

香港知識產權公報

Hong Kong Intellectual Property Journal

2020年1月3日

03 January 2020



目錄 Contents

根據註冊外觀設計條例第 25 條註冊的外觀設計

Designs Registered under section 25 of the Registered Designs Ordinance

按註冊編號排列

Arranged by Registration Number

根據註冊外觀設計條例(第 522 章)公布的其他公告

Other Notices Published under the Registered Designs Ordinance (Cap. 522)

根據註冊外觀設計條例第 28 條, 註冊外觀設計因未繳續期費而停止有效

Registered designs ceased through non-payment of renewal fees under section 28 of the Registered Designs Ordinance

根據註冊外觀設計規則第 31 條刪除的註冊外觀設計

Registered designs removed under section 31 of the Registered Designs Rules

以下事項沒有記錄

No Records for the Following Matters

根據註冊外觀設計條例第 30 條放棄的外觀設計的註冊

Surrender of Registration of Design under section 30 of the Registered Designs Ordinance

根據註冊外觀設計規則第 37 條, 向處長作出轉介

Reference to Registrar under section 37 of the Registered Designs Rules

根據註冊外觀設計條例第 45 條, 撤銷註冊

Revocation of Registration under section 45 of the Registered Designs Ordinance

根據註冊外觀設計規則第 46 條，向法院作出轉介
Reference to Court under section 46 of the Registered Designs Rules

根據註冊外觀設計規則第 63 條對不符合規定之處作出糾正
Rectification of Irregularities under section 63 of the Registered Designs Rules

根據註冊外觀設計條例第 66 條，糾正註冊紀錄冊
Rectification of Register under section 66 of the Registered Designs Ordinance

根據註冊外觀設計條例第 67 條，更正註冊紀錄冊內的錯誤
Correction of Errors in Register under section 67 of the Registered Designs Ordinance

根據註冊外觀設計條例第 67 及 76 條，更正註冊紀錄冊內及已提交文件中的錯誤
Correction of Errors in Register and in Filed Documents under sections
67 and 76 of the Registered Designs Ordinance

根據註冊外觀設計條例第 76 條，更正已提交文件中的錯誤
Correction of Errors in Filed Documents under section 76 of the Registered Designs
Ordinance

勘誤
Corrigendum

註冊外觀設計公告註釋

Notes on advertisements of registration of designs

方括號表示下列資料：

Square brackets indicate the following data：

- [11] 註冊編號 Registration number / 聯合王國註冊編號 United Kingdom registration number
- [15] 註冊日期 Registration date / 當作註冊日期 Deemed registration date / 聯合王國註冊日期 United Kingdom registration date
- [17] 註冊有效期屆滿日期 Expiry date of the period of registration
- [22] 提交日期 Filing date / 當作提交日期 Deemed filing date / 聯合王國提交日期 United Kingdom filing date
- [30] 聲稱享有的優先權 (提交日期 / 巴黎公約國或世界貿易組織成員 / 申請編號) Priority claimed (filing date / Paris Convention country or WTO member / application number)
- [51] 國際外觀設計分類號 (洛迦諾分類號) International Classification of designs (Locarno Classification)
- [54] 物品 Article
- [55] 外觀設計的表述 Representation of the design
- [62] 分開前的申請編號及提交日期 Application number before division and filing date
- [66] 過往註冊的聯繫外觀設計註冊編號 / 日期 Registration No. / Date of Previous Registration for Association
- [72] 設計人 Designer

[73] 擁有人姓名和地址 Name and address of the owner

[74] 代理人 Agent /送達地址 Address for service



香港特別行政區政府知識產權署外觀設計註冊處

The Government of the Hong Kong Special Administrative Region

Designs Registry, Intellectual Property Department

根據註冊外觀設計條例第25條註冊的外觀設計

Designs registered under section 25 of the Registered Designs Ordinance

按註冊編號排列

Arranged by Registration Number

[11] 1802495.0

[15] 20-12-2018

[51] Cl. 3-01

[54] 袋

Bag

[73] LOUIS VUITTON MALLETIER

2, rue du Pont-Neuf 75001 Paris,

FRANCE

[74] BAKER & MCKENZIE

14th Floor, One Taikoo Place

979 King's Road, Quarry Bay

HONG KONG



[11] 1913474.9

[15] 18-04-2019

[51] Cl. 24-01

[54] 醫療用盒

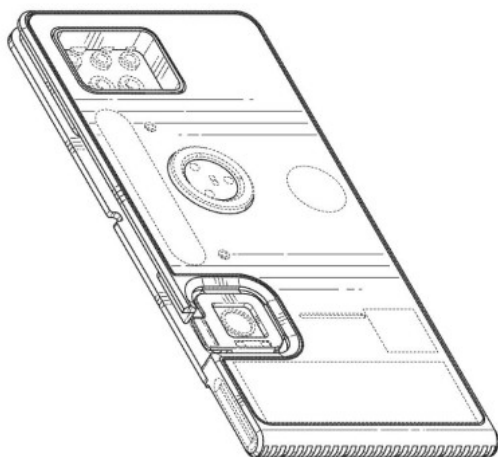
Cartridge for medical use

[73] Talis Biomedical Corporation

230 Constitution Drive,
Menlo Park, CA 94025, Delaware,
UNITED STATES

[74] HONG KONG INTELLECTUAL PROPERTY AGENT LIMITED

Unit 230, 2/F, Building 12W, No. 12 Science Park West Avenue,
Phase 3, Hong Kong Science Park, Pak Shek Kok, N.T.,
HONG KONG



[11] 1913484.0

[15] 19-04-2019

[30] 28-11-2018 / CN / 201830681127.3

[51] Cl. 3-01

[54] 手機保護套

Protection cover for cellphone

[73] 克裡斯托夫·傑克布庫

Christophe Jakobuco 中
國內地 廣東省廣州市白雲區
人和鎮 東華村北區華興西路
自編 6 號

[74] 哲力(中國)知識產權代理有限公司

香港
九龍旺角彌敦道 707-713 號 銀高國際
大廈 9 樓 A9 室



[11] 1913485.3

[15] 19-04-2019

[30] 06-12-2018 / CN / 201830702408.2

[51] Cl. 3-01

[54] 手機保護套

Protection cover for cellphone

[73] 克裡斯托夫·傑克布庫

Christophe Jakobuco 中

國內地 廣東省廣州市白雲區

人和鎮 東華村北區華興西路

自編 6 號

[74] 哲力(中國)知識產權代理有限公司

香港

九龍旺角彌敦道 707-713 號 銀高國際

大廈 9 樓 A9 室



[11] 1913519.7

[15] 24-04-2019

[30] 23-01-2019 / EM / 006081758-0001

[51] Cl. 21-01

[54] 用於搖椅的玩具

Toy for bouncer

[73] BabyBjörn AB

Box 913

170 09 SOLNA

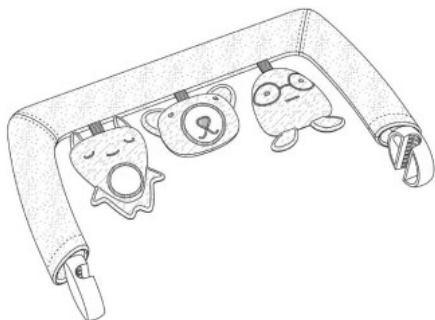
SWEDEN

[74] WENPING & CO

1701 Tung Wai Commercial Building,

111 Gloucester Road,

HONG KONG



[11] 1913557.7M001

[15] 30-04-2019

[51] Cl. 13-02

[54] 快充移動充電器

Quick charging power bank

[73] DESIGN POOL LIMITED

2/F, Eastown Building

41 Lockhart Road, Wanchai

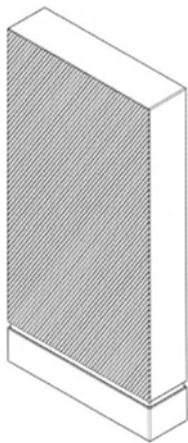
HONG KONG

[74] DESIGN POOL LIMITED

2/F, Eastown Building

41 Lockhart Road, Wanchai

HONG KONG



[11] 1913557.7M002

[15] 30-04-2019

[51] Cl. 13-02

[54] 快充移動充電器

Quick charging power bank

[73] DESIGN POOL LIMITED

2/F, Eastown Building

41 Lockhart Road, Wanchai

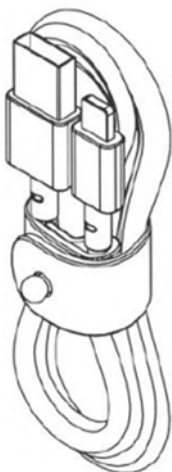
HONG KONG

[74] DESIGN POOL LIMITED

2/F, Eastown Building

41 Lockhart Road, Wanchai

HONG KONG



[11] 1913558.9M001

[15] 30-04-2019

[51] Cl. 13-02

[54] 雙頭快速充電器

2-ports quick charging charger

[73] DESIGN POOL LIMITED

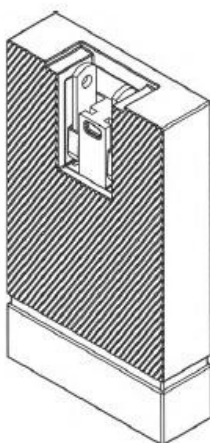
2/F, Eastown Building, 41 Lockhart Road , Wanchai

HONG KONG

[74] DESIGN POOL LIMITED

2/F, Eastown Building, 41 Lockhart Road, Wanchai

HONG KONG



[11] 1913558.9M002

[15] 30-04-2019

[51] Cl. 13-02

[54] 轉換插頭

Adapter

[73] DESIGN POOL LIMITED

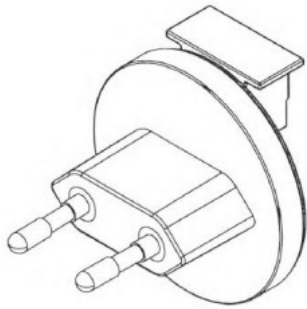
2/F, Eastown Building, 41 Lockhart Road , Wanchai

HONG KONG

[74] DESIGN POOL LIMITED

2/F, Eastown Building, 41 Lockhart Road, Wanchai

HONG KONG



[11] 1913558.9M003

[15] 30-04-2019

[51] Cl. 13-02

[54] 轉換插頭

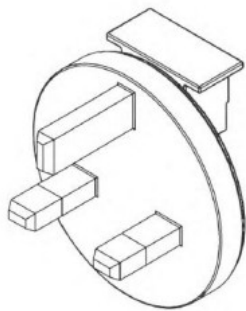
Adapter

[73] DESIGN POOL LIMITED

2/F, Eastown Building, 41 Lockhart Road, Wanchai
HONG KONG

[74] DESIGN POOL LIMITED

2/F, Eastown Building, 41 Lockhart Road, Wanchai
HONG KONG



[11] 1913558.9M004

[15] 30-04-2019

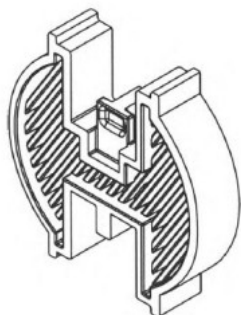
[51] Cl. 13-02

[54] 轉換插頭固定座

An adapter holder

[73] DESIGN POOL LIMITED
2/F, Eastown Building, 41 Lockhart Road , Wanchai
HONG KONG

[74] DESIGN POOL LIMITED
2/F, Eastown Building, 41 Lockhart Road, Wanchai
HONG KONG



[11] 1913762.1

[15] 28-05-2019

[30] 25-04-2019 / CN / 201930195820.4

[51] C1. 13-03

[54] 多功能轉接器

Multi-functional adapter

[73] 廣東高普達集團股份有限公司

GUANGDONG GOPOD GROUP CO., LTD.

中國內地 廣東省深圳市龍華新區大浪街道

同勝社區 華榮路聯建科技工業園廠房 8 棟

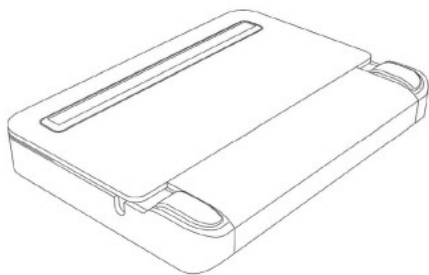
4,5,6 樓

[74] 中一聯合國際知識產權有限公司

香港

香港九龍尖沙咀漆咸道南 45-51 號

其士大廈 803 室



- [11] 1913780.9
[15] 30-05-2019
[51] Cl. 10-05
[54] 申請證件服務站
Travel document submission kiosk
[73] 香港特別行政區政府
The Government of the Hong Kong Special
Administrative Region
香港
灣仔告士打道 7 號
入境事務大樓
1918 室
[74] 羅俊彥
香港
灣仔告士打道 7 號
入境事務大樓
1918 室



-
- [11] 1913896.5M001
[15] 06-06-2019
[51] Cl. 3-01
[54] 蛋撻型收納盒
Egg tart storage case
[73] MORITO SCOVILL HK CO LTD.
香港
九龍觀塘海濱道 143 號
中國航天科技中心 3 樓
[74] MORITO SCOVILL HK CO LTD.
香港

九龍觀塘海濱道 143 號
中國航天科技中心 3 樓



[11] 1913896.5M002

[15] 06-06-2019

[51] Cl. 3-01

[54] 蛋撻型收納袋

Egg tart storage pouch

[73] MORITO SCOVILL HK CO LTD.

香港

九龍觀塘海濱道 143 號

中國航天科技中心 3 樓

[74] MORITO SCOVILL HK CO LTD.

香港

九龍觀塘海濱道 143 號

中國航天科技中心 3 樓



[11] 1913897.7M001

[15] 06-06-2019

[51] Cl. 3-01

- [54] 花占餅外型收納盒
Ice gem biscuit case
- [73] MORITO SCOVILL HK CO LTD.
香港
九龍觀塘海濱道 143 號
中國航天科技中心 3 樓
- [74] MORITO SCOVILL HK CO LTD.
香港
九龍觀塘海濱道 143 號
中國航天科技中心 3 樓



-
- [11] 1913897.7M002
- [15] 06-06-2019
- [51] Cl. 3-01
- [54] 花占餅外型收納袋
Ice gem biscuit pouch
- [73] MORITO SCOVILL HK CO LTD.
香港
九龍觀塘海濱道 143 號
中國航天科技中心 3 樓
- [74] MORITO SCOVILL HK CO LTD.
香港
九龍觀塘海濱道 143 號
中國航天科技中心 3 樓



[11] 1913953.6

[15] 12-06-2019

[30] 24-12-2018 / KR / 30-2018-0061241

[51] Cl. 27-07

[54] 電子煙

Electronic cigarette

[73] KT&G Corporation

71, Beotkkot-gil,

Daedeok-gu, Daejeon

KOREA, REPUBLIC OF

[74] Luo & Jia Intellectual Property Limited

9B, Cheong Tai Commercial Building,

66 Wing Lok Street, Sheung Wan,

HONG KONG



[11] 1914006.0

[15] 17-06-2019

[51] Cl. 3-01

[54] 袋

Bag

[73] LOUIS VUITTON MALLETIER

2 rue du Pont-Neuf

75001 Paris

FRANCE

[74] BAKER & MCKENZIE

14TH FLOOR, ONE TAIKOO PLACE,

979 KING'S ROAD, QUARRY BAY,

HONG KONG



[11] 1914079.3

[15] 25-06-2019

[30] 25-01-2019 / CN / 201930043501.1

[51] Cl. 2-01

[54] 胸罩

Brassiere

[73] 安莉芳(中國)服裝有限公司

Embry (China) Garments Limited

5th Floor East, Block A, Cuishan Industrial Area, 2063

Jindaotian Road; 14th Floor West, 17th and

18th Floors, Block B, CMEC Plaza, No. 1028 Buji Road, Dongxiao

Street, Luohu District, Shenzhen

CHINA

[74] SPRUSON & FERGUSON (HONG KONG) LIMITED

5001 Hopewell Centre

183 Queen's Road East, Wan Chai

HONG KONG



[11] 1914108.6

[15] 02-07-2019

[30] 30-04-2019 / CN / 201930210754.3

[51] Cl. 14-01

[54] 藍牙音箱

Bluetooth Speaker [73]

深圳市雲動創想科技有限公司

中國內地

廣東省深圳市南山區粵海街道科技園科技路9號螞蟻邦創業加速中心 616 單元

[74] HK STANDARD INTELLECTUAL PROPERTY LIMITED

香港

中環幹諾道中 64 號

中華廠商會大廈 21 樓



[11] 1914135.3M001

[15] 05-07-2019

- [30] 15-03-2019 / US / 29/683,768
- [51] Cl. 14-03
Cl. 14-02
Cl. 14-01
- [54] 電子裝置
Electronic device
- [73] 蘋果公司
APPLE INC.
ONE APPLE PARK WAY
CUPERTINO, CALIFORNIA 95014
UNITED STATES
- [74] CLT PATENT & TRADEMARK (H.K.) LIMITED
Unit 09, 34/F., Office Tower, Convention Plaza
No. 1 Harbour Road, Wanchai
HONG KONG



-
- [11] 1914135.3M002
- [15] 05-07-2019
- [30] 15-03-2019 / US / 29/683,768
- [51] Cl. 14-03
Cl. 14-02
Cl. 14-01
- [54] 電子裝置
Electronic device
- [73] 蘋果公司
APPLE INC.
ONE APPLE PARK WAY
CUPERTINO, CALIFORNIA 95014
UNITED STATES
- [74] CLT PATENT & TRADEMARK (H.K.) LIMITED
Unit 09, 34/F., Office Tower, Convention Plaza
No. 1 Harbour Road, Wanchai
HONG KONG



[11] 1914135.3M003

[15] 05-07-2019

[30] 15-03-2019 / US / 29/683,768

[51] Cl. 14-03

Cl. 14-02

Cl. 14-01

[54] 電子裝置

Electronic device

[73] 蘋果公司

APPLE INC.

ONE APPLE PARK WAY

CUPERTINO, CALIFORNIA 95014

UNITED STATES

[74] CLT PATENT & TRADEMARK (H.K.) LIMITED

Unit 09, 34/F., Office Tower, Convention Plaza

No. 1 Harbour Road, Wanchai

HONG KONG



[11] 1914135.3M004

[15] 05-07-2019

[30] 15-03-2019 / US / 29/683,768

[51] Cl. 14-03

Cl. 14-02

Cl. 14-01

[54] 電子裝置

Electronic device

[73] 蘋果公司

APPLE INC.

ONE APPLE PARK WAY

CUPERTINO, CALIFORNIA 95014

UNITED STATES

[74] CLT PATENT & TRADEMARK (H.K.) LIMITED

Unit 09, 34/F., Office Tower, Convention Plaza

No. 1 Harbour Road, Wanchai

HONG KONG



[11] 1914135.3M005

[15] 05-07-2019

[30] 15-03-2019 / US / 29/683,768

[51] Cl. 14-03

Cl. 14-02

Cl. 14-01

[54] 電子裝置

Electronic device

[73] 蘋果公司

APPLE INC.

ONE APPLE PARK WAY

CUPERTINO, CALIFORNIA 95014

UNITED STATES

[74] CLT PATENT & TRADEMARK (H.K.) LIMITED
Unit 09, 34/F., Office Tower, Convention Plaza
No. 1 Harbour Road, Wanchai
HONG KONG



[11] 1914135.3M006

[15] 05-07-2019

[30] 15-03-2019 / US / 29/683,768

[51] Cl. 14-03

Cl. 14-02

Cl. 14-01

[54] 電子裝置

Electronic device

[73] 蘋果公司

APPLE INC.

ONE APPLE PARK WAY

CUPERTINO, CALIFORNIA 95014

UNITED STATES

[74] CLT PATENT & TRADEMARK (H.K.) LIMITED

Unit 09, 34/F., Office Tower, Convention Plaza

No. 1 Harbour Road, Wanchai

HONG KONG



[11] 1914137.7

[15] 05-07-2019

[51] Cl. 9-03

[54] 面膜包裝

Face mask packaging

[73] WAI LAM (HK) CO LTD

Rm 1121, Block B, 11/F,

Chuan Yuan Factory Building, 342-344 Kwun Tong Rd,

Ngau Tau Kok, HONG KONG

[74] WING KI BUT

Rm 1121, Block B, 11/F,

Chuan Yuan Factory Building, 342-344 Kwun Tong Rd,

Ngau Tau Kok, HONG KONG



[11] 1914143.9

[15] 06-07-2019

[51] Cl. 11-01

[54] 戒指

A ring

[73] RING STORY JEWELLERY COMPANY LIMITED
Rm C&D,16/F.,
No. 8 Hart Avenue, TST, KL
HONG KONG

[74] BKCS INTELLECTUAL PROPERTY LIMITED
OFFICE 02, 13/F., KOON FOOK CENTRE
NO.9 KNUTFORD TERRACE, TST, KLN
HONG KONG



[11] 1914145.4

[15] 07-07-2019

[30] 08-01-2019 / EU, MC, MA, SG, CH, UA, TR / DM/200469

[51] Cl. 10-02

[54] 錶
Watch

[73] PARMIGIANI FLEURIER SA
11, Rue du Temple
2114 FLEURIER
SWITZERLAND

[74] UNION PATENT SERVICE CENTRE
Units E-F, 20th Floor, Neich Tower,
128 Gloucester Road,
HONG KONG



[11] 1914147.8M001

[15] 08-07-2019

[30] 25-02-2019 / DE / 40 2019 100 225.1

[51] Cl. 12-08

[54] 汽車

Motor vehicle

[73] VOLKSWAGEN AKTIENGESELLSCHAFT

38436 WOLFSBURG

GERMANY

[74] CHINA PATENT AGENT (HONG KONG) LIMITED

22/F, Great Eagle Centre, 23 Harbour Road, Wanchai

HONG KONG



[11] 1914147.8M002

[15] 08-07-2019

[30] 25-02-2019 / DE / 402019100225.1

[51] Cl. 12-08

[54] 汽車

Motor vehicle

[73] VOLKSWAGEN AKTIENGESELLSCHAFT
38436 WOLFSBURG
GERMANY

[74] CHINA PATENT AGENT (HONG KONG) LIMITED
22/F, Great Eagle Centre, 23 Harbour Road, Wanchai
HONG KONG



[11] 1914147.8M003

[15] 08-07-2019

[30] 25-02-2019 / DE / 402019100225.1

[51] Cl. 12-08

[54] 汽車

Motor vehicle

[73] VOLKSWAGEN AKTIENGESELLSCHAFT
38436 WOLFSBURG
GERMANY

[74] CHINA PATENT AGENT (HONG KONG) LIMITED
22/F, Great Eagle Centre, 23 Harbour Road, Wanchai
HONG KONG



[11] 1914151.6M001

[15] 08-07-2019

[51] Cl. 11-01

[54] 手鏈

Bracelet

[73] 老鋪黃金(香港)有限公司
LAO PU (HONG KONG) COMPANY LIMITED
Room 801-2, 8/F, Easey Commercial Building,
253-261 Hennessy Road, Wanchai,
HONG KONG

[74] SF LAWYERS
UNIT 1125-1127, PRINCE'S BUILDING,
10 CHATER ROAD, CENTRAL,
HONG KONG



[11] 1914151.6M002

[15] 08-07-2019

[51] Cl. 11-01

[54] 手鏈

Bracelet

[73] 老鋪黃金(香港)有限公司
LAO PU (HONG KONG) COMPANY LIMITED
Room 801-2, 8/F, Easey Commercial Building,
253-261 Hennessy Road, Wanchai,
HONG KONG

[74] SF LAWYERS
UNIT 1125-1127, PRINCE'S BUILDING,
10 CHATER ROAD, CENTRAL,
HONG KONG



[11] 1914151.6M003

[15] 08-07-2019

[51] Cl. 11-01

[54] 手鏈

Bracelet

[73] 老鋪黃金(香港)有限公司

LAO PU (HONG KONG) COMPANY LIMITED

Room 801-2, 8/F, Easey Commercial Building,

253-261 Hennessy Road, Wanchai,

HONG KONG

[74] SF LAWYERS

UNIT 1125-1127, PRINCE'S BUILDING,

10 CHATER ROAD, CENTRAL,

HONG KONG



[11] 1914151.6M004

[15] 08-07-2019

[51] Cl. 11-01

[54] 手鏈

Bracelet

[73] 老鋪黃金(香港)有限公司

LAO PU (HONG KONG) COMPANY LIMITED

Room 801-2, 8/F, Easey Commercial Building,

253-261 Hennessy Road, Wanchai,

HONG KONG

[74] SF LAWYERS

UNIT 1125-1127, PRINCE'S BUILDING,

10 CHATER ROAD, CENTRAL,

HONG KONG



[11] 1914151.6M005

[15] 08-07-2019

[51] Cl. 11-01

[54] 手鏈

Bracelet

[73] 老鋪黃金(香港)有限公司

LAO PU (HONG KONG) COMPANY LIMITED

Room 801-2, 8/F, Easey Commercial Building,

253-261 Hennessy Road, Wanchai,

HONG KONG

[74] SF LAWYERS

UNIT 1125-1127, PRINCE'S BUILDING,

10 CHATER ROAD, CENTRAL,

HONG KONG



[11] 1914153.0M001

[15] 08-07-2019

[51] Cl. 11-01

[54] 吊墜

Pendant

[73] 老鋪黃金(香港)有限公司

LAO PU (HONG KONG) COMPANY LIMITED

Room 801-2, 8/F, Easey Commercial Building,

253-261 Hennessy Road, Wanchai,

HONG KONG

[74] SF LAWYERS

UNIT 1125-1127, PRINCE'S BUILDING,

10 CHATER ROAD, CENTRAL,

HONG KONG



[11] 1914153.0M002

[15] 08-07-2019

[51] Cl. 11-01

[54] 吊墜

Pendant

[73] 老鋪黃金(香港)有限公司

LAO PU (HONG KONG) COMPANY LIMITED

Room 801-2, 8/F, Easey Commercial Building,

253-261 Hennessy Road, Wanchai,

HONG KONG

[74] SF LAWYERS

UNIT 1125-1127, PRINCE'S BUILDING,

10 CHATER ROAD, CENTRAL,

HONG KONG



[11] 1914153.0M003

[15] 08-07-2019

[51] Cl. 11-01

[54] 吊墜

Pendant

[73] 老鋪黃金(香港)有限公司

LAO PU (HONG KONG) COMPANY LIMITED

Room 801-2, 8/F, Easey Commercial Building,

253-261 Hennessy Road, Wanchai,
HONG KONG

[74] SF LAWYERS
UNIT 1125-1127, PRINCE'S BUILDING,
10 CHATER ROAD, CENTRAL,
HONG KONG



[11] 1914153.0M004

[15] 08-07-2019

[51] Cl. 11-01

[54] 吊墜
Pendant

[73] 老鋪黃金(香港)有限公司
LAO PU (HONG KONG) COMPANY LIMITED
Room 801-2, 8/F, Easey Commercial Building,
253-261 Hennessy Road, Wanchai,
HONG KONG

[74] SF LAWYERS
UNIT 1125-1127, PRINCE'S BUILDING,
10 CHATER ROAD, CENTRAL,
HONG KONG



[11] 1914153.0M005

[15] 08-07-2019

[51] Cl. 11-01

[54] 吊墜

Pendant

[73] 老鋪黃金(香港)有限公司

LAO PU (HONG KONG) COMPANY LIMITED

Room 801-2, 8/F, Easey Commercial Building,

253-261 Hennessy Road, Wanchai,

HONG KONG

[74] SF LAWYERS

UNIT 1125-1127, PRINCE'S BUILDING,

10 CHATER ROAD, CENTRAL,

HONG KONG



[11] 1914153.0M006

[15] 08-07-2019

[51] Cl. 11-01

[54] 吊墜

Pendant

[73] 老鋪黃金(香港)有限公司

LAO PU (HONG KONG) COMPANY LIMITED

Room 801-2, 8/F, Easey Commercial Building,

253-261 Hennessy Road, Wanchai,

HONG KONG

[74] SF LAWYERS

UNIT 1125-1127, PRINCE'S BUILDING,

10 CHATER ROAD, CENTRAL,

HONG KONG



[11] 1914153.0M007

[15] 08-07-2019

[51] Cl. 11-01

[54] 吊墜

Pendant

[73] 老鋪黃金(香港)有限公司

LAO PU (HONG KONG) COMPANY LIMITED

Room 801-2, 8/F, Easey Commercial Building,

253-261 Hennessy Road, Wanchai,

HONG KONG

[74] SF LAWYERS

UNIT 1125-1127, PRINCE'S BUILDING,

10 CHATER ROAD, CENTRAL,

HONG KONG



[11] 1914153.0M008

[15] 08-07-2019

[51] Cl. 11-01

[54] 吊墜

Pendant

[73] 老鋪黃金(香港)有限公司

LAO PU (HONG KONG) COMPANY LIMITED

Room 801-2, 8/F, Easey Commercial Building,
253-261 Hennessy Road, Wanchai,
HONG KONG

[74] SF LAWYERS
UNIT 1125-1127, PRINCE'S BUILDING,
10 CHATER ROAD, CENTRAL,
HONG KONG



[11] 1914153.0M009

[15] 08-07-2019

[51] Cl. 11-01

[54] 吊墜

Pendant

[73] 老鋪黃金(香港)有限公司
LAO PU (HONG KONG) COMPANY LIMITED
Room 801-2, 8/F, Easey Commercial Building,
253-261 Hennessy Road, Wanchai,
HONG KONG

[74] SF LAWYERS
UNIT 1125-1127, PRINCE'S BUILDING,
10 CHATER ROAD, CENTRAL,
HONG KONG



[11] 1914153.0M010

[15] 08-07-2019

[51] Cl. 11-01

[54] 吊墜

Pendant

[73] 老鋪黃金(香港)有限公司

LAO PU (HONG KONG) COMPANY LIMITED

Room 801-2, 8/F, Easey Commercial Building,

253-261 Hennessy Road, Wanchai,

HONG KONG

[74] SF LAWYERS

UNIT 1125-1127, PRINCE'S BUILDING,

10 CHATER ROAD, CENTRAL,

HONG KONG



[11] 1914153.0M011

[15] 08-07-2019

[51] Cl. 11-01

[54] 吊墜

Pendant

[73] 老鋪黃金(香港)有限公司

LAO PU (HONG KONG) COMPANY LIMITED

Room 801-2, 8/F, Easey Commercial Building,

253-261 Hennessy Road, Wanchai,

HONG KONG

[74] SF LAWYERS

UNIT 1125-1127, PRINCE'S BUILDING,

10 CHATER ROAD, CENTRAL,

HONG KONG



[11] 1914153.0M012

[15] 08-07-2019

[51] Cl. 11-01

[54] 吊墜

Pendant

[73] 老鋪黃金(香港)有限公司

LAO PU (HONG KONG) COMPANY LIMITED

Room 801-2, 8/F, Easey Commercial Building,

253-261 Hennessy Road, Wanchai,

HONG KONG

[74] SF LAWYERS

UNIT 1125-1127, PRINCE'S BUILDING,

10 CHATER ROAD, CENTRAL,

HONG KONG



[11] 1914155.5

[15] 08-07-2019

[51] Cl. 19-03

[54] 掛牆式日歷

Wall calendar

[73] 東亞飾品實業有限公司

EAST ASIA ORNAMENT INDUSTRIAL COMPANY LIMITED
UNITS 9-10, 9/F, LAURELS INDUSTRIAL CENTRE,
32 TAI YAU ST., SAN PO KONG, KL
HONG KONG

[74] CONPAK INTELLECTUAL PROPERTY LIMITED

Rooms 05-15, 13A/F, South Tower, World Finance Centre, Harbour
City,
17 Canton Road, Tsim Sha Tsui, Kowloon
HONG KONG



[11] 1914157.9M001

[15] 09-07-2019

[30] 10-01-2019 / EU, CH, US / WIPO79028

[51] Cl. 19-06

[54] 鋼筆

Fountain pen

[73] MONTBLANC-SIMPLO GMBH

HELLGRUNDWEG 100

22525 HAMBURG

GERMANY

[74] CHINA PATENT AGENT (HONG KONG) LIMITED

22/F, Great Eagle Centre, 23 Harbour Road, Wanchai

HONG KONG



[11] 1914157.9M002

[15] 09-07-2019

[30] 10-01-2019 / EU, CH, US / WIPO79028

[51] Cl. 19-06

[54] 原子筆

Ballpoint pen

[73] MONTBLANC-SIMPLO GMBH

HELLGRUNDWEG 100

22525 HAMBURG

GERMANY

[74] CHINA PATENT AGENT (HONG KONG) LIMITED

22/F, Great Eagle Centre, 23 Harbour Road, Wanchai

HONG KONG



[11] 1914159.3

[15] 09-07-2019

[51] Cl. 9-03

[54] 急凍大虎蝦包裝盒

Packaging box of frozen jumbo tiger shrimp

[73] Onric Development Company Ltd.

香港

香港仔田灣海旁道 7 號 興偉

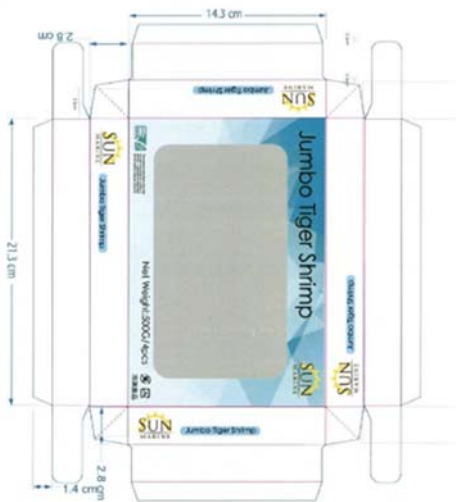
工業中心 6 樓 613B 室

[74] Onric Development Company Ltd.

香港

香港仔田灣海旁道 7 號 興偉

工業中心 6 樓 613B 室



[11] 1914161.7

[15] 09-07-2019

[51] Cl. 9-03

[54] 急凍虎蝦肉包裝袋

Packaging bag of frozen black tiger prawn meat

[73] Onric Development Company Ltd.

香港

香港仔田灣海旁道 7 號 興偉

工業中心 6 樓 613B 室

[74] Onric Development Company Ltd.

香港

香港仔田灣海旁道 7 號 興偉

工業中心 6 樓 613B 室



[11] 1914163.1

[15] 09-07-2019

[51] Cl. 9-03

[54] 急凍鯖魚柳包裝袋

Packaging bag of frozen mackerel fillet

[73] Onric Development Company Ltd.

香港

香港仔田灣海旁道 7 號 興偉

工業中心 6 樓 613B 室

[74] Onric Development Company Ltd.

香港

香港仔田灣海旁道 7 號 興偉

工業中心 6 樓 613B 室



[11] 1914165.6

[15] 09-07-2019

[51] Cl. 9-03

[54] 急凍大虎蝦包裝盒
Packaging box of frozen giant tiger prawn

[73] JL Marine Products Company Ltd.
香港
香港仔田灣海旁道 7 號
興偉工業中心 5 樓 17 室

[74] JL Marine Products Company Ltd.
香港
香港仔田灣海旁道 7 號
興偉工業中心 5 樓 17 室



[11] 1914167.0

[15] 09-07-2019

[51] Cl. 9-03

[54] 急凍帶尾黑虎蝦肉包裝袋
Packaging bag of frozen tail on black tiger prawn
meat

[73] Leader Marine Products Trading Ltd.
香港
香港仔田灣海旁道 7 號 興偉
工業中心 6 樓 613B 室

[74] Leader Marine Products Trading Ltd.
香港
香港仔田灣海旁道 7 號 興偉
工業中心 6 樓 613B 室



[11] 1914169.4

[15] 09-07-2019

[51] Cl. 9-03

[54] 急凍珍寶虎蝦包裝盒

Packaging box of frozen jumbo tiger shrimp

[73] Leader Marine Products Trading Ltd.

香港

香港仔田灣海旁道 7 號 興偉

工業中心 6 樓 613B 室

[74] Leader Marine Products Trading Ltd.

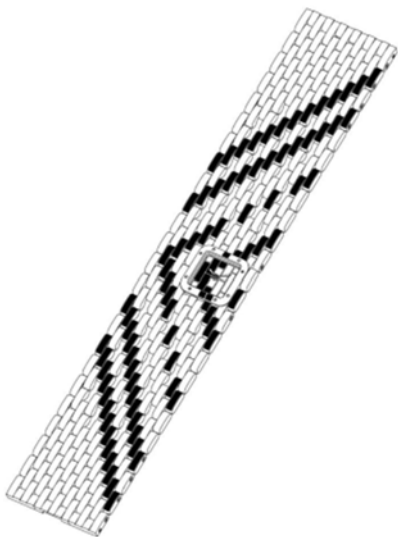
香港

香港仔田灣海旁道 7 號 興偉

工業中心 6 樓 613B 室



- [11] 1914171.8M001
[15] 09-07-2019
[30] 11-01-2019 / EU, MA, SG, CH, GB, TR / DM/200895
[51] Cl. 10-02
[54] 手錶
Wristwatch
[73] CARTIER INTERNATIONAL AG
Hinterbergstrasse 22
6312 Steinhausen
SWITZERLAND
[74] UNION PATENT SERVICE CENTRE
Units E-F, 20th Floor, Neich Tower,
128 Gloucester Road,
HONG KONG



-
- [11] 1914171.8M002
[15] 09-07-2019
[30] 11-01-2019 / EU, MA, SG, CH, GB, TR / DM/200895
[51] Cl. 10-02
[54] 手錶
Wristwatch
[73] CARTIER INTERNATIONAL AG
Hinterbergstrasse 22
6312 Steinhausen
SWITZERLAND
[74] UNION PATENT SERVICE CENTRE
Units E-F, 20th Floor, Neich Tower,
128 Gloucester Road,
HONG KONG



[11] 1914171.8M003

[15] 09-07-2019

[30] 11-01-2019 / EU, MA, SG, CH, GB, TR / DM/200895

[51] Cl. 10-02

[54] 錶

Watch

[73] CARTIER INTERNATIONAL AG

Hinterbergstrasse 22

6312 Steinhausen

SWITZERLAND

[74] UNION PATENT SERVICE CENTRE

Units E-F, 20th Floor, Neich Tower,

128 Gloucester Road,

HONG KONG



- [11] 1914171.8M004
[15] 09-07-2019
[30] 11-01-2019 / EU, MA, SG, CH, GB, TR / DM/200895
[51] Cl. 10-02
[54] 錶
Watch
[73] CARTIER INTERNATIONAL AG
Hinterbergstrasse 22
6312 Steinhausen
SWITZERLAND
[74] UNION PATENT SERVICE CENTRE
Units E-F, 20th Floor, Neich Tower,
128 Gloucester Road,
HONG KONG



-
- [11] 1914171.8M005
[15] 09-07-2019
[30] 11-01-2019 / EU, MA, SG, CH, GB, TR / DM/200895
[51] Cl. 10-02
[54] 錶
Watch
[73] CARTIER INTERNATIONAL AG
Hinterbergstrasse 22
6312 Steinhausen
SWITZERLAND
[74] UNION PATENT SERVICE CENTRE
Units E-F, 20th Floor, Neich Tower,
128 Gloucester Road,
HONG KONG



[11] 1914171.8M006

[15] 09-07-2019

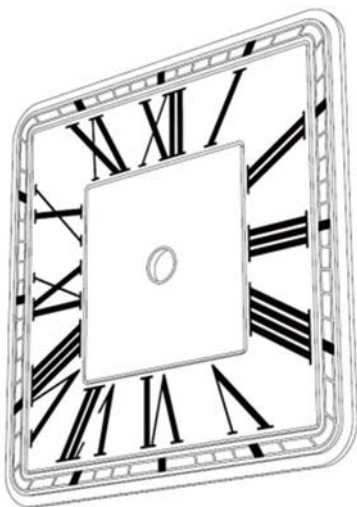
[30] 11-01-2019 / EU, MA, SG, CH, GB, TR / DM/200895

[51] Cl. 10-07

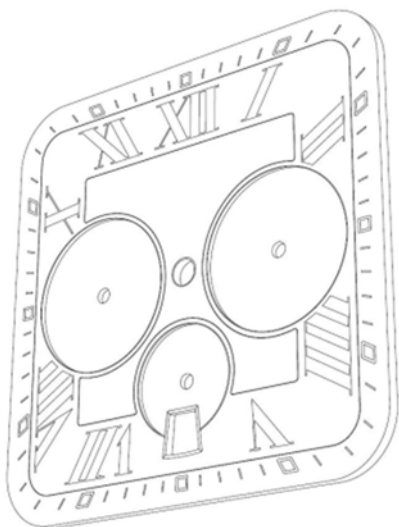
[54] 錶面
Watch dial

[73] CARTIER INTERNATIONAL AG
Hinterbergstrasse 22
6312 Steinhausen
SWITZERLAND

[74] UNION PATENT SERVICE CENTRE
Units E-F, 20th Floor, Neich Tower,
128 Gloucester Road,
HONG KONG



- [11] 1914171.8M007
[15] 09-07-2019
[30] 11-01-2019 / EU, MA, SG, CH, GB, TR / DM/200895
[51] Cl. 10-07
[54] 錶面
Watch dial
[73] CARTIER INTERNATIONAL AG
Hinterbergstrasse 22
6312 Steinhausen
SWITZERLAND
[74] UNION PATENT SERVICE CENTRE
Units E-F, 20th Floor, Neich Tower,
128 Gloucester Road,
HONG KONG



-
- [11] 1914173.2
[15] 09-07-2019
[30] 11-02-2019 / EU / 006221545-0002
[51] Cl. 26-05
[54] 工作燈
Work lamp
[73] 上海智匯電器有限公司
AEC Lighting Solutions Co., Ltd
中國內地 上海市
嘉定區
馬陸鎮寶安公路 2548 號
[74] 中港專利有限公司
港灣道 1 號會展廣場辦公大樓 30 樓 3012 室

HONG KONG

HONG KONG



[11] 1914175.7

[15] 09-07-2019

[30] 11-02-2019 / EU / 006221545-0007

[51] Cl. 26-05

[54] 工作燈

Work lamp

[73] 上海智匯電器有限公司

AEC Lighting Solutions Co., Ltd

中國 內地上海市

嘉定區

馬陸鎮寶安公路 2548 號

[74] 中港專利有限公司

港灣道 1 號會展廣場辦公大樓 30 樓 3012 室

HONG KONG

HONG KONG



[11] 1914179.5

[15] 09-07-2019

[51] Cl. 21-01

[54] 獅子玩具

Lion toy

[73] 孔慶新

KONG QINGXIN

Room 1210A, 12/F, Tower 2 Silvercord,
30 Canton Road, Tsimshatsui, Kowloon,
HONG KONG

[74] IP IMPETUS CONSULTANTS LIMITED

Unit 1101, Kai Tak Commercial Building,
317-319 Des Voeux Road Central,
HONG KONG



[11] 1914180.7

[15] 10-07-2019

[30] 10-01-2019 / US / 29/676,378

[51] Cl. 8-03

[54] 折疊刀

Folding knife

[73] 麥格普工業股份有限公司

MAGPUL INDUSTRIES CORPORATION

8226 BEE CAVES ROAD, AUSTIN, TX 78746

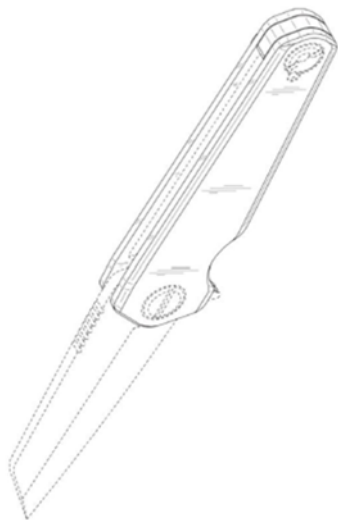
UNITED STATES

[74] CLT PATENT & TRADEMARK (H.K.) LIMITED

Unit 09, 34/F., Office Tower, Convention Plaza

No. 1 Harbour Road, Wanchai

HONG KONG



[11] 1914183.3M001

[15] 10-07-2019

[51] Cl. 23-04

[54] 蒸發式冷風機

Evaporative air cooler fan

[73] 新發電器製品(國際)有限公司

香港

屯門杯渡路 76 號

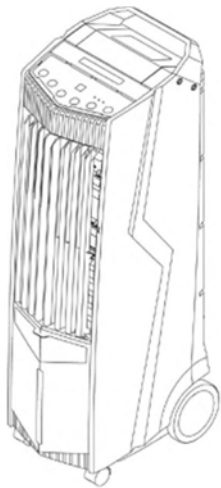
屯門工業中心 E 座一字樓二號室

[74] 新發電器製品(國際)有限公司

香港

屯門杯渡路 76 號

屯門工業中心 E 座一字樓二號室



[11] 1914183.3M002

[15] 10-07-2019

[51] Cl. 23-04

[54] 蒸發式冷風機

Evaporative air cooler fan

[73] 新發電器製品（國際）有限公司

香港

屯門杯渡路 76 號

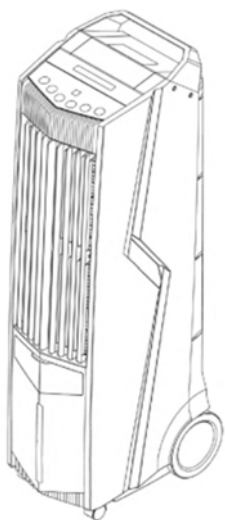
屯門工業中心 E 座一字樓二號室

[74] 新發電器製品（國際）有限公司

香港

屯門杯渡路 76 號

屯門工業中心 E 座一字樓二號室



[11] 1914186.0

[15] 10-07-2019

[51] Cl. 7-06

[54] 紙杯托

Paper Holder for Cup

[73] LEUNG Kam Tong

Rm 9A, Phase 2, Kwun Tong Ind Ctr
436-484 Kwun Tong Road, Kwun Tong
HONG KONG

[74] RIGHT IP LIMITED

2002 Jupiter Tower
9 Jupiter Street
HONG KONG



[11] 1914187.2

[15] 10-07-2019

[30] 01-02-2019 / US / 29/679,157

[51] Cl. 4-01

[54] 多用途拖把

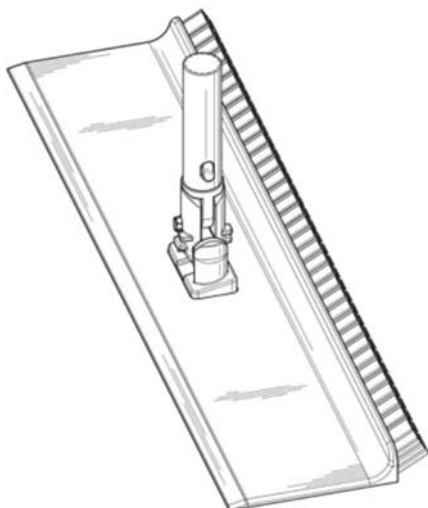
Multi-use mop

[73] AQUASTAR, INC.

13417 Benson Avenue,
Chino, CA 91710
UNITED STATES

[74] MELVIN LI INTELLECTUAL PROPERTY LIMITED

Level 23 Tesbury Centre
28 Queen's Road
Wan Chai
Hong Kong



[11] 1914188.4M001

[15] 10-07-2019

[30] 11-02-2019 / EU, AZ, MC, AL, AM, BZ, GE, BA, LI, MN, ME, MA,
NO, OM, MD, SG, CH, TN, UA, GB, TR, KG, MK / DM/200 703

[51] Cl. 11-01

[54] 指環
Ring

[73] Harry Winston SA
Chemin du Tourbillon 8, CH-1228 Plan-les-Ouates,
SWITZERLAND

[74] SPRUSON & FERGUSON (HONG KONG) LIMITED
5001 Hopewell Centre
183 Queen's Road East, Wan Chai
HONG KONG



[11] 1914188.4M002

[15] 10-07-2019

[30] 11-02-2019 / EU, AZ, MC, AL, AM, BZ, GE, BA, LI, MN, ME, MA,
NO, OM, MD, SG, CH, TN, UA, GB, TR, KG, MK / DM/200 703

[51] Cl. 11-01

[54] 指環
RING

[73] Harry Winston SA
Chemin du Tourbillon 8, CH-1228 Plan-les-Ouates,
SWITZERLAND

[74] SPRUSON & FERGUSON (HONG KONG) LIMITED
5001 Hopewell Centre
183 Queen's Road East, Wan Chai
HONG KONG



[11] 1914189.6M001

[15] 10-07-2019

[51] Cl. 13-02

[54] 充電器組合移動電源
Charger combo mobile power bank

[73] 創品科技有限公司
Inno3C Limited
香港
觀塘鴻圖道 41 號
華鴻工貿中心 1 座 8 樓

[74] 創品科技有限公司
香港
觀塘鴻圖道 41 號
華鴻工貿中心 1 座 8 樓



[11] 1914189.6M002

[15] 10-07-2019

[51] Cl. 13-02

[54] 移動電源組合充電底座

Power bank combo charging dock

[73] 創品科技有限公司

Inno3C Limited

香港

觀塘鴻圖道 41 號

華鴻工貿中心 1 座 8 樓

[74] 創品科技有限公司

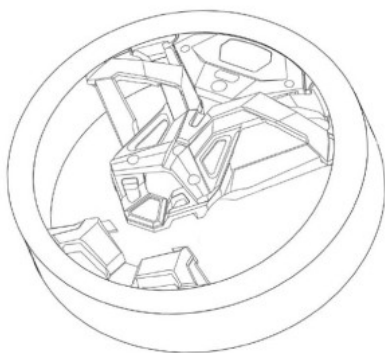
香港

觀塘鴻圖道 41 號

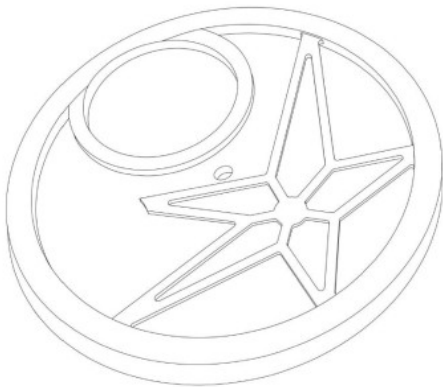
華鴻工貿中心 1 座 8 樓



- [11] 1914190.8
[15] 10-07-2019
[30] 11-01-2019 / EU, SG, CH, GB / DM/200626
[51] Cl. 10-07
[54] 錶面
Watch dial
[73] RICHEMONT INTERNATIONAL SA
Route des Biches 10
CH - 1752 Villars-sur-Glâne
SWITZERLAND
[74] WENPING & CO
1701 Tung Wai Commercial Building,
111 Gloucester Road,
HONG KONG



-
- [11] 1914191.0
[15] 10-07-2019
[30] 11-01-2019 / EU, SG, CH, GB / DM/201653
[51] Cl. 10-07
[54] 錶面
Watch dial
[73] RICHEMONT INTERNATIONAL SA
Route des Biches 10
CH - 1752 Villars-sur-Glâne
SWITZERLAND
[74] WENPING & CO
1701 Tung Wai Commercial Building,
111 Gloucester Road,
HONG KONG



[11] 1914192.2

[15] 10-07-2019

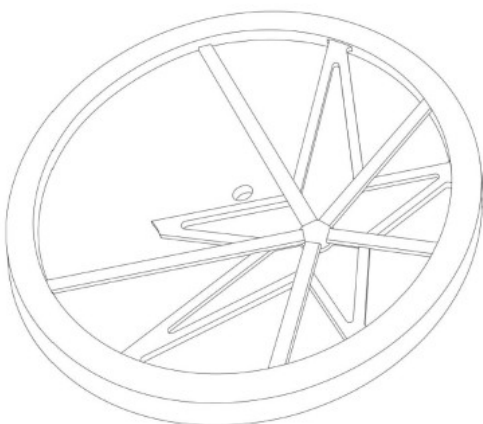
[30] 11-01-2019 / EU, SG, CH, GB / DM/201653

[51] Cl. 10-07

[54] 錶面
Watch dial

[73] RICHEMONT INTERNATIONAL SA
Route des Biches 10
CH - 1752 Villars-sur-Glâne
SWITZERLAND

[74] WENPING & CO
1701 Tung Wai Commercial Building,
111 Gloucester Road,
HONG KONG



[11] 1914193.4

[15] 10-07-2019

[30] 11-01-2019 / EU, SG, CH, GB / DM/201653

[51] Cl. 10-07

[54] 錶面

Watch dial

[73] RICHEMONT INTERNATIONAL SA

Route des Biches 10

CH - 1752 Villars-sur-Glâne

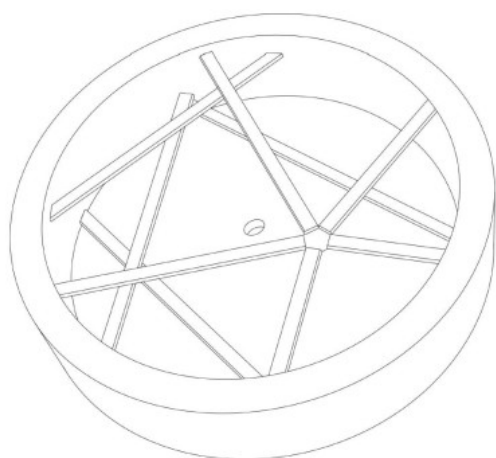
SWITZERLAND

[74] WENPING & CO

1701 Tung Wai Commercial Building,

111 Gloucester Road,

HONG KONG



[11] 1914196.1

[15] 10-07-2019

[51] Cl. 6-11

[54] 嬰幼兒遊戲墊

Playmat for baby

[73] 株式會社夢孩

Ggumbi Co., Ltd.

大韓民國

京畿道水原市靈通區 248 番地

光州中央路 7-2 號

[74] 百睿知識產權有限公司

香港 新界沙田香港科

學園

科技大道西 10 號浚湖樓 617 室



[11] 1914197.3

[15] 11-07-2019

[51] Cl. 21-01

[54] 積木玩具

Toy building block

[73] Royal Toys (HK) Co., Limited

香港新界

荃灣橫龍街 55-57 號

利時工業大廈 7 樓

[74] Royal Toys (HK) Co., Limited

香港新界

荃灣橫龍街 55-57 號

利時工業大廈 7 樓



[11] 1914199.7

[15] 11-07-2019

[51] Cl. 21-01

- [54] 積木玩具
Toy building block
- [73] Royal Toys (HK) Co., Limited
香港新界
荃灣橫龍街 55-57 號
利時工業大廈 7 樓
- [74] Royal Toys (HK) Co., Limited
香港新界
荃灣橫龍街 55-57 號
利時工業大廈 7 樓



-
- [11] 1914201.3M001
- [15] 11-07-2019
- [51] Cl. 7-07
- [54] 食物分隔架
Food compartment container
- [73] 輝聯(香港)有限公司
FAIR UNION (H.K.) LIMITED
11/F Tai Hung Fai (Tsuen Wan) Centre
55 Chung On Street Tsuen Wan N.T. Hong Kong
HONG KONG
- [74] GLOBAL INTELLECTUAL PROPERTY COMPANY LIMITED
Unit 2205, 22/F Sino Plaza,
255-257 Gloucester Road, Causeway Bay,
HONG KONG



[11] 1914201.3M002

[15] 11-07-2019

[51] Cl. 7-07

[54] 食物分隔架

Food compartment container

[73] 輝聯(香港)有限公司

FAIR UNION (H.K.) LIMITED

11/F Tai Hung Fai (Tsuen Wan) Centre

55 Chung On Street Tsuen Wan N.T. Hong Kong

HONG KONG

[74] GLOBAL INTELLECTUAL PROPERTY COMPANY LIMITED

Unit 2205, 22/F Sino Plaza,

255-257 Gloucester Road, Causeway Bay,

HONG KONG



[11] 1914201.3M003

[15] 11-07-2019

[51] Cl. 7-07

[54] 食物分隔架

Food compartment container

[73] 輝聯(香港)有限公司

FAIR UNION (H.K.) LIMITED

11/F Tai Hung Fai (Tsuen Wan) Centre

55 Chung On Street Tsuen Wan N.T. Hong Kong

HONG KONG

[74] GLOBAL INTELLECTUAL PROPERTY COMPANY LIMITED

Unit 2205, 22/F Sino Plaza,

255-257 Gloucester Road, Causeway Bay,

HONG KONG



[11] 1914205.2M001

[15] 11-07-2019

[30] 15-05-2019 / EM / 006464582-0001

[51] Cl. 2-04

[54] 鞋

Shoe

[73] adidas AG

Adi-Dassler-Strasse 1

91074 Herzogenaurach

GERMANY

[74] MAYER BROWN

16th-19th Floors, Prince's Building

10 Chater Road, Central

HONG KONG



[11] 1914205.2M002

[15] 11-07-2019

[30] 12-06-2019 / EM / 006577102-0001

[51] Cl. 2-04

[54] 鞋

Shoe

[73] adidas AG
Adi-Dassler-Strasse 1
91074 Herzogenaurach
GERMANY

[74] MAYER BROWN
16th-19th Floors, Prince's Building
10 Chater Road, Central
HONG KONG



[11] 1914205.2M003

[15] 11-07-2019

[30] 12-06-2019 / EM / 006570859-0001

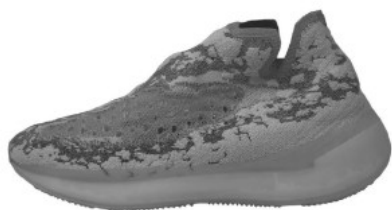
[51] Cl. 2-04

[54] 鞋

Shoe

[73] adidas AG
Adi-Dassler-Strasse 1
91074 Herzogenaurach
GERMANY

[74] MAYER BROWN
16th-19th Floors, Prince's Building
10 Chater Road, Central
HONG KONG



[11] 1914205.2M004

[15] 11-07-2019

[30] 12-06-2019 / EM / 006570867-0001

[51] Cl. 2-04

[54] 鞋

Shoe

[73] adidas AG

Adi-Dassler-Strasse 1

91074 Herzogenaurach

GERMANY

[74] MAYER BROWN

16th-19th Floors, Prince's Building

10 Chater Road, Central

HONG KONG



[11] 1914205.2M005

[15] 11-07-2019

[30] 14-06-2019 / EM / 006580650-0001

[51] Cl. 2-04

[54] 鞋

Shoe

[73] adidas AG

Adi-Dassler-Strasse 1

91074 Herzogenaurach

GERMANY

[74] MAYER BROWN

16th-19th Floors, Prince's Building

10 Chater Road, Central

HONG KONG



[11] 1914205.2M006

[15] 11-07-2019

[30] 03-07-2019 / EM / 006609947-0001

[51] Cl. 2-04

[54] 鞋

Shoe

[73] adidas AG

Adi-Dassler-Strasse 1

91074 Herzogenaurach

GERMANY

[74] MAYER BROWN

16th-19th Floors, Prince's Building

10 Chater Road, Central

HONG KONG



[11] 1914206.4

[15] 12-07-2019

[30] 25-01-2019 / EM / 006085759-0001

[51] Cl. 9-01

[54] 樽

Bottle

[73] MARTELL & CO

Place Edouard Martell

16100 Cognac

FRANCE

[74] WILKINSON & GRIST

6th Floor, Prince's Building

Chater Road

HONG KONG



[11] 1914209.0M001

[15] 12-07-2019

[30] 15-01-2019 / US / 29/676,888

[51] Cl. 3-01

[54] 行李箱

Luggage

[73] Zero Halliburton, Incorporated

190 Route 27, Suite 102

Edison, NJ 08820

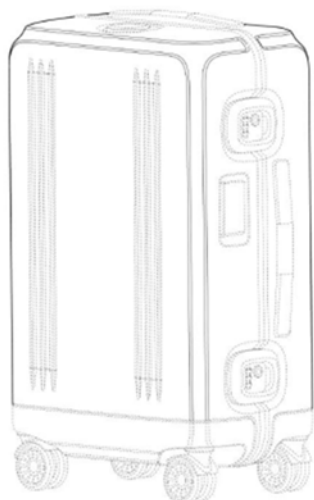
UNITED STATES

[74] DEACONS

5th Floor, Alexandra House

Central

HONG KONG



[11] 1914209.0M002

[15] 12-07-2019

[30] 15-01-2019 / US / 29/676,891

[51] Cl. 3-01

[54] 行李箱

Luggage

[73] Zero Halliburton, Incorporated

190 Route 27, Suite 102

Edison, NJ 08820

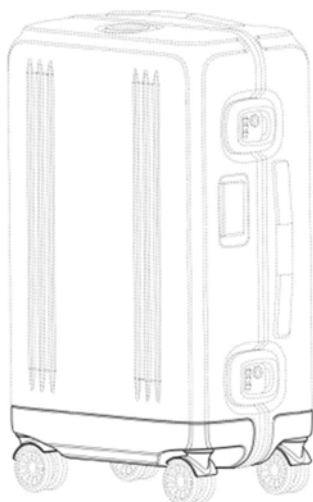
UNITED STATES

[74] DEACONS

5th Floor, Alexandra House

Central

HONG KONG



[11] 1914209.0M003

[15] 12-07-2019

[30] 15-01-2019 / US / 29/676,895

[51] Cl. 3-01

[54] 行李箱

Luggage

[73] Zero Halliburton, Incorporated

190 Route 27, Suite 102

Edison, NJ 08820

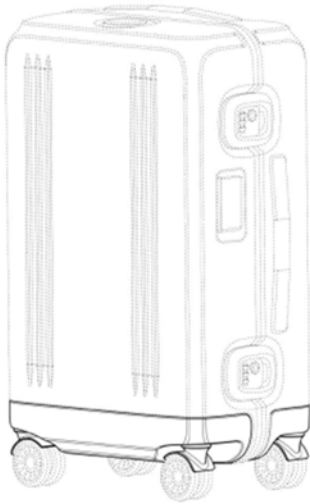
UNITED STATES

[74] DEACONS

5th Floor, Alexandra House

Central

HONG KONG



[11] 1914210.2

[15] 12-07-2019

[51] Cl. 12-07

[54] 無人機

Unmanned aerial vehicle

[73] 深圳市大疆創新科技有限公司

中國內地

廣東省深圳市南山區高新區南區

粵興一道 9 號香港科大深圳產學研大樓 6 樓

[74] 香港知識產權代理有限公司

香港 新界白石角香港科學園

第三期

科技大道西 12 號 2 樓 230 室



[11] 1914212.6

[15] 12-07-2019

[51] Cl. 7-01

[54] 一套構成餐具組合的物品，包括二個茶壺，碗，杯，及碟

A set of tableware consisting two pots, a bowl, a cup, and a plate.

[73] 楊愛蓮

YEUNG, Oi Lin Irene

1207, Good Harvest Ind Bldg,

9 Tsun Wen Rd, Tuen Mun, N.T.,

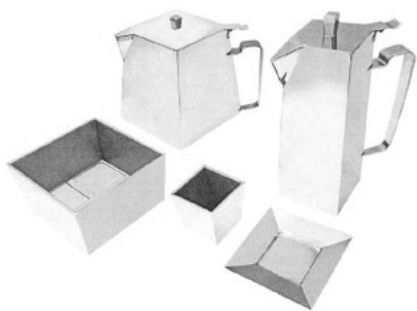
HONG KONG

[74] IPATENT AGENCY LIMITED

Rm 1008, Prosperity Millennia Plaza,

663 King s Road, Quarry Bay,

HONG KONG



[11] 1914701.4

[15] 20-09-2019

[51] Cl. 9-05

[54] 陳皮包裝袋

Packaging for dried orange peel

[73] Foon Tai Trading Company Limited

Room 2301, 23/F., Riley House,

88 Lei Muk Road, Kwai Chung, New Territories,

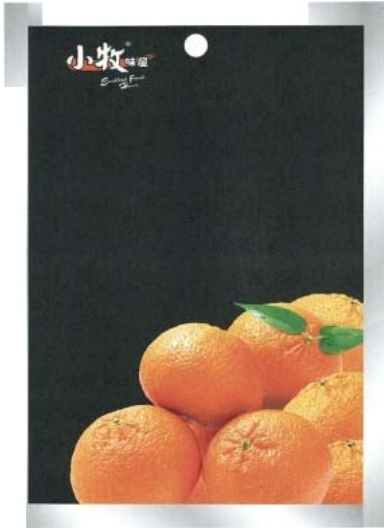
Hong Kong

[74] Yung, Yu, Yuen & Co., Solicitors

11/F., Nan Fung Tower,

88 Connaught Road Central,

HONG KONG





香港特別行政區政府知識產權署外觀設計註冊處

The Government of the Hong Kong Special Administrative Region

Designs Registry, Intellectual Property Department

根據註冊外觀設計條例第 28 條，下列註冊外觀設計因未繳續期費而停止有效。各組記項按註冊外觀設計停止有效日期及註冊編號先後次序排列。

Registered designs ceased through non-payment of renewal fees under section 28 of the Registered Designs Ordinance. Entries are listed below under their expiry dates.

06-12-2019 - 11-12-2019

06-12-2019		1402308.1
0412800.5	09-12-2019	1402309.3
0412801.7	0412835.9M007	1402310.5
0412802.9	0412838.5	1402311.7
0902050.6	0412839.7	1402312.9
0902051.8	0412840.9	
0902052.0M001	0902079.7	11-12-2019
0902052.0M002	0902083.5	1402318.2M001
0902059.5	0902089.8	1402318.2M002
0902060.7	0902093.6	1402319.4M001
0902061.9	0902097.5	1402319.4M002
	1402297.6	1402321.8
07-12-2019	1402298.8	1402322.0
0412807.0M001	1402299.0	1402324.4
0412807.0M002	1402300.4	1402325.7
0412807.0M003	1501572.0	1402326.9
0412807.0M005	9911680.2M001	1402327.1
0902062.1M001	9911680.2M002	1402329.5
1402275.0M001		1402330.7
1402277.4	10-12-2019	
1402279.8	0902108.0	
1402280.0	0902112.8M004	
1402281.2	0902115.5	
1402285.1	0902116.7	
1402287.5	0902119.3	
9911666.3	0902123.1	
	0902125.6	
08-12-2019	0902131.8	
0902069.6	1402302.8	
1402288.7	1402303.0M001	
1402290.1	1402303.0M002	
1402291.3	1402305.5	
1402293.7	1402306.7	
9911676.4	1402307.9	



香港特別行政區政府知識產權署外觀設計註冊處

The Government of the Hong Kong Special Administrative Region

Designs Registry, Intellectual Property Department

根據註冊外觀設計規則第 31 條刪除的註冊外觀設計。各組記項按註冊外觀設計 刪除日期及註冊編號先後次序排列。

Registered designs removed under section 31 of the Registered Designs Rules. Entries are listed below under their removal dates.

13-12-2019 - 19-12-2019

13-12-2019	0411297.5M001	0900956.6M009
1401055.3	0411297.5M002	0900956.6M010
1401056.5M001	0411297.5M003	0900956.6M011
1401056.5M002	0411297.5M004	0900956.6M019
1401063.9M001	0900941.4M001	0900956.6M020
1401063.9M002	0900941.4M002	0900956.6M021
1401063.9M003	0900944.0	0900956.6M022
1401063.9M004	1401084.3M001	0900956.6M023
1401064.1	1401084.3M002	0900956.6M024
1401067.8	1401084.3M003	0900956.6M025
	1401084.3M004	0900958.0
14-12-2019	1401084.3M005	0900959.2
9910689.0	1401084.3M006	1401093.2
9910690.2	1401085.6	1401094.4
	1401086.8	1401095.7
15-12-2019	1401087.0	1401096.9
0411268.4		1401098.3
0411269.6	18-12-2019	1401099.5
0411270.8	0411301.5	
	0411302.7M001	
16-12-2019	0411302.7M002	
0411287.4	0900953.9	
0411294.8	1401089.4	
0411295.1	1401090.6	
0900934.9M001	1401091.8	
0900935.2	1401092.0	
0900936.4		
1401079.3M001	19-12-2019	
1401079.3M002	0900956.6M003	
1401079.3M003	0900956.6M004	
1401079.3M004	0900956.6M005	
1401080.5M001	0900956.6M006	
	0900956.6M007	
17-12-2019	0900956.6M008	