

香港知識產權公報

Hong Kong Intellectual Property Journal

2019 年 5 月 3 日

03 March 2019



目錄

Contents

根據註冊外觀設計條例第 25 條註冊的外觀設計

Designs Registered under section 25 of the Registered Designs Ordinance

按註冊編號排列

Arranged by Registration Number

根據註冊外觀設計條例 (第 522 章) 公布的其他公告

Other Notices Published under the Registered Designs Ordinance (Cap. 522)

根據註冊外觀設計條例第 28 條，註冊外觀設計因未繳續期費而停止有效

Registered Designs Ceased through Non-payment of Renewal Fees under section 28 of the Registered Designs Ordinance

根據註冊外觀設計規則第 31 條刪除的註冊外觀設計

Registered Designs Removed under section 31 of the Registered Designs Rules

以下事項沒有記錄

No Records for the Following Matters

根據註冊外觀設計條例第 30 條放棄的外觀設計的註冊

Surrender of Registration of Design under section 30 of the Registered Designs Ordinance

根據註冊外觀設計規則第 37 條，向處長作出轉介

Reference to Registrar under section 37 of the Registered Designs Rules

根據註冊外觀設計條例第 45 條，撤銷註冊

Revocation of Registration under section 45 of the Registered Designs Ordinance

根據註冊外觀設計規則第 46 條，向法院作出轉介
Reference to Court under section 46 of the Registered Designs Rules

根據註冊外觀設計規則第 63 條對不符合規定之處作出糾正
Rectification of Irregularities under section 63 of the Registered Designs Rules

根據註冊外觀設計條例第 66 條，糾正註冊紀錄冊
Rectification of Register under section 66 of the Registered Designs Ordinance

根據註冊外觀設計條例第 67 條，更正註冊紀錄冊內的錯誤
Correction of Errors in Register under section 67 of the Registered Designs Ordinance

根據註冊外觀設計條例第 67 及 76 條，更正註冊紀錄冊內及已提交文件中的錯誤
Correction of Errors in Register and in Filed Documents under sections
67 and 76 of the Registered Designs Ordinance

根據註冊外觀設計條例第 76 條，更正已提交文件中的錯誤
Correction of Errors in Filed Documents under section 76 of the Registered Designs
Ordinance

勘誤
Corrigendum

註冊外觀設計公告註釋

Notes on advertisements of registration of designs

方括號表示下列資料：

Square brackets indicate the following data：

- [11] 註冊編號 Registration number / 聯合王國註冊編號 United Kingdom registration number

- [15] 註冊日期 Registration date / 當作註冊日期 Deemed registration date / 聯合王國註冊日期 United Kingdom registration date

- [17] 註冊有效期屆滿日期 Expiry date of the period of registration

- [22] 提交日期 Filing date / 當作提交日期 Deemed filing date / 聯合王國提交日期 United Kingdom filing date

- [30] 聲稱享有的優先權 (提交日期 / 巴黎公約國或世界貿易組織成員 / 申請編號) Priority claimed (filing date / Paris Convention country or WTO member / application number)

- [51] 國際外觀設計分類號 (洛迦諾分類號) International Classification of designs (Locarno Classification)

- [54] 物品 Article

- [55] 外觀設計的表述 Representation of the design

- [62] 分開前的申請編號及提交日期 Application number before division and filing date

- [66] 過往註冊的聯繫外觀設計註冊編號 / 日期 Registration No. / Date of Previous Registration for Association

- [72] 設計人 Designer

[73] 擁有人姓名和地址 Name and address of the owner

[74] 代理人 Agent / 送達地址 Address for service



香港特別行政區政府知識產權署外觀設計註冊處

The Government of the Hong Kong Special Administrative Region

Designs Registry, Intellectual Property Department

根據註冊外觀設計條例第 25 條註冊的外觀設計

Designs registered under section 25 of the Registered Designs Ordinance

按註冊編號排列

Arranged by Registration Number

[11] 1801384.3M001

[15] 09-07-2018

[51] Cl. 10-01

[54] 發光二極管鬧鐘

LED alarm clock

[73] NEXUS INDUSTRIAL DESIGN LTD.

香港上環 皇后大道

中 251 號

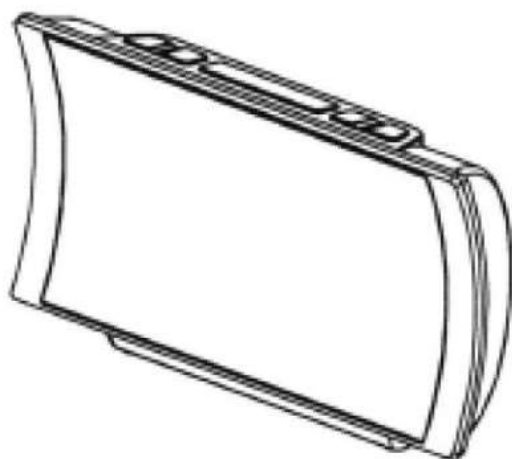
太興中心 2 座 15 樓

[74] NEXUS INDUSTRIAL DESIGN LTD.

香港上環 皇后大道

中 251 號

太興中心 2 座 15 樓



[11] 1801384.3M002

[15] 09-07-2018

[51] Cl. 10-01

[54] 發光二極管鬧鐘連收音機

LED alarm clock with radio

[73] NEXUS INDUSTRIAL DESIGN LTD.

香港上環 皇后大道

中 251 號

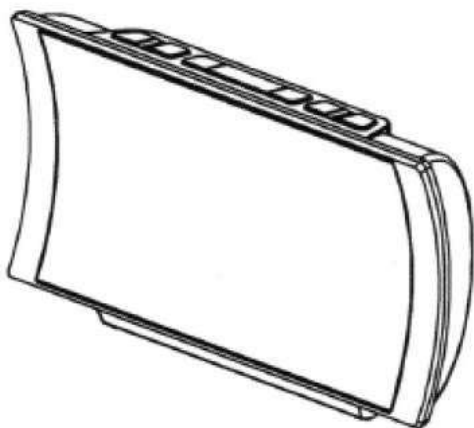
太興中心 2 座 15 樓

[74] NEXUS INDUSTRIAL DESIGN LTD.

香港上環 皇后大道

中 251 號

太興中心 2 座 15 樓



[11] 1801386.8M001

[15] 09-07-2018

[51] Cl. 10-01

[54] 發光二極管和無線充電的鬧鐘

LED alarm clock with wireless charging

[73] NEXUS INDUSTRIAL DESIGN LTD.

香港上環 皇后大道

中 251 號

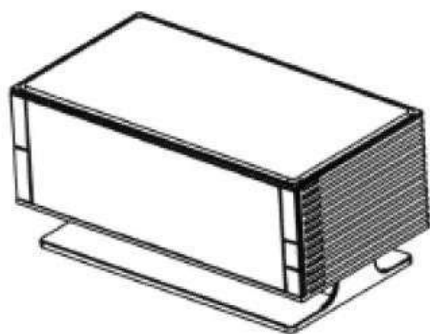
太興中心 2 座 15 樓

[74] NEXUS INDUSTRIAL DESIGN LTD.

香港上環 皇后大道

中 251 號

太興中心 2 座 15 樓



[11] 1801386.8M002

[15] 09-07-2018

[51] Cl. 10-01

[54] 發光二極管和無線充電的鬧鐘連收音機

LED alarm clock with wireless charging and radio

[73] NEXUS INDUSTRIAL DESIGN LTD.

香港上環 皇后大道

中 251 號

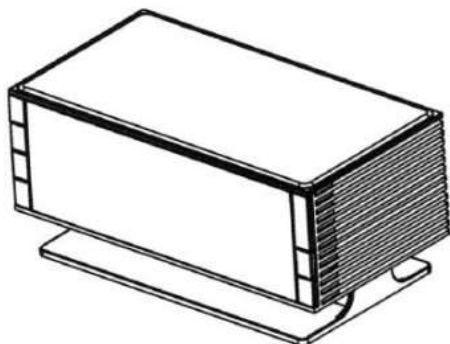
太興中心 2 座 15 樓

[74] NEXUS INDUSTRIAL DESIGN LTD.

香港上環 皇后大道

中 251 號

太興中心 2 座 15 樓



[11] 1801495.9M001

[15] 23-07-2018

[30] 23-01-2018 / CN / 201830031704.4

[51] Cl. 12-11

[54] 電動車

Electric bicycle

[73] BEIJING DIDI INFINITY TECHNOLOGY AND DEVELOPMENT CO., LTD.
BUILDING 34,
NO. 8 DONGBEIWANG WEST ROAD,
HAIDIAN DISTRICT, BEIJING, 100193, CHINA

[74] China Patent Agent (H.K.) Ltd.
22/F, Great Eagle Centre,
23 Harbour Road, Wanchai,
Hong Kong.



[11] 1801495.9M002

[15] 23-07-2018

[30] 23-01-2018 / CN / 201830031704.4

[51] C1. 12-11

[54] 電動車

Electric bicycle

[73] BEIJING DIDI INFINITY TECHNOLOGY AND DEVELOPMENT CO., LTD.
BUILDING 34,
NO. 8 DONGBEIWANG WEST ROAD,
HAIDIAN DISTRICT, BEIJING, 100193, CHINA

[74] China Patent Agent (H.K.) Ltd.
22/F, Great Eagle Centre,
23 Harbour Road, Wanchai,
Hong Kong.



[11] 1801591.3M001

[15] 02-08-2018

[30] 14-06-2018 / US / 29/653,420

[51] Cl. 14-01

Cl. 14-03

[54] 通訊頭戴式送受話器

Communications headset or headphone

[73] 繽特力股份有限公司

Plantronics, Inc.

345 Encinal Street, P.O. Box 635,

Santa Cruz, CA 95060,

UNITED STATES

[74] Shanghai Intellectual Property Office

Unit F, 20th Floor, Neich Tower,

128 Gloucester Road,

Hong Kong.



[11] 1801591.3M002

[15] 02-08-2018

[30] 14-06-2018 / US / 29/653,427

[51] Cl. 14-03

Cl. 14-01

[54] 通訊頭戴式送受話器

Communications headset or headphone

[73] 繽特力股份有限公司

Plantronics, Inc.

345 Encinal Street, P.O. Box 635,

Santa Cruz, CA 95060,

UNITED STATES

[74] Shanghai Intellectual Property Office

Unit F, 20th Floor, Neich Tower,

128 Gloucester Road,

Hong Kong.



[11] 1801591.3M003

[15] 02-08-2018

[30] 14-06-2018 / US / 29/653,425

[51] Cl. 14-03

Cl. 14-01

[54] 通訊頭戴式送受話器

Communications headset or headphone

[73] 繽特力股份有限公司

Plantronics, Inc.

345 Encinal Street, P.O. Box 635,

Santa Cruz, CA 95060,

UNITED STATES

[74] Shanghai Intellectual Property Office

Unit F, 20th Floor, Neich Tower,

128 Gloucester Road,

Hong Kong.



[11] 1801625.7M001

[15] 07-08-2018

[30] 08-02-2018 / EM / 004701480-0001

[51] Cl. 27-99

[54] 吸煙者的配件

Smokers' accessory

[73] Philip Morris Products S.A.

Quai Jeanrenaud 3,
2000 Neuchâtel,
SWITZERLAND

[74] CLT Patent & Trademark (H.K.) Ltd.

Unit 09, 34/F., Office Tower, Convention Plaza,
No. 1 Harbour Road, Wanchai,
Hong Kong.



[11] 1801625.7M002

[15] 07-08-2018

[30] 08-02-2018 / EM / 004701480-0002

[51] Cl. 27-99

[54] 吸煙者的配件

Smokers' accessory

[73] Philip Morris Products S.A.

Quai Jeanrenaud 3,
2000 Neuchâtel,
SWITZERLAND

[74] CLT Patent & Trademark (H.K.) Ltd.

Unit 09, 34/F., Office Tower, Convention Plaza,
No. 1 Harbour Road, Wanchai,
Hong Kong.



[11] 1801752.5

[15] 27-08-2018

[51] Cl. 2-04

[54] 鞋墊

Insole

[73] 熊達行集團有限公司

香港新界葵涌

梨木道 73-77 號

海暉中心 1306 室

[74] 熊達行集團有限公司

香港新界葵涌

梨木道 73-77 號

海暉中心 1306 室



[11] 1801804.6

[15] 03-09-2018

[51] Cl. 11-02

[54] 飾物設計

Ornament design

[73] 六福集團有限公司

Luk Fook Holdings Company Limited
Luk Fook Jewellery Centre,
No.239 Temple Street, Jordan,
Kowloon, Hong Kong

[74] Luk Fook Holdings Company Limited

Luk Fook Jewellery Centre,
No.239 Temple Street, Jordan,
Kowloon, Hong Kong



[11] 1801805.9M001

[15] 03-09-2018

[51] Cl. 11-01

[54] 吊墜

Pendant

[73] 六福集團有限公司

Luk Fook Holdings Company Limited
Luk Fook Jewellery Centre,
No.239 Temple Street, Jordan,
Kowloon, Hong Kong

[74] Luk Fook Holdings Company Limited

Luk Fook Jewellery Centre,
No. 239 Temple Street, Jordan,
Kowloon, Hong Kong



[11] 1801805.9M002

[15] 03-09-2018

[51] Cl. 11-01

[54] 吊墜

Pendant

[73] 六福集團有限公司

Luk Fook Holdings Company Limited
Luk Fook Jewellery Centre,
No.239 Temple Street, Jordan,
Kowloon, Hong Kong

[74] Luk Fook Holdings Company Limited

Luk Fook Jewellery Centre,
No. 239 Temple Street, Jordan,
Kowloon, Hong Kong



[11] 1801805.9M003

[15] 03-09-2018

[51] Cl. 11-01

[54] 吊墜

Pendant

[73] 六福集團有限公司

Luk Fook Holdings Company Limited
Luk Fook Jewellery Centre,
No.239 Temple Street, Jordan,
Kowloon, Hong Kong

[74] Luk Fook Holdings Company Limited

Luk Fook Jewellery Centre,
No. 239 Temple Street, Jordan,
Kowloon, Hong Kong



[11] 1801805.9M003

[15] 03-09-2018

[51] Cl. 11-01

[54] 吊墜

Pendant

[73] 六福集團有限公司

Luk Fook Holdings Company Limited

Luk Fook Jewellery Centre,

No.239 Temple Street, Jordan,

Kowloon, Hong Kong

[74] Luk Fook Holdings Company Limited

Luk Fook Jewellery Centre,

No. 239 Temple Street, Jordan,

Kowloon, Hong Kong



[11] 1801805.9M004

[15] 03-09-2018

[51] Cl. 11-01

[54] 吊墜

Pendant

[73] 六福集團有限公司

Luk Fook Holdings Company Limited
Luk Fook Jewellery Centre,
No.239 Temple Street, Jordan,
Kowloon, Hong Kong

[74] Luk Fook Holdings Company Limited

Luk Fook Jewellery Centre,
No. 239 Temple Street, Jordan,
Kowloon, Hong Kong



[11] 1801805.9M005

[15] 03-09-2018

[51] Cl. 11-01

[54] 吊墜

Pendant

[73] 六福集團有限公司

Luk Fook Holdings Company Limited
Luk Fook Jewellery Centre,
No.239 Temple Street, Jordan,
Kowloon, Hong Kong

[74] Luk Fook Holdings Company Limited

Luk Fook Jewellery Centre,
No. 239 Temple Street, Jordan,
Kowloon, Hong Kong



[11] 1801805.9M006

[15] 03-09-2018

[51] Cl. 11-01

[54] 吊墜

Pendant

[73] 六福集團有限公司

Luk Fook Holdings Company Limited

Luk Fook Jewellery Centre,

No.239 Temple Street, Jordan,

Kowloon, Hong Kong

[74] Luk Fook Holdings Company Limited

Luk Fook Jewellery Centre,

No. 239 Temple Street, Jordan,

Kowloon, Hong Kong



[11] 1801805.9M007

[15] 03-09-2018

[51] Cl. 11-01

[54] 吊墜

Pendant

[73] 六福集團有限公司

Luk Fook Holdings Company Limited

Luk Fook Jewellery Centre,

No.239 Temple Street, Jordan,

Kowloon, Hong Kong

[74] Luk Fook Holdings Company Limited

Luk Fook Jewellery Centre,

No. 239 Temple Street, Jordan,

Kowloon, Hong Kong



[11] 1801805.9M008

[15] 03-09-2018

[51] Cl. 11-01

[54] 吊墜

Pendant

[73] 六福集團有限公司

Luk Fook Holdings Company Limited

Luk Fook Jewellery Centre,

No.239 Temple Street, Jordan,

Kowloon, Hong Kong

[74] Luk Fook Holdings Company Limited

Luk Fook Jewellery Centre,

No. 239 Temple Street, Jordan,

Kowloon, Hong Kong



[11] 1801805.9M009

[15] 03-09-2018

[51] Cl. 11-01

[54] 吊墜

Pendant

[73] 六福集團有限公司

Luk Fook Holdings Company Limited
Luk Fook Jewellery Centre,
No.239 Temple Street, Jordan,
Kowloon, Hong Kong

[74] Luk Fook Holdings Company Limited

Luk Fook Jewellery Centre,
No. 239 Temple Street, Jordan,
Kowloon, Hong Kong



[11] 1801807.3

[15] 04-09-2018

[30] 07-03-2018 / EM, JP, NO, SG, CH / DM/100 223

[51] Cl. 7-04

[54] 非電動咖啡磨豆器

Non-electric coffee grinder

[73] Pi-Design AG

Kantonsstrasse 100,
CH-6234 Triengen,
SWITZERLAND

[74] WENPING & CO.

1701 Tung Wai Commercial Building,
111 Gloucester Road,
Hong Kong.



[11] 1801809.7M001

[15] 04-09-2018

[30] 20-03-2018 / CH / 143921

[51] Cl. 10-02

[54] 手錶

Watch

[73] LVMH Swiss Manufactures SA

Rue Louis-Joseph-Chevrolet 6a,

2300 La Chaux-de-Fonds,

SWITZERLAND

[74] Wilkinson & Grist

6th Floor, Prince's Building,

Chater Road,

Hong Kong.



[11] 1801809.7M002

[15] 04-09-2018

[30] 20-03-2018 / CH / 143921

[51] Cl. 10-02

[54] 手錶

Watch

[73] LVMH Swiss Manufactures SA

Rue Louis-Joseph-Chevrolet 6a,

2300 La Chaux-de-Fonds,

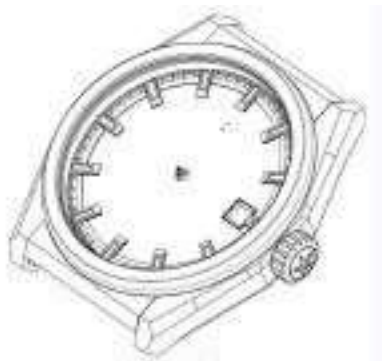
SWITZERLAND

[74] Wilkinson & Grist

6th Floor, Prince's Building,

Chater Road,

Hong Kong.



[11] 1801809.7M003

[15] 04-09-2018

[30] 20-03-2018 / CH / 143921

[51] Cl. 10-02

[54] 手錶

Watch

[73] LVMH Swiss Manufactures SA
Rue Louis-Joseph-Chevrolet 6a,
2300 La Chaux-de-Fonds,
SWITZERLAND

[74] Wilkinson & Grist
6th Floor, Prince's Building,
Chater Road,
Hong Kong.



[11] 1801809.7M004

[15] 04-09-2018

[30] 20-03-2018 / CH / 143921

[51] Cl. 10-07

[54] 錶面

Watch dial

[73] LVMH Swiss Manufactures SA
Rue Louis-Joseph-Chevrolet 6a,
2300 La Chaux-de-Fonds,
SWITZERLAND

[74] Wilkinson & Grist
6th Floor, Prince's Building,
Chater Road,
Hong Kong.



[11] 1801810.9

[15] 04-09-2018

[51] Cl. 11-01

[54] 手鐲

Bracelet

[73] VAN CLEEF & ARPELS SA
Route des Biches 8,
1752 Villars-sur-Glâne,
SWITZERLAND

[74] WENPING & CO.
1701 Tung Wai Commercial Building,
111 Gloucester Road,
Hong Kong.



[11] 1801811.1

[15] 04-09-2018

[51] Cl. 11-01

[54] 手鐲

Bracelet

[73] VAN CLEEF & ARPELS SA

Route des Biches 8,
1752 Villars-sur-Glâne,
SWITZERLAND

[74] WENPING & CO.

1701 Tung Wai Commercial Building,
111 Gloucester Road,
Hong Kong.



[11] 1801812.3

[15] 04-09-2018

[51] Cl. 11-01

[54] 手鐲

Bracelet

[73] VAN CLEEF & ARPELS SA

Route des Biches 8,
1752 Villars-sur-Glâne,
SWITZERLAND

[74] WENPING & CO.

1701 Tung Wai Commercial Building,
111 Gloucester Road,
Hong Kong.



[11] 1801813.5

[15] 05-09-2018

[51] Cl. 9-05

[54] 包裝袋

Packing bag

[73] SUNNY FOOD (HK) COMPANY LIMITED

香港新界葵涌 打磚

坪街 58-76 號

和豐工業中心 12 樓 25 室

[74] SUNNY FOOD (HK) CO LTD (ATTENTION TO MR. LUNG)

香港新界葵涌 打磚

坪街 58-76 號

和豐工業中心 12 樓 25 室



[11] 1801814.7

[15] 05-09-2018

[51] Cl. 9-05

[54] 包裝袋

Packing bag

[73] SUNNY FOOD (HK) COMPANY LIMITED

香港新界葵涌 打磚

坪街 58-76 號

和豐工業中心 12 樓 25 室

[74] SUNNY FOOD (HK) CO LTD (ATTENTION TO MR. LUNG)

香港新界葵涌 打磚

坪街 58-76 號

和豐工業中心 12 樓 25 室



[11] 1801815.0

[15] 05-09-2018

[51] Cl. 10-06

[54] 太陽能警示燈

Solar warning light

[73] WORLD CHAMPION INC LIMITED

FLAT 706, 7/F, KAR WAH INDUSTRIAL BUILDING,
8 LEUNG YIP STREET, YUEN LONG,
NEW TERRITORIES, HONG KONG

[74] IPMS CONSULTANTS LIMITED

UNIT 2004B, 20/F, TOWER 5, CHINA HONG KONG CITY,
33 CANTON ROAD, TSIM SHA TSUI,
KOWLOON, HONG KONG



[11] 1801816.2

[15] 05-09-2018

[51] Cl. 10-06

[54] 警示燈

Warning light

[73] WORLD CHAMPION INC LIMITED

FLAT 706, 7/F, KAR WAH INDUSTRIAL BUILDING,
8 LEUNG YIP STREET, YUEN LONG,
NEW TERRITORIES, HONG KONG

[74] IPMS CONSULTANTS LIMITED

UNIT 2004B, 20/F, TOWER 5, CHINA HONG KONG CITY,
33 CANTON ROAD, TSIM SHA TSUI,
KOWLOON, HONG KONG



[11] 1801823.6

[15] 06-09-2018

[51] Cl. 14-01

[54] 揚聲器

Loudspeaker

[73] Tiara Audio Limited

Unit 1003, 10th Floor, Nexxus Building,
41 Connaught Road Central,
Hong Kong

[74] CHINAHONGKONG IP LIMITED

3011, 30/F, Office Tower,
Convention Plaza, 1 Harbour Road,
Hong Kong.



[11] 1801824.8

[15] 06-09-2018

[51] Cl. 6-09

[54] 枕頭

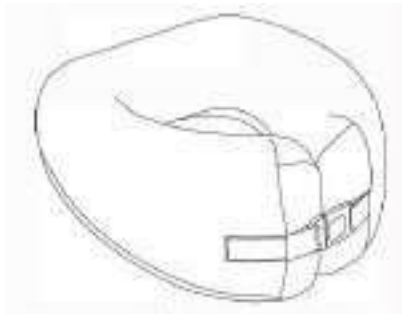
Pillow

[73] DG International Holdings Limited

Unit 1-2, Mill Hill Industrial Estate,

Flower Lane, Mill Hill, London, NW7 2HU,
UNITED KINGDOM

- [74] MinterEllison LLP
Level 32, Wu Chung House
213 Queen's Road East
Hong Kong



-
- [11] 1801826.3M001

[15] 06-09-2018

[51] Cl. 19-02

[54] 膠棒塗敷器

Glue stick applicator

- [73] KOKUYO CO., LTD.

1-1, Oimazato-minami 6-chome,
Higashinari-ku, Osaka-shi, Osaka,
JAPAN

- [74] UNION PATENT SERVICE CENTRE

Units E-F, 20th Floor, Neich Tower,
128 Gloucester Road,
Hong Kong.



-
- [11] 1801826.3M002

[15] 06-09-2018

[51] Cl. 19-02

[54] 膠棒塗敷器

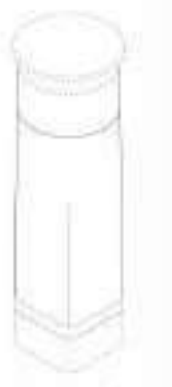
Glue stick applicator

[73] KOKUYO CO., LTD.

1-1, Oimazato-minami 6-chome,
Higashinari-ku, Osaka-shi, Osaka,
JAPAN

[74] UNION PATENT SERVICE CENTRE

Units E-F, 20th Floor, Neich Tower,
128 Gloucester Road,
Hong Kong.



[11] 1801827.5

[15] 06-09-2018

[30] 07-03-2018 / CH / 143846

[51] Cl. 10-02

[54] 錶

Watch

[73] JACOB & CO SA

rue Dr-Alfred-Vincent 16
1201 Geneva,
SWITZERLAND

[74] WENPING & CO.

1701 Tung Wai Commercial Building,
111 Gloucester Road,
Hong Kong.



[11] 1801828.7

[15] 06-09-2018

[51] Cl. 9-07

[54] 水瓶蓋

Water bottle cap

[73] 瑞川有限公司

RIVERS Co. Ltd.

KOMAZAWA PARKSIDE TERRACE, SOUTH2F,

KOMAZAWA5-25-7 SETAGAYA, TOKYO,

JAPAN

[74] BENNY KONG & TSAI

Unit 19B, Overseas Trust Bank Building,

No. 160 Gloucester Road, Wanchai,

Hong Kong.



[11] 1801833.7

[15] 07-09-2018

[51] Cl. 14-02

[54] 銷售終端機

POS terminal

[73] Pundi X Labs Pte. Ltd.

Co. Duxton - Iron Room

99 Duxton Road

089543, SINGAPORE

[74] MARKS & CLERK

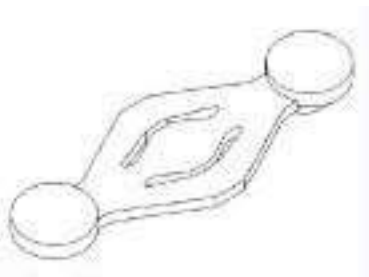
Level 9, Cyberport 1,

100 Cyberport Road,

Pok Fu Lam, Hong Kong.



-
- [11] 1801839.0
[15] 10-09-2018
[30] 19-03-2018 / JP / 005693 of 2018
[51] Cl. 8-08
[54] 束線帶
Fastening clip
[73] 八卷股份有限公司
Hachimaki, Inc.
ROOM 504, 3-11-4 IIDABASHI,
CHIYODA-KU, TOKYO,
JAPAN
日本東京都千代田區
飯田橋 3 丁目
11 番 4 號 504 號室
[74] China Patent Agent (H.K.) Ltd.
22/F, Great Eagle Centre,
23 Harbour Road, Wanchai,
Hong Kong.



-
- [11] 1801840.2M001
[15] 10-09-2018
[30] 28-03-2018 / US / 29/642,160
[51] Cl. 7-01

[54] 杯

Tumbler

[73] DART INDUSTRIES INC.

14901 S. Orange Blossom Trail,
Orlando, Florida 32837,
UNITED STATES

[74] Wilkinson & Grist

6th Floor, Prince's Building,
Chater Road,
Hong Kong.



[11] 1801840.2M002

[15] 10-09-2018

[30] 28-03-2018 / US / 29/642,160

[51] Cl. 7-01

[54] 杯

Tumbler

[73] DART INDUSTRIES INC.

14901 S. Orange Blossom Trail,
Orlando, Florida 32837,
UNITED STATES

[74] Wilkinson & Grist

6th Floor, Prince's Building,
Chater Road,
Hong Kong.



[11] 1801841.4

[15] 10-09-2018

[30] 28-03-2018 / US / 29/642,162

[51] Cl. 9-07

[54] 杯蓋

Cover for tumbler

[73] DART INDUSTRIES INC.

14901 S. Orange Blossom Trail,
Orlando, Florida 32837,
UNITED STATES

[74] Wilkinson & Grist

6th Floor, Prince's Building,
Chater Road,
Hong Kong.



[11] 1801842.6M001

[15] 10-09-2018

[30] 28-03-2018 / US / 29/642,163

[51] Cl. 7-01

[54] 杯

Tumbler

[73] DART INDUSTRIES INC.

14901 S. Orange Blossom Trail,

Orlando, Florida 32837,
UNITED STATES

- [74] Wilkinson & Grist
6th Floor, Prince's Building,
Chater Road,
Hong Kong.



-
- [11] 1801842.6M002

- [15] 10-09-2018

- [30] 28-03-2018 / US / 29/642,163

- [51] Cl. 7-01

- [54] 杯

Tumbler

- [73] DART INDUSTRIES INC.
14901 S. Orange Blossom Trail,
Orlando, Florida 32837,
UNITED STATES

- [74] Wilkinson & Grist
6th Floor, Prince's Building,
Chater Road,
Hong Kong.



[11] 1801849.1

[15] 11-09-2018

[51] Cl. 20-02

[54] 飾物陳列裝置

Ornament display device

[73] 金至尊國際有限公司

3D-GOLD INTERNATIONAL COMPANY LIMITED
UNITS 01-09, 17TH FLOOR, PENINSULA SQUARE,
NO. 18 SUNG ON STREET, HUNGHOM,
KOWLOON, HONG KONG

[74] 3D-GOLD INTERNATIONAL COMPANY LIMITED (ATTENTION TO: IRENE
CHEUNG)

UNITS 01-09, 17TH FLOOR, PENINSULA SQUARE,
NO. 18 SUNG ON STREET, HUNGHOM,
KOWLOON, HONG KONG



[11] 1801850.3

[15] 11-09-2018

[51] Cl. 11-01

[54] 鑽石

Diamond

[73] Chetankumar Himmatbhai SATANI

1, SNEHMILAN SOCIETY, OPP. WATER TANK,
CHIKUWADI, VARACHHA ROAD, SURAT CITY,
PIN: 395006, GUJARAT, INDIA

[74] Accolade IP Limited

Room 702, 7/F.,
Fu Fai Commercial Centre,
27 Hillier Street, Hong Kong.



-
- [11] 1801851.5
[15] 11-09-2018
[30] 23-04-2018 / EM, JP, NO, SG, CH / DM/100 981
[51] Cl. 31-00
[54] 攪拌機
Blender
[73] Pi-Design AG
Kantonsstrasse 100,
CH-6234 Triengen,
SWITZERLAND
[74] WENPING & CO.
1701 Tung Wai Commercial Building,
111 Gloucester Road,
Hong Kong.



-
- [11] 1801853.9
[15] 12-09-2018
[51] Cl. 13-03
[54] 插頭轉接器
Plug adaptor

[73] DG International Holdings Limited
Unit 1-2, Mill Hill Industrial Estate,
Flower Lane, Mill Hill, London, NW7 2HU,
UNITED KINGDOM

[74] MinterEllison LLP
Level 32, Wu Chung House
213 Queen's Road East
Hong Kong



[11] 1801854.1

[15] 03-10-2018

[51] Cl. 11-02

[54] 金屬鎖配皮革裝飾

Metal lock wrapped with a layer of leather

[73] Motto Carpe Diem Limited
香港九龍
新蒲崗五芳街 19-21 號 嘉榮工廠大
廈 1C 室

[74] Motto Carpe Diem Limited
香港九龍
新蒲崗五芳街 19-21 號 嘉榮工廠大
廈 1C 室



[11] 1801855.4

[15] 12-09-2018

[51] Cl. 23-04

[54] 蒸發式冷風機
Evaporative air cooler fan

[73] 新發電器製品(國際)有限公司
香港屯門杯渡路 76 號
屯門工業中心
E 座一字樓二號室

[74] 新發電器製品(國際)有限公司
香港屯門杯渡路 76 號 屯門
工業中心
E 座一字樓二號室



[11] 1801856.6

[15] 12-09-2018

[30] 16-03-2018 / EM, MC, MA, SG, CH, TN, UA, TR / DM/100 828

[51] Cl. 11-01

[54] 戒指
Ring

[73] CHAUMET INTERNATIONAL S.A.
12 PLACE VENDÔME
75001 PARIS,
FRANCE

[74] WENPING & CO.
1701 Tung Wai Commercial Building,
111 Gloucester Road,
Hong Kong.



[11] 1801857.8

[15] 12-09-2018

[30] 16-03-2018 / EM, MC, MA, SG, CH, TN, UA, TR / DM/100 828

[51] Cl. 11-01

[54] 戒指
Ring

[73] CHAUMET INTERNATIONAL S.A.

12 PLACE VENDÔME

75001 PARIS,

FRANCE

[74] WENPING & CO.

1701 Tung Wai Commercial Building,

111 Gloucester Road,

Hong Kong.



[11] 1801858.0

[15] 12-09-2018

[30] 16-03-2018 / EM, MC, MA, SG, CH, TN, UA, TR / DM/100 828

[51] Cl. 11-01

[54] 項鍊
Necklace

[73] CHAUMET INTERNATIONAL S.A.
12 PLACE VENDÔME
75001 PARIS,
FRANCE

[74] WENPING & CO.
1701 Tung Wai Commercial Building,
111 Gloucester Road,
Hong Kong.



[11] 1801859.2

[15] 12-09-2018

[30] 16-03-2018 / EM, MC, MA, SG, CH, TN, UA, TR / DM/100 828

[51] Cl. 11-01

[54] 項鍊
Necklace

[73] CHAUMET INTERNATIONAL S.A.
12 PLACE VENDÔME
75001 PARIS,
FRANCE

[74] WENPING & CO.
1701 Tung Wai Commercial Building,
111 Gloucester Road,
Hong Kong.



[11] 1801860.4

[15] 12-09-2018

[30] 16-03-2018 / EM, MC, MA, SG, CH, TN, UA, TR / DM/100 828

[51] Cl. 11-01

[54] 吊墜

Pendant

[73] CHAUMET INTERNATIONAL S.A.

12 PLACE VENDÔME

75001 PARIS,

FRANCE

[74] WENPING & CO.

1701 Tung Wai Commercial Building,

111 Gloucester Road,

Hong Kong.



[11] 1801861.6

[15] 12-09-2018

[30] 16-03-2018 / EM, MC, MA, SG, CH, TN, UA, TR / DM/100 828

[51] Cl. 11-01

[54] 耳環

Earrings

[73] CHAUMET INTERNATIONAL S.A.

12 PLACE VENDÔME

75001 PARIS,

FRANCE

[74] WENPING & CO.

1701 Tung Wai Commercial Building,

111 Gloucester Road,

Hong Kong.



[11] 1801862.8

[15] 12-09-2018

[30] 16-03-2018 / EM, MC, MA, SG, CH, TN, UA, TR / DM/100 828

[51] Cl. 11-01

[54] 戒指
Ring

[73] CHAUMET INTERNATIONAL S.A.

12 PLACE VENDÔME

75001 PARIS,

FRANCE

[74] WENPING & CO.

1701 Tung Wai Commercial Building,

111 Gloucester Road,

Hong Kong.



[11] 1801863.0

[15] 12-09-2018

[30] 16-03-2018 / EM, MC, MA, SG, CH, TN, UA, TR / DM/100 828

[51] Cl. 11-01

[54] 戒指
Ring

[73] CHAUMET INTERNATIONAL S.A.
12 PLACE VENDÔME
75001 PARIS,
FRANCE

[74] WENPING & CO.
1701 Tung Wai Commercial Building,
111 Gloucester Road,
Hong Kong.



[11] 1801864.2

[15] 12-09-2018

[30] 16-03-2018 / EM, MC, MA, SG, CH, TN, UA, TR / DM/100 828

[51] Cl. 11-01

[54] 戒指
Ring

[73] CHAUMET INTERNATIONAL S.A.
12 PLACE VENDÔME
75001 PARIS,
FRANCE

[74] WENPING & CO.
1701 Tung Wai Commercial Building,
111 Gloucester Road,
Hong Kong.



- [11] 1801865.5
[15] 12-09-2018
[30] 16-03-2018 / EM, MC, MA, SG, CH, TN, UA, TR / DM/100 828
[51] Cl. 11-01
[54] 耳環
Earrings
[73] CHAUMET INTERNATIONAL S.A.
12 PLACE VENDÔME
75001 PARIS,
FRANCE
[74] WENPING & CO.
1701 Tung Wai Commercial Building,
111 Gloucester Road,
Hong Kong.



-
- [11] 1801866.7
[15] 12-09-2018
[30] 16-03-2018 / EM, MC, MA, SG, CH, TN, UA, TR / DM/100 828
[51] Cl. 11-01
[54] 手鐲
Bracelet
[73] CHAUMET INTERNATIONAL S.A.
12 PLACE VENDÔME
75001 PARIS,
FRANCE
[74] WENPING & CO.
1701 Tung Wai Commercial Building,
111 Gloucester Road,
Hong Kong.



[11] 1801867.9

[15] 12-09-2018

[30] 16-03-2018 / EM, MC, MA, SG, CH, TN, UA, TR / DM/100 828

[51] Cl. 11-01

[54] 耳環

Earrings

[73] CHAUMET INTERNATIONAL S.A.

12 PLACE VENDÔME

75001 PARIS,

FRANCE

[74] WENPING & CO.

1701 Tung Wai Commercial Building,

111 Gloucester Road,

Hong Kong.



[11] 1801868.1

[15] 12-09-2018

[30] 16-03-2018 / EM, MC, MA, SG, CH, TN, UA, TR / DM/100 828

[51] Cl. 11-01

[54] 戒指

Ring

[73] CHAUMET INTERNATIONAL S.A.

12 PLACE VENDÔME

75001 PARIS,

FRANCE

- [74] WENPING & CO.
1701 Tung Wai Commercial Building,
111 Gloucester Road,
Hong Kong.



-
- [11] 1801869.3
[15] 12-09-2018
[30] 16-03-2018 / EM, MC, MA, SG, CH, TN, UA, TR / DM/100 349
[51] Cl. 10-07

- [54] 錶殼
Watch case

- [73] CHAUMET INTERNATIONAL S.A.
12 PLACE VENDÔME
75001 PARIS,
FRANCE

- [74] WENPING & CO.
1701 Tung Wai Commercial Building,
111 Gloucester Road,
Hong Kong.



-
- [11] 1801870.5
[15] 12-09-2018
[30] 16-03-2018 / EM, MC, MA, SG, CH, TN, UA, TR / DM/100 349

[51] Cl. 10-07

[54] 錶面

Watch dial

[73] CHAUMET INTERNATIONAL S.A.

12 PLACE VENDÔME

75001 PARIS,

FRANCE

[74] WENPING & CO.

1701 Tung Wai Commercial Building,

111 Gloucester Road,

Hong Kong.



[11] 1801871.7

[15] 12-09-2018

[30] 16-03-2018 / EM, MC, MA, SG, CH, TN, UA, TR / DM/100 349

[51] Cl. 10-07

[54] 錶面

Watch dial

[73] CHAUMET INTERNATIONAL S.A.

12 PLACE VENDÔME

75001 PARIS,

FRANCE

[74] WENPING & CO.

1701 Tung Wai Commercial Building,

111 Gloucester Road,

Hong Kong.



[11] 1801872.9

[15] 12-09-2018

[30] 16-03-2018 / EM, MC, MA, SG, CH, TN, UA, TR / DM/100 349

[51] Cl. 10-07

[54] 錶面

Watch dial

[73] CHAUMET INTERNATIONAL S.A.

12 PLACE VENDÔME

75001 PARIS,

FRANCE

[74] WENPING & CO.

1701 Tung Wai Commercial Building,

111 Gloucester Road,

Hong Kong.



[11] 1801873.1

[15] 12-09-2018

[30] 16-03-2018 / EM, MC, MA, SG, CH, TN, UA, TR / DM/100 349

[51] Cl. 10-07

[54] 錶面

Watch dial

[73] CHAUMET INTERNATIONAL S.A.
12 PLACE VENDÔME
75001 PARIS,
FRANCE

[74] WENPING & CO.
1701 Tung Wai Commercial Building,
111 Gloucester Road,
Hong Kong.



[11] 1801874.3

[15] 12-09-2018

[30] 16-03-2018 / EM, MC, MA, SG, CH, TN, UA, TR / DM/100 349

[51] Cl. 10-07

[54] 錶面
Watch dial

[73] CHAUMET INTERNATIONAL S.A.
12 PLACE VENDÔME
75001 PARIS,
FRANCE

[74] WENPING & CO.
1701 Tung Wai Commercial Building,
111 Gloucester Road,
Hong Kong.



- [11] 1801875.6
[15] 12-09-2018
[30] 16-03-2018 / EM, MC, MA, SG, CH, TN, UA, TR / DM/100 349
[51] Cl. 10-07
[54] 錶面
Watch dial
[73] CHAUMET INTERNATIONAL S.A.
12 PLACE VENDÔME
75001 PARIS,
FRANCE
[74] WENPING & CO.
1701 Tung Wai Commercial Building,
111 Gloucester Road,
Hong Kong.



-
- [11] 1801876.8
[15] 12-09-2018
[30] 16-03-2018 / EM, MC, MA, SG, CH, TN, UA, TR / DM/100 349
[51] Cl. 10-02
[54] 手錶
Wrist watch
[73] CHAUMET INTERNATIONAL S.A.
12 PLACE VENDÔME
75001 PARIS,
FRANCE
[74] WENPING & CO.
1701 Tung Wai Commercial Building,
111 Gloucester Road,
Hong Kong.



[11] 1801877.0

[15] 12-09-2018

[30] 16-03-2018 / EM, MC, MA, SG, CH, TN, UA, TR / DM/100 349

[51] Cl. 10-07

[54] 錶殼

Watch case

[73] CHAUMET INTERNATIONAL S.A.

12 PLACE VENDÔME

75001 PARIS,

FRANCE

[74] WENPING & CO.

1701 Tung Wai Commercial Building,

111 Gloucester Road,

Hong Kong.



[11] 1801880.6

[15] 12-09-2018

[30] 29-03-2018 / AU / 201811921

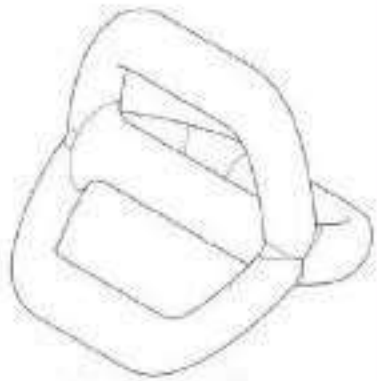
[51] Cl. 21-02

[54] 運動器材

Exercise device

[73] Y BELL GROUP PTY LTD
c/o Blake Accounting Suite 26,
7 Bungan Street, Mona Vale,
NSW, 2103, Australia

[74] IPWELL INTERNATIONAL INTELLECTUAL PROPERTY COMPANY LIMITED
Unit 826, 8/F, Ocean Centre,
Harbour City, 5 Canton Road, TST,
Kowloon, Hong Kong.



[11] 1801882.0

[15] 12-09-2018

[51] Cl. 21-01

[54] 兒童布料圖書
Children cloth book

[73] 騰意嘉文化用品(廣州)有限公司
中國內地廣州市番禺區 橋南街草
河工業區南
二排1號201

[74] 琪鴻國際商務有限公司
香港灣仔
灣仔道165-171號 樂基
中心14樓1405C



[11] 1801883.2

[15] 13-09-2018

[30] 16-03-2018 / EM / 004761021

[51] Cl. 31-00

[54] 榨汁機

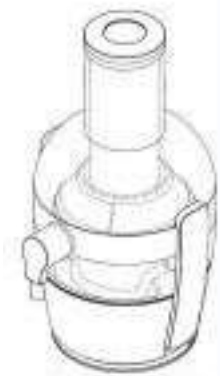
Juicer

[73] Koninklijke Philips N.V.

High Tech Campus 5,
5656 AE Eindhoven,
NETHERLANDS

[74] Wilkinson & Grist

6th Floor, Prince's Building,
Chater Road,
Hong Kong.



[11] 1801884.4

[15] 13-09-2018

[51] Cl. 3-01

[54] 安裝在手機上的旋轉器

Mobile phone mounted spinner

[73] Kikkerland Design, Inc.

666 Broadway Ave. 4th Floor,
New York, NY 10012,
UNITED STATES

[74] Spruson & Ferguson (Hong Kong) Limited

5001 Hopewell Centre,
183 Queen's Road East,
Hong Kong.



[11] 1801885.7

[15] 14-09-2018

[51] Cl. 23-04

[54] 空氣淨化機

Air purifier

[73] 真毅環境科技有限公司

香港新界沙田火炭

坳背灣街 34-36 號 豐盛工

業中心 A 座 1108 室

[74] 普衡知識產權代理有限公司

香港

上環永樂街 72-74 號 永利大

廈 9 字樓 C 室



[11] 1801886.9

[15] 14-09-2018

[30] 31-05-2018 / EM / 005291044-0001

[51] Cl. 9-01

[54] 瓶子

Bottle

[73] CLV FRONTIER BRANDS PTY LTD

1 Altona Street, West Perth,

Western Australia 6005,

AUSTRALIA

[74] SIT FUNG KWONG & SHUM

9th Floor, York House, The Landmark,

15 Queen's Road Central,

Hong Kong.



[11] 1801887.1M001

[15] 14-09-2018

[30] 16-03-2018 / EM / 004761005-0001

[51] Cl. 31-00

[54] 手持攪拌器

Hand blender

[73] Koninklijke Philips N.V.

High Tech Campus 5,

5656 AE Eindhoven,

NETHERLANDS

[74] Wilkinson & Grist

6th Floor, Prince's Building,

Chater Road,

Hong Kong.



[11] 1801887.1M002

[15] 14-09-2018

[30] 16-03-2018 / EM / 004761005-0002

[51] Cl. 31-00

[54] 攪拌器手棒

Hand bar for blender

[73] Koninklijke Philips N.V.
High Tech Campus 5,
5656 AE Eindhoven,
NETHERLANDS

[74] Wilkinson & Grist
6th Floor, Prince's Building,
Chater Road,
Hong Kong.



[11] 1801887.1M003

[15] 14-09-2018

[30] 16-03-2018 / EM / 004761005-0004

[51] Cl. 31-00

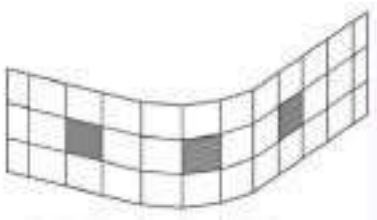
[54] 用於手持攪拌器的互鎖扣
Interlocking pill for hand blender

[73] Koninklijke Philips N.V.
High Tech Campus 5,
5656 AE Eindhoven,
NETHERLANDS

[74] Wilkinson & Grist
6th Floor, Prince's Building,
Chater Road,
Hong Kong.



- [11] 1801890.7
[15] 14-09-2018
[30] 14-08-2018 / KR / 30-2018-0037792
[51] Cl. 20-03
[54] 賣場入口裝飾構造物
Decorative structure for store entrance
[73] AMOREPACIFIC CORPORATION
100, Hangang-daero,
Yongsan-gu, Seoul,
KOREA, REPUBLIC OF
[74] TrademarkCN. Co. Ltd.
Blk. A, 4/F, Granville Building,
14 Granville Road, T.S.T.,
Kowloon, Hong Kong.



-
- [11] 1801894.5
[15] 14-09-2018
[51] Cl. 10-07
[54] 搖表器零件
Watch winder part
[73] 廣州谷馳工藝品有限公司
Guangzhou Guchi Craftwork CO.,LTD.
NO.16 East First Lane, Lianxin Street, Aigang Village,
Renhe Town, Baiyun District, Guangzhou City,
Guangdong Province, China
[74] HONG KONG INTELLECTUAL PROPERTY AGENT LIMITED
Unit 230, 2/F, Building 12W,
No.12 Science Park West Avenue,
Phase 3, Hong Kong Science Park, Pak Shek Kok, N.T., Hong
Kong.



[11] 1801897.2M001

[15] 17-09-2018

[30] 29-08-2018 / EM / 005623048-0001

[51] Cl. 24-02

[54] 內窺鏡的操作手柄

Endoscope control grip

[73] HOYA CORPORATION

6-10-1 Nishi-Shinjuku, Shinjuku-ku,
Tokyo 160-8347,
JAPAN

[74] Bird & Bird

4/F., Three Pacific Place,
1 Queen's Road East,
Hong Kong.



[11] 1801897.2M002

[15] 17-09-2018

[30] 29-08-2018 / EM / 005623048-0002

[51] Cl. 24-02

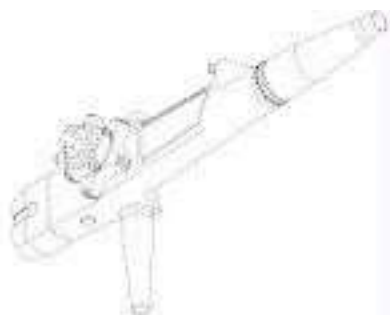
[54] 內窺鏡的操作手柄

Endoscope control grip

[73] HOYA CORPORATION

6-10-1 Nishi-Shinjuku, Shinjuku-ku,
Tokyo 160-8347,
JAPAN

- [74] Bird & Bird
4/F., Three Pacific Place,
1 Queen's Road East,
Hong Kong.



[11] 1801898.4

[15] 17-09-2018

[51] Cl. 7-02

[54] 煮食爐

Cooking stove

[73] 聯邦爐具(集團)有限公司

香港鰗魚涌

英皇道 997F 號 地

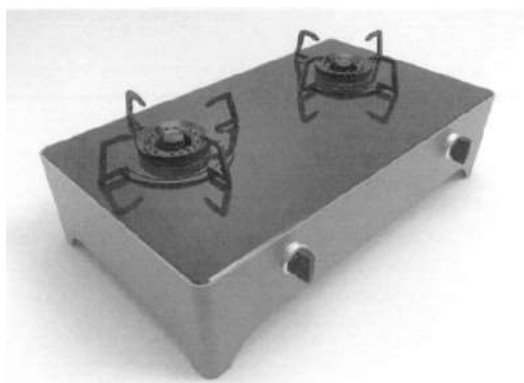
下及二樓

[74] 聯邦爐具(集團)有限公司

香港鰗魚涌

英皇道 997F 號 地

下及二樓



[11] 1801900.0

[15] 17-09-2018

[51] Cl. 12-06

[54] 遊船

Ship

[73] 無錫東方船研高性能船艇工程有限公司
中國內地江蘇省無錫市
惠山經濟開發區 洛
社配套區洛楊路

[74] 滙誠知識產權有限公司
香港灣仔
軒尼詩道 397 號
東區商業大廈 1206 室



[11] 1801901.2M001

[15] 17-09-2018

[30] 12-06-2018 / EM / 005308392-001

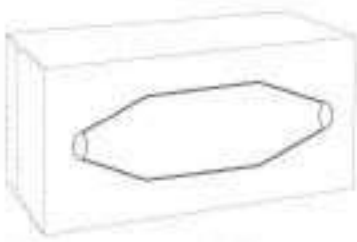
[51] Cl. 9-03

[54] 紙巾盒

Tissue box

[73] Essity Hygiene and Health Aktiebolag
Mölndals bro 2
Göteborg 405 03,
SWEDEN

[74] Deacons
5th Floor,
Alexandra House,
Central, Hong Kong.



[11] 1801901.2M002

[15] 17-09-2018

[30] 12-06-2018 / EM / 005308392-002

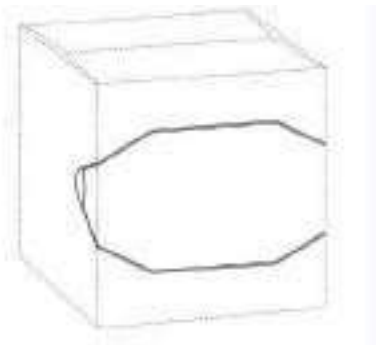
[51] Cl. 9-03

[54] 紙巾盒

Tissue box

[73] Essity Hygiene and Health Aktiebolag
Mölnbals bro 2
Göteborg 405 03,
SWEDEN

[74] Deacons
5th Floor,
Alexandra House,
Central, Hong Kong.



[11] 1801901.2M003

[15] 17-09-2018

[30] 12-06-2018 / EM / 005308392-003

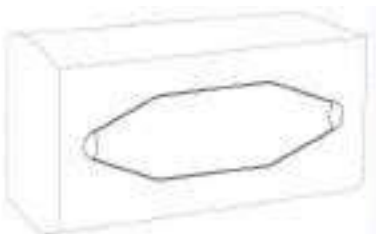
[51] Cl. 9-03

[54] 紙巾盒

Tissue box

[73] Essity Hygiene and Health Aktiebolag
Mölnbals bro 2
Göteborg 405 03,
SWEDEN

[74] Deacons
5th Floor,
Alexandra House,
Central, Hong Kong.



[11] 1801902.4M001

[15] 17-09-2018

[30] 03-04-2018 / EM, JP, NO, SG, CH / DM/100 575

[51] Cl. 7-02

[54] 奶泡機

Milk frother

[73] Pi-Design AG

Kantonsstrasse 100,

CH-6234 Triengen,

SWITZERLAND

[74] WENPING & CO.

1701 Tung Wai Commercial Building,

111 Gloucester Road,

Hong Kong.



[11] 1801902.4M002

[15] 17-09-2018

[30] 03-04-2018 / EM, JP, NO, SG, CH / DM/100 575

[51] Cl. 7-02

[54] 奶泡機

Milk frother

[73] Pi-Design AG

Kantonsstrasse 100,

CH-6234 Triengen,

SWITZERLAND

[74] WENPING & CO.

1701 Tung Wai Commercial Building,

111 Gloucester Road,

Hong Kong.



[11] 1801903.6

[15] 18-09-2018

[51] Cl. 16-06

[54] 運動眼鏡

Sports spectacles

[73] 吳愛華

中國內地浙江省

瑞安市莘塍鎮 董一
村

[74] 德龍知識產權集團(香港)有限公司

香港灣仔

軒尼詩道 338 號 北
海中心 10 樓 E 室



[11] 1801904.8

[15] 18-09-2018

[51] Cl. 9-01

[54] 香水瓶

Perfume bottle

[73] Burberry Limited

Horseferry House,

Horseferry Road,
UNITED KINGDOM

- [74] Hogan Lovells
11th Floor, One Pacific Place,
88 Queensway,
Hong Kong.



-
- [11] 1801906.3M001

- [15] 18-09-2018

- [51] Cl. 11-04

- [54] 花束擺設

Bouquet flower decoration

- [73] 顏昭鴻和余麗萍以日平藝術設計之名營業

Ngan Chiu Hung and Yu Lai Ping Trading As Icy Max Design

香港葵昌路 78 號

富都工業大廈 1205 室

- [74] 日平藝術設計

香港葵昌路 78 號

富都工業大廈 1205 室



-
- [11] 1801906.3M002

- [15] 18-09-2018

- [51] Cl. 11-04

- [54] 花擺設連玻璃瓶

Flower decoration with glass bottle

[73] 顏昭鴻和余麗萍以日平藝術設計之名營業

Ngan Chiu Hung and Yu Lai Ping Trading As Icy Max Design

香港葵昌路 78 號

富都工業大廈 1205 室

[74] 日平藝術設計

香港葵昌路 78 號

富都工業大廈 1205 室



[11] 1801906.3M003

[15] 18-09-2018

[51] Cl. 11-04

[54] 熊形花擺設

Bear shaped flower decoration

[73] 顏昭鴻和余麗萍以日平藝術設計之名營業

Ngan Chiu Hung and Yu Lai Ping Trading As Icy Max Design

香港葵昌路 78 號

富都工業大廈 1205 室

[74] 日平藝術設計

香港葵昌路 78 號

富都工業大廈 1205 室





香港特別行政區政府知識產權署外觀設計註冊處

The Government of the Hong Kong Special Administrative Region

Designs Registry, Intellectual Property Department

根據註冊外觀設計條例第28條，下列註冊外觀設計因未繳續期費而停止有效。各組記項按註冊外觀設計停止有效日期及註冊編號先後次序排列。

Registered designs ceased through non-payment of renewal fees under section

28 of the Registered Designs Ordinance. Entries are listed below under their expiry dates.

12-04-2019 - 17-04-2019

12-04-2019	0900589.7	16-04-2019
0410769.6	1400703.7M001	0900600.2M001
13-04-2019	1400703.7M002	0900600.2M002
0410776.1	1400704.9	0900600.2M003
0410779.7	1400705.2	0900608.9
0412484.2	1400706.4M001	0900609.1M001
0412485.5	1400706.4M002	0900609.1M002
0412486.7	1400706.4M003	0900609.1M003
0900578.4	1400706.4M004	0900610.3
1400695.9M001	1400706.4M005	0900612.7
1400695.9M002	1400706.4M006	0900613.9M001
1400696.1	1400706.4M007	0900613.9M002
1400697.3M001	1400706.4M008	0900613.9M003
1400697.3M002	1400706.4M009	1400717.7
1400697.3M003	1400706.4M010	1400718.9
1400697.3M004	1400706.4M011	1400719.1
1400698.5M001	1400706.4M012	1400720.3M001
1400698.5M002	1400707.6	1400720.3M002
1400698.5M003	1400708.8	1400721.5
1400699.7	1400709.0	1400722.7
1400700.1	15-04-2019	1400723.9M001
1400701.3		1400723.9M002
1400702.5	0410792.4	1400723.9M003
1401304.1	0900598.6	1400724.1M001
	1400713.8	1400724.1M002
14-04-2019	1400715.3M001	1400729.2
0410782.3M002	1400715.3M002	1400730.4
0410789.8	1400715.3M003	1400731.6
0900586.1	1400716.5	1402129.1M001
0900587.3	9910442.6	1402129.1M002
0900588.5	9910443.8	1402129.1M003
	9910444.0	1402129.1M004



香港特別行政區政府知識產權署外觀設計註冊處

The Government of the Hong Kong Special Administrative Region

Designs Registry, Intellectual Property Department

1402129.1M005

1402129.1M006

1402129.1M007

1402129.1M008

1402129.1M009

1402129.1M010

17-04-2019

1400732.8

根據註冊外觀設計規則第31條刪除的註冊外觀設計。各組記項按註冊外觀設計 刪除日期及註冊編號先後次序排列。

Registered designs removed under section 31 of the Registered Designs Rules. Entries are listed below under their removal dates.

11-04-2019 - 17-04-2019**11-04-2019**

0410769.6

1301750.6M001

9811280.2M003

1301750.6M002

17-04-2019**16-04-2019**

0311652.8

1301750.6M003

0311698.5

0311667.0M001

1301750.6M004

0802475.6

0311667.0M002

1301752.0

0802482.0

0311673.2

1301753.2

0802483.2

0311674.4

1301754.4

0802486.9M001

0311679.5

1301755.7

1301775.9M001

0311680.7M001

1301756.9

1301777.3M001

0311680.7M002

1301757.1

1301777.3M002

0311680.7M003

1301758.3

1301780.9

0311684.5

1301759.5

1301781.1

0802420.0

1301760.7M001

1301783.5

0802438.8

1301760.7M002

1301785.0

0802471.7

1301764.5M001

1301786.2

0802472.9

1301764.5M002

0802473.1

1301765.8

1301749.4M001

1301766.0

1301749.4M002

1301767.2M001

1301749.4M003

1301769.6

1301749.4M004

9811277.6

1301749.4M005

9811278.8

1301749.4M006

9811279.0

1301749.4M007

9811280.2M001

1301749.4M008

9811280.2M002