

# 香港知識產權公報

Hong Kong Intellectual Property Journal

2021 年 12 月 3 日  
03 December 2021

## 目錄 Contents

### 根據註冊外觀設計條例第 25 條註冊的外觀設計

#### **Designs Registered under section 25 of the Registered Designs Ordinance**

按註冊編號排列

Arranged by Registration Number

### 根據註冊外觀設計條例(第 522 章)公布的其他公告

#### **Other Notices Published under the Registered Designs Ordinance (Cap. 522)**

根據註冊外觀設計條例第 28 條，註冊外觀設計因未繳續期費而停止有效

Registered designs ceased through non-payment of renewal fees under section 28 of the Registered Designs Ordinance

根據註冊外觀設計規則第 31 條刪除的註冊外觀設計

Registered designs removed under section 31 of the Registered Designs Rules

勘誤

Corrigendum

### 以下事項沒有記錄

#### **No Records for the Following Matters**

根據註冊外觀設計條例第 30 條放棄的外觀設計的註冊

Surrender of Registration of Design under section 30 of the Registered Designs Ordinance

根據註冊外觀設計規則第 37 條，向處長作出轉介

Reference to Registrar under section 37 of the Registered Designs Rules

根據註冊外觀設計條例第 45 條，撤銷註冊

Revocation of Registration under section 45 of the Registered Designs Ordinance

根據註冊外觀設計規則第 46 條，向法院作出轉介

Reference to Court under section 46 of the Registered Designs Rules

根據註冊外觀設計規則第 63 條對不符合規定之處作出糾正

Rectification of Irregularities under section 63 of the Registered Designs Rules

根據註冊外觀設計條例第 66 條，糾正註冊紀錄冊

Rectification of Register under section 66 of the Registered Designs Ordinance

根據註冊外觀設計條例第 67 條 更正註冊紀錄冊內的錯誤

Correction of errors in Register under section 67 of the Registered Designs Ordinance

根據註冊外觀設計條例第 67 及 76 條，更正註冊紀錄冊內及已提交文件中的錯誤

Correction of Errors in Register and in Filed Documents under sections 67 and 76 of the Registered Designs Ordinance

根據註冊外觀設計條例第 76 條，更正已提交文件中的錯誤

Correction of errors in filed documents under section 76 of the Registered Designs Ordinance

## 註冊外觀設計公告註釋

### Notes on advertisements of registration of designs

方括號表示下列資料：

Square brackets indicate the following data：

[11] 註冊編號 Registration number / 聯合王國註冊編號 United Kingdom registration number

[15] 註冊日期 Registration date / 當作註冊日期 Deemed registration date / 聯合王國註冊日期 United Kingdom registration date

[17] 註冊有效期屆滿日期 Expiry date of the period of registration

[22] 提交日期 Filing date / 當作提交日期 Deemed filing date / 聯合王國提交日期 United Kingdom filing date

[30] 聲稱享有的優先權（提交日期 / 巴黎公約國或世界貿易組織成員 / 申請編號） Priority claimed (filing date / Paris Convention country or WTO member / application number)

[51] 國際外觀設計分類號（洛迦諾分類號） International Classification of designs (Locarno Classification)

[54] 物品 Article

[55] 外觀設計的表述 Representation of the design

[62] 分開前的申請編號及提交日期 Application number before division and filing date

[66] 過往註冊的聯繫外觀設計註冊編號 / 日期 Registration No. / Date of Previous Registration for Association

[72] 設計人 Designer

[73] 擁有人姓名和地址 Name and address of the owner

[74] 代理人 Agent /送達地址 Address for service



香港特別行政區政府知識產權署外觀設計註冊處

The Government of the Hong Kong Special Administrative Region

Designs Registry, Intellectual Property Department

## 根據註冊外觀設計條例第 25 條註冊的外觀設計

### Designs registered under section 25 of the Registered Designs Ordinance

按註冊編號排列

Arranged by Registration Number

[11] 2117694.4

[15] 15-03-2021

[30] 16-09-2020 / DE / 40 2020 100 866.4

[51] Cl. 12-08

[54] 汽車

Motor vehicle

[73] VOLKSWAGEN AKTIENGESELLSCHAFT

Berliner Ring 2

38440 Wolfsburg

Germany

[74] CHINA PATENT AGENT (HONG KONG) LIMITED

22/F, Great Eagle Centre,

23 Harbour Road, Wanchai

Hong Kong



[11] 2117695.7

[15] 15-03-2021

[30] 16-09-2020 / DE / 40 2020 100 865.6

[51] Cl. 12-08

[54] 汽車

Motor vehicle

[73] VOLKSWAGEN AKTIENGESELLSCHAFT

Berliner Ring 2

38440 Wolfsburg  
Germany

[74] CHINA PATENT AGENT (HONG KONG) LIMITED  
22/F, Great Eagle Centre,  
23 Harbour Road, Wanchai  
Hong Kong



---

[11] 2117696.9

[15] 15-03-2021

[30] 16-09-2020 / DE / 40 2020 100 865.6

[51] Cl. 21-01

[54] 玩具車

Toy vehicle

[73] VOLKSWAGEN AKTIENGESELLSCHAFT  
Berliner Ring 2  
38440 Wolfsburg  
Germany

[74] CHINA PATENT AGENT (HONG KONG) LIMITED  
22/F, Great Eagle Centre,  
23 Harbour Road, Wanchai  
Hong Kong



---

[11] 2117697.1

[15] 15-03-2021

[30] 16-09-2020 / DE / 40 2020 100 866.4

[51] Cl. 21-01

[54] 玩具車

Toy vehicle

[73] VOLKSWAGEN AKTIENGESELLSCHAFT

Berliner Ring 2

38440 Wolfsburg

Germany

[74] CHINA PATENT AGENT (HONG KONG) LIMITED

22/F, Great Eagle Centre,

23 Harbour Road, Wanchai

Hong Kong



---

[11] 2117964.7

[15] 06-05-2021

[30] 06-11-2020 / US / 29/757,546

[51] Cl. 24-01

[54] 可穿戴式溫度理療系統

Wearable temperature therapy system

[73] RecoverX, LLC.

525 Technology Drive, Suite 100,

Irvine, California 92618,

United States

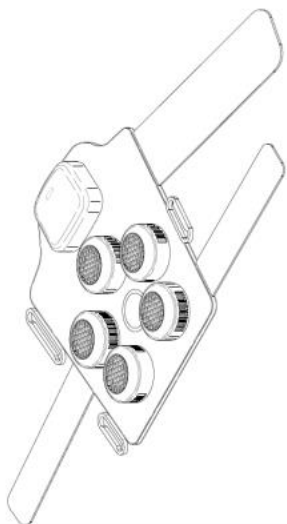
[74] CHINA PATENT AGENT (HONG KONG) LIMITED

22/F, Great Eagle Centre,

23 Harbour Road,

Wanchai, Hong Kong





---

[11] 2118208.6

[15] 21-06-2021

[30] 21-12-2020 / US / 29/763,116

[51] Cl. 23-04

[54] 排氣尖

Vented tip

[73] Bausch Health Ireland Limited

3013 Lake Drive, Citywest Business Campus,

Dublin, Ireland 24,

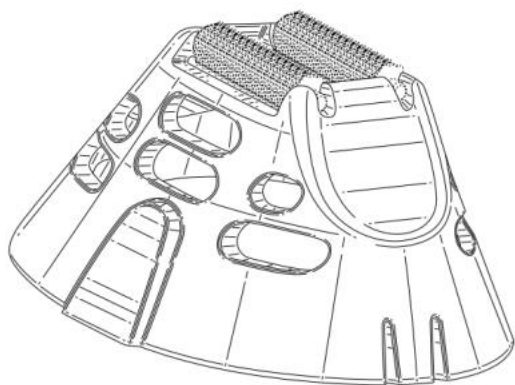
Ireland

[74] LIU, SHEN & ASSOCIATES

Room 3716, 37/F, Sun Hung Kai Centre,

30 Harbour Road,

Wanchai, Hong Kong



---

[11] 2118263.1

[15] 30-06-2021

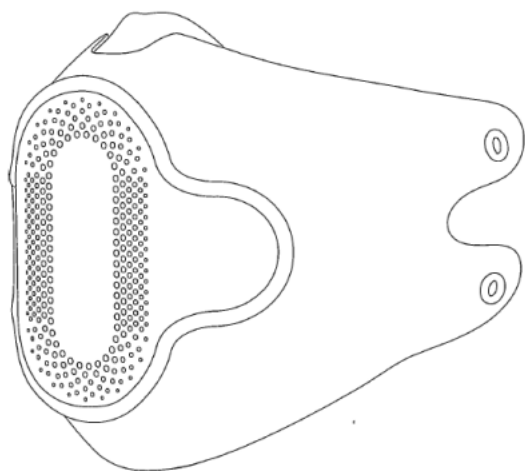
[30] 26-06-2021 / CN / 202130399738.0

[51] Cl. 29-02

[54] 口罩  
Mask

[73] 港偉企業有限公司  
Global Rise Enterprises Limited  
Flat/Rm 01-02, 11/F, Office Tower Two Grand Plaza,  
625 & 639 Nathan Road,  
Mongkok, Kowloon, Hong Kong

[74] TITUS  
Suite 2302, 23/F, World Wide House,  
19 Des Voeux Road Central,  
Central, Hong Kong



---

[11] 2118264.3

[15] 30-06-2021

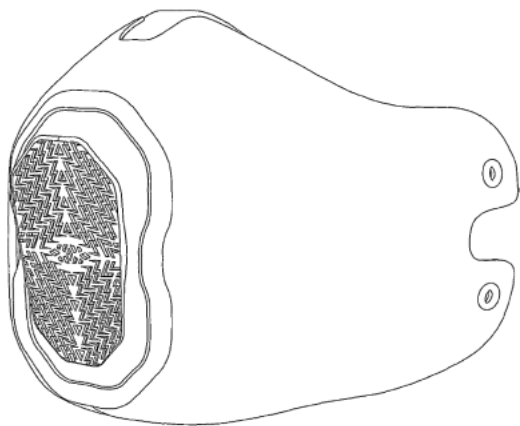
[30] 26-06-2021 / CN / 202130399713.0

[51] Cl. 29-02

[54] 口罩  
Mask

[73] 港偉企業有限公司  
Global Rise Enterprises Limited  
Flat/Rm 01-02, 11/F, Office Tower Two Grand Plaza,  
625 & 639 Nathan Road,  
Mongkok, Kowloon, Hong Kong

[74] TITUS  
Suite 2302, 23/F, World Wide House,  
19 Des Voeux Road Central,  
Central, Hong Kong



[11] 2118314.0

[15] 12-07-2021

[30] 02-07-2021 / CN / 202130416334.8

[51] Cl. 24-01

[54] 可彎曲臂

Bendable arm

[73] 普銳醫療(香港)有限公司

PRECISION ROBOTICS (HONG KONG) LIMITED

香港新界

沙田香港科學園

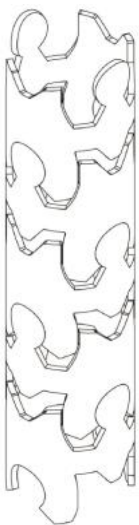
浚湖樓 6 樓 611-612 室

[74] 江炳滔律師事務所

香港灣仔

告士打道 160 號

海外信託銀行大廈 19 樓 B 室

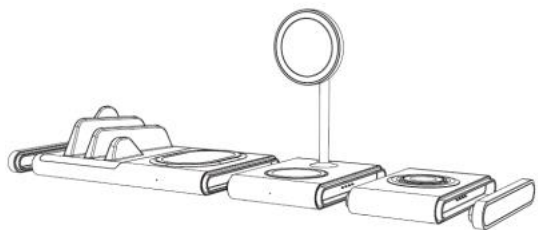


- [11] 2118315.3  
[15] 12-07-2021  
[30] 02-07-2021 / CN / 202130416421.3  
[51] Cl. 24-01  
[54] 可彎曲臂的連接節段  
Connecting joint of the bendable arm  
[73] 普銳醫療(香港)有限公司  
PRECISION ROBOTICS (HONG KONG) LIMITED  
香港新界  
沙田香港科學園  
浚湖樓 6 樓 611-612 室  
[74] 江炳滔律師事務所  
香港灣仔  
告士打道 160 號  
海外信託銀行大廈 19 樓 B 室

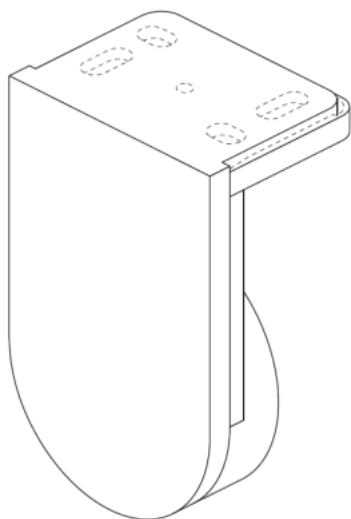


- 
- [11] 2118501.8  
[15] 13-08-2021  
[30] 07-06-2021 / CN / 202130349292.0  
[51] Cl. 13-02  
[54] 無線充電器套裝  
Wireless charger set  
[73] 前海駿達(深圳)股權投資有限公司  
QIANHAI JUNDA (SHENZHEN) EQUITY INVESTMENT CO., LTD.  
中國內地  
廣東省深圳市龍華新區大浪街道同勝社區華榮路  
聯建科技工業園廠房 8 棟 4, 5, 6 樓

- [74] 中一聯合國際知識產權有限公司  
香港九龍  
尖沙咀漆咸道南 45-51 號  
其士大廈 803 室



- 
- [11] 2118564.0M001  
[15] 25-08-2021  
[30] 26-02-2021 / US / 29/772,085  
[51] Cl. 8-08  
[54] 用於窗上用品的托架  
Bracket applied to a window treatment  
[73] LUTRON TECHNOLOGY COMPANY LLC  
7200 Suter Road,  
Coopersburg, PA 18036,  
United States of America  
[74] CHINA SINDA INTELLECTUAL PROPERTY LIMITED  
Suite 3301, One Exchange Square,  
Central,  
Hong Kong



- 
- [11] 2118564.0M002  
[15] 25-08-2021

[30] 26-02-2021 / US / 29/772,085

[51] Cl. 8-08

[54] 用於窗上用品的托架

Bracket applied to a window treatment

[73] LUTRON TECHNOLOGY COMPANY LLC

7200 Suter Road,

Coopersburg, PA 18036,

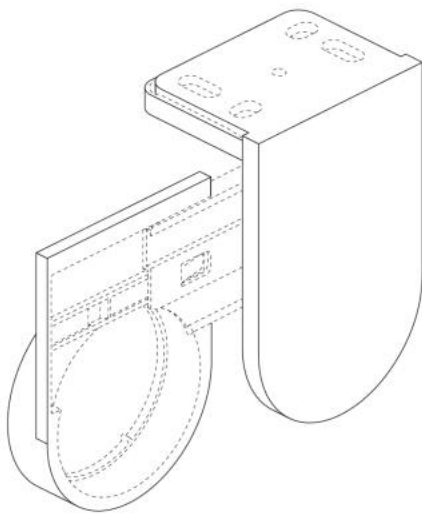
United States of America

[74] CHINA SINDA INTELLECTUAL PROPERTY LIMITED

Suite 3301, One Exchange Square,

Central,

Hong Kong



---

[11] 2118564.0M003

[15] 25-08-2021

[30] 26-02-2021 / US / 29/772,085

[51] Cl. 8-08

[54] 用於窗上用品的托架

Bracket applied to a window treatment

[73] LUTRON TECHNOLOGY COMPANY LLC

7200 Suter Road,

Coopersburg, PA 18036,

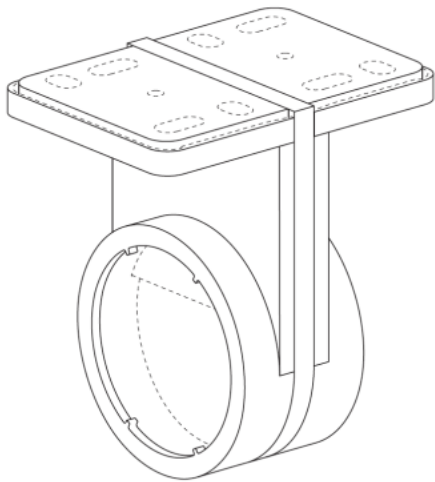
United States of America

[74] CHINA SINDA INTELLECTUAL PROPERTY LIMITED

Suite 3301, One Exchange Square,

Central,

Hong Kong



---

[11] 2118564.0M004

[15] 25-08-2021

[30] 26-02-2021 / US / 29/772,085

[51] Cl. 8-08

[54] 用於窗上用品的托架

Bracket applied to a window treatment

[73] LUTRON TECHNOLOGY COMPANY LLC

7200 Suter Road,

Coopersburg, PA 18036,

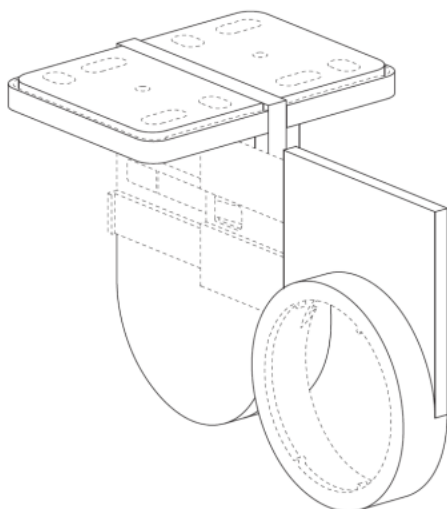
United States of America

[74] CHINA SINDA INTELLECTUAL PROPERTY LIMITED

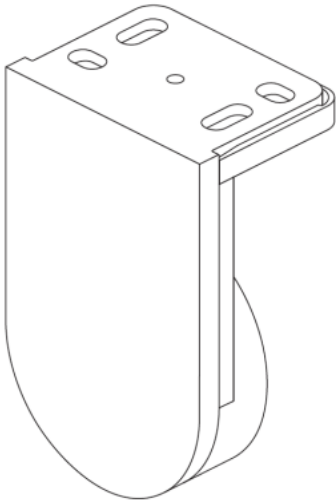
Suite 3301, One Exchange Square,

Central,

Hong Kong

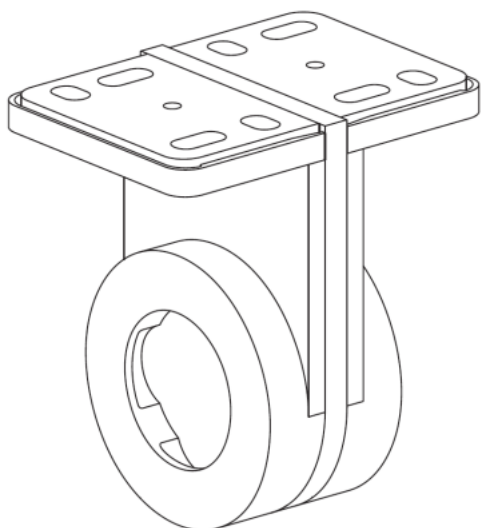


- [11] 2118564.0M005  
[15] 25-08-2021  
[30] 26-02-2021 / US / 29/772,085  
[51] Cl. 8-08  
[54] 用於窗上用品的托架  
Bracket applied to a window treatment  
[73] LUTRON TECHNOLOGY COMPANY LLC  
7200 Suter Road,  
Coopersburg, PA 18036,  
United States of America  
[74] CHINA SINDA INTELLECTUAL PROPERTY LIMITED  
Suite 3301, One Exchange Square,  
Central,  
Hong Kong



- 
- [11] 2118564.0M006  
[15] 25-08-2021  
[30] 26-02-2021 / US / 29/772,085  
[51] Cl. 8-08  
[54] 用於窗上用品的托架  
Bracket applied to a window treatment  
[73] LUTRON TECHNOLOGY COMPANY LLC  
7200 Suter Road,  
Coopersburg, PA 18036,  
United States of America  
[74] CHINA SINDA INTELLECTUAL PROPERTY LIMITED  
Suite 3301, One Exchange Square,  
Central,  
Hong Kong





---

[11] 2118564.0M007

[15] 25-08-2021

[30] 26-02-2021 / US / 29/772,085

[51] Cl. 8-08

[54] 用於窗上用品的托架

Bracket applied to a window treatment

[73] LUTRON TECHNOLOGY COMPANY LLC

7200 Suter Road,

Coopersburg, PA 18036,

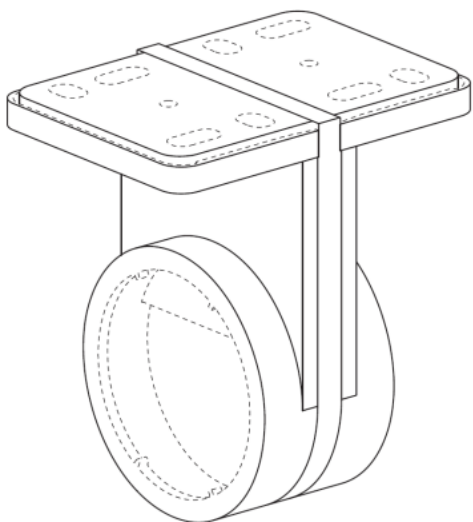
United States of America

[74] CHINA SINDA INTELLECTUAL PROPERTY LIMITED

Suite 3301, One Exchange Square,

Central,

Hong Kong



[11] 2118564.0M008

[15] 25-08-2021

[30] 26-02-2021 / US / 29/772,085

[51] Cl. 8-08

[54] 用於窗上用品的托架

Bracket applied to a window treatment

[73] LUTRON TECHNOLOGY COMPANY LLC

7200 Suter Road,

Coopersburg, PA 18036,

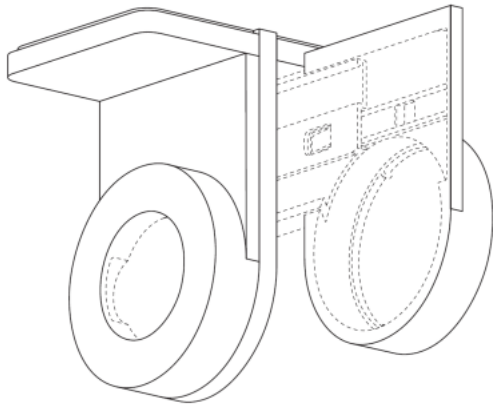
United States of America

[74] CHINA SINDA INTELLECTUAL PROPERTY LIMITED

Suite 3301, One Exchange Square,

Central,

Hong Kong



---

[11] 2118564.0M009

[15] 25-08-2021

[30] 26-02-2021 / US / 29/772,085

[51] Cl. 8-08

[54] 用於窗上用品的托架

Bracket applied to a window treatment

[73] LUTRON TECHNOLOGY COMPANY LLC

7200 Suter Road,

Coopersburg, PA 18036,

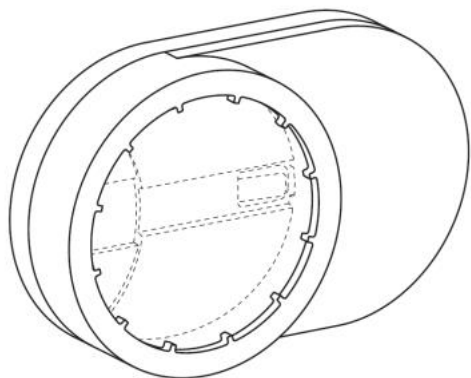
United States of America

[74] CHINA SINDA INTELLECTUAL PROPERTY LIMITED

Suite 3301, One Exchange Square,

Central,

Hong Kong



---

[11] 2118564.0M010

[15] 25-08-2021

[30] 26-02-2021 / US / 29/772,085

[51] Cl. 8-08

[54] 用於窗上用品的托架

Bracket applied to a window treatment

[73] LUTRON TECHNOLOGY COMPANY LLC

7200 Suter Road,

Coopersburg, PA 18036,

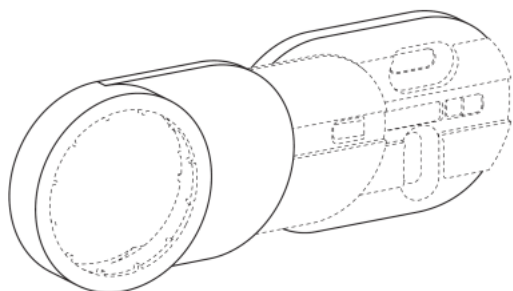
United States of America

[74] CHINA SINDA INTELLECTUAL PROPERTY LIMITED

Suite 3301, One Exchange Square,

Central,

Hong Kong



---

[11] 2118564.0M011

[15] 25-08-2021

[30] 26-02-2021 / US / 29/772,085

[51] Cl. 8-08

[54] 用於窗上用品的托架

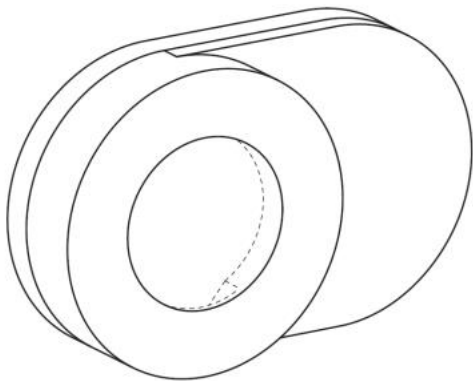
Bracket applied to a window treatment

[73] LUTRON TECHNOLOGY COMPANY LLC

7200 Suter Road,

Coopersburg, PA 18036,  
United States of America

[74] CHINA SINDA INTELLECTUAL PROPERTY LIMITED  
Suite 3301, One Exchange Square,  
Central,  
Hong Kong



---

[11] 2118566.5M001

[15] 25-08-2021

[30] 26-02-2021 / US / 29/772,092

[51] Cl. 8-08

[54] 用於窗上用品的托架

Bracket applied to a window treatment

[73] LUTRON TECHNOLOGY COMPANY LLC

7200 Suter Road,

Coopersburg, PA 18036,

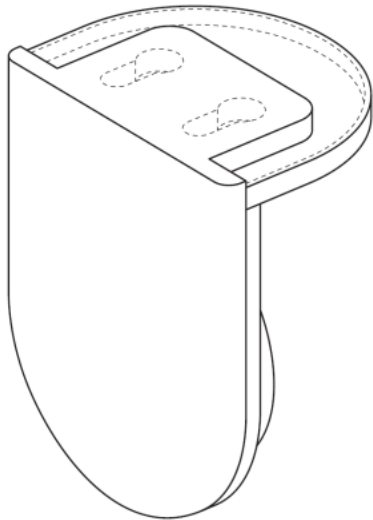
United States of America

[74] CHINA SINDA INTELLECTUAL PROPERTY LIMITED

Suite 3301, One Exchange Square,

Central,

Hong Kong



---

[11] 2118566.5M002

[15] 25-08-2021

[30] 26-02-2021 / US / 29/772,092

[51] Cl. 8-08

[54] 用於窗上用品的托架

Bracket applied to a window treatment

[73] LUTRON TECHNOLOGY COMPANY LLC

7200 Suter Road,

Coopersburg, PA 18036,

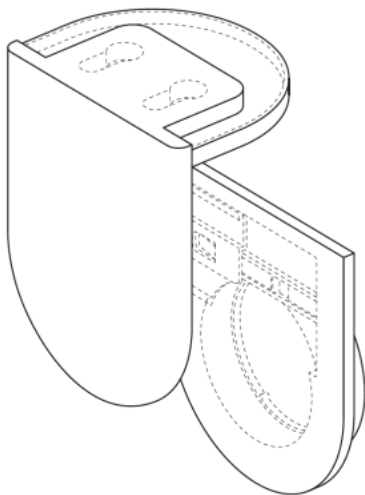
United States of America

[74] CHINA SINDA INTELLECTUAL PROPERTY LIMITED

Suite 3301, One Exchange Square,

Central,

Hong Kong



[11] 2118566.5M003

[15] 25-08-2021

[30] 26-02-2021 / US / 29/772,092

[51] Cl. 8-08

[54] 用於窗上用品的托架

Bracket applied to a window treatment

[73] LUTRON TECHNOLOGY COMPANY LLC

7200 Suter Road,

Coopersburg, PA 18036,

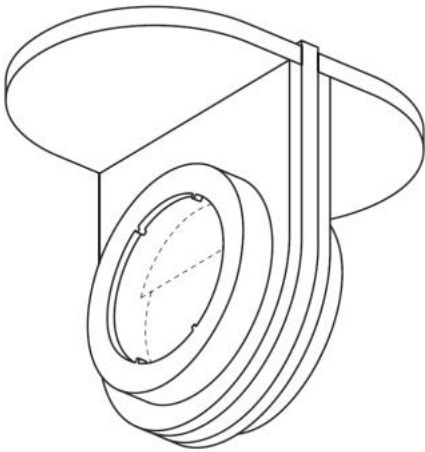
United States of America

[74] CHINA SINDA INTELLECTUAL PROPERTY LIMITED

Suite 3301, One Exchange Square,

Central,

Hong Kong



---

[11] 2118566.5M004

[15] 25-08-2021

[30] 26-02-2021 / US / 29/772,092

[51] Cl. 8-08

[54] 用於窗上用品的托架

Bracket applied to a window treatment

[73] LUTRON TECHNOLOGY COMPANY LLC

7200 Suter Road,

Coopersburg, PA 18036,

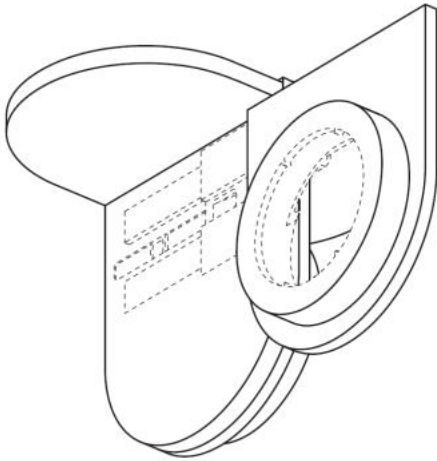
United States of America

[74] CHINA SINDA INTELLECTUAL PROPERTY LIMITED

Suite 3301, One Exchange Square,

Central,

Hong Kong



---

[11] 2118566.5M005

[15] 25-08-2021

[30] 26-02-2021 / US / 29/772,092

[51] Cl. 8-08

[54] 用於窗上用品的托架

Bracket applied to a window treatment

[73] LUTRON TECHNOLOGY COMPANY LLC

7200 Suter Road,

Coopersburg, PA 18036,

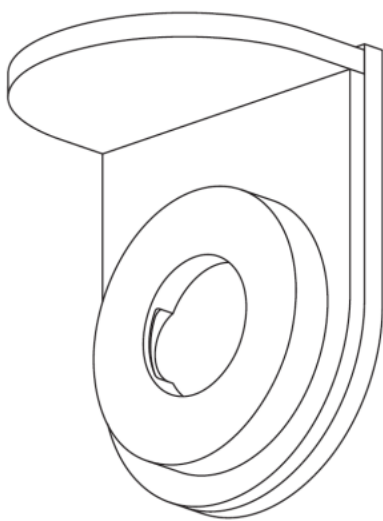
United States of America

[74] CHINA SINDA INTELLECTUAL PROPERTY LIMITED

Suite 3301, One Exchange Square,

Central,

Hong Kong



---

[11] 2118566.5M006

[15] 25-08-2021

[30] 26-02-2021 / US / 29/772,092

[51] Cl. 8-08

[54] 用於窗上用品的托架

Bracket applied to a window treatment

[73] LUTRON TECHNOLOGY COMPANY LLC

7200 Suter Road,

Coopersburg, PA 18036,

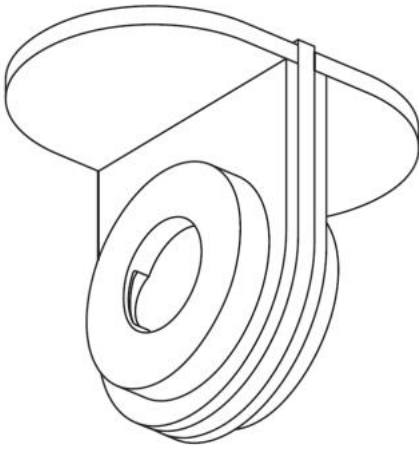
United States of America

[74] CHINA SINDA INTELLECTUAL PROPERTY LIMITED

Suite 3301, One Exchange Square,

Central,

Hong Kong



---

[11] 2118566.5M007

[15] 25-08-2021

[30] 26-02-2021 / US / 29/772,092

[51] Cl. 8-08

[54] 用於窗上用品的托架

Bracket applied to a window treatment

[73] LUTRON TECHNOLOGY COMPANY LLC

7200 Suter Road,

Coopersburg, PA 18036,

United States of America

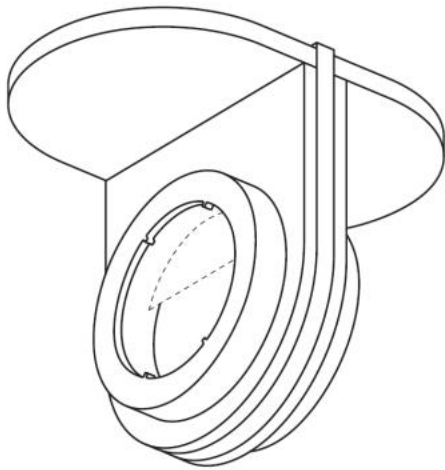
[74] CHINA SINDA INTELLECTUAL PROPERTY LIMITED

Suite 3301, One Exchange Square,

Central,

Hong Kong





---

[11] 2118566.5M008

[15] 25-08-2021

[30] 26-02-2021 / US / 29/772,092

[51] Cl. 8-08

[54] 用於窗上用品的托架

Bracket applied to a window treatment

[73] LUTRON TECHNOLOGY COMPANY LLC

7200 Suter Road,

Coopersburg, PA 18036,

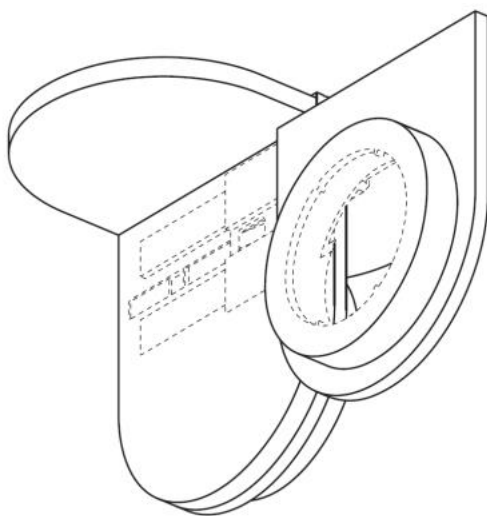
United States of America

[74] CHINA SINDA INTELLECTUAL PROPERTY LIMITED

Suite 3301, One Exchange Square,

Central,

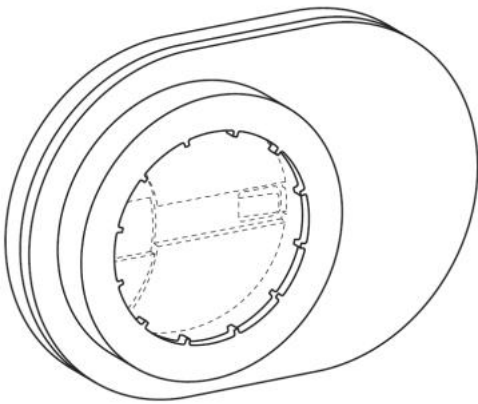
Hong Kong



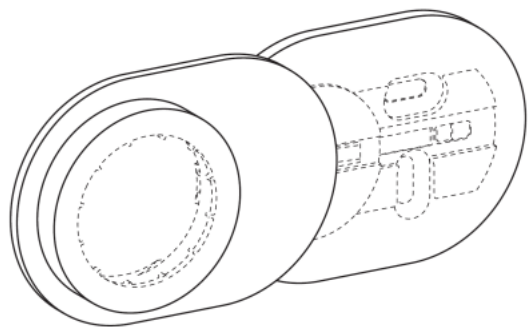
---

[11] 2118566.5M009

- [15] 25-08-2021
- [30] 26-02-2021 / US / 29/772,092
- [51] Cl. 8-08
- [54] 用於窗上用品的托架  
Bracket applied to a window treatment
- [73] LUTRON TECHNOLOGY COMPANY LLC  
7200 Suter Road,  
Coopersburg, PA 18036,  
United States of America
- [74] CHINA SINDA INTELLECTUAL PROPERTY LIMITED  
Suite 3301, One Exchange Square,  
Central,  
Hong Kong



- 
- [11] 2118566.5M010
- [15] 25-08-2021
- [30] 26-02-2021 / US / 29/772,092
- [51] Cl. 8-08
- [54] 用於窗上用品的托架  
Bracket applied to a window treatment
- [73] LUTRON TECHNOLOGY COMPANY LLC  
7200 Suter Road,  
Coopersburg, PA 18036,  
United States of America
- [74] CHINA SINDA INTELLECTUAL PROPERTY LIMITED  
Suite 3301, One Exchange Square,  
Central,  
Hong Kong



---

[11] 2118566.5M011

[15] 25-08-2021

[30] 26-02-2021 / US / 29/772,092

[51] Cl. 8-08

[54] 用於窗上用品的托架

Bracket applied to a window treatment

[73] LUTRON TECHNOLOGY COMPANY LLC

7200 Suter Road,

Coopersburg, PA 18036,

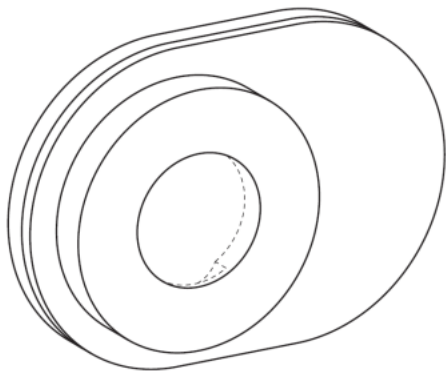
United States of America

[74] CHINA SINDA INTELLECTUAL PROPERTY LIMITED

Suite 3301, One Exchange Square,

Central,

Hong Kong



---

[11] 2118640.2

[15] 09-09-2021

[30] 09-03-2021 / CN / 202130126712.9

[51] Cl. 14-03

[54] 遙控器

Remote control

[73] 北京小米移動軟件有限公司  
Beijing Xiaomi Mobile Software Co., Ltd.  
中國內地  
北京市海澱區西二旗中路 33 號院  
6 號樓 8 層 018 號

[74] 隆天專利商標代理有限公司  
香港  
長沙灣青山道 485 號  
九龍廣場 10 樓 11 室



---

[11] 2118666.7

[15] 10-09-2021

[30] 11-03-2021 / CN / 202130131267.5

[51] Cl. 15-05

[54] 智能掃地機器人  
Intelligent sweeping robot

[73] 北京小米移動軟件有限公司  
BEIJING XIAOMI MOBILE SOFTWARE CO., LTD.  
中國內地  
北京市海澱區西二旗中路 33 號院  
6 號樓 8 層 018 號

[74] 香港派特恩知識產權代理有限公司  
香港上環  
永樂街 121-125 號  
永達商業大廈 10 樓 C 室



---

[11] 2118675.6M001

[15] 14-09-2021

[30] 15-03-2021 / CN / 202130138951.6

[51] Cl. 14-01

[54] 耳機

Earphone

[73] 北京小米移動軟件有限公司

BEIJING XIAOMI MOBILE SOFTWARE CO., LTD.

中國內地

北京市海澱區西二旗中路 33 號院

6 號樓 8 層 018 號

[74] 香港派特恩知識產權代理有限公司

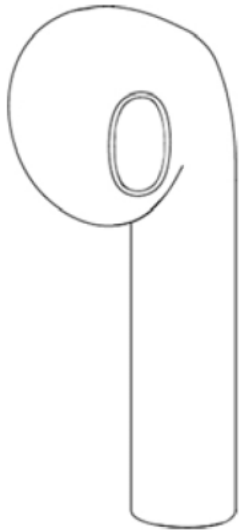
香港上環

永樂街 121-125 號

永達商業大廈 10 樓 C 室



- [11] 2118675.6M002  
[15] 14-09-2021  
[30] 15-03-2021 / CN / 202130138951.6  
[51] Cl. 14-01  
[54] 耳機  
Earphone  
[73] 北京小米移動軟件有限公司  
BEIJING XIAOMI MOBILE SOFTWARE CO., LTD.  
中國內地  
北京市海澱區西二旗中路 33 號院  
6 號樓 8 層 018 號  
[74] 香港派特恩知識產權代理有限公司  
香港上環  
永樂街 121-125 號  
永達商業大廈 10 樓 C 室



- 
- [11] 2118687.1  
[15] 15-09-2021  
[51] Cl. 12-16  
[54] 汽車車輪的中心蓋板  
Center cap for automobile wheel  
[73] Rays Co., Ltd.  
4-7, 2-chome, Nagata-nishi,  
Higashi-Osaka-shi, Osaka,  
Japan  
[74] WENPING PATENT & TRADE MARK AGENT LIMITED  
1701 Tung Wai Commercial Building,  
111 Gloucester Road,  
Hong Kong



---

[11] 2118688.3M001

[15] 15-09-2021

[30] 17-03-2021 / US / 29/774,502

[51] Cl. 14-04

[54] 帶有圖形用戶界面的顯示屏或顯示屏的一部分

Display screen or portion thereof with graphical user interface

[73] ILLUMINA, INC.

5200 Illumina Way,

San Diego, CA 92122,

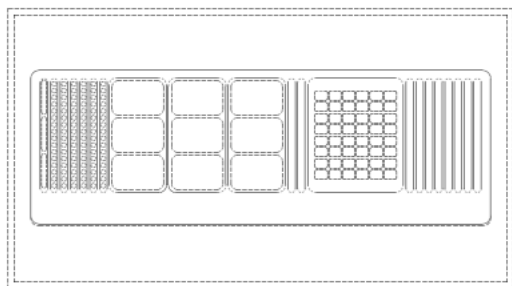
United States of America

[74] WILKINSON & GRIST

6th Floor, Prince's Building,

Chater Road,

Hong Kong



---

[11] 2118688.3M002

[15] 15-09-2021

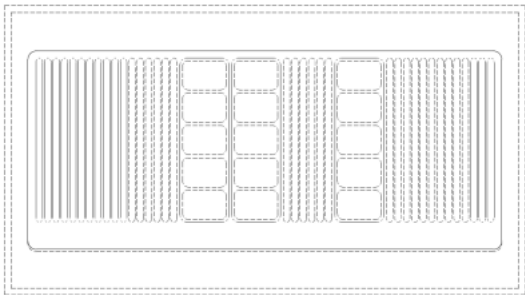
[30] 17-03-2021 / US / 29/774,502

[51] Cl. 14-04

[54] 帶有圖形用戶界面的顯示屏或顯示屏的一部分  
Display screen or portion thereof with graphical user interface

[73] ILLUMINA, INC.  
5200 Illumina Way,  
San Diego, CA 92122,  
United States of America

[74] WILKINSON & GRIST  
6th Floor, Prince's Building,  
Chater Road,  
Hong Kong



---

[11] 2118688.3M003

[15] 15-09-2021

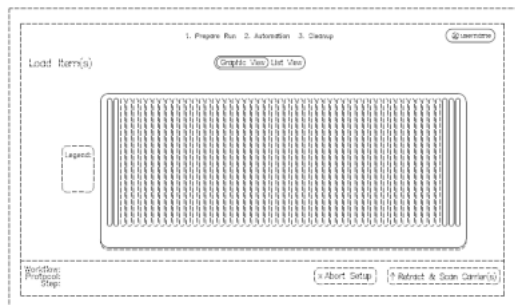
[30] 17-03-2021 / US / 29/774,502

[51] Cl. 14-04

[54] 帶有圖形用戶界面的顯示屏或顯示屏的一部分  
Display screen or portion thereof with graphical user interface

[73] ILLUMINA, INC.  
5200 Illumina Way,  
San Diego, CA 92122,  
United States of America

[74] WILKINSON & GRIST  
6th Floor, Prince's Building,  
Chater Road,  
Hong Kong





[11] 2118691.9M001

[15] 16-09-2021

[30] 26-03-2021 / NZ / 428735

[51] Cl. 23-01

[54] 連接件

A connector

[73] BFM TECHNOLOGY LIMITED

22-24 Bay Park Place,

Beach Haven,

Auckland,

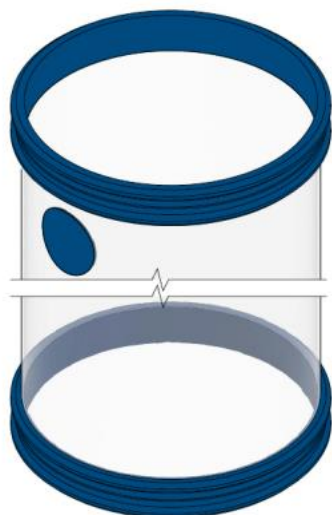
New Zealand

[74] SIT, FUNG, KWONG & SHUM

9th Floor, York House, The Landmark,

15 Queen's Road Central,

Hong Kong



[11] 2118691.9M002

[15] 16-09-2021

[30] 26-03-2021 / NZ / 428735

[51] Cl. 23-01

[54] 連接件

A connector

[73] BFM TECHNOLOGY LIMITED

22-24 Bay Park Place,

Beach Haven,

Auckland,

New Zealand

[74] SIT, FUNG, KWONG & SHUM

9th Floor, York House, The Landmark,

15 Queen's Road Central,  
Hong Kong



---

[11] 2118691.9M003

[15] 16-09-2021

[30] 26-03-2021 / NZ / 428735

[51] Cl. 23-01

[54] 連接件

A connector

[73] BFM TECHNOLOGY LIMITED

22-24 Bay Park Place,

Beach Haven,

Auckland,

New Zealand

[74] SIT, FUNG, KWONG & SHUM

9th Floor, York House, The Landmark,

15 Queen's Road Central,

Hong Kong



---

[11] 2118691.9M004

[15] 16-09-2021

[30] 26-03-2021 / NZ / 428735

[51] Cl. 23-01

[54] 連接件

A connector

[73] BFM TECHNOLOGY LIMITED

22-24 Bay Park Place,

Beach Haven,

Auckland,

New Zealand

[74] SIT, FUNG, KWONG & SHUM

9th Floor, York House, The Landmark,

15 Queen's Road Central,

Hong Kong



[11] 2118692.1M001

[15] 16-09-2021

[30] 16-03-2021 / CN / 202130141533.2

[51] Cl. 14-01

[54] 耳機

Earphone

[73] 北京小米移動軟件有限公司

BEIJING XIAOMI MOBILE SOFTWARE CO., LTD.

中國內地

北京市海澱區西二旗中路 33 號院

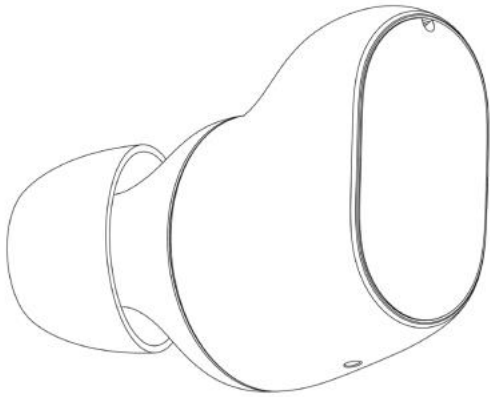
6 號樓 8 層 018 號

[74] 香港派特恩知識產權代理有限公司

香港上環

永樂街 121-125 號

永達商業大廈 10 樓 C 室



---

[11] 2118692.1M002

[15] 16-09-2021

[30] 16-03-2021 / CN / 202130141533.2

[51] Cl. 14-01

[54] 耳機

Earphone

[73] 北京小米移動軟件有限公司

BEIJING XIAOMI MOBILE SOFTWARE CO., LTD.

中國內地

北京市海澱區西二旗中路 33 號院

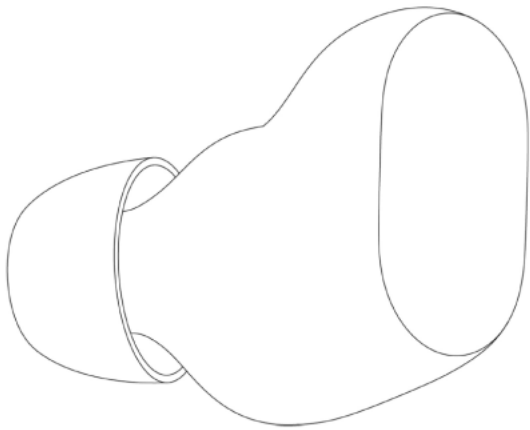
6 號樓 8 層 018 號

[74] 香港派特恩知識產權代理有限公司

香港上環

永樂街 121-125 號

永達商業大廈 10 樓 C 室



---

[11] 2118693.3M001

[15] 16-09-2021

[30] 19-03-2021 / US / 29/774,932

[51] Cl. 14-04

[54] 帶有動態圖形用戶界面的顯示屏或顯示屏的一部分

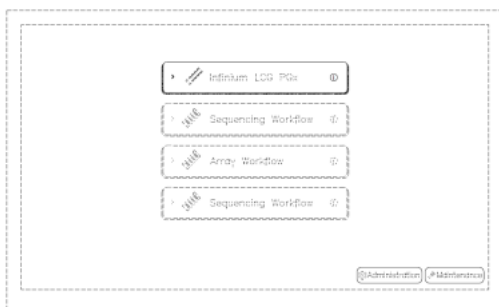
Display screen or portion thereof with animated graphical user interface

[73] ILLUMINA, INC.

5200 Illumina Way,  
San Diego, CA 92122,  
United States of America

[74] WILKINSON & GRIST

6th Floor, Prince's Building  
Chater Road  
Hong Kong



---

[11] 2118693.3M002

[15] 16-09-2021

[30] 19-03-2021 / US / 29/774,932

[51] Cl. 14-04

[54] 帶有動態圖形用戶界面的顯示屏或顯示屏的一部分

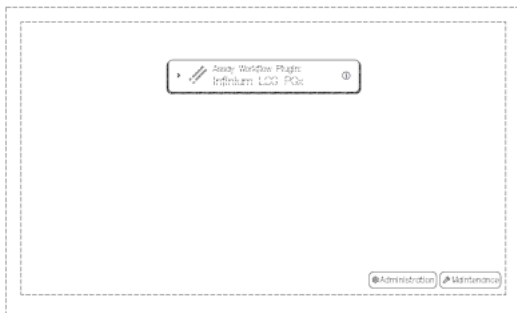
Display screen or portion thereof with animated graphical user interface

[73] ILLUMINA, INC.

5200 Illumina Way,  
San Diego, CA 92122,  
United States of America

[74] WILKINSON & GRIST

6th Floor, Prince's Building  
Chater Road  
Hong Kong



[11] 2118693.3M003

[15] 16-09-2021

[30] 19-03-2021 / US / 29/774,932

[51] Cl. 14-04

[54] 帶有動態圖形用戶界面的顯示屏或顯示屏的一部分

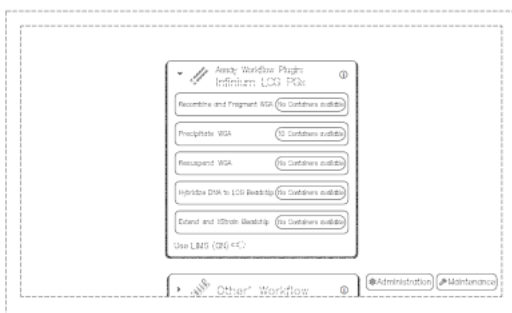
Display screen or portion thereof with animated graphical user interface

[73] ILLUMINA, INC.

5200 Illumina Way,  
San Diego, CA 92122,  
United States of America

[74] WILKINSON & GRIST

6th Floor, Prince's Building  
Chater Road  
Hong Kong



[11] 2118694.5M001

[15] 16-09-2021

[30] 17-03-2021 / CN / 202130142536.8

[51] Cl. 14-01

[54] 耳機

Earphone

[73] 北京小米移動軟件有限公司

BEIJING XIAOMI MOBILE SOFTWARE CO., LTD.

中國內地

北京市海澱區西二旗中路 33 號院

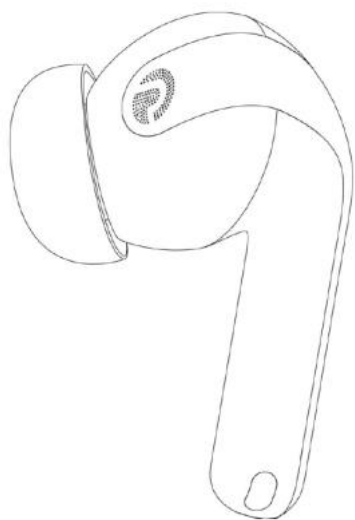
6 號樓 8 層 018 號

[74] 香港派特恩知識產權代理有限公司

香港上環

永樂街 121-125 號

永達商業大廈 10 樓 C 室



---

[11] 2118694.5M002

[15] 16-09-2021

[30] 17-03-2021 / CN / 202130142536.8

[51] Cl. 14-01

[54] 耳機

Earphone

[73] 北京小米移動軟件有限公司

BEIJING XIAOMI MOBILE SOFTWARE CO., LTD.

中國內地

北京市海澱區西二旗中路 33 號院

6 號樓 8 層 018 號

- [74] 香港派特恩知識產權代理有限公司  
香港上環  
永樂街 121-125 號  
永達商業大廈 10 樓 C 室



- 
- [11] 2118699.6  
[15] 16-09-2021  
[30] 17-03-2021 / CN / 202130144369.0  
[51] C1. 14-01  
[54] 耳機  
Earphone  
[73] 北京小米移動軟件有限公司  
BEIJING XIAOMI MOBILE SOFTWARE CO., LTD.  
中國內地  
北京市海澱區西二旗中路 33 號院  
6 號樓 8 層 018 號  
[74] 香港派特恩知識產權代理有限公司  
香港上環  
永樂街 121-125 號  
永達商業大廈 10 樓 C 室





---

[11] 2118719.0M001

[15] 21-09-2021

[30] 22-03-2021 / CN / 202130155134.1

[51] Cl. 24-01

[54] 糞便標本採集及糞便潛血檢測一體化裝置

Integrated device for stool sample collections and fecal  
occult blood test

[73] 杭州諾輝健康科技有限公司

Hangzhou New Horizon Health Technology Co. Ltd.

中國內地

浙江省杭州市濱江區

長河街道江二路 400 號 2 幢 13 層 1313 室

[74] 中港知識產權有限公司

香港灣仔

告士打道 151 號

資本中心 15 樓 1502 室



- [11] 2118719.0M002
- [15] 21-09-2021
- [30] 30-08-2021 / CN / 202130569192.9
- [51] Cl. 24-01
- [54] 糞便標本采集及糞便潛血檢測一體化裝置  
Integrated device for stool sample collections and fecal  
occult blood test
- [73] 杭州諾輝健康科技有限公司  
Hangzhou New Horizon Health Technology Co. Ltd.  
中國內地  
浙江省杭州市濱江區  
長河街道江二路 400 號 2 幢 13 層 1313 室
- [74] 中港知識產權有限公司  
香港灣仔  
告士打道 151 號  
資本中心 15 樓 1502 室

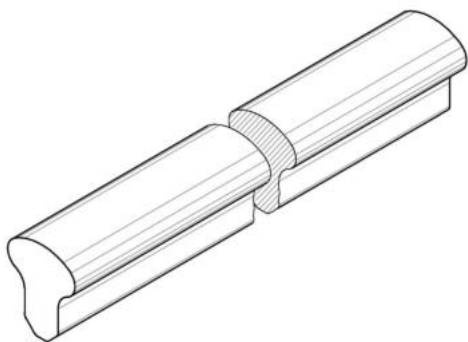


- [11] 2118727.7
- [15] 22-09-2021
- [30] 09-04-2021 / US / 29/778,036
- [51] Cl. 14-03  
Cl. 14-02  
Cl. 14-01
- [54] 電子裝置  
Electronic device
- [73] 蘋果公司  
APPLE INC.  
One Apple Park Way, Cupertino,  
California 95014,  
United States of America

- [74] CLT PATENT & TRADEMARK (H.K.) LIMITED  
Unit 09, 34/F., Office Tower, Convention Plaza,  
1 Harbour Road,  
Wanchai, Hong Kong



- 
- [11] 2118731.5M001  
[15] 23-09-2021  
[30] 26-03-2021 / EU / 008477020  
[51] Cl. 25-01  
[54] 板樁部件  
Sheet pile component  
[73] Richard Heindl  
Tassilostr. 21,  
82166 Gräfelfing,  
Germany  
[74] CHINAHONGKONG IP LIMITED  
1502, 15/F, Capital Centre,  
151 Gloucester Road,  
Wanchai, Hong Kong



- 
- [11] 2118731.5M002  
[15] 23-09-2021  
[30] 26-03-2021 / EU / 008477020  
[51] Cl. 25-01

[54] 板樁部件

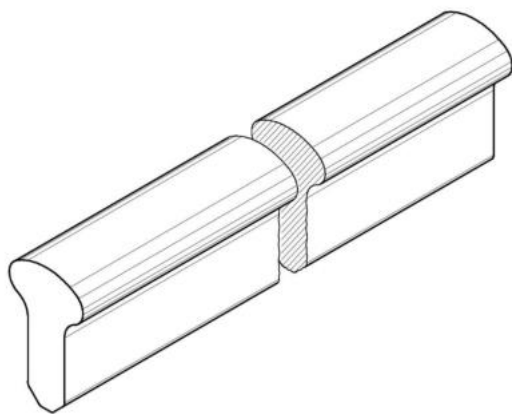
Sheet pile component

[73] Richard Heindl

Tassilostr. 21,  
82166 Gräfelfing,  
Germany

[74] CHINAHONGKONG IP LIMITED

1502, 15/F, Capital Centre,  
151 Gloucester Road,  
Wanchai, Hong Kong



---

[11] 2118731.5M003

[15] 23-09-2021

[30] 26-03-2021 / EU / 008477020

[51] Cl. 25-01

[54] 板樁部件

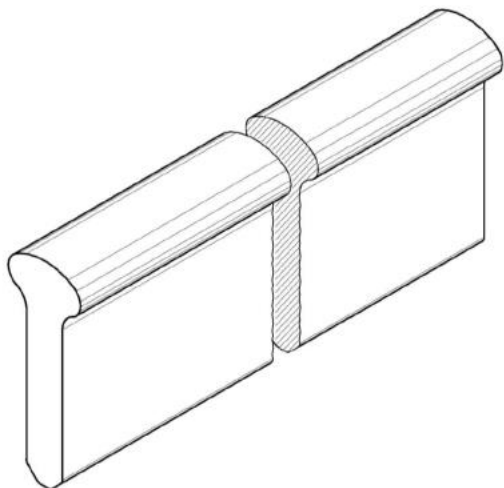
Sheet pile component

[73] Richard Heindl

Tassilostr. 21,  
82166 Gräfelfing,  
Germany

[74] CHINAHONGKONG IP LIMITED

1502, 15/F, Capital Centre,  
151 Gloucester Road,  
Wanchai, Hong Kong



---

[11] 2118731.5M004

[15] 23-09-2021

[30] 26-03-2021 / EU / 008477020

[51] C1. 25-01

[54] 板樁部件

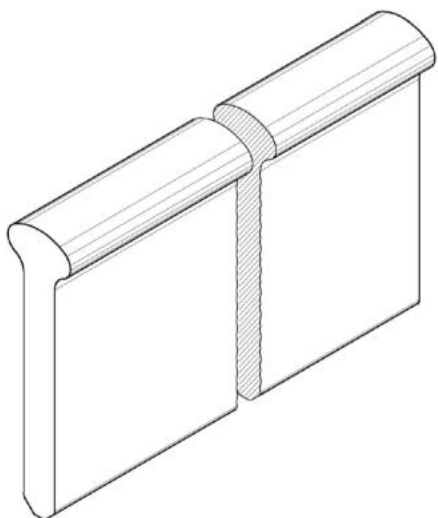
Sheet pile component

[73] Richard Heindl

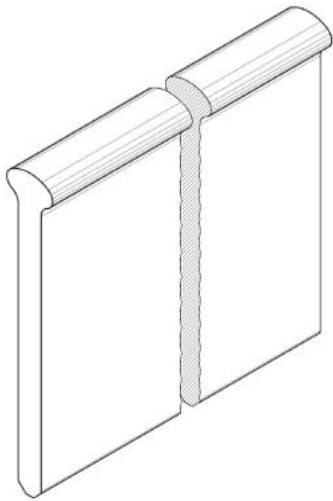
Tassilostr. 21,  
82166 Gräfelfing,  
Germany

[74] CHINAHONGKONG IP LIMITED

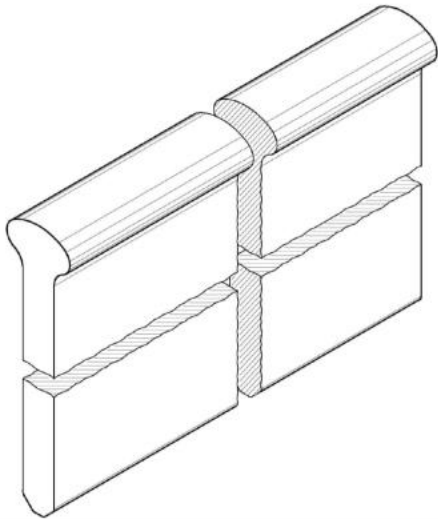
1502, 15/F, Capital Centre,  
151 Gloucester Road,  
Wanchai, Hong Kong



- [11] 2118731.5M005
- [15] 23-09-2021
- [30] 26-03-2021 / EU / 008477020
- [51] Cl. 25-01
- [54] 板樁部件  
Sheet pile component
- [73] Richard Heindl  
Tassilostr. 21,  
82166 Gräfelfing,  
Germany
- [74] CHINAHONGKONG IP LIMITED  
1502, 15/F, Capital Centre,  
151 Gloucester Road,  
Wanchai, Hong Kong



- 
- [11] 2118731.5M006
  - [15] 23-09-2021
  - [30] 26-03-2021 / EU / 008477020
  - [51] Cl. 25-01
  - [54] 板樁部件  
Sheet pile component
  - [73] Richard Heindl  
Tassilostr. 21,  
82166 Gräfelfing,  
Germany
  - [74] CHINAHONGKONG IP LIMITED  
1502, 15/F, Capital Centre,  
151 Gloucester Road,  
Wanchai, Hong Kong



---

[11] 2118766.9M001

[15] 29-09-2021

[30] 20-05-2021 / EU / 008546733-0001

[51] Cl. 12-08

[54] 汽車

Automobile

[73] Dr. Ing. h.c. F. Porsche Aktiengesellschaft

Porscheplatz 1,  
70435 Stuttgart,  
Germany

[74] WENPING PATENT & TRADE MARK AGENT LIMITED

1701 Tung Wai Commercial Building,  
111 Gloucester Road,  
Hong Kong



---

[11] 2118766.9M002

[15] 29-09-2021

[30] 20-05-2021 / EU / 008546733-0006

[51] Cl. 12-16

[54] 汽車擾流板

Spoiler for vehicles

[73] Dr. Ing. h.c. F. Porsche Aktiengesellschaft  
Porscheplatz 1,  
70435 Stuttgart,  
Germany

[74] WENPING PATENT & TRADE MARK AGENT LIMITED  
1701 Tung Wai Commercial Building,  
111 Gloucester Road,  
Hong Kong



---

[11] 2118766.9M003

[15] 29-09-2021

[30] 20-05-2021 / EU / 008546733-0007

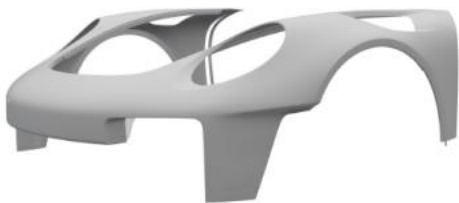
[51] Cl. 12-16

[54] 汽車車身零件

Body part for vehicles

[73] Dr. Ing. h.c. F. Porsche Aktiengesellschaft  
Porscheplatz 1,  
70435 Stuttgart,  
Germany

[74] WENPING PATENT & TRADE MARK AGENT LIMITED  
1701 Tung Wai Commercial Building,  
111 Gloucester Road,  
Hong Kong



---

[11] 2118766.9M004

[15] 29-09-2021

[30] 20-05-2021 / EU / 008546733-0008

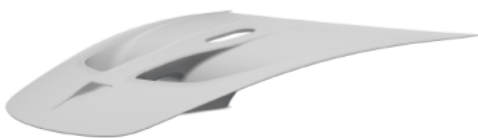
[51] Cl. 12-16



- [54] 排氣管  
Exhaust pipe
- [73] Dr. Ing. h.c. F. Porsche Aktiengesellschaft  
Porscheplatz 1,  
70435 Stuttgart,  
Germany
- [74] WENPING PATENT & TRADE MARK AGENT LIMITED  
1701 Tung Wai Commercial Building,  
111 Gloucester Road,  
Hong Kong



- 
- [11] 2118766.9M005
- [15] 29-09-2021
- [30] 20-05-2021 / EU / 008546733-0009
- [51] Cl. 12-16
- [54] 汽車引擎蓋  
Vehicle bonnet
- [73] Dr. Ing. h.c. F. Porsche Aktiengesellschaft  
Porscheplatz 1,  
70435 Stuttgart,  
Germany
- [74] WENPING PATENT & TRADE MARK AGENT LIMITED  
1701 Tung Wai Commercial Building,  
111 Gloucester Road,  
Hong Kong



- 
- [11] 2118766.9M006

- [15] 29-09-2021
- [30] 20-05-2021 / EU / 008546733-0010
- [51] Cl. 12-16
- [54] 汽車車身零件  
Body part for vehicles
- [73] Dr. Ing. h.c. F. Porsche Aktiengesellschaft  
Porscheplatz 1,  
70435 Stuttgart,  
Germany
- [74] WENPING PATENT & TRADE MARK AGENT LIMITED  
1701 Tung Wai Commercial Building,  
111 Gloucester Road,  
Hong Kong



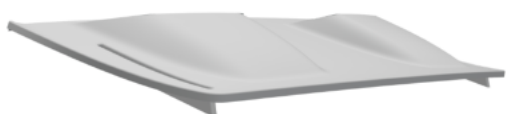
- 
- [11] 2118766.9M007
- [15] 29-09-2021
- [30] 20-05-2021 / EU / 008546733-0011
- [51] Cl. 12-16
- [54] 汽車車身零件  
Body part for vehicles
- [73] Dr. Ing. h.c. F. Porsche Aktiengesellschaft  
Porscheplatz 1,  
70435 Stuttgart,  
Germany
- [74] WENPING PATENT & TRADE MARK AGENT LIMITED  
1701 Tung Wai Commercial Building,  
111 Gloucester Road,  
Hong Kong



- [11] 2118766.9M008  
[15] 29-09-2021  
[30] 20-05-2021 / EU / 008546733-0012  
[51] Cl. 12-16  
[54] 汽車車身零件  
Body part for vehicles  
[73] Dr. Ing. h.c. F. Porsche Aktiengesellschaft  
Porscheplatz 1,  
70435 Stuttgart,  
Germany  
[74] WENPING PATENT & TRADE MARK AGENT LIMITED  
1701 Tung Wai Commercial Building,  
111 Gloucester Road,  
Hong Kong



- [11] 2118766.9M009  
[15] 29-09-2021  
[30] 20-05-2021 / EU / 008546733-0013  
[51] Cl. 12-16  
[54] 汽車車身零件  
Body part for vehicles  
[73] Dr. Ing. h.c. F. Porsche Aktiengesellschaft  
Porscheplatz 1,  
70435 Stuttgart,  
Germany  
[74] WENPING PATENT & TRADE MARK AGENT LIMITED  
1701 Tung Wai Commercial Building,  
111 Gloucester Road,  
Hong Kong



[11] 2118766.9M010

[15] 29-09-2021

[30] 20-05-2021 / EU / 008546733-0014

[51] Cl. 12-16

[54] 汽車車身零件

Body part for vehicles

[73] Dr. Ing. h.c. F. Porsche Aktiengesellschaft

Porscheplatz 1,

70435 Stuttgart,

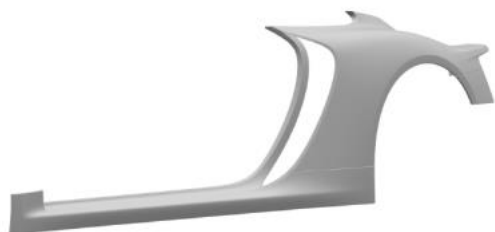
Germany

[74] WENPING PATENT & TRADE MARK AGENT LIMITED

1701 Tung Wai Commercial Building,

111 Gloucester Road,

Hong Kong



---

[11] 2118766.9M011

[15] 29-09-2021

[30] 20-05-2021 / EU / 008546733-0015

[51] Cl. 12-16

[54] 一部分的汽車擾流板

Part or spoiler for vehicles

[73] Dr. Ing. h.c. F. Porsche Aktiengesellschaft

Porscheplatz 1,

70435 Stuttgart,

Germany

[74] WENPING PATENT & TRADE MARK AGENT LIMITED

1701 Tung Wai Commercial Building,

111 Gloucester Road,

Hong Kong



---

[11] 2118766.9M012

[15] 29-09-2021

[30] 20-05-2021 / EU / 008546733-0016

[51] Cl. 12-16

[54] 汽車擾流板

Spoiler for vehicles

[73] Dr. Ing. h.c. F. Porsche Aktiengesellschaft

Porscheplatz 1,  
70435 Stuttgart,  
Germany

[74] WENPING PATENT & TRADE MARK AGENT LIMITED

1701 Tung Wai Commercial Building,  
111 Gloucester Road,  
Hong Kong



---

[11] 2118767.1

[15] 29-09-2021

[30] 19-05-2021 / EU / 008547400-0001

[51] Cl. 21-01

[54] 模型車

Model car

[73] Dr. Ing. h.c. F. Porsche Aktiengesellschaft

Porscheplatz 1,

70435 Stuttgart,  
Germany

[74] WENPING PATENT & TRADE MARK AGENT LIMITED  
1701 Tung Wai Commercial Building,  
111 Gloucester Road,  
Hong Kong



---

[11] 2118769.5M001

[15] 30-09-2021

[51] Cl. 11-01

[54] 飾品

Jewellery

[73] 周生生珠寶金行有限公司

Chow Sang Sang Jewellery Company Limited

4/F., Chow Sang Sang Building,

229 Nathan Road,

Kowloon, Hong Kong

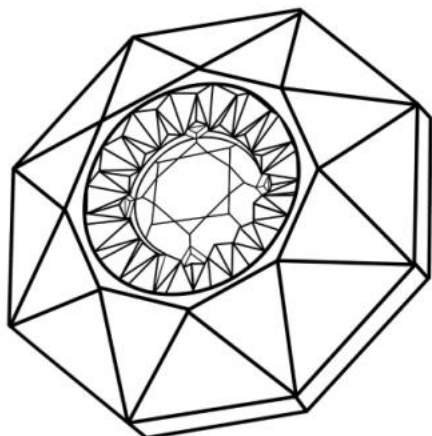
[74] HONG KONG INTELLECTUAL PROPERTY AGENT LIMITED

Unit 230, 2/F, Building 12W,

No. 12 Science Park West Avenue,

Phase 3, Hong Kong Science Park,

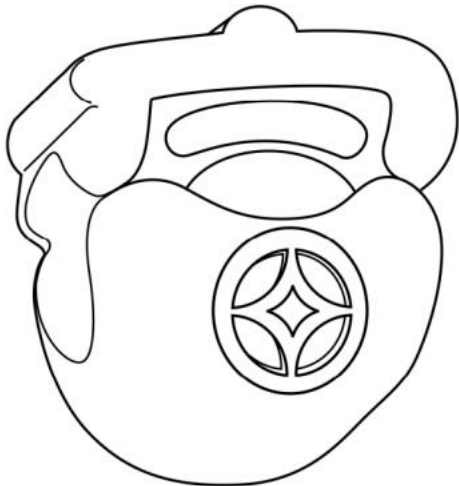
Pak Shek Kok, N.T., Hong Kong



- [11] 2118769.5M002  
[15] 30-09-2021  
[51] Cl. 11-01  
[54] 戒子  
Ring  
[73] 周生生珠寶金行有限公司  
Chow Sang Sang Jewellery Company Limited  
4/F., Chow Sang Sang Building,  
229 Nathan Road,  
Kowloon, Hong Kong  
[74] HONG KONG INTELLECTUAL PROPERTY AGENT LIMITED  
Unit 230, 2/F, Building 12W,  
No. 12 Science Park West Avenue,  
Phase 3, Hong Kong Science Park,  
Pak Shek Kok, N.T., Hong Kong



- 
- [11] 2118769.5M003  
[15] 30-09-2021  
[51] Cl. 11-01  
[54] 串飾  
Charm  
[73] 周生生珠寶金行有限公司  
Chow Sang Sang Jewellery Company Limited  
4/F., Chow Sang Sang Building,  
229 Nathan Road,  
Kowloon, Hong Kong  
[74] HONG KONG INTELLECTUAL PROPERTY AGENT LIMITED  
Unit 230, 2/F, Building 12W,  
No. 12 Science Park West Avenue,  
Phase 3, Hong Kong Science Park,  
Pak Shek Kok, N.T., Hong Kong



---

[11] 2118769.5M004

[15] 30-09-2021

[51] Cl. 11-01

[54] 串飾  
Charm

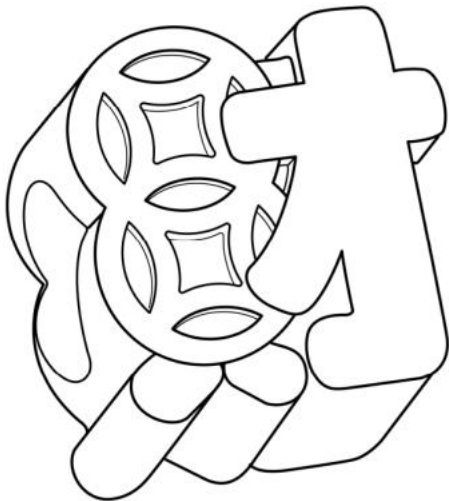
[73] 周生生珠寶金行有限公司  
Chow Sang Sang Jewellery Company Limited  
4/F., Chow Sang Sang Building,  
229 Nathan Road,  
Kowloon, Hong Kong

[74] HONG KONG INTELLECTUAL PROPERTY AGENT LIMITED  
Unit 230, 2/F, Building 12W,  
No. 12 Science Park West Avenue,  
Phase 3, Hong Kong Science Park,  
Pak Shek Kok, N.T., Hong Kong





- [11] 2118769.5M005
- [15] 30-09-2021
- [51] Cl. 11-01
- [54] 串飾  
Charm
- [73] 周生生珠寶金行有限公司  
Chow Sang Sang Jewellery Company Limited  
4/F., Chow Sang Sang Building,  
229 Nathan Road,  
Kowloon, Hong Kong
- [74] HONG KONG INTELLECTUAL PROPERTY AGENT LIMITED  
Unit 230, 2/F, Building 12W,  
No. 12 Science Park West Avenue,  
Phase 3, Hong Kong Science Park,  
Pak Shek Kok, N.T., Hong Kong



- 
- [11] 2118769.5M006
- [15] 30-09-2021
- [51] Cl. 11-01
- [54] 串飾  
Charm
- [73] 周生生珠寶金行有限公司  
Chow Sang Sang Jewellery Company Limited  
4/F., Chow Sang Sang Building,  
229 Nathan Road,  
Kowloon, Hong Kong
- [74] HONG KONG INTELLECTUAL PROPERTY AGENT LIMITED  
Unit 230, 2/F, Building 12W,  
No. 12 Science Park West Avenue,  
Phase 3, Hong Kong Science Park,  
Pak Shek Kok, N.T., Hong Kong



---

[11] 2118770.7

[15] 30-09-2021

[30] 01-04-2021 / EU / 008484919-0001

[51] Cl. 23-04

[54] 空氣淨化器

Air purifier

[73] IAQ LABORATORY LIMITED

Flat/Rm 2002, 20/F, Kai Tak Commercial Building,

317-319, Des Voeux Road Central,

Central District, Hong Kong

[74] CHINA PATENT AGENT (HONG KONG) LIMITED

22/F, Great Eagle Centre,

23 Harbour Road,

Wanchai, Hong Kong



---

[11] 2118771.9M001

[15] 30-09-2021

[30] 30-04-2021 / CA, AM, AZ, BZ, BA, GE, LI, MK, MD, MC, MN, ME,  
MA, NO, OM, SG, CH, TN, TR, UA, GB, EU, AL, KG / DM/214 065

[51] Cl. 11-01

[54] 指環

Ring

- [73] Harry Winston SA  
Chemin du Tourbillon 8,  
CH-1228 Plan-les-Ouates,  
Switzerland
- [74] SPRUSON & FERGUSON (HONG KONG) LIMITED  
5001 Hopewell Centre,  
183 Queen's Road East,  
Wan Chai, Hong Kong



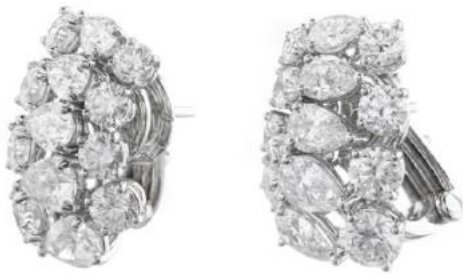
- 
- [11] 2118771.9M002
- [15] 30-09-2021
- [30] 30-04-2021 / CA, AM, AZ, BZ, BA, GE, LI, MK, MD, MC, MN, ME,  
MA, NO, OM, SG, CH, TN, TR, UA, GB, EU, AL, KG / DM/214 065
- [51] Cl. 11-01
- [54] 手鏈  
Bracelet
- [73] Harry Winston SA  
Chemin du Tourbillon 8,  
CH-1228 Plan-les-Ouates,  
Switzerland
- [74] SPRUSON & FERGUSON (HONG KONG) LIMITED  
5001 Hopewell Centre,  
183 Queen's Road East,  
Wan Chai, Hong Kong



- [11] 2118771.9M003
- [15] 30-09-2021
- [30] 30-04-2021 / CA, AM, AZ, BZ, BA, GE, LI, MK, MD, MC, MN, ME, MA, NO, OM, SG, CH, TN, TR, UA, GB, EU, AL, KG / DM/214 065
- [51] Cl. 11-01
- [54] 手鏈  
Bracelet
- [73] Harry Winston SA  
Chemin du Tourbillon 8,  
CH-1228 Plan-les-Ouates,  
Switzerland
- [74] SPRUSON & FERGUSON (HONG KONG) LIMITED  
5001 Hopewell Centre,  
183 Queen's Road East,  
Wan Chai, Hong Kong



- 
- [11] 2118771.9M004
- [15] 30-09-2021
- [30] 30-04-2021 / CA, AM, AZ, BZ, BA, GE, LI, MK, MD, MC, MN, ME, MA, NO, OM, SG, CH, TN, TR, UA, GB, EU, AL, KG / DM/214 065
- [51] Cl. 11-01
- [54] 耳環  
Earrings
- [73] Harry Winston SA  
Chemin du Tourbillon 8,  
CH-1228 Plan-les-Ouates,  
Switzerland
- [74] SPRUSON & FERGUSON (HONG KONG) LIMITED  
5001 Hopewell Centre,  
183 Queen's Road East,  
Wan Chai, Hong Kong



---

[11] 2118772.1

[15] 30-09-2021

[30] 01-04-2021 / CH, GB, US, EU, JP, KR / WIPO103504

[51] Cl. 3-01

[54] 公文包

Briefcase

[73] CARTIER INTERNATIONAL AG

22 Hinterbergstrasse,

CH-6312 Steinhausen,

Switzerland

[74] CHINA PATENT AGENT (HONG KONG) LIMITED

22/F, Great Eagle Centre,

23 Harbour Road,

Wanchai, Hong Kong



---

[11] 2118773.3M001

[15] 04-10-2021

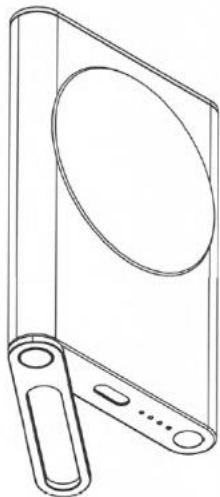
[51] Cl. 13-02

[54] 無線充電器

Wireless charger

[73] 李崇山  
Li Sung Shan  
香港東區  
柴灣樂翠台  
第一座 9 樓 D 室

[74] 李崇山  
香港九龍  
牛頭角大業街 15-17 號  
永富工業大廈 10 樓 A02 室



---

[11] 2118773.3M002

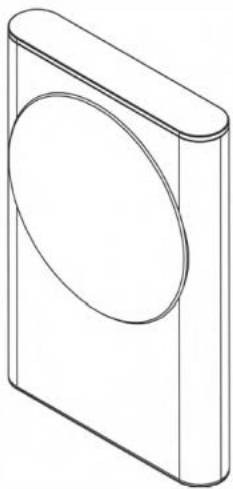
[15] 04-10-2021

[51] Cl. 13-02

[54] 無線充電器  
Wireless charger

[73] 李崇山  
Li Sung Shan  
香港東區  
柴灣樂翠台  
第一座 9 樓 D 室

[74] 李崇山  
香港九龍  
牛頭角大業街 15-17 號  
永富工業大廈 10 樓 A02 室



---

[11] 2118775.8

[15] 30-09-2021

[30] 01-04-2021 / CH, GB, US, EU, JP, KR / WIPO103514

[51] Cl. 3-01

[54] 公文包

Briefcase

[73] CARTIER INTERNATIONAL AG

22 Hinterbergstrasse,

CH-6312 Steinhausen,

Switzerland

[74] CHINA PATENT AGENT (HONG KONG) LIMITED

22/F, Great Eagle Centre,

23 Harbour Road,

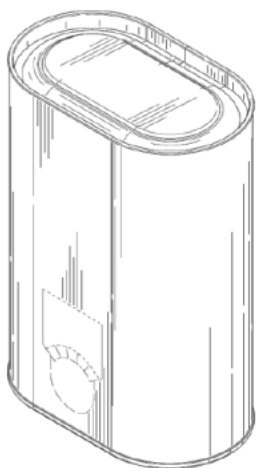
Wanchai, Hong Kong



---

[11] 2118776.0

- [15] 30-09-2021
- [30] 14-04-2021 / US / 29/778,730
- [51] Cl. 9-03
- [54] 飲料盒  
Beverage cartridge
- [73] E. & J. Gallo Winery  
600 Yosemite Blvd.,  
Modesto, CA 95354,  
United States of America
- [74] SPRUSON & FERGUSON (HONG KONG) LIMITED  
5001 Hopewell Centre,  
183 Queen's Road East,  
Wan Chai, Hong Kong



- 
- [11] 2118777.2M001
- [15] 30-09-2021
- [51] Cl. 2-02
- [54] 空中服務員制服  
Cabin crew uniform
- [73] 大灣區航空有限公司  
Greater Bay Airlines Company Limited  
12/F, One Citygate,  
20 Tat Tung Road,  
Tung Chung, Lantau, Hong Kong
- [74] ACCOLADE IP LIMITED  
10/F, Fu Fai Comm. Ctr.,  
27 Hillier Street,  
Sheung Wan, Hong Kong





---

[11] 2118777.2M002

[15] 30-09-2021

[51] Cl. 2-02

[54] 空中服務員制服

Cabin crew uniform

[73] 大灣區航空有限公司

Greater Bay Airlines Company Limited

12/F, One Citygate,

20 Tat Tung Road,

Tung Chung, Lantau, Hong Kong

[74] ACCOLADE IP LIMITED

10/F, Fu Fai Comm. Ctr.,

27 Hillier Street,

Sheung Wan, Hong Kong



- [11] 2118777.2M003  
[15] 30-09-2021  
[51] Cl. 2-02  
[54] 空中服務員制服  
Cabin crew uniform  
[73] 大灣區航空有限公司  
Greater Bay Airlines Company Limited  
12/F, One Citygate,  
20 Tat Tung Road,  
Tung Chung, Lantau, Hong Kong  
[74] ACCOLADE IP LIMITED  
10/F, Fu Fai Comm. Ctr.,  
27 Hillier Street,  
Sheung Wan, Hong Kong



- 
- [11] 2118777.2M004  
[15] 30-09-2021  
[51] Cl. 2-02  
[54] 空中服務員制服  
Cabin crew uniform  
[73] 大灣區航空有限公司  
Greater Bay Airlines Company Limited  
12/F, One Citygate,  
20 Tat Tung Road,  
Tung Chung, Lantau, Hong Kong  
[74] ACCOLADE IP LIMITED  
10/F, Fu Fai Comm. Ctr.,  
27 Hillier Street,  
Sheung Wan, Hong Kong



---

[11] 2118777.2M005

[15] 30-09-2021

[51] Cl. 2-05

[54] 圍巾  
Scarf

[73] 大灣區航空有限公司  
Greater Bay Airlines Company Limited  
12/F, One Citygate,  
20 Tat Tung Road,  
Tung Chung, Lantau, Hong Kong

[74] ACCOLADE IP LIMITED  
10/F, Fu Fai Comm. Ctr.,  
27 Hillier Street,  
Sheung Wan, Hong Kong



[11] 2118778.4

[15] 30-09-2021

[51] Cl. 11-01

[54] 首飾

Jewellery

[73] Blue and White Design Company Limited

2/F., Dah Sing Life Building,

99 Des Voeux Road Central,

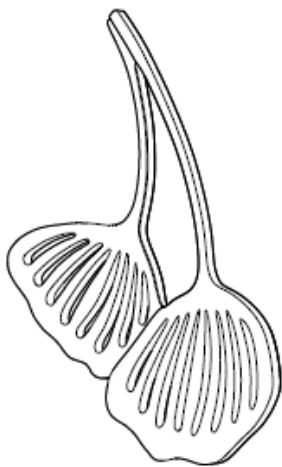
Central, Hong Kong

[74] ACCOLADE IP LIMITED

10/F, Fu Fai Comm. Ctr.,

27 Hillier Street,

Sheung Wan, Hong Kong





香港特別行政區政府知識產權署外觀設計註冊處

The Government of the Hong Kong Special Administrative Region

Designs Registry, Intellectual Property Department

根據註冊外觀設計條例第 28 條，下列註冊外觀設計因未繳續期費而停止有效。

各組記項按註冊外觀設計停止有效日期及註冊編號先後次序排列。

**Registered designs ceased through non-payment of renewal fees under section 28 of the Registered Designs Ordinance. Entries are listed below under their expiry dates.**

**05-11-2021 - 10-11-2021**

<b>05-11-2021</b>	1101970.0M009	1101984.9
0602902.1	1101970.0M010	1101986.4
	1101970.0M011	1101987.6
<b>06-11-2021</b>	1602135.6	1101988.8
1101953.4	1602136.8	1101989.0M001
1602112.7		1101989.0M002
1602113.9	<b>09-11-2021</b>	1602162.2M001
1602114.1M002	0602961.5M002	1602162.2M002
1602115.4	0602961.5M003	1602162.2M003
1602116.6	0602961.5M004	1602162.2M004
1602117.8	0602961.5M005	1602162.2M005
1602123.0	0602961.5M006	1602162.2M006
	0602961.5M007	1602162.2M007
<b>07-11-2021</b>	0602961.5M008	1602162.2M008
0602916.1	0602961.5M010	1602162.2M009
1101961.1	0602961.5M011	1602162.2M010
1101962.3	0602961.5M012	1602163.4
1101963.5	0602961.5M013	
1602131.7M001	1101976.3M006	
1602131.7M002	1101976.3M007	
1602131.7M003	1101977.5	
	1602144.4M002	
<b>08-11-2021</b>	1602146.9	
0111716.3	1602147.1M002	
0111717.5	1602147.1M003	
0602950.2M001	1602147.1M004	
1101970.0M001	1602148.3	
1101970.0M002	1602150.7	
1101970.0M003	1602159.6	
1101970.0M004	1602160.8	
1101970.0M005		
1101970.0M006	<b>10-11-2021</b>	
1101970.0M007	1101983.7M002	
1101970.0M008	1101983.7M003	



香港特別行政區政府知識產權署外觀設計註冊處

The Government of the Hong Kong Special Administrative Region

Designs Registry, Intellectual Property Department

根據註冊外觀設計規則第 31 條刪除的註冊外觀設計。各組記項按註冊外觀設計刪除日期及註冊編號先後次序排列。

**Registered designs removed under section 31 of the Registered Designs Rules. Entries are listed below under their removal dates.**

**12-11-2021 - 18-11-2021**

<b>12-11-2021</b>	1100772.9M001	1600895.5M004
1100759.2M001	1100772.9M002	1600895.5M005
1600848.6M002	1100775.6M001	1600898.1
1600848.6M003	1100775.6M003	
1600850.0	1100775.6M004	
1600851.2M001	1100777.0	
1600851.2M002	1100779.4	
1600851.2M003	1600867.6M001	
1600851.2M004	1600867.6M002	
1600851.2M005	1600873.8M006	
1600851.2M006	1600873.8M007	
1600851.2M007	1600873.8M008	
1600851.2M008	1600874.0	
1600851.2M009		
1600851.2M010	<b>17-11-2021</b>	
1600853.6	0601256.9	
1600855.1M001	0601257.1	
	1600887.8	
<b>13-11-2021</b>	1600888.0	
1100769.3	1600889.2	
1100771.7M001		
1100771.7M002	<b>18-11-2021</b>	
1600862.5M001	0601264.5	
1600862.5M002	1100783.2M001	
1600862.5M003	1100783.2M002	
1600862.5M004	1100785.7	
1600863.7	1600890.4	
1600865.2	1600891.6	
1600866.4	1600892.8	
	1600893.0	
<b>15-11-2021</b>	1600894.2	
0601229.2	1600895.5M001	
	1600895.5M002	
<b>16-11-2021</b>	1600895.5M003	



香港特別行政區政府知識產權署外觀設計註冊處  
The Government of the Hong Kong Special Administrative Region  
Designs Registry, Intellectual Property Department

## 勘誤

### CORRIGENDUM

已在官方公報刊登的外觀設計公告內的表述更正如下：

**The following show the corrected representations of the designs in advertisement previously published in the official journal:**

官方公報日期 Official journal date 05.11.2021

[11] 2118356.9M004

[54] 外觀設計的表述 Representation of the Design

