

香港知識產權公報

Hong Kong Intellectual Property
Journal

2019 年 4 月 4 日
04 April 2019

目錄

Contents

根據註冊外觀設計條例第 25 條註冊的外觀設計

Designs Registered under section 25 of the Registered Designs Ordinance

按註冊編號排列

Arranged by Registration Number

根據註冊外觀設計條例(第 522 章)公布的其他公告

Other Notices Published under the Registered Designs Ordinance (Cap. 522)

根據註冊外觀設計條例第28條，註冊外觀設計因未繳續期費而停止有效

Registered Designs Ceased through Non-payment of Renewal Fees under section 28 of the Registered Designs Ordinance

根據註冊外觀設計規則第31條刪除的註冊外觀設計

Registered Designs Removed under section 31 of the Registered Designs Rules

以下事項沒有記錄

No Records for the Following Matters

根據註冊外觀設計條例第30條放棄的外觀設計的註冊

Surrender of Registration of Design under section 30 of the Registered Designs Ordinance

根據註冊外觀設計規則第37條，向處長作出轉介

Reference to Registrar under section 37 of the Registered Designs Rules

根據註冊外觀設計條例第45條，撤銷註冊

Revocation of Registration under section 45 of the Registered Designs Ordinance

根據註冊外觀設計規則第46條，向法院作出轉介

Reference to Court under section 46 of the Registered Designs Rules

根據註冊外觀設計規則第63條對不符合規定之處作出糾正

Rectification of Irregularities under section 63 of the Registered Designs Rules

根據註冊外觀設計條例第66條，糾正註冊紀錄冊

Rectification of Register under section 66 of the Registered Designs Ordinance

根據註冊外觀設計條例第67條，更正註冊紀錄冊內的錯誤

Correction of Errors in Register under section 67 of the Registered Designs Ordinance

根據註冊外觀設計條例第67及76條，更正註冊紀錄冊內及已提交文件中的錯誤

Correction of Errors in Register and in Filed Documents under sections 67 and 76 of the Registered Designs Ordinance

根據註冊外觀設計條例第76條，更正已提交文件中的錯誤

Correction of Errors in Filed Documents under section 76 of the Registered Designs Ordinance

勘誤

Corrigendum

註冊外觀設計公告註釋

Notes on advertisements of registration of designs

方括號表示下列資料：

Square brackets indicate the following data：

[11] 註冊編號 Registration number / 聯合王國註冊編號 United Kingdom registration number

[15] 註冊日期 Registration date / 當作註冊日期 Deemed registration date / 聯合王國註冊日期 United Kingdom registration date

[17] 註冊有效期屆滿日期 Expiry date of the period of registration

[22] 提交日期 Filing date / 當作提交日期 Deemed filing date / 聯合王國提交日期 United Kingdom filing date

[30] 聲稱享有的優先權 (提交日期 / 巴黎公約國或世界貿易組織成員 / 申請編號) Priority claimed (filing date / Paris Convention country or WTO member / application number)

[51] 國際外觀設計分類號 (洛迦諾分類號) International Classification of designs (Locarno Classification)

[54] 物品 Article

[55] 外觀設計的表述 Representation of the design

[62] 分開前的申請編號及提交日期 Application number before division and filing date

[66] 過往註冊的聯繫外觀設計註冊編號 / 日期 Registration No. / Date of Previous Registration for Association

[72] 設計人 Designer

[73] 擁有人姓名和地址 Name and address of the owner

[74] 代理人 Agent / 送達地址 Address for service



香港特別行政區政府知識產權署外觀設計註冊處

The Government of the Hong Kong Special Administrative Region

Designs Registry, Intellectual Property Department

根據註冊外觀設計條例第 25 條註冊的外觀設計

Designs registered under section 25 of the Registered Designs Ordinance

按註冊編號排列

Arranged by Registration Number

[11] 1800936.5

[15] 14-05-2018

[30] 29-11-2017 / CN / 201730599338.8

[51] Cl. 26-03

[54] 移動光源定向反射同步裝置

Synchronized device for moving-light-source's orientation reflex

[73] 珠海翌洋航空技術有限公司

中國內地廣東省珠海市 九

洲大道東 1248 號

九洲假日公寓辦公 306 (辦公區 A)

[74] 普衡知識產權代理有限公司

香港

上環永樂街 72-74 號 永

利大廈 9 字樓 C 室



[11] 1800937.7

[15] 14-05-2018

[30] 29-11-2017 / CN / 201730599337 .3

[51] Cl. 26-03

[54] 移動光源定向反射同步裝置

Synchronized device for moving-light-source's orientation reflex

[73] 珠海翌洋航空技術有限公司
中國內地廣東省珠海市 九
洲大道東 1248 號
九洲假日公寓辦公 306 (辦公區 A)

[74] 普衡知識產權代理有限公司
香港
上環永樂街 72-74 號 永
利大廈 9 字樓 C 室



[11] 1801213.2M001

[15] 19-06-2018

[30] 20-12-2017 / AU / 201717829

[51] Cl. 25-01

[54] 用於滑槽系統的面板

Panel for a chute system

[73] John Clement Preston
196 Silverwater Road,
Silverwater NSW 2128,
AUSTRALIA

[74] Wilkinson & Grist
6th Floor, Prince's Building,
Chater Road,
Hong Kong.



[11] 1801213.2M002

[15] 19-06-2018

[30] 23-03-2018 / AU / 201811790

[51] Cl. 25-01

[54] 用於滑槽系統的面板

Panel for a chute system

[73] John Clement Preston
196 Silverwater Road,
Silverwater NSW 2128,
AUSTRALIA

[74] Wilkinson & Grist
6th Floor, Prince's Building,
Chater Road,
Hong Kong.



[11] 1801214.4M001

[15] 19-06-2018

[30] 20-12-2017 / AU / 201717832

[51] Cl. 25-01

[54] 用於滑槽組件的樑

Beam for a chute assembly

[73] John Clement Preston
196 Silverwater Road,
Silverwater NSW 2128,
AUSTRALIA

[74] Wilkinson & Grist
6th Floor, Prince's Building,
Chater Road,
Hong Kong.



[11] 1801214.4M002

[15] 19-06-2018

[30] 23-03-2018 / AU / 201811791

[51] Cl. 25-01

[54] 用於滑槽組件的樑

Beam for a chute assembly

[73] John Clement Preston
196 Silverwater Road,
Silverwater NSW 2128,
AUSTRALIA

[74] Wilkinson & Grist
6th Floor, Prince's Building,
Chater Road,
Hong Kong.



[11] 1801237.3M001

[15] 21-06-2018

[51] Cl. 6-03

Cl. 6-01

[54] 座椅連桌子

Chair with table

[73] 馮政淮

Fung Ching Wai
RM 2114, 21/F, Tat Yi HSE,
Po Tat EST, Kwun Tong,
Kowloon, Hong Kong

[74] Fung Ching Wai

RM 2114, 21/F, Tat Yi HSE,
Po Tat EST, Kwun Tong,
Kowloon, Hong Kong



[11] 1801237.3M002

[15] 21-06-2018

[51] Cl. 6-03

Cl. 6-01

[54] 座椅連桌子

Chair with table

[73] 馮政淮

Fung Ching Wai

RM 2114, 21/F, Tat Yi HSE, Po Tat EST, Kwun Tong, Kowloon,
Hong Kong

[74] Fung Ching Wai

RM 2114, 21/F, Tat Yi HSE, Po Tat EST, Kwun Tong, Kowloon,
Hong Kong



[11] 1801338.7M001

[15] 03-07-2018

[30] 03-01-2018 / US / 29/631,921

[51] Cl. 22-01

[54] 折疊槍

Folding gun

[73] MAGPUL INDUSTRIES CORP.

8226 Bee Caves Road Austin,
Texas 78746 USA,
UNITED STATES

[74] HK PAT IP LIMITED

Flat C, 10/F., Wing Tat Commercial Building
121-125 Wing Lok Street, Sheung Wan,
HONG KONG



[11] 1801338.7M002

[15] 03-07-2018

[30] 03-01-2018 / US / 29/631,921

[51] Cl. 22-01

[54] 折疊槍

Folding gun

[73] MAGPUL INDUSTRIES CORP.

8226 Bee Caves Road Austin,

Texas 78746 USA,

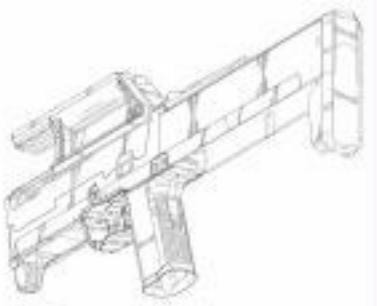
UNITED STATES

[74] HK PAT IP LIMITED

Flat C, 10/F.,Wing Tat Commercial Building

121-125 Wing Lok Street, Sheung Wan,

HONG KONG



[11] 1801338.7M003

[15] 03-07-2018

[30] 03-01-2018 / US / 29/631,921

[51] Cl. 22-01

[54] 折疊槍

Folding gun

[73] MAGPUL INDUSTRIES CORP.

8226 Bee Caves Road Austin,

Texas 78746 USA,

UNITED STATES

[74] HK PAT IP LIMITED

Flat C, 10/F.,Wing Tat Commercial Building

121-125 Wing Lok Street, Sheung Wan,
HONG KONG



[11] 1801338.7M004

[15] 03-07-2018

[30] 03-01-2018 / US / 29/631,921

[51] Cl. 22-01

[54] 折疊槍

Folding gun

[73] MAGPUL INDUSTRIES CORP.

8226 Bee Caves Road Austin,

Texas 78746 USA,

UNITED STATES

[74] HK PAT IP LIMITED

Flat C, 10/F., Wing Tat Commercial Building

121-125 Wing Lok Street, Sheung Wan,

HONG KONG



[11] 1801338.7M005

[15] 03-07-2018

[30] 03-01-2018 / US / 29/631,921

[51] Cl. 22-01

[54] 折疊槍

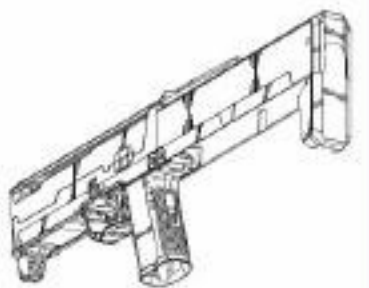
Folding gun

[73] MAGPUL INDUSTRIES CORP.

8226 Bee Caves Road Austin,

Texas 78746 USA,
UNITED STATES

[74] HK PAT IP LIMITED
Flat C, 10/F.,Wing Tat Commercial Building
121-125 Wing Lok Street, Sheung Wan,
HONG KONG



[11] 1801338.7M006

[15] 03-07-2018

[30] 03-01-2018 / US / 29/631,921

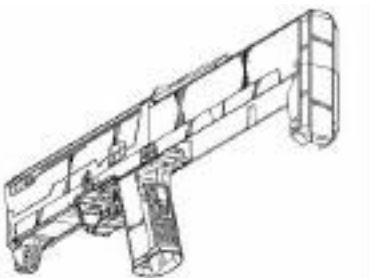
[51] Cl. 22-01

[54] 折疊槍

Folding gun

[73] MAGPUL INDUSTRIES CORP.
8226 Bee Caves Road Austin,
Texas 78746 USA,
UNITED STATES

[74] HK PAT IP LIMITED
Flat C, 10/F.,Wing Tat Commercial Building
121-125 Wing Lok Street, Sheung Wan,
HONG KONG



[11] 1801463.1M001

[15] 19-07-2018

[30] 08-02-2018 / SE / 2018/0023

[51] Cl. 12-16

[54] 用於汽車的裝飾面板

Trim panel for vehicle

[73] Scania CV AB

SE-151 87 Södertälje,
SWEDEN

[74] NTD Patent & Trade Mark Agency Ltd.

Units 1805-6, 18/F., Greenfield Tower,
Concordia Plaza, No.1 Science Museum Road,
Tsimshatsui East, Kowloon, Hong Kong.



[11] 1801463.1M002

[15] 19-07-2018

[30] 08-02-2018 / SE / 2018/0023

[51] Cl. 12-16

[54] 用於汽車的裝飾面板

Trim panel for vehicle

[73] Scania CV AB

SE-151 87 Södertälje,
SWEDEN

[74] NTD Patent & Trade Mark Agency Ltd.

Units 1805-6, 18/F., Greenfield Tower,
Concordia Plaza, No.1 Science Museum Road,
Tsimshatsui East, Kowloon, Hong Kong.



- [11] 1801463.1M003
[15] 19-07-2018
[30] 08-02-2018 / SE / 2018/0023
[51] Cl. 12-16
[54] 用於汽車的裝飾面板
Trim panel for vehicle
[73] Scania CV AB
SE-151 87 Södertälje,
SWEDEN
[74] NTD Patent & Trade Mark Agency Ltd.
Units 1805-6, 18/F., Greenfield Tower,
Concordia Plaza, No.1 Science Museum Road,
Tsimshatsui East, Kowloon, Hong Kong.



-
- [11] 1801470.6
[15] 19-07-2018
[30] 19-01-2018 / US / 29/634,317
[51] Cl. 2-02
[54] 牛仔褲
Jeans
[73] VF Imagewear, Inc.
545 Marriott Drive, Suite 200,
Nashville, TN 37219,
UNITED STATES
[74] Spruson & Ferguson (Hong Kong) Limited
5001 Hopewell Centre,
183 Queen's Road East,
Hong Kong.



[11] 1801484.5M001

[15] 20-07-2018

[30] 26-01-2018 / KR / 30-2018-0004610

[51] Cl. 6-11

[54] 嬰兒坐墊

Playmat for baby

[73] Ggumbi Co., Ltd.

A-dong(Jukdong), 81, Jukdong-ro,

Yuseong-gu, Daejeon, 34127,

KOREA, REPUBLIC OF

[74] Wilkinson & Grist

6th Floor, Prince's Building,

Chater Road,

Hong Kong.



[11] 1801484.5M002

[15] 20-07-2018

[30] 26-01-2018 / KR / 30-2018-0004598

[51] Cl. 6-11

[54] 嬰兒坐墊

Playmat for baby

[73] Ggumbi Co., Ltd.
A-dong(Jukdong), 81, Jukdong-ro,
Yuseong-gu, Daejeon, 34127,
KOREA, REPUBLIC OF

[74] Wilkinson & Grist
6th Floor, Prince's Building,
Chater Road,
Hong Kong.



[11] 1801497.3

[15] 24-07-2018

[30] 06-02-2018 / US / 29/636,156

[51] Cl. 2-02

[54] 褲子

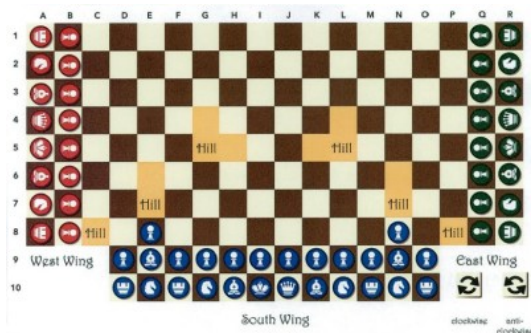
Pants

[73] VF Imagewear, Inc.
545 Marriott Drive, Suite 200,
Nashville, TN 37219,
UNITED STATES

[74] Spruson & Ferguson (Hong Kong) Limited
5001 Hopewell Centre,
183 Queen's Road East,
Hong Kong.



- [11] 1801510.3
- [15] 25-07-2018
- [51] Cl. 21-01
- [54] 國際象棋模式的棋盤連 60 棋子
Chess board in International chess style with 60 chesses
- [73] 劉志華
LAU CHI WAH
Room 705B, Tung Ning Building,
249-253 Des Voeux Road Central,
Hong Kong.
- [74] LAU CHI WAH
Room 705B, Tung Ning Building,
249-253 Des Voeux Road Central,
Hong Kong.



- [11] 1801519.2M001
- [15] 26-07-2018
- [30] 26-01-2018 / US / 29/635,088
- [51] Cl. 3-01
- [54] 盒子
Case
- [73] JUUL Labs, Inc.
560 20th Street, Building 104,
San Francisco, CA 94107,
UNITED STATES
- [74] HONG KONG INTELLECTUAL PROPERTY AGENT LIMITED
Unit 230, 2/F, Building 12W,
No.12 Science Park West Avenue,
Phase 3, Hong Kong Science Park, Pak Shek Kok, N.T., Hong
Kong.



[11] 1801519.2M002

[15] 26-07-2018

[30] 26-01-2018 / US / 29/635,088

[51] Cl. 3-01

[54] 盒子

Case

[73] JUUL Labs, Inc.

560 20th Street, Building 104,

San Francisco, CA 94107,

UNITED STATES

[74] HONG KONG INTELLECTUAL PROPERTY AGENT LIMITED

Unit 230, 2/F, Building 12W,

No.12 Science Park West Avenue,

Phase 3, Hong Kong Science Park, Pak Shek Kok, N.T., Hong

Kong.



[11] 1801519.2M003

[15] 26-07-2018

[30] 26-01-2018 / US / 29/635,088

[51] Cl. 3-01

[54] 盒子

Case

[73] JUUL Labs, Inc.

560 20th Street, Building 104,

San Francisco, CA 94107,

UNITED STATES

- [74] HONG KONG INTELLECTUAL PROPERTY AGENT LIMITED
Unit 230, 2/F, Building 12W,
No.12 Science Park West Avenue,
Phase 3, Hong Kong Science Park, Pak Shek Kok, N.T., Hong
Kong.



-
- [11] 1801519.2M004
[15] 26-07-2018
[30] 26-01-2018 / US / 29/635,088
[51] Cl. 3-01
[54] 盒子
Case
[73] JUUL Labs, Inc.
560 20th Street, Building 104,
San Francisco, CA 94107,
UNITED STATES

- [74] HONG KONG INTELLECTUAL PROPERTY AGENT LIMITED
Unit 230, 2/F, Building 12W,
No.12 Science Park West Avenue,
Phase 3, Hong Kong Science Park, Pak Shek Kok, N.T., Hong
Kong.



-
- [11] 1801519.2M005
[15] 26-07-2018
[30] 26-01-2018 / US / 29/635,088
[51] Cl. 3-01

[54] 盒子

Case

[73] JUUL Labs, Inc.

560 20th Street, Building 104,
San Francisco, CA 94107,
UNITED STATES

[74] HONG KONG INTELLECTUAL PROPERTY AGENT LIMITED

Unit 230, 2/F, Building 12W,
No.12 Science Park West Avenue,
Phase 3, Hong Kong Science Park, Pak Shek Kok, N.T., Hong
Kong.



[11] 1801519.2M006

[15] 26-07-2018

[30] 26-01-2018 / US / 29/635,088

[51] Cl. 3-01

[54] 盒子

Case

[73] JUUL Labs, Inc.

560 20th Street, Building 104,
San Francisco, CA 94107,
UNITED STATES

[74] HONG KONG INTELLECTUAL PROPERTY AGENT LIMITED

Unit 230, 2/F, Building 12W,
No.12 Science Park West Avenue,
Phase 3, Hong Kong Science Park, Pak Shek Kok, N.T., Hong
Kong.



[11] 1801519.2M007

[15] 26-07-2018

[30] 12-07-2018 / US / 29/656,500

[51] Cl. 3-01

[54] 盒子

Case

[73] JUUL Labs, Inc.

560 20th Street, Building 104,

San Francisco, CA 94107,

UNITED STATES

[74] HONG KONG INTELLECTUAL PROPERTY AGENT LIMITED

Unit 230, 2/F, Building 12W,

No.12 Science Park West Avenue,

Phase 3, Hong Kong Science Park, Pak Shek Kok, N.T., Hong

Kong.



[11] 1801519.2M008

[15] 26-07-2018

[30] 12-07-2018 / US / 29/656,500

[51] Cl. 3-01

[54] 盒子

Case

[73] JUUL Labs, Inc.

560 20th Street, Building 104,

San Francisco, CA 94107,

UNITED STATES

[74] HONG KONG INTELLECTUAL PROPERTY AGENT LIMITED

Unit 230, 2/F, Building 12W,

No.12 Science Park West Avenue,

Phase 3, Hong Kong Science Park, Pak Shek Kok, N.T., Hong

Kong.



[11] 1801519.2M009

[15] 26-07-2018

[30] 12-07-2018 / US / 29/656,500

[51] Cl. 3-01

[54] 盒子
Case

[73] JUUL Labs, Inc.
560 20th Street, Building 104,
San Francisco, CA 94107,
UNITED STATES

[74] HONG KONG INTELLECTUAL PROPERTY AGENT LIMITED
Unit 230, 2/F, Building 12W,
No.12 Science Park West Avenue,
Phase 3, Hong Kong Science Park, Pak Shek Kok, N.T., Hong
Kong.



[11] 1801519.2M010

[15] 26-07-2018

[30] 12-07-2018 / US / 29/656,500

[51] Cl. 3-01

[54] 盒子
Case

[73] JUUL Labs, Inc.
560 20th Street, Building 104,
San Francisco, CA 94107,
UNITED STATES

- [74] HONG KONG INTELLECTUAL PROPERTY AGENT LIMITED
Unit 230, 2/F, Building 12W,
No.12 Science Park West Avenue,
Phase 3, Hong Kong Science Park, Pak Shek Kok, N.T., Hong
Kong.



-
- [11] 1801519.2M011
[15] 26-07-2018
[30] 12-07-2018 / US / 29/656,500
[51] Cl. 3-01
[54] 盒子
Case
[73] JUUL Labs, Inc.
560 20th Street, Building 104,
San Francisco, CA 94107,
UNITED STATES
[74] HONG KONG INTELLECTUAL PROPERTY AGENT LIMITED
Unit 230, 2/F, Building 12W,
No.12 Science Park West Avenue,
Phase 3, Hong Kong Science Park, Pak Shek Kok, N.T., Hong
Kong.



-
- [11] 1801519.2M012
[15] 26-07-2018
[30] 12-07-2018 / US / 29/656,500
[51] Cl. 3-01

[54] 盒子

Case

[73] JUUL Labs, Inc.

560 20th Street, Building 104,
San Francisco, CA 94107,
UNITED STATES

[74] HONG KONG INTELLECTUAL PROPERTY AGENT LIMITED

Unit 230, 2/F, Building 12W,
No.12 Science Park West Avenue,
Phase 3, Hong Kong Science Park, Pak Shek Kok, N.T., Hong
Kong.



[11] 1801519.2M013

[15] 26-07-2018

[30] 12-07-2018 / US / 29/656,500

[51] Cl. 3-01

[54] 盒子

Case

[73] JUUL Labs, Inc.

560 20th Street, Building 104,
San Francisco, CA 94107,
UNITED STATES

[74] HONG KONG INTELLECTUAL PROPERTY AGENT LIMITED

Unit 230, 2/F, Building 12W,
No.12 Science Park West Avenue,
Phase 3, Hong Kong Science Park, Pak Shek Kok, N.T., Hong
Kong.



[11] 1801519.2M014

[15] 26-07-2018

[30] 12-07-2018 / US / 29/656,500

[51] Cl. 3-01

[54] 盒子

Case

[73] JUUL Labs, Inc.

560 20th Street, Building 104,

San Francisco, CA 94107,

UNITED STATES

[74] HONG KONG INTELLECTUAL PROPERTY AGENT LIMITED

Unit 230, 2/F, Building 12W,

No.12 Science Park West Avenue,

Phase 3, Hong Kong Science Park, Pak Shek Kok, N.T., Hong

Kong.



[11] 1801519.2M015

[15] 26-07-2018

[30] 12-07-2018 / US / 29/656,500

[51] Cl. 3-01

[54] 盒子

Case

[73] JUUL Labs, Inc.

560 20th Street, Building 104,

San Francisco, CA 94107,

UNITED STATES

[74] HONG KONG INTELLECTUAL PROPERTY AGENT LIMITED

Unit 230, 2/F, Building 12W,

No.12 Science Park West Avenue,

Phase 3, Hong Kong Science Park, Pak Shek Kok, N.T., Hong

Kong.



[11] 1801519.2M016

[15] 26-07-2018

[30] 12-07-2018 / US / 29/656,500

[51] Cl. 3-01

[54] 盒子

Case

[73] JUUL Labs, Inc.

560 20th Street, Building 104,

San Francisco, CA 94107,

UNITED STATES

[74] HONG KONG INTELLECTUAL PROPERTY AGENT LIMITED

Unit 230, 2/F, Building 12W,

No.12 Science Park West Avenue,

Phase 3, Hong Kong Science Park, Pak Shek Kok, N.T., Hong

Kong.



[11] 1801519.2M017

[15] 26-07-2018

[30] 12-07-2018 / US / 29/656,500

[51] Cl. 3-01

[54] 盒子

Case

[73] JUUL Labs, Inc.

560 20th Street, Building 104,

San Francisco, CA 94107,

UNITED STATES

- [74] HONG KONG INTELLECTUAL PROPERTY AGENT LIMITED
Unit 230, 2/F, Building 12W,
No.12 Science Park West Avenue,
Phase 3, Hong Kong Science Park, Pak Shek Kok, N.T., Hong
Kong.



-
- [11] 1801519.2M018
[15] 26-07-2018
[30] 12-07-2018 / US / 29/656,500
[51] Cl. 3-01
[54] 盒子
Case

- [73] JUUL Labs, Inc.
560 20th Street, Building 104,
San Francisco, CA 94107,
UNITED STATES
- [74] HONG KONG INTELLECTUAL PROPERTY AGENT LIMITED
Unit 230, 2/F, Building 12W,
No.12 Science Park West Avenue,
Phase 3, Hong Kong Science Park, Pak Shek Kok, N.T., Hong
Kong.



-
- [11] 1801519.2M019
[15] 26-07-2018
[30] 12-07-2018 / US / 29/656,500
[51] Cl. 3-01

[54] 盒子

Case

[73] JUUL Labs, Inc.

560 20th Street, Building 104,
San Francisco, CA 94107,
UNITED STATES

[74] HONG KONG INTELLECTUAL PROPERTY AGENT LIMITED

Unit 230, 2/F, Building 12W,
No.12 Science Park West Avenue,
Phase 3, Hong Kong Science Park, Pak Shek Kok, N.T., Hong
Kong.



[11] 1801519.2M020

[15] 26-07-2018

[30] 12-07-2018 / US / 29/656,500

[51] Cl. 3-01

[54] 盒子

Case

[73] JUUL Labs, Inc.

560 20th Street, Building 104,
San Francisco, CA 94107,
UNITED STATES

[74] HONG KONG INTELLECTUAL PROPERTY AGENT LIMITED

Unit 230, 2/F, Building 12W,
No.12 Science Park West Avenue,
Phase 3, Hong Kong Science Park, Pak Shek Kok, N.T., Hong
Kong.



- [11] 1801519.2M021
- [15] 26-07-2018
- [30] 12-07-2018 / US / 29/656,500
- [51] Cl. 3-01
- [54] 盒子
Case
- [73] JUUL Labs, Inc.
560 20th Street, Building 104,
San Francisco, CA 94107,
UNITED STATES
- [74] HONG KONG INTELLECTUAL PROPERTY AGENT LIMITED
Unit 230, 2/F, Building 12W,
No.12 Science Park West Avenue,
Phase 3, Hong Kong Science Park, Pak Shek Kok, N.T., Hong
Kong.



-
- [11] 1801519.2M022
- [15] 26-07-2018
- [30] 12-07-2018 / US / 29/656,500
- [51] Cl. 3-01
- [54] 盒子
Case
- [73] JUUL Labs, Inc.
560 20th Street, Building 104,
San Francisco, CA 94107,
UNITED STATES
- [74] HONG KONG INTELLECTUAL PROPERTY AGENT LIMITED
Unit 230, 2/F, Building 12W,
No.12 Science Park West Avenue,
Phase 3, Hong Kong Science Park, Pak Shek Kok, N.T., Hong
Kong.



[11] 1801519.2M023

[15] 26-07-2018

[30] 12-07-2018 / US / 29/656,500

[51] Cl. 3-01

[54] 盒子

Case

[73] JUUL Labs, Inc.

560 20th Street, Building 104,

San Francisco, CA 94107,

UNITED STATES

[74] HONG KONG INTELLECTUAL PROPERTY AGENT LIMITED

Unit 230, 2/F, Building 12W,

No.12 Science Park West Avenue,

Phase 3, Hong Kong Science Park, Pak Shek Kok, N.T., Hong

Kong.



[11] 1801519.2M024

[15] 26-07-2018

[30] 12-07-2018 / US / 29/656,500

[51] Cl. 3-01

[54] 盒子

Case

[73] JUUL Labs, Inc.

560 20th Street, Building 104,

San Francisco, CA 94107,

UNITED STATES

[74] HONG KONG INTELLECTUAL PROPERTY AGENT LIMITED
Unit 230, 2/F, Building 12W,
No.12 Science Park West Avenue,
Phase 3, Hong Kong Science Park, Pak Shek Kok, N.T., Hong
Kong.



[11] 1801519.2M025

[15] 26-07-2018

[30] 12-07-2018 / US / 29/656,500

[51] Cl. 3-01

[54] 盒子

Case

[73] JUUL Labs, Inc.

560 20th Street, Building 104,

San Francisco, CA 94107,

UNITED STATES

[74] HONG KONG INTELLECTUAL PROPERTY AGENT LIMITED
Unit 230, 2/F, Building 12W,
No.12 Science Park West Avenue,
Phase 3, Hong Kong Science Park, Pak Shek Kok, N.T., Hong
Kong.



[11] 1801519.2M026

[15] 26-07-2018

[30] 12-07-2018 / US / 29/656,500

[51] Cl. 3-01

[54] 盒子

Case

[73] JUUL Labs, Inc.

560 20th Street, Building 104,

San Francisco, CA 94107,
UNITED STATES

- [74] HONG KONG INTELLECTUAL PROPERTY AGENT LIMITED
Unit 230, 2/F, Building 12W,
No.12 Science Park West Avenue,
Phase 3, Hong Kong Science Park, Pak Shek Kok, N.T., Hong
Kong.



-
- [11] 1801519.2M027
[15] 26-07-2018
[30] 12-07-2018 / US / 29/656,500
[51] Cl. 3-01
[54] 盒子
Case

- [73] JUUL Labs, Inc.
560 20th Street, Building 104,
San Francisco, CA 94107,
UNITED STATES

- [74] HONG KONG INTELLECTUAL PROPERTY AGENT LIMITED
Unit 230, 2/F, Building 12W,
No.12 Science Park West Avenue,
Phase 3, Hong Kong Science Park, Pak Shek Kok, N.T., Hong
Kong.



-
- [11] 1801643.4

[15] 09-08-2018

[30] 13-02-2018 / JP / 002812 of 2018

[51] Cl. 6-06

[54] 座椅扶手

Wrist support for chair

[73] 株式會社岡村製作所

OKAMURA CORPORATION

2-7-18 KITASAIWAI, NISHI-KU,

YOKOHAMA, KANAGAWA 220-0004, JP,

JAPAN

[74] CLT Patent & Trademark (H.K.) Ltd.

Unit 09, 34/F., Office Tower, Convention Plaza,

No. 1 Harbour Road, Wanchai,

Hong Kong.



[11] 1801658.6M001

[15] 14-08-2018

[30] 15-02-2018 / EM / 004709616

[51] Cl. 12-08

[54] 車

Car

[73] FERRARI S.p.A.

VIA EMILIA EST 1163 I-41100 MODENA ITALY,

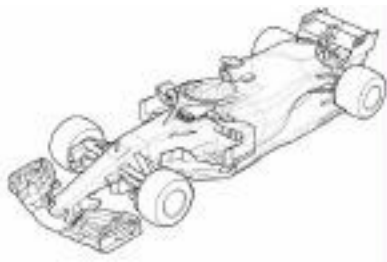
ITALY

[74] China Patent Agent (H.K.) Ltd.

22/F, Great Eagle Centre,

23 Harbour Road, Wanchai,

Hong Kong.



[11] 1801658.6M002

[15] 14-08-2018

[30] 15-02-2018 / EM / 004709616

[51] Cl. 12-16

[54] 方向盤

Steering wheel

[73] FERRARI S.p.A.

VIA EMILIA EST 1163 I-41100 MODENA ITALY,
ITALY

[74] China Patent Agent (H.K.) Ltd.

22/F, Great Eagle Centre,
23 Harbour Road, Wanchai,
Hong Kong.



[11] 1801668.7

[15] 15-08-2018

[30] 01-03-2018 / CN / 201830077883.5

[51] Cl. 15-02

[54] 水泵

Water pump

[73] 君禾泵業香港有限公司

JUNHE PUMPS HOLDING CO., LIMITED
ROOM 2103, TUNG CHIU COMMERCIAL CENTRE,
193 LOCKHART ROAD, WAN CHAI,
HONG KONG

- [74] HONG KONG INTELLECTUAL PROPERTY AGENT LIMITED
Unit 230, 2/F, Building 12W,
No.12 Science Park West Avenue,
Phase 3, Hong Kong Science Park, Pak Shek Kok, N.T., Hong
Kong.



[11] 1801672.5

[15] 15-08-2018

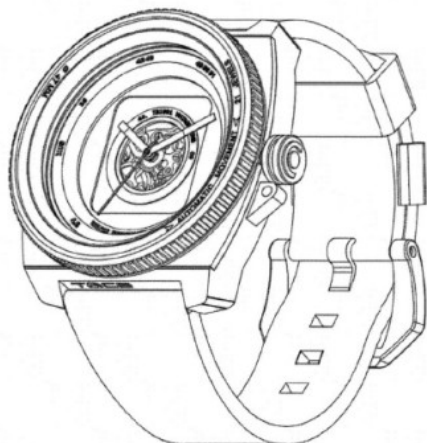
[51] Cl. 10-02

[54] 錶

Watch

- [73] CREATIVE CHOICE LIMITED
Unit 5-6, 6/F., Good Luck Industrial Centre,
No. 808 Lai Chi Kok Road,
Kowloon, Hong Kong

- [74] Huen & Partners, Solicitors
12/F.,
9 Des Voeux Road West,
Hong Kong



- [11] 1801674.9
[15] 15-08-2018
[30] 16-02-2018 / AU / 201810917
[51] Cl. 3-01
[54] 背包
Backpack
[73] SEA TO SUMMIT PTY LTD
5 Eyre Street, Rivervale,
Western Australia 6103,
AUSTRALIA
[74] Barron & Young Intellectual Property Limited
Suite 617, Lakeside 2,
No. 10 Science Park West Avenue,
Hong Kong Science Park, N.T., Hong Kong.



-
- [11] 1801712.1M001
[15] 22-08-2018
[30] 23-02-2018 / JP / 003785 of 2018
[51] Cl. 14-99
[54] 頭戴式顯示器的配件
Accessory for head-mounted display
[73] KABUSHIKI KAISHA SONY INTERACTIVE ENTERTAINMENT (SONY
INTERACTIVE ENTERTAINMENT INC.)
1-7-1 KONAN, MINATO-KU,
TOKYO 108-0075,
JAPAN
[74] China Patent Agent (H.K.) Ltd.
22/F, Great Eagle Centre,
23 Harbour Road, Wanchai,
Hong Kong.



[11] 1801712.1M002

[15] 22-08-2018

[30] 23-02-2018 / JP / 003786 of 2018

[51] Cl. 14-99

[54] 頭戴式顯示器的配件

Accessory for head-mounted display

[73] KABUSHIKI KAISHA SONY INTERACTIVE ENTERTAINMENT (SONY
INTERACTIVE ENTERTAINMENT INC.)

1-7-1 KONAN, MINATO-KU,
TOKYO 108-0075,
JAPAN

[74] China Patent Agent (H.K.) Ltd.

22/F, Great Eagle Centre,
23 Harbour Road, Wanchai,
Hong Kong.



[11] 1801712.1M003

[15] 22-08-2018

[30] 23-02-2018 / JP / 003787 of 2018

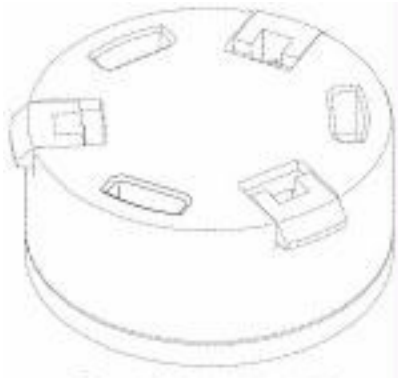
[51] Cl. 14-99

[54] 頭戴式顯示器的配件

Accessory for head-mounted display

[73] KABUSHIKI KAISHA SONY INTERACTIVE ENTERTAINMENT (SONY INTERACTIVE ENTERTAINMENT INC.)
1-7-1 KONAN, MINATO-KU,
TOKYO 108-0075,
JAPAN

[74] China Patent Agent (H.K.) Ltd.
22/F, Great Eagle Centre,
23 Harbour Road, Wanchai,
Hong Kong.



[11] 1801712.1M004

[15] 22-08-2018

[30] 23-02-2018 / JP / 003788 of 2018

[51] Cl. 14-99

[54] 頭戴式顯示器的配件
Accessory for head-mounted display

[73] KABUSHIKI KAISHA SONY INTERACTIVE ENTERTAINMENT (SONY INTERACTIVE ENTERTAINMENT INC.)
1-7-1 KONAN, MINATO-KU,
TOKYO 108-0075,
JAPAN

[74] China Patent Agent (H.K.) Ltd.
22/F, Great Eagle Centre,
23 Harbour Road, Wanchai,
Hong Kong.



[11] 1801712.1M005

[15] 22-08-2018

[30] 23-02-2018 / JP / 003789 of 2018

[51] Cl. 14-99

[54] 頭戴式顯示器的配件

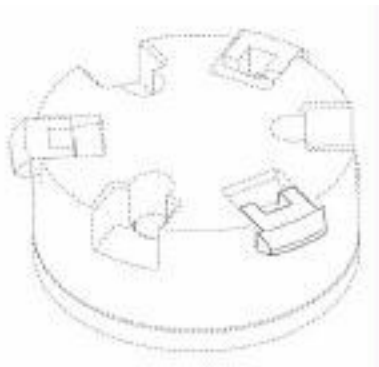
Accessory for head-mounted display

[73] KABUSHIKI KAISHA SONY INTERACTIVE ENTERTAINMENT (SONY INTERACTIVE ENTERTAINMENT INC.)

1-7-1 KONAN, MINATO-KU,
TOKYO 108-0075,
JAPAN

[74] China Patent Agent (H.K.) Ltd.

22/F, Great Eagle Centre,
23 Harbour Road, Wanchai,
Hong Kong.



[11] 1801712.1M006

[15] 22-08-2018

[30] 23-02-2018 / JP / 003790 of 2018

[51] Cl. 14-99

[54] 頭戴式顯示器的配件

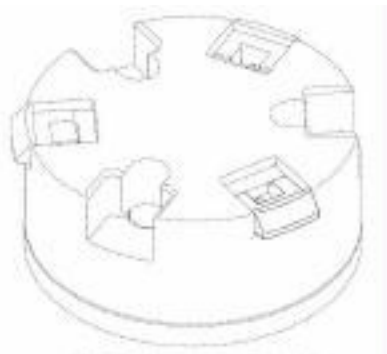
Accessory for head-mounted display

[73] KABUSHIKI KAISHA SONY INTERACTIVE ENTERTAINMENT (SONY INTERACTIVE ENTERTAINMENT INC.)

1-7-1 KONAN, MINATO-KU,
TOKYO 108-0075,
JAPAN

[74] China Patent Agent (H.K.) Ltd.

22/F, Great Eagle Centre,
23 Harbour Road, Wanchai,
Hong Kong.



[11] 1801712.1M007

[15] 22-08-2018

[30] 23-02-2018 / JP / 003791 of 2018

[51] Cl. 14-99

[54] 頭戴式顯示器的配件

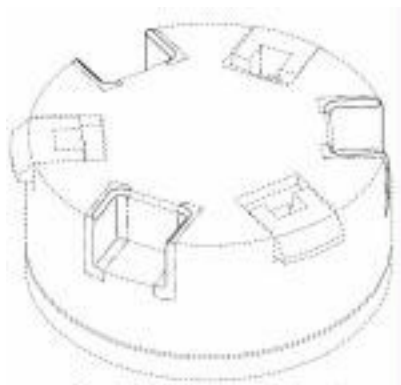
Accessory for head-mounted display

[73] KABUSHIKI KAISHA SONY INTERACTIVE ENTERTAINMENT (SONY
INTERACTIVE ENTERTAINMENT INC.)

1-7-1 KONAN, MINATO-KU,
TOKYO 108-0075,
JAPAN

[74] China Patent Agent (H.K.) Ltd.

22/F, Great Eagle Centre,
23 Harbour Road, Wanchai,
Hong Kong.



[11] 1801713.3

[15] 22-08-2018

[30] 23-02-2018 / EM / 004724003-0009

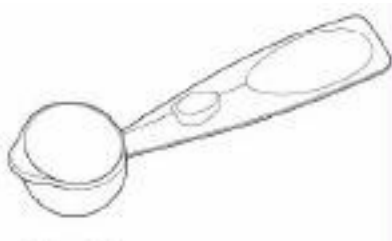
[51] Cl. 7-03

[54] 量勺

Measuring scoop

[73] MEAD JOHNSON NUTRITION COMPANY
225 NORTH CANAL STREET,
25TH FLOOR CHICAGO, ILLINOIS 60606, U.S.A.,
UNITED STATES

[74] China Patent Agent (H.K.) Ltd.
22/F, Great Eagle Centre,
23 Harbour Road, Wanchai,
Hong Kong.



[11] 1801714.5M001

[15] 22-08-2018

[30] 23-02-2018 / EM / 004724003-0002

[51] Cl. 9-07

[54] 用於容器的蓋子

Lid for containers

[73] MEAD JOHNSON NUTRITION COMPANY
225 NORTH CANAL STREET,
25TH FLOOR CHICAGO, ILLINOIS 60606, U.S.A.,
UNITED STATES

[74] China Patent Agent (H.K.) Ltd.
22/F, Great Eagle Centre,
23 Harbour Road, Wanchai,
Hong Kong.



[11] 1801714.5M002

[15] 22-08-2018

[30] 23-02-2018 / EM / 004724003-0001

[51] Cl. 9-07

[54] 用於容器的蓋子

Lid for containers

[73] MEAD JOHNSON NUTRITION COMPANY

225 NORTH CANAL STREET,

25TH FLOOR CHICAGO, ILLINOIS 60606, U.S.A.,

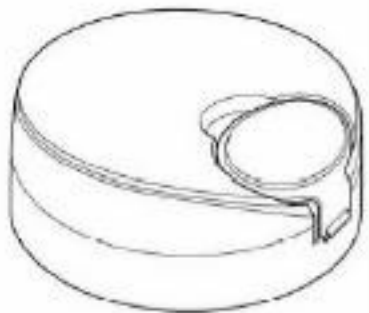
UNITED STATES

[74] China Patent Agent (H.K.) Ltd.

22/F, Great Eagle Centre,

23 Harbour Road, Wanchai,

Hong Kong.



[11] 1801716.0M001

[15] 22-08-2018

[30] 23-02-2018 / EM / 004724003-0007

[51] Cl. 9-07

[54] 用於容器的蓋子

Lid for containers

[73] MEAD JOHNSON NUTRITION COMPANY

225 NORTH CANAL STREET,

25TH FLOOR CHICAGO, ILLINOIS 60606 U.S.A.,

UNITED STATES

[74] China Patent Agent (H.K.) Ltd.

22/F, Great Eagle Centre,

23 Harbour Road, Wanchai,

Hong Kong.



[11] 1801716.0M002

- [15] 22-08-2018
- [30] 23-02-2018 / EM / 004724003-0005
- [51] Cl. 9-07
- [54] 用於容器的蓋子
Lid for containers
- [73] MEAD JOHNSON NUTRITION COMPANY
225 NORTH CANAL STREET,
25TH FLOOR CHICAGO, ILLINOIS 60606 U.S.A.,
UNITED STATES
- [74] China Patent Agent (H.K.) Ltd.
22/F, Great Eagle Centre,
23 Harbour Road, Wanchai,
Hong Kong.



-
- [11] 1801754.9
- [15] 27-08-2018
- [30] 04-05-2018 / KR / 30-2018-0020840
- [51] Cl. 3-01
- [54] 手機殼
Cell phone case
- [73] JU-SHIK-HOE-SA REARTH (Rearth Inc.)
3F, 77, Bucheon-ro 208beon-gil,
Bucheon-si, Gyeonggi-do,
KOREA, REPUBLIC OF
- [74] NTD Patent & Trade Mark Agency Ltd.
Units 1805-6, 18/F., Greenfield Tower,
Concordia Plaza, No.1 Science Museum Road,
Tsimshatsui East, Kowloon, Hong Kong.



[11] 1801793.1

[15] 31-08-2018

[30] 02-03-2018 / EM, JP, KR / 6598401

[51] Cl. 2-04

[54] 鞋

Shoes

[73] BALENCIAGA

40 rue de Sèvres,

75007 Paris,

FRANCE

[74] Deacons

5th Floor,

Alexandra House,

Central, Hong Kong.





香港特別行政區政府知識產權署外觀設計註冊處

The Government of the Hong Kong Special Administrative Region

Designs Registry, Intellectual Property Department

根據註冊外觀設計條例第28條，下列註冊外觀設計因未繳續期費而停止有效。各組記項按註冊外觀設計停止有效日期及註冊編號先後次序排列。

Registered designs ceased through non-payment of renewal fees under section 28 of the Registered Designs Ordinance. Entries are listed below under their expiry dates.

15-03-2019 - 20-03-2019

16.03.2019	1400478.8M022	1400480.2M002
0410593.2	1400478.8M023	1400481.4
0410594.4	1400478.8M024	1400483.8
0410595.7	1400478.8M025	01400484
0410596.9	1400478.8M026	1400485.3
0410597.1	1400478.8M027	1400486.5
0410598.3	1400478.8M028	1400488.9
0900408.4	1400478.8M029	1400490.3M001
0900412.2	1400478.8M030	1400490.3M002
1400463.6	1400478.8M031	1400490.3M003
1400464.8	1400478.8M032	1400491.5M001
1400465.1	1400478.8M033	1400491.5M002
1400466.3	1400478.8M034	
1400478.8M001	1400478.8M035	18.03.2019
1400478.8M002	9910314.5	0410624.9
1400478.8M003		0410625.2
1400478.8M004	17.03.2019	0410633.8
1400478.8M005	0900414.6M001	1400492.7
1400478.8M006	0900414.6M002	1400493.9M001
1400478.8M007	0900414.6M003	1400493.9M002
1400478.8M008	0900414.6M004	1400495.4M001
1400478.8M009	0900414.6M005	1400495.4M002
1400478.8M010	0900414.6M006	1400495.4M003
1400478.8M011	0900414.6M007	1400495.4M004
1400478.8M012	0900419.7	1400495.4M005
1400478.8M013	0900423.5	1400495.4M006
1400478.8M014	0900426.2	1400497.8
1400478.8M015	0900427.4	01400498
1400478.8M016	0900428.6	1400499.2M001
1400478.8M017	0900429.8	1400499.2M002
1400478.8M018	00900430	1400499.2M003
1400478.8M019	0900431.2	1400499.2M004
1400478.8M020	0900432.4	9910328.5
1400478.8M021	1400480.2M001	

19.03.2019	1400520.9M003
0900438.7M002	1400523.5M001
0900439.9	1400523.5M002
0900440.1	
0900441.3	
0900443.7	
0900444.9M001	
0900444.9M002	
0900446.4M001	
0900446.4M002	
00900449	
1400501.9	
1400502.1	
1400504.5M001	
1400504.5M002	
1400504.5M003	
1400504.5M004	
1400504.5M005	
1400504.5M006	
1400504.5M007	
1400504.5M008	
1400504.5M009	
1400504.5M010	
1400504.5M011	
1400505.8M001	
1400505.8M002	
01400506	
1400507.2	
1400508.4	
1400509.6M001	
1400509.6M002	
1400510.8	
1400511.0M001	
1400511.0M002	
1400512.2	
1400513.4	
1400514.6	
20.03.2019	
1400515.9	
1400516.1	
1400517.3	
1400520.9M001	
1400520.9M002	



香港特別行政區政府知識產權署外觀設計註冊處

The Government of the Hong Kong Special Administrative Region

Designs Registry, Intellectual Property Department

根據註冊外觀設計規則第 31 條刪除的註冊外觀設計。各組記項按註冊外觀設計 刪除日期及註冊編號先後次序排列。

Registered designs removed under section 31 of the Registered Designs Rules. Entries are listed below under their removal dates.

15-03-2019 - 20-03-2019

15.03.2019	1301548.8	1301573.0M020
0802169.7	01301549	1301573.0M021
	1301550.2	1301573.0M022
18.03.2019	1301551.4	1301573.0M023
0802201.6M001	1301552.6	1301573.0M024
0802201.6M002	1301553.8	1301573.0M025
0802202.8M002	01301554	1301574.2M001
1301540.1	1301555.3	1301574.2M002
1301541.3	1301558.9M001	1301575.5M001
1301542.5	1301558.9M002	1301575.5M002
1301544.9	1301559.1	
9811179.8	1301560.3	20.03.2019
	1301561.5	1301578.1
19.03.2019	1301564.1	1301579.3
0311485.3	1301567.8	1301580.5
0311486.5	1301571.6	1301581.7
0311488.9	1301572.8	1301582.9M001
0311489.1	1301573.0M001	1301582.9M002
0311490.3	1301573.0M002	1301582.9M003
0311491.5	1301573.0M003	1301583.1M001
0311493.9M001	1301573.0M004	1301583.1M002
0311493.9M002	1301573.0M005	1301583.1M003
0311493.9M003	1301573.0M006	1301583.1M004
0311493.9M004	1301573.0M007	1301583.1M005
0311493.9M005	1301573.0M008	1301583.1M006
0311493.9M006	1301573.0M009	1301584.3M001
0311493.9M007	1301573.0M010	1301584.3M002
0311493.9M008	1301573.0M011	1301584.3M003
0311502.1M001	1301573.0M012	1301584.3M004
0311502.1M002	1301573.0M013	1301585.6M001
0802208.1	1301573.0M014	1301585.6M002
0802209.3	1301573.0M015	1301585.6M003
0802219.4	1301573.0M016	1301585.6M004
0802233.3	1301573.0M017	1301585.6M005
1301546.4	1301573.0M018	1301585.6M006
1301547.6	1301573.0M019	1400268.3M001

1400268.3M002

1400268.3M003

1400268.3M004

1400268.3M005

1400268.3M006

1400268.3M007

1401580.6