

# 香港知識產權公報

Hong Kong Intellectual Property Journal

2021年6月4日

04 June 2021

## 目錄 Contents

### 根據註冊外觀設計條例第 25 條註冊的外觀設計

#### **Designs Registered under section 25 of the Registered Designs Ordinance**

按註冊編號排列

Arranged by Registration Number

### 根據註冊外觀設計條例(第 522 章)公布的其他公告

#### **Other Notices Published under the Registered Designs Ordinance (Cap. 522)**

根據註冊外觀設計條例第 28 條，註冊外觀設計因未繳續期費而停止有效

Registered designs ceased through non-payment of renewal fees under section 28 of the Registered Designs Ordinance

根據註冊外觀設計規則第 31 條刪除的註冊外觀設計

Registered designs removed under section 31 of the Registered Designs Rules

根據註冊外觀設計條例第 67 及 76 條，更正註冊紀錄冊內及已提交文件中的錯誤

Correction of Errors in Register and in Filed Documents under sections 67 and 76 of the Registered Designs Ordinance

### 以下事項沒有記錄

#### **No Records for the Following Matters**

根據註冊外觀設計條例第 30 條放棄的外觀設計的註冊

Surrender of Registration of Design under section 30 of the Registered Designs Ordinance

根據註冊外觀設計規則第 37 條，向處長作出轉介

Reference to Registrar under section 37 of the Registered Designs Rules

根據註冊外觀設計條例第 45 條，撤銷註冊

Revocation of Registration under section 45 of the Registered Designs Ordinance

根據註冊外觀設計規則第 46 條，向法院作出轉介

Reference to Court under section 46 of the Registered Designs Rules

根據註冊外觀設計規則第 63 條對不符合規定之處作出糾正

Rectification of Irregularities under section 63 of the Registered Designs Rules

根據註冊外觀設計條例第 66 條，糾正註冊紀錄冊

Rectification of Register under section 66 of the Registered Designs Ordinance

根據註冊外觀設計條例第 67 條 更正註冊紀錄冊內的錯誤

Correction of errors in Register under section 67 of the Registered Designs Ordinance

根據註冊外觀設計條例第 76 條，更正已提交文件中的錯誤

Correction of errors in filed documents under section 76 of the Registered Designs Ordinance

勘誤

Corrigendum

## 註冊外觀設計公告註釋

### Notes on advertisements of registration of designs

方括號表示下列資料：

Square brackets indicate the following data：

[11] 註冊編號 Registration number / 聯合王國註冊編號 United Kingdom registration number

[15] 註冊日期 Registration date / 當作註冊日期 Deemed registration date / 聯合王國註冊日期 United Kingdom registration date

[17] 註冊有效期屆滿日期 Expiry date of the period of registration

[22] 提交日期 Filing date / 當作提交日期 Deemed filing date / 聯合王國提交日期 United Kingdom filing date

[30] 聲稱享有的優先權（提交日期 / 巴黎公約國或世界貿易組織成員 / 申請編號） Priority claimed (filing date / Paris Convention country or WTO member / application number)

[51] 國際外觀設計分類號（洛迦諾分類號） International Classification of designs (Locarno Classification)

[54] 物品 Article

[55] 外觀設計的表述 Representation of the design

[62] 分開前的申請編號及提交日期 Application number before division and filing date

[66] 過往註冊的聯繫外觀設計註冊編號 / 日期 Registration No. / Date of Previous Registration for Association

[72] 設計人 Designer

[73] 擁有人姓名和地址 Name and address of the owner

[74] 代理人 Agent / 送達地址 Address for service



香港特別行政區政府知識產權署外觀設計註冊處

The Government of the Hong Kong Special Administrative Region

Designs Registry, Intellectual Property Department

## 根據註冊外觀設計條例第 25 條註冊的外觀設計

### Designs registered under section 25 of the Registered Designs Ordinance

按註冊編號排列

Arranged by Registration Number

[11] 2017266.6M001

[15] 17-12-2020

[30] 17-06-2020 / AU / 202013374

[51] Cl. 23-04

[54] 安裝於天花板的循環裝置

Ceiling mounted circulation unit

[73] Beacon Lighting International Limited

Suite 01, 66/F, The Center,

99 Queens Road Central,

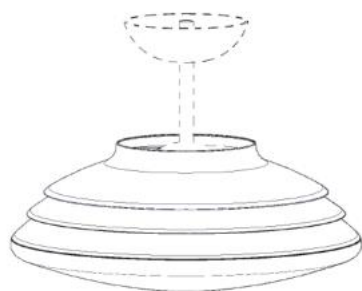
Hong Kong

[74] ZHONGYI UNION IP INTERNATIONAL COMPANY LIMITED

Room 803, Chevalier House,

45-51 Chatham Road South,

Tsim Sha Tsui, Kowloon, Hong Kong



---

[11] 2017266.6M002

[15] 17-12-2020

[30] 17-06-2020 / AU / 202013374

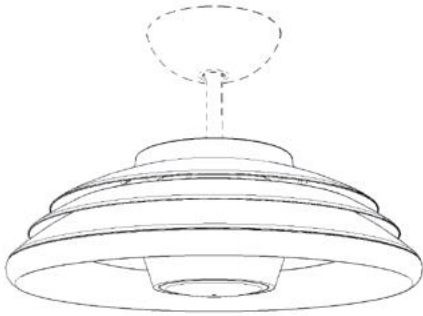
[51] Cl. 23-04

[54] 安裝於天花板的循環裝置

Ceiling mounted circulation unit

[73] Beacon Lighting International Limited  
Suite 01, 66/F, The Center,  
99 Queens Road Central,  
Hong Kong

[74] ZHONGYI UNION IP INTERNATIONAL COMPANY LIMITED  
Room 803, Chevalier House,  
45-51 Chatham Road South,  
Tsim Sha Tsui, Kowloon, Hong Kong



---

[11] 2017266.6M003

[15] 17-12-2020

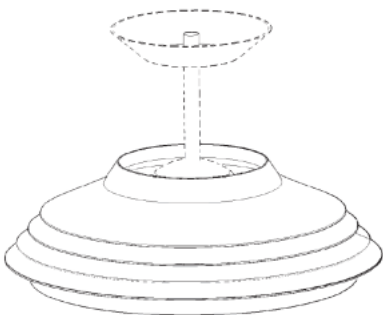
[30] 17-06-2020 / AU / 202013374

[51] Cl. 23-04

[54] 安裝於天花板的循環裝置  
Ceiling mounted circulation unit

[73] Beacon Lighting International Limited  
Suite 01, 66/F, The Center,  
99 Queens Road Central,  
Hong Kong

[74] ZHONGYI UNION IP INTERNATIONAL COMPANY LIMITED  
Room 803, Chevalier House,  
45-51 Chatham Road South,  
Tsim Sha Tsui, Kowloon, Hong Kong



[11] 2117389.7

[15] 08-01-2021

[51] Cl. 9-05

[54] 可摺疊食品袋  
Foldable food bag

[73] 尤金港  
You Kam Kong  
香港九龍  
觀塘鴻圖道 88 號  
志聯中心 2 樓 A 室

[74] You Kam Kong and Tracy Choi  
香港九龍  
觀塘鴻圖道 88 號  
志聯中心 2 樓 A 室



[11] 2117511.8

[15] 29-01-2021

[30] 31-07-2020 / US / 29/744,896

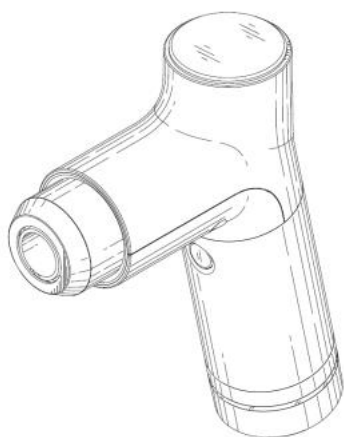
[51] Cl. 28-03

[54] 敲擊按摩裝置  
Percussive massage device

[73] HYPER ICE, INC.  
525 Technology Drive, Suite 100,  
Irvine, California 92618,  
United States

[74] CHINA PATENT AGENT (HONG KONG) LIMITED  
22/F, Great Eagle Centre,  
23 Harbour Road,  
Wanchai, Hong Kong





---

[11] 2117535.9M001

[15] 09-02-2021

[51] Cl. 14-02

[54] 付款處理器

Payment processor

[73] 京投交通科技(香港)有限公司

BII Transit Systems (HK) Company Limited

香港九龍灣

臨樂街8號

商業廣場16樓1至8室

[74] BII Transit Systems (HK) Co Ltd

香港九龍灣

臨樂街8號

商業廣場16樓1至8室



[11] 2117535.9M002

[15] 09-02-2021

[51] Cl. 14-02

[54] 司機用顯示控制面板

Display control panel for driver

[73] 京投交通科技(香港)有限公司

BII Transit Systems (HK) Company Limited

香港九龍灣

臨樂街8號

商業廣場16樓1至8室

[74] BII Transit Systems (HK) Co Ltd

香港九龍灣

臨樂街8號

商業廣場16樓1至8室



---

[11] 2117538.5

[15] 04-02-2021

[51] Cl. 11-01

[54] 鑽石

Diamond

[73] 甘卓英

KAM, Cheuk Ying

6/F, 73 Waterloo Road,

Kowloon,

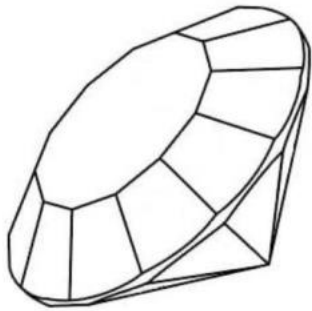
Hong Kong

[74] FEDERATION OF HONG KONG INDUSTRIES

31/F, Billion Plaza,

8 Cheung Yue Street,

Cheung Sha Wan, Kowloon, Hong Kong



- 
- [11] 2117742.7M001  
[15] 23-03-2021  
[30] 09-10-2020 / EU / 008199467-0001  
[51] Cl. 2-04  
[54] 鞋  
Shoes  
[73] Birkenstock GmbH & Co. KG  
Burg Ockenfels,  
53545 Linz,  
Germany  
[74] DEACONS  
5th Floor, Alexandra House,  
Central,  
Hong Kong



- 
- [11] 2117742.7M002  
[15] 23-03-2021  
[30] 09-10-2020 / EU / 008199467-0003  
[51] Cl. 2-04  
[54] 鞋  
Shoes  
[73] Birkenstock GmbH & Co. KG  
Burg Ockenfels,

53545 Linz,  
Germany

[74] DEACONS  
5th Floor, Alexandra House,  
Central,  
Hong Kong



---

[11] 2117742.7M003

[15] 23-03-2021

[30] 09-10-2020 / EU / 008199467-0012

[51] Cl. 2-07

[54] 扣  
Buckle

[73] Birkenstock GmbH & Co. KG  
Burg Ockenfels,  
53545 Linz,  
Germany

[74] DEACONS  
5th Floor, Alexandra House,  
Central,  
Hong Kong



---

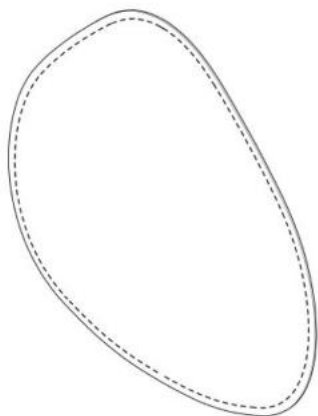
[11] 2117847.0

[15] 13-04-2021

[30] 04-11-2020 / KR / 30-2020-0053141

[51] Cl. 29-02

- [54] 面具式空氣淨化器的衛生護墊  
Sanitary pad for mask type air purifiers
- [73] LG Jeon za Joo-sik-hoi-sa (LG Electronics Inc.)  
128, Yeoui-daero,  
Yeongdeungpo-gu, Seoul, 150-721,  
Korea, Republic of
- [74] SPRUSON & FERGUSON (HONG KONG) LIMITED  
5001 Hopewell Centre,  
183 Queen's Road East,  
Wan Chai, Hong Kong



- 
- [11] 2117859.5M001
- [15] 15-04-2021
- [30] 29-10-2020 / EU / 008219836
- [51] Cl. 23-01
- [54] 水龍頭  
Faucet
- [73] Hansgrohe SE  
Auestr. 5-9,  
77761 Schiltach,  
Germany
- [74] Rouse & Co. International (Overseas) Limited  
18/F., Golden Centre,  
188 Des Voeux Road Central,  
Hong Kong



---

[11] 2117859.5M002

[15] 15-04-2021

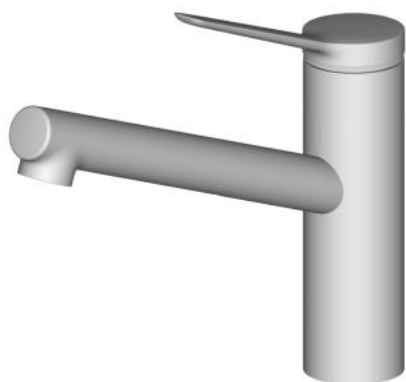
[30] 29-10-2020 / EU / 008219836

[51] Cl. 23-01

[54] 水龍頭  
Faucet

[73] Hansgrohe SE  
Auestr. 5-9,  
77761 Schiltach,  
Germany

[74] Rouse & Co. International (Overseas) Limited  
18/F., Golden Centre,  
188 Des Voeux Road Central,  
Hong Kong



---

[11] 2117864.5M001

[15] 16-04-2021

[30] 27-10-2020 / SG, CH, GB, EU, JP, KR / DM/211 042

[51] Cl. 11-01

[54] 戒指

Ring

[73] VAN CLEEF & ARPELS SA

Route des Biches 8,  
1752 Villars-sur-Glâne,  
Switzerland

[74] ATL LAW OFFICES

16/F., China Hong Kong Tower,  
8-12 Hennessy Road,  
Wanchai, Hong Kong



---

[11] 2117864.5M002

[15] 16-04-2021

[30] 27-10-2020 / SG, CH, GB, EU, JP, KR / DM/211 041

[51] Cl. 11-01

[54] 吊墜

Pendant

[73] VAN CLEEF & ARPELS SA

Route des Biches 8,  
1752 Villars-sur-Glâne,  
Switzerland

[74] ATL LAW OFFICES

16/F., China Hong Kong Tower,  
8-12 Hennessy Road,  
Wanchai, Hong Kong



---

[11] 2117866.0

[15] 16-04-2021

[30] 06-11-2020 / US / 29/757,484

[51] Cl. 26-05

[54] 矮型燈具

Low profile light fixture

[73] HGCI 股份有限公司

HGCI, Inc.

3993 Howard Hughes Parkway,

Las Vegas, Nevada 89169,

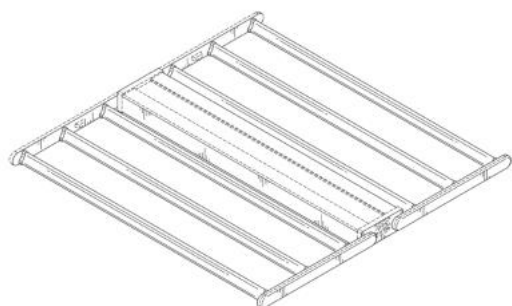
United States

[74] LIU, SHEN & ASSOCIATES

Room 3716, 37/F, Sun Hung Kai Centre,

30 Harbour Road,

Wanchai, Hong Kong



---

[11] 2117867.2M001

[15] 16-04-2021



[30] 06-11-2020 / CA, AM, AZ, BZ, BA, GE, LI, MK, MD, MC, MN, ME, MA, NO, OM, SG, CH, TN, TR, UA, GB, EU, AL, KG / DM/211 318

[51] Cl. 11-01

[54] 指環  
Ring

[73] Harry Winston SA  
Chemin du Tourbillon 8,  
CH-1228 Plan-les-Ouates,  
Switzerland

[74] SPRUSON & FERGUSON (HONG KONG) LIMITED  
5001 Hopewell Centre,  
183 Queen's Road East,  
Wan Chai, Hong Kong



---

[11] 2117867.2M002

[15] 16-04-2021

[30] 06-11-2020 / CA, AM, AZ, BZ, BA, GE, LI, MK, MD, MC, MN, ME, MA, NO, OM, SG, CH, TN, TR, UA, GB, EU, AL, KG / DM/211 318

[51] Cl. 11-01

[54] 耳環  
Earrings

[73] Harry Winston SA  
Chemin du Tourbillon 8,  
CH-1228 Plan-les-Ouates,  
Switzerland

[74] SPRUSON & FERGUSON (HONG KONG) LIMITED  
5001 Hopewell Centre,  
183 Queen's Road East,  
Wan Chai, Hong Kong



---

[11] 2117867.2M003

[15] 16-04-2021

[30] 06-11-2020 / CA, AM, AZ, BZ, BA, GE, LI, MK, MD, MC, MN, ME, MA, NO, OM, SG, CH, TN, TR, UA, GB, EU, AL, KG / DM/211 318

[51] Cl. 11-01

[54] 冠狀頭飾

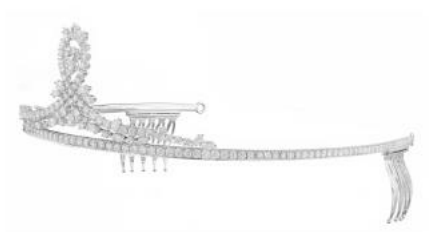
Tiara

[73] Harry Winston SA

Chemin du Tourbillon 8,  
CH-1228 Plan-les-Ouates,  
Switzerland

[74] SPRUSON & FERGUSON (HONG KONG) LIMITED

5001 Hopewell Centre,  
183 Queen's Road East,  
Wan Chai, Hong Kong



---

[11] 2117867.2M004

[15] 16-04-2021

[30] 06-11-2020 / CA, AM, AZ, BZ, BA, GE, LI, MK, MD, MC, MN, ME, MA, NO, OM, SG, CH, TN, TR, UA, GB, EU, AL, KG / DM/211 318

[51] Cl. 11-01

[54] 指環  
Ring

[73] Harry Winston SA  
Chemin du Tourbillon 8,  
CH-1228 Plan-les-Ouates,  
Switzerland

[74] SPRUSON & FERGUSON (HONG KONG) LIMITED  
5001 Hopewell Centre,  
183 Queen's Road East,  
Wan Chai, Hong Kong



---

[11] 2117868.4

[15] 16-04-2021

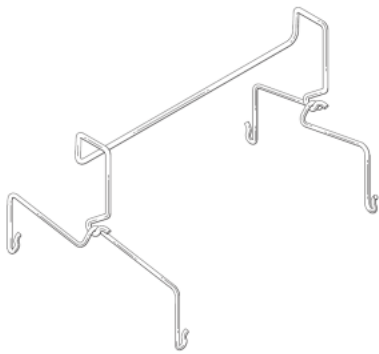
[30] 04-11-2020 / US / 29/757,250

[51] Cl. 26-05

[54] 燈具吊架  
Hanger for light fixture

[73] HGCI 股份有限公司  
HGCI, Inc.  
3993 Howard Hughes Parkway,  
Las Vegas, Nevada 89169,  
United States

[74] LIU, SHEN & ASSOCIATES  
Room 3716, 37/F, Sun Hung Kai Centre,  
30 Harbour Road,  
Wanchai, Hong Kong



---

[11] 2117869.6

[15] 16-04-2021

[30] 30-10-2020 / CN / 202030650049.8

[51] Cl. 13-03

[54] 排插

Socket

[73] 東莞市萬旅電器有限公司

中國內地

廣東省東莞市長安鎮新安社區

橫崗頭園山仔路 1 號

[74] 港智國際知識產權代理有限公司

香港上環

德輔道中 272-284 號

興業商業中心 5 樓 505 室



---

[11] 2117870.8

[15] 19-04-2021

[51] Cl. 9-03

[54] 包裝盒

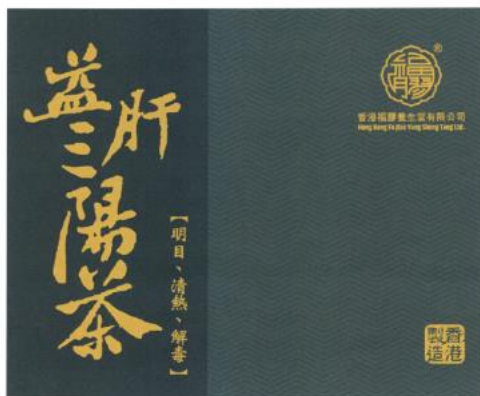
Packaging box

[73] 莊振年

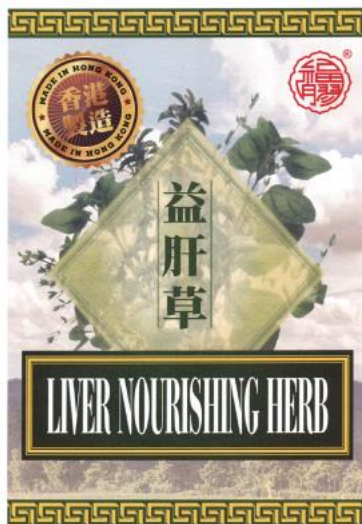
香港中上環

高陞街 36 號  
恒利商業大廈 6/F 2-3 室

- [74] 細莊科技藥業有限公司  
香港中上環  
高陞街 36 號  
恒利商業大廈 6/F 2-3 室



- 
- [11] 2117871.0  
[15] 19-04-2021  
[51] Cl. 9-03  
[54] 包裝盒  
Packaging box  
[73] 莊振年  
香港中上環  
高陞街 36 號  
恒利商業大廈 6/F 2-3 室  
[74] 香港福膠製藥廠有限公司  
香港中上環  
高陞街 36 號  
恒利商業大廈 6/F 2-3 室



[11] 2117872.2M001

[15] 19-04-2021

[51] Cl. 23-04

[54] 香薰機

Aroma diffuser

[73] 璞真生活有限公司

PUZHEN LIFE CO., LTD

Unit 1112-1116, 11/F, Delta House,

3 On Yiu Street,

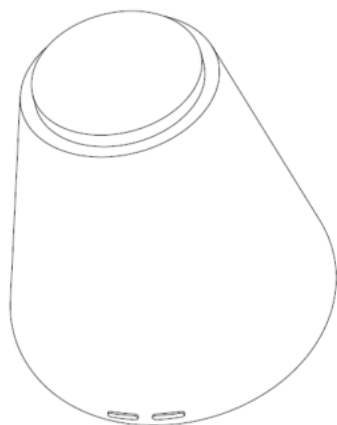
Shatin, Hong Kong

[74] FEDERATION OF HONG KONG INDUSTRIES

31/F, Billion Plaza,

8 Cheung Yue Street,

Cheung Sha Wan, Kowloon, Hong Kong



[11] 2117872.2M002

[15] 19-04-2021

[51] Cl. 23-04

[54] 香薰機

Aroma diffuser

[73] 璞真生活有限公司

PUZHEN LIFE CO., LTD

Unit 1112-1116, 11/F, Delta House,

3 On Yiu Street,

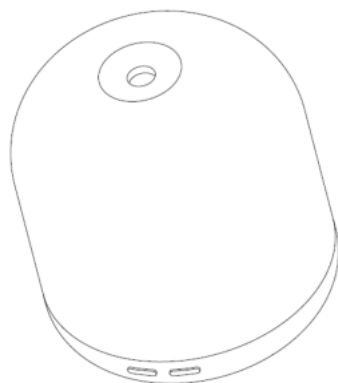
Shatin, Hong Kong

[74] FEDERATION OF HONG KONG INDUSTRIES

31/F, Billion Plaza,

8 Cheung Yue Street,

Cheung Sha Wan, Kowloon, Hong Kong



---

[11] 2117872.2M003

[15] 19-04-2021

[51] Cl. 23-04

[54] 香薰機

Aroma diffuser

[73] 璞真生活有限公司

PUZHEN LIFE CO., LTD

Unit 1112-1116, 11/F, Delta House,

3 On Yiu Street,

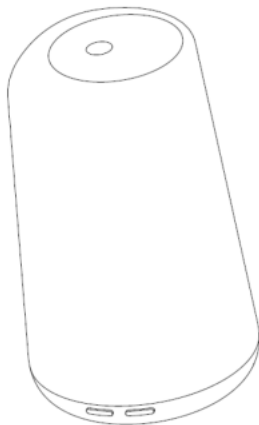
Shatin, Hong Kong

[74] FEDERATION OF HONG KONG INDUSTRIES

31/F, Billion Plaza,

8 Cheung Yue Street,

Cheung Sha Wan, Kowloon, Hong Kong



---

[11] 2117874.6

[15] 07-05-2021

[51] Cl. 24-01

[54] 理療儀器

Physiotherapy device

[73] 美斯凱實業有限公司

Maxcare Industrial Limited

香港北角

健康東街 39 號

柯達大廈 2 期 1601 室

[74] 美斯凱實業有限公司 (Maxcare Industrial Limited)

香港北角

健康東街 39 號

柯達大廈 2 期 1601 室



---

[11] 2117875.9M001



[15] 19-04-2021

[51] Cl. 23-01

[54] 帶有夾緊表面的管接頭

Pipe couplers, with gripping surfaces

[73] Wavin B.V.

Stationsplein 3,

Zwolle 8011 CW,

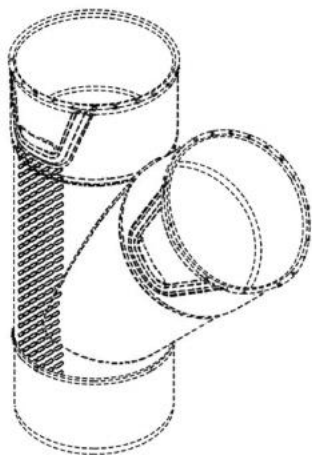
Netherlands

[74] CHINAHONGKONG IP LIMITED

3011, 30/F, Office Tower, Convention Plaza,

1 Harbour Road,

Hong Kong



---

[11] 2117875.9M002

[15] 19-04-2021

[51] Cl. 23-01

[54] 帶有夾緊表面的管接頭

Pipe couplers, with gripping surfaces

[73] Wavin B.V.

Stationsplein 3,

Zwolle 8011 CW,

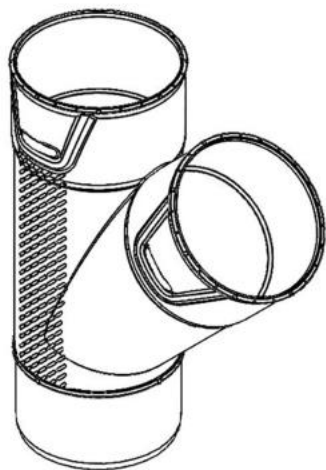
Netherlands

[74] CHINAHONGKONG IP LIMITED

3011, 30/F, Office Tower, Convention Plaza,

1 Harbour Road,

Hong Kong



---

[11] 2117875.9M003

[15] 19-04-2021

[51] Cl. 23-01

[54] 帶有夾緊表面的管接頭

Pipe couplers, with gripping surfaces

[73] Wavin B.V.

Stationsplein 3,

Zwolle 8011 CW,

Netherlands

[74] CHINAHONGKONG IP LIMITED

3011, 30/F, Office Tower, Convention Plaza,

1 Harbour Road,

Hong Kong



---

[11] 2117876.1M001

[15] 19-04-2021

[51] Cl. 23-01

[54] 帶有夾緊表面的管接頭

Pipe couplers, with gripping surfaces

[73] Wavin B.V.

Stationsplein 3,

Zwolle 8011 CW,

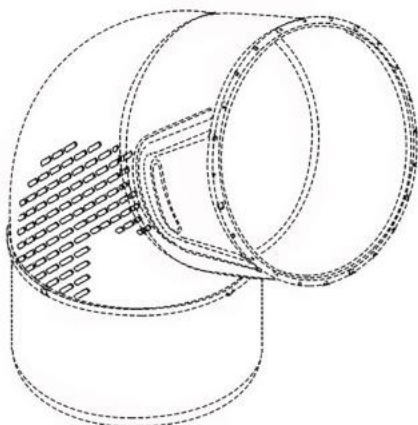
Netherlands

[74] CHINAHONGKONG IP LIMITED

3011, 30/F, Office Tower, Convention Plaza,

1 Harbour Road,

Hong Kong



---

[11] 2117876.1M002

[15] 19-04-2021

[51] Cl. 23-01

[54] 帶有夾緊表面的管接頭

Pipe couplers, with gripping surfaces

[73] Wavin B.V.

Stationsplein 3,

Zwolle 8011 CW,

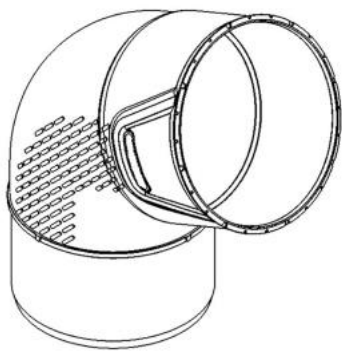
Netherlands

[74] CHINAHONGKONG IP LIMITED

3011, 30/F, Office Tower, Convention Plaza,

1 Harbour Road,

Hong Kong



---

[11] 2117876.1M003

[15] 19-04-2021

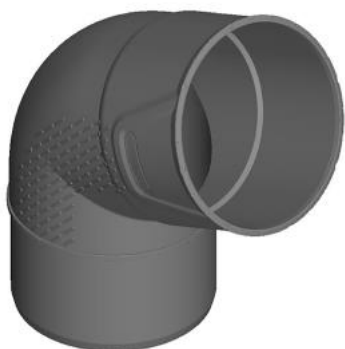
[51] Cl. 23-01

[54] 帶有夾緊表面的管接頭

Pipe couplers, with gripping surfaces

[73] Wavin B.V.  
Stationsplein 3,  
Zwolle 8011 CW,  
Netherlands

[74] CHINAHONGKONG IP LIMITED  
3011, 30/F, Office Tower, Convention Plaza,  
1 Harbour Road,  
Hong Kong



---

[11] 2117877.3

[15] 20-04-2021

[30] 23-10-2020 / KR / 30-2020-0050880

[51] Cl. 14-04

[54] 具有圖形用戶界面的顯示面板

Display panel with graphic user interface

[73] Coupang Corp.  
18F, 570 Songpa-daero,  
Songpa-gu, Seoul,  
Korea, Republic of

[74] DEACONS  
5th Floor, Alexandra House,  
Central,  
Hong Kong



---

[11] 2117878.5

[15] 20-04-2021

[51] Cl. 16-06

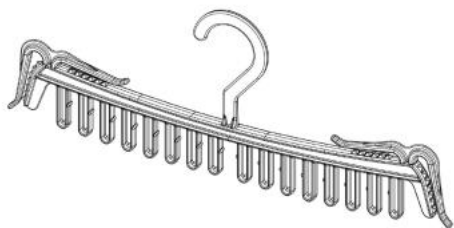
[54] 太陽眼鏡  
Sunglasses

[73] CHRISTIAN DIOR COUTURE  
30 Avenue Montaigne,  
75008 Paris,  
France

[74] WILKINSON & GRIST  
6th Floor, Prince's Building,  
Chater Road,  
Hong Kong



- [11] 2117880.9  
[15] 20-04-2021  
[30] 15-01-2021 / EU / 008403091-0001  
[51] Cl. 6-08  
[54] 衣架  
Garment hanger  
[73] 塔姆塑料製品貿易股份有限公司  
TAM PLASTIK VE KALIP SANAYI TICARET LIMITED SIRKETI  
Kavakil Mah. Deniz Aktas Cad.,  
No: 32, Beylikduzu Istanbul 34520,  
Turkey  
[74] CHINAHONGKONG IP LIMITED  
3011, 30/F, Office Tower, Convention Plaza,  
1 Harbour Road,  
Hong Kong



- 
- [11] 2117882.3M001  
[15] 20-04-2021  
[30] 18-12-2020 / RU, SG, CH, GB, US, EU, JP, KR / DM/212 391  
[51] Cl. 11-01  
[54] 手鐲  
Bracelet  
[73] VAN CLEEF & ARPELS SA  
Route des Biches 8,  
1752 Villars-sur-Glâne,  
Switzerland  
[74] ATL LAW OFFICES  
16/F., China Hong Kong Tower,  
8-12 Hennessy Road,  
Wanchai, Hong Kong



---

[11] 2117882.3M002

[15] 20-04-2021

[30] 18-12-2020 / RU, SG, CH, GB, US, EU, JP, KR / DM/212 389

[51] Cl. 11-01

[54] 項鍊

Necklace

[73] VAN CLEEF & ARPELS SA

Route des Biches 8,

1752 Villars-sur-Glâne,

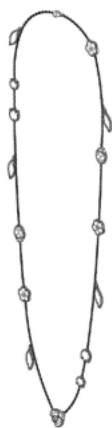
Switzerland

[74] ATL LAW OFFICES

16/F., China Hong Kong Tower,

8-12 Hennessy Road,

Wanchai, Hong Kong



---

[11] 2117882.3M003

[15] 20-04-2021

[30] 18-12-2020 / RU, SG, CH, GB, US, EU, JP, KR / DM/212 388

[51] Cl. 11-01

[54] 胸針

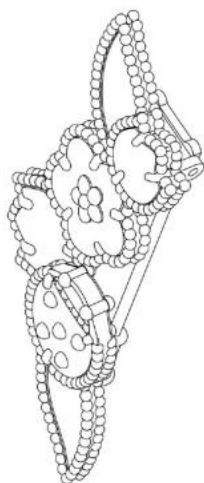
Brooch

[73] VAN CLEEF & ARPELS SA

Route des Biches 8,  
1752 Villars-sur-Glâne,  
Switzerland

[74] ATL LAW OFFICES

16/F., China Hong Kong Tower,  
8-12 Hennessy Road,  
Wanchai, Hong Kong



---

[11] 2117882.3M004

[15] 20-04-2021

[30] 18-12-2020 / RU, SG, CH, GB, US, EU, JP, KR / DM/213 232

[51] Cl. 11-01

[54] 珠寶的裝飾元件

Decorative element for jewellery

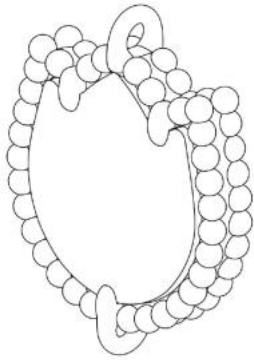
[73] VAN CLEEF & ARPELS SA

Route des Biches 8,  
1752 Villars-sur-Glâne,  
Switzerland

[74] ATL LAW OFFICES

16/F., China Hong Kong Tower,  
8-12 Hennessy Road,  
Wanchai, Hong Kong





---

[11] 2117882.3M005

[15] 20-04-2021

[30] 18-12-2020 / RU, SG, CH, GB, US, EU, JP, KR / DM/212 793

[51] Cl. 11-01

[54] 珠寶的裝飾元件

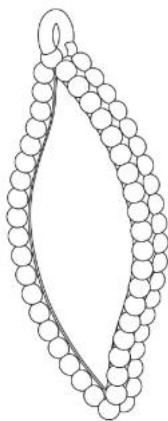
Decorative element for jewellery

[73] VAN CLEEF & ARPELS SA

Route des Biches 8,  
1752 Villars-sur-Glâne,  
Switzerland

[74] ATL LAW OFFICES

16/F., China Hong Kong Tower,  
8-12 Hennessy Road,  
Wanchai, Hong Kong



---

[11] 2117882.3M006

[15] 20-04-2021

[30] 18-12-2020 / RU, SG, CH, GB, US, EU, JP, KR / DM/212 387

[51] Cl. 11-01

[54] 珠寶的裝飾元件

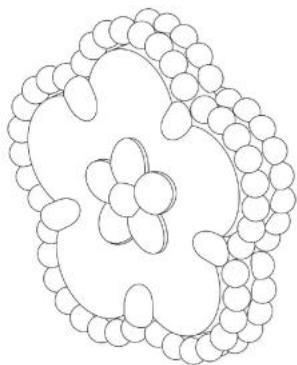
Decorative element for jewellery

[73] VAN CLEEF & ARPELS SA

Route des Biches 8,  
1752 Villars-sur-Glâne,  
Switzerland

[74] ATL LAW OFFICES

16/F., China Hong Kong Tower,  
8-12 Hennessy Road,  
Wanchai, Hong Kong



---

[11] 2117883.5

[15] 20-04-2021

[30] 25-11-2020 / CN / 202030716635.8

[51] Cl. 15-05

[54] 清潔機器人

Cleaning robot

[73] 炬星科技（深圳）有限公司

Syrius Robotics Co., Ltd.

中國內地

廣東省深圳市南山區粵海街道

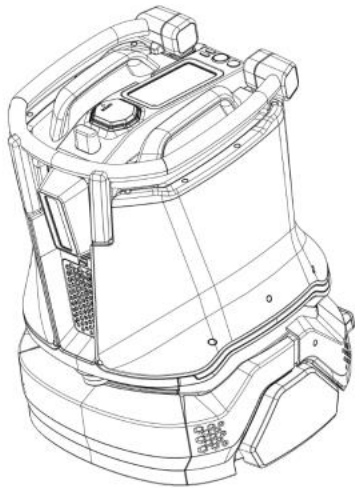
虛擬大學園 R3-B 棟 1 樓 101

[74] 百睿知識產權有限公司

香港新界

沙田香港科學園

科技大道西 10 號浚湖樓 617 室



---

[11] 2117884.7

[15] 21-04-2021

[51] Cl. 6-07

[54] 可調節鏡座

Adjustable mirror stand

[73] Erik A. Kaiser

70 Little West Street, 22E,

New York, NY 10004,

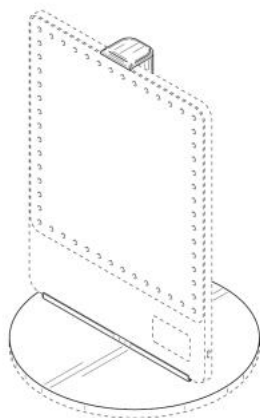
United States

[74] CHINAHONGKONG IP LIMITED

3011, 30/F, Office Tower, Convention Plaza,

1 Harbour Road,

Hong Kong



---

[11] 2117885.0M001

[15] 21-04-2021

[51] Cl. 9-01

[54] 分配瓶

Dispensing bottle

[73] Erik A. Kaiser

70 Little West Street, 22E,

New York, NY 10004,

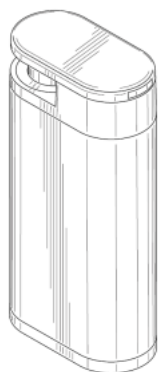
United States

[74] CHINAHONGKONG IP LIMITED

3011, 30/F, Office Tower, Convention Plaza,

1 Harbour Road,

Hong Kong



---

[11] 2117885.0M002

[15] 21-04-2021

[51] Cl. 9-01

[54] 分配瓶

Dispensing bottle

[73] Erik A. Kaiser

70 Little West Street, 22E,

New York, NY 10004,

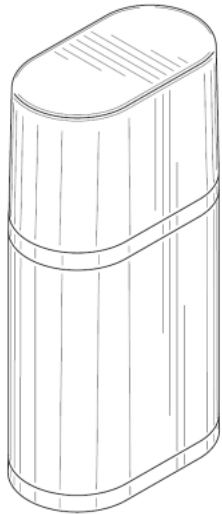
United States

[74] CHINAHONGKONG IP LIMITED

3011, 30/F, Office Tower, Convention Plaza,

1 Harbour Road,

Hong Kong



---

[11] 2117885.0M003

[15] 21-04-2021

[51] Cl. 9-01

[54] 分配瓶

Dispensing bottle

[73] Erik A. Kaiser

70 Little West Street, 22E,

New York, NY 10004,

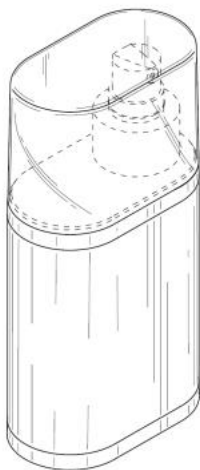
United States

[74] CHINAHONGKONG IP LIMITED

3011, 30/F, Office Tower, Convention Plaza,

1 Harbour Road,

Hong Kong



---

[11] 2117886.2

[15] 21-04-2021

[30] 30-10-2020 / JP / 023510 of 2020

[51] Cl. 14-03

[54] 用於電子設備的控制器

Controller for electronic device

[73] SONY INTERACTIVE ENTERTAINMENT INC.

1-7-1 Konan,  
Minato-Ku, Tokyo,  
Japan

[74] CHINA PATENT AGENT (HONG KONG) LIMITED

22/F, Great Eagle Centre,  
23 Harbour Road,  
Wanchai, Hong Kong



---

[11] 2117887.4M001

[15] 21-04-2021

[30] 08-01-2021 / CH, TR, GB, EU / DM/212 100

[51] Cl. 10-02

[54] 手錶

Wristwatch

[73] ETA SA Manufacture Horlogere Suisse

CH-2540 Grenchen,  
Switzerland

[74] SPRUSON & FERGUSON (HONG KONG) LIMITED

5001 Hopewell Centre,  
183 Queen's Road East,  
Wan Chai, Hong Kong



---

[11] 2117887.4M002

[15] 21-04-2021

[30] 08-01-2021 / CH, TR, GB, EU / DM/212 100

[51] Cl. 10-02

[54] 手錶

Wristwatch

[73] ETA SA Manufacture Horlogere Suisse

CH-2540 Grenchen,

Switzerland

[74] SPRUSON & FERGUSON (HONG KONG) LIMITED

5001 Hopewell Centre,

183 Queen's Road East,

Wan Chai, Hong Kong



- [11] 2117887.4M003  
[15] 21-04-2021  
[30] 08-01-2021 / CH, TR, GB, EU / DM/212 100  
[51] Cl. 10-02  
[54] 手錶  
Wristwatch  
[73] ETA SA Manufacture Horlogere Suisse  
CH-2540 Grenchen,  
Switzerland  
[74] SPRUSON & FERGUSON (HONG KONG) LIMITED  
5001 Hopewell Centre,  
183 Queen's Road East,  
Wan Chai, Hong Kong



- 
- [11] 2117887.4M004  
[15] 21-04-2021  
[30] 08-01-2021 / CH, TR, GB, EU / DM/212 100  
[51] Cl. 10-02  
[54] 手錶  
Wristwatch  
[73] ETA SA Manufacture Horlogere Suisse  
CH-2540 Grenchen,  
Switzerland  
[74] SPRUSON & FERGUSON (HONG KONG) LIMITED  
5001 Hopewell Centre,  
183 Queen's Road East,  
Wan Chai, Hong Kong





---

[11] 2117888.6

[15] 21-04-2021

[51] Cl. 13-02

[54] 無線充移動電源

Wireless charging mobile power supply

[73] 杰美泰實業（深圳）有限公司

中國內地

廣東省深圳市寶安區沙井街道

茅洲山工業園工業大廈全至科技創新園科創大廈 14 層 G

[74] 海思國際知識產權有限公司

香港灣仔

皇后大道東 183 號

合和中心 54 樓



---

[11] 2117889.8

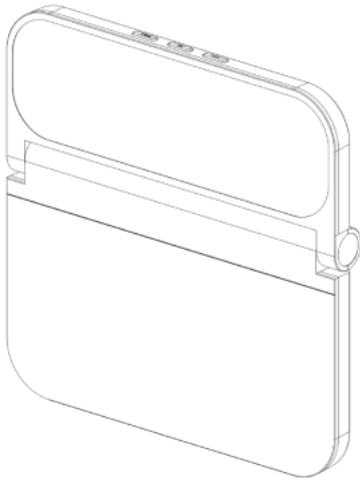
[15] 21-04-2021

[51] Cl. 13-02

[54] 智能無線充電器  
Smart wireless charger

[73] 杰美泰實業（深圳）有限公司  
中國內地  
廣東省深圳市寶安區沙井街道  
茅洲山工業園工業大廈全至科技創新園科創大廈 14 層 G

[74] 海思國際知識產權有限公司  
香港灣仔  
皇后大道東 183 號  
合和中心 54 樓



---

[11] 2117890.0

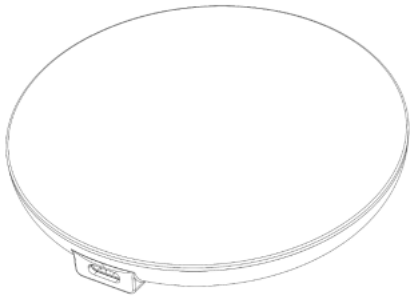
[15] 21-04-2021

[51] Cl. 13-02

[54] 無線充電器  
Wireless charger

[73] 杰美泰實業（深圳）有限公司  
中國內地  
廣東省深圳市寶安區沙井街道  
茅洲山工業園工業大廈全至科技創新園科創大廈 14 層 G

[74] 海思國際知識產權有限公司  
香港灣仔  
皇后大道東 183 號  
合和中心 54 樓



---

[11] 2117892.4

[15] 21-04-2021

[51] Cl. 29-02

[54] 口罩  
Mask

[73] 救世香港有限公司  
SAVEWO HONG KONG LIMITED  
1/F, 266-270 Texaco Road,  
Tsuen Wan, N.T.  
Hong Kong

[74] ACCOLADE IP LIMITED  
10/F, Fu Fai Comm. Ctr.,  
27 Hillier Street,  
Sheung Wan, Hong Kong



---

[11] 2117893.6

[15] 22-04-2021

[51] Cl. 9-01

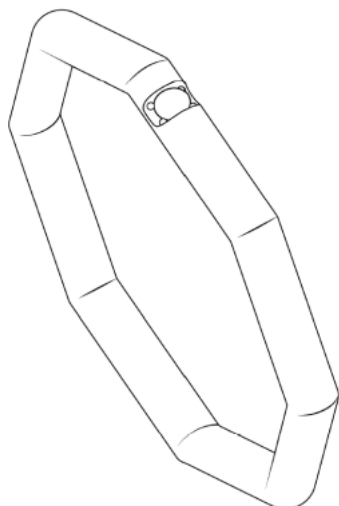
[54] 瓶子  
Bottle

[73] Società Agricola 47 Anno Domini, Società Semplice  
Via Treviso mare 2,  
31056, Roncade (Treviso),  
Italy

- [74] CHINAHONGKONG IP LIMITED  
3011, 30/F, Office Tower, Convention Plaza,  
1 Harbour Road,  
Hong Kong



- 
- [11] 2117895.1  
[15] 23-04-2021  
[51] Cl. 11-01  
[54] 戒指  
Ring  
[73] 周生生珠寶金行有限公司  
Chow Sang Sang Jewellery Company Limited  
4/F., Chow Sang Sang Building,  
229 Nathan Road,  
Kowloon, Hong Kong  
[74] HONG KONG INTELLECTUAL PROPERTY AGENT LIMITED  
Unit 230, 2/F, Building 12W,  
No. 12 Science Park West Avenue,  
Phase 3, Hong Kong Science Park,  
Pak Shek Kok, N.T., Hong Kong





香港特別行政區政府知識產權署外觀設計註冊處

The Government of the Hong Kong Special Administrative Region

Designs Registry, Intellectual Property Department

根據註冊外觀設計條例第 28 條，下列註冊外觀設計因未繳續期費而停止有效。

各組記項按註冊外觀設計停止有效日期及註冊編號先後次序排列。

**Registered designs ceased through non-payment of renewal fees under section 28 of the Registered Designs Ordinance. Entries are listed below under their expiry dates.**

**11-03-2021 - 17-03-2021**

<b>11-03-2021</b>		1600469.1
0110365.6	<b>15-03-2021</b>	1600470.3
0110366.8	0600642.7	1600471.5
	1100437.9	1600472.7
<b>12-03-2021</b>	1600453.7	1600473.9
0110368.2	1600454.9	1600474.1
	1600455.2	1600475.4
<b>13-03-2021</b>	1600457.6M001	
0600610.0	1600457.6M002	<b>17-03-2021</b>
1600431.1	1600461.4M001	0600667.0
1600432.3	1600461.4M002	1100449.4
1600435.0		1100450.6
1600436.2M001	<b>16-03-2021</b>	1100452.0
1600436.2M002	1100438.1M001	1600476.6
1600436.2M003	1100438.1M002	1600481.6M001
1600436.2M004	1100438.1M003	1600481.6M002
	1100438.1M004	1600481.6M003
<b>14-03-2021</b>	1100443.1M007	1600483.0
0600616.3	1100443.1M008	1600484.2
0600617.5M001	1100443.1M009	
0600617.5M002	1600464.0M001	
0600617.5M003	1600464.0M002	
1600438.6M003	1600464.0M003	
1600438.6M004	1600464.0M004	
1600438.6M006	1600464.0M005	
1600439.8	1600464.0M006	
1600440.0	1600464.0M007	
1600441.2M001	1600464.0M008	
1600441.2M002	1600464.0M009	
1600441.2M003	1600464.0M010	
1600441.2M004	1600464.0M011	
1600442.4	1600466.5	
1600444.8	1600467.7	
1600446.3	1600468.9	



香港特別行政區政府知識產權署外觀設計註冊處

The Government of the Hong Kong Special Administrative Region

Designs Registry, Intellectual Property Department

根據註冊外觀設計規則第 31 條刪除的註冊外觀設計。各組記項按註冊外觀設計刪除日期及註冊編號先後次序排列。

**Registered designs removed under section 31 of the Registered Designs Rules. Entries are listed below under their removal dates.**

**15-05-2021 - 20-05-2021**

<b>15-05-2021</b>	1001686.7M001
0502110.0M003	1001686.7M002
0502124.9	1001687.9
1001642.4	1001688.1
	1001689.3

**16-05-2021**

0011256.5  
0502151.6M001  
0502151.6M002  
1001657.6M001  
1001657.6M002  
1001657.6M003  
1001657.6M004  
1001658.8  
1502035.3  
1502037.7  
1502038.9M001  
1502038.9M002  
1502039.1M001  
1502039.1M002  
1502040.3  
1502041.5

**19-05-2021**

0502182.1M001  
0502182.1M002  
0502182.1M003  
0502185.8

**20-05-2021**

1502056.7M001  
1502056.7M002  
1502056.7M003  
1502062.9  
1502066.8M001  
1502066.8M002  
1502066.8M003  
1502066.8M004  
1502067.0

**17-05-2021**

0502167.0  
1001659.0  
1502042.7M001  
1502042.7M002  
1502047.8

**18-05-2021**

0502170.6  
0502171.8  
1001682.8



香港特別行政區政府知識產權署外觀設計註冊處

The Government of the Hong Kong Special Administrative Region

Designs Registry, Intellectual Property Department

## 根據註冊外觀設計條例第 67 及 76 條，更正註冊紀錄冊內及已提交文件中的錯誤

### **Correction of errors in register and in filed documents under sections 67 and 76 of the Registered Designs Ordinance**

下列在 19.03.2021 官方公報刊登的更正錯誤的請求已在 20.05.2021 獲准許

The following request for correction of error advertised in the official journal on 19.03.2021 was allowed on 20.05.2021

[11] 2016284.2

[51] Cl. 11-04

[54] 花藝加濕器 Floral art humidifier