

# 香港知識產權公報

Hong Kong Intellectual Property Journal

2020年12月4日  
04 December 2020



## 目錄 Contents

### 根據註冊外觀設計條例第 25 條註冊的外觀設計

#### **Designs Registered under section 25 of the Registered Designs Ordinance**

按註冊編號排列

Arranged by Registration Number

### 根據註冊外觀設計條例(第 522 章)公布的其他公告

#### **Other Notices Published under the Registered Designs Ordinance (Cap. 522)**

根據註冊外觀設計條例第 28 條，註冊外觀設計因未繳續期費而停止有效

Registered designs ceased through non-payment of renewal fees under section 28 of the Registered Designs Ordinance

根據註冊外觀設計規則第 31 條刪除的註冊外觀設計

Registered designs removed under section 31 of the Registered Designs Rules

根據註冊外觀設計條例第 67 及 76 條，更正註冊紀錄冊內及已提交文件中的錯誤

Correction of Errors in Register and in Filed Documents under sections 67 and 76 of the Registered Designs Ordinance

### 以下事項沒有記錄

#### **No Records for the Following Matters**

根據註冊外觀設計條例第 30 條放棄的外觀設計的註冊

Surrender of Registration of Design under section 30 of the Registered Designs Ordinance

根據註冊外觀設計規則第 37 條，向處長作出轉介

Reference to Registrar under section 37 of the Registered Designs Rules

根據註冊外觀設計條例第 45 條，撤銷註冊

Revocation of Registration under section 45 of the Registered Designs Ordinance

根據註冊外觀設計規則第 46 條，向法院作出轉介

Reference to Court under section 46 of the Registered Designs Rules

根據註冊外觀設計規則第 63 條對不符合規定之處作出糾正

Rectification of Irregularities under section 63 of the Registered Designs Rules

根據註冊外觀設計條例第 66 條，糾正註冊紀錄冊

Rectification of Register under section 66 of the Registered Designs Ordinance

根據註冊外觀設計條例第 67 條 更正註冊紀錄冊內的錯誤

Correction of errors in Register under section 67 of the Registered Designs Ordinance

根據註冊外觀設計條例第 76 條，更正已提交文件中的錯誤

Correction of errors in filed documents under section 76 of the Registered Designs Ordinance

勘誤

Corrigendum

## 註冊外觀設計公告註釋

### Notes on advertisements of registration of designs

方括號表示下列資料：

Square brackets indicate the following data：

[11] 註冊編號 Registration number / 聯合王國註冊編號 United Kingdom registration number

[15] 註冊日期 Registration date / 當作註冊日期 Deemed registration date / 聯合王國註冊日期 United Kingdom registration date

[17] 註冊有效期屆滿日期 Expiry date of the period of registration

[22] 提交日期 Filing date / 當作提交日期 Deemed filing date / 聯合王國提交日期 United Kingdom filing date

[30] 聲稱享有的優先權（提交日期 / 巴黎公約國或世界貿易組織成員 / 申請編號） Priority claimed (filing date / Paris Convention country or WTO member / application number)

[51] 國際外觀設計分類號（洛迦諾分類號） International Classification of designs (Locarno Classification)

[54] 物品 Article

[55] 外觀設計的表述 Representation of the design

[62] 分開前的申請編號及提交日期 Application number before division and filing date

[66] 過往註冊的聯繫外觀設計註冊編號 / 日期 Registration No. / Date of Previous Registration for Association

[72] 設計人 Designer

[73] 擁有人姓名和地址 Name and address of the owner

[74] 代理人 Agent / 送達地址 Address for service



香港特別行政區政府知識產權署外觀設計註冊處

The Government of the Hong Kong Special Administrative Region

Designs Registry, Intellectual Property Department

## 根據註冊外觀設計條例第 25 條註冊的外觀設計

### Designs registered under section 25 of the Registered Designs Ordinance

按註冊編號排列

Arranged by Registration Number

[11] 2016127.1M001

[15] 11-05-2020

[30] 11-11-2019 / EU / 007213236

[51] Cl. 27-99

[54] 氣霧產生裝置

Aerosol generating device

[73] Philip Morris Products S.A.

Quai Jeanrenaud 3,

CH-2000 Neuchâtel,

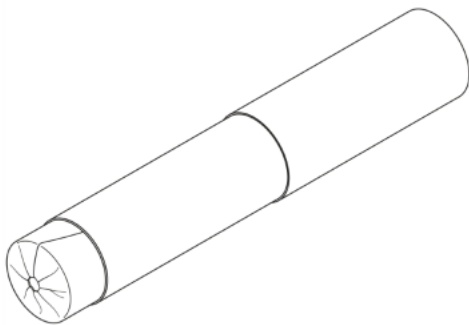
Switzerland

[74] CLT PATENT & TRADEMARK (H.K.) LIMITED

Unit 09, 34/F., Office Tower, Convention Plaza,

No. 1 Harbour Road,

Wanchai, Hong Kong



---

[11] 2016127.1M002

[15] 11-05-2020

[30] 11-11-2019 / EU / 007213236

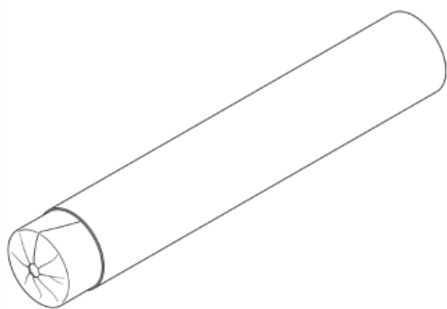
[51] Cl. 27-99

[54] 氣霧產生裝置

Aerosol generating device

[73] Philip Morris Products S.A.  
Quai Jeanrenaud 3,  
CH-2000 Neuchâtel,  
Switzerland

[74] CLT PATENT & TRADEMARK (H.K.) LIMITED  
Unit 09, 34/F., Office Tower, Convention Plaza,  
No. 1 Harbour Road,  
Wanchai, Hong Kong



---

[11] 2016129.5

[15] 11-05-2020

[30] 11-11-2019 / US / 29/712,698

[51] Cl. 28-03

[54] 化妝品施用器  
Cosmetic applicator

[73] ELC MANAGEMENT LLC  
155 Pinelawn Road, Suite 345 South,  
Melville, NY 11747,  
United States

[74] CHINA PATENT AGENT (HONG KONG) LIMITED  
22/F, Great Eagle Centre,  
23 Harbour Road,  
Wanchai, Hong Kong



[11] 2016139.6M001

[15] 13-05-2020

[30] 20-11-2019 / EU / 007264817-0001

[51] Cl. 24-02

[54] 用於母牛同步發情的陰道環

Vaginal ring for estrus synchronization in the cow

[73] Bayer Animal Health GmbH

Kaiser-Wilhelm-Allee 20,

51373 Leverkusen,

Germany

[74] DEACONS

5th Floor, Alexandra House,

Central,

Hong Kong



---

[11] 2016139.6M002

[15] 13-05-2020

[30] 20-11-2019 / EU / 007264817-0002

[51] Cl. 24-02

[54] 用於母牛同步發情的陰道環

Vaginal ring for estrus synchronization in the cow

[73] Bayer Animal Health GmbH

Kaiser-Wilhelm-Allee 20,

51373 Leverkusen,

Germany

[74] DEACONS

5th Floor, Alexandra House,

Central,

Hong Kong





---

[11] 2016139.6M003

[15] 13-05-2020

[30] 20-11-2019 / EU / 007264817-0003

[51] Cl. 24-02

[54] 用於母牛同步發情的陰道環

Vaginal ring for estrus synchronization in the cow

[73] Bayer Animal Health GmbH  
Kaiser-Wilhelm-Allee 20,  
51373 Leverkusen,  
Germany

[74] DEACONS  
5th Floor, Alexandra House,  
Central,  
Hong Kong



[11] 2016139.6M004

[15] 13-05-2020

[30] 20-11-2019 / EU / 007264817-0004

[51] Cl. 24-02

[54] 用於母牛同步發情的陰道環

Vaginal ring for estrus synchronization in the cow

[73] Bayer Animal Health GmbH

Kaiser-Wilhelm-Allee 20,

51373 Leverkusen,

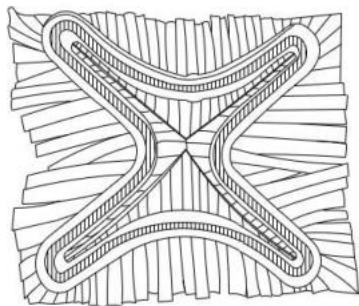
Germany

[74] DEACONS

5th Floor, Alexandra House,

Central,

Hong Kong



---

[11] 2016188.9M001

[15] 21-05-2020

[30] 25-11-2019 / US / 29/714,660

[51] Cl. 24-01

[54] 流動池盒

Flow cell cartridge

[73] ILLUMINA, INC.

5200 Illumina Way,

San Diego, CA 92122,

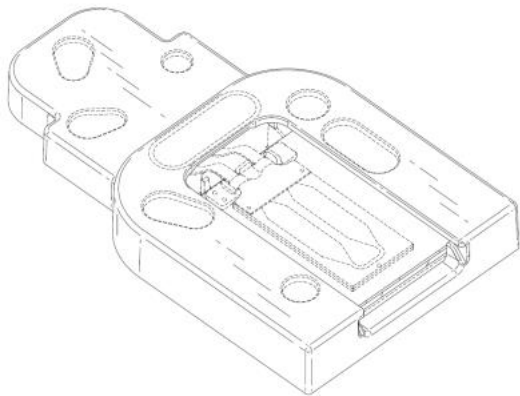
United States

[74] WILKINSON & GRIST

6th Floor, Prince's Building,

Chater Road,

Hong Kong



---

[11] 2016188.9M002

[15] 21-05-2020

[30] 25-11-2019 / US / 29/714,660

[51] Cl. 24-01

[54] 流動池盒

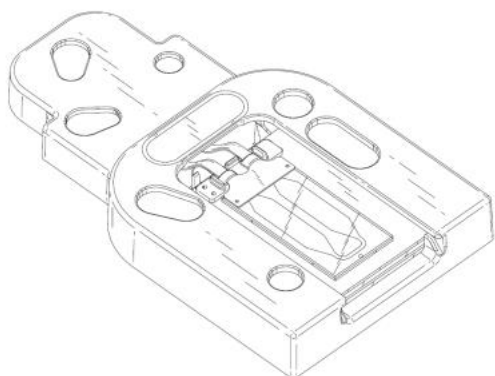
Flow cell cartridge

[73] ILLUMINA, INC.

5200 Illumina Way,  
San Diego, CA 92122,  
United States

[74] WILKINSON & GRIST

6th Floor, Prince's Building,  
Chater Road,  
Hong Kong



---

[11] 2016188.9M003

[15] 21-05-2020

[30] 25-11-2019 / US / 29/714,660

[51] Cl. 24-01

[54] 流動池盒

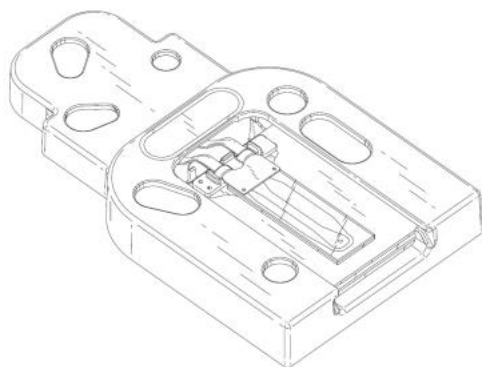
Flow cell cartridge

[73] ILLUMINA, INC.

5200 Illumina Way,  
San Diego, CA 92122,  
United States

[74] WILKINSON & GRIST

6th Floor, Prince's Building,  
Chater Road,  
Hong Kong



---

[11] 2016279.2

[15] 05-06-2020

[30] 05-12-2019 / US / 29/715,963

[51] C1. 9-01

[54] 化妝品瓶

Cosmetic bottle

[73] ELC MANAGEMENT LLC

155 Pinelawn Road, Suite 345 South,  
Melville, NY 11747,  
United States

[74] CHINA PATENT AGENT (HONG KONG) LIMITED

22/F, Great Eagle Centre,  
23 Harbour Road,  
Wanchai, Hong Kong



---

[11] 2016280.4

[15] 05-06-2020

[30] 05-12-2019 / US / 29/715,975

[51] Cl. 9-01

[54] 化妝品瓶

Cosmetic bottle

[73] ELC MANAGEMENT LLC

155 Pinelawn Road,

Suite 345 South, Melville, NY 11747,

United States

[74] CHINA PATENT AGENT (HONG KONG) LIMITED

22/F, Great Eagle Centre,

23 Harbour Road,

Wanchai, Hong Kong



- [11] 2016284.2  
[15] 05-06-2020  
[51] Cl. 24-03  
[54] 永生花加濕器  
Preserved flower humidifier  
[73] 陳美樺  
Chan Mei Wah  
香港九龍  
石硤尾邨  
美如樓 1704 室  
[74] 陳美樺  
香港九龍  
石硤尾邨  
美如樓 1704 室

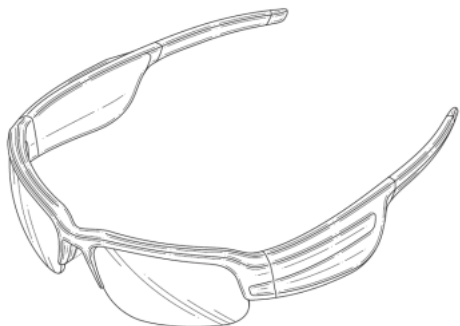


- 
- [11] 2016322.4  
[15] 12-06-2020  
[51] Cl. 21-01  
[54] 狐狸布偶  
Fox puppet  
[73] 彭麗霞  
Pang Lai Har January  
香港新界  
葵涌梨木樹邨  
健樹樓 709 室  
[74] 彭麗霞  
香港新界

葵涌梨木樹邨  
健樹樓 709 室



- 
- [11] 2016344.0M001  
[15] 17-06-2020  
[30] 20-12-2019 / US / 29/718,137  
[51] Cl. 14-01  
[54] 眼鏡連音響裝置  
Eyeglasses with audio device  
[73] Bose Corporation  
The Mountain, MS 3B1,  
Framingham, Massachusetts 01701-9168,  
United States  
[74] WENPING PATENT & TRADE MARK AGENT LIMITED  
1701 Tung Wai Commercial Building,  
111 Gloucester Road,  
Hong Kong



- 
- [11] 2016344.0M002

[15] 17-06-2020

[30] 20-12-2019 / US / 29/718,143

[51] Cl. 14-01

[54] 眼鏡連音響裝置

Eyeglasses with audio device

[73] Bose Corporation

The Mountain, MS 3B1,

Framingham, Massachusetts 01701-9168,

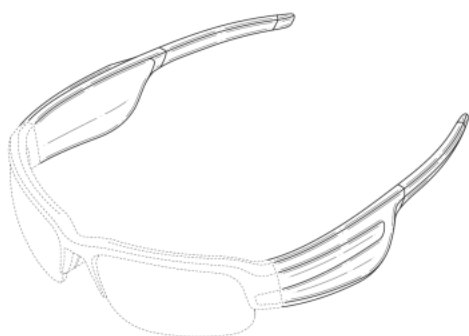
United States

[74] WENPING PATENT & TRADE MARK AGENT LIMITED

1701 Tung Wai Commercial Building,

111 Gloucester Road,

Hong Kong



---

[11] 2016422.6M001

[15] 30-06-2020

[30] 10-01-2020 / US / 29/720,277

[51] Cl. 14-04

[54] 帶有動態圖形用戶界面的顯示屏或顯示屏的一部分

Display screen or portion thereof with animated graphical user interface

[73] ILLUMINA, INC.

5200 Illumina Way,

San Diego, CA 92122,

United States

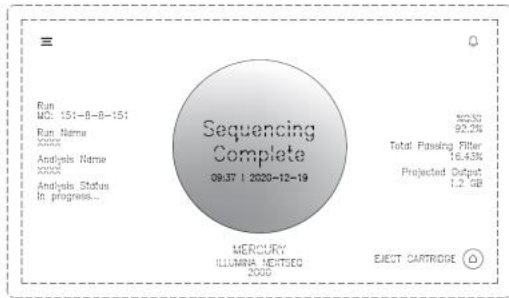
[74] WILKINSON & GRIST

6th Floor, Prince's Building,

Chater Road,

Hong Kong





[11] 2016422.6M002

[15] 30-06-2020

[30] 10-01-2020 / US / 29/720,277

[51] Cl. 14-04

[54] 帶有動態圖形用戶界面的顯示屏或顯示屏的一部分

Display screen or portion thereof with animated graphical user interface

[73] ILLUMINA, INC.

5200 Illumina Way,  
San Diego, CA 92122,  
United States

[74] WILKINSON & GRIST

6th Floor, Prince's Building,  
Chater Road,  
Hong Kong



[11] 2016422.6M003

[15] 30-06-2020

[30] 10-01-2020 / US / 29/720,277

[51] Cl. 14-04

[54] 帶有動態圖形用戶界面的顯示屏或顯示屏的一部分

Display screen or portion thereof with animated graphical user interface

[73] ILLUMINA, INC.  
5200 Illumina Way,  
San Diego, CA 92122,  
United States

[74] WILKINSON & GRIST  
6th Floor, Prince's Building,  
Chater Road,  
Hong Kong



---

[11] 2016432.7

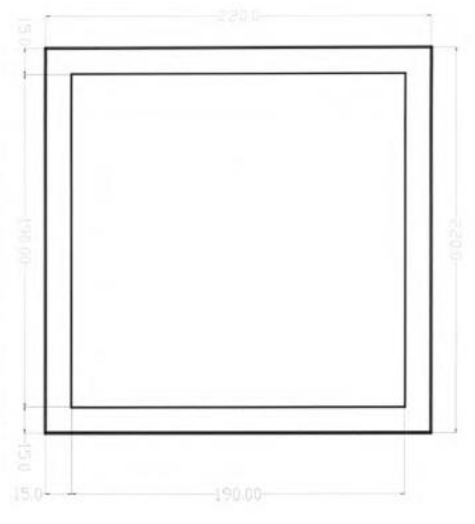
[15] 03-07-2020

[51] Cl. 6-07

[54] 相框  
Photo frame

[73] Corex Corporation Limited  
Unit 1503, 15/F, Yen Sheng Centre,  
No. 64, Hoi Yuen Road,  
Kwun Tong, Kowloon, Hong Kong

[74] Corex Corporation Limited  
Unit 1503, 15/F, Yen Sheng Centre,  
No. 64, Hoi Yuen Road,  
Kwun Tong, Kowloon, Hong Kong



[11] 2016479.6

[15] 13-07-2020

[30] 15-01-2020 / FR / 2020-0238

[51] Cl. 3-01

[54] 袋

Bag

[73] LOUIS VUITTON MALLETIER

2 rue du Pont-Neuf,

75001 Paris,

France

[74] BAKER & MCKENZIE

14th Floor, One Taikoo Place,

979 King's Road,

Quarry Bay, Hong Kong



---

[11] 2016481.0

[15] 13-07-2020

[30] 15-01-2020 / FR / 2020-0220

[51] Cl. 3-01

[54] 袋

Bag

[73] LOUIS VUITTON MALLETIER

2 rue du Pont-Neuf,

75001 Paris,

France

[74] BAKER & MCKENZIE

14th Floor, One Taikoo Place,

979 King's Road,  
Quarry Bay, Hong Kong



---

[11] 2016483.4

[15] 13-07-2020

[30] 15-01-2020 / FR / 2020-0244

[51] Cl. 3-01

[54] 袋

Bag

[73] LOUIS VUITTON MALLETIER

2 rue du Pont-Neuf,

75001 Paris,

France

[74] BAKER & MCKENZIE

14th Floor, One Taikoo Place,

979 King's Road,

Quarry Bay, Hong Kong



- [11] 2016485.9  
[15] 13-07-2020  
[30] 15-01-2020 / FR / 2020-0222  
[51] Cl. 3-01  
[54] 袋  
Bag  
[73] LOUIS VUITTON MALLETIER  
2 rue du Pont-Neuf,  
75001 Paris,  
France  
[74] BAKER & MCKENZIE  
14th Floor, One Taikoo Place,  
979 King's Road,  
Quarry Bay, Hong Kong



- 
- [11] 2016582.5M001  
[15] 30-07-2020  
[30] 03-02-2020 / DE / 40 2020 100 105.8  
[51] Cl. 12-08  
[54] 汽車  
Motor vehicle  
[73] VOLKSWAGEN AKTIENGESELLSCHAFT  
Berliner Ring 2,  
38440 Wolfsburg,  
Germany  
[74] CHINA PATENT AGENT (HONG KONG) LIMITED  
22/F, Great Eagle Centre,  
23 Harbour Road,  
Wanchai, Hong Kong



---

[11] 2016582.5M002

[15] 30-07-2020

[30] 03-02-2020 / DE / 40 2020 100 105.8

[51] Cl. 12-08

[54] 汽車

Motor vehicle

[73] VOLKSWAGEN AKTIENGESELLSCHAFT

Berliner Ring 2,

38440 Wolfsburg,

Germany

[74] CHINA PATENT AGENT (HONG KONG) LIMITED

22/F, Great Eagle Centre,

23 Harbour Road,

Wanchai, Hong Kong



---

[11] 2016582.5M003

[15] 30-07-2020

[30] 03-02-2020 / DE / 40 2020 100 105.8

[51] Cl. 12-08

[54] 汽車

Motor vehicle

[73] VOLKSWAGEN AKTIENGESELLSCHAFT

Berliner Ring 2,

38440 Wolfsburg,

Germany

[74] CHINA PATENT AGENT (HONG KONG) LIMITED

22/F, Great Eagle Centre,

23 Harbour Road,  
Wanchai, Hong Kong



---

[11] 2016588.8M001

[15] 31-07-2020

[30] 31-01-2020 / US / 29/722,787

[51] Cl. 14-03

Cl. 14-02

Cl. 14-01

[54] 電子裝置

Electronic device

[73] 蘋果公司

APPLE INC.

One Apple Park Way, Cupertino,

California 95014, U.S.A.

United States

[74] CLT PATENT & TRADEMARK (H.K.) LIMITED

Unit 09, 34/F., Office Tower, Convention Plaza,

No. 1 Harbour Road,

Wanchai, Hong Kong



---

[11] 2016588.8M002

[15] 31-07-2020

[30] 31-01-2020 / US / 29/722,787

- [51] Cl. 14-03  
Cl. 14-02  
Cl. 14-01
- [54] 電子裝置  
Electronic device
- [73] 蘋果公司  
APPLE INC.  
One Apple Park Way, Cupertino,  
California 95014, U.S.A.  
United States
- [74] CLT PATENT & TRADEMARK (H.K.) LIMITED  
Unit 09, 34/F., Office Tower, Convention Plaza,  
No. 1 Harbour Road,  
Wanchai, Hong Kong



- 
- [11] 2016588.8M003
- [15] 31-07-2020
- [30] 31-01-2020 / US / 29/722,787
- [51] Cl. 14-03  
Cl. 14-02  
Cl. 14-01
- [54] 電子裝置  
Electronic device
- [73] 蘋果公司  
APPLE INC.  
One Apple Park Way, Cupertino,  
California 95014, U.S.A.  
United States
- [74] CLT PATENT & TRADEMARK (H.K.) LIMITED  
Unit 09, 34/F., Office Tower, Convention Plaza,  
No. 1 Harbour Road,  
Wanchai, Hong Kong





---

[11] 2016588.8M004

[15] 31-07-2020

[30] 31-01-2020 / US / 29/722,787

[51] Cl. 14-03

Cl. 14-02

Cl. 14-01

[54] 電子裝置

Electronic device

[73] 蘋果公司

APPLE INC.

One Apple Park Way, Cupertino,

California 95014, U.S.A.

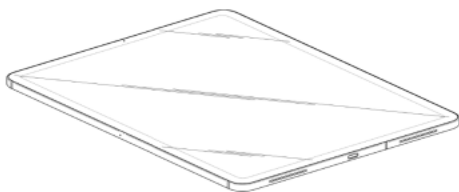
United States

[74] CLT PATENT & TRADEMARK (H.K.) LIMITED

Unit 09, 34/F., Office Tower, Convention Plaza,

No. 1 Harbour Road,

Wanchai, Hong Kong



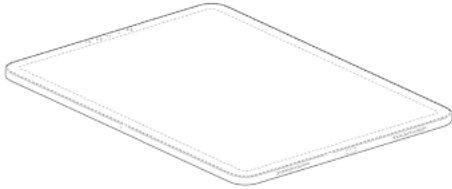
---

[11] 2016588.8M005

[15] 31-07-2020

[30] 31-01-2020 / US / 29/722,787

- [51] Cl. 14-03  
Cl. 14-02  
Cl. 14-01
- [54] 電子裝置  
Electronic device
- [73] 蘋果公司  
APPLE INC.  
One Apple Park Way, Cupertino,  
California 95014, U.S.A.  
United States
- [74] CLT PATENT & TRADEMARK (H.K.) LIMITED  
Unit 09, 34/F., Office Tower, Convention Plaza,  
No. 1 Harbour Road,  
Wanchai, Hong Kong



- 
- [11] 2016588.8M006
- [15] 31-07-2020
- [30] 31-01-2020 / US / 29/722,787
- [51] Cl. 14-03  
Cl. 14-02  
Cl. 14-01
- [54] 電子裝置  
Electronic device
- [73] 蘋果公司  
APPLE INC.  
One Apple Park Way, Cupertino,  
California 95014, U.S.A.  
United States
- [74] CLT PATENT & TRADEMARK (H.K.) LIMITED  
Unit 09, 34/F., Office Tower, Convention Plaza,  
No. 1 Harbour Road,  
Wanchai, Hong Kong



---

[11] 2016588.8M007

[15] 31-07-2020

[30] 31-01-2020 / US / 29/722,787

[51] Cl. 14-03

Cl. 14-02

Cl. 14-01

[54] 電子裝置

Electronic device

[73] 蘋果公司

APPLE INC.

One Apple Park Way, Cupertino,

California 95014, U.S.A.

United States

[74] CLT PATENT & TRADEMARK (H.K.) LIMITED

Unit 09, 34/F., Office Tower, Convention Plaza,

No. 1 Harbour Road,

Wanchai, Hong Kong

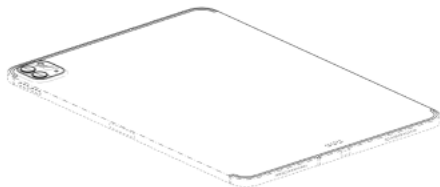


- [11] 2016588.8M008
- [15] 31-07-2020
- [30] 31-01-2020 / US / 29/722,787
- [51] Cl. 14-03  
Cl. 14-02  
Cl. 14-01
- [54] 電子裝置  
Electronic device
- [73] 蘋果公司  
APPLE INC.  
One Apple Park Way, Cupertino,  
California 95014, U.S.A.  
United States
- [74] CLT PATENT & TRADEMARK (H.K.) LIMITED  
Unit 09, 34/F., Office Tower, Convention Plaza,  
No. 1 Harbour Road,  
Wanchai, Hong Kong



- 
- [11] 2016588.8M009
- [15] 31-07-2020
- [30] 31-01-2020 / US / 29/722,787
- [51] Cl. 14-03  
Cl. 14-02  
Cl. 14-01
- [54] 電子裝置  
Electronic device
- [73] 蘋果公司  
APPLE INC.  
One Apple Park Way, Cupertino,  
California 95014, U.S.A.  
United States

[74] CLT PATENT & TRADEMARK (H.K.) LIMITED  
Unit 09, 34/F., Office Tower, Convention Plaza,  
No. 1 Harbour Road,  
Wanchai, Hong Kong



---

[11] 2016588.8M010

[15] 31-07-2020

[30] 31-01-2020 / US / 29/722,787

[51] Cl. 14-03

Cl. 14-02

Cl. 14-01

[54] 電子裝置  
Electronic device

[73] 蘋果公司  
APPLE INC.  
One Apple Park Way, Cupertino,  
California 95014, U.S.A.  
United States

[74] CLT PATENT & TRADEMARK (H.K.) LIMITED  
Unit 09, 34/F., Office Tower, Convention Plaza,  
No. 1 Harbour Road,  
Wanchai, Hong Kong



[11] 2016588.8M011

[15] 31-07-2020

[30] 31-01-2020 / US / 29/722,787

[51] Cl. 14-03

Cl. 14-02

Cl. 14-01

[54] 電子裝置

Electronic device

[73] 蘋果公司

APPLE INC.

One Apple Park Way, Cupertino,

California 95014, U.S.A.

United States

[74] CLT PATENT & TRADEMARK (H.K.) LIMITED

Unit 09, 34/F., Office Tower, Convention Plaza,

No. 1 Harbour Road,

Wanchai, Hong Kong



[11] 2016588.8M012

[15] 31-07-2020

[30] 17-03-2020 / US / 29/728,327

[51] Cl. 14-03

Cl. 14-02

Cl. 14-01

[54] 電子裝置

Electronic device

[73] 蘋果公司

APPLE INC.

One Apple Park Way, Cupertino,

California 95014, U.S.A.  
United States

[74] CLT PATENT & TRADEMARK (H.K.) LIMITED  
Unit 09, 34/F., Office Tower, Convention Plaza,  
No. 1 Harbour Road,  
Wanchai, Hong Kong



---

[11] 2016588.8M013

[15] 31-07-2020

[30] 17-03-2020 / US / 29/728,327

[51] Cl. 14-03

Cl. 14-02

Cl. 14-01

[54] 電子裝置  
Electronic device

[73] 蘋果公司  
APPLE INC.  
One Apple Park Way, Cupertino,  
California 95014, U.S.A.  
United States

[74] CLT PATENT & TRADEMARK (H.K.) LIMITED  
Unit 09, 34/F., Office Tower, Convention Plaza,  
No. 1 Harbour Road,  
Wanchai, Hong Kong







香港特別行政區政府知識產權署外觀設計註冊處

The Government of the Hong Kong Special Administrative Region

Designs Registry, Intellectual Property Department

根據註冊外觀設計條例第 28 條，下列註冊外觀設計因未繳續期費而停止有效。

各組記項按註冊外觀設計停止有效日期及註冊編號先後次序排列。

**Registered designs ceased through non-payment of renewal fees under section 28 of the Registered Designs Ordinance. Entries are listed below under their expiry dates.**

**24-09-2020 - 29-09-2020**

<b>24-09-2020</b>	1001744.0M009	1001767.9
1001742.6	1001744.0M010	1001768.1M001
1502110.2	1001744.0M011	1001768.1M002
1502112.6M001	1001744.0M013	1001769.3
1502112.6M002	1001744.0M014	1001770.5M001
1502112.6M003	1001747.7	1001770.5M002
1502112.6M004		1001770.5M003
1502112.6M005	<b>27-09-2020</b>	1001770.5M004
1502118.9M001	0502316.7M001	1001770.5M005
1502118.9M002	0502316.7M002	1502125.4
1502118.9M003	0502316.7M003	1502126.6
1502118.9M004	0502316.7M004	1502127.8M001
1502119.1	0502316.7M005	1502127.8M002
	0502316.7M006	1502127.8M003
<b>25-09-2020</b>	1001751.5	1502127.8M004
0502247.0	1001753.9M002	1502127.8M005
0502249.4	1001753.9M003	1502127.8M006
0502250.6	1001753.9M004	1502127.8M007
0502254.4M007	1001753.9M008	1502127.8M008
0502254.4M008	1001753.9M009	
	1001758.0M002	<b>29-09-2020</b>
<b>26-09-2020</b>	1001758.0M003	1001774.3M001
0502304.1	1001758.0M004	1001774.3M002
0502305.4	1001758.0M007	1001775.6
0502671.9	1001758.0M009	1001783.2M004
1001743.8	1001758.0M010	1001783.2M006
1001744.0M001	1001764.2	1001783.2M008
1001744.0M002		1502132.8M001
1001744.0M003	<b>28-09-2020</b>	1502132.8M002
1001744.0M004	0011360.5	1502132.8M003
1001744.0M005	1001765.5M001	1502132.8M004
1001744.0M006	1001765.5M002	1502132.8M005
1001744.0M007	1001765.5M003	1502133.0M001
1001744.0M008	1001765.5M004	1502133.0M002

1502133.0M003  
1502133.0M004  
1502133.0M005  
1502134.2M001  
1502134.2M002  
1502134.2M003  
1502134.2M004  
1502134.2M005  
1502137.9  
1502138.1  
1502139.3  
1502140.5  
1502141.7  
1502142.9  
1502143.1  
1502145.6M001  
1502145.6M002  
1502145.6M003  
1502147.0M001  
1502147.0M002  
1600525.2  
1600526.4  
1600527.6  
1600528.8M001  
1600528.8M002  
1600528.8M003  
1600528.8M004  
1600529.0M001  
1600529.0M002  
1600529.0M003  
1600529.0M004  
1600530.2M001  
1600530.2M002  
1600530.2M003  
1600530.2M004



香港特別行政區政府知識產權署外觀設計註冊處

The Government of the Hong Kong Special Administrative Region

Designs Registry, Intellectual Property Department

根據註冊外觀設計規則第 31 條刪除的註冊外觀設計。各組記項按註冊外觀設計刪除日期及註冊編號先後次序排列。

**Registered designs removed under section 31 of the Registered Designs Rules. Entries are listed below under their removal dates.**

**13-11-2020 - 19-11-2020**

<b>13-11-2020</b>	1500764.6M004	1500772.3M017
1000532.0M001	1500764.6M005	1500772.3M018
1000532.0M002	1500764.6M006	1500772.3M019
1000533.2	1500764.6M007	1500772.3M020
1000534.4M001	1500764.6M008	1500772.3M021
1000534.4M002	1500764.6M009	1500772.3M022
1000535.7M001	1500764.6M010	1500772.3M023
1000535.7M003	1500764.6M011	1500772.3M024
1000535.7M004	1500764.6M012	1500772.3M025
1000535.7M005	1500764.6M013	
1000535.7M006	1500764.6M014	<b>17-11-2020</b>
1000535.7M007	1500764.6M015	1000553.4
1500642.8M005	1500764.6M016	
1500746.9M001	1500764.6M017	<b>18-11-2020</b>
1500746.9M002	1500764.6M018	1000569.8
1500746.9M003	1500764.6M019	1000577.5
1500750.7		1500776.2M001
1500751.9	<b>15-11-2020</b>	1500776.2M002
	1500772.3M001	1500777.4M001
<b>14-11-2020</b>	1500772.3M002	1500777.4M002
1000539.5M001	1500772.3M003	1500778.6M001
1000539.5M002	1500772.3M004	1500779.8M001
1000539.5M003	1500772.3M005	1500779.8M002
1000539.5M004	1500772.3M006	1500779.8M003
1000543.3	1500772.3M007	1500780.0
1500753.3	1500772.3M008	1500781.2
1500754.5	1500772.3M009	
1500756.0	1500772.3M010	<b>19-11-2020</b>
1500757.2	1500772.3M011	0500623.6
1500758.4	1500772.3M012	1000582.5
1500759.6	1500772.3M013	1000583.7
1500764.6M001	1500772.3M014	1000597.7
1500764.6M002	1500772.3M015	1500782.4
1500764.6M003	1500772.3M016	1500783.6M001

1500785.1

1500797.6

1500804.2M003

1500804.2M004

1500804.2M005

1500804.2M006

1500804.2M008



香港特別行政區政府知識產權署外觀設計註冊處

The Government of the Hong Kong Special Administrative Region

Designs Registry, Intellectual Property Department

**根據註冊外觀設計條例第 67 及 76 條，更正註冊紀錄冊內及已提交文件中的錯誤**

**Correction of Errors in Register and in Filed Documents under sections 67 and 76 of the Registered Designs Ordinance**

下列在 29.05.2020 官方公報刊登的更正錯誤的請求已在 30.08.2020 獲准許

The following request for correction of error advertised in the official journal on 29.05.2020 was allowed on 30.08.2020

[11] 1801986.1

[73] CHIH-YUAN, HUANG

[11] 1801987.3

[73] CHIH-YUAN, HUANG