

香港知識產權公報

Hong Kong Intellectual Property Journal

2019 年 6 月 6 日

06 June 2019

目錄 Contents

根據註冊外觀設計條例第 25 條註冊的外觀設計

Designs Registered under section 25 of the Registered Designs Ordinance

按註冊編號排列

Arranged by Registration Number

根據註冊外觀設計條例(第 522 章)公布的其他公告

Other Notices Published under the Registered Designs Ordinance (Cap. 522)

根據註冊外觀設計條例第 28 條，註冊外觀設計因未繳續期費而停止有效

Registered designs ceased through non-payment of renewal fees under section 28 of the Registered Designs Ordinance

根據註冊外觀設計規則第 31 條刪除的註冊外觀設計

Registered Designs Removed under section 31 of the Registered Designs Rules

根據註冊外觀設計條例第 76 條，更正已提交文件中的錯誤

Correction of Errors in Filed Documents under section 76 of the Registered Designs Ordinance

以下事項沒有記錄

No Records for the Following Matters

根據註冊外觀設計條例第 30 條放棄的外觀設計的註冊

Surrender of Registration of Design under section 30 of the Registered Designs Ordinance

根據註冊外觀設計規則第 37 條，向處長作出轉介

Reference to Registrar under section 37 of the Registered Designs Rules

根據註冊外觀設計條例第 45 條，撤銷註冊

Revocation of Registration under section 45 of the Registered Designs Ordinance

根據註冊外觀設計規則第 46 條，向法院作出轉介

Reference to Court under section 46 of the Registered Designs Rules

根據註冊外觀設計規則第 63 條對不符合規定之處作出糾正

Rectification of Irregularities under section 63 of the Registered Designs Rules

根據註冊外觀設計條例第 66 條，糾正註冊紀錄冊

Rectification of Register under section 66 of the Registered Designs Ordinance

根據註冊外觀設計條例第 67 條，更正註冊紀錄冊內的錯誤

Correction of Errors in Register under section 67 of the Registered Designs Ordinance

根據註冊外觀設計條例第 67 及 76 條，更正註冊紀錄冊內及已提交文件中的錯誤

Correction of Errors in Register and in Filed Documents under sections
67 and 76 of the Registered Designs Ordinance

勘誤

Corrigendum

註冊外觀設計公告註釋

Notes on advertisements of registration of designs

方括號表示下列資料：

Square brackets indicate the following data：

[11] 註冊編號 Registration number / 聯合王國註冊編號 United Kingdom registration number

[15] 註冊日期 Registration date / 當作註冊日期 Deemed registration date / 聯合王國註冊日期 United Kingdom registration date

[17] 註冊有效期屆滿日期 Expiry date of the period of registration

[22] 提交日期 Filing date / 當作提交日期 Deemed filing date / 聯合王國提交日期 United Kingdom filing date

[30] 聲稱享有的優先權 (提交日期 / 巴黎公約國或世界貿易組織成員 / 申請編號) Priority claimed (filing date / Paris Convention country or WTO member / application number)

[51] 國際外觀設計分類號 (洛迦諾分類號) International Classification of designs (Locarno Classification)

[54] 物品 Article

[55] 外觀設計的表述 Representation of the design

[62] 分開前的申請編號及提交日期 Application number before division and filing date

[66] 過往註冊的聯繫外觀設計註冊編號 / 日期 Registration No. / Date of Previous Registration for Association

[72] 設計人 Designer

[73] 擁有人姓名和地址 Name and address of the owner

[74] 代理人 Agent / 送達地址 Address for service



香港特別行政區政府知識產權署外觀設計註冊處

The Government of the Hong Kong Special Administrative Region

Designs Registry, Intellectual Property Department

根據註冊外觀設計條例第 25 條註冊的外觀設計

Designs registered under section 25 of the Registered Designs Ordinance

按註冊編號排列

Arranged by Registration Number

[11] 1801514.1M001

[15] 26-07-2018

[51] Cl. 23-04

[54] 取暖換氣扇用面罩

Louver for a heating and ventilating fan

[73] 廣東松下環境系統有限公司

Panasonic Ecology Systems Guangdong Co., Ltd.

2 South Chaogui Road,

Shunde High-Tech Industrial Zone (Ronggui),

Foshan, Guangdong, P.R.China 528306, CHINA

[74] MARKS & CLERK

Level 9, Cyberport 1,

100 Cyberport Road,

Pok Fu Lam, Hong Kong.



[11] 1801514.1M002

[15] 26-07-2018

[51] Cl. 23-04

[54] 取暖換氣扇用面罩

Louver for a heating and ventilating fan

[73] 廣東松下環境系統有限公司

Panasonic Ecology Systems Guangdong Co., Ltd.

2 South Chaogui Road, Shunde High-Tech Industrial Zone

(Ronggui), Foshan, Guangdong, P.R.China 528306, CHINA

[74] MARKS & CLERK

Level 9, Cyberport 1, 100 Cyberport Road, Pok Fu Lam, Hong Kong.



[11] 1801936.6M001

[15] 21-09-2018

[30] 21-03-2018 / MC, JP, LI, MA, NO, KR, SG, CH, TN, UA, TR, RU /
DM/100 391

21-03-2018 / EM / DM/100 391

[51] Cl. 10-07

[54] 手錶錶殼

Watch case

[73] BREITLING SA

Schlachthausstrasse 2,

CH-2540 Grenchen,

SWITZERLAND

[74] So Keung Yip & Sin, Solicitors & Notaries, Agents for Trade
Marks, Patents & Designs
1009-1012, 10/F, Nan Fung Tower,
173 Des Voeux Road, Central,
Hong Kong.



[11] 1801936.6M002

[15] 21-09-2018

[30] 21-03-2018 / EM / DM/100 391

21-03-2018 / MC, JP, LI, MA, NO, KR, SG, CH, TN, UA, TR, RU /
DM/100 391

[51] Cl. 10-07

[54] 手錶錶盤

Watch dial

[73] BREITLING SA

Schlachthausstrasse 2, CH-2540 Grenchen, SWITZERLAND

[74] So Keung Yip & Sin, Solicitors & Notaries, Agents for Trade
Marks, Patents & Designs

1009-1012, 10/F, Nan Fung Tower, 173 Des Voeux Road, Central,
Hong Kong.



[11] 1801936.6M003

[15] 21-09-2018

[30] 21-03-2018 / EM / DM/100 391

21-03-2018 / MC, JP, LI, MA, NO, KR, SG, CH, TN, UA, TR, RU /
DM/100 391

[51] Cl. 10-07

[54] 手錶錶殼

Watch case

[73] BREITLING SA

Schlachthausstrasse 2, CH-2540 Grenchen, SWITZERLAND

[74] So Keung Yip & Sin, Solicitors & Notaries, Agents for Trade
Marks, Patents & Designs

1009-1012, 10/F, Nan Fung Tower, 173 Des Voeux Road, Central,
Hong Kong.



[11] 1801936.6M004

[15] 21-09-2018

[30] 21-03-2018 / EM / DM/100 391

21-03-2018 / MC, JP, LI, MA, NO, KR, SG, CH, TN, UA, TR, RU /
DM/100 391

[51] Cl. 10-07

[54] 手錶錶盤

Watch dial

[73] BREITLING SA

Schlachthausstrasse 2, CH-2540 Grenchen, SWITZERLAND

[74] So Keung Yip & Sin, Solicitors & Notaries, Agents for Trade
Marks, Patents & Designs

1009-1012, 10/F, Nan Fung Tower, 173 Des Voeux Road, Central,
Hong Kong.



[11] 1801936.6M005

[15] 21-09-2018

[30] 21-03-2018 / EM / DM/100 391

21-03-2018 / MC, JP, LI, MA, NO, KR, SG, CH, TN, UA, TR, RU /
DM/100 391

[51] Cl. 10-07

[54] 手錶錶盤

Watch dial

[73] BREITLING SA

Schlachthausstrasse 2, CH-2540 Grenchen, SWITZERLAND

[74] So Keung Yip & Sin, Solicitors & Notaries, Agents for Trade
Marks, Patents & Designs

1009-1012, 10/F, Nan Fung Tower, 173 Des Voeux Road, Central,
Hong Kong.



[11] 1801936.6M006

[15] 21-09-2018

[30] 21-03-2018 / EM / DM/100 391

21-03-2018 / MC, JP, LI, MA, NO, KR, SG, CH, TN, UA, TR, RU /
DM/100 391

[51] Cl. 10-07

[54] 手錶錶殼

Watch case

[73] BREITLING SA

Schlachthausstrasse 2, CH-2540 Grenchen, SWITZERLAND

[74] So Keung Yip & Sin, Solicitors & Notaries, Agents for Trade
Marks, Patents & Designs

1009-1012, 10/F, Nan Fung Tower, 173 Des Voeux Road, Central,
Hong Kong.



[11] 1801936.6M007

[15] 21-09-2018

[30] 21-03-2018 / EM / DM/100 391

21-03-2018 / MC, JP, LI, MA, NO, KR, SG, CH, TN, UA, TR, RU /
DM/100 391

[51] Cl. 10-07

[54] 手錶錶殼

Watch case

[73] BREITLING SA

Schlachthausstrasse 2, CH-2540 Grenchen, SWITZERLAND

[74] So Keung Yip & Sin, Solicitors & Notaries, Agents for Trade
Marks, Patents & Designs

1009-1012, 10/F, Nan Fung Tower, 173 Des Voeux Road, Central,
Hong Kong.



[11] 1801936.6M008

[15] 21-09-2018

[30] 21-03-2018 / EM / DM/100 391

21-03-2018 / MC, JP, LI, MA, NO, KR, SG, CH, TN, UA, TR, RU /
DM/100 391

[51] Cl. 10-07

[54] 手錶錶盤

Watch dial

[73] BREITLING SA

Schlachthausstrasse 2, CH-2540 Grenchen, SWITZERLAND

[74] So Keung Yip & Sin, Solicitors & Notaries, Agents for Trade
Marks, Patents & Designs

1009-1012, 10/F, Nan Fung Tower, 173 Des Voeux Road, Central,
Hong Kong.



[11] 1801936.6M009

[15] 21-09-2018

[30] 21-03-2018 / EM / DM/100 391

21-03-2018 / MC, JP, LI, MA, NO, KR, SG, CH, TN, UA, TR, RU /
DM/100 391

[51] Cl. 10-07

[54] 手錶錶殼

Watch case

[73] BREITLING SA

Schlachthausstrasse 2, CH-2540 Grenchen, SWITZERLAND

[74] So Keung Yip & Sin, Solicitors & Notaries, Agents for Trade
Marks, Patents & Designs

1009-1012, 10/F, Nan Fung Tower, 173 Des Voeux Road, Central,
Hong Kong.



[11] 1801936.6M010

[15] 21-09-2018

[30] 21-03-2018 / EM / DM/100 391

21-03-2018 / MC, JP, LI, MA, NO, KR, SG, CH, TN, UA, TR, RU /
DM/100 391

[51] Cl. 10-07

[54] 手錶錶殼

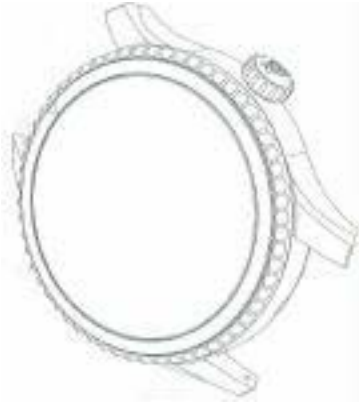
Watch case

[73] BREITLING SA

Schlachthausstrasse 2, CH-2540 Grenchen, SWITZERLAND

[74] So Keung Yip & Sin, Solicitors & Notaries, Agents for Trade
Marks, Patents & Designs

1009-1012, 10/F, Nan Fung Tower, 173 Des Voeux Road, Central,
Hong Kong.



[11] 1801936.6M011

[15] 21-09-2018

[30] 21-03-2018 / EM / DM/100 391

21-03-2018 / MC, JP, LI, MA, NO, KR, SG, CH, TN, UA, TR, RU /
DM/100 391

[51] Cl. 10-07

[54] 手錶錶盤

Watch dial

[73] BREITLING SA

Schlachthausstrasse 2, CH-2540 Grenchen, SWITZERLAND

[74] So Keung Yip & Sin, Solicitors & Notaries, Agents for Trade
Marks, Patents & Designs

1009-1012, 10/F, Nan Fung Tower, 173 Des Voeux Road, Central,
Hong Kong.



[11] 1801936.6M012

[15] 21-09-2018

[30] 21-03-2018 / EM / DM/100 391

21-03-2018 / MC, JP, LI, MA, NO, KR, SG, CH, TN, UA, TR, RU /
DM/100 391

[51] Cl. 10-07

[54] 手錶錶殼

Watch case

[73] BREITLING SA

Schlachthausstrasse 2, CH-2540 Grenchen, SWITZERLAND

[74] So Keung Yip & Sin, Solicitors & Notaries, Agents for Trade
Marks, Patents & Designs

1009-1012, 10/F, Nan Fung Tower, 173 Des Voeux Road, Central,
Hong Kong.



[11] 1801936.6M013

[15] 21-09-2018

[30] 21-03-2018 / EM / DM/100 391

21-03-2018 / MC, JP, LI, MA, NO, KR, SG, CH, TN, UA, TR, RU /
DM/100 391

[51] Cl. 10-07

[54] 手錶錶盤

Watch dial

[73] BREITLING SA

Schlachthausstrasse 2, CH-2540 Grenchen, SWITZERLAND

[74] So Keung Yip & Sin, Solicitors & Notaries, Agents for Trade
Marks, Patents & Designs

1009-1012, 10/F, Nan Fung Tower, 173 Des Voeux Road, Central,
Hong Kong.



[11] 1801996.2

[15] 02-10-2018

[30] 04-04-2018 / EM / 005192515

[51] Cl. 7-02

[54] 飲品製造器

Beverage maker

[73] Alex Gort-Barten

County Oak Way, Crawley,

West Sussex, RH11 7ST,

UNITED KINGDOM

Hotel Chocolat Limited

Mint House,

Royston, SG8 5HL,

UNITED KINGDOM

[74] HASTINGS & CO.

5th Floor, Gloucester Tower,

The Landmark, 11 Pedder Street,

Central, Hong Kong.



[11] 1802038.2

[15] 10-10-2018

[30] 20-07-2018 / US / 29/657,362

[51] Cl. 21-01

[54] 玩具三叉戟

Toy trident

[73] DC Comics

2900 West Alameda Avenue,

Burbank, CA, 91505,

UNITED STATES

[74] Deacons

5th Floor,

Alexandra House,

Central, Hong Kong.



[11] 1802042.0M001

[15] 11-10-2018

[30] 27-07-2018 / CN / 201830410393.2

[51] Cl. 17-05

[54] 音樂盒

Music box

[73] 維他奶國際集團有限公司

Vitasoy International Holdings Ltd.

香港新界 屯門建旺

街 1 號

[74] 萬慧達有限公司

香港干諾道西 121-122 號

確立達中心 902 室



[11] 1802042.0M002

[15] 11-10-2018

[30] 27-07-2018 / CN / 201830410393.2

[51] Cl. 17-05

[54] 音樂盒

Music box

[73] 維他奶國際集團有限公司

Vitasoy International Holdings Ltd.

香港新界 屯門建旺街 1 號

[74] 萬慧達有限公司

香港干諾道西 121-122 號 確立達中心 902 室



[11] 1802156.2M001

[15] 01-11-2018

[30] 03-07-2018 / CH / DM/102,327

03-07-2018 / EM / DM/102,327

[51] Cl. 7-02

[54] 烤架

Grill

[73] SOLIS OF SWITZERLAND AG

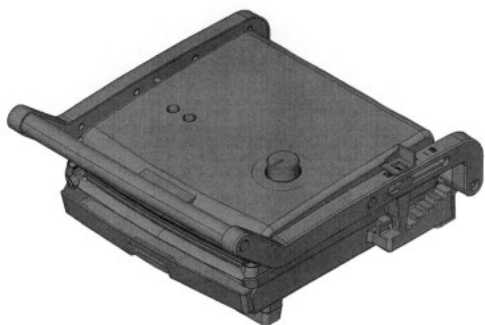
EUROPA-STRASSE 11 8152 GLATTBRUGG (CH)

[74] ZHONGZI IP

Room 3, 10/F, Yue Xiu Building,

160-174 Lockhart Road, Wanchai,

HONG KONG



[11] 1802156.2M002

[15] 01-11-2018

[30] 03-07-2018 / EM / DM/102,327

03-07-2018 / CH / DM/102,327

[51] Cl. 7-02

[54] 烤架

Grill

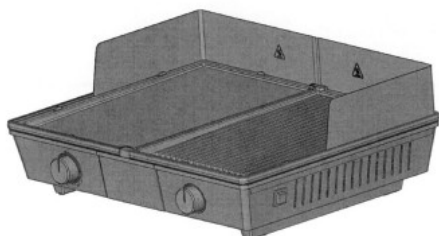
[73] SOLIS OF SWITZERLAND AG

EUROPA-STRASSE 11 8152 GLATTBRUGG (CH)

[74] ZHONGZI IP

Room 3, 10/F, Yue Xiu Building, 160-174 Lockhart Road,

Wanchai, HONG KONG



[11] 1802156.2M003

[15] 01-11-2018

[30] 03-07-2018 / EM / DM/102,327

03-07-2018 / CH / DM/102,327

[51] Cl. 7-02

[54] 烤架

Grill

[73] SOLIS OF SWITZERLAND AG

EUROPA-STRASSE 11 8152 GLATTBRUGG (CH)

[74] ZHONGZI IP

Room 3, 10/F, Yue Xiu Building, 160-174 Lockhart Road,

Wanchai, HONG KONG



[11] 1802199.2M001

[15] 08-11-2018

[30] 30-09-2018 / CN / 201830555689.3

[51] C1. 14-03

[54] 手機

Mobile phone

[73] 維沃移動通信有限公司

VIVO MOBILE COMMUNICATION CO., LTD.

中國內地廣東省 東莞市

長安鎮 烏沙步步高大道

283 號

[74] 中國專利代理(香港)有限公司

香港灣仔

港灣道 23 號

鷹君中心 22 字樓



[11] 1802199.2M002

[15] 08-11-2018

[30] 30-09-2018 / CN / 201830555689.3

[51] C1. 14-03

[54] 手機

Mobile phones

[73] 維沃移動通信有限公司
VIVO MOBILE COMMUNICATION CO., LTD.
中國內地廣東省 東莞市
長安鎮 烏沙步步高大道
283 號

[74] 中國專利代理(香港)有限公司
香港灣仔
港灣道 23 號
鷹君中心 22 字樓



[11] 1802200.6M001

[15] 08-11-2018

[30] 08-05-2018 / CN / 201830205088.X

[51] Cl. 9-01

[54] 瓶
Bottle

[73] Inner Mongolia Yili Industrial Group Co., Ltd.
No.1, Jinshan Road,
Jinshan Development Zone,
Hohhot, CHINA

[74] Deacons
5th Floor,
Alexandra House,
Central, Hong Kong.



[11] 1802200.6M002

[15] 08-11-2018

[30] 08-05-2018 / CN / 201830205439.7

[51] Cl. 9-03

[54] 包裝盒

Packaging box

[73] Inner Mongolia Yili Industrial Group Co., Ltd.

No.1, Jinshan Road,

Jinshan Development Zone,

Hohhot, CHINA

[74] Deacons

5th Floor,

Alexandra House,

Central, Hong Kong.



[11] 1802200.6M003

[15] 08-11-2018

[30] 09-05-2018 / CN / 201830207948.3

[51] Cl. 9-03

[54] 包裝盒

Packaging box

[73] Inner Mongolia Yili Industrial Group Co., Ltd.
No.1, Jinshan Road,
Jinshan Development Zone,
Hohhot, CHINA

[74] Deacons
5th Floor,
Alexandra House,
Central, Hong Kong.



[11] 1802200.6M004

[15] 08-11-2018

[30] 09-05-2018 / CN / 201830208736.7

[51] Cl. 9-03

[54] 紙盒

Carton

[73] Inner Mongolia Yili Industrial Group Co., Ltd.
No.1, Jinshan Road,
Jinshan Development Zone,
Hohhot, CHINA

[74] Deacons
5th Floor,
Alexandra House,
Central, Hong Kong.



[11] 1802205.7M001

[15] 09-11-2018

[51] Cl. 11-01

[54] 吊墜

Pendant

[73] 六福集團有限公司

Luk Fook Holdings Company Limited

Luk Fook Jewellery Centre,

No.239 Temple Street, Jordan,

Kowloon, Hong Kong

[74] Luk Fook Holdings Company Limited

Luk Fook Jewellery Centre,

No. 239 Temple Street, Jordan,

Kowloon, Hong Kong



[11] 1802205.7M002

[15] 09-11-2018

[51] Cl. 11-01

[54] 吊墜

Pendant

[73] 六福集團有限公司

Luk Fook Holdings Company Limited

Luk Fook Jewellery Centre,

No.239 Temple Street, Jordan,

Kowloon, Hong Kong

[74] Luk Fook Holdings Company Limited

Luk Fook Jewellery Centre,

No. 239 Temple Street, Jordan,

Kowloon, Hong Kong



[11] 1802205.7M003

[15] 09-11-2018

[51] Cl. 11-01

[54] 吊墜

Pendant

[73] 六福集團有限公司

Luk Fook Holdings Company Limited

Luk Fook Jewellery Centre,

No.239 Temple Street, Jordan,

Kowloon, Hong Kong

[74] Luk Fook Holdings Company Limited

Luk Fook Jewellery Centre,

No. 239 Temple Street, Jordan,

Kowloon, Hong Kong



[11] 1802205.7M004

[15] 09-11-2018

[51] Cl. 11-01

[54] 吊墜

Pendant

[73] 六福集團有限公司

Luk Fook Holdings Company Limited

Luk Fook Jewellery Centre,

No.239 Temple Street, Jordan,

Kowloon, Hong Kong

[74] Luk Fook Holdings Company Limited

Luk Fook Jewellery Centre,

No. 239 Temple Street, Jordan,

Kowloon, Hong Kong



[11] 1802205.7M005

[15] 09-11-2018

[51] Cl. 11-01

[54] 吊墜

Pendant

[73] 六福集團有限公司

Luk Fook Holdings Company Limited

Luk Fook Jewellery Centre,

No.239 Temple Street, Jordan,

Kowloon, Hong Kong

[74] Luk Fook Holdings Company Limited

Luk Fook Jewellery Centre,

No. 239 Temple Street, Jordan,

Kowloon, Hong Kong



[11] 1802205.7M006

[15] 09-11-2018

[51] Cl. 11-01

[54] 吊墜

Pendant

[73] 六福集團有限公司

Luk Fook Holdings Company Limited
Luk Fook Jewellery Centre,
No.239 Temple Street, Jordan,
Kowloon, Hong Kong

[74] Luk Fook Holdings Company Limited

Luk Fook Jewellery Centre,
No. 239 Temple Street, Jordan,
Kowloon, Hong Kong



[11] 1802205.7M007

[15] 09-11-2018

[51] Cl. 11-02

[54] 飾物

Ornament

[73] 六福集團有限公司

Luk Fook Holdings Company Limited

Luk Fook Jewellery Centre,

No.239 Temple Street, Jordan,

Kowloon, Hong Kong

[74] Luk Fook Holdings Company Limited

Luk Fook Jewellery Centre,

No. 239 Temple Street, Jordan,

Kowloon, Hong Kong



[11] 1802205.7M008

[15] 09-11-2018

[51] Cl. 11-02

[54] 飾物

Ornament

[73] 六福集團有限公司

Luk Fook Holdings Company Limited

Luk Fook Jewellery Centre,

No.239 Temple Street, Jordan,

Kowloon, Hong Kong

[74] Luk Fook Holdings Company Limited

Luk Fook Jewellery Centre,

No. 239 Temple Street, Jordan,

Kowloon, Hong Kong



[11] 1802205.7M009

[15] 09-11-2018

[51] Cl. 11-02

[54] 飾物

Ornament

[73] 六福集團有限公司

Luk Fook Holdings Company Limited

Luk Fook Jewellery Centre,

No.239 Temple Street, Jordan,

Kowloon, Hong Kong

[74] Luk Fook Holdings Company Limited

Luk Fook Jewellery Centre,

No. 239 Temple Street, Jordan,

Kowloon, Hong Kong



[11] 1802205.7M010

[15] 09-11-2018

[51] Cl. 11-02

[54] 飾物

Ornament

[73] 六福集團有限公司

Luk Fook Holdings Company Limited

Luk Fook Jewellery Centre,

No.239 Temple Street, Jordan,

Kowloon, Hong Kong

[74] Luk Fook Holdings Company Limited

Luk Fook Jewellery Centre,

No. 239 Temple Street, Jordan,

Kowloon, Hong Kong



[11] 1802205.7M011

[15] 09-11-2018

[51] Cl. 11-02

[54] 飾物

Ornament

[73] 六福集團有限公司

Luk Fook Holdings Company Limited

Luk Fook Jewellery Centre,

No.239 Temple Street, Jordan,

Kowloon, Hong Kong

[74] Luk Fook Holdings Company Limited

Luk Fook Jewellery Centre,

No. 239 Temple Street, Jordan,

Kowloon, Hong Kong



[11] 1802205.7M012

[15] 09-11-2018

[51] Cl. 11-02

[54] 飾物

Ornament

[73] 六福集團有限公司

Luk Fook Holdings Company Limited

Luk Fook Jewellery Centre,

No.239 Temple Street, Jordan,

Kowloon, Hong Kong

[74] Luk Fook Holdings Company Limited

Luk Fook Jewellery Centre,

No. 239 Temple Street, Jordan,

Kowloon, Hong Kong



[11] 1802214.5M001

- [15] 12-11-2018
- [30] 13-06-2018 / EM, AZ, MC, AL, AM, BZ, GE, BA, LI, MN, ME, MA, NO, OM, MD, SG, CH, TN, UA, TR, KG, MK / DM/101 738
- [51] Cl. 11-01
- [54] 指環
Ring
- [73] Harry Winston SA
Chemin du Tourbillon 8,
CH-1228 Plan-les-Ouates,
SWITZERLAND
- [74] Spruson & Ferguson (Hong Kong) Limited
5001 Hopewell Centre,
183 Queen's Road East,
Hong Kong.



-
- [11] 1802214.5M002
- [15] 12-11-2018
- [30] 13-06-2018 / EM, AZ, MC, AL, AM, BZ, GE, BA, LI, MN, ME, MA, NO, OM, MD, SG, CH, TN, UA, TR, KG, MK / DM/101 738
- [51] Cl. 11-01
- [54] 鏈條的小飾物
Charm
- [73] Harry Winston SA
Chemin du Tourbillon 8,
CH-1228 Plan-les-Ouates,
SWITZERLAND
- [74] Spruson & Ferguson (Hong Kong) Limited
5001 Hopewell Centre,
183 Queen's Road East,
Hong Kong.



[11] 1802214.5M003

[15] 12-11-2018

[30] 13-06-2018 / EM, AZ, MC, AL, AM, BZ, GE, BA, LI, MN, ME, MA,
NO, OM, MD, SG, CH, TN, UA, TR, KG, MK / DM/101 738

[51] Cl. 11-01

[54] 指環
Ring

[73] Harry Winston SA
Chemin du Tourbillon 8,
CH-1228 Plan-les-Ouates,
SWITZERLAND

[74] Spruson & Ferguson (Hong Kong) Limited
5001 Hopewell Centre,
183 Queen's Road East,
Hong Kong.



[11] 1802236.2M001

[15] 15-11-2018

[30] 05-06-2018 / EM, AL, MA, NO, OM, SG, CH, TN, UA, TR / DM/101
562

[51] Cl. 10-02

[54] 手錶
Wristwatch

[73] SWATCH AG (SWATCH SA) (SWATCH LTD.)
Jakob-Stämpfli-Strasse 94,
CH-2502 Biel/Bienne,
SWITZERLAND

[74] Spruson & Ferguson (Hong Kong) Limited
5001 Hopewell Centre,
183 Queen's Road East,
Hong Kong.



[11] 1802236.2M002

[15] 15-11-2018

[30] 05-06-2018 / EM, AL, MA, NO, OM, SG, CH, TN, UA, TR / DM/101
562

[51] Cl. 10-02

[54] 手錶

Wristwatch

[73] SWATCH AG (SWATCH SA) (SWATCH LTD.)
Jakob-Stämpfli-Strasse 94,
CH-2502 Biel/Bienne,
SWITZERLAND

[74] Spruson & Ferguson (Hong Kong) Limited
5001 Hopewell Centre,
183 Queen's Road East,
Hong Kong.



[11] 1802236.2M003

[15] 15-11-2018

[30] 05-06-2018 / EM, AL, MA, NO, OM, SG, CH, TN, UA, TR / DM/101
562

[51] Cl. 10-02

[54] 手錶

Wristwatch

[73] SWATCH AG (SWATCH SA) (SWATCH LTD.)

Jakob-Stämpfli-Strasse 94,

CH-2502 Biel/Bienne,

SWITZERLAND

[74] Spruson & Ferguson (Hong Kong) Limited

5001 Hopewell Centre,

183 Queen's Road East,

Hong Kong.



[11] 1802237.4M001

[15] 15-11-2018

[30] 05-06-2018 / EM, AL, MA, NO, OM, SG, CH, TN, UA, TR / DM/101
561

[51] Cl. 10-02

[54] 手錶

Wristwatch

[73] SWATCH AG (SWATCH SA) (SWATCH LTD.)

Jakob-Stämpfli-Strasse 94,

2502 Biel/Bienne,

SWITZERLAND

[74] Spruson & Ferguson (Hong Kong) Limited

5001 Hopewell Centre,

183 Queen's Road East,

Hong Kong.



[11] 1802237.4M002

[15] 15-11-2018

[30] 05-06-2018 / EM, AL, MA, NO, OM, SG, CH, TN, UA, TR / DM/101
561

[51] Cl. 10-02

[54] 手錶

Wristwatch

[73] SWATCH AG (SWATCH SA) (SWATCH LTD.)

Jakob-Stämpfli-Strasse 94,

2502 Biel/Bienne,

SWITZERLAND

[74] Spruson & Ferguson (Hong Kong) Limited

5001 Hopewell Centre,

183 Queen's Road East,

Hong Kong.



[11] 1802237.4M003

[15] 15-11-2018

[30] 05-06-2018 / EM, AL, MA, NO, OM, SG, CH, TN, UA, TR / DM/101
561

[51] Cl. 10-02

[54] 手錶

Wristwatch

[73] SWATCH AG (SWATCH SA) (SWATCH LTD.)

Jakob-Stämpfli-Strasse 94,
2502 Biel/Bienne,
SWITZERLAND

[74] Spruson & Ferguson (Hong Kong) Limited

5001 Hopewell Centre,
183 Queen's Road East,
Hong Kong.



[11] 1802237.4M004

[15] 15-11-2018

[30] 05-06-2018 / EM, AL, MA, NO, OM, SG, CH, TN, UA, TR / DM/101
561

[51] Cl. 10-02

[54] 手錶

Wristwatch

[73] SWATCH AG (SWATCH SA) (SWATCH LTD.)

Jakob-Stämpfli-Strasse 94,
2502 Biel/Bienne,
SWITZERLAND

[74] Spruson & Ferguson (Hong Kong) Limited

5001 Hopewell Centre,
183 Queen's Road East,
Hong Kong.



[11] 1802263.8

[15] 21-11-2018

[51] Cl. 28-03

[54] 化妝品組合物的浸漬構件

Impregnated member of cosmetic compositions

[73] Kolmar Korea Co., Ltd.

12-11, DEOKGOGAE-GIL,

JEONUI-MYEON, SEJONG-SI 30004,

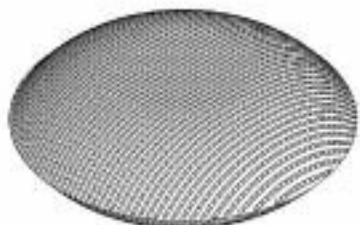
KOREA, REPUBLIC OF

[74] China Patent Agent (H.K.) Ltd.

22/F, Great Eagle Centre,

23 Harbour Road, Wanchai,

Hong Kong.



[11] 1802264.0

[15] 21-11-2018

[51] Cl. 28-03

[54] 化妝品組合物的浸漬構件

Impregnated member of cosmetic compositions

[73] Kolmar Korea Co., Ltd.

12-11, DEOKGOGAE-GIL,

JEONUI-MYEON, SEJONG-SI 30004,

KOREA, REPUBLIC OF

[74] China Patent Agent (H.K.) Ltd.

22/F, Great Eagle Centre,

23 Harbour Road, Wanchai,
Hong Kong.



[11] 1802265.3

[15] 21-11-2018

[51] Cl. 28-03

[54] 化妝品組合物的浸漬構件

Impregnated member of cosmetic compositions

[73] Kolmar Korea Co., Ltd.

12-11, DEOKGOGAE-GIL,

JEONUI-MYEON, SEJONG-SI 30004,

KOREA, REPUBLIC OF

[74] China Patent Agent (H.K.) Ltd.

22/F, Great Eagle Centre,

23 Harbour Road, Wanchai,

Hong Kong.



[11] 1802266.5

[15] 21-11-2018

[51] Cl. 28-03

[54] 化妝品組合物的浸漬構件

Impregnated member of cosmetic compositions

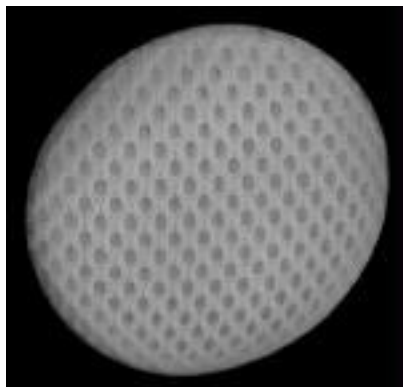
[73] Kolmar Korea Co., Ltd.

12-11, DEOKGOGAE-GIL,

JEONUI-MYEON, SEJONG-SI 30004,

KOREA, REPUBLIC OF

[74] China Patent Agent (H.K.) Ltd.
22/F, Great Eagle Centre,
23 Harbour Road, Wanchai,
Hong Kong.



[11] 1802268.9

[15] 21-11-2018

[51] Cl. 28-03

[54] 化妝品組合物的浸漬構件

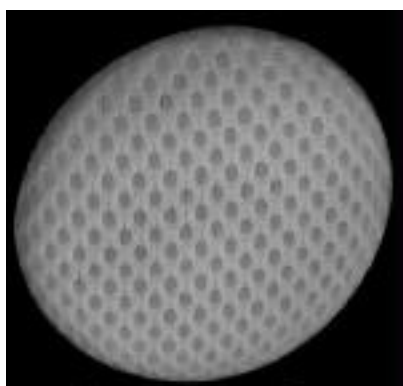
Impregnated member of cosmetic compositions

[73] Kolmar Korea Co., Ltd.

12-11, DEOKGOGAE-GIL,
JEONUI-MYEON, SEJONG-SI 30004,
KOREA, REPUBLIC OF

[74] China Patent Agent (H.K.) Ltd.

22/F, Great Eagle Centre,
23 Harbour Road, Wanchai,
Hong Kong.



[11] 1802269.1

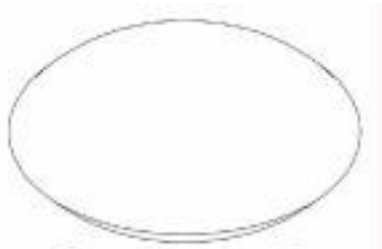
[15] 21-11-2018

[51] Cl. 28-03

[54] 化妝品組合物的浸漬構件
Impregnated member of cosmetic compositions

[73] Kolmar Korea Co., Ltd.
12-11, DEOKGOGAE-GIL,
JEONU-MYEON, SEJONG-SI 30004,
KOREA, REPUBLIC OF

[74] China Patent Agent (H.K.) Ltd.
22/F, Great Eagle Centre,
23 Harbour Road, Wanchai,
Hong Kong.



[11] 1802272.7

[15] 22-11-2018

[30] 27-06-2018 / JP / 014154 of 2018

[51] Cl. 21-01

[54] 遊戲機

Game device

[73] Kabushiki Kaisha Bandai (Bandai Co., Ltd.)
4-8, Komagata 1-chome,
Taito-ku, Tokyo,
JAPAN

Kabushiki Kaisha WiZ (WiZ Co., Ltd.)
3/F Kuramae Chiyoda Bldg.,
3-14-11 Kotobuki, Taito-ku,
Tokyo, JAPAN

[74] Simmons & Simmons
30th Floor, One Taikoo Place,
979 King's Road,
Hong Kong



[11] 1802274.1

[15] 22-11-2018

[51] Cl. 23-04

[54] 香薰機

Aroma diffuser

[73] Bloomy Lotus Ltd

Unit 4711, 47/F., The Center,

99 Queen's Road Central,

Central, Hong Kong

[74] FEDERATION OF HONG KONG INDUSTRIES

31/F, BILLION PLAZA,

8 CHEUNG YUE STREET,

CHEUNG SHA WAN , KOWLOON, HONG KONG



[11] 1802275.4

[15] 22-11-2018

[30] 23-05-2018 / KR / 30-2018-0023874

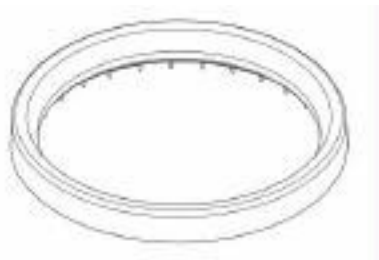
[51] Cl. 28-03

[54] 化妝品組合物浸漬構件的固定裝置

Fixing unit for impregnated member of cosmetic compositions

[73] Kolmar Korea Co., Ltd.
12-11, DEOKGOGAE-GIL,
JEONUI-MYEON, SEJONG-SI 30004,
KOREA, REPUBLIC OF

[74] China Patent Agent (H.K.) Ltd.
22/F, Great Eagle Centre,
23 Harbour Road, Wanchai,
Hong Kong.



[11] 1802276.6

[15] 22-11-2018

[30] 24-05-2018 / US / 29/648,925

[51] Cl. 14-99

[54] 可調節式座

Adjustable stand

[73] DaVinci II CSJ, LLC
79 Two Bridges Road,
Fairfield, New Jersey 07004,
UNITED STATES

[74] Spruson & Ferguson (Hong Kong) Limited
5001 Hopewell Centre,
183 Queen's Road East,
Hong Kong.



[11] 1802277.8

[15] 22-11-2018

[30] 15-10-2018 / JP / 022576 of 2018

[51] Cl. 28-03

[54] 吹風機

Hair dryer

[73] cado cuaura Co., Ltd.

1-18-21 Shimbashi,

Minato-ku, Tokyo,

Japan

[74] IPWELL INTERNATIONAL INTELLECTUAL PROPERTY COMPANY LIMITED

Unit 826, 8/F, Ocean Centre,

Harbour City, 5 Canton Road, TST,

Kowloon, Hong Kong.



[11] 1802278.0

[15] 22-11-2018

[51] Cl. 28-03

[54] 化妝品組合物的浸漬構件

Impregnated member of cosmetic compositions

[73] Kolmar Korea Co., Ltd.

12-11, DEOKGOGAE-GIL,

JEONUI-MYEON, SEJONG-SI 30004,

KOREA, REPUBLIC OF

[74] China Patent Agent (H.K.) Ltd.

22/F, Great Eagle Centre,

23 Harbour Road, Wanchai,

Hong Kong.



[11] 1802279.2

[15] 22-11-2018

[30] 23-05-2018 / KR / 30-2018-0023882

[51] Cl. 28-03

[54] 化妝品內部容器

Inner container for cosmetic

[73] Kolmar Korea Co., Ltd.

12-11, DEOKGOGAE-GIL,

JEONUI-MYEON, SEJONG-SI 30004,

KOREA, REPUBLIC OF

[74] China Patent Agent (H.K.) Ltd.

22/F, Great Eagle Centre,

23 Harbour Road, Wanchai,

Hong Kong.



[11] 1802280.4

[15] 22-11-2018

[30] 23-05-2018 / KR / 30-2018-0023878

[51] Cl. 28-03

[54] 化妝品外部容器

Outer container for cosmetic

[73] Kolmar Korea Co., Ltd.

12-11, DEOKGOGAE-GIL,

JEONUI-MYEON, SEJONG-SI 30004,

KOREA, REPUBLIC OF

[74] China Patent Agent (H.K.) Ltd.

22/F, Great Eagle Centre,

23 Harbour Road, Wanchai,

Hong Kong.



[11] 1802281.6

[15] 22-11-2018

[51] Cl. 9-09

[54] 垃圾桶

Garbage bin

[73] Li Shu Wah

Room B-32, 14/F,

Wong King Industrial Building,

2-4 Tai Yau Street, Hong Kong

[74] Accolade IP Limited

Room 702, 7/F.,

Fu Fai Commercial Centre,

27 Hillier Street, Hong Kong.



[11] 1802284.2

[15] 23-11-2018

[51] Cl. 13-02

[54] 移動電源

Power bank

[73] 深圳備倍電科技有限公司 中

國內地廣東省深圳市寶安區

石岩街道應人石社區創見一期

A 棟 5 樓、B 棟 4 樓

[74] 天標知識產權代理有限公司

香港九龍尖沙咀

加連威老道 14 號 加連威

大廈 4 樓 A 座



[11] 1802285.5

[15] 23-11-2018

[51] C1. 13-02

[54] 移動電源

Power bank

[73] 深圳備倍電科技有限公司 中

國內地廣東省深圳市寶安區

石岩街道應人石社區創見一期

A 棟 5 樓、B 棟 4 樓

[74] 天標知識產權代理有限公司

香港九龍尖沙咀

加連威老道 14 號 加連威

大廈 4 樓 A 座



[11] 1802286.7

[15] 23-11-2018

[51] C1. 13-02

[54] 移動電源

Power bank

[73] 深圳備倍電科技有限公司 中
國內地廣東省深圳市寶安區
石岩街道應人石社區創見一期
A 棟 5 樓、B 棟 4 樓

[74] 天標知識產權代理有限公司
香港九龍尖沙咀
加連威老道 14 號 加連威
大廈 4 樓 A 座



[11] 1802287.9M001

[15] 23-11-2018

[51] C1. 23-04

[54] 可攜式及可充電的手持風扇

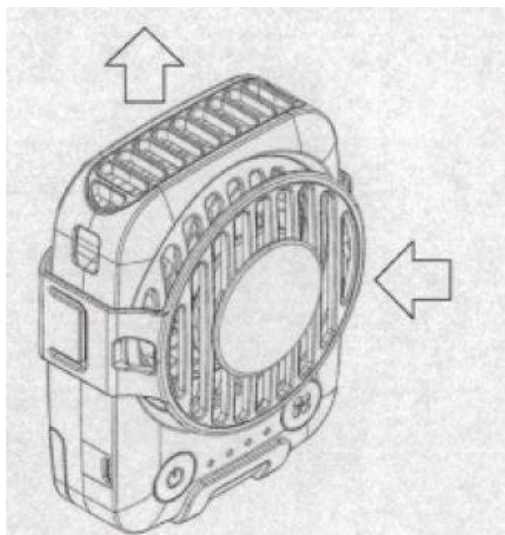
Portable and rechargeable handheld fan

[73] Ablesmart Creative Co., Limited

香港九龍 紅磡民裕街 41 號 凱旋工商中心 1 期 13 樓 C1 室

[74] Amy Kwong

香港九龍 紅磡民裕街 41 號 凱旋工商中心 1 期 13 樓 C1 室



[11] 1802287.9M002

[15] 23-11-2018

[51] Cl. 23-04

[54] 可攜式及可充電的手持風扇

Portable and rechargeable handheld fan

[73] Ablesmart Creative Co., Limited

香港九龍 紅磡民裕

街 41 號

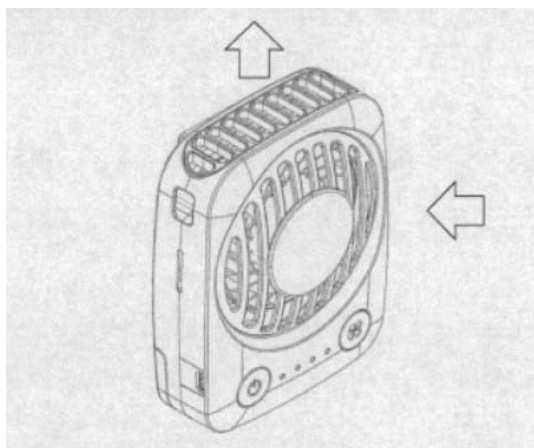
凱旋工商中心 1 期 13 樓 C1 室

[74] Amy Kwong

香港九龍 紅磡民裕

街 41 號

凱旋工商中心 1 期 13 樓 C1 室



[11] 1802294.3

[15] 23-11-2018

[30] 28-05-2018 / EM / 005284841-0001

[51] Cl. 11-01

[54] 鑽石

Diamonds

[73] WORLD TREND ENTERPRISES LIMITED

Suite 2101, 21/F, Tower One,

Lippo Center, 89 Queensway,

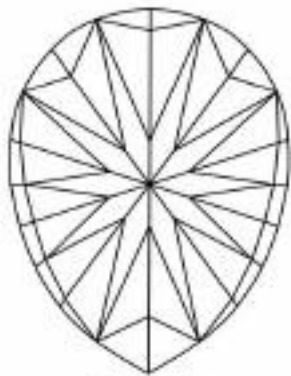
Hong Kong

[74] IP IMPETUS CONSULTANTS LIMITED

Unit 1101, Kai Tak Commercial Building,

317-319 Des Voeux Road Central,

Hong Kong.



[11] 1802295.6

[15] 23-11-2018

[30] 28-05-2018 / EM / 005285434-0001

[51] Cl. 11-01

[54] 鑽石

Diamond

[73] WORLD TREND ENTERPRISES LIMITED

Suite 2101, 21/F, Tower One,

Lippo Center, 89 Queensway,

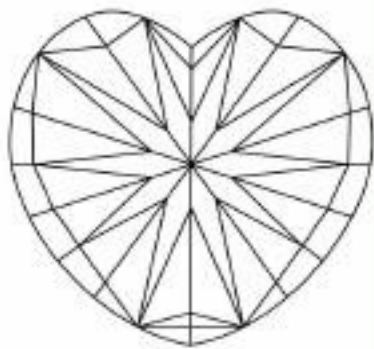
Hong Kong

[74] IP IMPETUS CONSULTANTS LIMITED

Unit 1101, Kai Tak Commercial Building,

317-319 Des Voeux Road Central,

Hong Kong.



[11] 1802296.8M001

[15] 23-11-2018

[30] 24-05-2018 / CN / 201830246827.X

[51] Cl. 13-03

[54] 開關

Switch

[73] SCHNEIDER ELECTRIC (AUSTRALIA) PTY LTD
78 WATERLOO ROAD,
MACQUARIE PARK, NSW 2113,
AUSTRALIA

[74] WENPING & CO.
1701 Tung Wai Commercial Building,
111 Gloucester Road,
Hong Kong.



[11] 1802296.8M002

[15] 23-11-2018

[30] 24-05-2018 / CN / 201830246827.X

[51] Cl. 13-03

[54] 開關

Switch

[73] SCHNEIDER ELECTRIC (AUSTRALIA) PTY LTD
78 WATERLOO ROAD,
MACQUARIE PARK, NSW 2113,
AUSTRALIA

[74] WENPING & CO.
1701 Tung Wai Commercial Building,
111 Gloucester Road,
Hong Kong.



[11] 1802296.8M003

[15] 23-11-2018

[30] 24-05-2018 / CN / 201830246827.X

[51] Cl. 13-03

[54] 開關

Switch

[73] SCHNEIDER ELECTRIC (AUSTRALIA) PTY LTD

78 WATERLOO ROAD,

MACQUARIE PARK, NSW 2113,

AUSTRALIA

[74] WENPING & CO.

1701 Tung Wai Commercial Building,

111 Gloucester Road,

Hong Kong.



[11] 1802297.0

[15] 23-11-2018

[51] Cl. 8-06

[54] 汽車車座用衣架

Clothes hanger for seat of car

[73] APPS. THEORY LIMITED

10/F., Kam Chung Commercial Building,

19 Hennessy Road, Wan Chai,

Hong Kong

[74] CtR Intellectual Property Co.

Rm 706, 7/F, Mega Cube,

8 Wang Kwong Road, Kowloon Bay,

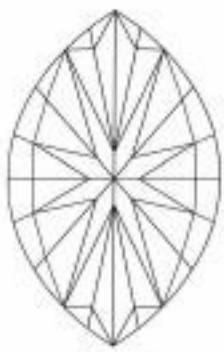
Kowloon, Hong Kong.



-
- [11] 1802298.2
 - [15] 23-11-2018
 - [30] 28-05-2018 / EM / 005285467-0001
 - [51] Cl. 11-01
 - [54] 鑽石
Diamond
 - [73] WORLD TREND ENTERPRISES LIMITED
Suite 2101, 21/F, Tower One,
Lippo Center, 89 Queensway,
Hong Kong
 - [74] IP IMPETUS CONSULTANTS LIMITED
Unit 1101, Kai Tak Commercial Building,
317-319 Des Voeux Road Central,
Hong Kong.



-
- [11] 1802299.4
 - [15] 23-11-2018
 - [30] 28-05-2018 / EM / 005284886-0001
 - [51] Cl. 11-01
 - [54] 鑽石
Diamond
 - [73] WORLD TREND ENTERPRISES LIMITED
Suite 2101, 21/F, Tower One,
Lippo Center, 89 Queensway,
Hong Kong
 - [74] IP IMPETUS CONSULTANTS LIMITED
Unit 1101, Kai Tak Commercial Building,
317-319 Des Voeux Road Central,
Hong Kong.



[11] 1802300.8M001

[15] 23-11-2018

[30] 28-05-2018 / EM, JP, NO, SG, CH / DM/101 486

[51] Cl. 7-02

[54] 水壺

Kettle

[73] Pi-Design AG

Kantonsstrasse 100,

CH-6234 Triengen,

SWITZERLAND

[74] WENPING & CO.

1701 Tung Wai Commercial Building,

111 Gloucester Road,

Hong Kong.



[11] 1802300.8M002

[15] 23-11-2018

[30] 28-05-2018 / EM, JP, NO, SG, CH / DM/101 486

[51] Cl. 7-02

[54] 電熱水壺

Electric Kettle

[73] Pi-Design AG
Kantonsstrasse 100,
CH-6234 Triengen,
SWITZERLAND

[74] WENPING & CO.
1701 Tung Wai Commercial Building,
111 Gloucester Road,
Hong Kong.



[11] 1802301.0

[15] 26-11-2018

[51] Cl. 17-05

[54] 音樂盒
Musical box

[73] IMA TRANS LIMITED
Flat A, 11th Floor, Crawford Tower,
99, Jervois Street,
Sheung Wan, Hong Kong

[74] IMA TRANS LIMITED
Flat A, 11th Floor, Crawford Tower,
99, Jervois Street,
Sheung Wan, Hong Kong



[11] 1802302.2

[15] 26-11-2018

[51] Cl. 17-05

[54] 音樂盒

Musical box

[73] IMA TRANS LIMITED

Flat A, 11th Floor, Crawford Tower,
99, Jervois Street,
Sheung Wan, Hong Kong

[74] IMA TRANS LIMITED

Flat A, 11th Floor, Crawford Tower,
99, Jervois Street,
Sheung Wan, Hong Kong



[11] 1802303.4

[15] 26-11-2018

[30] 22-06-2018 / CN / 2018303250402

[51] Cl. 14-01

[54] 共享舞台設備

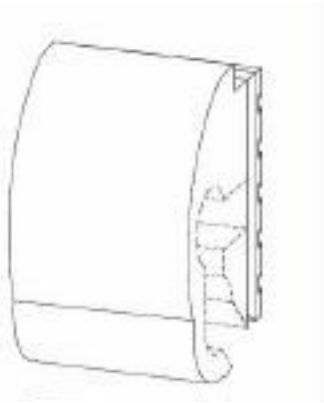
Sharing stage equipment

[73] 歐陽院紅
中國內地廣東省廣州市 番禺
區石樓鎮東環路 123 號
7 座 1505 房飛天工作室

[74] Lifang & Partners Limited
香港皇后大道中 99 號
中環中心 15 樓 1505-6 室



[11] 1802304.6
[15] 26-11-2018
[30] 30-05-2018 / TW / 107303043
[51] Cl. 24-03
[54] 牙齒矯正托架
Orthodontic bracket
[73] 洪澄祥
台灣
新北市新店區 北新
路 3 段 126 號
[74] 香港柳沈知識產權服務公司
香港灣仔
港灣道 30 號
新鴻基中心 37 樓 3716 室



[11] 1802308.5

[15] 26-11-2018

[30] 28-05-2018 / EM / 005285400-0001

[51] Cl. 11-01

[54] 鑽石

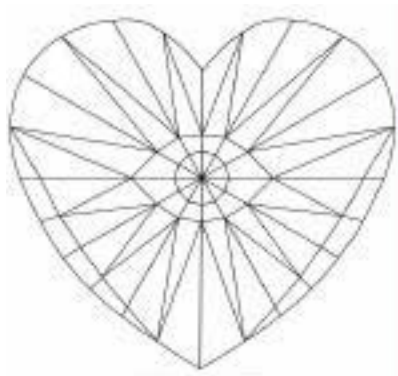
Diamond

[73] LUCKY EYE LIMITED

Unit 01, 21/F, Tower One,
Lippo Center, 89 Queensway,
Hong Kong

[74] IP IMPETUS CONSULTANTS LIMITED

Unit 1101, Kai Tak Commercial Building,
317-319 Des Voeux Road Central,
Hong Kong.



[11] 1802309.7

[15] 26-11-2018

[30] 28-05-2018 / EM / 005284791-0001

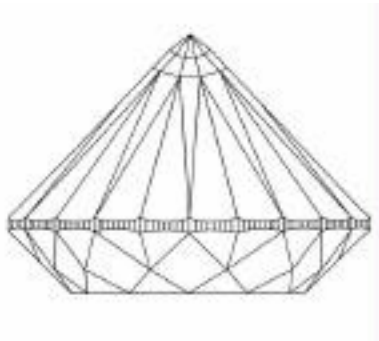
[51] Cl. 11-01

[54] 鑽石

Diamond

[73] LUCKY EYE LIMITED
Unit 01, 21/F, Tower One,
Lippo Center, 89 Queensway,
Hong Kong

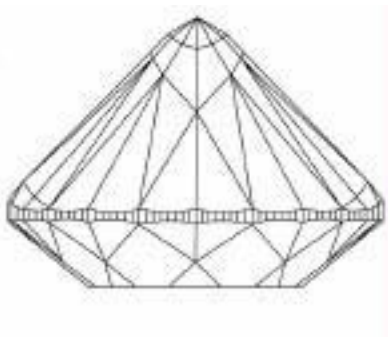
[74] IP IMPETUS CONSULTANTS LIMITED
Unit 1101, Kai Tak Commercial Building,
317-319 Des Voeux Road Central,
Hong Kong.



[11] 1802310.9
[15] 26-11-2018
[30] 28-05-2018 / EM / 005284817-0001
[51] Cl. 11-01
[54] 鑽石
Diamond

[73] LUCKY EYE LIMITED
Unit 01, 21/F, Tower One,
Lippo Center, 89 Queensway,
Hong Kong

[74] IP IMPETUS CONSULTANTS LIMITED
Unit 1101, Kai Tak Commercial Building,
317-319 Des Voeux Road Central,
Hong Kong.



[11] 1802311.1

[15] 26-11-2018

[30] 28-05-2018 / EM / 005285301-0001

[51] Cl. 11-01

[54] 鑽石

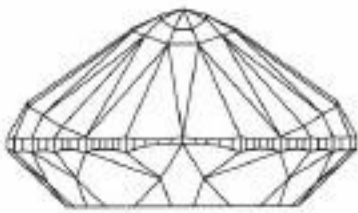
Diamond

[73] LUCKY EYE LIMITED

Unit 01, 21/F, Tower One,
Lippo Center, 89 Queensway,
Hong Kong

[74] IP IMPETUS CONSULTANTS LIMITED

Unit 1101, Kai Tak Commercial Building,
317-319 Des Voeux Road Central,
Hong Kong.



[11] 1802312.3

[15] 26-11-2018

[30] 28-05-2018 / EM / 005285319-0001

[51] Cl. 11-01

[54] 鑽石

Diamond

[73] LUCKY EYE LIMITED

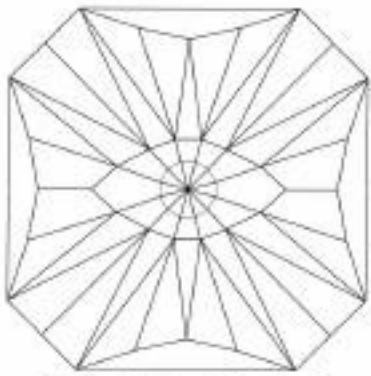
Unit 01, 21/F, Tower One,
Lippo Center, 89 Queensway,
Hong Kong

[74] IP IMPETUS CONSULTANTS LIMITED

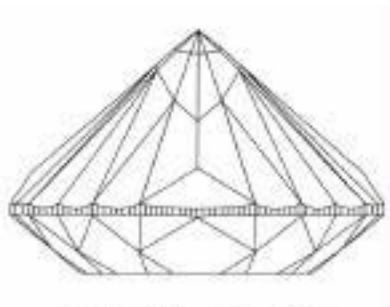
Unit 1101, Kai Tak Commercial Building,
317-319 Des Voeux Road Central,
Hong Kong.



- [11] 1802313.5
- [15] 26-11-2018
- [30] 28-05-2018 / EM / 005284783-0001
- [51] Cl. 11-01
- [54] 鑽石
Diamond
- [73] LUCKY EYE LIMITED
Unit 01, 21/F, Tower One,
Lippo Center, 89 Queensway,
Hong Kong
- [74] IP IMPETUS CONSULTANTS LIMITED
Unit 1101, Kai Tak Commercial Building,
317-319 Des Voeux Road Central,
Hong Kong.



-
- [11] 1802314.7
 - [15] 26-11-2018
 - [30] 28-05-2018 / EM / 005284775-0001
 - [51] Cl. 11-01
 - [54] 鑽石
Diamond
 - [73] LUCKY EYE LIMITED
Unit 01, 21/F, Tower One,
Lippo Center, 89 Queensway,
Hong Kong
 - [74] IP IMPETUS CONSULTANTS LIMITED
Unit 1101, Kai Tak Commercial Building,
317-319 Des Voeux Road Central,
Hong Kong.



[11] 1802315.0

[15] 26-11-2018

[51] Cl. 13-02

[54] 充電器

Charger

[73] Xoopar Limited

ROOM 17-18, 10/F. LANDMARK NORTH,
39 LUNG SUM AVE., SHEUNG SHUI,
N.T., HONG KONG

[74] CHINAHONGKONG PATENT LIMITED

3012, 30/F, Office Tower,
Convention Plaza, 1 Harbour Road,
Hong Kong.



[11] 1802316.2

[15] 26-11-2018

[51] Cl. 14-01

[54] 無線揚聲器

Wireless speaker

[73] Xoopar Limited

ROOM 17-18, 10/F. LANDMARK NORTH,
39 LUNG SUM AVE., SHEUNG SHUI,
N.T., HONG KONG

[74] CHINAHONGKONG PATENT LIMITED

3012, 30/F, Office Tower,
Convention Plaza, 1 Harbour Road,
Hong Kong.



[11] 1802317.4

[15] 27-11-2018

[51] Cl. 9-01

[54] 瓶子

Bottle

[73] YUEN FOONG YU CONSUMER PRODUCTS CO., LTD.

16F, NO. 51, SEC. 2,
CHUNG-CHING SOUTH ROAD,
TAIPEI CITY, TAIWAN

[74] IVAN WONG IP LIMITED

Unit 1406, 14th Floor,
The Broadway, 54-62 Lockhart Road,
Wanchai, Hong Kong.



[11] 1802319.8

[15] 27-11-2018

[30] 06-06-2018 / CN / 201830280594.5

[51] Cl. 10-04

[54] 智能結算台

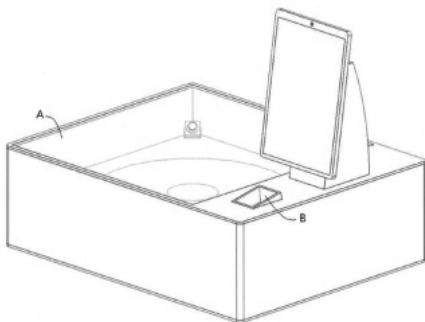
Intelligent checkout counter

[73] Beijing Jingdong Century Trading Co., Ltd.

Room201, 2/F, Block C, No. 18 Kechuang 11 street, Economic and
Technological Development Zone, Beijing CHINA.

Beijing JingDong ShangKe Information Technology Co, Ltd.
The western 1-4th floors & the eastern 1-4th floors, Building
NO.11, the fourth district of West Cedar Creative Park,
Xingshikou Road NO.65, Haidian District, Beijing CHINA

[74] China Sinda Intellectual Property Ltd.
Suite 3301, One Exchange Square, 8 Connaught Place, Central,
Hong Kong



[11] 1802321.2

[15] 27-11-2018

[51] Cl. 6-04

[54] 鞋袋

Shoe organizer

[73] Li Shu Wah

Room B-32, 14/F,
Wong King Industrial Building,
2-4 Tai Yau Street, Hong Kong

[74] Accolade IP Limited

Room 702, 7/F.,
Fu Fai Commercial Centre,
27 Hillier Street, Hong Kong.



[11] 1802323.6M002

[15] 27-11-2018

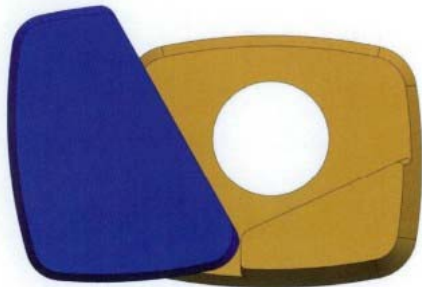
[51] Cl. 16-06

[54] 用於智能手機、電腦、手提電腦及汽車的鏡頭遮擋蓋

Camera cover for smartphones, computers, laptops and cars

[73] Tung Ho Shing
香港鴨脷洲 海旁道 8 號 南灣 8 座 26D

[74] 董浩勝
香港鴨脷洲 海旁道 8 號 南灣 8 座 26D



[11] 1802323.6M003

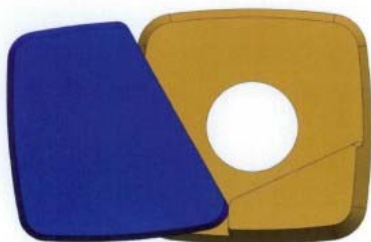
[15] 27-11-2018

[51] Cl. 16-06

[54] 用於智能手機、電腦、手提電腦及汽車的鏡頭遮擋蓋
Camera cover for smartphones, computers, laptops and cars

[73] Tung Ho Shing
香港鴨脷洲 海旁道 8 號 南灣 8 座 26D

[74] 董浩勝
香港鴨脷洲 海旁道 8 號 南灣 8 座 26D

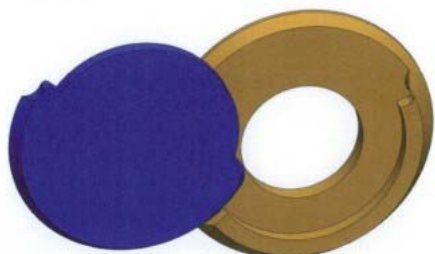


[11] 1802323.6M004

[15] 27-11-2018

[51] Cl. 16-06

- [54] 用於智能手機、電腦、手提電腦及汽車的鏡頭遮擋蓋
Camera cover for smartphones, computers, laptops and cars
- [73] Tung Ho Shing
香港鴨脷洲 海旁道 8 號 南灣 8 座 26D
- [74] 董浩勝
香港鴨脷洲 海旁道 8 號 南灣 8 座 26D



-
- [11] 1802323.6M005
- [15] 27-11-2018
- [51] Cl. 16-06
- [54] 用於智能手機、電腦、手提電腦及汽車的鏡頭遮擋蓋
Camera cover for smartphones, computers, laptops and cars
- [73] Tung Ho Shing
香港鴨脷洲 海旁道 8 號 南灣 8 座 26D
- [74] 董浩勝
香港鴨脷洲 海旁道 8 號 南灣 8 座 26D



-
- [11] 1802324.8
- [15] 27-11-2018
- [30] 13-09-2018 / CN / 201830514824.X

[51] Cl. 9-03

[54] 球狀盒

Spherical box

[73] 北京同仁堂國際藥業有限公司

BEIJING TONG REN TANG INTERNATIONAL NATURAL-PHARM CO., LTD.

中國內地北京市 北京經

濟技術開發區 西環南路 8

號 201 室

[74] 中港知識產權有限公司

香港港灣道 1 號 會

展廣場辦公大樓 30

樓 3011 室



[11] 1802341.4

[15] 28-11-2018

[51] Cl. 23-01

[54] 油脂分離器

Oil and grease interceptor

[73] LEUNG WAI ON

UNIT 601 & 602, LAKESIDE 2,

NO. 10, SCIENCE PARK WEST AVENUE, PHASE II,

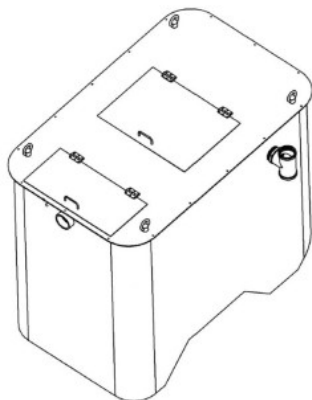
HONG KONG SCIENCE PARK, SHATIN, N.T., HONG KONG

[74] LEUNG WAI ON

UNIT 601 & 602, LAKESIDE 2,

NO. 10, SCIENCE PARK WEST AVENUE, PHASE II,

HONG KONG SCIENCE PARK, SHATIN, N.T., HONG KONG



[11] 1802342.6

[15] 28-11-2018

[30] 16-11-2018 / US / 29/670,566

[51] Cl. 21-01

[54] 玩具水下車

Toy underwater vehicle

[73] DC Comics

2900 West Alameda Avenue,

Burbank, CA 91505,

UNITED STATES

[74] Deacons

5th Floor,

Alexandra House,

Central, Hong Kong.



[11] 1802343.8

[15] 28-11-2018

[30] 17-07-2018 / EM, OA, MC, EG, JP, MA, NO, KR, SG, CH, TN, UA,
US, TR / DM/102 193

[51] Cl. 3-01

[54] 肩袋

Shoulder bag

[73] HERMES SELLIER

24, rue du Faubourg Saint Honoré,

F-75008 PARIS,
FRANCE

[74] Deacons
5th Floor,
Alexandra House,
Central, Hong Kong.



[11] 1802344.0

[15] 28-11-2018

[30] 18-07-2018 / EM, OA, MC, EG, JP, MA, NO, KR, SG, CH, TN, UA,
US, TR / DM/102 209

[51] Cl. 3-01

[54] 肩袋
Shoulder bag

[73] HERMES SELLIER
24, rue du Faubourg Saint Honoré,
F-75008 PARIS,
FRANCE

[74] Deacons
5th Floor,
Alexandra House,
Central, Hong Kong.





香港特別行政區政府知識產權署外觀設計註冊處

The Government of the Hong Kong Special Administrative Region

Designs Registry, Intellectual Property Department

根據註冊外觀設計條例第 28 條，下列註冊外觀設計因未繳續期費而停止有效。各組記項按註冊外觀設計停止有效日期及註冊編號先後次序排列。

Registered designs ceased through non-payment of renewal fees under section 28 of the Registered Designs Ordinance. Entries are listed below under their expiry dates.

17.05.2019 - 23.05.2019

17.05.2019	1400924.5M004	1400925.8M005
0411114.8	1400924.5M005	1400925.8M006
0900799.2M001	1400924.5M006	1400926.0M001
0900799.2M002	1400924.5M007	1400926.0M002
0900800.6	1400924.5M008	1400927.2M001
0900805.7M001	1400924.5M009	1400927.2M002
0900805.7M002	1400924.5M010	1400928.4
1400916.9M001	9910607.8	1400929.6M001
1400916.9M002		1400929.6M002
9910592.4		1400930.8

19.05.2019

	0411127.6	9910613.0
--	-----------	-----------

18.05.2019

0411118.7	0411131.4	
0411121.3	0411132.6	
0411122.5	0411134.0	
0411123.7M001	0411136.5	
0411123.7M002	0411140.3	
0411123.7M003	0411142.7	
0411123.7M004	0900811.9M001	
0411123.7M005	0900811.9M002	
0411123.7M006	0900811.9M003	
0900808.3	0900811.9M004	
0900809.5M001	0900811.9M005	
0900809.5M002	0900811.9M006	
1400917.1M001	0900811.9M007	
1400917.1M002	0900811.9M008	
1400917.1M003	0900811.9M009	
1400917.1M004	0900811.9M010	
1400917.1M005	0900817.2M001	
1400917.1M006	0900817.2M002	
1400917.1M007	0900817.2M003	
1400917.1M008	0900817.2M004	
1400918.3	0900819.6M001	
1400919.5	0900819.6M002	
1400920.7	0900819.6M003	
1400921.9	0900819.6M004	
1400922.1	0900819.6M005	
1400923.3	0900820.8	
1400924.5M001	1400925.8M001	
1400924.5M002	1400925.8M002	
1400924.5M003	1400925.8M003	
1400924.5M004	1400925.8M004	

20.05.2019

0411143.9	
0411146.6	
0900821.0	
0900823.4M002	
0900823.4M004	
0900823.4M005	
0900823.4M009	
0900826.1M001	
1400931.0M001	
1400931.0M002	
1400932.2M001	
1400932.2M002	
1400932.2M003	
1400932.2M004	
1400933.4M001	
1400933.4M002	
1400933.4M003	
1400933.4M004	
1400933.4M005	
1400934.6	
1400935.9	
1400936.1	
1400937.3M001	
1400937.3M002	
9910626.8M001	
9910626.8M002	
9910626.8M003	
9910630.6	

9910631.8	1400965.2
	1400966.4M001
21.05.2019	1400966.4M002
0900831.1M001	1400967.6M001
0900831.1M002	1400967.6M002
0900831.1M003	
0900832.3	23.05.2019
0900833.5	0411163.1
0900834.7	0411164.3
0900836.2	0411165.6
0900839.8M001	1400968.8
0900839.8M002	9910638.3
0900839.8M003	9910639.5M001
0900839.8M004	9910639.5M002
1400938.5	9910640.7M001
1400939.7	9910640.7M002
1400940.9	
1400942.3	
1400943.5	
1400944.7M001	
1400944.7M002	
1400944.7M003	
1400944.7M004	
1400945.0	
1400946.2M001	
1400946.2M002	
1400947.4M001	
1400947.4M002	
1400948.6	
22.05.2019	
1400949.8	
1400950.0M001	
1400950.0M002	
1400951.2M001	
1400951.2M002	
1400952.4	
1400953.6	
1400954.8M001	
1400954.8M002	
1400954.8M003	
1400954.8M004	
1400954.8M005	
1400954.8M006	
1400955.1	
1400956.3	
1400957.5M001	
1400957.5M002	
1400959.9	
1400960.1	
1400961.3	
1400962.5	
1400963.7	
1400964.9	



香港特別行政區政府知識產權署外觀設計註冊處

The Government of the Hong Kong Special Administrative Region

Designs Registry, Intellectual Property Department

根據註冊外觀設計規則第31條刪除的註冊外觀設計。各組記項按註冊外觀設計 刪除日期及註冊編號先後次序排列。

Registered designs removed under section 31 of the Registered Designs Rules. Entries are listed below under their removal dates.

17.05.2019 - 23.05.2019

20.05.2019

0802693.8

1301987.8

1301990.4M001

1301990.4M002

1301992.8

9811444.0

9811445.3

1302041.3

1302042.5

23.05.2019

9811471.7

22.05.2019

0311952.4M001

0311952.4M002

0311952.4M003

0311952.4M004

0802699.1

0802714.4

0802721.9M001

0802721.9M002

0802725.8

0802733.4

1301993.0

1301995.5

1301996.7

1301997.9

1301998.1

1302003.3

1302004.5

1302005.8M001

1302005.8M002

1302006.0

1302007.2M001

1302008.4M001

1302008.4M002

1302008.4M003

1302016.1M001

1302016.1M002

1302017.3M001

1302017.3M002

1302020.9

1302022.3

1302023.5

1302026.2

1302027.4

1302028.6

1302029.8

1302030.0

1302031.2

1302032.4

1302033.6

1302034.8

1302037.5

1302038.7

1302039.9

1302040.1



香港特別行政區政府知識產權署外觀設計註冊處

The Government of the Hong Kong Special Administrative Region

Designs Registry, Intellectual Property Department

根據註冊外觀設計條例第 76 條，更正已提交文件中的錯誤

Correction of errors in filed documents under section 76 of the Registered Designs Ordinance

下列在 16. 11. 2018 官方公報刊登的更正錯誤的請求已在 17. 01. 2019 獲准許

The following request for correction of error advertised in the official journal on 16.11.2018 was allowed on 17.01.2019

[21] 1801375.5

[55] Representations of the design