

香港知識產權公報

Hong Kong Intellectual Property Journal

2019 年 9 月 6 日
06 September 2019

目錄

Contents

根據註冊外觀設計條例第 25 條註冊的外觀設計

Designs Registered under section 25 of the Registered Designs Ordinance

按註冊編號排列

Arranged by Registration Number

根據註冊外觀設計條例(第 522 章)公布的其他公告

Other Notices Published under the Registered Designs Ordinance (Cap. 522)

根據註冊外觀設計條例第 28 條, 註冊外觀設計因未繳續期費而停止有效

Registered designs ceased through non-payment of renewal fees under section 28 of the Registered Designs Ordinance

根據註冊外觀設計規則第 31 條刪除的註冊外觀設計

Registered designs removed under section 31 of the Registered Designs Rules

以下事項沒有記錄

No Records for the Following Matters

根據註冊外觀設計條例第 30 條放棄的外觀設計的註冊

Surrender of Registration of Design under section 30 of the Registered Designs Ordinance

根據註冊外觀設計規則第 37 條, 向處長作出轉介

Reference to Registrar under section 37 of the Registered Designs Rules

根據註冊外觀設計條例第 45 條, 撤銷註冊

Revocation of Registration under section 45 of the Registered Designs Ordinance

根據註冊外觀設計規則第 46 條，向法院作出轉介
Reference to Court under section 46 of the Registered Designs Rules

根據註冊外觀設計規則第 63 條對不符合規定之處作出糾正
Rectification of Irregularities under section 63 of the Registered Designs Rules

根據註冊外觀設計條例第 66 條，糾正註冊紀錄冊
Rectification of Register under section 66 of the Registered Designs Ordinance

根據註冊外觀設計條例第 67 條，更正註冊紀錄冊內的錯誤
Correction of Errors in Register under section 67 of the Registered Designs Ordinance

根據註冊外觀設計條例第 67 及 76 條，更正註冊紀錄冊內及已提交文件中的錯誤
Correction of Errors in Register and in Filed Documents under sections
67 and 76 of the Registered Designs Ordinance

根據註冊外觀設計條例第 76 條，更正已提交文件中的錯誤
Correction of Errors in Filed Documents under section 76 of the Registered Designs
Ordinance

勘誤
Corrigendum

註冊外觀設計公告註釋

Notes on advertisements of registration of designs

方括號表示下列資料：

Square brackets indicate the following data：

- [11] 註冊編號 Registration number / 聯合王國註冊編號 United Kingdom registration number

- [15] 註冊日期 Registration date / 當作註冊日期 Deemed registration date / 聯合王國註冊日期 United Kingdom registration date

- [17] 註冊有效期屆滿日期 Expiry date of the period of registration

- [22] 提交日期 Filing date / 當作提交日期 Deemed filing date / 聯合王國提交日期 United Kingdom filing date

- [30] 聲稱享有的優先權 (提交日期 / 巴黎公約國或世界貿易組織成員 / 申請編號) Priority claimed (filing date / Paris Convention country or WTO member / application number)

- [51] 國際外觀設計分類號 (洛迦諾分類號) International Classification of designs (Locarno Classification)

- [54] 物品 Article

- [55] 外觀設計的表述 Representation of the design

- [62] 分開前的申請編號及提交日期 Application number before division and filing date

- [66] 過往註冊的聯繫外觀設計註冊編號 / 日期 Registration No. / Date of Previous Registration for Association

- [72] 設計人 Designer

[73] 擁有人姓名和地址 Name and address of the owner

[74] 代理人 Agent / 送達地址 Address for service



香港特別行政區政府知識產權署外觀設計註冊處

The Government of the Hong Kong Special Administrative Region

Designs Registry, Intellectual Property Department

根據註冊外觀設計條例第 25 條註冊的外觀設計

Designs registered under section 25 of the Registered Designs Ordinance

按註冊編號排列

Arranged by Registration Number

[11] 1801516.6M001

[15] 26-07-2018

[51] Cl. 30-04

[54] 動物用項圈

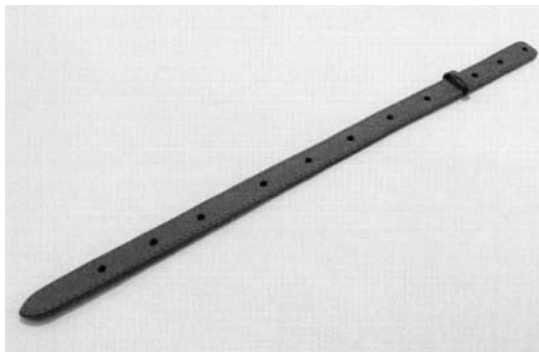
Collar for animals

[73] Franck Philippe Pierre METTETAL

ROOMS 2102-3 CHINA INSURANCE GROUPE BUILDING, 141 DES VOEUX ROAD, CENTRAL, HONG KONG

[74] METTETAL CONSULTING & DESIGN Ltd

ROOMS 2102-3 CHINA INSURANCE BUILDING GROUPE, 141 DES VOEUX ROAD, CENTRAL, HONG KONG



[11] 1801516.6M002

[15] 26-07-2018

[51] Cl. 30-04

[54] 動物用項圈連可替換配飾

Collar for animals with interchangeable decorative ornaments

[73] Franck Philippe Pierre METTETAL

ROOMS 2102-3 CHINA INSURANCE GROUPE BUILDING, 141 DES VOEUX ROAD, CENTRAL, HONG KONG

- [74] METTETAL CONSULTING & DESIGN Ltd
ROOMS 2102-3 CHINA INSURANCE BUILDING GROUPE, 141 DES VOEUX
ROAD, CENTRAL, HONG KONG



[11] 1801516.6M003

[15] 26-07-2018

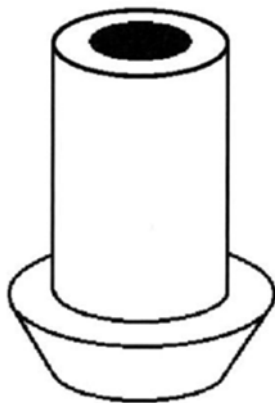
[51] Cl. 30-04

[54] 動物用項圈的可替換配飾

Interchangeable decorative ornament for collar for animals

[73] Franck Philippe Pierre METTETAL
ROOMS 2102-3 CHINA INSURANCE GROUPE BUILDING, 141 DES VOEUX
ROAD, CENTRAL, HONG KONG

[74] METTETAL CONSULTING & DESIGN Ltd
ROOMS 2102-3 CHINA INSURANCE BUILDING GROUPE, 141 DES VOEUX
ROAD, CENTRAL, HONG KONG



[11] 1802081.2M001

[15] 18-10-2018

[51] Cl. 11-01

[54] 頸鏈

Necklace

[73] Franck Philippe Pierre METTETAL

ROOMS 2102-3 CHINA INSURANCE GROUPE BUILDING, 141 DES VOEUX
ROAD, CENTRAL, HONG KONG

[74] METTETAL CONSULTING & DESIGN Ltd

ROOMS 2102-3 CHINA INSURANCE GROUPE BUILDING, 141 DES VOEUX
ROAD, CENTRAL, HONG KONG



[11] 1802081.2M002

[15] 18-10-2018

[51] Cl. 11-01

[54] 頸鏈連可替換配飾

Necklace with interchangeable decorative ornaments

[73] Franck Philippe Pierre METTETAL

ROOMS 2102-3 CHINA INSURANCE GROUPE BUILDING, 141 DES VOEUX
ROAD, CENTRAL, HONG KONG

[74] METTETAL CONSULTING & DESIGN Ltd

ROOMS 2102-3 CHINA INSURANCE GROUPE BUILDING, 141 DES VOEUX
ROAD, CENTRAL, HONG KONG



[11] 1802081.2M003

[15] 18-10-2018

[51] Cl. 11-01

[54] 可替換配飾

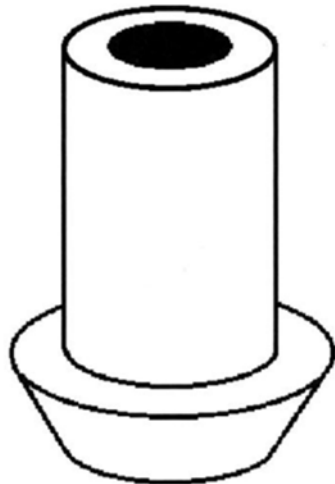
Interchangeable decorative ornament

[73] Franck Philippe Pierre METTETAL

ROOMS 2102-3 CHINA INSURANCE GROUPE BUILDING, 141 DES VOEUX
ROAD, CENTRAL, HONG KONG

[74] METTETAL CONSULTING & DESIGN Ltd

ROOMS 2102-3 CHINA INSURANCE GROUPE BUILDING, 141 DES VOEUX
ROAD, CENTRAL, HONG KONG



[11] 1802355.4

[15] 29-11-2018

[51] Cl. 28-03

[54] 法令紋貼

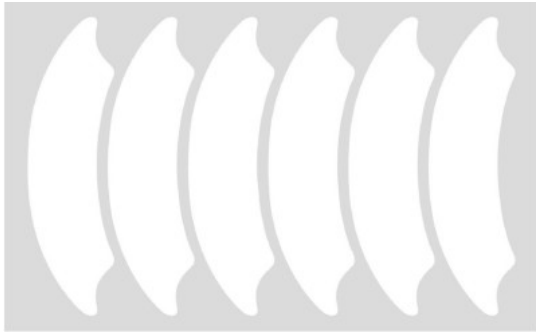
Nasolabial folds mask

[73] 保定春訊文化傳播有限公司

中國內地河北省保定市
蓮池區裕華街道辦事處 裕華
西路 325-56 號門臉

[74] 中港知識產權有限公司

香港港灣道 1 號
會展廣場辦公大樓
30 樓 3011 室



[11] 1802362.8

[15] 30-11-2018

[51] Cl. 10-04

[54] 顏色顯示天氣預報時鐘

Color display weather station clock

[73] 李建榮

香港葵涌

和宜合道 63 號 麗晶

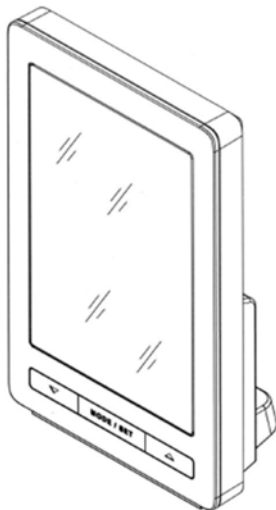
中心 A 座 2107 室

[74] 李建榮

香港葵涌 和宜合

道 63 號

麗晶中心 A 座 2107 室



[11] 1802373.1

[15] 03-12-2018

[51] Cl. 15-05

[54] 智能自助洗車機

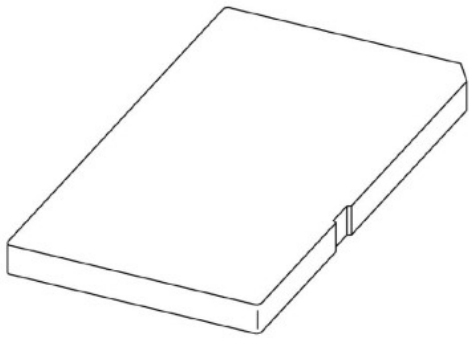
Intelligent self-service car washing machine

[73] 進宏科技有限公司
Able Technology Co. Ltd.
香港九龍 九龍灣
宏開道 1 號
業安工廠大廈 1 座 359-360 室

[74] 陳錦俊
香港九龍 九龍灣
宏開道 1 號
業安工廠大廈 1 座 359-360 室



- [11] 1802402.4
[15] 06-12-2018
[30] 13-06-2018 / JP / 012923 of 2018
[51] Cl. 14-02
[54] 集成電路內置卡
Integrated circuit built-in card
[73] Toshiba Memory Corporation
1-1, Shibaura 1-chome,
Minato-ku, Tokyo,
JAPAN
[74] Deacons
5th Floor,
Alexandra House,
Central, Hong Kong.



[11] 1802442.8

[15] 12-12-2018

[30] 12-06-2018 / GB / 6037137

[51] Cl. 28-03

Cl. 28-02

[54] 化妝品外殼

A cosmetic casing

[73] Pat McGrath Cosmetics LLC

126 Fifth Avenue,

New York, NY 10011,

UNITED STATES

[74] Deacons

5th Floor,

Alexandra House,

Central, Hong Kong.



[11] 1802462.0M001

[15] 14-12-2018

[30] 14-06-2018 / JP / 013126 of 2018

[51] Cl. 25-03

[54] 組合式房間

Assembled room

[73] 株式会社千

SEN Inc.

日本國東京都

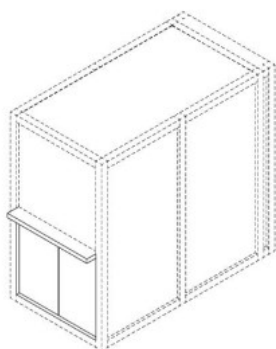
目黒區上目黒 3-36-7-405

[74] 中國專利代理(香港)有限公司

香港灣仔

港灣道 23 號

鷹君中心 22 字樓



[11] 1802462.0M002

[15] 14-12-2018

[30] 14-06-2018 / JP / 013135 of 2018

[51] Cl. 25-03

[54] 組合式房間

Assembled room

[73] 株式会社千

SEN Inc.

日本國東京都

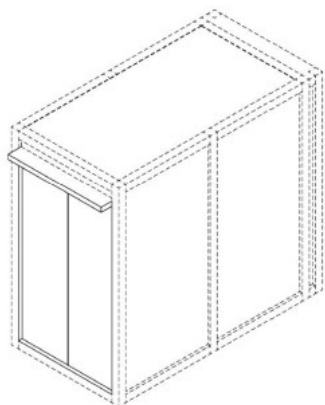
目黒區上目黒 3-36-7-405

[74] 中國專利代理(香港)有限公司

香港灣仔

港灣道 23 號

鷹君中心 22 字樓



[11] 1802462.0M003

[15] 14-12-2018

[30] 14-06-2018 / JP / 013128 of 2018

[51] Cl. 25-03

[54] 組合式房間

Assembled room

[73] 株式会社千

SEN Inc.

日本國東京都

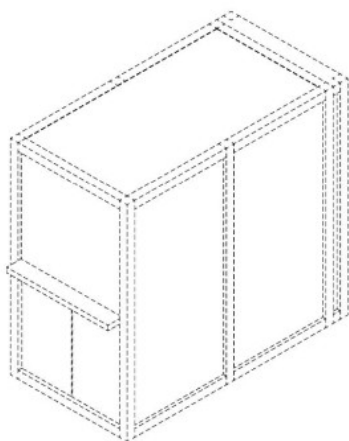
目黒區上目黒 3-36-7-405

[74] 中國專利代理(香港)有限公司

香港灣仔

港灣道 23 號

鷹君中心 22 字樓



[11] 1802545.8M001

[15] 27-12-2018

[30] 28-06-2018 / EU / 005328754-0001

[51] Cl. 9-05

[54] 用於咖啡或類似產品的膠囊

Capsule for coffee or similar products

[73] MITACA S.R.L.

VIA VINCENZO MONTI, 30,

20020 ROBECCHETTO CON INDUNO- FRAZIONE MALVAGLIO (MILANO),

ITALY

[74] FEDERATION OF HONG KONG INDUSTRIES

31/F, BILLION PLAZA,

8 CHEUNG YUE STREET,

CHEUNG SHA WAN , KOWLOON, HONG KONG



[11] 1802545.8M002

[15] 27-12-2018

[30] 28-06-2018 / EU / 005328754-0002

[51] Cl. 9-05

[54] 用於咖啡或類似產品的膠囊

Capsule for coffee or similar products

[73] MITACA S.R.L.

VIA VINCENZO MONTI, 30, 20020 ROBECCHETTO CON INDUNO- FRAZIONE

MALVAGLIO (MILANO), ITALY

[74] FEDERATION OF HONG KONG INDUSTRIES

31/F, BILLION PLAZA, 8 CHEUNG YUE STREET, CHEUNG SHA WAN ,

KOWLOON, HONG KONG



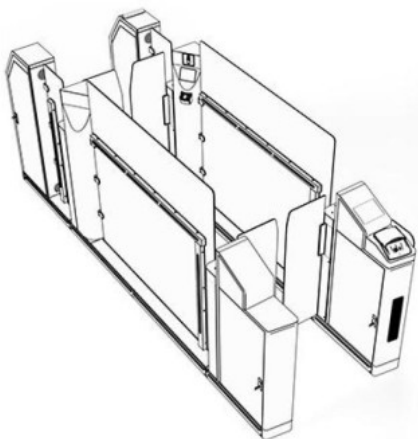
- [11] 1802555.9
[15] 27-12-2018
[30] 27-06-2018 / DE / 40 2018 100 631.9
[51] Cl. 24-04
[54] 用於醫療目的的容器
Container for medical purposes
[73] PERIPAL AG
BAHNHOFSTRASSE 78 CH-8001,
ZÜRICH,
SWITZERLAND
[74] CHINAHONGKONG IP LIMITED
3011, 30/F, Office Tower,
Convention Plaza, 1 Harbour Road,
Hong Kong.



-
- [11] 1802566.2
[15] 28-12-2018
[30] 28-06-2018 / CN / 201830340392.5
[51] Cl. 14-04
[54] 顯示螢幕的圖標
Icon for a display screen
[73] 賽諾菲
Sanofi
54 rue La Boetie F-75008 Paris,
FRANCE
[74] CHINAHONGKONG IP LIMITED
3011, 30/F, Office Tower,
Convention Plaza, 1 Harbour Road,
Hong Kong.



-
- [11] 1802581.3
 - [15] 31-12-2018
 - [30] 29-12-2018 / CN / 201830772066.1
 - [51] Cl. 10-05
 - [54] 自動閘門
Automated gate
 - [73] 航天信息股份有限公司
中國內地北京市
海澱區杏石口路甲 18 號
 - [74] 陳偉傑知識產權有限公司
香港上環
蘇杭街 23 號 永昌商業大
廈 10 樓 D 室



-
- [11] 1900036.7M001

- [15] 08-01-2019
- [30] 13-07-2018 / CN / 201830378331.8
- [51] Cl. 26-04
- [54] LED 燈泡
LED lamp bulb
- [73] 杭州思雋思科技有限公司
Hangzhou SIJUNSI Technology Company Limited
中國內地浙江省杭州市 西湖
區三墩鎮
紫宣路 158 號 2 幢 910 室
- [74] 中港知識產權有限公司
香港港灣道 1 號
會展廣場辦公大樓
30 樓 3011 室



-
- [11] 1900036.7M002
- [15] 08-01-2019
- [30] 13-07-2018 / CN / 201830378324.8
- [51] Cl. 26-04
- [54] 燈泡的燈絲
Filament of LED lamp bulb
- [73] 杭州思雋思科技有限公司
Hangzhou SIJUNSI Technology Company Limited
中國內地浙江省杭州市 西湖
區三墩鎮
紫宣路 158 號 2 幢 910 室
- [74] 中港知識產權有限公司
香港港灣道 1 號

會展廣場辦公大樓
30 樓 3011 室



-
- [11] 1900036.7M003
[15] 08-01-2019
[30] 13-07-2018 / CN / 201830378324.8
[51] Cl. 26-04
[54] LED 燈泡的燈絲
Filament of LED lamp bulb
[73] 杭州思雋思科技有限公司
Hangzhou SIJUNSI Technology Company Limited
中國內地浙江省杭州市 西湖
區三墩鎮
紫宣路 158 號 2 幢 910 室
[74] 中港知識產權有限公司
香港港灣道 1 號
會展廣場辦公大樓
30 樓 3011 室



[11] 1900036.7M004

[15] 08-01-2019

[30] 13-07-2018 / CN / 201830396737.9

[51] C1. 26-04

[54] 燈泡

Lamp bulb

[73] 杭州思雋思科技有限公司

Hangzhou SIJUNSI Technology Company Limited

中國內地浙江省杭州市 西湖

區三墩鎮

紫宣路 158 號 2 幢 910 室

[74] 中港知識產權有限公司

香港港灣道 1 號

會展廣場辦公大樓

30 樓 3011 室



[11] 1900078.5M001

[15] 11-01-2019

[51] Cl. 13-03

[54] 電源插座

Electrical socket outlet

[73] 廣州雷神電氣製造有限公司

中國內地廣東省廣州市

增城區新塘鎮

民營西二橫路 5 號 (廠房 B4)

[74] 商專國際知識產權事務所有限公司

香港九龍旺角

花園街 2-16 號

好景商業中心 10 樓 1005 室(B)



[11] 1900078.5M002

[15] 11-01-2019

[51] Cl. 13-03

[54] 電源插座

Electrical socket outlet

[73] 廣州雷神電氣製造有限公司

中國內地廣東省廣州市

增城區新塘鎮

民營西二橫路 5 號 (廠房 B4)

[74] 商專國際知識產權事務所有限公司

香港九龍旺角

花園街 2-16 號

好景商業中心 10 樓 1005 室(B)



[11] 1900078.5M003

[15] 11-01-2019

[51] Cl. 13-03

[54] 電源插座

Electrical socket outlet

[73] 廣州雷神電氣製造有限公司

中國內地廣東省廣州市

增城區新塘鎮

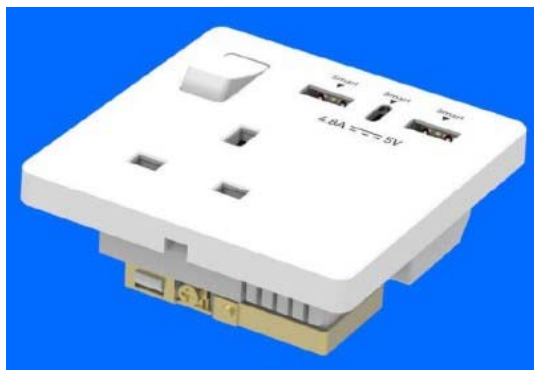
民營西二橫路 5 號 (廠房 B4)

[74] 商專國際知識產權事務所有限公司

香港九龍旺角

花園街 2-16 號

好景商業中心 10 樓 1005 室(B)



[11] 1900205.6

[15] 30-01-2019

[30] 07-08-2018 / AU / 201814675

[51] Cl. 8-06

[54] 按鈕模塊

Button module

[73] Traitel Technologies Corporation

3422 Old Capitol Trail,

Wilmington Delaware,

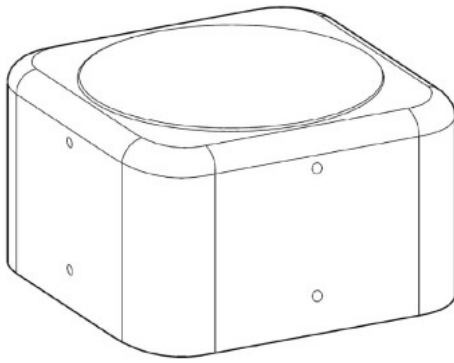
UNITED STATES

[74] Spruson & Ferguson (Hong Kong) Limited

5001 Hopewell Centre,

183 Queen's Road East,

Hong Kong.



[11] 1913111.1

[15] 28-02-2019

[30] 07-12-2018 / CN / 201830707793.X

[51] Cl. 9-01

[54] 包裝瓶

Packaging bottle

[73] 威萊(香港)有限公司

香港

新界沙田安耀街 3 號

匯達大廈 2 樓 211-13 室

[74] TALENT INTELLECTUAL PROPERTY RIGHT SERVICE LIMITED

香港

九龍彌敦道 695 號

永如大廈 12 字樓



[11] 1913121.2

[15] 01-03-2019

[30] 29-01-2019 / KR / 30-2019-0004344

[51] Cl. 9-03

[54] 真空食物保鮮容器

Vacuum container for preserving food

[73] SILLYMANN Co., Ltd.

116, Donyu 2-ro, Paju-eup,

Paju-si, Gyeonggi-do,

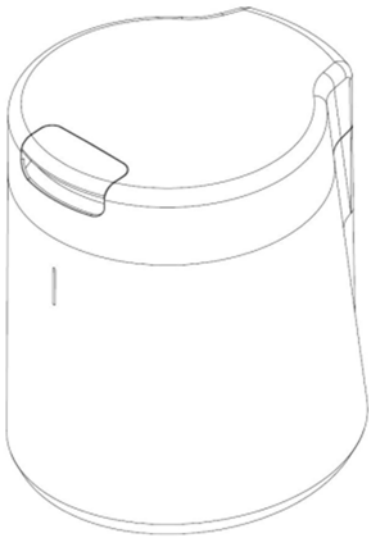
KOREA, REPUBLIC OF

[74] STANDARD TRADEMARK REGISTRATION SERVICE LIMITED

Suite 503, Tower 2, Lippo Centre,

Queensway,

HONG KONG



[11] 1913164.2

[15] 08-03-2019

[51] Cl. 14-05

[54] USB 記憶棒

USB memory stick

[73] Brand New Days Limited

Flat B, 6/F, Tong Yuen Factory Building

505 Castle Peak Road, Lai Chi Kok, Kowloon ,

Hong Kong

[74] Brand New Days Limited

Flat B, 6/F, Tong Yuen Factory Building

505 Castle Peak Road, Lai Chi Kok, Kowloon, HONG KONG



[11] 1913168.1M001

[15] 11-03-2019

[30] 11-09-2018 / US / 29/663,030

[51] Cl. 14-03

Cl. 14-02

Cl. 14-04

[54] 帶圖形用戶界面的電子設備

ELECTRONIC DEVICE WITH GRAPHICAL USER INTERFACE

[73] 蘋果公司

APPLE INC.

ONE APPLE PARK WAY, CUPERTINO, CALIFORNIA 95014

UNITED STATES

[74] CLT PATENT & TRADEMARK (H.K.) LIMITED

Unit 09, 34/F., Office Tower, Convention Plaza

No. 1 Harbour Road, Wanchai

HONG KONG



- [11] 1913168.1M002
- [15] 11-03-2019
- [30] 11-09-2018 / US / 29/663,030
- [51] Cl. 14-03
Cl. 14-02
Cl. 14-04
- [54] 帶圖形用戶界面的電子設備
ELECTRONIC DEVICE WITH GRAPHICAL USER INTERFACE
- [73] 蘋果公司
APPLE INC.
ONE APPLE PARK WAY, CUPERTINO, CALIFORNIA 95014
UNITED STATES
- [74] CLT PATENT & TRADEMARK (H.K.) LIMITED
Unit 09, 34/F., Office Tower, Convention Plaza
No. 1 Harbour Road, Wanchai
HONG KONG



-
- [11] 1913168.1M003
- [15] 11-03-2019
- [30] 11-09-2018 / US / 29/663,030
- [51] Cl. 14-03
Cl. 14-02
Cl. 14-04
- [54] 帶圖形用戶界面的電子設備
ELECTRONIC DEVICE WITH GRAPHICAL USER INTERFACE
- [73] 蘋果公司
APPLE INC.
ONE APPLE PARK WAY, CUPERTINO, CALIFORNIA 95014
UNITED STATES

[74] CLT PATENT & TRADEMARK (H.K.) LIMITED
Unit 09, 34/F., Office Tower, Convention Plaza
No. 1 Harbour Road, Wanchai
HONG KONG



[11] 1913238.0

[15] 19-03-2019

[30] 27-09-2018 / EU / 005662731-0001

[51] Cl. 28-03

[54] 頭髮造型和頭髮護理裝置

Hair styling and hair care apparatus

[73] Dyson Technology Limited

Tetbury Hill, Malmesbury, Wiltshire, SN16 0RP

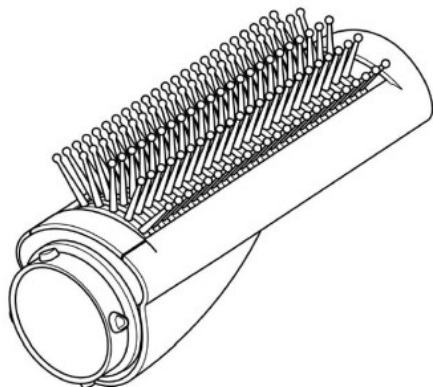
UNITED KINGDOM

[74] LIU, SHEN & ASSOCIATES

Room 3716, 37/F, Sun Hung Kai Centre,

30 Harbour Road, Wanchai,

HONG KONG



- [11] 1913254.3
[15] 20-03-2019
[30] 21-09-2018 / EU / 8995301
[51] Cl. 6-03
[54] 控制台
Console table
[73] JURA Elektroapparate AG
Kaffeeweltstrasse 10
4626 Niederbuchsiten
SWITZERLAND
[74] WENPING & CO
1701 Tung Wai Commercial Building,
111 Gloucester Road,
HONG KONG



-
- [11] 1913255.6
[15] 20-03-2019
[30] 20-09-2018 / EU / 005650850
[51] Cl. 3-01
[54] 袋
Bag
[73] Fendi S.r.l.
Palazzo della Civiltà Italiana
Quadrato della Concordia 3
00144 Roma
ITALY
[74] BAKER & MCKENZIE
14th Floor, One Taikoo Place
979 King's Road, Quarry Bay
HONG KONG



[11] 1913256.8

[15] 20-03-2019

[30] 28-09-2018 / IT / 402018000003121

[51] Cl. 2-04

[54] 鞋

Shoe

[73] VALENTINO S.p.A.

Via Turati, 16/18

I-20121 MILANO

ITALY

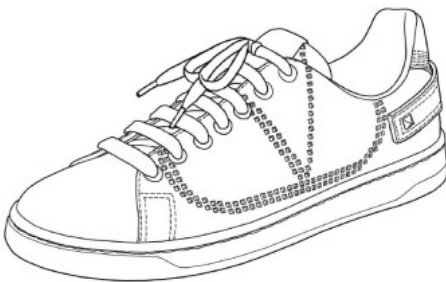
[74] BARRON & YOUNG INTELLECTUAL PROPERTY LIMITED

Suite 617, Lakeside 2

No. 10 Science Park West Avenue, Hong Kong Science Park,

Shatin, N.T.

HONG KONG



[11] 1913257.0M001

[15] 21-03-2019

[30] 24-09-2018 / US / 29/664,251

[51] Cl. 14-03

[54] 揚聲器電話

Speakerphone

[73] POLYCOM, INC.

6001 AMERICA CENTER DRIVE, SAN JOSE

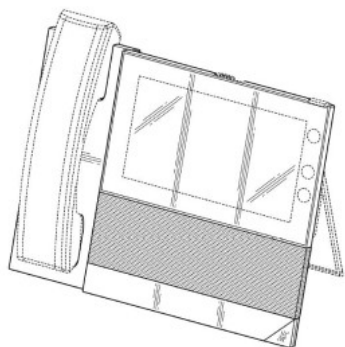
CALIFORNIA 95002

UNITED STATES

[74] CHINA PATENT AGENT (HONG KONG) LIMITED

22/F, Great Eagle Centre, 23 Harbour Road, Wanchai

HONG KONG



[11] 1913257.0M002

[15] 21-03-2019

[30] 24-09-2018 / US / 29/664,251

[51] Cl. 14-03

[54] 揚聲器電話

Speakerphone

[73] POLYCOM, INC.

6001 AMERICA CENTER DRIVE, SAN JOSE

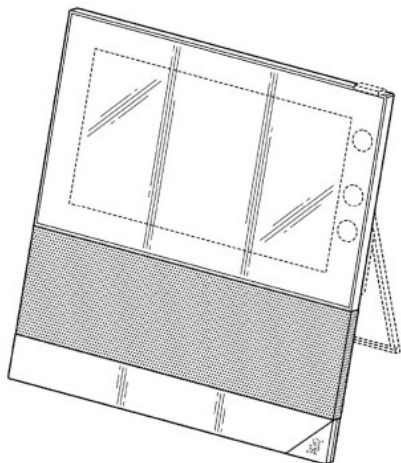
CALIFORNIA 95002

UNITED STATES

[74] CHINA PATENT AGENT (HONG KONG) LIMITED

22/F, Great Eagle Centre, 23 Harbour Road, Wanchai

HONG KONG



[11] 1913257.0M003

[15] 21-03-2019

[30] 24-09-2018 / US / 29/664,251

[51] Cl. 14-03

[54] 揚聲器電話

Speakerphone

[73] POLYCOM, INC.

6001 AMERICA CENTER DRIVE, SAN JOSE

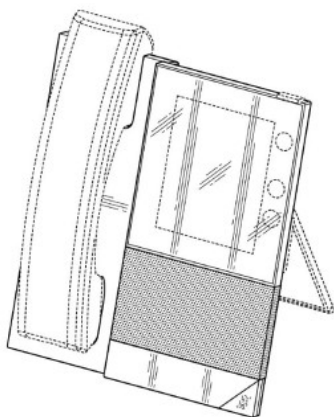
CALIFORNIA 95002

UNITED STATES

[74] CHINA PATENT AGENT (HONG KONG) LIMITED

22/F, Great Eagle Centre, 23 Harbour Road, Wanchai

HONG KONG



[11] 1913257.0M004

[15] 21-03-2019

[30] 24-09-2018 / US / 29/664,251

[51] Cl. 14-03

[54] 揚聲器電話

Speakerphone

[73] POLYCOM, INC.

6001 AMERICA CENTER DRIVE, SAN JOSE

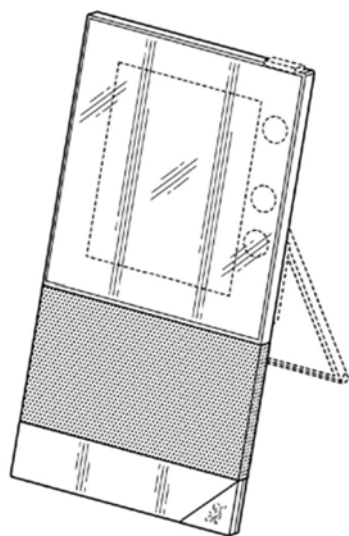
CALIFORNIA 95002

UNITED STATES

[74] CHINA PATENT AGENT (HONG KONG) LIMITED

22/F, Great Eagle Centre, 23 Harbour Road, Wanchai

HONG KONG



[11] 1913257.0M005

[15] 21-03-2019

[30] 24-09-2018 / US / 29/664,251

[51] Cl. 14-03

[54] 揚聲器電話

Speakerphone

[73] POLYCOM, INC.

6001 AMERICA CENTER DRIVE, SAN JOSE

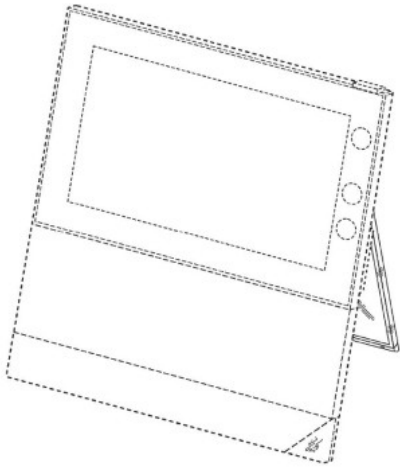
CALIFORNIA 95002

UNITED STATES

[74] CHINA PATENT AGENT (HONG KONG) LIMITED

22/F, Great Eagle Centre, 23 Harbour Road, Wanchai

HONG KONG



[11] 1913258.2M001

[15] 21-03-2019

[30] 21-09-2018 / EU / 005652039

[51] Cl. 2-07

[54] 扣件

Buckle

[73] ROGER VIVIER S.p.A.

VIA FILIPPO DELLA VALLE 1,

I-63811 SANT'ELPIDIO A MARE (FERMO)

ITALY

[74] CHINA PATENT AGENT (HONG KONG) LIMITED

22/F, Great Eagle Centre, 23 Harbour Road, Wanchai

HONG KONG



[11] 1913258.2M002

[15] 21-03-2019

[30] 21-09-2018 / EU / 005652039

[51] Cl. 2-07

[54] 扣件

Buckle

[73] ROGER VIVIER S.p.A.

VIA FILIPPO DELLA VALLE 1,
I-63811 SANT'ELPIDIO A MARE (FERMO)
ITALY

[74] CHINA PATENT AGENT (HONG KONG) LIMITED

22/F, Great Eagle Centre, 23 Harbour Road, Wanchai
HONG KONG



[11] 1913258.2M003

[15] 21-03-2019

[30] 21-09-2018 / EU / 005652039

[51] Cl. 2-07

[54] 扣件

Buckle

[73] ROGER VIVIER S.p.A.

VIA FILIPPO DELLA VALLE 1,
I-63811 SANT'ELPIDIO A MARE (FERMO)
ITALY

[74] CHINA PATENT AGENT (HONG KONG) LIMITED

22/F, Great Eagle Centre, 23 Harbour Road, Wanchai
HONG KONG



[11] 1913258.2M004

[15] 21-03-2019

[30] 21-09-2018 / EU / 005652039

[51] Cl. 2-07

[54] 扣件

Buckle

[73] ROGER VIVIER S.p.A.

VIA FILIPPO DELLA VALLE 1,

I-63811 SANT'ELPIDIO A MARE (FERMO)

ITALY

[74] CHINA PATENT AGENT (HONG KONG) LIMITED

22/F, Great Eagle Centre, 23 Harbour Road, Wanchai

HONG KONG



[11] 1913258.2M005

[15] 21-03-2019

[30] 21-09-2018 / EU / 005652039

[51] Cl. 2-07

[54] 扣件

Buckle

[73] ROGER VIVIER S.p.A.

VIA FILIPPO DELLA VALLE 1,

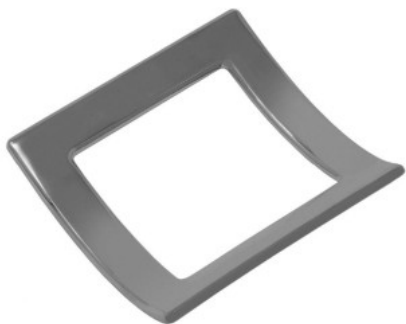
I-63811 SANT'ELPIDIO A MARE (FERMO)

ITALY

[74] CHINA PATENT AGENT (HONG KONG) LIMITED

22/F, Great Eagle Centre, 23 Harbour Road, Wanchai

HONG KONG



[11] 1913258.2M006

[15] 21-03-2019

[30] 21-09-2018 / EU / 005652039

[51] Cl. 2-07

[54] 扣件

Buckle

[73] ROGER VIVIER S.p.A.

VIA FILIPPO DELLA VALLE 1,

I-63811 SANT'ELPIDIO A MARE (FERMO)

ITALY

[74] CHINA PATENT AGENT (HONG KONG) LIMITED

22/F, Great Eagle Centre, 23 Harbour Road, Wanchai

HONG KONG



[11] 1913258.2M007

[15] 21-03-2019

[30] 21-09-2018 / EU / 005652039

[51] Cl. 2-07

[54] 扣件

Buckle

[73] ROGER VIVIER S.p.A.
VIA FILIPPO DELLA VALLE 1,
I-63811 SANT'ELPIDIO A MARE (FERMO)
ITALY

[74] CHINA PATENT AGENT (HONG KONG) LIMITED
22/F, Great Eagle Centre, 23 Harbour Road, Wanchai
HONG KONG



[11] 1913258.2M008

[15] 21-03-2019

[30] 21-09-2018 / EU / 005652039

[51] Cl. 2-07

[54] 扣件

Buckle

[73] ROGER VIVIER S.p.A.
VIA FILIPPO DELLA VALLE 1,
I-63811 SANT'ELPIDIO A MARE (FERMO)
ITALY

[74] CHINA PATENT AGENT (HONG KONG) LIMITED
22/F, Great Eagle Centre, 23 Harbour Road, Wanchai
HONG KONG



[11] 1913258.2M009

[15] 21-03-2019

[30] 21-09-2018 / EU / 005652039

[51] Cl. 2-07

[54] 扣件

Buckle

[73] ROGER VIVIER S.p.A.

VIA FILIPPO DELLA VALLE 1,

I-63811 SANT'ELPIDIO A MARE (FERMO)

ITALY

[74] CHINA PATENT AGENT (HONG KONG) LIMITED

22/F, Great Eagle Centre, 23 Harbour Road, Wanchai

HONG KONG



[11] 1913258.2M010

[15] 21-03-2019

[30] 21-09-2018 / EU / 005652039

[51] Cl. 2-04

[54] 鞋

Shoes

[73] ROGER VIVIER S.p.A.

VIA FILIPPO DELLA VALLE 1,

I-63811 SANT'ELPIDIO A MARE (FERMO)

ITALY

[74] CHINA PATENT AGENT (HONG KONG) LIMITED

22/F, Great Eagle Centre, 23 Harbour Road, Wanchai

HONG KONG



[11] 1913258.2M011

[15] 21-03-2019

[30] 21-09-2018 / EU / 005652039

[51] Cl. 2-04

[54] 鞋

Shoes

[73] ROGER VIVIER S.p.A.

VIA FILIPPO DELLA VALLE 1,

I-63811 SANT'ELPIDIO A MARE (FERMO)

ITALY

[74] CHINA PATENT AGENT (HONG KONG) LIMITED

22/F, Great Eagle Centre, 23 Harbour Road, Wanchai

HONG KONG



[11] 1913258.2M012

[15] 21-03-2019

[30] 21-09-2018 / EU / 005652039

[51] Cl. 2-04

[54] 鞋

Shoes

[73] ROGER VIVIER S.p.A.

VIA FILIPPO DELLA VALLE 1,
I-63811 SANT'ELPIDIO A MARE (FERMO)
ITALY

[74] CHINA PATENT AGENT (HONG KONG) LIMITED

22/F, Great Eagle Centre, 23 Harbour Road, Wanchai
HONG KONG



[11] 1913258.2M013

[15] 21-03-2019

[30] 21-09-2018 / EU / 005652039

[51] Cl. 2-04

[54] 鞋底

Shoe sole

[73] ROGER VIVIER S.p.A.

VIA FILIPPO DELLA VALLE 1,
I-63811 SANT'ELPIDIO A MARE (FERMO)
ITALY

[74] CHINA PATENT AGENT (HONG KONG) LIMITED

22/F, Great Eagle Centre, 23 Harbour Road, Wanchai
HONG KONG



[11] 1913258.2M014

[15] 21-03-2019

[30] 21-09-2018 / EU / 005652039

[51] Cl. 2-04

[54] 鞋裝飾品

Shoe decoration

[73] ROGER VIVIER S.p.A.

VIA FILIPPO DELLA VALLE 1,

I-63811 SANT'ELPIDIO A MARE (FERMO)

ITALY

[74] CHINA PATENT AGENT (HONG KONG) LIMITED

22/F, Great Eagle Centre, 23 Harbour Road, Wanchai

HONG KONG



[11] 1913258.2M015

[15] 21-03-2019

[30] 21-09-2018 / EU / 005652039

[51] Cl. 2-04

[54] 鞋

Shoe

[73] ROGER VIVIER S.p.A.

VIA FILIPPO DELLA VALLE 1,

I-63811 SANT'ELPIDIO A MARE (FERMO)

ITALY

[74] CHINA PATENT AGENT (HONG KONG) LIMITED

22/F, Great Eagle Centre, 23 Harbour Road, Wanchai

HONG KONG



[11] 1913259.4M001

[15] 21-03-2019

[51] Cl. 11-01

[54] 飾物設計
Ornament design

[73] 金至尊國際有限公司

3D-GOLD INTERNATIONAL COMPANY LIMITED
UNITS 01-09, 17TH FLOOR, PENINSULA SQUARE,
NO.18 SUNG ON STREET, HUNGHOM, KOWLOON
HONG KONG

[74] 3D-GOLD INTERNATIONAL COMPANY LIMITED(ATTN TO IRENE CHEUNG)
UNITS 01-09, 17TH FLOOR, PENINSULA SQUARE,
NO. 18 SUNG ON STREET, HUNGHOM, KOWLOON,
HONG KONG



[11] 1913259.4M002

[15] 21-03-2019

[51] Cl. 11-01

[54] 飾物設計

Ornament design

[73] 金至尊國際有限公司

3D-GOLD INTERNATIONAL COMPANY LIMITED
UNITS 01-09, 17TH FLOOR, PENINSULA SQUARE,
NO.18 SUNG ON STREET, HUNGHOM, KOWLOON
HONG KONG

[74] 3D-GOLD INTERNATIONAL COMPANY LIMITED(ATTN TO IRENE CHEUNG)

UNITS 01-09, 17TH FLOOR, PENINSULA SQUARE,
NO. 18 SUNG ON STREET, HUNGHOM, KOWLOON,
HONG KONG



[11] 1913261.8M001

[15] 21-03-2019

[30] 21-09-2018 / CN / 201830534660.7

[51] Cl. 8-07

[54] 智能鎖

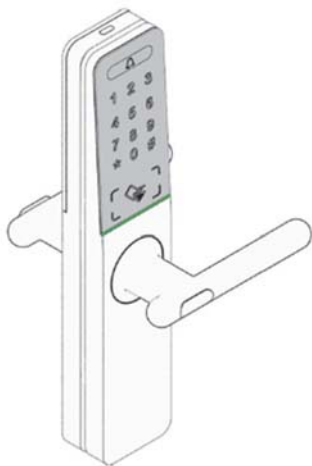
Smart lock

[73] SCHNEIDER ELECTRIC (AUSTRALIA) PTY LTD

78 WATERLOO ROAD
MACQUARIE PARK, NSW 2113
AUSTRALIA

[74] WENPING & CO

1701 Tung Wai Commercial Building,
111 Gloucester Road,
HONG KONG



[11] 1913261.8M002

[15] 21-03-2019

[30] 21-09-2018 / CN / 201830534660.7

[51] Cl. 8-07

[54] 智能鎖

Smart lock

[73] SCHNEIDER ELECTRIC (AUSTRALIA) PTY LTD

78 WATERLOO ROAD

MACQUARIE PARK, NSW 2113

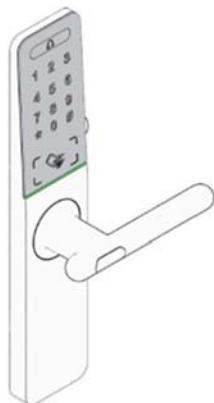
AUSTRALIA

[74] WENPING & CO

1701 Tung Wai Commercial Building,

111 Gloucester Road,

HONG KONG



[11] 1913261.8M003

[15] 21-03-2019

[30] 21-09-2018 / CN / 201830534660.7

[51] Cl. 8-07

[54] 智能鎖

Smart lock

[73] SCHNEIDER ELECTRIC (AUSTRALIA) PTY LTD

78 WATERLOO ROAD

MACQUARIE PARK, NSW 2113

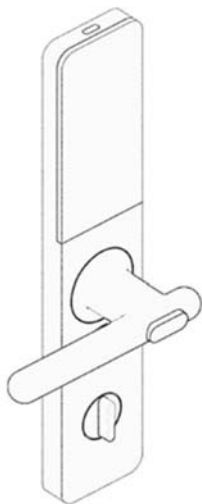
AUSTRALIA

[74] WENPING & CO

1701 Tung Wai Commercial Building,

111 Gloucester Road,

HONG KONG



[11] 1913262.0M001

[15] 21-03-2019

[30] 21-09-2018 / CN / 201830534467.3

[51] Cl. 8-07

[54] 智能鎖

Smart lock

[73] SCHNEIDER ELECTRIC (AUSTRALIA) PTY LTD

78 WATERLOO ROAD

MACQUARIE PARK, NSW 2113

AUSTRALIA

[74] WENPING & CO

1701 Tung Wai Commercial Building,

111 Gloucester Road,

HONG KONG



[11] 1913262.0M002

[15] 21-03-2019

[30] 21-09-2018 / CN / 201830534467.3

[51] Cl. 8-07

[54] 智能鎖

Smart lock

[73] SCHNEIDER ELECTRIC (AUSTRALIA) PTY LTD

78 WATERLOO ROAD

MACQUARIE PARK, NSW 2113

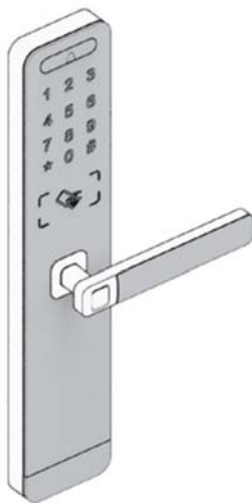
AUSTRALIA

[74] WENPING & CO

1701 Tung Wai Commercial Building,

111 Gloucester Road,

HONG KONG



[11] 1913262.0M003

[15] 21-03-2019

[30] 21-09-2018 / CN / 201830534467.3

[51] Cl. 8-07

[54] 智能鎖

Smart lock

[73] SCHNEIDER ELECTRIC (AUSTRALIA) PTY LTD

78 WATERLOO ROAD

MACQUARIE PARK, NSW 2113

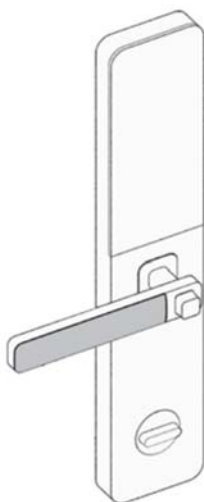
AUSTRALIA

[74] WENPING & CO

1701 Tung Wai Commercial Building,

111 Gloucester Road,

HONG KONG



[11] 1913263.2M001

[15] 21-03-2019

[30] 21-09-2018 / CN / 201830534502.1

[51] Cl. 8-07

[54] 智能鎖

Smart lock

[73] SCHNEIDER ELECTRIC (AUSTRALIA) PTY LTD

78 WATERLOO ROAD

MACQUARIE PARK, NSW 2113

AUSTRALIA

[74] WENPING & CO

1701 Tung Wai Commercial Building,

111 Gloucester Road,

HONG KONG



[11] 1913263.2M002

[15] 21-03-2019

[30] 21-09-2018 / CN / 201830534502.1

[51] Cl. 8-07

[54] 智能鎖

Smart lock

[73] SCHNEIDER ELECTRIC (AUSTRALIA) PTY LTD

78 WATERLOO ROAD

MACQUARIE PARK, NSW 2113

AUSTRALIA

[74] WENPING & CO

1701 Tung Wai Commercial Building,

111 Gloucester Road,

HONG KONG



[11] 1913263.2M003

[15] 21-03-2019

[30] 21-09-2018 / CN / 201830534502.1

[51] Cl. 8-07

[54] 智能鎖

Smart lock

[73] SCHNEIDER ELECTRIC (AUSTRALIA) PTY LTD

78 WATERLOO ROAD

MACQUARIE PARK, NSW 2113

AUSTRALIA

[74] WENPING & CO

1701 Tung Wai Commercial Building,

111 Gloucester Road,

HONG KONG



[11] 1913264.4

[15] 21-03-2019

[51] Cl. 25-02

[54] 水馬連屏風

Water barrier with screen

[73] 謝永君

中國內地

廣東省惠州市博羅縣 石灣鎮

大有村 8 號

[74] 香港知識產權顧問有限公司

香港

新界荃灣德士古道 120 號

安泰國際中心 17 樓 01 室



[11] 1913265.7

[15] 21-03-2019

[30] 19-12-2018 / JP / 027783 of 2018

[51] Cl. 21-01

[54] 立體金屬拼圖

3-Dimensional metallic puzzle

[73] 華山國際貿易有限公司

Hanayama International Trading Limited

Flat A,7/F

NO.1 Chatham Road South, Tsim Sha Tsui, Kowloon, HONG KONG

[74] Hanayama International Trading Limited (Attention to Cansi Wong)

Flat A,7/F,NO.1 Chatham Road South,

Tsim Sha Tsui, Kowloon

HONG KONG



[11] 1913267.1

- [15] 21-03-2019
- [51] Cl. 10-07
- [54] 錶面
Watch dial
- [73] 同點設計策劃有限公司
Todot Design & Planning Limited
Flat B, Floor 6, Cultural Creative Park
No. 63-69 Estrada dos Cavaleiros
MACAO
- [74] GLOBAL INTELLECTUAL PROPERTY COMPANY LIMITED
Unit 2205, 22/F Sino Plaza,
255-257 Gloucester Road, Causeway Bay,
HONG KONG



-
- [11] 1913268.3M001
- [15] 21-03-2019
- [30] 18-12-2018 / EU, MC, AL, AM, BZ, GE, BA, LI, MN, ME, MA, NO,
OM, MD, SG, CH, TN, UA, GB, TR, KG, MK / 78395
- [51] Cl. 11-01
- [54] 項鍊
Necklace
- [73] Harry Winston SA
Chemin du Tourbillon 8, CH-1228 Plan-les-Ouates,
SWITZERLAND
- [74] SPRUSON & FERGUSON (HONG KONG) LIMITED
5001 Hopewell Centre
183 Queen's Road East, Wan Chai
HONG KONG



[11] 1913268.3M002

[15] 21-03-2019

[30] 18-12-2018 / EU, MC, AL, AM, BZ, GE, BA, LI, MN, ME, MA, NO,
OM, MD, SG, CH, TN, UA, GB, TR, KG, MK / 78395

[51] Cl. 11-01

[54] 耳環

Earring

[73] Harry Winston SA

Chemin du Tourbillon 8, CH-1228 Plan-les-Ouates,
SWITZERLAND

[74] SPRUSON & FERGUSON (HONG KONG) LIMITED

5001 Hopewell Centre

183 Queen's Road East, Wan Chai

HONG KONG



[11] 1913268.3M003

[15] 21-03-2019

[30] 18-12-2018 / EU, MC, AL, AM, BZ, GE, BA, LI, MN, ME, MA, NO, OM, MD, SG, CH, TN, UA, GB, TR, KG, MK / 78395

[51] Cl. 11-01

[54] 手鏈

Bracelet

[73] Harry Winston SA

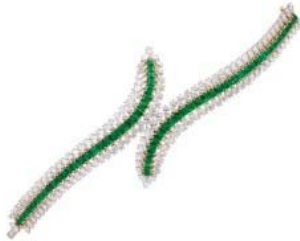
Chemin du Tourbillon 8, CH-1228 Plan-les-Ouates,
SWITZERLAND

[74] SPRUSON & FERGUSON (HONG KONG) LIMITED

5001 Hopewell Centre

183 Queen's Road East, Wan Chai

HONG KONG



[11] 1913268.3M004

[15] 21-03-2019

[30] 18-12-2018 / EU, MC, AL, AM, BZ, GE, BA, LI, MN, ME, MA, NO, OM, MD, SG, CH, TN, UA, GB, TR, KG, MK / 78395

[51] Cl. 11-01

[54] 手鏈

Bracelet

[73] Harry Winston SA

Chemin du Tourbillon 8, CH-1228 Plan-les-Ouates,
SWITZERLAND

[74] SPRUSON & FERGUSON (HONG KONG) LIMITED

5001 Hopewell Centre

183 Queen's Road East, Wan Chai

HONG KONG



[11] 1913268.3M005

[15] 21-03-2019

[30] 18-12-2018 / EU, MC, AL, AM, BZ, GE, BA, LI, MN, ME, MA, NO, OM, MD, SG, CH, TN, UA, GB, TR, KG, MK / 78395

[51] Cl. 11-01

[54] 手鏈

Bracelet

[73] Harry Winston SA

Chemin du Tourbillon 8, CH-1228 Plan-les-Ouates,
SWITZERLAND

[74] SPRUSON & FERGUSON (HONG KONG) LIMITED

5001 Hopewell Centre

183 Queen's Road East, Wan Chai

HONG KONG



[11] 1913270.7

[15] 22-03-2019

[51] Cl. 21-01

[54] 玩具車

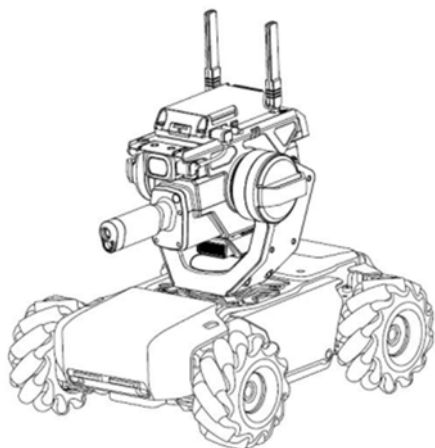
Toy car

[73] 深圳市大疆創新科技有限公司

中國內地

廣東省深圳市南山區高新區南區粵興一道 9 號
香港科大深圳產學研大樓 6 樓

- [74] 香港知識產權代理有限公司
香港 新界白石角香港科學園
第三期
科技大道西 12 號 2 樓 230 室



[11] 1913271.9M001

[15] 22-03-2019

[51] Cl. 11-02

[54] 植物盤

Plant Pot

[73] Chi Ho TSANG

13B, Block 18, South Horizons

Ap Lei Chau

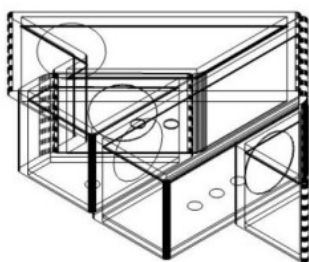
HONG KONG

[74] MARKS & CLERK

Level 9, Cyberport 1

100 Cyberport Road, Pok Fu Lam

HONG KONG



[11] 1913271.9M002

[15] 22-03-2019

[51] Cl. 11-02

[54] 植物盤

Plant Pot

[73] Chi Ho TSANG

13B, Block 18, South Horizons

Ap Lei Chau

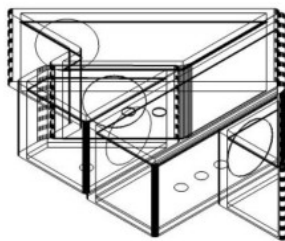
HONG KONG

[74] MARKS & CLERK

Level 9, Cyberport 1

100 Cyberport Road, Pok Fu Lam

HONG KONG



[11] 1913271.9M003

[15] 22-03-2019

[51] Cl. 11-02

[54] 植物盤

Plant Pot

[73] Chi Ho TSANG

13B, Block 18, South Horizons

Ap Lei Chau

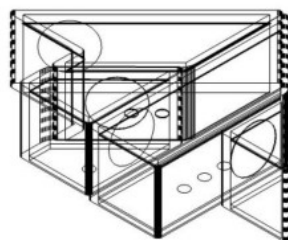
HONG KONG

[74] MARKS & CLERK

Level 9, Cyberport 1

100 Cyberport Road, Pok Fu Lam

HONG KONG



[11] 1913271.9M004

[15] 22-03-2019

[51] Cl. 11-02

[54] 植物盤

Plant Pot

[73] Chi Ho TSANG

13B, Block 18, South Horizons

Ap Lei Chau

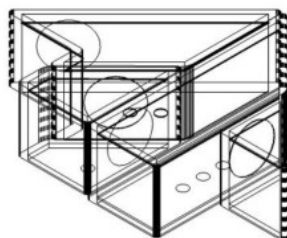
HONG KONG

[74] MARKS & CLERK

Level 9, Cyberport 1

100 Cyberport Road, Pok Fu Lam

HONG KONG



[11] 1913271.9M005

[15] 22-03-2019

[51] Cl. 11-02

[54] 植物盤

Plant Pot

[73] Chi Ho TSANG

13B, Block 18, South Horizons

Ap Lei Chau

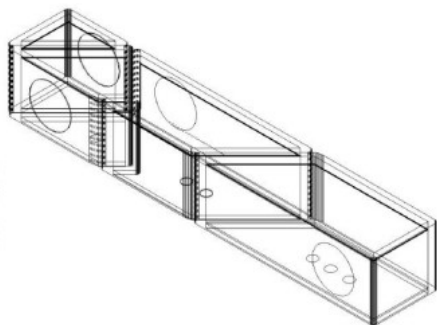
HONG KONG

[74] MARKS & CLERK

Level 9, Cyberport 1

100 Cyberport Road, Pok Fu Lam

HONG KONG



[11] 1913271.9M006

[15] 22-03-2019

[51] Cl. 11-02

[54] 植物盤

Plant Pot

[73] Chi Ho TSANG

13B, Block 18, South Horizons

Ap Lei Chau

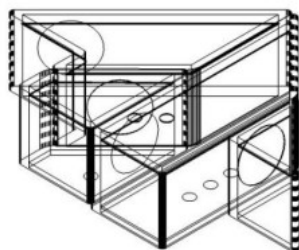
HONG KONG

[74] MARKS & CLERK

Level 9, Cyberport 1

100 Cyberport Road, Pok Fu Lam

HONG KONG



[11] 1913272.1M001

[15] 22-03-2019

[30] 29-09-2018 / EU / 005668522

[51] Cl. 31-00

[54] 食物處理器

Food processor

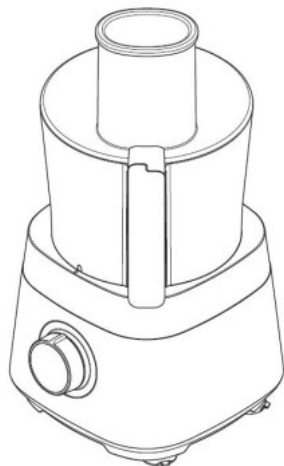
[73] Koninklijke Philips N.V.

High Tech Campus 5,

5656 AE, Eindhoven

NETHERLANDS

[74] WILKINSON & GRIST
6th Floor, Prince's Building
Chater Road
HONG KONG



[11] 1913272.1M002

[15] 22-03-2019

[30] 29-09-2018 / EU / 005668522

[51] Cl. 31-00

[54] 食物處理器

Food processor

[73] Koninklijke Philips N.V.

High Tech Campus 5,

5656 AE, Eindhoven

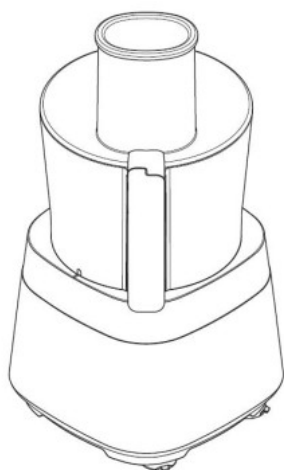
NETHERLANDS

[74] WILKINSON & GRIST

6th Floor, Prince's Building

Chater Road

HONG KONG



[11] 1913272.1M003

[15] 22-03-2019

[30] 29-09-2018 / EU / 005668522

[51] Cl. 31-00

[54] 食物處理器

Food processor

[73] Koninklijke Philips N.V.

High Tech Campus 5,

5656 AE, Eindhoven

NETHERLANDS

[74] WILKINSON & GRIST

6th Floor, Prince's Building

Chater Road

HONG KONG



[11] 1913272.1M004

[15] 22-03-2019

[30] 29-09-2018 / EU / 005668522

[51] Cl. 31-00

[54] 食物處理器

Food processor

[73] Koninklijke Philips N.V.

High Tech Campus 5,

5656 AE, Eindhoven

NETHERLANDS

[74] WILKINSON & GRIST

6th Floor, Prince's Building

Chater Road

HONG KONG



[11] 1913273.3

[15] 22-03-2019

[51] Cl. 21-01

[54] 玩具槍

Toy gun

[73] Buzz Bee Toys (HK) Co., Limited

Units 1206-1208, Tower B, New Mandarin Plaza

14 Science Museum Road, Tsim Sha Tsui East Kowloon

HONG KONG

[74] INCOMPASS IP LIMITED

532B, 5/F, Core Building 2, Phase One,

Hong Kong Science Park, Pak Shek Kok, HONG KONG

HONG KONG



[11] 1913274.5

[15] 22-03-2019

[51] Cl. 21-01

[54] 玩具槍的彈夾

Magazine for toy gun

[73] Buzz Bee Toys (HK) Co., Limited

Units 1206-1208, Tower B, New Mandarin Plaza

14 Science Museum Road, Tsim Sha Tsui East Kowloon

HONG KONG

[74] INCOMPASS IP LIMITED

532B, 5/F, Core Building 2, Phase One,

Hong Kong Science Park, Pak Shek Kok, HONG KONG

HONG KONG



[11] 1913275.8

[15] 22-03-2019

[51] Cl. 9-03

[54] 包裝盒

Packaging box

[73] 花王株式會社

Kao Kabushiki Kaisha (Kao Corporation)

14-10, Nihonbashi Kayaba-cho 1-chome, Chuo-ku,
Tokyo, JAPAN

[74] Oriental Intellectual Property Services Co.
Flat B, 38F, South Tower 3, Phase 2
Residence Bel-Air, Island South
HONG KONG



[11] 1913276.0

[15] 22-03-2019

[51] Cl. 2-03

[54] 溫熱眼罩

Hot Eye Mask

[73] 花王株式會社

Kao Kabushiki Kaisha (Kao Corporation)

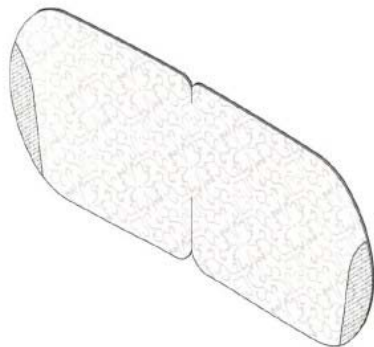
14-10, Nihonbashi Kayaba-cho 1-chome, Chuo-ku,
Tokyo, JAPAN

[74] Oriental Intellectual Property Services Co.

Flat B, 38F, South Tower 3, Phase 2

Residence Bel-Air, Island South

HONG KONG



[11] 1913277.2

[15] 22-03-2019

[51] Cl. 14-03

[54] 遙控器

Remote controller

[73] 深圳市大疆創新科技有限公司

中國內地

廣東省深圳市南山區 高新區

南區粵興一道 9 號

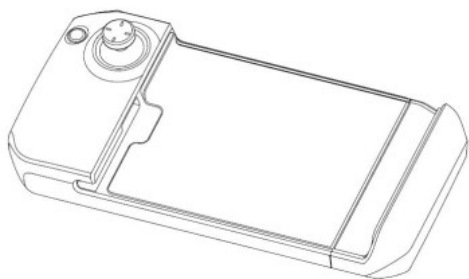
香港科大深圳產學研大樓 6 樓

[74] 香港知識產權代理有限公司

香港 新界白石角香港科學園

第三期

科技大道西 12 號 2 樓 230 室



[11] 1913278.4

[15] 22-03-2019

[51] Cl. 7-01

[54] 便攜式水壺

Portable water bottle

[73] 株式會社思利滿

SILLYMANN Co., Ltd.

116, DONYU 2-RO, PAJU-EUP, PAJU-SI

GYEONGGI-DO, REPUBLIC OF KOREA

REPUBLIC OF KOREA

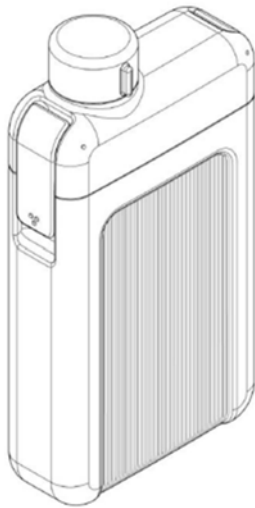
[74] SANYOU INTERNATIONAL INTELLECTUAL PROPERTY AGENCY (HONG KONG)

LIMITED

ROOM 601, 6/F., YUE XIU BUILDING

160-174 LOCKHART ROAD, WANCHAI

HONG KONG



[11] 1913282.2

[15] 25-03-2019

[30] 09-10-2018 / DE / 40 2018 101 006.5

[51] Cl. 21-01

[54] 玩具汽車

Toy vehicle

[73] VOLKSWAGEN AKTIENGESELLSCHAFT

38436 WOLFSBURG

GERMANY

[74] CHINA PATENT AGENT (HONG KONG) LIMITED

22/F, Great Eagle Centre, 23 Harbour Road, Wanchai

HONG KONG



[11] 1913283.4

[15] 25-03-2019

[30] 09-10-2018 / DE / 40 2018 101 008.1

[51] Cl. 21-01

[54] 玩具汽車

Toy vehicle

[73] VOLKSWAGEN AKTIENGESELLSCHAFT

38436 WOLFSBURG

GERMANY

[74] CHINA PATENT AGENT (HONG KONG) LIMITED

22/F, Great Eagle Centre, 23 Harbour Road, Wanchai

HONG KONG



[11] 1913284.6M001

[15] 25-03-2019

[30] 09-10-2018 / DE / 40 2018 101 006.5

[51] Cl. 12-08

[54] 汽車

Motor vehicle

[73] VOLKSWAGEN AKTIENGESELLSCHAFT

38436 WOLFSBURG

GERMANY

[74] CHINA PATENT AGENT (HONG KONG) LIMITED

22/F, Great Eagle Centre, 23 Harbour Road, Wanchai

HONG KONG



[11] 1913284.6M002

[15] 25-03-2019

[30] 09-10-2018 / DE / 40 2018 101 006.5

[51] Cl. 12-08

[54] 汽車

Motor vehicle

[73] VOLKSWAGEN AKTIENGESELLSCHAFT

38436 WOLFSBURG

GERMANY

[74] CHINA PATENT AGENT (HONG KONG) LIMITED

22/F, Great Eagle Centre, 23 Harbour Road, Wanchai

HONG KONG



[11] 1913284.6M003

[15] 25-03-2019

[30] 09-10-2018 / DE / 40 2018 101 006.5

[51] Cl. 12-08

[54] 汽車

Motor vehicle

[73] VOLKSWAGEN AKTIENGESELLSCHAFT

38436 WOLFSBURG

GERMANY

[74] CHINA PATENT AGENT (HONG KONG) LIMITED

22/F, Great Eagle Centre, 23 Harbour Road, Wanchai

HONG KONG



[11] 1913285.9M001

[15] 25-03-2019

[30] 09-10-2018 / DE / 40 2018 101 008.1

[51] Cl. 12-08

[54] 汽車

Motor vehicle

[73] VOLKSWAGEN AKTIENGESELLSCHAFT

38436 WOLFSBURG

GERMANY

[74] CHINA PATENT AGENT (HONG KONG) LIMITED

22/F, Great Eagle Centre, 23 Harbour Road, Wanchai

HONG KONG



[11] 1913285.9M002

[15] 25-03-2019

[30] 09-10-2018 / DE / 40 2018 101 008.1

[51] Cl. 12-08

[54] 汽車

Motor vehicle

[73] VOLKSWAGEN AKTIENGESELLSCHAFT

38436 WOLFSBURG

GERMANY

[74] CHINA PATENT AGENT (HONG KONG) LIMITED

22/F, Great Eagle Centre, 23 Harbour Road, Wanchai

HONG KONG



[11] 1913285.9M003

[15] 25-03-2019

[30] 09-10-2018 / DE / 40 2018 101 008.1

[51] Cl. 12-08

[54] 汽車

Motor vehicle

[73] VOLKSWAGEN AKTIENGESELLSCHAFT

38436 WOLFSBURG

GERMANY

[74] CHINA PATENT AGENT (HONG KONG) LIMITED

22/F, Great Eagle Centre, 23 Harbour Road, Wanchai

HONG KONG



[11] 1913286.1

[15] 25-03-2019

[51] Cl. 3-01

[54] 袋

Bag

[73] LOUIS VUITTON MALLETIER

2, rue du Pont-Neuf 75001 Paris,

FRANCE

[74] BAKER & MCKENZIE

14th Floor, One Taikoo Place

979 King's Road, Quarry Bay

HONG KONG



[11] 1913287.3

[15] 25-03-2019

[51] Cl. 3-01

[54] 袋

Bag

[73] LOUIS VUITTON MALLETIER

2, rue du Pont-Neuf 75001 Paris,
FRANCE

[74] BAKER & MCKENZIE

14th Floor, One Taikoo Place
979 King's Road, Quarry Bay
HONG KONG



[11] 1913288.5

[15] 25-03-2019

[51] Cl. 26-02

[54] 長頸鹿形燈

Giraffe shaped torch

[73] ZAZU HOLDING LIMITED

FLOOR 14, HANG WAI COMM BLDG.,
231-233 QUEENS ROAD EAST, WANCHAI
HONG KONG

[74] ZAZU HOLDING LIMITED

FLOOR 14, HANG WAI COMM BLDG.,
231-233 QUEENS ROAD EAST, WANCHAI
HONG KONG



[11] 1913289.7

[15] 25-03-2019

[51] Cl. 26-05

[54] 閱讀及夜燈

READING AND NIGHT LIGHT

[73] ZAZU HOLDING LIMITED

FLOOR 14, HANG WAI COMM BLDG.,

231-233 QUEENS ROAD EAST, WANCHAI

HONG KONG

[74] ZAZU HOLDING LIMITED

FLOOR 14, HANG WAI COMM BLDG.,

231-233 QUEENS ROAD EAST, WANCHAI

HONG KONG



[11] 1913290.9

[15] 25-03-2019

[51] Cl. 26-05

[54] 不倒翁燈

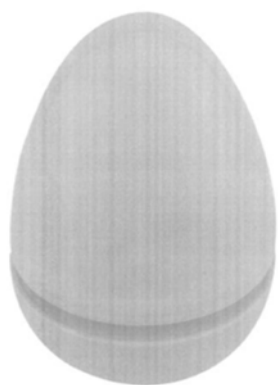
Tumbler light

[73] ZAZU HOLDING LIMITED

FLOOR 14, HANG WAI COMM BLDG.,
231-233 QUEENS ROAD EAST, WANCHAI
HONG KONG

[74] ZAZU HOLDING LIMITED

FLOOR 14, HANG WAI COMM BLDG.,
231-233 QUEENS ROAD EAST, WANCHAI
HONG KONG



[11] 1913292.3M001

[15] 25-03-2019

[30] 31-10-2018 / JP / 2018 of 024005

[51] Cl. 23-04

[54] 空調機

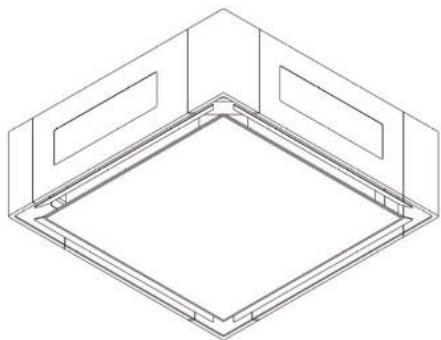
Air conditioner

[73] Daikin Kohgyo Kabushiki Gaisha (Daikin Industries Ltd.)

Umeda Center Building, 4-12 Nakazaki-Nishi 2-
chome, Kita-ku, Osaka-shi
Osaka-fu, JAPAN

[74] MARKS & CLERK

Level 9, Cyberport 1
100 Cyberport Road, Pok Fu Lam
HONG KONG



[11] 1913292.3M002

[15] 25-03-2019

[30] 31-10-2018 / JP / 2018 of 024006

[51] Cl. 23-04

[54] 空調機

Air conditioner

[73] Daikin Kohgyo Kabushiki Gaisha (Daikin Industries Ltd.)

Umeda Center Building, 4-12 Nakazaki-Nishi 2-

chome, Kita-ku, Osaka-shi

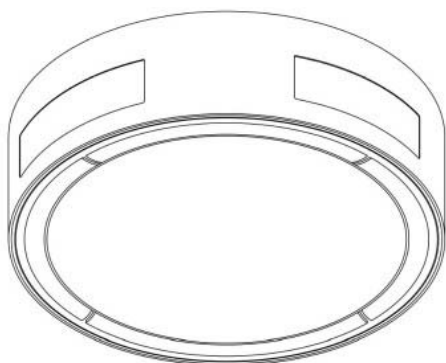
Osaka-fu, JAPAN

[74] MARKS & CLERK

Level 9, Cyberport 1

100 Cyberport Road, Pok Fu Lam

HONG KONG



[11] 1913292.3M003

[15] 25-03-2019

[30] 31-10-2018 / JP / 2018 of 024007

[51] Cl. 23-04

[54] 空調機

Air conditioner

[73] Daikin Kohgyo Kabushiki Gaisha (Daikin Industries Ltd.)

Umeda Center Building, 4-12 Nakazaki-Nishi 2-
chome, Kita-ku, Osaka-shi

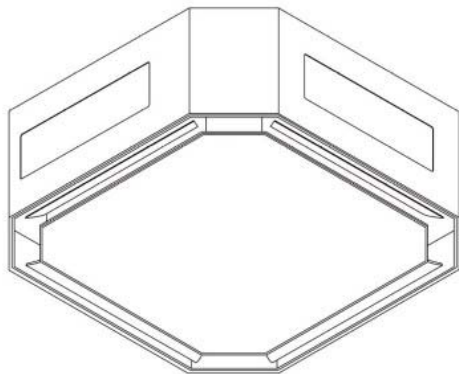
Osaka-fu, JAPAN

[74] MARKS & CLERK

Level 9, Cyberport 1

100 Cyberport Road, Pok Fu Lam

HONG KONG



[11] 1913293.5

[15] 25-03-2019

[51] Cl. 12-08

[54] 電動車

Electric Car

[73] 大灣區汽車集團有限公司

Greater Bay Area Car Holdings Limited

18/F, CCT Telecom Building

11 Wo Shing Street, Fotan, Shatin, NT

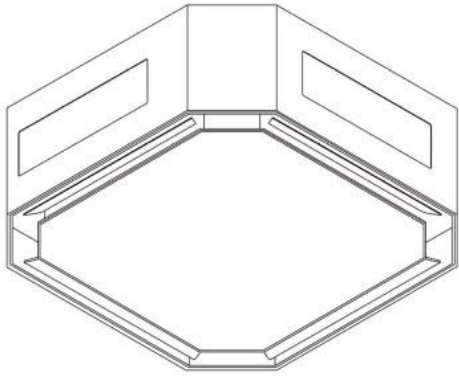
HONG KONG

[74] GLOBAL INTELLECTUAL PROPERTY COMPANY LIMITED

Unit 2205, 22/F Sino Plaza,

255-257 Gloucester Road, Causeway Bay,

HONG KONG



[11] 1913295.0

[15] 25-03-2019

[51] Cl. 11-01

[54] 鑽石切面珍珠

Diamond faceted pearl

[73] 朱曉峰

澳門

臺山巴波沙大馬路

新城市花園 15 座鴻圖閣 8 樓 c 室

[74] 環球知識產權代理有限公司

香港

九龍尖沙咀東麼地道 62 號

永安廣場 12 樓 1213 室



[11] 1913296.2

[15] 25-03-2019

[51] Cl. 28-03

[54] 腳部按摩裝置

Foot Massager

[73] 蔡焯杰

CAI Weijie

65 UBI AVENUE 1

SINGAPORE 408939

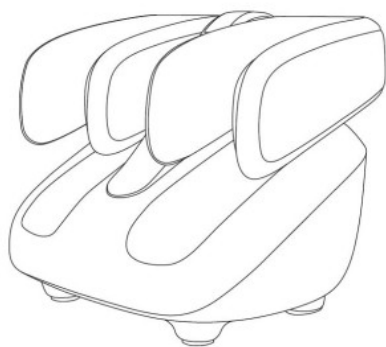
SINGAPORE

[74] BAKER & MCKENZIE

14th Floor, One Taikoo Place

979 King's Road, Quarry Bay

HONG KONG



[11] 1913297.4

[15] 25-03-2019

[51] Cl. 21-01

[54] 公仔

Figure

[73] 現代小學士有限公司

Modern Bachelor Education Limited

香港

九龍灣宏照道 33 號

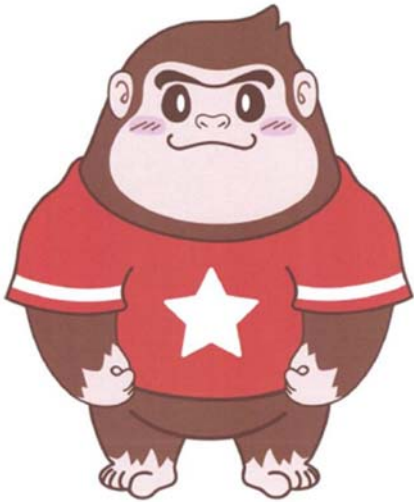
國際交易中心 10 樓 1012&1015 室

[74] 現代小學士有限公司

香港

九龍灣宏照道 33 號

國際交易中心 10 樓 1012&1015 室



[11] 1913299.8

[15] 25-03-2019

[51] Cl. 23-02

[54] 坐廁

Water Closet

[73] Arnhold & Co., Ltd.

6/F., Victoria Centre

15 Watson Road, North Point

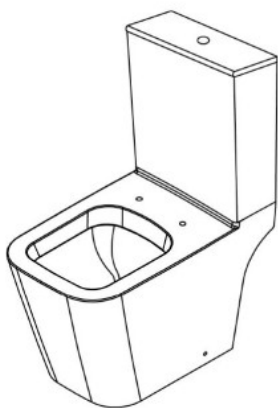
HONG KONG

[74] IDEA INTELLECTUAL LIMITED

21st Floor, Skyway Centre

23 Queen's Road West, Sheung Wan

HONG KONG



[11] 1913301.4

[15] 26-03-2019

[30] 27-01-2019 / CN / 201930046088.4

[51] Cl. 20-02

[54] 展示結構

Display structure

[73] 袁見蘭

Yuan Jian Lan

中國內地 廣州市

天河區

華就路 6 號之一 2902 房

[74] 江炳滔知識產權有限公司

香港

告士打道 160 號 海外信託

銀行大廈 19B 室



[11] 1913302.6

[15] 26-03-2019

[30] 09-10-2018 / DE / 402018101005.7

[51] Cl. 21-01

[54] 玩具汽車

Toy vehicle

[73] VOLKSWAGEN AKTIENGESELLSCHAFT

38436 WOLFSBURG

GERMANY

[74] CHINA PATENT AGENT (HONG KONG) LIMITED

22/F, Great Eagle Centre, 23 Harbour Road, Wanchai

HONG KONG



[11] 1913303.8M001

[15] 26-03-2019

[30] 09-10-2018 / DE / 40 2018 101 005.7

[51] Cl. 12-08

[54] 汽車

Motor vehicle

[73] VOLKSWAGEN AKTIENGESELLSCHAFT

38436 WOLFSBURG

GERMANY

[74] CHINA PATENT AGENT (HONG KONG) LIMITED

22/F, Great Eagle Centre, 23 Harbour Road, Wanchai

HONG KONG



[11] 1913303.8M002

[15] 26-03-2019

[30] 09-10-2018 / DE / 40 2018 101 005.7

[51] Cl. 12-08

[54] 汽車

Motor vehicle

[73] VOLKSWAGEN AKTIENGESELLSCHAFT

38436 WOLFSBURG

GERMANY

[74] CHINA PATENT AGENT (HONG KONG) LIMITED

22/F, Great Eagle Centre, 23 Harbour Road, Wanchai

HONG KONG



[11] 1913303.8M003

[15] 26-03-2019

[30] 09-10-2018 / DE / 40 2018 101 005.7

[51] Cl. 12-08

[54] 汽車

Motor vehicle

[73] VOLKSWAGEN AKTIENGESELLSCHAFT

38436 WOLFSBURG

GERMANY

[74] CHINA PATENT AGENT (HONG KONG) LIMITED

22/F, Great Eagle Centre, 23 Harbour Road, Wanchai

HONG KONG



[11] 1913308.9M001

[15] 27-03-2019

[30] 25-10-2018 / DE / 40 2018 101 093.6

[51] Cl. 12-08

[54] 汽車

Motor vehicle

[73] VOLKSWAGEN AKTIENGESELLSCHAFT

38436 WOLFSBURG

GERMANY

[74] CHINA PATENT AGENT (HONG KONG) LIMITED

22/F, Great Eagle Centre, 23 Harbour Road, Wanchai

HONG KONG



[11] 1913308.9M002

[15] 27-03-2019

[30] 25-10-2018 / DE / 40 2018 101 093.6

[51] Cl. 12-08

[54] 汽車

Motor vehicle

[73] VOLKSWAGEN AKTIENGESELLSCHAFT

38436 WOLFSBURG

GERMANY

[74] CHINA PATENT AGENT (HONG KONG) LIMITED

22/F, Great Eagle Centre, 23 Harbour Road, Wanchai

HONG KONG



[11] 1913308.9M003

[15] 27-03-2019

[30] 25-10-2018 / DE / 40 2018 101 093.6

[51] Cl. 12-08

[54] 汽車

Motor vehicle

[73] VOLKSWAGEN AKTIENGESELLSCHAFT

38436 WOLFSBURG

GERMANY

[74] CHINA PATENT AGENT (HONG KONG) LIMITED

22/F, Great Eagle Centre, 23 Harbour Road, Wanchai

HONG KONG



[11] 1913411.7

[15] 09-04-2019

[30] 14-02-2019 / KR / 30-2019-0006599

[51] Cl. 3-01

[54] 包

Bag

[73] 314HORNET CO., LTD.

45, Gyeonghuigung-gil, Jongno-gu,

Seoul 03176

KOREA, REPUBLIC OF

[74] MARKS & CLERK

Level 9, Cyberport 1

100 Cyberport Road, Pok Fu Lam

HONG KONG





香港特別行政區政府知識產權署外觀設計註冊處

The Government of the Hong Kong Special Administrative Region

Designs Registry, Intellectual Property Department

根據註冊外觀設計條例第28條，下列註冊外觀設計因未繳續期費而停止有效。各組記項按註冊外觀設計停止有效日期及註冊編號先後次序排列。

Registered designs ceased through non-payment of renewal fees under section 28 of the Registered Designs Ordinance. Entries are listed below under their expiry dates.

09-08-2019 - 14-08-2019

09-08-2019	1401490.4	13-08-2019
0411773.5M001	1401491.6	0901300.6
0411773.5M002	1401492.8	0901301.8M001
0411773.5M003		0901301.8M002
0901267.5	12-08-2019	0901301.8M003
0901271.3	0901288.9	1401505.9M002
0901272.5	0901291.5M001	1401507.3
0901273.7	0901291.5M002	1401510.9M001
0901275.2	0901291.5M003	1401510.9M003
0901279.0	0901291.5M004	1401510.9M004
0901280.2M001	0901291.5M005	1401510.9M005
0901280.2M004	0901291.5M006	1401510.9M006
	0901291.5M007	1401510.9M007
10-08-2019	0901291.5M008	1401510.9M008
1401468.8	0901291.5M009	1401510.9M009
1401469.0	0901291.5M010	1401511.1M001
1401470.2	0901291.5M011	1401511.1M002
1401475.3M002	0901291.5M012	
1401475.3M003	0901291.5M013	14-08-2019
1401475.3M004	0901291.5M014	1401513.5
1401475.3M006	0901291.5M015	1401519.8
	0901291.5M016	1401520.0
11-08-2019	0901291.5M017	1401521.2
0411789.9	1401437.3	1401522.4
1401476.5	1401494.2	
1401477.7	1401495.5	
1401478.9	1401496.7	
1401479.1	1401498.1	
1401480.3	1401499.3M001	
1401483.9	1401499.3M002	
1401484.1M001	1401499.3M003	
1401484.1M002	1401500.8	
1401485.4	1401501.0	
1401486.6		



香港特別行政區政府知識產權署外觀設計註冊處

The Government of the Hong Kong Special Administrative Region

Designs Registry, Intellectual Property Department

根據註冊外觀設計規則第31條刪除的註冊外觀設計。各組記項按註冊外觀設計 刪除日期及註冊編號先後次序排列。

Registered designs removed under section 31 of the Registered Designs Rules. Entries are listed below under their removal dates.

17-08-2019 - 21-08-2019

17-08-2019	0410291.1M009	0410293.5M013
1400214.9	0410291.1M010	0410293.5M014
1400215.2	0410291.1M011	0410293.5M015
1400223.8	0410291.1M012	1400238.0
1400224.0	0410291.1M013	1400240.4

	0410291.1M014	1400241.6
--	---------------	-----------

18-08-2019	0410291.1M015	1400242.8
-------------------	---------------	-----------

0410275.8M001	0410292.3M001	1400243.0
---------------	---------------	-----------

0410275.8M002	0410292.3M002	1400244.2
---------------	---------------	-----------

1400225.3	0410292.3M003	1400245.5
-----------	---------------	-----------

1400227.7M001	0410292.3M004	1400246.7
---------------	---------------	-----------

1400227.7M002	0410292.3M005	1400247.9
---------------	---------------	-----------

1400228.9M002	0410292.3M006	1400248.1
---------------	---------------	-----------

1400229.1M001	0410292.3M007	9910209.3
---------------	---------------	-----------

1400229.1M002	0410292.3M008	
---------------	---------------	--

1400230.3	0410292.3M009	20-08-2019
-----------	---------------	-------------------

1400231.5	0410292.3M010	0410298.6
-----------	---------------	-----------

1400232.7	0410292.3M011	0900222.9
-----------	---------------	-----------

1400233.9	0410292.3M012	0900225.6
-----------	---------------	-----------

1400234.1	0410292.3M013	0900226.8
-----------	---------------	-----------

1400236.6M001	0410292.3M014	0900227.0
---------------	---------------	-----------

1400236.6M002	0410292.3M015	0900228.2
---------------	---------------	-----------

1400236.6M003	0410293.5M001	0900232.0M001
---------------	---------------	---------------

1400236.6M004	0410293.5M002	0900232.0M002
---------------	---------------	---------------

1400236.6M005	0410293.5M003	0900232.0M003
---------------	---------------	---------------

	0410293.5M004	1400250.5M001
--	---------------	---------------

19-08-2019	0410293.5M005	1400250.5M002
-------------------	---------------	---------------

0410291.1M001	0410293.5M006	1400250.5M003
---------------	---------------	---------------

0410291.1M002	0410293.5M007	1400250.5M004
---------------	---------------	---------------

0410291.1M003	0410293.5M008	1400250.5M005
---------------	---------------	---------------

0410291.1M004	0410293.5M009	1400250.5M006
---------------	---------------	---------------

0410291.1M005	0410293.5M010	1400250.5M007
---------------	---------------	---------------

0410291.1M007	0410293.5M011	1400250.5M008
---------------	---------------	---------------

0410291.1M008	0410293.5M012	1400250.5M009
---------------	---------------	---------------

1400250.5M010

1400250.5M011

1400250.5M012

1400252.9M001

1400252.9M002

21-08-2019

1400257.0

1400260.6

1400264.4