

香港知識產權公報

Hong Kong Intellectual Property Journal

2021年1月8日
08 January 2021



目錄 Contents

根據註冊外觀設計條例第 25 條註冊的外觀設計

Designs Registered under section 25 of the Registered Designs Ordinance

按註冊編號排列

Arranged by Registration Number

根據註冊外觀設計條例(第 522 章)公布的其他公告

Other Notices Published under the Registered Designs Ordinance (Cap. 522)

根據註冊外觀設計條例第 28 條, 註冊外觀設計因未繳續期費而停止有效

Registered designs ceased through non-payment of renewal fees under section 28 of the Registered Designs Ordinance

根據註冊外觀設計規則第 31 條刪除的註冊外觀設計

Registered designs removed under section 31 of the Registered Designs Rules

以下事項沒有記錄

No Records for the Following Matters

根據註冊外觀設計條例第 30 條放棄的外觀設計的註冊

Surrender of Registration of Design under section 30 of the Registered Designs Ordinance

根據註冊外觀設計規則第 37 條, 向處長作出轉介

Reference to Registrar under section 37 of the Registered Designs Rules

根據註冊外觀設計條例第 45 條, 撤銷註冊

Revocation of Registration under section 45 of the Registered Designs Ordinance

根據註冊外觀設計規則第 46 條，向法院作出轉介

Reference to Court under section 46 of the Registered Designs Rules

根據註冊外觀設計規則第 63 條對不符合規定之處作出糾正

Rectification of Irregularities under section 63 of the Registered Designs Rules

根據註冊外觀設計條例第 66 條，糾正註冊紀錄冊

Rectification of Register under section 66 of the Registered Designs Ordinance

根據註冊外觀設計條例第 67 條 更正註冊紀錄冊內的錯誤

Correction of errors in Register under section 67 of the Registered Designs Ordinance

根據註冊外觀設計條例第 67 及 76 條，更正註冊紀錄冊內及已提交文件中的錯誤

Correction of Errors in Register and in Filed Documents under sections 67 and 76 of the Registered Designs Ordinance

根據註冊外觀設計條例第 76 條，更正已提交文件中的錯誤

Correction of errors in filed documents under section 76 of the Registered Designs Ordinance

勘誤

Corrigendum

註冊外觀設計公告註釋

Notes on advertisements of registration of designs

方括號表示下列資料：

Square brackets indicate the following data：

[11] 註冊編號 Registration number / 聯合王國註冊編號 United Kingdom registration number

[15] 註冊日期 Registration date / 當作註冊日期 Deemed registration date / 聯合王國註冊日期 United Kingdom registration date

[17] 註冊有效期屆滿日期 Expiry date of the period of registration

[22] 提交日期 Filing date / 當作提交日期 Deemed filing date / 聯合王國提交日期 United Kingdom filing date

[30] 聲稱享有的優先權（提交日期 / 巴黎公約國或世界貿易組織成員 / 申請編號） Priority claimed (filing date / Paris Convention country or WTO member / application number)

[51] 國際外觀設計分類號（洛迦諾分類號） International Classification of designs (Locarno Classification)

[54] 物品 Article

[55] 外觀設計的表述 Representation of the design

[62] 分開前的申請編號及提交日期 Application number before division and filing date

[66] 過往註冊的聯繫外觀設計註冊編號 / 日期 Registration No. / Date of Previous Registration for Association

[72] 設計人 Designer

[73] 擁有人姓名和地址 Name and address of the owner

[74] 代理人 Agent /送達地址 Address for service



香港特別行政區政府知識產權署外觀設計註冊處

The Government of the Hong Kong Special Administrative Region

Designs Registry, Intellectual Property Department

根據註冊外觀設計條例第 25 條註冊的外觀設計

Designs registered under section 25 of the Registered Designs Ordinance

按註冊編號排列

Arranged by Registration Number

[11] 2016575.1

[15] 28-07-2020

[51] Cl. 14-99

[54] 磁吸連接器母座

Magnetic connector female seat

[73] 深圳市泰科漢澤精密電子有限公司

中國內地

廣東省深圳市寶安區石岩街道水田社區

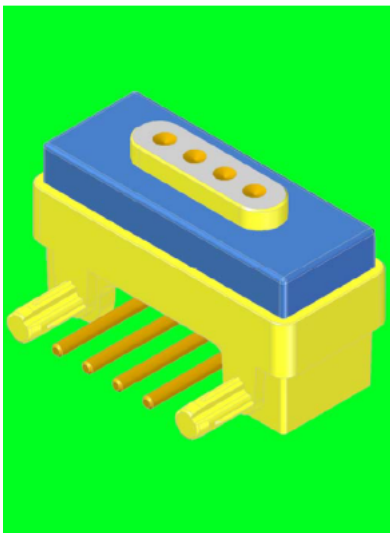
祝龍田路 51 號廠房二層、三層、四層、五層

[74] 商專國際知識產權事務所有限公司

香港九龍

旺角花園街 2-16 號

好景商業中心 10 樓 1005 室 (B)



[11] 2016659.9

[15] 14-08-2020

[30] 23-07-2020 / CN / 202030412543.0

[51] Cl. 24-01

[54] 紫外燈

UV lamp

[73] 深圳市中電照明股份有限公司

CE LIGHTING LTD.

中國內地

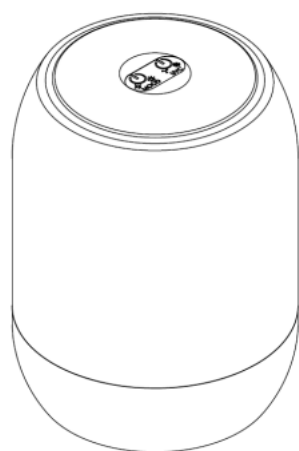
深圳市南山區高新技術產業園區（南區）科技南 12 路照明中心

[74] 精英知識產權服務有限公司

香港九龍

彌敦道 695 號

永如大廈 12 字樓



[11] 2016708.4

[15] 26-08-2020

[30] 10-04-2020 / CN / 202030138412.8

[51] Cl. 14-03

[54] 藍牙適配器

Bluetooth adapter

[73] 北京海益同展信息科技有限公司

BEIJING HAI YI TONG ZHAN INFORMATION TECHNOLOGY CO., LTD.

中國內地

北京市北京經濟技術開發區科創十一街 18 號院

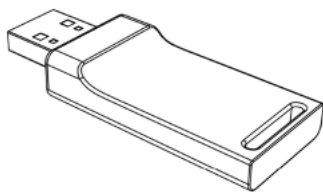
2 號樓 6 層 601

[74] 隆天專利商標代理有限公司

香港長沙灣

青山道 485 號

九龍廣場 10 樓 11 室



[11] 2016748.8

[15] 31-08-2020

[30] 27-05-2020 / CN / 202030253208.0

[51] Cl. 24-01

[54] 扶手殺毒裝置

Handrail sterilizing device

[73] 科里亞文株式會社

Clear Win Co.,Ltd

122, Jomaru-ro 385beon-gil,

Bucheon-si, Gyeonggi-do, 14556,

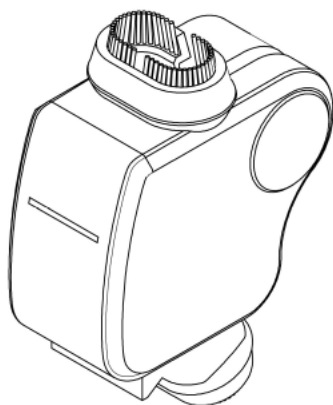
Korea, Republic of

[74] WENPING PATENT & TRADE MARK AGENT LIMITED

1701 Tung Wai Commercial Building,

111 Gloucester Road,

Hong Kong

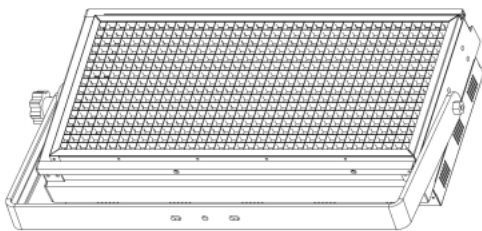


[11] 2016805.0

[15] 10-09-2020

[51] Cl. 24-01

- [54] 紫外光殺菌燈
Ultraviolet germicidal light
- [73] 佛山市飛達影視器材有限公司
Phida Stage Equipment Company Limited
中國內地
廣東省佛山市禪城區
環市江邊西約工業區四排 12 號
- [74] 百睿知識產權有限公司
香港新界
沙田香港科學園
科技大道西 10 號浚湖樓 617 室



-
- [11] 2016811.2
- [15] 11-09-2020
- [51] Cl. 10-02
- [54] 香薰可互換吊墜手錶
Aroma inter-changeable pendant
- [73] 盟偉企業有限公司
Emitex Limited
Unit 6D, 7/F, Block B, Hong Kong Industrial Center,
489-491 Castle Peak Road,
Cheung Sha Wan, Kowloon, Hong Kong
- [74] Emitex Limited
Unit 6D, 7/F, Block B, Hong Kong Industrial Center,
489-491 Castle Peak Road,
Cheung Sha Wan, Kowloon, Hong Kong



[11] 2016836.5M001

[15] 17-09-2020

[30] 17-03-2020 / US / 29/728,326

[51] Cl. 3-01

[54] 具有鍵盤的套

Cover with keyboard

[73] 蘋果公司

APPLE INC.

One Apple Park Way,

Cupertino, California 95014,

United States

[74] CLT PATENT & TRADEMARK (H.K.) LIMITED

Unit 09, 34/F., Office Tower, Convention Plaza,

No. 1 Harbour Road,

Wanchai, Hong Kong



[11] 2016836.5M002

[15] 17-09-2020

[30] 17-03-2020 / US / 29/728,326

[51] Cl. 3-01

[54] 具有鍵盤的套

Cover with keyboard

[73] 蘋果公司

APPLE INC.

One Apple Park Way,

Cupertino, California 95014,

United States

[74] CLT PATENT & TRADEMARK (H.K.) LIMITED

Unit 09, 34/F., Office Tower, Convention Plaza,

No. 1 Harbour Road,

Wanchai, Hong Kong



[11] 2016836.5M003

[15] 17-09-2020

[30] 17-03-2020 / US / 29/728,326

[51] Cl. 3-01

[54] 具有鍵盤的套

Cover with keyboard

[73] 蘋果公司

APPLE INC.

One Apple Park Way,

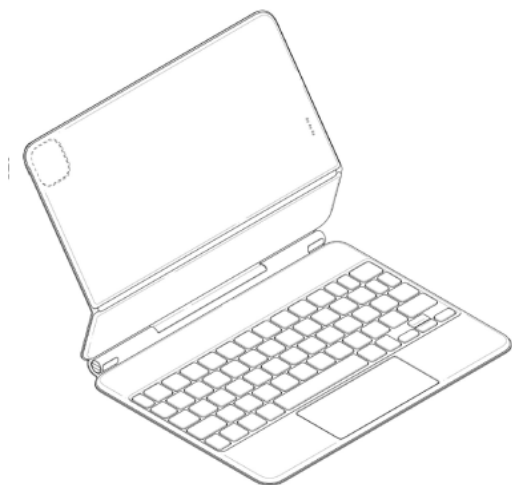
Cupertino, California 95014,

United States

[74] CLT PATENT & TRADEMARK (H.K.) LIMITED

Unit 09, 34/F., Office Tower, Convention Plaza,

No. 1 Harbour Road,
Wanchai, Hong Kong



[11] 2016836.5M004

[15] 17-09-2020

[30] 17-03-2020 / US / 29/728,326

[51] Cl. 3-01

[54] 套

Cover

[73] 蘋果公司

APPLE INC.

One Apple Park Way,

Cupertino, California 95014,

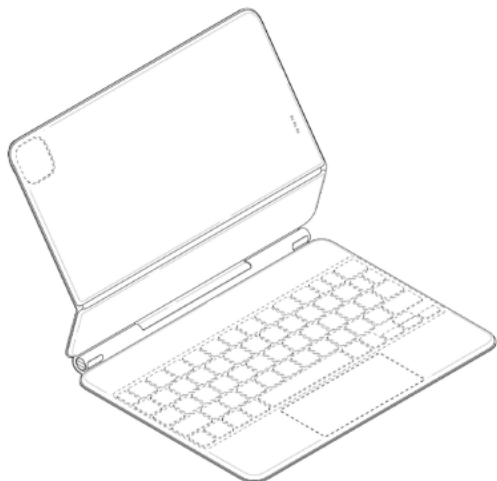
United States

[74] CLT PATENT & TRADEMARK (H.K.) LIMITED

Unit 09, 34/F., Office Tower, Convention Plaza,

No. 1 Harbour Road,

Wanchai, Hong Kong



[11] 2016836.5M005

[15] 17-09-2020

[30] 17-03-2020 / US / 29/728,326

[51] Cl. 3-01

[54] 具有鍵盤的套

Cover with keyboard

[73] 蘋果公司

APPLE INC.

One Apple Park Way,

Cupertino, California 95014,

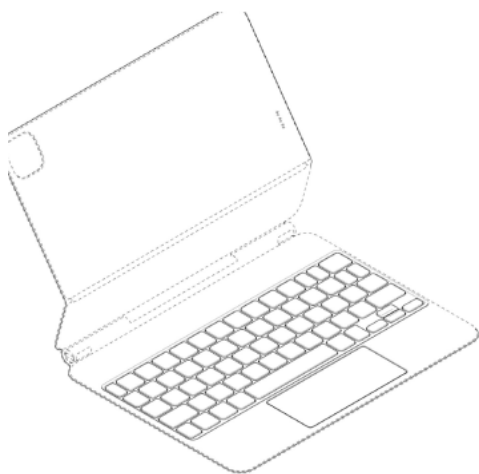
United States

[74] CLT PATENT & TRADEMARK (H.K.) LIMITED

Unit 09, 34/F., Office Tower, Convention Plaza,

No. 1 Harbour Road,

Wanchai, Hong Kong



[11] 2016836.5M006

[15] 17-09-2020

[30] 17-03-2020 / US / 29/728,326

[51] Cl. 3-01

[54] 具有鍵盤的套

Cover with keyboard

[73] 蘋果公司

APPLE INC.

One Apple Park Way,

Cupertino, California 95014,

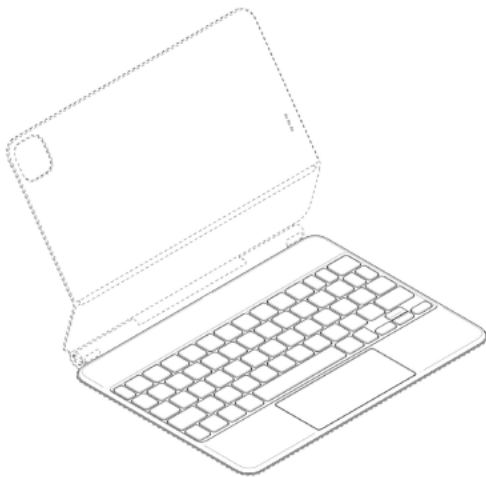
United States

[74] CLT PATENT & TRADEMARK (H.K.) LIMITED

Unit 09, 34/F., Office Tower, Convention Plaza,

No. 1 Harbour Road,

Wanchai, Hong Kong



[11] 2016836.5M007

[15] 17-09-2020

[30] 17-03-2020 / US / 29/728,326

[51] Cl. 3-01

[54] 具有鍵盤的套

Cover with keyboard

[73] 蘋果公司

APPLE INC.

One Apple Park Way,

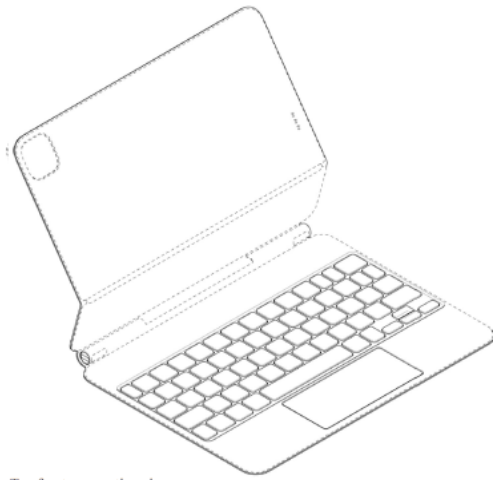
Cupertino, California 95014,

United States

[74] CLT PATENT & TRADEMARK (H.K.) LIMITED

Unit 09, 34/F., Office Tower, Convention Plaza,

No. 1 Harbour Road,
Wanchai, Hong Kong



[11] 2016836.5M008

[15] 17-09-2020

[30] 17-03-2020 / US / 29/728,326

[51] Cl. 3-01

[54] 套

Cover

[73] 蘋果公司

APPLE INC.

One Apple Park Way,

Cupertino, California 95014,

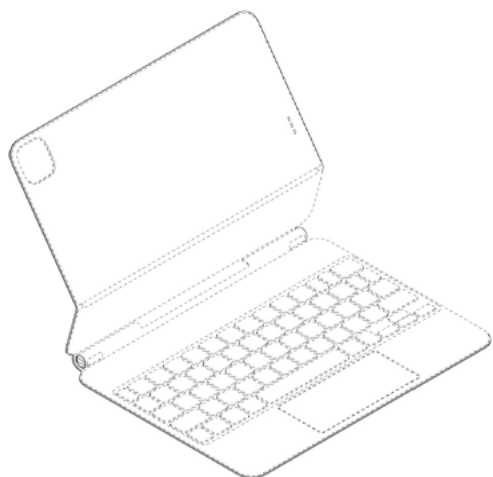
United States

[74] CLT PATENT & TRADEMARK (H.K.) LIMITED

Unit 09, 34/F., Office Tower, Convention Plaza,

No. 1 Harbour Road,

Wanchai, Hong Kong



[11] 2016836.5M009

[15] 17-09-2020

[30] 17-03-2020 / US / 29/728,326

[51] Cl. 3-01

[54] 套

Cover

[73] 蘋果公司

APPLE INC.

One Apple Park Way,

Cupertino, California 95014,

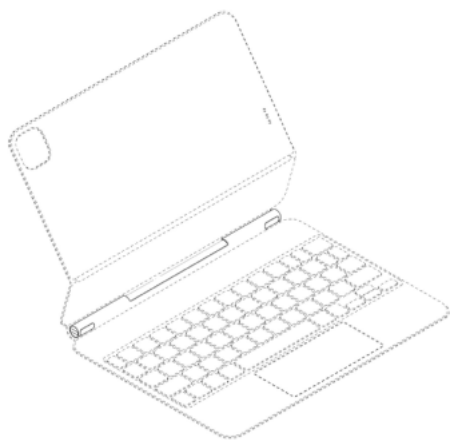
United States

[74] CLT PATENT & TRADEMARK (H.K.) LIMITED

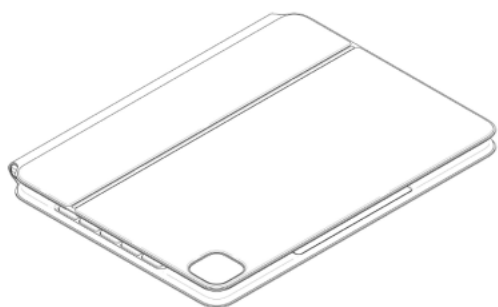
Unit 09, 34/F., Office Tower, Convention Plaza,

No. 1 Harbour Road,

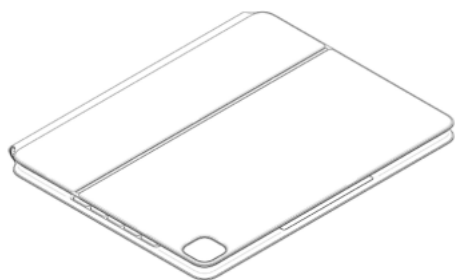
Wanchai, Hong Kong



- [11] 2016836.5M010
[15] 17-09-2020
[30] 17-03-2020 / US / 29/728,326
[51] Cl. 3-01
[54] 具有鍵盤的套
Cover with keyboard
[73] 蘋果公司
APPLE INC.
One Apple Park Way,
Cupertino, California 95014,
United States
[74] CLT PATENT & TRADEMARK (H.K.) LIMITED
Unit 09, 34/F., Office Tower, Convention Plaza,
No. 1 Harbour Road,
Wanchai, Hong Kong



-
- [11] 2016836.5M011
[15] 17-09-2020
[30] 17-03-2020 / US / 29/728,326
[51] Cl. 3-01
[54] 具有鍵盤的套
Cover with keyboard
[73] 蘋果公司
APPLE INC.
One Apple Park Way,
Cupertino, California 95014,
United States
[74] CLT PATENT & TRADEMARK (H.K.) LIMITED
Unit 09, 34/F., Office Tower, Convention Plaza,
No. 1 Harbour Road,
Wanchai, Hong Kong



[11] 2016836.5M012

[15] 17-09-2020

[30] 17-03-2020 / US / 29/728,326

[51] Cl. 3-01

[54] 具有鍵盤的套

Cover with keyboard

[73] 蘋果公司

APPLE INC.

One Apple Park Way,

Cupertino, California 95014,

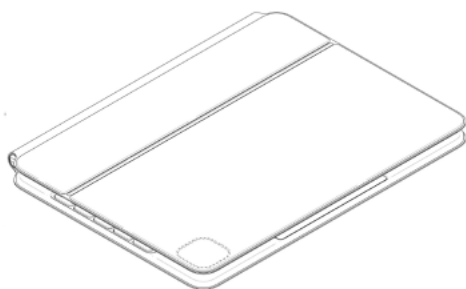
United States

[74] CLT PATENT & TRADEMARK (H.K.) LIMITED

Unit 09, 34/F., Office Tower, Convention Plaza,

No. 1 Harbour Road,

Wanchai, Hong Kong



[11] 2016836.5M013

[15] 17-09-2020

[30] 17-03-2020 / US / 29/728,326

[51] Cl. 3-01

[54] 套

Cover

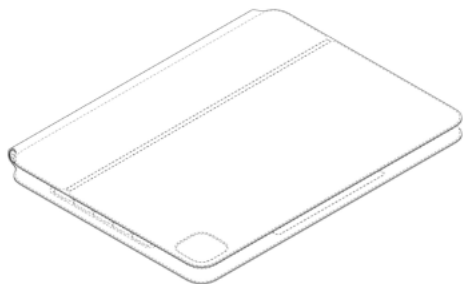
[73] 蘋果公司

APPLE INC.

One Apple Park Way,
Cupertino, California 95014,
United States

[74] CLT PATENT & TRADEMARK (H.K.) LIMITED

Unit 09, 34/F., Office Tower, Convention Plaza,
No. 1 Harbour Road,
Wanchai, Hong Kong



[11] 2016836.5M014

[15] 17-09-2020

[30] 17-03-2020 / US / 29/728,326

[51] Cl. 3-01

[54] 具有鍵盤的套

Cover with keyboard

[73] 蘋果公司

APPLE INC.

One Apple Park Way,
Cupertino, California 95014,
United States

[74] CLT PATENT & TRADEMARK (H.K.) LIMITED

Unit 09, 34/F., Office Tower, Convention Plaza,
No. 1 Harbour Road,
Wanchai, Hong Kong



[11] 2016836.5M015

[15] 17-09-2020

[30] 17-03-2020 / US / 29/728,326

[51] Cl. 3-01

[54] 具有電子裝置的套

Cover with electronic device

[73] 蘋果公司

APPLE INC.

One Apple Park Way,

Cupertino, California 95014,

United States

[74] CLT PATENT & TRADEMARK (H.K.) LIMITED

Unit 09, 34/F., Office Tower, Convention Plaza,

No. 1 Harbour Road,

Wanchai, Hong Kong

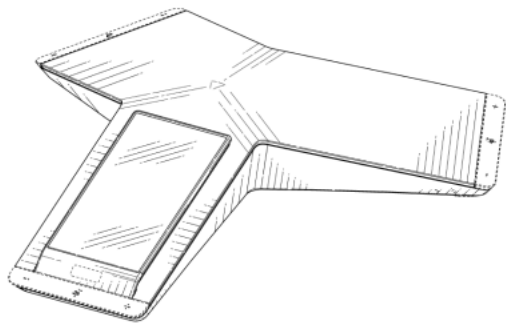


[11] 2016836.5M016

- [15] 17-09-2020
- [30] 17-03-2020 / US / 29/728,326
- [51] Cl. 3-01
- [54] 具有電子裝置的套
Cover with electronic device
- [73] 蘋果公司
APPLE INC.
One Apple Park Way,
Cupertino, California 95014,
United States
- [74] CLT PATENT & TRADEMARK (H.K.) LIMITED
Unit 09, 34/F., Office Tower, Convention Plaza,
No. 1 Harbour Road,
Wanchai, Hong Kong



-
- [11] 2016866.8M001
- [15] 23-09-2020
- [30] 26-03-2020 / US / 29/729,449
- [51] Cl. 14-03
- [54] 揚聲電話及其部分
Speakerphone and portion thereof
- [73] 續特力股份有限公司
PLANTRONICS, INC.
345 Encinal St.
Santa Cruz, CA 95060,
United States
- [74] SHANGHAI INTELLECTUAL PROPERTY OFFICE
Unit F, 20th Floor, Neich Tower,
128 Gloucester Road,
Hong Kong



[11] 2016866.8M002

[15] 23-09-2020

[30] 26-03-2020 / US / 29/729,449

[51] Cl. 14-03

[54] 揚聲電話及其部分

Speakerphone and portion thereof

[73] 續特力股份有限公司

PLANTRONICS, INC.

345 Encinal St.

Santa Cruz, CA 95060,

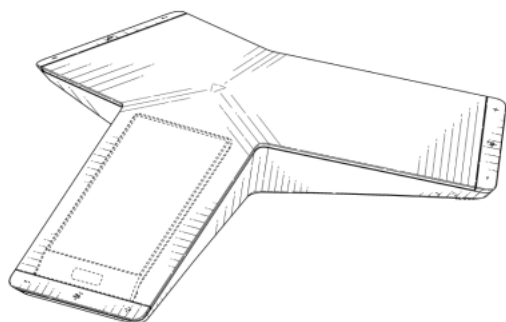
United States

[74] SHANGHAI INTELLECTUAL PROPERTY OFFICE

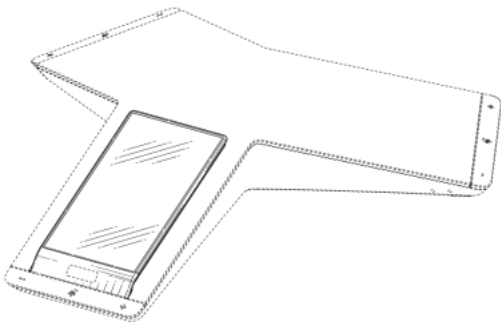
Unit F, 20th Floor, Neich Tower,

128 Gloucester Road,

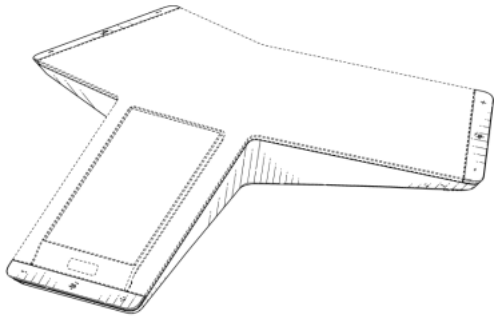
Hong Kong



- [11] 2016866.8M003
- [15] 23-09-2020
- [30] 26-03-2020 / US / 29/729,449
- [51] Cl. 14-03
- [54] 揚聲電話及其部分
Speakerphone and portion thereof
- [73] 續特力股份有限公司
PLANTRONICS, INC.
345 Encinal St.
Santa Cruz, CA 95060,
United States
- [74] SHANGHAI INTELLECTUAL PROPERTY OFFICE
Unit F, 20th Floor, Neich Tower,
128 Gloucester Road,
Hong Kong



-
- [11] 2016866.8M004
 - [15] 23-09-2020
 - [30] 26-03-2020 / US / 29/729,449
 - [51] Cl. 14-03
 - [54] 揚聲電話及其部分
Speakerphone and portion thereof
 - [73] 續特力股份有限公司
PLANTRONICS, INC.
345 Encinal St.
Santa Cruz, CA 95060,
United States
 - [74] SHANGHAI INTELLECTUAL PROPERTY OFFICE
Unit F, 20th Floor, Neich Tower,
128 Gloucester Road,
Hong Kong



[11] 2016866.8M005

[15] 23-09-2020

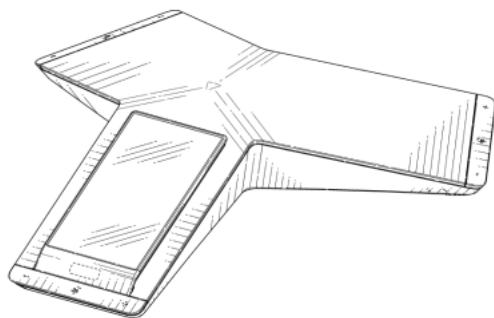
[30] 26-03-2020 / US / 29/729,449

[51] Cl. 14-03

[54] 揚聲電話及其部分
Speakerphone and portion thereof

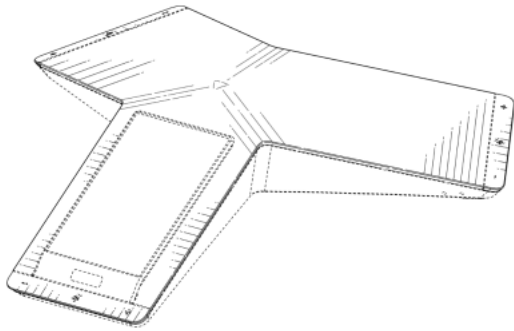
[73] 續特力股份有限公司
PLANTRONICS, INC.
345 Encinal St.
Santa Cruz, CA 95060,
United States

[74] SHANGHAI INTELLECTUAL PROPERTY OFFICE
Unit F, 20th Floor, Neich Tower,
128 Gloucester Road,
Hong Kong



[11] 2016866.8M006

- [15] 23-09-2020
- [30] 26-03-2020 / US / 29/729,449
- [51] Cl. 14-03
- [54] 揚聲電話及其部分
Speakerphone and portion thereof
- [73] 繽特力股份有限公司
PLANTRONICS, INC.
345 Encinal St.
Santa Cruz, CA 95060,
United States
- [74] SHANGHAI INTELLECTUAL PROPERTY OFFICE
Unit F, 20th Floor, Neich Tower,
128 Gloucester Road,
Hong Kong



-
- [11] 2016866.8M007
 - [15] 23-09-2020
 - [30] 25-03-2020 / US / 29/729,330
 - [51] Cl. 14-03
 - [54] 麥克風單元
Microphone unit
 - [73] 繽特力股份有限公司
PLANTRONICS, INC.
345 Encinal St.
Santa Cruz, CA 95060,
United States
 - [74] SHANGHAI INTELLECTUAL PROPERTY OFFICE
Unit F, 20th Floor, Neich Tower,
128 Gloucester Road,
Hong Kong



[11] 2016866.8M008

[15] 23-09-2020

[30] 25-03-2020 / US / 29/729,330

[51] Cl. 14-03

[54] 麥克風單元

Microphone unit

[73] 續特力股份有限公司

PLANTRONICS, INC.

345 Encinal St.

Santa Cruz, CA 95060,

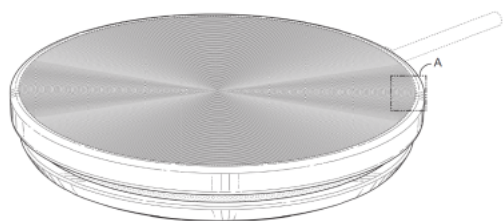
United States

[74] SHANGHAI INTELLECTUAL PROPERTY OFFICE

Unit F, 20th Floor, Neich Tower,

128 Gloucester Road,

Hong Kong



[11] 2016872.0M001

[15] 23-09-2020

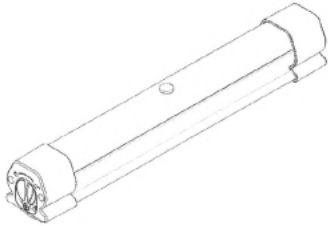
[30] 03-09-2020 / EU / 008157218-0001

[51] Cl. 26-05

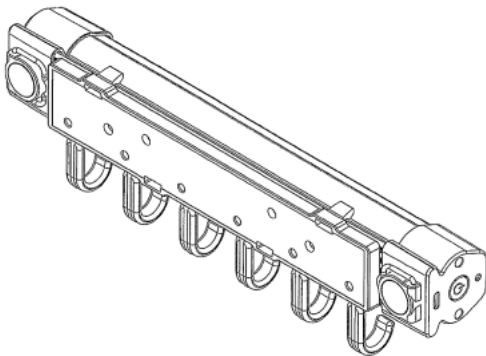
[54] 照明燈具

Lighting fixture

- [73] QEE Technology (Shenzhen) Co., Ltd.
4th Floor, Building 17, Hongfa Industrial Park (Hongfa Electronics Factory), Shixin Community Shiyan Street, Bao'an District, Shenzhen Guangdong, 518000, China
- [74] CHAN, TANG & KWOK
Rooms 03-04, 25/F, Shanghai Ind. Investment Bldg,
48-62 Hennessy Road,
Wanchai, Hong Kong



-
- [11] 2016872.0M002
- [15] 23-09-2020
- [30] 03-09-2020 / EU / 008157218-0002
- [51] Cl. 26-05
- [54] 照明燈具
Lighting fixture
- [73] QEE Technology (Shenzhen) Co., Ltd.
4th Floor, Building 17, Hongfa Industrial Park (Hongfa Electronics Factory), Shixin Community Shiyan Street, Bao'an District, Shenzhen Guangdong, 518000, China
- [74] CHAN, TANG & KWOK
Rooms 03-04, 25/F, Shanghai Ind. Investment Bldg,
48-62 Hennessy Road,
Wanchai, Hong Kong



- [11] 2016873.2
[15] 23-09-2020
[30] 30-03-2020 / KR / 30-2020-0014124
[51] Cl. 9-05
[54] 雪糕包裝紙
Wrapping paper for ice cream
[73] Binggrae Co., Ltd.
45, Dasansunhwan-ro,
Namyangju-si, Gyeonggi-do,
Korea, Republic of
[74] NTD PATENT & TRADE MARK AGENCY LIMITED
Units 1805-6, 18/F., Greenfield Tower,
Concordia Plaza,
No. 1 Science Museum Road,
Tsimshatsui East, Kowloon, Hong Kong



-
- [11] 2016874.4
[15] 23-09-2020
[30] 30-03-2020 / KR / 30-2020-0014125
[51] Cl. 9-05
[54] 雪糕包裝紙
Wrapping paper for ice cream
[73] Binggrae Co., Ltd.
45, Dasansunhwan-ro,
Namyangju-si, Gyeonggi-do,
Korea, Republic of
[74] NTD PATENT & TRADE MARK AGENCY LIMITED
Units 1805-6, 18/F., Greenfield Tower,
Concordia Plaza,

No. 1 Science Museum Road,
Tsimshatsui East, Kowloon, Hong Kong



[11] 2016875.7M001

[15] 24-09-2020

[51] C1. 7-02

[54] 黑晶陶瓷內鍋

Black crystal ceramic inner pot

[73] 金樂電器有限公司

Goldenwell Electrical Appliance Limited

香港沙田

火炭穗禾路 1 號

豐利工業中心 6 樓 17 室

[74] 金樂電器有限公司

香港沙田

火炭穗禾路 1 號

豐利工業中心 6 樓 17 室



[11] 2016875.7M002

[15] 24-09-2020

[51] Cl. 7-02

[54] 黑晶陶瓷內鍋

Black crystal ceramic inner pot

[73] 金樂電器有限公司

Goldenwell Electrical Appliance Limited

香港沙田

火炭穗禾路 1 號

豐利工業中心 6 樓 17 室

[74] 金樂電器有限公司

香港沙田

火炭穗禾路 1 號

豐利工業中心 6 樓 17 室



[11] 2016876.9

[15] 24-09-2020

[30] 22-04-2020 / CN / 202030167310.9

[51] Cl. 19-01

[54] 字帖

Copybook

[73] 王震華

Zhenhua WANG

中國內地

上海市徐匯區龍水南路

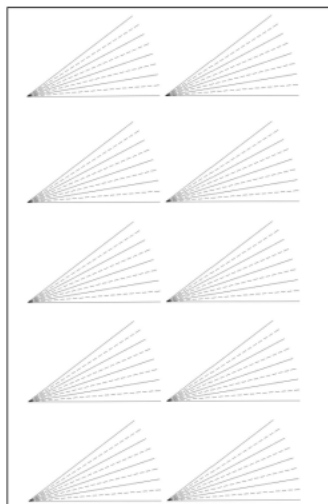
龍南六村 26 號 302 室 郵編: 200232

[74] 隆天專利商標代理有限公司

香港長沙灣

青山道 485 號

九龍廣場 10 樓 11 室



[11] 2016877.1

[15] 24-09-2020

[30] 31-03-2020 / CN / 202030120053.3

[51] Cl. 14-03

[54] 手機

Mobile phone

[73] 北京小米移動軟件有限公司

Beijing Xiaomi Mobile Software Co., Ltd.

中國內地

北京市海澱區西二旗中路

33 號院 6 號樓 8 層 018 號

[74] 隆天專利商標代理有限公司

香港長沙灣

青山道 485 號

九龍廣場 10 樓 11 室



[11] 2016882.1

[15] 25-09-2020

[51] Cl. 16-06

[54] 顯微鏡

Microscope

[73] 日榮實業有限公司

Sunpet Industries Limited

Unit 618, Lakeside 2,

No.10 Science Park West Avenue,

Hong Kong Science Park,

Shatin, N.T., Hong Kong

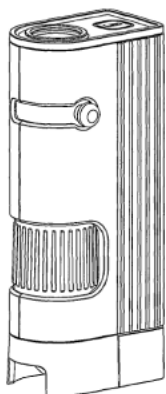
[74] Sunpet Industries Limited

Unit 618, Lakeside 2,

No.10 Science Park West Avenue,

Hong Kong Science Park,

Shatin, N.T., Hong Kong



[11] 2016883.3

[15] 25-09-2020

[51] Cl. 16-06

[54] 顯微鏡

Microscope

[73] 日榮實業有限公司

Sunpet Industries Limited

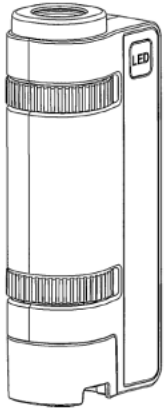
Unit 618, Lakeside 2,

No.10 Science Park West Avenue,

Hong Kong Science Park,

Shatin, N.T., Hong Kong

[74] Sunpet Industries Limited
Unit 618, Lakeside 2,
No.10 Science Park West Avenue,
Hong Kong Science Park,
Shatin, N.T., Hong Kong



[11] 2016885.8

[15] 25-09-2020

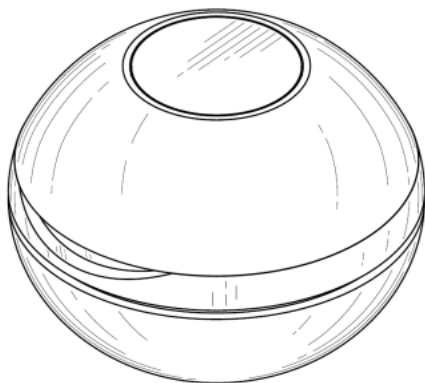
[30] 26-03-2020 / US / 29/729,419

[51] Cl. 9-01

[54] 化妝品容器
Cosmetic container

[73] ELC MANAGEMENT LLC
155 Pinelawn Road,
Suite 345 South, Melville, NY 11747,
United Kingdom

[74] CHINA PATENT AGENT (HONG KONG) LIMITED
22/F, Great Eagle Centre,
23 Harbour Road,
Wanchai, Hong Kong



[11] 2016886.0M001

[15] 25-09-2020

[30] 03-04-2020 / NO, SG, CH, EU, JP / DM/207 368

[51] Cl. 7-02

[54] 咖啡過濾器

Coffee filter

[73] Pi-Design AG

Kantonsstrasse 100,

CH-6234 Triengen,

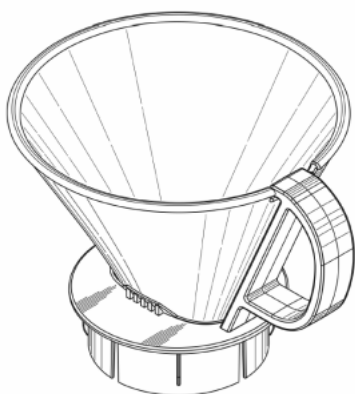
Switzerland

[74] WENPING PATENT & TRADE MARK AGENT LIMITED

1701 Tung Wai Commercial Building,

111 Gloucester Road,

Hong Kong

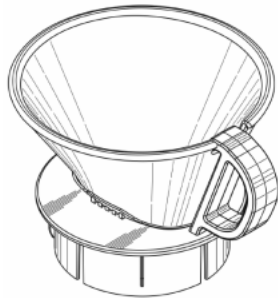


[11] 2016886.0M002

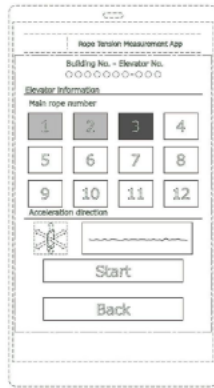
[15] 25-09-2020

[30] 03-04-2020 / NO, SG, CH, EU, JP / DM/207 368

- [51] Cl. 7-02
- [54] 咖啡過濾器
Coffee filter
- [73] Pi-Design AG
Kantonsstrasse 100,
CH-6234 Triengen,
Switzerland
- [74] WENPING PATENT & TRADE MARK AGENT LIMITED
1701 Tung Wai Commercial Building,
111 Gloucester Road,
Hong Kong



-
- [11] 2016887.2M001
- [15] 25-09-2020
- [30] 01-04-2020 / JP / 006754 of 2020
- [51] Cl. 14-04
- [54] 圖形用戶界面
Graphical user interface
- [73] 三菱電機大樓技術服務株式會社
MITSUBISHI ELECTRIC BUILDING TECHNO-SERVICE CO., LTD.
7-1, Yurakucho 1-chome,
Chiyoda-ku, Tokyo 100-0006,
Japan
- 三菱電機株式會社
Mitsubishi Electric Corporation
7-3, Marunouchi 2-chome,
Chiyoda-ku, Tokyo 100-8310,
Japan
- [74] SANYOU INTELLECTUAL PROPERTY LIMITED
Room 601, 6/F., Yue Xiu Building,
160-174 Lockhart Road,
Wanchai, Hong Kong



[11] 2016887.2M002

[15] 25-09-2020

[30] 01-04-2020 / JP / 006734 of 2020

[51] C1. 14-04

[54] 圖形用戶界面

Graphical user interface

[73] 三菱電機大樓技術服務株式會社

MITSUBISHI ELECTRIC BUILDING TECHNO-SERVICE CO., LTD.

7-1, Yurakucho 1-chome,
Chiyoda-ku, Tokyo 100-0006,
Japan

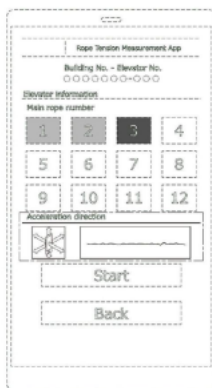
三菱電機株式會社

Mitsubishi Electric Corporation

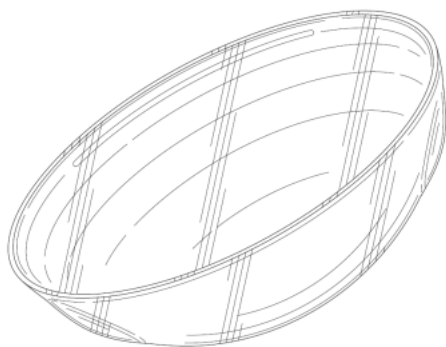
7-3, Marunouchi 2-chome,
Chiyoda-ku, Tokyo 100-8310,
Japan

[74] SANYOU INTELLECTUAL PROPERTY LIMITED

Room 601, 6/F., Yue Xiu Building,
160-174 Lockhart Road,
Wanchai, Hong Kong



- [11] 2016888.4M001
[15] 25-09-2020
[30] 26-03-2020 / US / 29/729,365
[51] Cl. 16-06
[54] 隱形眼鏡
Contact lens
[73] OHIO STATE INNOVATION FOUNDATION
1524 North High Street,
Columbus, OH 43201,
United States
[74] HASTINGS & CO
5/F Gloucester Tower, The Landmark,
11 Pedder Street, Central,
Hong Kong



- [11] 2016888.4M002
[15] 25-09-2020
[30] 26-03-2020 / US / 29/729,365
[51] Cl. 16-06
[54] 隱形眼鏡
Contact lens
[73] OHIO STATE INNOVATION FOUNDATION
1524 North High Street,
Columbus, OH 43201,
United States
[74] HASTINGS & CO
5/F Gloucester Tower, The Landmark,
11 Pedder Street, Central,
Hong Kong



[11] 2016890.8

[15] 28-09-2020

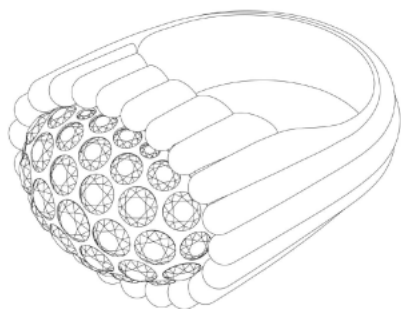
[30] 19-06-2020 / RU, SG, CH, GB, US, EU, JP, KR / DM/209 390

[51] Cl. 11-01

[54] 戒指
Ring

[73] VAN CLEEF & ARPELS SA
Route des Biches 8,
1752 Villars-sur-Glâne,
Switzerland

[74] ATL LAW OFFICES
16/F., China Hong Kong Tower,
8-12 Hennessy Road,
Wanchai, Hong Kong



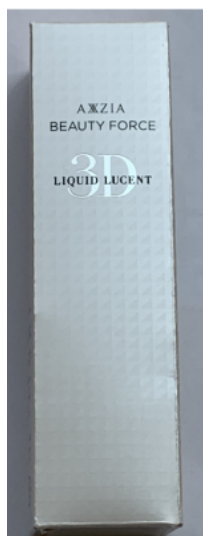
[11] 2016897.3

[15] 29-09-2020

[51] Cl. 9-03

[54] 包裝盒
Packaging box

- [73] AXXZIA 股份有限公司
AXXZIA INC.
6-3-1 Nishi-Shinjuku,
Shinjuku-ku, Tokyo,
Japan
- [74] CLT PATENT & TRADEMARK (H.K.) LIMITED
Unit 09, 34/F., Office Tower, Convention Plaza,
No. 1 Harbour Road,
Wanchai, Hong Kong



-
- [11] 2016898.5
- [15] 29-09-2020
- [51] Cl. 21-01
- [54] 玩具恐龍高塔基地
Toy dino tower base
- [73] 集美塑膠玩具製品廠有限公司
CHAP MEI PLASTIC TOYS MANUFACTORY
LIMITED
Unit 541, 5/F., Sino Industrial Plaza,
9 Kai Cheung Road,
Kowloon Bay, Kowloon, Hong Kong
- [74] BENNY KONG & TSAI
Unit 19B, Overseas Trust Bank Building,
No. 160 Gloucester Road,
Wanchai, Hong Kong



[11] 2016899.7

[15] 30-09-2020

[51] Cl. 23-04

[54] 香薰機

Aroma diffuser

[73] 盛開蓮花有限公司

Bloomy Lotus Ltd

Unit 4711, 47/F., The Center,

99 Queen's Road Central,

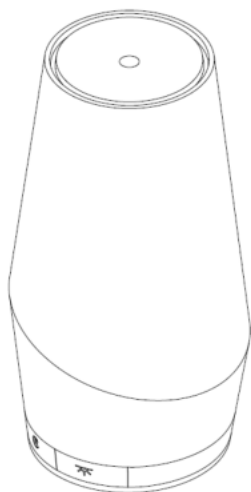
Central, Hong Kong

[74] FEDERATION OF HONG KONG INDUSTRIES

31/F, Billion Plaza,

8 Cheung Yue Street,

Cheung Sha Wan, Kowloon, Hong Kong



[11] 2016900.1

[15] 30-09-2020

[51] Cl. 23-04

[54] 香薰機

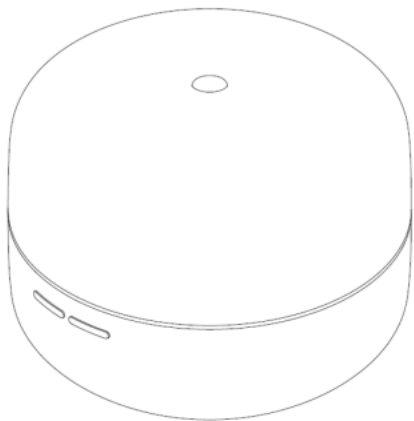
Aroma diffuser

[73] 盛開蓮花有限公司

Bloomy Lotus Ltd
Unit 4711, 47/F., The Center,
99 Queen's Road Central,
Central, Hong Kong

[74] FEDERATION OF HONG KONG INDUSTRIES

31/F, Billion Plaza,
8 Cheung Yue Street,
Cheung Sha Wan, Kowloon, Hong Kong



[11] 2016901.3

[15] 30-09-2020

[51] Cl. 23-04

[54] 香薰機

Aroma diffuser

[73] 盛開蓮花有限公司

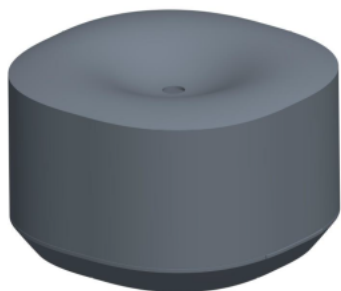
Bloomy Lotus Ltd
Unit 4711, 47/F., The Center,
99 Queen's Road Central,
Central, Hong Kong

[74] FEDERATION OF HONG KONG INDUSTRIES

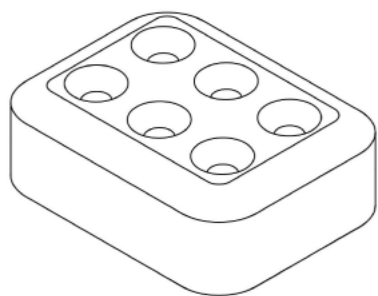
31/F, Billion Plaza,
8 Cheung Yue Street,
Cheung Sha Wan, Kowloon, Hong Kong



- [11] 2016902.5
[15] 30-09-2020
[51] Cl. 23-04
[54] 香薰機
Aroma diffuser
[73] 盛開蓮花有限公司
Bloomy Lotus Ltd
Unit 4711, 47/F., The Center,
99 Queen's Road Central, Central,
Hong Kong
[74] FEDERATION OF HONG KONG INDUSTRIES
31/F, Billion Plaza,
8 Cheung Yue Street,
Cheung Sha Wan, Kowloon, Hong Kong



-
- [11] 2016903.7M001
[15] 30-09-2020
[30] 01-04-2020 / JP / 006557 of 2020
[51] Cl. 1-03
[54] 固體食品
Solid food
[73] 株式會社明治
Meiji Co., Ltd.
日本
東京都中央區
京橋二丁目 2 番 1 號
[74] 范紀羅江律師行
香港灣仔
港灣道 6-8 號
瑞安中心 23 樓



[11] 2016903.7M002

[15] 30-09-2020

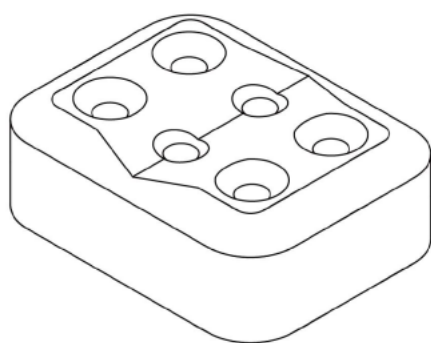
[30] 01-04-2020 / JP / 006564 of 2020

[51] Cl. 1-03

[54] 固體食品
Solid food

[73] 株式會社明治
Meiji Co., Ltd.
日本
東京都中央區
京橋二丁目 2 番 1 號

[74] 范紀羅江律師行
香港灣仔
港灣道 6-8 號
瑞安中心 23 樓



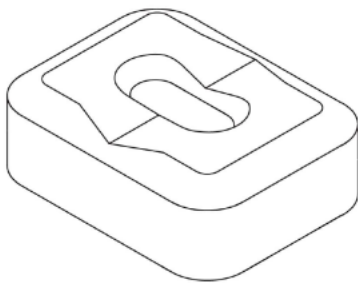
[11] 2016903.7M003

[15] 30-09-2020

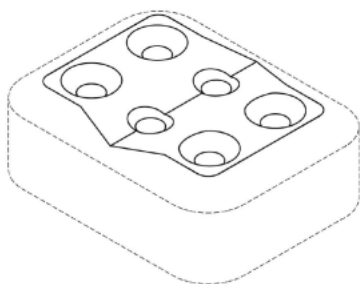
[30] 01-04-2020 / JP / 006566 of 2020

[51] Cl. 1-03

- [54] 固體食品
Solid food
- [73] 株式會社明治
Meiji Co., Ltd.
日本
東京都中央區
京橋二丁目 2 番 1 號
- [74] 范紀羅江律師行
香港灣仔
港灣道 6-8 號
瑞安中心 23 樓



-
- [11] 2016903.7M004
- [15] 30-09-2020
- [30] 01-04-2020 / JP / 006546 of 2020
- [51] Cl. 1-03
- [54] 固體食品
Solid food
- [73] 株式會社明治
Meiji Co., Ltd.
日本
東京都中央區
京橋二丁目 2 番 1 號
- [74] 范紀羅江律師行
香港灣仔
港灣道 6-8 號
瑞安中心 23 樓



[11] 2016903.7M005

[15] 30-09-2020

[30] 01-04-2020 / JP / 006547 of 2020

[51] Cl. 1-03

[54] 固體食品

Solid food

[73] 株式會社明治

Meiji Co., Ltd.

日本

東京都中央區

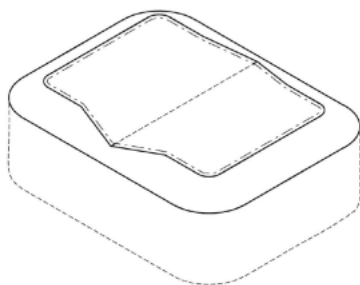
京橋二丁目 2 番 1 號

[74] 范紀羅江律師行

香港灣仔

港灣道 6-8 號

瑞安中心 23 樓



[11] 2016905.2

[15] 30-09-2020

[30] 27-04-2020 / JP / 008546 of 2020

[51] Cl. 23-04

[54] 空調機

Air conditioner

[73] Daikin Kohgyo Kabushiki Gaisha (DAIKIN INDUSTRIES, LTD.)

Umeda Center Building,

4-12 Nakazaki-Nishi 2-chome,

Kita-ku, Osaka-shi, Osaka-fu,

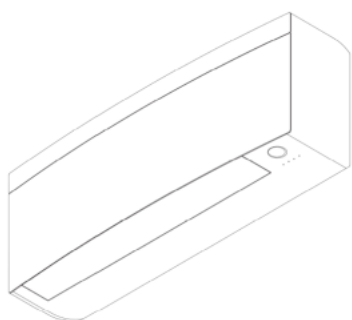
Japan

[74] MARKS & CLERK

Level 9, Cyberport 1,

100 Cyberport Road,

Pok Fu Lam, Hong Kong



[11] 2016906.4

[15] 30-09-2020

[51] Cl. 7-02

[54] 炒菜機

Stir-fry machine

[73] 深圳市鉅兆商用智能爐業有限公司

中國內地

廣東省深圳市龍崗區橫崗街道西坑社區百達街黃升發工業區廠房 1 號 102

香港鉅兆餐飲智能科技有限公司

香港九龍

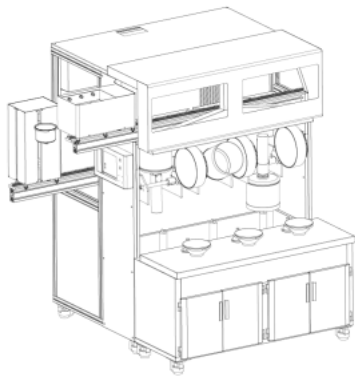
旺角彌敦道 788-790 號

利美大廈 10 字樓 B 室

[74] 中港專利有限公司

香港

港灣道 1 號會展廣場辦公大樓 30 樓 3012 室



[11] 2016907.6M001

[15] 30-09-2020

[30] 16-04-2020 / EU / 007815733

[51] Cl. 7-05

[54] 手提式的蒸氣掛燙機

Handheld garment steamer

[73] Koninklijke Philips N.V.

High Tech Campus 52,

5656 AG Eindhoven,

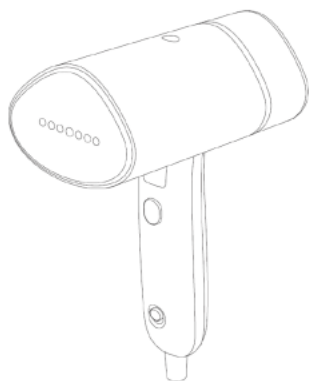
Netherlands

[74] Rouse & Co. International (Overseas) Limited

18/F., Golden Centre,

188 Des Voeux Road Central,

Hong Kong



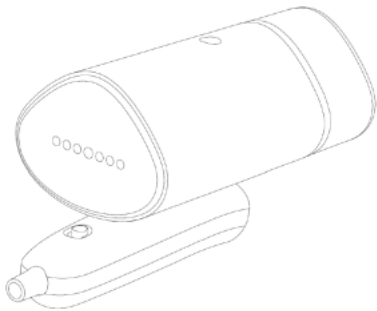
[11] 2016907.6M002

[15] 30-09-2020

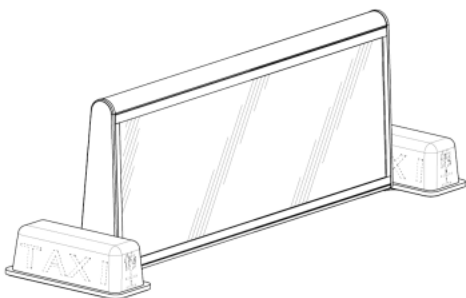
[30] 16-04-2020 / EU / 007815733

[51] Cl. 7-05

- [54] 手提式的蒸氣掛燙機
Handheld garment steamer
- [73] Koninklijke Philips N.V.
High Tech Campus 52,
5656 AG Eindhoven,
Netherlands
- [74] Rouse & Co. International (Overseas) Limited
18/F., Golden Centre,
188 Des Voeux Road Central,
Hong Kong



-
- [11] 2016909.0
- [15] 01-10-2020
- [51] Cl. 20-03
- [54] 的士頂的顯示屏
Taxi top display screen
- [73] Captive 8 Media Limited
Room 1006, 10/F, Haleson Building,
1 Jubilee Street,
Central, Hong Kong
- [74] LECTO IP LIMITED
Suite 2207-9, Tower Two, Lippo Centre,
89 Queensway,
Admiralty, Hong Kong



[11] 2016910.2M001

[15] 05-10-2020

[51] Cl. 9-03

[54] 木桶

Wooden bucket

[73] HENGLLEE COMMUNITY BUSINESS CO.,LTD.

145/70 M.1 Jaengwattana Rd.,

Pakkred, Nonthaburi 11120,

Thailand

[74] ACCOLADE IP LIMITED

10/F, Fu Fai Comm. Ctr.,

27 Hillier Street,

Sheung Wan, Hong Kong



[11] 2016910.2M002

[15] 05-10-2020

[51] Cl. 9-03

[54] 木桶

Wooden bucket

[73] HENGLLEE COMMUNITY BUSINESS CO.,LTD.

145/70 M.1 Jaengwattana Rd.,

Pakkred, Nonthaburi 11120,

Thailand

[74] ACCOLADE IP LIMITED

10/F, Fu Fai Comm. Ctr.,

27 Hillier Street,

Sheung Wan, Hong Kong



[11] 2016911.4M001

[15] 05-10-2020

[51] Cl. 2-04

[54] 鞋

Shoe

[73] 榮桂企業有限公司

香港青衣

青衣工業中心二期 C 座 13 樓 C2 室

[74] 榮桂企業有限公司

香港青衣

青衣工業中心二期 C 座 13 樓 C2 室



[11] 2016911.4M002

[15] 05-10-2020

[51] Cl. 2-04

[54] 鞋

Shoe

[73] 榮桂企業有限公司

香港青衣

青衣工業中心二期 C 座 13 樓 C2 室

- [74] 榮桂企業有限公司
香港青衣
青衣工業中心二期 C 座 13 樓 C2 室



-
- [11] 2016917.7M001
[15] 05-10-2020
[30] 31-05-2020 / SG, CH, GB, EU / DM/208 706
[51] Cl. 10-02
[54] 錶
Watch
[73] VAN CLEEF & ARPELS SA
Route des Biches 8,
1752 Villars-sur-Glâne,
Switzerland
[74] ATL LAW OFFICES
16/F., China Hong Kong Tower,
8-12 Hennessy Road,
Wanchai, Hong Kong

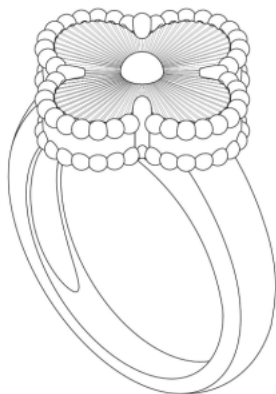


-
- [11] 2016917.7M002

- [15] 05-10-2020
- [30] 31-05-2020 / SG, CH, GB, EU / DM/208 706
- [51] Cl. 10-07
- [54] 錶鐲
Watch bracelet
- [73] VAN CLEEF & ARPELS SA
Route des Biches 8,
1752 Villars-sur-Glâne,
Switzerland
- [74] ATL LAW OFFICES
16/F., China Hong Kong Tower,
8-12 Hennessy Road,
Wanchai, Hong Kong



-
- [11] 2016918.9
- [15] 05-10-2020
- [30] 29-07-2020 / SG, CH, GB, EU / DM/209 777
- [51] Cl. 11-01
- [54] 戒指
Ring
- [73] VAN CLEEF & ARPELS SA
Route des Biches 8,
1752 Villars-sur-Glâne,
Switzerland
- [74] ATL LAW OFFICES
16/F., China Hong Kong Tower,
8-12 Hennessy Road,
Wanchai, Hong Kong



[11] 2016919.1M001

[15] 05-10-2020

[51] Cl. 11-01

[54] 飾物設計

Ornament design

[73] 六福集團有限公司

Luk Fook Holdings Company Limited
Floor 15, 20, 25 & 27, Metropole Square,
No.2 On Yiu Street,
Shatin, New Territories, Hong Kong

[74] Luk Fook Holdings Company Limited (Legal Affairs Department)

Floor 25, Metropole Square,
No.2 On Yiu Street,
Shatin, New Territories, Hong Kong



[11] 2016919.1M002

[15] 05-10-2020

[51] Cl. 11-01

[54] 飾物設計

Ornament design

[73] 六福集團有限公司

Luk Fook Holdings Company Limited

Floor 15, 20, 25 & 27, Metropole Square,

No.2 On Yiu Street,

Shatin, New Territories, Hong Kong

[74] Luk Fook Holdings Company Limited (Legal Affairs Department)

Floor 25, Metropole Square,

No.2 On Yiu Street,

Shatin, New Territories, Hong Kong



[11] 2016919.1M003

[15] 05-10-2020

[51] Cl. 11-01

[54] 飾物設計

Ornament design

[73] 六福集團有限公司

Luk Fook Holdings Company Limited

Floor 15, 20, 25 & 27, Metropole Square,

No.2 On Yiu Street,

Shatin, New Territories, Hong Kong

[74] Luk Fook Holdings Company Limited (Legal Affairs Department)

Floor 25, Metropole Square,

No.2 On Yiu Street,

Shatin, New Territories, Hong Kong



[11] 2016919.1M004

[15] 05-10-2020

[51] Cl. 11-01

[54] 飾物設計

Ornament design

[73] 六福集團有限公司

Luk Fook Holdings Company Limited

Floor 15, 20, 25 & 27, Metropole Square,

No.2 On Yiu Street,

Shatin, New Territories, Hong Kong

[74] Luk Fook Holdings Company Limited (Legal Affairs Department)

Floor 25, Metropole Square,

No.2 On Yiu Street,

Shatin, New Territories, Hong Kong



[11] 2016919.1M005

[15] 05-10-2020

[51] Cl. 11-01

[54] 飾物設計

Ornament design

[73] 六福集團有限公司

Luk Fook Holdings Company Limited
Floor 15, 20, 25 & 27, Metropole Square,
No.2 On Yiu Street,
Shatin, New Territories, Hong Kong

[74] Luk Fook Holdings Company Limited (Legal Affairs Department)

Floor 25, Metropole Square,
No.2 On Yiu Street,
Shatin, New Territories, Hong Kong



[11] 2016919.1M006

[15] 05-10-2020

[51] Cl. 11-01

[54] 飾物設計

Ornament design

[73] 六福集團有限公司

Luk Fook Holdings Company Limited
Floor 15, 20, 25 & 27, Metropole Square,
No.2 On Yiu Street,
Shatin, New Territories, Hong Kong

[74] Luk Fook Holdings Company Limited (Legal Affairs Department)

Floor 25, Metropole Square,
No.2 On Yiu Street,
Shatin, New Territories, Hong Kong



[11] 2016919.1M007

[15] 05-10-2020

[51] Cl. 11-01

[54] 飾物設計

Ornament design

[73] 六福集團有限公司

Luk Fook Holdings Company Limited

Floor 15, 20, 25 & 27, Metropole Square,

No.2 On Yiu Street,

Shatin, New Territories, Hong Kong

[74] Luk Fook Holdings Company Limited (Legal Affairs Department)

Floor 25, Metropole Square,

No.2 On Yiu Street,

Shatin, New Territories, Hong Kong



[11] 2016919.1M008

[15] 05-10-2020

[51] Cl. 11-01

[54] 飾物設計

Ornament design

[73] 六福集團有限公司

Luk Fook Holdings Company Limited

Floor 15, 20, 25 & 27, Metropole Square,

No.2 On Yiu Street,

Shatin, New Territories, Hong Kong

[74] Luk Fook Holdings Company Limited (Legal Affairs Department)

Floor 25, Metropole Square,

No.2 On Yiu Street,

Shatin, New Territories, Hong Kong



[11] 2016919.1M009

[15] 05-10-2020

[51] Cl. 11-01

[54] 飾物設計

Ornament design

[73] 六福集團有限公司

Luk Fook Holdings Company Limited
Floor 15, 20, 25 & 27, Metropole Square,
No.2 On Yiu Street,
Shatin, New Territories, Hong Kong

[74] Luk Fook Holdings Company Limited (Legal Affairs Department)

Floor 25, Metropole Square,
No.2 On Yiu Street,
Shatin, New Territories, Hong Kong



[11] 2016919.1M010

[15] 05-10-2020

[51] Cl. 11-01

[54] 飾物設計

Ornament design

[73] 六福集團有限公司

Luk Fook Holdings Company Limited
Floor 15, 20, 25 & 27, Metropole Square,
No.2 On Yiu Street,
Shatin, New Territories, Hong Kong

[74] Luk Fook Holdings Company Limited (Legal Affairs Department)

Floor 25, Metropole Square,
No.2 On Yiu Street,
Shatin, New Territories, Hong Kong



[11] 2016919.1M011

[15] 05-10-2020

[51] Cl. 11-02

[54] 飾物設計

Ornament design

[73] 六福集團有限公司

Luk Fook Holdings Company Limited
Floor 15, 20, 25 & 27, Metropole Square,
No.2 On Yiu Street,
Shatin, New Territories, Hong Kong

[74] Luk Fook Holdings Company Limited (Legal Affairs Department)

Floor 25, Metropole Square,
No.2 On Yiu Street,
Shatin, New Territories, Hong Kong



[11] 2016919.1M012

[15] 05-10-2020

[51] Cl. 11-02

[54] 飾物設計

Ornament design

[73] 六福集團有限公司

Luk Fook Holdings Company Limited

Floor 15, 20, 25 & 27, Metropole Square,

No.2 On Yiu Street,

Shatin, New Territories, Hong Kong

[74] Luk Fook Holdings Company Limited (Legal Affairs Department)

Floor 25, Metropole Square,

No.2 On Yiu Street,

Shatin, New Territories, Hong Kong



[11] 2016919.1M013

[15] 05-10-2020

[51] Cl. 11-02

[54] 飾物設計

Ornament design

[73] 六福集團有限公司

Luk Fook Holdings Company Limited
Floor 15, 20, 25 & 27, Metropole Square,
No.2 On Yiu Street,
Shatin, New Territories, Hong Kong

[74] Luk Fook Holdings Company Limited (Legal Affairs Department)

Floor 25, Metropole Square,
No.2 On Yiu Street,
Shatin, New Territories, Hong Kong



[11] 2016919.1M014

[15] 05-10-2020

[51] C1. 11-02

[54] 飾物設計

Ornament design

[73] 六福集團有限公司

Luk Fook Holdings Company Limited
Floor 15, 20, 25 & 27, Metropole Square,
No.2 On Yiu Street,
Shatin, New Territories, Hong Kong

[74] Luk Fook Holdings Company Limited (Legal Affairs Department)

Floor 25, Metropole Square,
No.2 On Yiu Street,
Shatin, New Territories, Hong Kong



[11] 2016919.1M015

[15] 05-10-2020

[51] Cl. 11-02

[54] 飾物設計

Ornament design

[73] 六福集團有限公司

Luk Fook Holdings Company Limited

Floor 15, 20, 25 & 27, Metropole Square,

No.2 On Yiu Street,

Shatin, New Territories, Hong Kong

[74] Luk Fook Holdings Company Limited (Legal Affairs Department)

Floor 25, Metropole Square,

No.2 On Yiu Street,

Shatin, New Territories, Hong Kong



[11] 2016919.1M016

[15] 05-10-2020

[51] Cl. 11-02

[54] 飾物設計

Ornament design

[73] 六福集團有限公司

Luk Fook Holdings Company Limited
Floor 15, 20, 25 & 27, Metropole Square,
No.2 On Yiu Street,
Shatin, New Territories, Hong Kong

[74] Luk Fook Holdings Company Limited (Legal Affairs Department)

Floor 25, Metropole Square,
No.2 On Yiu Street,
Shatin, New Territories, Hong Kong



[11] 2016920.3

[15] 05-10-2020

[30] 08-04-2020 / AU / 202012130

[51] Cl. 21-02

[54] 運動用墊的擴充基座

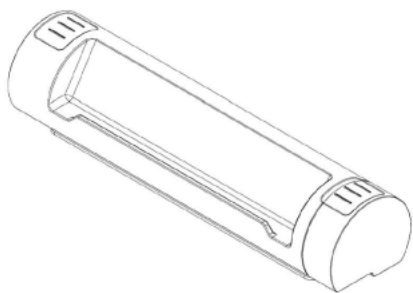
Docking station for an exercise mat

[73] AXIIS Group Pty Ltd

82 Nelson Road Lilydale,
Victoria 3140,
Australia

[74] TRADEMARKCN COMPANY LIMITED

Block A, 4/F., Granville Building,
14 Granville Road,
Tsim Sha Tsui, Kowloon, Hong Kong



[11] 2016921.5

[15] 05-10-2020

[30] 08-04-2020 / AU / 202012131

[51] Cl. 6-11

[54] 運動用墊

An exercise mat

[73] AXIIS Group Pty Ltd

82 Nelson Road Lilydale,

Victoria 3140,

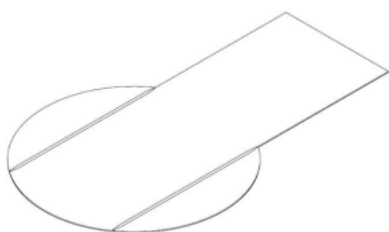
Australia

[74] TRADEMARKCN COMPANY LIMITED

Block A, 4/F., Granville Building,

14 Granville Road,

Tsim Sha Tsui, Kowloon, Hong Kong



[11] 2016923.9M001

[15] 06-10-2020

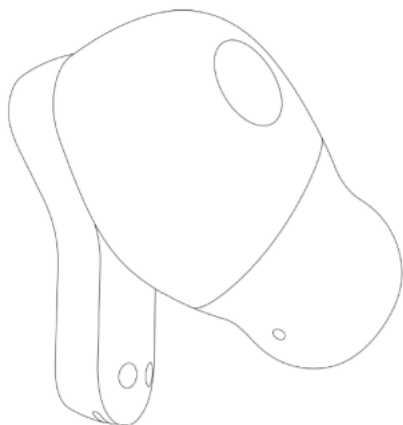
[30] 14-04-2020 / CN / 202030145864.9

[51] Cl. 14-01

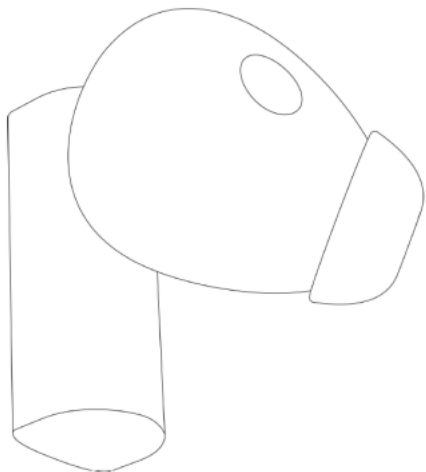
[54] 耳機

Headset

- [73] HUAWEI TECHNOLOGIES CO., LTD.
Huawei Administration Building,
Bantian, Longgang District,
Shenzhen Guangdong 518129, China
- [74] GLOBAL IP AGENT COMPANY LIMITED
9/F., Goodwill Industrial Building,
36-44 Pak Tin Par Street,
Tsuen Wan, Hong Kong



-
- [11] 2016923.9M002
- [15] 06-10-2020
- [30] 14-04-2020 / CN / 202030145864.9
- [51] Cl. 14-01
- [54] 耳機
Headset
- [73] HUAWEI TECHNOLOGIES CO., LTD.
Huawei Administration Building,
Bantian, Longgang District,
Shenzhen Guangdong 518129, China
- [74] GLOBAL IP AGENT COMPANY LIMITED
9/F., Goodwill Industrial Building,
36-44 Pak Tin Par Street,
Tsuen Wan, Hong Kong



[11] 2016923.9M003

[15] 06-10-2020

[30] 14-04-2020 / CN / 202030145864.9

[51] Cl. 14-01

[54] 耳機

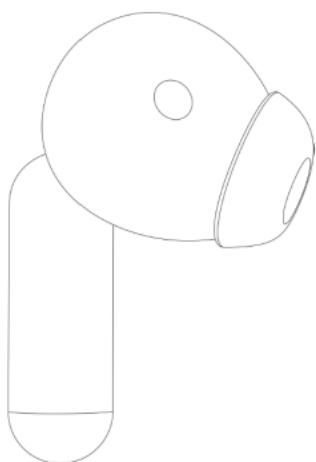
Headset

[73] HUAWEI TECHNOLOGIES CO., LTD.

Huawei Administration Building,
Bantian, Longgang District,
Shenzhen Guangdong 518129, China

[74] GLOBAL IP AGENT COMPANY LIMITED

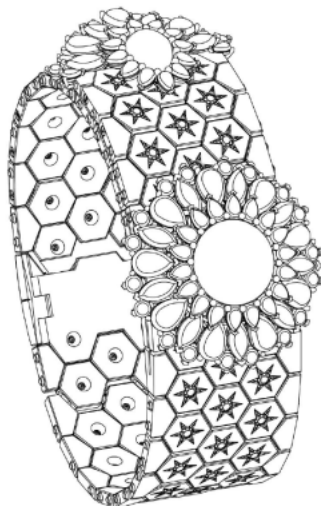
9/F., Goodwill Industrial Building,
36-44 Pak Tin Par Street,
Tsuen Wan, Hong Kong



- [11] 2016923.9M004
[15] 06-10-2020
[30] 14-04-2020 / CN / 202030145864.9
[51] Cl. 14-01
[54] 耳機
Headset
[73] HUAWEI TECHNOLOGIES CO., LTD.
Huawei Administration Building,
Bantian, Longgang District,
Shenzhen Guangdong 518129, China
[74] GLOBAL IP AGENT COMPANY LIMITED
9/F., Goodwill Industrial Building,
36-44 Pak Tin Par Street,
Tsuen Wan, Hong Kong



-
- [11] 2016924.1M001
[15] 06-10-2020
[30] 30-07-2020 / CH, EU, KR / DM/209 776
[51] Cl. 10-02
[54] 腕錶
Wrist watch
[73] VAN CLEEF & ARPELS SA
Route des Biches 8,
1752 Villars-sur-Glâne,
Switzerland
[74] ATL LAW OFFICES
16/F., China Hong Kong Tower,
8-12 Hennessy Road,
Wanchai, Hong Kong



[11] 2016924.1M002

[15] 06-10-2020

[30] 30-07-2020 / CH, EU, KR / DM/209 776

[51] Cl. 10-02

[54] 錶

Watch

[73] VAN CLEEF & ARPELS SA

Route des Biches 8,
1752 Villars-sur-Glâne,
Switzerland

[74] ATL LAW OFFICES

16/F., China Hong Kong Tower,
8-12 Hennessy Road,
Wanchai, Hong Kong



[11] 2016928.0

- [15] 07-10-2020
- [30] 07-04-2020 / JP / 007355 of 2020
- [51] Cl. 9-01
- [54] 包裝用容器
Packaging container
- [73] ROHTO PHARMACEUTICAL CO., LTD.
1-8-1, Tatsumi-Nishi, Ikuko-Ku,
Osaka-shi, Osaka,
Japan
- [74] WILKINSON & GRIST
6th Floor, Prince's Building,
Chater Road,
Hong Kong



-
- [11] 2016929.2
- [15] 07-10-2020
- [30] 07-04-2020 / JP / 007357 of 2020
- [51] Cl. 9-01
- [54] 包裝用容器
Packaging container
- [73] ROHTO PHARMACEUTICAL CO., LTD.
1-8-1, Tatsumi-Nishi, Ikuko-Ku,
Osaka-shi, Osaka,
Japan
- [74] WILKINSON & GRIST
6th Floor, Prince's Building,
Chater Road,
Hong Kong



[11] 2016930.4M001

[15] 07-10-2020

[30] 09-04-2020 / EU / 007799960

[51] Cl. 28-03

[54] 修飾裝置

Grooming apparatus

[73] Koninklijke Philips N.V.

High Tech Campus 52,

5656 AG Eindhoven,

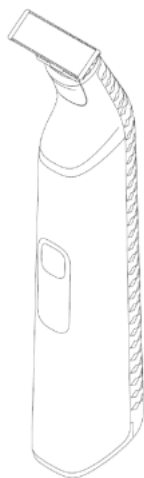
Netherlands

[74] Rouse & Co. International (Overseas) Limited

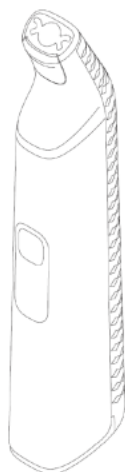
18/F., Golden Centre,

188 Des Voeux Road Central,

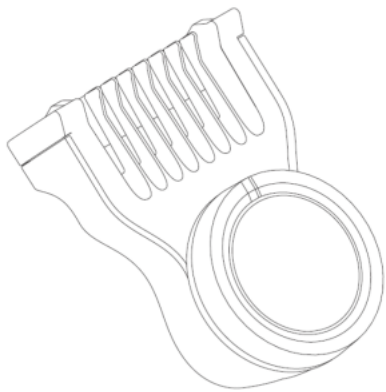
Hong Kong



- [11] 2016930.4M002
[15] 07-10-2020
[30] 09-04-2020 / EU / 007799960
[51] Cl. 28-03
[54] 修飾裝置
Grooming apparatus
[73] Koninklijke Philips N.V.
High Tech Campus 52,
5656 AG Eindhoven,
Netherlands
[74] Rouse & Co. International (Overseas) Limited
18/F., Golden Centre,
188 Des Voeux Road Central,
Hong Kong



-
- [11] 2016930.4M003
[15] 07-10-2020
[30] 09-04-2020 / EU / 007799960
[51] Cl. 28-03
[54] 修飾裝置的梳
Comb for grooming apparatus
[73] Koninklijke Philips N.V.
High Tech Campus 52,
5656 AG Eindhoven,
Netherlands
[74] Rouse & Co. International (Overseas) Limited
18/F., Golden Centre,
188 Des Voeux Road Central,
Hong Kong



[11] 2016931.6

[15] 08-10-2020

[30] 09-04-2020 / US / 29/730,938

[51] Cl. 8-08

[54] 設備支架

Device holder and stand

[73] DaVinci II CSJ, LLC

79 Two Bridges Road,

Fairfield, New Jersey 07004,

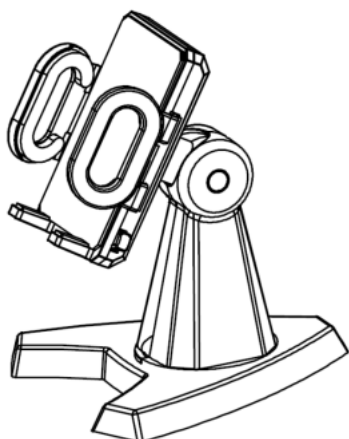
United States

[74] SPRUSON & FERGUSON (HONG KONG) LIMITED

5001 Hopewell Centre,

183 Queen's Road East,

Wan Chai, Hong Kong



[11] 2016934.2

[15] 09-10-2020

[51] Cl. 29-02

[54] 防菌口罩

Antibacterial mask

[73] NCK Limited

Flat/Rm E, 28/F, Block 2 Vigor Industrial Building,
49-53 Ta Chuen Ping Street,
Kwai Hing, Hong Kong

[74] PROREG INTELLECTUAL PROPERTY CONSULTING LIMITED

26/F,
88 Lockhart Rd,
Wan Chai, Hong Kong



[11] 2016935.5

[15] 09-10-2020

[51] Cl. 29-02

[54] 防菌口罩

Antibacterial mask

[73] NCK Limited

Flat/Rm E, 28/F, Block 2 Vigor Industrial Building,
49-53 Ta Chuen Ping Street,
Kwai Hing, Hong Kong

[74] PROREG INTELLECTUAL PROPERTY CONSULTING LIMITED

26/F,
88 Lockhart Rd,
Wan Chai, Hong Kong



[11] 2016936.7

[15] 09-10-2020

[51] Cl. 29-02

[54] 防菌口罩

Antibacterial mask

[73] NCK Limited

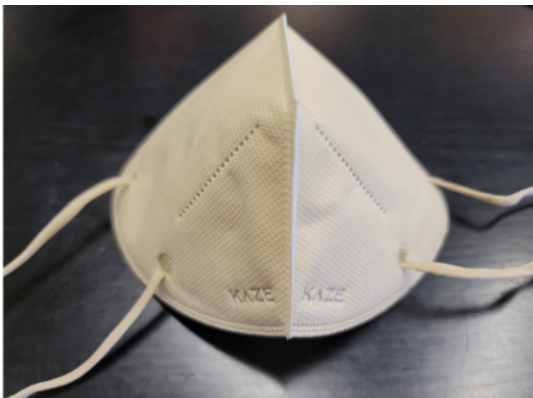
Flat/Rm E, 28/F, Block 2 Vigor Industrial Building,
49-53 Ta Chuen Ping Street, Kwai Hing,
Hong Kong

[74] PROREG INTELLECTUAL PROPERTY CONSULTING LIMITED

26/F,

88 Lockhart Rd,

Wan Chai, Hong Kong



[11] 2016937.9

[15] 09-10-2020

[30] 10-04-2020 / JP / 007591 of 2020

[51] Cl. 9-03

[54] 包裝盒

Packaging box

[73] ROHTO PHARMACEUTICAL CO., LTD.
1-8-1, Tatsumi-Nishi, Ikuko-Ku,
Osaka-shi, Osaka,
Japan

[74] WILKINSON & GRIST
6th Floor, Prince's Building,
Chater Road,
Hong Kong



[11] 2016938.1

[15] 09-10-2020

[30] 10-04-2020 / JP / 007592 of 2020

[51] Cl. 9-03

[54] 包裝盒

Packaging box

[73] ROHTO PHARMACEUTICAL CO., LTD.
1-8-1, Tatsumi-Nishi, Ikuko-ku,
Osaka-shi, Osaka,
Japan

[74] WILKINSON & GRIST
6th Floor, Prince's Building,
Chater Road,
Hong Kong



[11] 2016940.5M001

[15] 09-10-2020

[30] 09-04-2020 / EU / 007801725-0003

[51] Cl. 2-04

[54] 涼鞋
Sandal

[73] Birkenstock GmbH & Co. KG
Burg Ockenfels,
53545 Linz,
Germany

[74] DEACONS
5th Floor, Alexandra House,
Central,
Hong Kong



[11] 2016940.5M002

[15] 09-10-2020

[30] 09-04-2020 / EU / 007801725-0010

[51] Cl. 2-07

[54] 環扣
Ring buckle

[73] Birkenstock GmbH & Co. KG
Burg Ockenfels,
53545 Linz,
Germany

[74] DEACONS
5th Floor, Alexandra House,
Central,
Hong Kong



[11] 2016940.5M003

[15] 09-10-2020

[30] 09-04-2020 / EU / 007801725-0011

[51] Cl. 2-04

[54] 涼鞋
Sandal

[73] Birkenstock GmbH & Co. KG
Burg Ockenfels,
53545 Linz,
Germany

[74] DEACONS
5th Floor, Alexandra House,
Central,
Hong Kong



[11] 2016940.5M004

- [15] 09-10-2020
- [30] 09-04-2020 / EU / 007801725-0012
- [51] Cl. 2-04
- [54] 涼鞋
Sandal
- [73] Birkenstock GmbH & Co. KG
Burg Ockenfels,
53545 Linz,
Germany
- [74] DEACONS
5th Floor, Alexandra House,
Central,
Hong Kong



-
- [11] 2016943.1
- [15] 09-10-2020
- [51] Cl. 11-02
- [54] 黃大仙師金身神像
Master Wong Tai Sin gold figurine
- [73] 齋色園
SIK SIK YUEN
香港九龍
黃大仙竹園村 2 號
齋色園黃大仙祠
- [74] 劉國基
香港中環
都爹利街 6 號
印刷行 7 樓 701 室



[11] 2016944.3

[15] 10-10-2020

[51] Cl. 15-99

[54] 自主運送機器人

Autonomous delivery robot

[73] 香港生產力促進局

Hong Kong Productivity Council

香港九龍

達之路 78 號

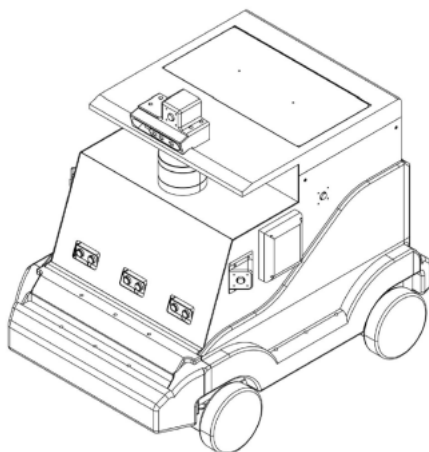
生產力大樓

[74] 三友知識產權代理有限公司

香港灣仔

駱克道 160-174 號

越秀大廈 6 樓 601 室



[11] 2016945.6M001

[15] 12-10-2020

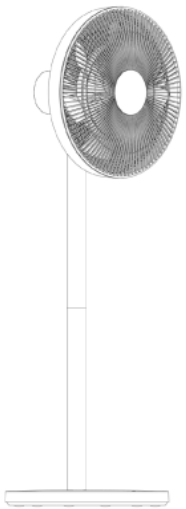
[30] 15-04-2020 / CN / 202030150376.7

[51] Cl. 23-04

[54] 風扇
Fan

[73] 北京小米移動軟件有限公司
BEIJING XIAOMI MOBILE SOFTWARE CO., LTD.
中國內地
北京市海澱區西二旗中路 33 號院
6 號樓 8 層 018 號

[74] 香港派特恩知識產權代理有限公司
香港上環
永樂街 121-125 號
永達商業大廈 10 樓 C 室



[11] 2016945.6M002

[15] 12-10-2020

[30] 15-04-2020 / CN / 202030150376.7

[51] Cl. 23-04

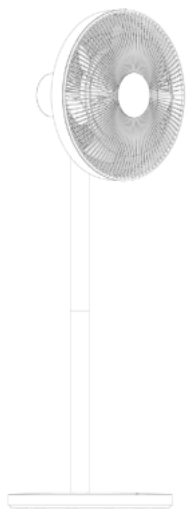
[54] 風扇
Fan

[73] 北京小米移動軟件有限公司
BEIJING XIAOMI MOBILE SOFTWARE CO., LTD.
中國內地
北京市海澱區西二旗中路 33 號院
6 號樓 8 層 018 號

[74] 香港派特恩知識產權代理有限公司
香港上環

永樂街 121-125 號

永達商業大廈 10 樓 C 室



[11] 2016949.4

[15] 14-10-2020

[30] 20-04-2020 / CN / 202030161603.6

[51] Cl. 7-02

[54] 電熱鍋

Electric cooker

[73] 廣東美的生活電器製造有限公司

Guangdong Midea Consumer Electric Manufacturing Co., Ltd.

中國內地

佛山市順德區北滘鎮三樂路 19 號

[74] 香港派特恩知識產權代理有限公司

香港上環

永樂街 121-125 號

永達商業大廈 10 樓 C 室



[11] 2016950.6

[15] 14-10-2020

[51] Cl. 29-02

[54] 兩摺式面罩

2 Fold face mask

[73] 梁遠生

LEUNG Yuen Sang

Flat 1011A, 10/F, Block 1, Nan Fung Industrial City,

Tin Hau Road,

Hong Kong

[74] 梁遠生

Flat 1011A, 10/F, Block 1, Nan Fung Industrial City,

Tin Hau Road,

Hong Kong



[11] 2016956.9

[15] 15-10-2020

[30] 16-04-2020 / CH, GB, EU, JP, KR / WIPO94117

[51] Cl. 11-01

[54] 珠寶

Jewellery

[73] CARTIER INTERNATIONAL AG

Hinterbergstrasse 22,

6312 Steinhausen,

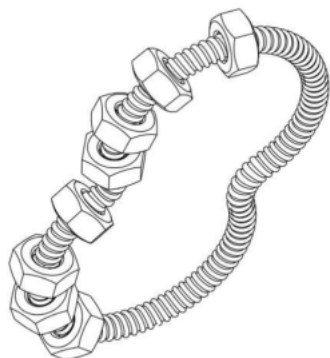
Switzerland

[74] LETTERS & THOO LIMITED

Suite 1008, Prosperity Millennia Plaza,

663 King's Road,

Quarry Bay, Hong Kong



[11] 2016958.3

[15] 15-10-2020

[30] 30-06-2020 / EU / 008026199

[51] Cl. 5-06

[54] 人造或天然材料之片材

Sheet of artificial or natural material

[73] Salvatore Ferragamo S.p.A.

Via dei Tornabuoni 2,

50123 Firenze,

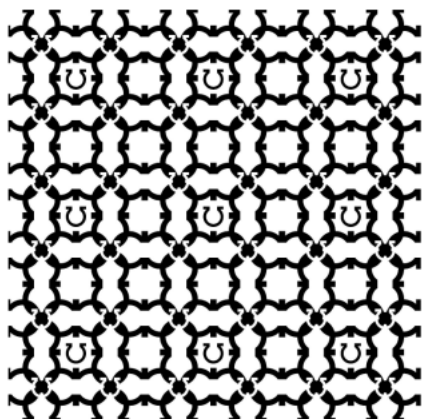
Italy

[74] GALLANT

5/F Jardine House,

1 Connaught Place,

Central, Hong Kong



[11] 2016960.7

- [15] 16-10-2020
- [30] 16-04-2020 / FR / 2020-1620
- [51] Cl. 3-01
- [54] 手袋
Handbag
- [73] ATELIER DE PRODUCTION ET DE CREATION
39 rue Madame,
75006 Paris,
France
- [74] WILKINSON & GRIST
6th Floor, Prince's Building,
Chater Road,
Hong Kong



-
- [11] 2016962.1
- [15] 16-10-2020
- [51] Cl. 10-06
- [54] 道路閃燈
Road flash light
- [73] SUN EVER CORPORATION LIMITED
2 Tung Mau Square,
Tai Po Market,
Tai Po, N.T., Hong Kong
- [74] HONG KONG INTELLECTUAL PROPERTY AGENT LIMITED
Unit 230, 2/F, Building 12W,
No. 12 Science Park West Avenue,
Phase 3, Hong Kong Science Park,
Pak Shek Kok, N.T., Hong Kong





香港特別行政區政府知識產權署外觀設計註冊處

The Government of the Hong Kong Special Administrative Region

Designs Registry, Intellectual Property Department

根據註冊外觀設計條例第 28 條，下列註冊外觀設計因未繳續期費而停止有效。

各組記項按註冊外觀設計停止有效日期及註冊編號先後次序排列。

Registered designs ceased through non-payment of renewal fees under section 28 of the Registered Designs Ordinance. Entries are listed below under their expiry dates.

28-10-2020 - 03-11-2020

28-10-2020

1001989.9M001	1002012.9M013
1001989.9M002	1002012.9M014
1001999.0	1502362.5
	1502367.6M001
	1502367.6M003

29-10-2020

1502353.6	1502368.8
1502355.1	1502369.0

1502357.5

1502358.7M001

1502358.7M002

1502360.1

1502361.3

02-11-2020

1002027.1

1002028.3

1502370.2

1502374.0

1502375.3

1502376.5

31-10-2020

0502641.6M001

0502641.6M002

1002004.2

03-11-2020

1002034.5

1502378.9

1502379.1

01-11-2020

1002010.5

1002011.7M002

1002012.9M001

1002012.9M002

1002012.9M003

1002012.9M004

1002012.9M005

1002012.9M006

1002012.9M007

1002012.9M008

1002012.9M009

1002012.9M010

1002012.9M011

1002012.9M012



香港特別行政區政府知識產權署外觀設計註冊處

The Government of the Hong Kong Special Administrative Region

Designs Registry, Intellectual Property Department

根據註冊外觀設計規則第 31 條刪除的註冊外觀設計。各組記項按註冊外觀設計刪除日期及註冊編號先後次序排列。

Registered designs removed under section 31 of the Registered Designs Rules. Entries are listed below under their removal dates.

17-12-2020 - 23-12-2020

17-12-2020

0500997.8M034

0500997.8M036

0500997.8M038

1000774.2

1000777.9M001

1000777.9M002

1000781.7M001

1000781.7M002

1000781.7M004

1500957.6

1500958.8

1500959.0

1500960.2

1500965.3

1500972.7M002

1500973.9

21-12-2020

0010539.5M001

22-12-2020

1000797.1

1000799.5

1000804.7

1000807.4

1000808.6

1000809.8

23-12-2020

0501018.4

1000812.4

1000813.6

1500976.6M001

1500976.6M002

1500976.6M003

1500977.8

1500978.0M001

1500978.0M002

1500978.0M003

1500979.2M001

18-12-2020

1000782.9

1000784.3M001

1000784.3M002

1000786.8

1000787.0

1000789.4

1500966.5M001

1500966.5M002

1500967.7M001

1500967.7M002

1500967.7M003

1500968.9M001

1500968.9M002

1500969.1

1500970.3

1500971.5

1500972.7M001