

# 香港知識產權公報

Hong Kong Intellectual Property Journal

2022年4月8日

08 April 2022

## 目錄 Contents

### 根據註冊外觀設計條例第 25 條註冊的外觀設計

#### **Designs Registered under section 25 of the Registered Designs Ordinance**

按註冊編號排列

Arranged by Registration Number

### 根據註冊外觀設計條例(第 522 章)公布的其他公告

#### **Other Notices Published under the Registered Designs Ordinance (Cap. 522)**

根據註冊外觀設計條例第 28 條，註冊外觀設計因未繳續期費而停止有效

Registered designs ceased through non-payment of renewal fees under section 28 of the Registered Designs Ordinance

根據註冊外觀設計規則第 31 條刪除的註冊外觀設計

Registered designs removed under section 31 of the Registered Designs Rules

### 以下事項沒有記錄

#### **No Records for the Following Matters**

根據註冊外觀設計條例第 30 條放棄的外觀設計的註冊

Surrender of Registration of Design under section 30 of the Registered Designs Ordinance

根據註冊外觀設計規則第 37 條，向處長作出轉介

Reference to Registrar under section 37 of the Registered Designs Rules

根據註冊外觀設計條例第 45 條，撤銷註冊

Revocation of Registration under section 45 of the Registered Designs Ordinance

根據註冊外觀設計規則第 46 條，向法院作出轉介

Reference to Court under section 46 of the Registered Designs Rules

根據註冊外觀設計規則第 63 條對不符合規定之處作出糾正

Rectification of Irregularities under section 63 of the Registered Designs Rules

根據註冊外觀設計條例第 66 條，糾正註冊紀錄冊

Rectification of Register under section 66 of the Registered Designs Ordinance

根據註冊外觀設計條例第 67 條 更正註冊紀錄冊內的錯誤

Correction of errors in Register under section 67 of the Registered Designs Ordinance

根據註冊外觀設計條例第 67 及 76 條，更正註冊紀錄冊內及已提交文件中的錯誤

Correction of Errors in Register and in Filed Documents under sections 67 and 76 of the Registered Designs Ordinance

根據註冊外觀設計條例第 76 條，更正已提交文件中的錯誤

Correction of errors in filed documents under section 76 of the Registered Designs Ordinance

勘誤

Corrigendum

## 註冊外觀設計公告註釋

### Notes on advertisements of registration of designs

方括號表示下列資料：

Square brackets indicate the following data：

[11] 註冊編號 Registration number / 聯合王國註冊編號 United Kingdom registration number

[15] 註冊日期 Registration date / 當作註冊日期 Deemed registration date / 聯合王國註冊日期 United Kingdom registration date

[17] 註冊有效期屆滿日期 Expiry date of the period of registration

[22] 提交日期 Filing date / 當作提交日期 Deemed filing date / 聯合王國提交日期 United Kingdom filing date

[30] 聲稱享有的優先權（提交日期 / 巴黎公約國或世界貿易組織成員 / 申請編號） Priority claimed (filing date / Paris Convention country or WTO member / application number)

[51] 國際外觀設計分類號（洛迦諾分類號） International Classification of designs (Locarno Classification)

[54] 物品 Article

[55] 外觀設計的表述 Representation of the design

[62] 分開前的申請編號及提交日期 Application number before division and filing date

[66] 過往註冊的聯繫外觀設計註冊編號 / 日期 Registration No. / Date of Previous Registration for Association

[72] 設計人 Designer

[73] 擁有人姓名和地址 Name and address of the owner

[74] 代理人 Agent /送達地址 Address for service



香港特別行政區政府知識產權署外觀設計註冊處  
The Government of the Hong Kong Special Administrative Region  
Designs Registry, Intellectual Property Department

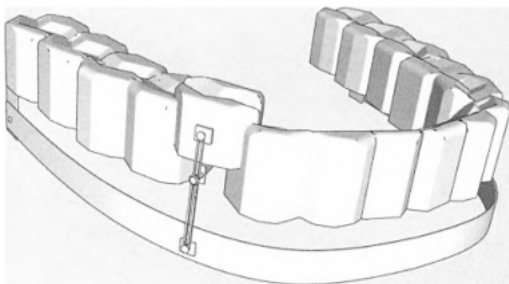
## 根據註冊外觀設計條例第 25 條註冊的外觀設計

### Designs registered under section 25 of the Registered Designs Ordinance

按註冊編號排列

Arranged by Registration Number

- [11] 2118819.2
- [15] 11-10-2021
- [51] Cl. 24-99
- [54] 透明牙套與牙科正畸托架及路徑系統  
Dental bracket and path system in clear aligner
- [73] 楊幽幽  
YOUNG YAU YAU CECILIA  
Room B, 11/F., Full Win Commercial Centre,  
573 Nathan Road, Mongkok,  
Kowloon, Hong Kong
- [74] Young Cecilia  
Room B, 11/F., Full Win Commercial Centre,  
573 Nathan Road, Mongkok,  
Kowloon, Hong Kong



- 
- [11] 2119001.8
  - [15] 23-11-2021
  - [30] 24-05-2021 / FR / 20212501
  - [51] Cl. 3-01
  - [54] 行李箱  
Luggage
  - [73] LOUIS VUITTON MALLETIER  
2 rue du Pont-Neuf,

75001 Paris,  
France

[74] BAKER & MCKENZIE  
14th Floor, One Taikoo Place,  
979 King's Road,  
Quarry Bay, Hong Kong



---

[11] 2119002.0

[15] 23-11-2021

[30] 24-05-2021 / FR / 20212501

[51] Cl. 3-01

[54] 行李箱

Luggage

[73] LOUIS VUITTON MALLETIER

2 rue du Pont-Neuf,

75001 Paris,

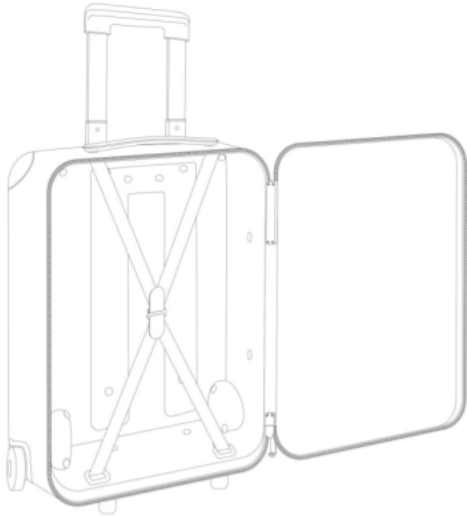
France

[74] BAKER & MCKENZIE

14th Floor, One Taikoo Place,

979 King's Road,

Quarry Bay, Hong Kong



---

[11] 2119068.9M001

[15] 02-12-2021

[30] 23-06-2021 / EU / 008586622-0002

[51] Cl. 7-01

[54] 奶嘴

Teat

[73] Koninklijke Philips N.V.

High Tech Campus 52,

5656 AG Eindhoven,

Netherlands

[74] Rouse & Co. International (Overseas) Limited

26/F., Tesbury Centre,

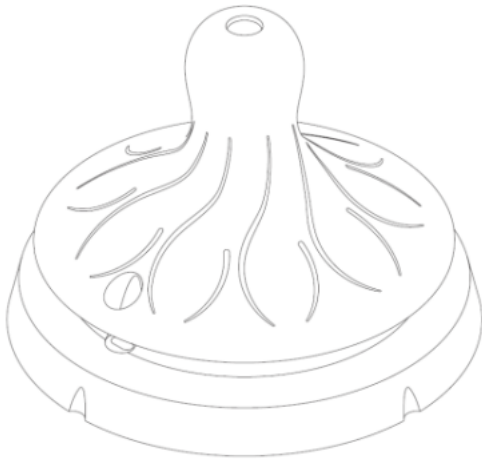
28 Queen's Road East,

Hong Kong





- [11] 2119068.9M002  
[15] 02-12-2021  
[30] 23-06-2021 / EU / 008586622-0003  
[51] Cl. 7-01  
[54] 奶嘴  
Teat  
[73] Koninklijke Philips N.V.  
High Tech Campus 52,  
5656 AG Eindhoven,  
Netherlands  
[74] Rouse & Co. International (Overseas) Limited  
26/F., Tesbury Centre,  
28 Queen's Road East,  
Hong Kong



- 
- [11] 2119068.9M003  
[15] 02-12-2021  
[30] 23-06-2021 / EU / 008586622-0004  
[51] Cl. 7-01  
[54] 奶嘴的部份  
Part of teat  
[73] Koninklijke Philips N.V.  
High Tech Campus 52,  
5656 AG Eindhoven,  
Netherlands  
[74] Rouse & Co. International (Overseas) Limited  
26/F., Tesbury Centre,  
28 Queen's Road East,  
Hong Kong



---

[11] 2119068.9M004

[15] 02-12-2021

[30] 23-06-2021 / EU / 008586622-0005

[51] Cl. 7-01

[54] 奶嘴的部份

Part of teat

[73] Koninklijke Philips N.V.

High Tech Campus 52,

5656 AG Eindhoven,

Netherlands

[74] Rouse & Co. International (Overseas) Limited

26/F., Tesbury Centre,

28 Queen's Road East,

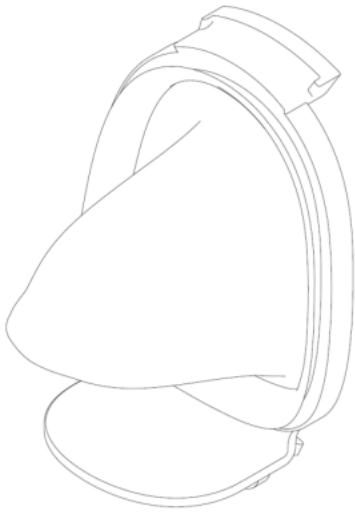
Hong Kong



---

[11] 2119098.2M001

- [15] 07-12-2021  
[30] 10-06-2021 / EU / 008568653-0034  
[51] Cl. 24-02  
[54] 母乳泵  
Breast pump  
[73] Koninklijke Philips N.V.  
High Tech Campus 52,  
5656 AG Eindhoven,  
Netherlands  
[74] Rouse & Co. International (Overseas) Limited  
26/F., Tesbury Centre,  
28 Queen's Road East.  
Hong Kong



- 
- [11] 2119098.2M002  
[15] 07-12-2021  
[30] 10-06-2021 / EU / 008568653-0036  
[51] Cl. 24-02  
[54] 母乳泵  
Breast pump  
[73] Koninklijke Philips N.V.  
High Tech Campus 52,  
5656 AG Eindhoven,  
Netherlands  
[74] Rouse & Co. International (Overseas) Limited  
26/F., Tesbury Centre,  
28 Queen's Road East.  
Hong Kong



---

[11] 2119098.2M003

[15] 07-12-2021

[30] 10-06-2021 / EU / 008568653-0050

[51] Cl. 24-02

[54] 母乳泵

Breast pump

[73] Koninklijke Philips N.V.

High Tech Campus 52,

5656 AG Eindhoven,

Netherlands

[74] Rouse & Co. International (Overseas) Limited

26/F., Tesbury Centre,

28 Queen's Road East.

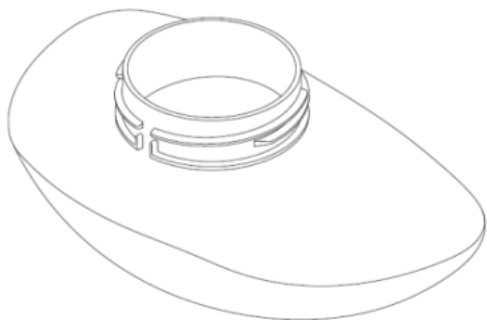
Hong Kong



- [11] 2119098.2M004  
[15] 07-12-2021  
[30] 10-06-2021 / EU / 008568653-0052  
[51] Cl. 24-02  
[54] 母乳泵  
Breast pump  
[73] Koninklijke Philips N.V.  
High Tech Campus 52,  
5656 AG Eindhoven,  
Netherlands  
[74] Rouse & Co. International (Overseas) Limited  
26/F., Tesbury Centre,  
28 Queen's Road East.  
Hong Kong



- 
- [11] 2119098.2M005  
[15] 07-12-2021  
[30] 10-06-2021 / EU / 008568653-0078  
[51] Cl. 24-02  
[54] 母乳泵的容器  
Container for breast pump  
[73] Koninklijke Philips N.V.  
High Tech Campus 52,  
5656 AG Eindhoven,  
Netherlands  
[74] Rouse & Co. International (Overseas) Limited  
26/F., Tesbury Centre,  
28 Queen's Road East.  
Hong Kong



---

[11] 2119104.6

[15] 08-12-2021

[30] 17-06-2021 / FR / 20212969

[51] Cl. 11-01

[54] 首飾

Jewellery

[73] LOUIS VUITTON MALLETIER

2 rue du Pont-Neuf

75001 Paris

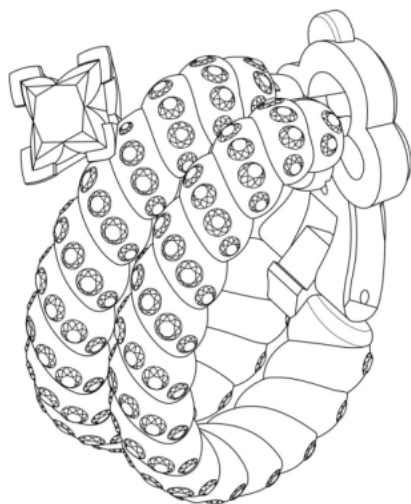
France

[74] BAKER & MCKENZIE

14th Floor, One Taikoo Place,

979 King's Road, Quarry Bay,

Hong Kong



---

[11] 2119105.9

[15] 08-12-2021

[30] 17-06-2021 / FR / 20212969

[51] Cl. 11-01

[54] 首飾

Jewellery

[73] LOUIS VUITTON MALLETIER

2 rue du Pont-Neuf,

75001 Paris,

France

[74] BAKER & MCKENZIE

14th Floor, One Taikoo Place,

979 King's Road, Quarry Bay,

Hong Kong



---

[11] 2119106.1

[15] 08-12-2021

[30] 17-06-2021 / FR / 20212969

[51] Cl. 11-01

[54] 首飾

Jewellery

[73] LOUIS VUITTON MALLETIER

2 rue du Pont-Neuf,

75001 Paris,

France

[74] BAKER & MCKENZIE

14th Floor, One Taikoo Place,

979 King's Road, Quarry Bay,

Hong Kong



---

[11] 2119107.3

[15] 08-12-2021

[30] 17-06-2021 / FR / 20212966

[51] Cl. 11-01

[54] 首飾

Jewellery

[73] LOUIS VUITTON MALLETIER

2 rue du Pont-Neuf,

75001 Paris,

France

[74] BAKER & MCKENZIE

14th Floor, One Taikoo Place,

979 King's Road, Quarry Bay,

Hong Kong





- [11] 2119108.5  
[15] 08-12-2021  
[30] 17-06-2021 / FR / 20212965  
[51] Cl. 11-01  
[54] 首飾  
Jewellery  
[73] LOUIS VUITTON MALLETIER  
2 rue du Pont-Neuf,  
75001 Paris,  
France  
[74] BAKER & MCKENZIE  
14th Floor, One Taikoo Place,  
979 King's Road, Quarry Bay,  
Hong Kong



- 
- [11] 2119111.1  
[15] 08-12-2021  
[30] 16-06-2021 / FR / 20212945  
[51] Cl. 11-01  
[54] 首飾  
Jewellery  
[73] LOUIS VUITTON MALLETIER  
2 rue du Pont-Neuf,  
75001 Paris,  
France  
[74] BAKER & MCKENZIE  
14th Floor, One Taikoo Place,  
979 King's Road, Quarry Bay,  
Hong Kong



---

[11] 2119112.3

[15] 08-12-2021

[30] 16-06-2021 / FR / 20212942

[51] Cl. 11-01

[54] 首飾

Jewellery

[73] LOUIS VUITTON MALLETIER

2 rue du Pont-Neuf,

75001 Paris,

France

[74] BAKER & MCKENZIE

14th Floor, One Taikoo Place,

979 King's Road, Quarry Bay,

Hong Kong



---

[11] 2119113.5

[15] 08-12-2021

[30] 08-06-2021 / FR / 20212786

[51] Cl. 11-01

[54] 首飾

Jewellery

[73] LOUIS VUITTON MALLETIER

2 rue du Pont-Neuf,

75001 Paris,

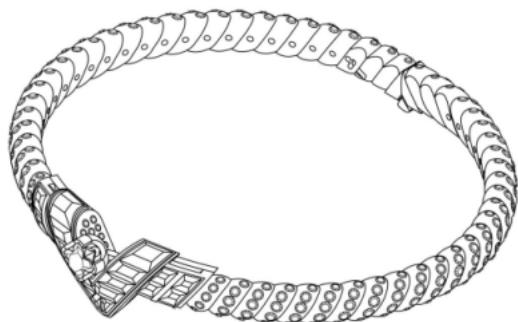
France

[74] BAKER & MCKENZIE

14th Floor, One Taikoo Place,

979 King's Road, Quarry Bay,

Hong Kong



---

[11] 2119115.0

[15] 08-12-2021

[30] 08-06-2021 / FR / 20212786

[51] Cl. 11-01

[54] 首飾

Jewellery

[73] LOUIS VUITTON MALLETIER

2 rue du Pont-Neuf,

75001 Paris,

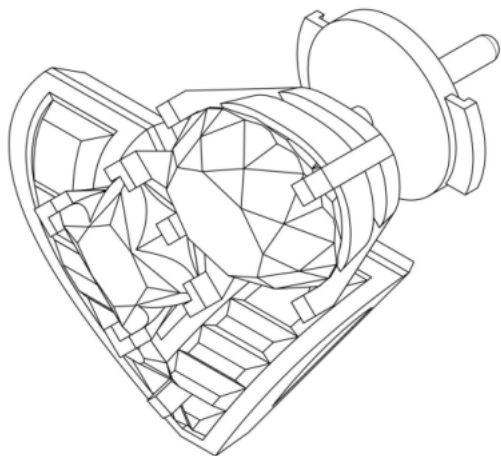
France

[74] BAKER & MCKENZIE

14th Floor, One Taikoo Place,

979 King's Road, Quarry Bay,

Hong Kong



---

[11] 2119116.2

[15] 08-12-2021

[30] 15-06-2021 / FR / 20212922

[51] Cl. 11-01

[54] 首飾

Jewellery

[73] LOUIS VUITTON MALLETIER

2 rue du Pont-Neuf,

75001 Paris,

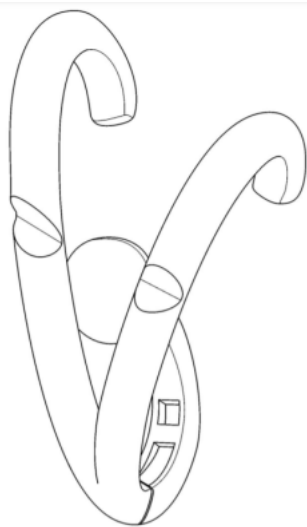
France

[74] BAKER & MCKENZIE

14th Floor, One Taikoo Place,

979 King's Road, Quarry Bay,

Hong Kong



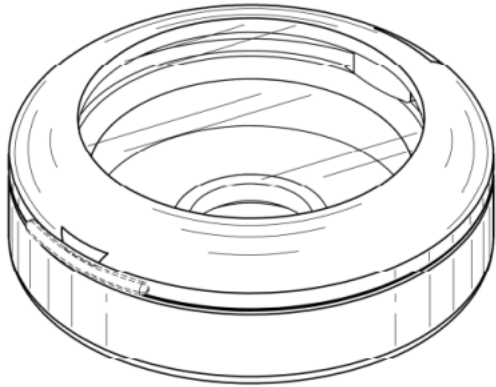
---

[11] 2119118.6

- [15] 08-12-2021  
[30] 08-06-2021 / FR / 20212786  
[51] Cl. 11-01  
[54] 首飾  
Jewellery  
[73] LOUIS VUITTON MALLETIER  
2 rue du Pont-Neuf,  
75001 Paris,  
France  
[74] BAKER & MCKENZIE  
14th Floor, One Taikoo Place,  
979 King's Road, Quarry Bay,  
Hong Kong



- 
- [11] 2119173.1M001  
[15] 16-12-2021  
[30] 16-06-2021 / US / 29/795,059  
[51] Cl. 28-02  
[54] 模塊化的調色板  
Modular palette  
[73] ELC MANAGEMENT LLC  
155 Pinelawn Road, Suite 345 South,  
Melville, NY 11747,  
United States of America  
[74] CHINA PATENT AGENT (HONG KONG) LIMITED  
22/F, Great Eagle Centre,  
23 Harbour Road,  
Wanchai, Hong Kong



---

[11] 2119173.1M002

[15] 16-12-2021

[30] 16-06-2021 / US / 29/795,059

[51] Cl. 28-02

[54] 模塊化的調色板

Modular palette

[73] ELC MANAGEMENT LLC

155 Pinelawn Road, Suite 345 South,

Melville, NY 11747,

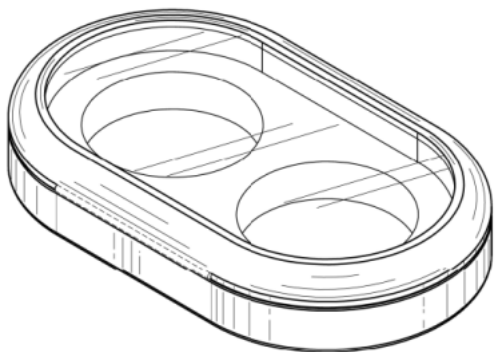
United States of America

[74] CHINA PATENT AGENT (HONG KONG) LIMITED

22/F, Great Eagle Centre,

23 Harbour Road,

Wanchai, Hong Kong



---

[11] 2119173.1M003

[15] 16-12-2021

[30] 16-06-2021 / US / 29/795,059

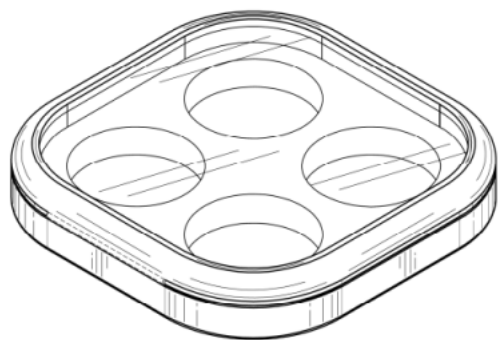
[51] Cl. 28-02

[54] 模塊化的調色板

Modular palette

[73] ELC MANAGEMENT LLC  
155 Pinelawn Road, Suite 345 South,  
Melville, NY 11747,  
United States of America

[74] CHINA PATENT AGENT (HONG KONG) LIMITED  
22/F, Great Eagle Centre,  
23 Harbour Road,  
Wanchai, Hong Kong



---

[11] 2119173.1M004

[15] 16-12-2021

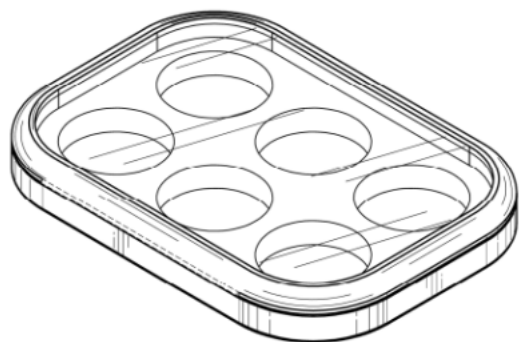
[30] 16-06-2021 / US / 29/795,059

[51] Cl. 28-02

[54] 模塊化的調色板  
Modular palette

[73] ELC MANAGEMENT LLC  
155 Pinelawn Road, Suite 345 South,  
Melville, NY 11747,  
United States of America

[74] CHINA PATENT AGENT (HONG KONG) LIMITED  
22/F, Great Eagle Centre,  
23 Harbour Road,  
Wanchai, Hong Kong



[11] 2119173.1M005

[15] 16-12-2021

[30] 16-06-2021 / US / 29/795,059

[51] Cl. 28-02

[54] 模塊化的調色板

Modular palette

[73] ELC MANAGEMENT LLC

155 Pinelawn Road, Suite 345 South,

Melville, NY 11747,

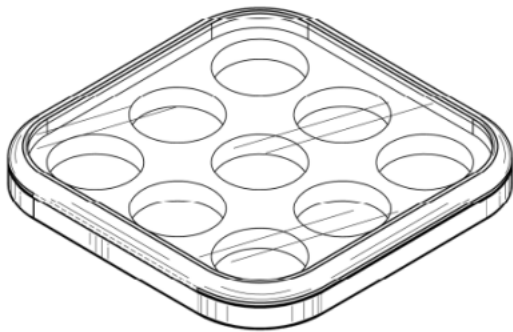
United States of America

[74] CHINA PATENT AGENT (HONG KONG) LIMITED

22/F, Great Eagle Centre,

23 Harbour Road,

Wanchai, Hong Kong



---

[11] 2119173.1M006

[15] 16-12-2021

[30] 16-06-2021 / US / 29/795,059

[51] Cl. 28-02

[54] 模块化的调色板

Modular palette

[73] ELC MANAGEMENT LLC

155 Pinelawn Road, Suite 345 South,

Melville, NY 11747,

United States of America

[74] CHINA PATENT AGENT (HONG KONG) LIMITED

22/F, Great Eagle Centre,

23 Harbour Road,

Wanchai, Hong Kong





---

[11] 2119174.3

[15] 16-12-2021

[30] 22-06-2021 / US / 29/796,136

[51] Cl. 3-01

[54] 收藏硬幣盒

Collectible coin holder

[73] Provenance NGC LLC

5501 Communications Parkway,

Sarasota, FL 34240,

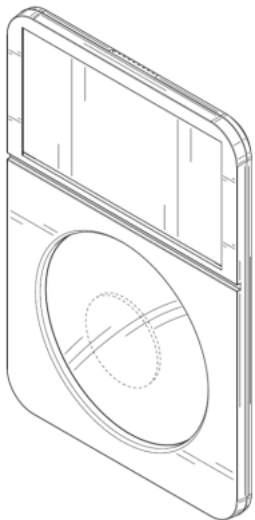
United States of America

[74] HNC INNOVATION LIMITED

Units 1205-1208, Cyberport 2,

No. 100 Cyberport Road,

Hong Kong



---

[11] 2119214.9

[15] 22-12-2021

[30] 27-09-2021 / EU / 008706618-0001

[51] Cl. 3-01

[54] 手提包

Handbag

[73] JEAN PATOU

24/32 rue Jean Goujon,

75008 Paris,

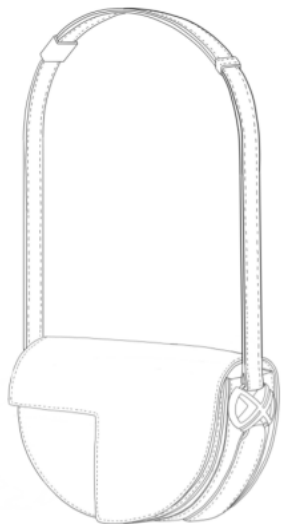
France

[74] WENPING PATENT & TRADE MARK AGENT LIMITED

1701 Tung Wai Commercial Building,

111 Gloucester Road,

Hong Kong



---

[11] 2219337.1

[15] 25-01-2022

[51] Cl. 10-02

[54] 錶

Watch

[73] Christopher LIANG trading as CHRISTOPHER LIANG CO.

14/F, Manning House,

48 Queen's Road, Central,

Hong Kong

[74] HONG KONG PATENT & TRADEMARK AGENT LIMITED

Unit 10A, Grand Scholar Building,

No. 419k Queen's Road West,

Hong Kong



---

[11] 2219355.9

[15] 28-01-2022

[30] 09-12-2021 / JP / 027096 of 2021

[51] Cl. 21-01

[54] 立體金屬拼圖

3-Dimensional metallic puzzle

[73] Hanayama International Trading Limited

Flat A, 7/F,

No. 1 Chatham Road South,

Tsim Sha Tsui, Kowloon, Hong Kong

[74] Ms Cansi Wong (Hanayama International Trading Limited)

Flat A, 7/F,

No. 1 Chatham Road South,

Tsim Sha Tsui, Kowloon, Hong Kong



---

[11] 2219393.8

[15] 10-02-2022

[51] Cl. 8-03

[54] 剪刀

Scissors

[73] Dorco Co., Ltd.

36-9, Hyoryeong-ro 70-gil,  
Seocho-gu, Seoul 06723,  
Republic of Korea

[74] BARRON & YOUNG INTELLECTUAL PROPERTY LIMITED

Suite 617, Lakeside 2,  
No. 10 Science Park West Avenue,  
Hong Kong Science Park, Shatin,  
New Territories, Hong Kong



---

[11] 2219399.1M001

[15] 11-02-2022

[30] 13-08-2021 / AU / 202114844

[51] Cl. 13-03

[54] 用於電源和/或數據的桌面安裝電源插座

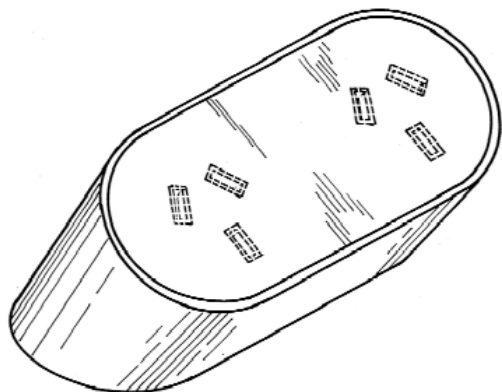
A desk mounted electrical outlet for power and/or data

[73] Electracom Pty Ltd

24 Binney Road,  
Kings Park NSW 2148,  
Australia

[74] MARKS & CLERK

Level 9, Cyberport 1,  
100 Cyberport Road,  
Pok Fu Lam, Hong Kong



---

[11] 2219399.1M002

[15] 11-02-2022

[30] 13-08-2021 / AU / 202114845

[51] Cl. 13-03

[54] 用於電源和/或數據的桌面安裝電源插座

A desk mounted electrical outlet for power and/or data

[73] Electracom Pty Ltd

24 Binney Road,

Kings Park NSW 2148,

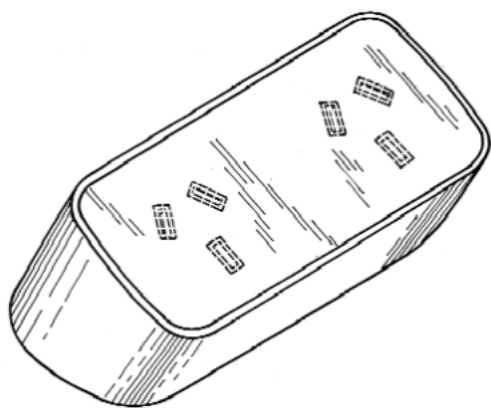
Australia

[74] MARKS & CLERK

Level 9, Cyberport 1,

100 Cyberport Road,

Pok Fu Lam, Hong Kong



---

[11] 2219413.2

[15] 17-02-2022

[51] Cl. 9-03

[54] 食物盒

Food box

[73] 王順明

Wong Shun Ming, Daniel

Flat E, 4/F, Block 2, Greenview Terrace,  
6 Castle Peak Road (Ting Kau) Tsuen Wan,  
New Territories, Hong Kong

[74] TRADEMARKCN COMPANY LIMITED

Block A, 4/F., Granville Building,  
14 Granville Road, Tsim Sha Tsui,  
Kowloon, Hong Kong



---

[11] 2219414.4

[15] 17-02-2022

[51] Cl. 9-03

[54] 食物盒

Food box

[73] 王順明

Wong Shun Ming, Daniel

Flat E, 4/F, Block 2, Greenview Terrace,  
6 Castle Peak Road (Ting Kau) Tsuen Wan,  
New Territories, Hong Kong

[74] TRADEMARKCN COMPANY LIMITED

Block A, 4/F., Granville Building,  
14 Granville Road, Tsim Sha Tsui,  
Kowloon, Hong Kong



---

[11] 2219415.7

[15] 17-02-2022

[51] Cl. 9-03

[54] 食物盒

Food box

[73] 王順明

Wong Shun Ming, Daniel

Flat E, 4/F, Block 2, Greenview Terrace,  
6 Castle Peak Road (Ting Kau) Tsuen Wan,  
New Territories, Hong Kong

[74] TRADEMARKCN COMPANY LIMITED

Block A, 4/F., Granville Building,  
14 Granville Road, Tsim Sha Tsui,  
Kowloon, Hong Kong



---

[11] 2219416.9

[15] 17-02-2022

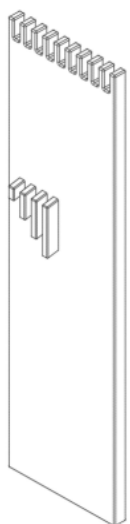
[51] Cl. 20-02

[54] 首飾陳列架

Display stand for jewelry

[73] 哈度有限公司  
Hazuto Limited  
香港葵芳  
葵涌廣場第 3 座 8G

[74] 江炳滔律師事務所  
香港灣仔  
告士打道 160 號  
海外信託銀行大廈 19 樓 B 室



---

[11] 2219417.1

[15] 17-02-2022

[51] Cl. 9-03

[54] 膠囊產品包裝盒  
Packaging box for capsule product

[73] 石家莊以嶺藥業股份有限公司  
Shijiazhuang Yiling Pharmaceutical Co., Ltd.  
中國河北省  
石家莊市高新技術開發區  
天山大街 238 號

[74] 江炳滔律師事務所  
香港灣仔  
告士打道 160 號  
海外信託銀行大廈 19 樓 B 室





[11] 2219421.9M001

[15] 19-02-2022

[30] 20-08-2021 / EU / 008657928

[51] Cl. 14-02

[54] 電子筆

Electronic pen

[73] Moleskine S.r.l.

Via Bergognone 34,

20144 Milano MI,

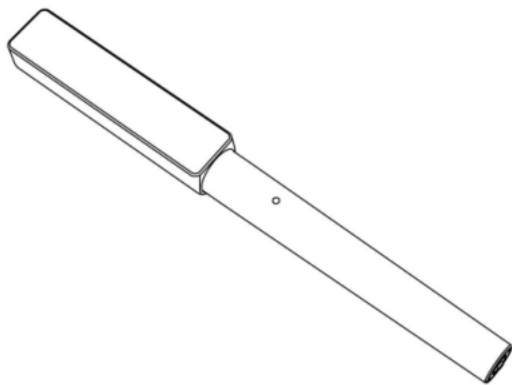
Italy

[74] IT&T INTERNATIONAL PATENT AND TRADEMARK AGENT LIMITED

1/F, Everglory Centre,

1B Kimberley Street,

Tsim Sha Tsui, Kowloon, Hong Kong



[11] 2219421.9M002

[15] 19-02-2022

[30] 20-08-2021 / EU / 008657928

[51] Cl. 14-02

[54] 電子筆

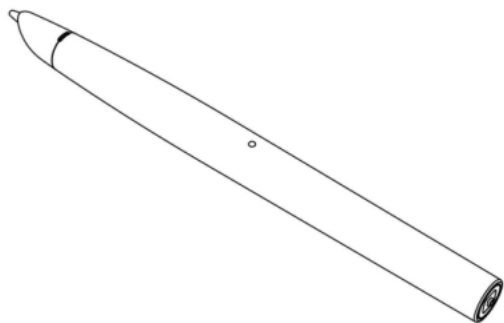
Electronic pen

[73] Moleskine S.r.l.

Via Bergognone 34,

20144 Milano MI,  
Italy

[74] IT&T INTERNATIONAL PATENT AND TRADEMARK AGENT LIMITED  
1/F, Everglory Centre,  
1B Kimberley Street,  
Tsim Sha Tsui, Kowloon, Hong Kong



---

[11] 2219422.1M001

[15] 21-02-2022

[30] 26-08-2021 / MC, MA, SG, CH, TR, UA, GB, EU / DM/216 087

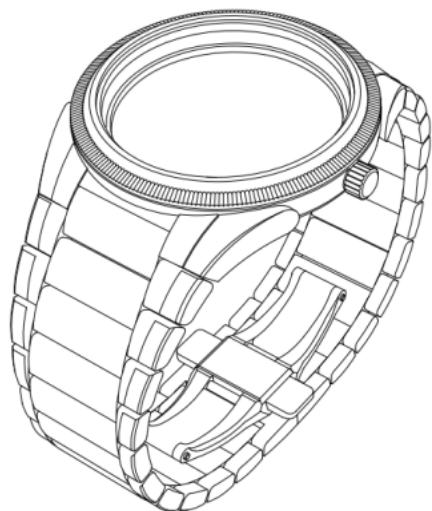
[51] Cl. 10-07

[54] 錶殼連錶帶

Watch case with bracelet

[73] Parmigiani Fleurier S.A.  
11, Rue du Temple,  
2114 Fleurier,  
Switzerland

[74] WENPING PATENT & TRADE MARK AGENT LIMITED  
1701 Tung Wai Commercial Building,  
111 Gloucester Road,  
Hong Kong



[11] 2219422.1M002

[15] 21-02-2022

[30] 26-08-2021 / MC, MA, SG, CH, TR, UA, GB, EU / DM/216 087

[51] Cl. 10-07

[54] 手錶錶帶

Watch bracelet

[73] Parmigiani Fleurier S.A.

11, Rue du Temple,

2114 Fleurier,

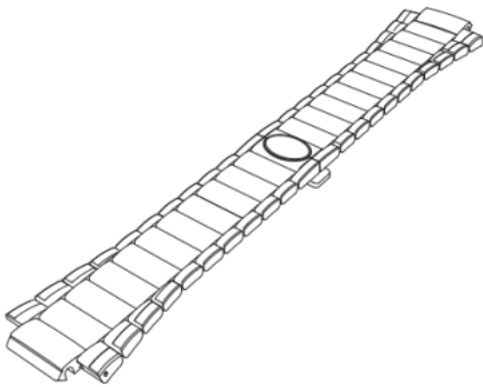
Switzerland

[74] WENPING PATENT & TRADE MARK AGENT LIMITED

1701 Tung Wai Commercial Building,

111 Gloucester Road,

Hong Kong



---

[11] 2219422.1M003

[15] 21-02-2022

[30] 26-08-2021 / MC, MA, SG, CH, TR, UA, GB, EU / DM/216 087

[51] Cl. 10-07

[54] 錶面

Watch dial

[73] Parmigiani Fleurier S.A.

11, Rue du Temple,

2114 Fleurier,

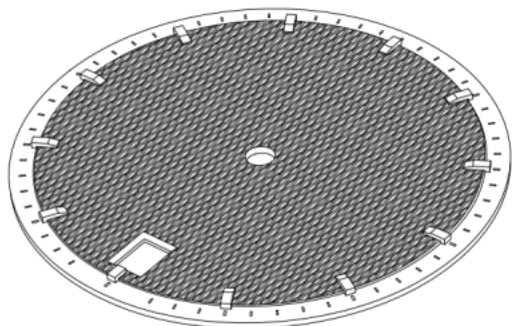
Switzerland

[74] WENPING PATENT & TRADE MARK AGENT LIMITED

1701 Tung Wai Commercial Building,

111 Gloucester Road,

Hong Kong



---

[11] 2219432.2M001

[15] 23-02-2022

[30] 28-09-2021 / CN / 202130645089.8

[51] C1. 14-03

[54] 手機

Mobile phone

[73] 榮耀終端有限公司

HONOR DEVICE CO., LTD.

中國廣東省深圳市福田區

香蜜湖街道紅荔西路 8089 號

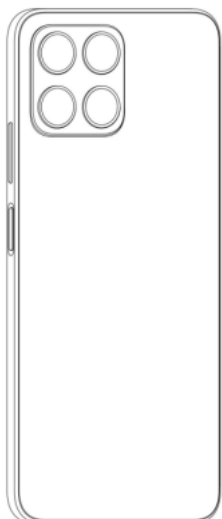
深業中城 6 號樓 A 單元 3401

[74] 集佳知識產權有限公司

香港九龍

旺角洗衣街 39-55 號

金雞廣場 12 層 1201 室



---

[11] 2219432.2M002

[15] 23-02-2022

[30] 28-09-2021 / CN / 202130645089.8

[51] C1. 14-03

[54] 手機

Mobile phone

[73] 榮耀終端有限公司

HONOR DEVICE CO., LTD.

中國廣東省深圳市福田區

香蜜湖街道紅荔西路 8089 號

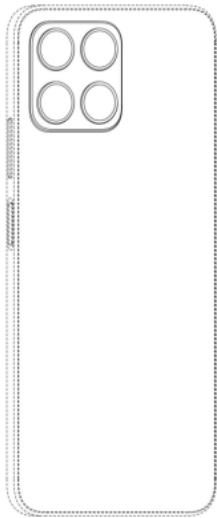
深業中城 6 號樓 A 單元 3401

[74] 集佳知識產權有限公司

香港九龍

旺角洗衣街 39-55 號

金雞廣場 12 層 1201 室



---

[11] 2219432.2M003

[15] 23-02-2022

[30] 28-09-2021 / CN / 202130645089.8

[51] C1. 14-03

[54] 手機

Mobile phone

[73] 榮耀終端有限公司

HONOR DEVICE CO., LTD.

中國廣東省深圳市福田區

香蜜湖街道紅荔西路 8089 號

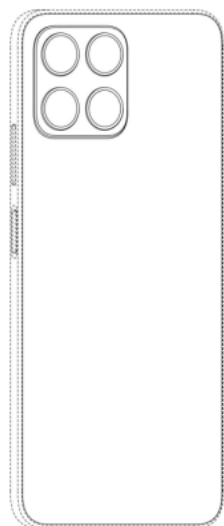
深業中城 6 號樓 A 單元 3401

[74] 集佳知識產權有限公司

香港九龍

旺角洗衣街 39-55 號

金雞廣場 12 層 1201 室



[11] 2219432.2M004

[15] 23-02-2022

[30] 28-09-2021 / CN / 202130645089.8

[51] C1. 14-03

[54] 手機

Mobile phone

[73] 榮耀終端有限公司

HONOR DEVICE CO., LTD.

中國廣東省深圳市福田區

香蜜湖街道紅荔西路 8089 號

深業中城 6 號樓 A 單元 3401

[74] 集佳知識產權有限公司

香港九龍

旺角洗衣街 39-55 號

金雞廣場 12 層 1201 室







香港特別行政區政府知識產權署外觀設計註冊處  
The Government of the Hong Kong Special Administrative Region  
Designs Registry, Intellectual Property Department

根據註冊外觀設計條例第 28 條，下列註冊外觀設計因未繳續期費而停止有效。

各組記項按註冊外觀設計停止有效日期及註冊編號先後次序排列。

**Registered designs ceased through non-payment of renewal fees under section 28 of the Registered Designs Ordinance. Entries are listed below under their expiry dates.**

**04-03-2022 - 09-03-2022**

<b>04-03-2022</b>	1700383.9M021	1200395.0M005
0700605.1	1700383.9M022	1700408.4
0700617.6	1700383.9M023	1700409.6
1200365.7	1700383.9M024	1700410.8
1200366.9	1700386.6	1700411.0
1200367.1	1700387.8	1700412.2
1200368.3	1700388.0	1700417.3
1200371.9M001	1700389.2	1700418.5
1200371.9M002	1700390.4	
1200372.1M002	1700391.6	
1200373.3	1700392.8	
	1700393.0	
<b>05-03-2022</b>	1700394.2	
0700634.1	1700395.5	
1700383.9M001	1700396.7	
1700383.9M002	1700397.9	
1700383.9M003	1700398.1	
1700383.9M004	1700399.3	
1700383.9M005	1700400.7	
1700383.9M006	1700401.9	
1700383.9M007	1700402.1	
1700383.9M008	1700403.3	
1700383.9M009	1700404.5	
1700383.9M010		
1700383.9M011		
1700383.9M012		
1700383.9M013		
1700383.9M014		
1700383.9M015		
1700383.9M016		
1700383.9M017		
1700383.9M018		
1700383.9M019		
1700383.9M020		
	<b>06-03-2022</b>	
	0210328.9	
	0210329.1	
	1200390.9	
	1200391.1M001	
	1200391.1M002	
	1200395.0M001	
	1200395.0M002	
	1200395.0M003	
	1200395.0M004	
		<b>07-03-2022</b>
		0210341.6M001
		0700596.0
		0700646.7M001
		0700646.7M002
		0700647.9M001
		0700647.9M002
		1200400.2M001
		1700420.9
		1700421.1
		1700422.3
		1700423.5
		1700424.7
		1700425.0
		1700426.2
		1700427.4M001
		1700427.4M002
		1700427.4M003
		1700428.6
		<b>08-03-2022</b>
		0700658.2
		0700659.4
		1200403.8
		1200406.5M001



1200406.5M002	1200407.7M031	1200407.7M079
1200406.5M003	1200407.7M032	1200407.7M080
1200406.5M004	1200407.7M033	1200407.7M081
1200406.5M005	1200407.7M034	1200407.7M082
1200406.5M006	1200407.7M035	1200407.7M083
1200406.5M007	1200407.7M036	1200407.7M084
1200406.5M008	1200407.7M037	1200407.7M085
1200406.5M009	1200407.7M038	1700435.1
1200406.5M010	1200407.7M039	
1200406.5M011	1200407.7M040	<b>09-03-2022</b>
1200406.5M012	1200407.7M041	1700437.5
1200406.5M013	1200407.7M042	1700438.7
1200406.5M014	1200407.7M043	1700441.3
1200406.5M015	1200407.7M044	1700446.4
1200406.5M016	1200407.7M045	1700447.6
1200406.5M017	1200407.7M046	1700448.8
1200406.5M018	1200407.7M047	1700449.0
1200406.5M019	1200407.7M048	1700450.2
1200407.7M001	1200407.7M049	1700451.4
1200407.7M002	1200407.7M050	1700452.6
1200407.7M003	1200407.7M051	1700453.8
1200407.7M004	1200407.7M052	1700454.0
1200407.7M005	1200407.7M053	
1200407.7M006	1200407.7M054	
1200407.7M007	1200407.7M055	
1200407.7M008	1200407.7M056	
1200407.7M009	1200407.7M057	
1200407.7M010	1200407.7M058	
1200407.7M011	1200407.7M059	
1200407.7M012	1200407.7M060	
1200407.7M013	1200407.7M061	
1200407.7M014	1200407.7M062	
1200407.7M015	1200407.7M063	
1200407.7M016	1200407.7M064	
1200407.7M017	1200407.7M065	
1200407.7M018	1200407.7M066	
1200407.7M019	1200407.7M067	
1200407.7M020	1200407.7M068	
1200407.7M021	1200407.7M069	
1200407.7M022	1200407.7M070	
1200407.7M023	1200407.7M071	
1200407.7M024	1200407.7M072	
1200407.7M025	1200407.7M073	
1200407.7M026	1200407.7M074	
1200407.7M027	1200407.7M075	
1200407.7M028	1200407.7M076	
1200407.7M029	1200407.7M077	
1200407.7M030	1200407.7M078	



香港特別行政區政府知識產權署外觀設計註冊處

The Government of the Hong Kong Special Administrative Region

Designs Registry, Intellectual Property Department

根據註冊外觀設計規則第 31 條刪除的註冊外觀設計。各組記項按註冊外觀設計刪除日期及註冊編號先後次序排列。

**Registered designs removed under section 31 of the Registered Designs Rules. Entries are listed below under their removal dates.**

**18-03-2022 - 23-03-2022****18-03-2022**

0111324.0

1601708.1M004

1601708.1M005

**19-03-2022**

0111328.9

1601642.0

1601689.9

1601691.3M001

1601691.3M002

1601692.5M001

1601692.5M002

1601692.5M003

1601692.5M004

1601692.5M005

1601692.5M006

1601692.5M007

1601692.5M008

**21-03-2022**

0602339.6

0602344.6

1601712.9M001

1601712.9M002

1601712.9M003

1601715.6

1601716.8

1601717.0

**22-03-2022**

0602347.3

1101541.1

1101548.6M002

**20-03-2022**

1101527.2M001

1101531.0M001

1101531.0M002

1101531.0M003

1101532.2M001

1101532.2M002

1101533.4M001

1101533.4M002

1101534.6M001

1101534.6M002

1601698.8M002

1601698.8M003

1601701.6

1601708.1M002

1601708.1M003

**23-03-2022**

1101552.4

1101556.3

1101557.5

1101558.7

1101559.9

1101560.1

1101563.7

1601727.1M001

1601727.1M002

1601728.3M001

1601728.3M002

1601734.5

1601735.8

1601738.4