

# 香港知識產權公報

Hong Kong Intellectual Property Journal

2021年12月10日  
10 December 2021

## 目錄 Contents

### 根據註冊外觀設計條例第 25 條註冊的外觀設計

#### **Designs Registered under section 25 of the Registered Designs Ordinance**

按註冊編號排列

Arranged by Registration Number

### 根據註冊外觀設計條例(第 522 章)公布的其他公告

#### **Other Notices Published under the Registered Designs Ordinance (Cap. 522)**

根據註冊外觀設計條例第 28 條，註冊外觀設計因未繳續期費而停止有效

Registered designs ceased through non-payment of renewal fees under section 28 of the Registered Designs Ordinance

根據註冊外觀設計規則第 31 條刪除的註冊外觀設計

Registered designs removed under section 31 of the Registered Designs Rules

### 以下事項沒有記錄

#### **No Records for the Following Matters**

根據註冊外觀設計條例第 30 條放棄的外觀設計的註冊

Surrender of Registration of Design under section 30 of the Registered Designs Ordinance

根據註冊外觀設計規則第 37 條，向處長作出轉介

Reference to Registrar under section 37 of the Registered Designs Rules

根據註冊外觀設計條例第 45 條，撤銷註冊

Revocation of Registration under section 45 of the Registered Designs Ordinance

根據註冊外觀設計規則第 46 條，向法院作出轉介

Reference to Court under section 46 of the Registered Designs Rules

根據註冊外觀設計規則第 63 條對不符合規定之處作出糾正

Rectification of Irregularities under section 63 of the Registered Designs Rules

根據註冊外觀設計條例第 66 條，糾正註冊紀錄冊

Rectification of Register under section 66 of the Registered Designs Ordinance

根據註冊外觀設計條例第 67 條 更正註冊紀錄冊內的錯誤

Correction of errors in Register under section 67 of the Registered Designs Ordinance

根據註冊外觀設計條例第 67 及 76 條，更正註冊紀錄冊內及已提交文件中的錯誤

Correction of Errors in Register and in Filed Documents under sections 67 and 76 of the Registered Designs Ordinance

根據註冊外觀設計條例第 76 條，更正已提交文件中的錯誤

Correction of errors in filed documents under section 76 of the Registered Designs Ordinance

勘誤

Corrigendum

## 註冊外觀設計公告註釋

### Notes on advertisements of registration of designs

方括號表示下列資料：

Square brackets indicate the following data：

[11] 註冊編號 Registration number / 聯合王國註冊編號 United Kingdom registration number

[15] 註冊日期 Registration date / 當作註冊日期 Deemed registration date / 聯合王國註冊日期 United Kingdom registration date

[17] 註冊有效期屆滿日期 Expiry date of the period of registration

[22] 提交日期 Filing date / 當作提交日期 Deemed filing date / 聯合王國提交日期 United Kingdom filing date

[30] 聲稱享有的優先權（提交日期 / 巴黎公約國或世界貿易組織成員 / 申請編號） Priority claimed (filing date / Paris Convention country or WTO member / application number)

[51] 國際外觀設計分類號（洛迦諾分類號） International Classification of designs (Locarno Classification)

[54] 物品 Article

[55] 外觀設計的表述 Representation of the design

[62] 分開前的申請編號及提交日期 Application number before division and filing date

[66] 過往註冊的聯繫外觀設計註冊編號 / 日期 Registration No. / Date of Previous Registration for Association

[72] 設計人 Designer

[73] 擁有人姓名和地址 Name and address of the owner

[74] 代理人 Agent /送達地址 Address for service



香港特別行政區政府知識產權署外觀設計註冊處

The Government of the Hong Kong Special Administrative Region

Designs Registry, Intellectual Property Department

## 根據註冊外觀設計條例第 25 條註冊的外觀設計

### Designs registered under section 25 of the Registered Designs Ordinance

按註冊編號排列

Arranged by Registration Number

[11] 2118732.7M001

[15] 23-09-2021

[30] 26-03-2021 / EU / 008477020

[51] Cl. 25-01

[54] 板樁部件

Sheet pile component

[73] Richard Heindl

Tassilostr. 21,

82166 Gräfelfing,

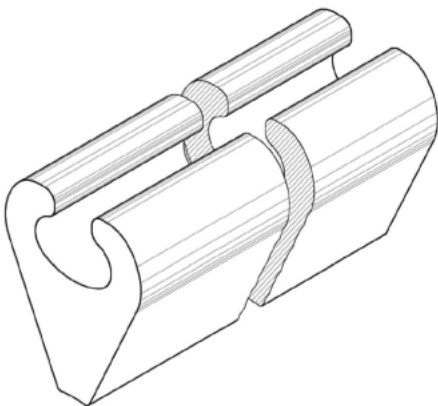
Germany

[74] CHINAHONGKONG IP LIMITED

1502, 15/F, Capital Centre,

151 Gloucester Road,

Wanchai, Hong Kong



---

[11] 2118732.7M002

[15] 23-09-2021

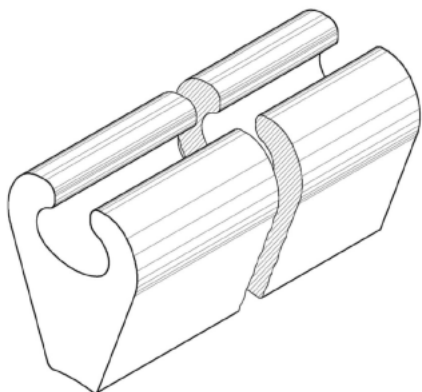
[30] 26-03-2021 / EU / 008477020

[51] Cl. 25-01

[54] 板樁部件  
Sheet pile component

[73] Richard Heindl  
Tassilostr. 21,  
82166 Gräfelfing,  
Germany

[74] CHINAHONGKONG IP LIMITED  
1502, 15/F, Capital Centre,  
151 Gloucester Road,  
Wanchai, Hong Kong



---

[11] 2118735.4

[15] 24-09-2021

[30] 25-03-2021 / CN / 202130164720.2

[51] C1. 10-04

[54] 手環本體  
Body of smart band

[73] 北京小米移動軟件有限公司  
BEIJING XIAOMI MOBILE SOFTWARE CO., LTD.  
中國內地  
北京市海澱區西二旗中路 33 號院  
6 號樓 8 層 018 號

[74] 香港派特恩知識產權代理有限公司  
香港上環  
永樂街 121-125 號  
永達商業大廈 10 樓 C 室



[11] 2118736.6

[15] 24-09-2021

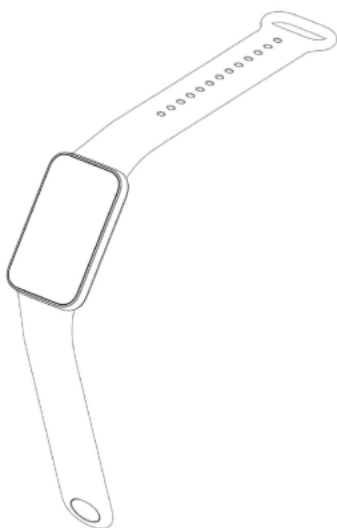
[30] 25-03-2021 / CN / 202130165047.4

[51] C1. 10-04

[54] 智能手環  
Smart band

[73] 北京小米移動軟件有限公司  
BEIJING XIAOMI MOBILE SOFTWARE CO., LTD.  
中國內地  
北京市海澱區西二旗中路 33 號院  
6 號樓 8 層 018 號

[74] 香港派特恩知識產權代理有限公司  
香港上環  
永樂街 121-125 號  
永達商業大廈 10 樓 C 室





[11] 2118740.4M001

[15] 24-09-2021

[51] Cl. 21-01

[54] 玩具

Toy

[73] Television Broadcasts Limited  
Legal and Regulatory Department,  
10/F, Main Block, TVB City,  
77 Chun Choi Street,  
Tseung Kwan O Industrial Estate,  
Kowloon, Hong Kong

[74] Television Broadcasts Limited  
Legal and Regulatory Department,  
10/F, Main Block, TVB City,  
77 Chun Choi Street,  
Tseung Kwan O Industrial Estate,  
Kowloon, Hong Kong



---

[11] 2118740.4M002

[15] 24-09-2021

[51] Cl. 21-01

[54] 玩具

Toy

[73] Television Broadcasts Limited  
Legal and Regulatory Department,  
10/F, Main Block, TVB City,  
77 Chun Choi Street,  
Tseung Kwan O Industrial Estate,  
Kowloon, Hong Kong

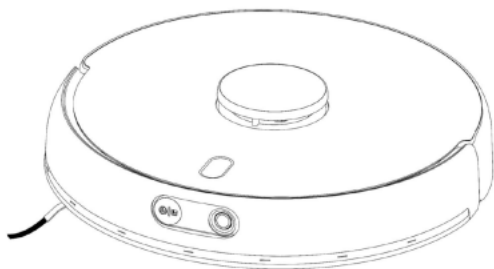
- [74] Television Broadcasts Limited  
Legal and Regulatory Department,  
10/F, Main Block, TVB City,  
77 Chun Choi Street,  
Tseung Kwan O Industrial Estate,  
Kowloon, Hong Kong



- 
- [11] 2118740.4M003  
[15] 24-09-2021  
[51] Cl. 21-01  
[54] 玩具  
Toy  
[73] Television Broadcasts Limited  
Legal and Regulatory Department,  
10/F, Main Block, TVB City,  
77 Chun Choi Street,  
Tseung Kwan O Industrial Estate,  
Kowloon, Hong Kong  
[74] Television Broadcasts Limited  
Legal and Regulatory Department,  
10/F, Main Block, TVB City,  
77 Chun Choi Street,  
Tseung Kwan O Industrial Estate,  
Kowloon, Hong Kong



- 
- [11] 2118750.5  
[15] 28-09-2021  
[30] 29-03-2021 / CN / 202130173073.1  
[51] Cl. 15-05  
[54] 清潔機器人  
Cleaning robot  
[73] 北京小米移動軟件有限公司  
Beijing Xiaomi Mobile Software Co., Ltd.  
中國內地  
北京市海澱區西二旗中路 33 號院  
6 號樓 8 層 018 號  
[74] 隆天專利商標代理有限公司  
香港九龍  
長沙灣青山道 485 號  
九龍廣場 10 樓 11 室



- 
- [11] 2118760.6  
[15] 29-09-2021  
[51] Cl. 28-03

[54] 熱石按摩套裝

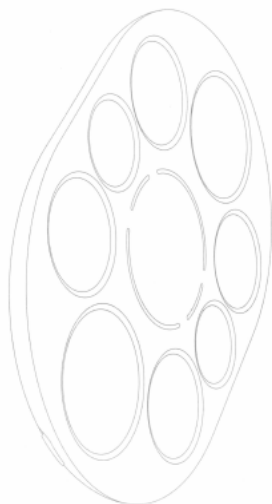
Hot stone massage set

[73] Yell Group Limited

Unit 5, 15/F., Global Gateway Tower,  
63 Wing Hong Street,  
Cheung Sha Wan, Kowloon, Hong Kong

[74] Susanne Luk

Unit 5, 15/F., Global Gateway Tower,  
63 Wing Hong Street,  
Cheung Sha Wan, Kowloon, Hong Kong



---

[11] 2118765.7

[15] 29-09-2021

[30] 01-04-2021 / SG, CH, GB, US, EU, JP, KR / WIPO103487

[51] Cl. 10-07

[54] 手錶錶帶

Bracelet for a wristwatch

[73] LA MONTRE HERMES S.A.

Erlenstrasse 31A,  
CH-2555 Brugg,  
Switzerland

[74] DEACONS

5th Floor, Alexandra House,  
Central,  
Hong Kong



---

[11] 2118768.3M001

[15] 30-09-2021

[51] C1. 20-02

[54] 展示櫃

Showcase

[73] 六福集團有限公司

Luk Fook Holdings Company Limited

Floor 15, 20, 25 & 27, Metropole Square,

No.2 On Yiu Street,

Shatin, New Territories, Hong Kong

[74] Luk Fook Holdings Company Limited (Legal Affairs Departments)

Floor 25, Metropole Square,

No.2 On Yiu Street,

Shatin, New Territories, Hong Kong



---

[11] 2118768.3M002

[15] 30-09-2021

[51] C1. 20-02

[54] 展示櫃

Showcase

[73] 六福集團有限公司

Luk Fook Holdings Company Limited  
Floor 15, 20, 25 & 27, Metropole Square,  
No.2 On Yiu Street,  
Shatin, New Territories, Hong Kong

[74] Luk Fook Holdings Company Limited (Legal Affairs Departments)

Floor 25, Metropole Square,  
No.2 On Yiu Street,  
Shatin, New Territories, Hong Kong



---

[11] 2118768.3M003

[15] 30-09-2021

[51] Cl. 20-03

[54] 店鋪招牌

Shop signs

[73] 六福集團有限公司

Luk Fook Holdings Company Limited  
Floor 15, 20, 25 & 27, Metropole Square,  
No.2 On Yiu Street,  
Shatin, New Territories, Hong Kong

[74] Luk Fook Holdings Company Limited (Legal Affairs Departments)

Floor 25, Metropole Square,  
No.2 On Yiu Street,  
Shatin, New Territories, Hong Kong



[11] 2118768.3M004

[15] 30-09-2021

[51] Cl. 20-03

[54] 店鋪招牌

Shop signs

[73] 六福集團有限公司

Luk Fook Holdings Company Limited

Floor 15, 20, 25 & 27, Metropole Square,

No.2 On Yiu Street,

Shatin, New Territories, Hong Kong

[74] Luk Fook Holdings Company Limited (Legal Affairs Departments)

Floor 25, Metropole Square,

No.2 On Yiu Street,

Shatin, New Territories, Hong Kong



[11] 2118779.6

[15] 30-09-2021

[30] 07-04-2021 / CN / 202130194050.9

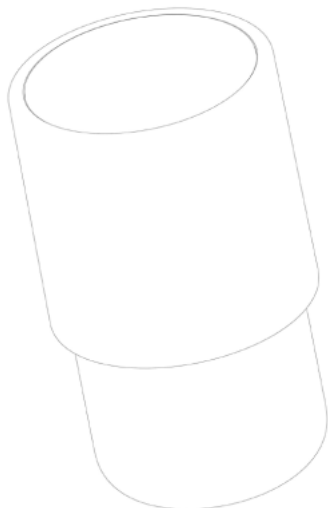
[51] Cl. 26-05

[54] 燈

Lamp

[73] 北京小米移動軟件有限公司  
BEIJING XIAOMI MOBILE SOFTWARE CO., LTD.  
中國內地  
北京市海澱區西二旗中路  
33 號院 6 號樓 8 層 018 號

[74] 高保知識產權代理有限公司  
香港荃灣  
白田壩街 36-44 號  
信義工業大廈 9 樓



---

[11] 2118782.2

[15] 30-09-2021

[30] 02-04-2021 / CN / 202130186662.3

[51] Cl. 14-03

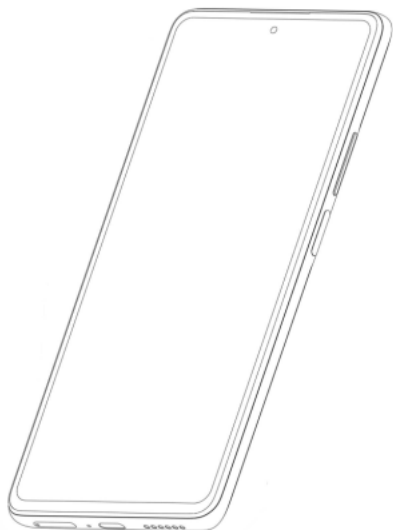
[54] 手機

Mobile phone

[73] 北京小米移動軟件有限公司  
Beijing Xiaomi Mobile Software Co., Ltd.  
中國內地  
北京市海澱區西二旗中路 33 號院  
6 號樓 8 層 018 號

[74] 隆天專利商標代理有限公司  
香港長沙灣  
青山道 485 號  
九龍廣場 10 樓 11 室





[11] 2118784.6

[15] 30-09-2021

[30] 09-04-2021 / CN / 202130199639.8

[51] Cl. 23-01

[54] 濾芯

Filter element

[73] 北京小米移動軟件有限公司

BEIJING XIAOMI MOBILE SOFTWARE CO., LTD.

中國內地

北京市海澱區西二旗中路 33 號院

6 號樓 8 層 018 號

[74] 香港派特恩知識產權代理有限公司

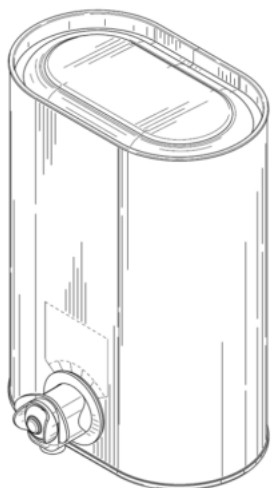
香港上環

永樂街 121-125 號

永達商業大廈 10 樓 C 室

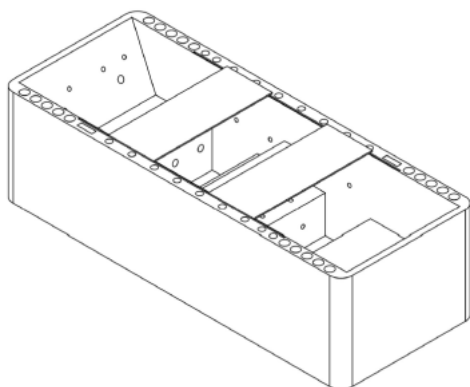


- [11] 2118787.3  
[15] 04-10-2021  
[30] 14-04-2021 / US / 29/778,726  
[51] Cl. 9-03  
[54] 帶有噴嘴的飲料盒  
Beverage cartridge with protruding spout  
[73] E. & J. Gallo Winery  
600 Yosemite Blvd.,  
Modesto, CA 95354,  
United States of America  
[74] SPRUSON & FERGUSON (HONG KONG) LIMITED  
5001 Hopewell Centre,  
183 Queen's Road East,  
Wan Chai, Hong Kong



- 
- [11] 2118788.5  
[15] 04-10-2021  
[30] 07-04-2021 / VN / 3-2021-00828  
[51] Cl. 23-06  
[54] 浴缸  
Bathtub  
[73] Hai Son Bui Duong  
Block LKN1, An Vien Coastal Urban Area,  
Nha Trang, Khanh Hoa,  
Viet Nam  
[74] FEDERATION OF HONG KONG INDUSTRIES  
31/F, Billion Plaza,

8 Cheung Yue Street,  
Cheung Sha Wan, Kowloon, Hong Kong



---

[11] 2118789.7

[15] 04-10-2021

[30] 07-04-2021 / VN / 3-2021-00831

[51] Cl. 23-06

[54] 浴缸

Bathtub

[73] Hai Son Bui Duong

Block LKN1, An Vien Coastal Urban Area,

Nha Trang, Khanh Hoa,

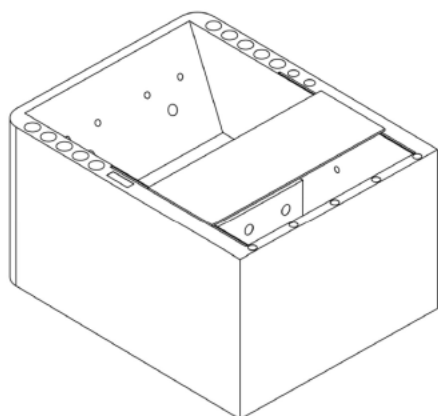
Viet Nam

[74] FEDERATION OF HONG KONG INDUSTRIES

31/F, Billion Plaza,

8 Cheung Yue Street,

Cheung Sha Wan, Kowloon, Hong Kong



---

[11] 2118790.9

- [15] 04-10-2021
- [30] 17-05-2021 / JP / 010247 of 2021
- [51] Cl. 9-01
- [54] 包裝用瓶  
Packaging bottle
- [73] 濱田酒造株式會社  
HAMADA SYUZOU KABUSHIKI KAISHA (HAMADA SYUZOU CO., LTD.)  
4-1 Minatomachi, Ichikikushikino-city,  
Kagoshima-prefecture 899-2101,  
Japan
- [74] MINTERELLISON LLP  
Level 32, Wu Chung House,  
213 Queen's Road East,  
Hong Kong



- 
- [11] 2118791.1
- [15] 04-10-2021
- [51] Cl. 11-01
- [54] 磁力香薰掛飾  
Magnetized aroma charm
- [73] Fan Siyue trading as Ascent Style  
Flat LC, 71/F, Block 7,  
Le Prime, Lohas Park,  
Tseung Kwan O, Hong Kong
- [74] Fan Siyue  
Flat LC, 71/F, Block 7,  
Le Prime, Lohas Park,  
Tseung Kwan O, Hong Kong



[11] 2118792.3M001

[15] 05-10-2021

[30] 15-09-2021 / AU / 202115585

[51] Cl. 14-04

[54] 用於電子產品的顯示屏幕

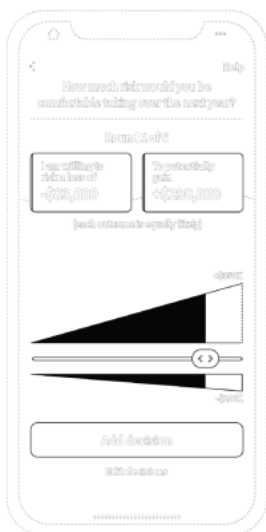
A display screen for an electronic device

[73] Capital Preferences NZ Limited

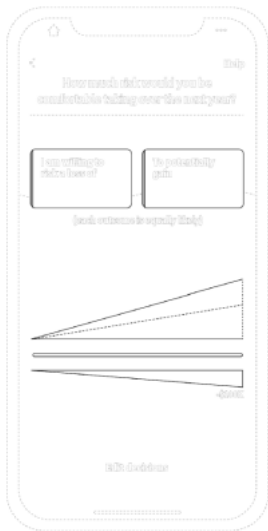
26 Alpha Avenue, Strowan,  
Christchurch 8052,  
New Zealand

[74] INCOMPASS IP LIMITED

Unit 205, 2/F, Building 19W,  
19 Science Park West Avenue,  
Hong Kong Science Park,  
Pak Shek Kok, Hong Kong

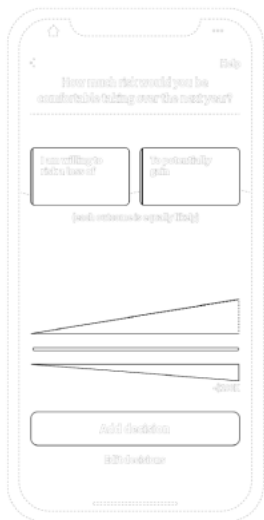


- [11] 2118792.3M002
- [15] 05-10-2021
- [30] 15-09-2021 / AU / 202115586
- [51] Cl. 14-04
- [54] 用於電子產品的顯示屏幕  
A display screen for an electronic device
- [73] Capital Preferences NZ Limited  
26 Alpha Avenue, Strowan,  
Christchurch 8052,  
New Zealand
- [74] INCOMPASS IP LIMITED  
Unit 205, 2/F, Building 19W,  
19 Science Park West Avenue,  
Hong Kong Science Park,  
Pak Shek Kok, Hong Kong



- 
- [11] 2118792.3M003
  - [15] 05-10-2021
  - [30] 15-09-2021 / AU / 202115587
  - [51] Cl. 14-04
  - [54] 用於電子產品的顯示屏幕  
A display screen for an electronic device
  - [73] Capital Preferences NZ Limited  
26 Alpha Avenue, Strowan,  
Christchurch 8052,  
New Zealand
  - [74] INCOMPASS IP LIMITED  
Unit 205, 2/F, Building 19W,  
19 Science Park West Avenue,

Hong Kong Science Park,  
Pak Shek Kok, Hong Kong



[11] 2118792.3M004

[15] 05-10-2021

[30] 15-09-2021 / AU / 202115588

[51] Cl. 14-04

[54] 用於電子產品的顯示屏幕

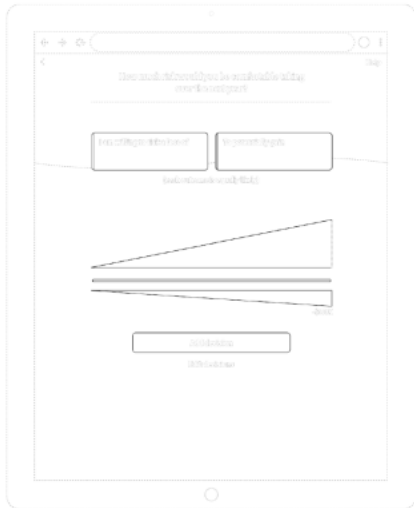
A display screen for an electronic device

[73] Capital Preferences NZ Limited

26 Alpha Avenue, Strowan,  
Christchurch 8052,  
New Zealand

[74] INCOMPASS IP LIMITED

Unit 205, 2/F, Building 19W,  
19 Science Park West Avenue,  
Hong Kong Science Park,  
Pak Shek Kok, Hong Kong



[11] 2118793.5M001

[15] 05-10-2021

[30] 15-09-2021 / AU / 202115589

[51] Cl. 14-04

[54] 用於電子產品的顯示屏幕

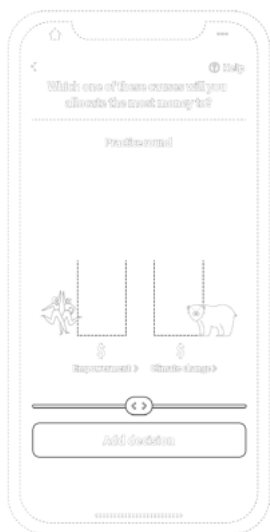
A display screen for an electronic device

[73] Capital Preferences NZ Limited

26 Alpha Avenue, Strowan,  
Christchurch 8052,  
New Zealand

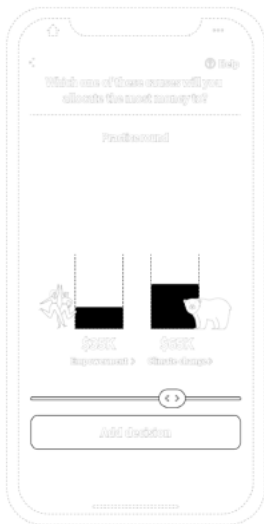
[74] INCOMPASS IP LIMITED

Unit 205, 2/F, Building 19W,  
19 Science Park West Avenue,  
Hong Kong Science Park,  
Pak Shek Kok, Hong Kong



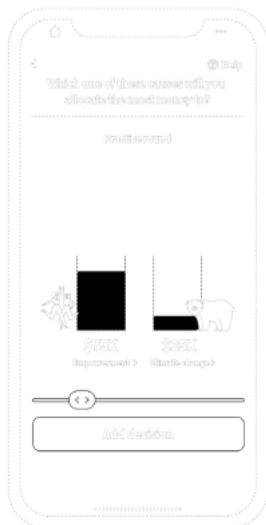


- [11] 2118793.5M002
- [15] 05-10-2021
- [30] 15-09-2021 / AU / 202115590
- [51] Cl. 14-04
- [54] 用於電子產品的顯示屏幕  
A display screen for an electronic device
- [73] Capital Preferences NZ Limited  
26 Alpha Avenue, Strowan,  
Christchurch 8052,  
New Zealand
- [74] INCOMPASS IP LIMITED  
Unit 205, 2/F, Building 19W,  
19 Science Park West Avenue,  
Hong Kong Science Park,  
Pak Shek Kok, Hong Kong



- 
- [11] 2118793.5M003
  - [15] 05-10-2021
  - [30] 15-09-2021 / AU / 202115591
  - [51] Cl. 14-04
  - [54] 用於電子產品的顯示屏幕  
A display screen for an electronic device
  - [73] Capital Preferences NZ Limited  
26 Alpha Avenue, Strowan,  
Christchurch 8052,  
New Zealand
  - [74] INCOMPASS IP LIMITED  
Unit 205, 2/F, Building 19W,  
19 Science Park West Avenue,

Hong Kong Science Park,  
Pak Shek Kok, Hong Kong



[11] 2118793.5M004

[15] 05-10-2021

[30] 15-09-2021 / AU / 202115592

[51] Cl. 14-04

[54] 用於電子產品的顯示屏幕

A display screen for an electronic device

[73] Capital Preferences NZ Limited

26 Alpha Avenue, Strowan,  
Christchurch 8052,  
New Zealand

[74] INCOMPASS IP LIMITED

Unit 205, 2/F, Building 19W,  
19 Science Park West Avenue,  
Hong Kong Science Park,  
Pak Shek Kok, Hong Kong



[11] 2118794.7

[15] 06-10-2021

[51] C1. 9-05

[54] 包裝袋

Packaging bag

[73] 潘志明

POON CHI MING

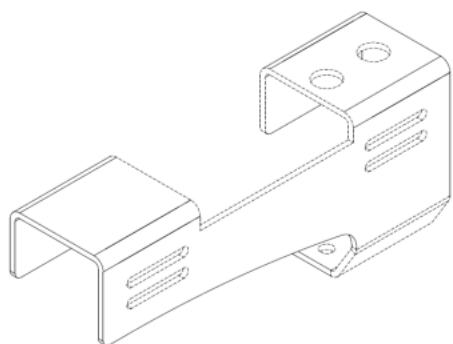
Flat/Rm 13, Blk A, 2/F, Proficient Industrial Centre,  
6 Wang Kwun Road,  
Kowloon Bay, Kowloon, Hong Kong

[74] ACCOLADE IP LIMITED

10/F, Fu Fai Comm. Ctr.,  
27 Hillier Street,  
Sheung Wan, Hong Kong



- [11] 2118795.0  
[15] 06-10-2021  
[30] 13-05-2021 / US / 29/783,466  
[51] Cl. 26-05  
[54] 燈具的支架  
Bracket for a lighting fixture  
[73] HGCI, Inc.  
3993 Howard Hughes Parkway,  
Las Vegas, Nevada 89169,  
United States of America  
[74] ROBIN BRIDGE & JOHN LIU  
6th Floor, Emperor Commercial Centre,  
39 Des Voeux Road Central,  
Hong Kong



- 
- [11] 2118796.2  
[15] 06-10-2021  
[30] 07-05-2021 / CA, AM, AZ, BZ, BA, GE, LI, MK, MD, MC, MN, ME,  
MA, NO, OM, RU, SG, CH, TN, TR, UA, GB, EU, AL, KG / DM/214  
160  
[51] Cl. 10-07  
[54] 錶面  
Dial  
[73] Harry Winston SA  
Chemin du Tourbillon 8,  
CH-1228 Plan-les-Ouates,  
Switzerland  
[74] SPRUSON & FERGUSON (HONG KONG) LIMITED  
5001 Hopewell Centre,  
183 Queen's Road East,  
Wan Chai, Hong Kong



---

[11] 2118799.8

[15] 07-10-2021

[30] 25-08-2021 / JP / 018248 of 2021

[51] Cl. 7-02

[54] 電飯煲

Electric rice cooker

[73] Toshiba Lifestyle Products & Services Corporation

25-1, Ekimae-honcho, Kawasaki-ku,

Kawasaki-shi, Kanagawa,

Japan

[74] DEACONS

5th Floor, Alexandra House,

Central,

Hong Kong



---

[11] 2118800.2M001

[15] 07-10-2021

[30] 29-07-2021 / EU / 008635502

[51] Cl. 23-04

[54] 空氣淨化器

Air purifier

[73] IQAir AG

Blumenfeldstrasse 10,

9403 Goldach,

Switzerland

[74] UNION PATENT SERVICE CENTRE

Units E-F, 20th Floor, Neich Tower,

128 Gloucester Road,

Hong Kong



---

[11] 2118800.2M002

[15] 07-10-2021

[30] 29-07-2021 / EU / 008635502

[51] Cl. 23-04

[54] 空氣淨化器

Air purifier

[73] IQAir AG

Blumenfeldstrasse 10,

9403 Goldach,

Switzerland

[74] UNION PATENT SERVICE CENTRE

Units E-F, 20th Floor, Neich Tower,

128 Gloucester Road,

Hong Kong



---

[11] 2118802.6

[15] 07-10-2021

[51] Cl. 12-16

[54] 汽車尾翼

Car rear spoiler

[73] 梁健輝

Leung Kin Fai

香港九龍

土瓜灣上鄉道 39-41 號

昌華工廠大廈 6 樓 C1 至 2 室

[74] 卓遠知識產權有限公司

香港上環

禧利街 27 號

富輝商業中心 10 樓



---

[11] 2118804.0

[15] 08-10-2021

[30] 11-06-2021 / MA, NO, OM, SG, CH, TN, TR, UA, GB, EU, AL /  
DM/214 771

[51] Cl. 10-02

[54] 手錶

Wristwatch

[73] SWATCH AG (SWATCH SA) (SWATCH LTD.)

Nicolas G. Hayek Strasse 1,  
2502 Biel/Bienne,  
Switzerland

[74] SPRUSON & FERGUSON (HONG KONG) LIMITED

5001 Hopewell Centre,  
183 Queen's Road East,  
Wan Chai, Hong Kong



---

[11] 2118805.3

[15] 08-10-2021

[30] 11-06-2021 / MA, NO, OM, SG, CH, TN, TR, UA, GB, EU, AL /  
DM/214 821

[51] Cl. 10-02

[54] 手錶

Wristwatch

[73] SWATCH AG (SWATCH SA) (SWATCH LTD.)

Nicolas G. Hayek Strasse 1,  
2502 Biel/Bienne,  
Switzerland

[74] SPRUSON & FERGUSON (HONG KONG) LIMITED

5001 Hopewell Centre,  
183 Queen's Road East,  
Wan Chai, Hong Kong





- [11] 2118806.5  
[15] 08-10-2021  
[30] 11-06-2021 / MA, NO, OM, SG, CH, TN, TR, UA, GB, EU, AL /  
DM/214 920  
[51] Cl. 10-02  
[54] 手錶  
Wristwatch  
[73] SWATCH AG (SWATCH SA) (SWATCH LTD.)  
Nicolas G. Hayek Strasse 1,  
2502 Biel/Bienne,  
Switzerland  
[74] SPRUSON & FERGUSON (HONG KONG) LIMITED  
5001 Hopewell Centre,  
183 Queen's Road East,  
Wan Chai, Hong Kong



- 
- [11] 2118810.3M001  
[15] 08-10-2021  
[30] 07-05-2021 / CA, AM, AZ, BZ, BA, GE, LI, MK, MD, MC, MN, ME,  
MA, NO, OM, SG, CH, TN, TR, UA, GB, EU, AL, KG / DM/214 204  
[51] Cl. 11-01  
[54] 項鍊  
Necklace  
[73] Harry Winston SA  
Chemin du Tourbillon 8,  
CH-1228 Plan-les-Ouates,  
Switzerland  
[74] SPRUSON & FERGUSON (HONG KONG) LIMITED  
5001 Hopewell Centre,  
183 Queen's Road East,  
Wan Chai, Hong Kong



[11] 2118810.3M002

[15] 08-10-2021

[30] 07-05-2021 / CA, AM, AZ, BZ, BA, GE, LI, MK, MD, MC, MN, ME,  
MA, NO, OM, SG, CH, TN, TR, UA, GB, EU, AL, KG / DM/214 204

[51] Cl. 11-01

[54] 項鍊

Necklace

[73] Harry Winston SA

Chemin du Tourbillon 8,  
CH-1228 Plan-les-Ouates,  
Switzerland

[74] SPRUSON & FERGUSON (HONG KONG) LIMITED

5001 Hopewell Centre,  
183 Queen's Road East,  
Wan Chai, Hong Kong



---

[11] 2118810.3M003

[15] 08-10-2021

[30] 07-05-2021 / CA, AM, AZ, BZ, BA, GE, LI, MK, MD, MC, MN, ME,  
MA, NO, OM, SG, CH, TN, TR, UA, GB, EU, AL, KG / DM/214 204

[51] Cl. 11-01

[54] 指環

Ring

[73] Harry Winston SA

Chemin du Tourbillon 8,  
CH-1228 Plan-les-Ouates,  
Switzerland

[74] SPRUSON & FERGUSON (HONG KONG) LIMITED

5001 Hopewell Centre,  
183 Queen's Road East,  
Wan Chai, Hong Kong



---

[11] 2118810.3M004

[15] 08-10-2021

[30] 07-05-2021 / CA, AM, AZ, BZ, BA, GE, LI, MK, MD, MC, MN, ME, MA, NO, OM, SG, CH, TN, TR, UA, GB, EU, AL, KG / DM/214 204

[51] Cl. 11-01

[54] 耳環

Earrings

[73] Harry Winston SA  
Chemin du Tourbillon 8,  
CH-1228 Plan-les-Ouates,  
Switzerland

[74] SPRUSON & FERGUSON (HONG KONG) LIMITED  
5001 Hopewell Centre,  
183 Queen's Road East,  
Wan Chai, Hong Kong



---

[11] 2118811.5

[15] 08-10-2021

[30] 09-04-2021 / CN / 202130199130.3

[51] Cl. 14-03

[54] 手機

Mobile phone

[73] 北京小米移動軟件有限公司

BEIJING XIAOMI MOBILE SOFTWARE CO., LTD.

中國內地

北京市海澱區西二旗中路 33 號院

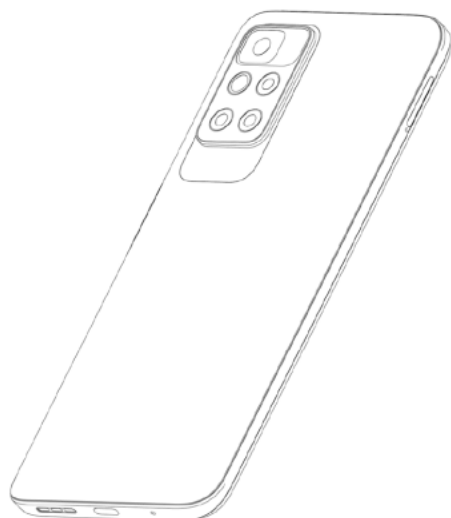
6 號樓 8 層 018 號

[74] 香港派特恩知識產權代理有限公司

香港上環

永樂街 121-125 號

永達商業大廈 10 樓 C 室



---

[11] 2118812.7

[15] 08-10-2021

[51] Cl. 21-01

[54] 玩具吉普車

Toy jeep

[73] 集美塑膠玩具製品廠有限公司

CHAP MEI PLASTIC TOYS MANUFACTORY LIMITED

Unit 541, 5/F., Sino Industrial Plaza,

9 Kai Cheung Road,

Kowloon Bay, Kowloon, Hong Kong

[74] BENNY KONG & TSAI

Unit 19B, Overseas Trust Bank Building,

No. 160 Gloucester Road,

Wanchai, Hong Kong



---

[11] 2118814.1M001

[15] 09-10-2021

[30] 19-05-2021 / CN / 202130301641.1

[51] C1. 14-99

[54] 手寫筆

Stylus pen

[73] 榮耀終端有限公司

HONOR DEVICE CO., LTD.

中國內地

廣東省深圳市福田區香蜜湖街道紅荔西路 8089 號

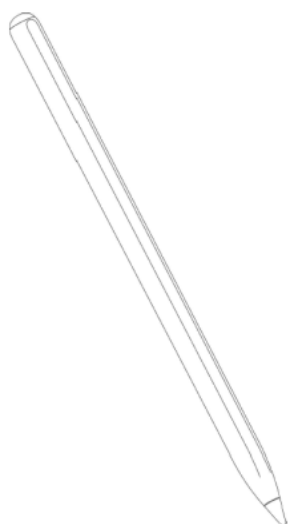
深業中城 6 號樓 A 單元 3401, 518040

[74] 集佳知識產權有限公司

香港九龍

旺角洗衣街 39-55 號

金雞廣場 12 層 1201 室



- [11] 2118814.1M002  
[15] 09-10-2021  
[30] 19-05-2021 / CN / 202130301641.1  
[51] Cl. 14-99  
[54] 手寫筆  
Stylus pen  
[73] 榮耀終端有限公司  
HONOR DEVICE CO., LTD.  
中國內地  
廣東省深圳市福田區香蜜湖街道紅荔西路 8089 號  
深業中城 6 號樓 A 單元 3401, 518040  
[74] 集佳知識產權有限公司  
香港九龍  
旺角洗衣街 39-55 號  
金雞廣場 12 層 1201 室



- 
- [11] 2118814.1M003  
[15] 09-10-2021  
[30] 19-05-2021 / CN / 202130301641.1  
[51] Cl. 14-99  
[54] 手寫筆  
Stylus pen  
[73] 榮耀終端有限公司  
HONOR DEVICE CO., LTD.  
中國內地  
廣東省深圳市福田區香蜜湖街道紅荔西路 8089 號  
深業中城 6 號樓 A 單元 3401, 518040  
[74] 集佳知識產權有限公司  
香港九龍

旺角洗衣街 39-55 號  
金雞廣場 12 層 1201 室



---

[11] 2118814.1M004

[15] 09-10-2021

[30] 19-05-2021 / CN / 202130301641.1

[51] Cl. 14-99

[54] 手寫筆

Stylus pen

[73] 榮耀終端有限公司

HONOR DEVICE CO., LTD.

中國內地

廣東省深圳市福田區香蜜湖街道紅荔西路 8089 號

深業中城 6 號樓 A 單元 3401, 518040

[74] 集佳知識產權有限公司

香港九龍

旺角洗衣街 39-55 號

金雞廣場 12 層 1201 室



---

[11] 2118814.1M005

[15] 09-10-2021

[30] 19-05-2021 / CN / 202130301641.1

[51] Cl. 14-99

[54] 手寫筆

Stylus pen

[73] 榮耀終端有限公司

HONOR DEVICE CO., LTD.

中國內地

廣東省深圳市福田區香蜜湖街道紅荔西路 8089 號

深業中城 6 號樓 A 單元 3401, 518040

[74] 集佳知識產權有限公司

香港九龍

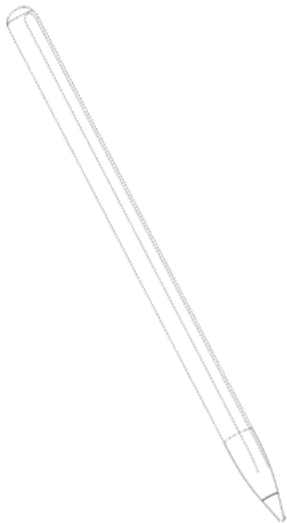
旺角洗衣街 39-55 號

金雞廣場 12 層 1201 室



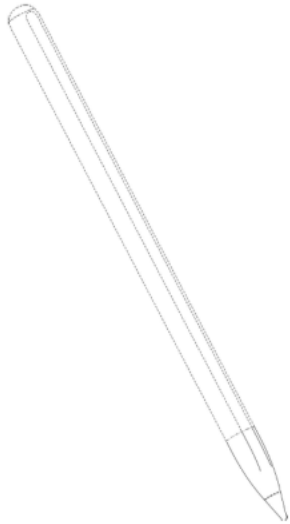


- [11] 2118814.1M006  
[15] 09-10-2021  
[30] 19-05-2021 / CN / 202130301641.1  
[51] Cl. 14-99  
[54] 手寫筆  
Stylus pen  
[73] 榮耀終端有限公司  
HONOR DEVICE CO., LTD.  
中國內地  
廣東省深圳市福田區香蜜湖街道紅荔西路 8089 號  
深業中城 6 號樓 A 單元 3401, 518040  
[74] 集佳知識產權有限公司  
香港九龍  
旺角洗衣街 39-55 號  
金雞廣場 12 層 1201 室

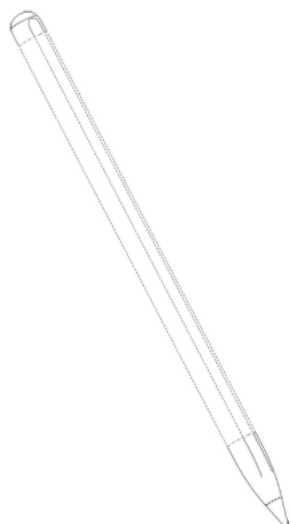


- 
- [11] 2118814.1M007  
[15] 09-10-2021  
[30] 19-05-2021 / CN / 202130301641.1  
[51] Cl. 14-99  
[54] 手寫筆  
Stylus pen  
[73] 榮耀終端有限公司  
HONOR DEVICE CO., LTD.  
中國內地  
廣東省深圳市福田區香蜜湖街道紅荔西路 8089 號  
深業中城 6 號樓 A 單元 3401, 518040

- [74] 集佳知識產權有限公司  
香港九龍  
旺角洗衣街 39-55 號  
金雞廣場 12 層 1201 室



- 
- [11] 2118814.1M008  
[15] 09-10-2021  
[30] 19-05-2021 / CN / 202130301641.1  
[51] Cl. 14-99  
[54] 手寫筆  
Stylus pen  
[73] 榮耀終端有限公司  
HONOR DEVICE CO., LTD.  
中國內地  
廣東省深圳市福田區香蜜湖街道紅荔西路 8089 號  
深業中城 6 號樓 A 單元 3401, 518040  
[74] 集佳知識產權有限公司  
香港九龍  
旺角洗衣街 39-55 號  
金雞廣場 12 層 1201 室



---

[11] 2118814.1M009

[15] 09-10-2021

[30] 19-05-2021 / CN / 202130301641.1

[51] Cl. 14-99

[54] 手寫筆

Stylus pen

[73] 榮耀終端有限公司

HONOR DEVICE CO., LTD.

中國內地

廣東省深圳市福田區香蜜湖街道紅荔西路 8089 號

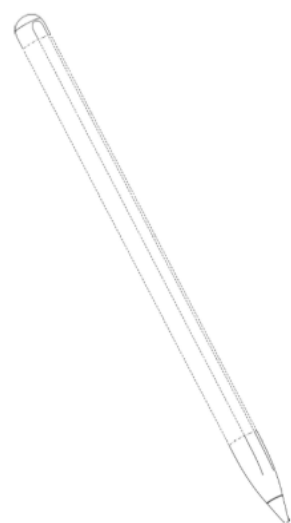
深業中城 6 號樓 A 單元 3401, 518040

[74] 集佳知識產權有限公司

香港九龍

旺角洗衣街 39-55 號

金雞廣場 12 層 1201 室



[11] 2118815.4M001

[15] 09-10-2021

[30] 27-04-2021 / CN / 202130248907.0

[51] Cl. 14-03

[54] 手機

Mobile phone

[73] 榮耀終端有限公司

HONOR DEVICE CO., LTD.

中國內地

廣東省深圳市福田區香蜜湖街道紅荔西路 8089 號

深業中城 6 號樓 A 單元 3401, 518040

[74] 集佳知識產權有限公司

香港九龍

旺角洗衣街 39-55 號

金雞廣場 12 層 1201 室



---

[11] 2118815.4M002

[15] 09-10-2021

[30] 27-04-2021 / CN / 202130248907.0

[51] Cl. 14-03

[54] 手機

Mobile phone

[73] 榮耀終端有限公司

HONOR DEVICE CO., LTD.

中國內地

廣東省深圳市福田區香蜜湖街道紅荔西路 8089 號

深業中城 6 號樓 A 單元 3401, 518040

[74] 集佳知識產權有限公司

香港九龍

旺角洗衣街 39-55 號  
金雞廣場 12 層 1201 室



---

[11] 2118815.4M003

[15] 09-10-2021

[30] 27-04-2021 / CN / 202130248907.0

[51] Cl. 14-03

[54] 手機

Mobile phone

[73] 榮耀終端有限公司

HONOR DEVICE CO., LTD.

中國內地

廣東省深圳市福田區香蜜湖街道紅荔西路 8089 號

深業中城 6 號樓 A 單元 3401, 518040

[74] 集佳知識產權有限公司

香港九龍

旺角洗衣街 39-55 號

金雞廣場 12 層 1201 室



- [11] 2118815.4M004  
[15] 09-10-2021  
[30] 27-04-2021 / CN / 202130248907.0  
[51] Cl. 14-03  
[54] 手機  
Mobile phone  
[73] 榮耀終端有限公司  
HONOR DEVICE CO., LTD.  
中國內地  
廣東省深圳市福田區香蜜湖街道紅荔西路 8089 號  
深業中城 6 號樓 A 單元 3401, 518040  
[74] 集佳知識產權有限公司  
香港九龍  
旺角洗衣街 39-55 號  
金雞廣場 12 層 1201 室

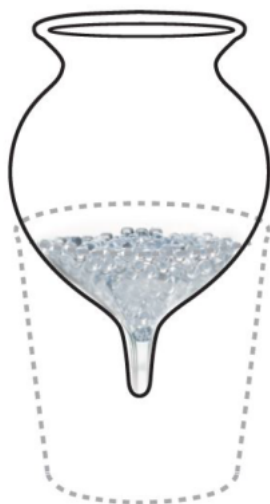


- 
- [11] 2118820.4  
[15] 19-10-2021  
[51] Cl. 25-02  
[54] 金屬（鐵料或不銹鋼）的渠蓋匙孔塞  
Metal plug (steel or stainless steel) for covering the keyhole  
on the manhole cover  
[73] 協益五金有限公司  
Hip Yick Industrial Company Limited  
香港火炭  
坳背灣街 34-36 號  
豐盛工業中心 B 座 12 樓 01 室

- [74] 協益五金有限公司  
香港火炭  
坳背灣街 34-36 號  
豐盛工業中心 B 座 12 樓 01 室



- 
- [11] 2118821.6  
[15] 11-10-2021  
[30] 30-04-2021 / EU / 008525182-0001  
[51] Cl. 7-04  
[54] 用於製備飲料的手動裝置  
Hand-operated appliance for preparing drinks  
[73] Carlo BENATI  
Via Vittorio Veneto 28 Loc. Bagnolo,  
37060 Nogarole Rocca (VERONA),  
Italy  
[74] WENPING PATENT & TRADE MARK AGENT LIMITED  
1701 Tung Wai Commercial Building,  
111 Gloucester Road,  
Hong Kong



[11] 2118822.8

[15] 11-10-2021

[51] Cl. 20-03

[54] 射頻識別標籤嵌體  
RFID tag inlay

[73] Megabyte Limited  
Unit 301-302, 3/F, Building 12W,  
No. 12 Science Park West Avenue,  
Hong Kong Science Park,  
Shatin, New Territories, Hong Kong

[74] BARRON & YOUNG INTELLECTUAL PROPERTY LIMITED  
Suite 617, Lakeside 2,  
No. 10 Science Park West Avenue,  
Hong Kong Science Park,  
Shatin, N.T., Hong Kong



---

[11] 2118823.0

[15] 11-10-2021

[51] Cl. 20-03

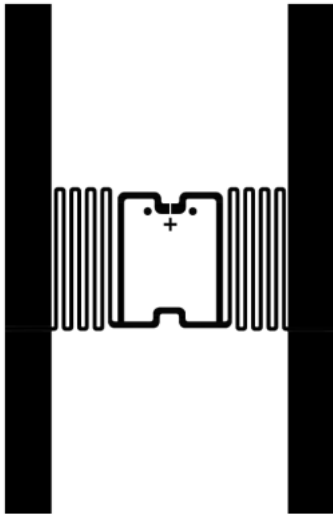
[54] 射頻識別標籤嵌體  
RFID tag inlay

[73] Megabyte Limited  
Unit 301-302, 3/F, Building 12W,  
No. 12 Science Park West Avenue,  
Hong Kong Science Park,  
Shatin, New Territories, Hong Kong

[74] BARRON & YOUNG INTELLECTUAL PROPERTY LIMITED  
Suite 617, Lakeside 2,  
No. 10 Science Park West Avenue,



Hong Kong Science Park,  
Shatin, N.T., Hong Kong



---

[11] 2118824.2

[15] 12-10-2021

[51] C1. 9-05

[54] 環保口罩袋

Eco face mask pouch

[73] 林淑儀

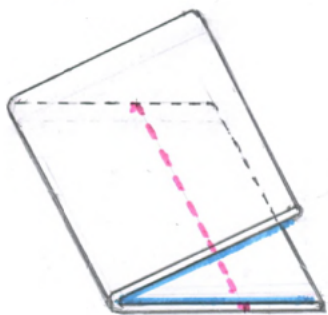
LAM SHUK YEE PAULA  
D15, 3/F, Tai Chow House,  
121 Quarry Bay Street,  
Quarry Bay, Hong Kong

何國亨

Ho Kwok Hang  
D15, 3/F, Tai Chow House,  
121 Quarry Bay Street,  
Quarry Bay, Hong Kong

[74] LAM SHUK YEE PAULA and HO KWOK HANG

D15, 3/F, Tai Chow House,  
121 Quarry Bay Street,  
Quarry Bay, Hong Kong



---

[11] 2118825.5

[15] 12-10-2021

[30] 15-04-2021 / EU / 008506745-0001

[51] Cl. 31-00

[54] 攪拌機的一部分

Part of blenders

[73] SANTOS

140-150 Avenue Roger Salengro,

69120 Vaulx-en-Velin

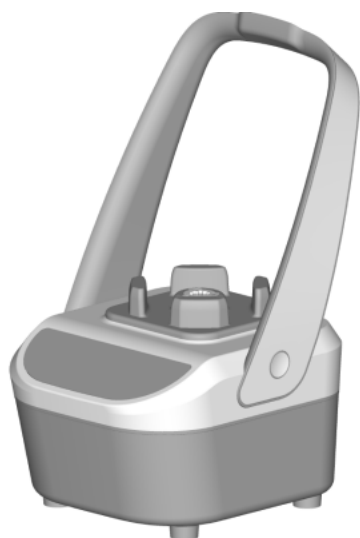
France

[74] WENPING PATENT & TRADE MARK AGENT LIMITED

1701 Tung Wai Commercial Building,

111 Gloucester Road,

Hong Kong



---

[11] 2118826.7M001

[15] 12-10-2021

[51] Cl. 23-04

[54] 香薰機

Aroma diffuser

[73] 季節智能電器有限公司

SSAW Limited

Unit 4711, 47/F., The Center,

99 Queen's Road Central,

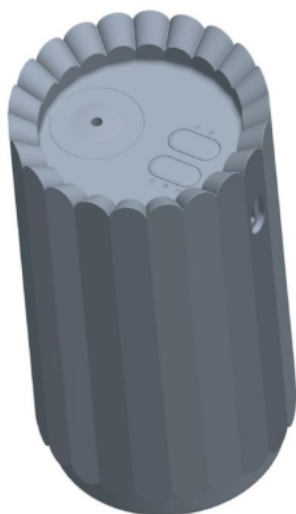
Central, Hong Kong

[74] FEDERATION OF HONG KONG INDUSTRIES

31/F, Billion Plaza,

8 Cheung Yue Street,

Cheung Sha Wan, Kowloon, Hong Kong



---

[11] 2118826.7M002

[15] 12-10-2021

[51] Cl. 23-04

[54] 香薰機

Aroma diffuser

[73] 季節智能電器有限公司

SSAW Limited

Unit 4711, 47/F., The Center,

99 Queen's Road Central,

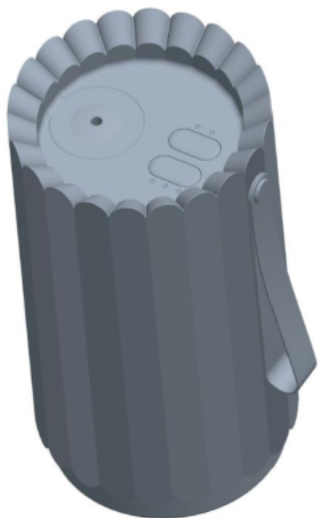
Central, Hong Kong

[74] FEDERATION OF HONG KONG INDUSTRIES

31/F, Billion Plaza,

8 Cheung Yue Street,

Cheung Sha Wan, Kowloon, Hong Kong



---

[11] 2118827.9M001

[15] 12-10-2021

[30] 15-04-2021 / CN / 202130214687.X

[51] Cl. 14-03

[54] 電視

Television

[73] 北京小米移動軟件有限公司

Beijing Xiaomi Mobile Software Co., Ltd.

中國內地

北京市海澱區西二旗中路 33 號院

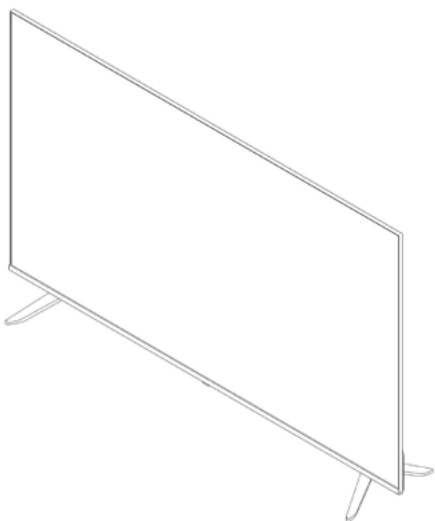
6 號樓 8 層 018 號

[74] 隆天專利商標代理有限公司

香港長沙灣

青山道 485 號

九龍廣場 10 樓 11 室



[11] 2118827.9M002

[15] 12-10-2021

[30] 15-04-2021 / CN / 202130214687.X

[51] Cl. 14-03

[54] 電視

Television

[73] 北京小米移動軟件有限公司

Beijing Xiaomi Mobile Software Co., Ltd.

中國內地

北京市海澱區西二旗中路 33 號院

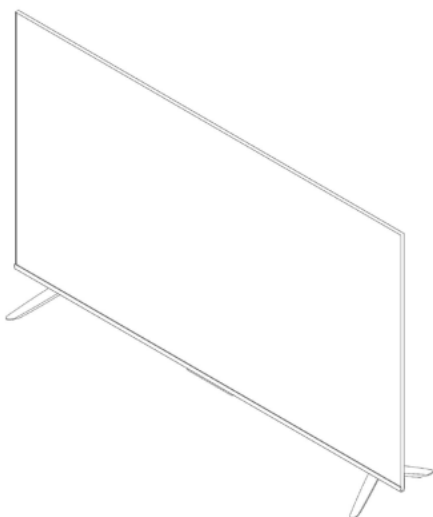
6 號樓 8 層 018 號

[74] 隆天專利商標代理有限公司

香港長沙灣

青山道 485 號

九龍廣場 10 樓 11 室



---

[11] 2118829.3

[15] 12-10-2021

[30] 15-04-2021 / EU / 008504203-0001

[51] Cl. 26-04

[54] 蠟燭

Candle

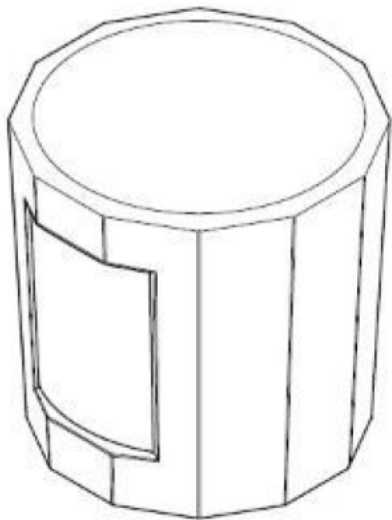
[73] CELINE

16 rue Vivienne,

75002 Paris,

France

[74] WENPING PATENT & TRADE MARK AGENT LIMITED  
1701 Tung Wai Commercial Building,  
111 Gloucester Road,  
Hong Kong



---

[11] 2118833.1

[15] 14-10-2021

[51] Cl. 13-02

[54] 移動電源

Battery charger

[73] 深圳市沛田電子科技有限公司

Shenzhen PeiTian Electronic Technology Co.,Ltd.

中國內地

深圳市龍華區民治街道

民樂社區星河 WORLD 二期 C 棟 1106

[74] 千里馬知識產權有限公司

香港新界

葵涌大連排道 42-46 號

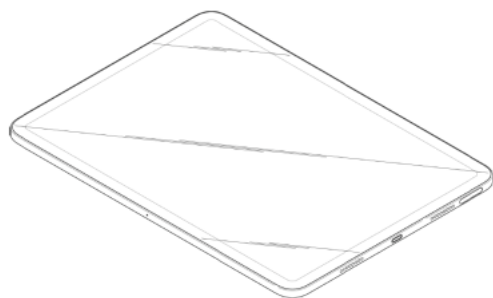
貴盛工業大廈二期 1 樓 H29 室



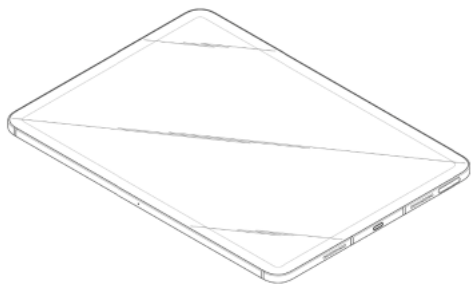
---

[11] 2118834.3M001

- [15] 14-10-2021
- [30] 14-04-2021 / US / 29/778,684
- [51] Cl. 14-03  
Cl. 14-02  
Cl. 14-01
- [54] 電子裝置  
Electronic device
- [73] 蘋果公司  
APPLE INC.  
One Apple Park Way, Cupertino,  
California 95014,  
United States of America
- [74] CLT PATENT & TRADEMARK (H.K.) LIMITED  
Unit 09, 34/F., Office Tower, Convention Plaza,  
1 Harbour Road,  
Wanchai, Hong Kong



- 
- [11] 2118834.3M002
- [15] 14-10-2021
- [30] 14-04-2021 / US / 29/778,684
- [51] Cl. 14-03  
Cl. 14-02  
Cl. 14-01
- [54] 電子裝置  
Electronic device
- [73] 蘋果公司  
APPLE INC.  
One Apple Park Way, Cupertino,  
California 95014,  
United States of America
- [74] CLT PATENT & TRADEMARK (H.K.) LIMITED  
Unit 09, 34/F., Office Tower, Convention Plaza,  
1 Harbour Road,  
Wanchai, Hong Kong



---

[11] 2118835.6

[15] 15-10-2021

[51] Cl. 26-05

[54] 星球燈

Light

[73] 陳瑛

Ying CHEN

3G, Building 94, Taoyuan Village, No.033,  
Longzhu Avenue, Nanshan District,  
Shenzhen, Guangdong Province,  
China

[74] HONG KONG INTELLECTUAL PROPERTY AGENT LIMITED

Unit 230, 2/F, Building 12W,  
No. 12 Science Park West Avenue,  
Phase 3, Hong Kong Science Park,  
Pak Shek Kok, N.T., Hong Kong



---

[11] 2118836.8

[15] 15-10-2021

[51] Cl. 28-03



[54] 化妝品容器

Cosmetic container

[73] AMOREPACIFIC CORPORATION

100, Hangang-daero,  
Yongsan-gu, Seoul,  
Korea, Republic of

[74] TRADEMARKCN COMPANY LIMITED

Block A, 4/F., Granville Building,  
14 Granville Road,  
Tsim Sha Tsui, Kowloon, Hong Kong



---

[11] 2118837.0

[15] 15-10-2021

[51] Cl. 28-03

[54] 化妝品容器

Cosmetic container

[73] AMOREPACIFIC CORPORATION

100, Hangang-daero,  
Yongsan-gu, Seoul,  
Korea, Republic of

[74] TRADEMARKCN COMPANY LIMITED

Block A, 4/F., Granville Building,  
14 Granville Road,  
Tsim Sha Tsui, Kowloon, Hong Kong



---

[11] 2118838.2

[15] 15-10-2021

[51] Cl. 28-03

[54] 化妝品容器

Cosmetic container

[73] AMOREPACIFIC CORPORATION

100, Hangang-daero,  
Yongsan-gu, Seoul,  
Korea, Republic of

[74] TRADEMARKCN COMPANY LIMITED

Block A, 4/F., Granville Building,  
14 Granville Road,  
Tsim Sha Tsui, Kowloon, Hong Kong



---

[11] 2118839.4

[15] 15-10-2021

[51] Cl. 28-03

[54] 化妝品容器

Cosmetic container

[73] AMOREPACIFIC CORPORATION

100, Hangang-daero,  
Yongsan-gu, Seoul,  
Korea, Republic of

[74] TRADEMARKCN COMPANY LIMITED

Block A, 4/F., Granville Building,  
14 Granville Road,  
Tsim Sha Tsui, Kowloon, Hong Kong



---

[11] 2118840.6

[15] 15-10-2021

[51] Cl. 28-03

[54] 化妝品容器

Cosmetic container

[73] AMOREPACIFIC CORPORATION

100, Hangang-daero,  
Yongsan-gu, Seoul,  
Korea, Republic of

[74] TRADEMARKCN COMPANY LIMITED

Block A, 4/F., Granville Building,  
14 Granville Road,  
Tsim Sha Tsui, Kowloon, Hong Kong



[11] 2118841.8

[15] 15-10-2021

[30] 19-04-2021 / CN / 202130223488.5

[51] Cl. 14-03

[54] 隨身 wifi 設備

Portable wifi apparatus

[73] 北京小米移動軟件有限公司

Beijing Xiaomi Mobile Software Co., Ltd.

中國內地

北京市海澱區西二旗中路 33 號院

6 號樓 8 層 018 號

[74] 隆天專利商標代理有限公司

香港長沙灣

青山道 485 號

九龍廣場 10 樓 11 室



[11] 2118842.0M001

[15] 15-10-2021

[30] 15-04-2021 / CN / 202130214400.3

[51] Cl. 7-02

[54] 電水壺

Electric kettle

[73] 北京小米移動軟件有限公司

Beijing Xiaomi Mobile Software Co., Ltd.

中國內地

北京市海澱區西二旗中路 33 號院

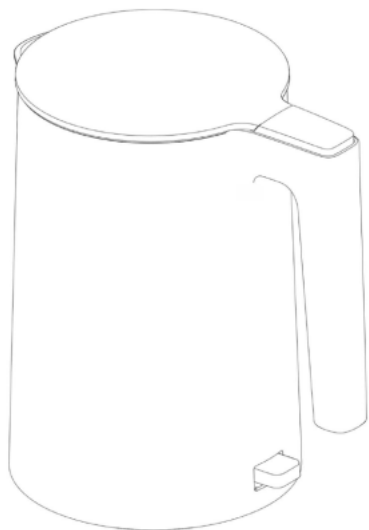
6 號樓 8 層 018 號

[74] 隆天專利商標代理有限公司

香港長沙灣

青山道 485 號

九龍廣場 10 樓 11 室



---

[11] 2118842.0M002

[15] 15-10-2021

[30] 15-04-2021 / CN / 202130214400.3

[51] Cl. 7-02

[54] 電水壺

Electric kettle

[73] 北京小米移動軟件有限公司

Beijing Xiaomi Mobile Software Co., Ltd.

中國內地

北京市海澱區西二旗中路 33 號院

6 號樓 8 層 018 號

[74] 隆天專利商標代理有限公司

香港長沙灣

青山道 485 號

九龍廣場 10 樓 11 室



---

[11] 2118845.7

[15] 15-10-2021

[51] Cl. 11-01

[54] 首飾

Jewellery

[73] JR JEWELS DMCC

Office 21G, Level 21, Silver Tower,  
Cluster I - Dubai,  
United Arab Emirates

[74] C&H IP LAW LIMITED

8/F., China Hong Kong Tower,  
8-12 Hennessy Road,  
Wan Chai, Hong Kong



---

[11] 2118846.9M001

[15] 15-10-2021

[30] 24-08-2021 / IL / 67505

[51] Cl. 21-01

[54] 馬戲大砲水玩玩具

Circus cannon water toy

[73] Global Marketing Enterprise (GME) Ltd.

P.O.B 25202, Tel Aviv 612510,

Israel

[74] WOO KWAN LEE & LO

Room 2801, Sun Hung Kai Centre,

30 Harbour Road,

Wanchai, Hong Kong



---

[11] 2118846.9M002

[15] 15-10-2021

[30] 24-08-2021 / IL / 67506

[51] Cl. 21-01

[54] 馬戲大象水玩玩具

Circus elephant water toy

[73] Global Marketing Enterprise (GME) Ltd.

P.O.B 25202, Tel Aviv 612510,

Israel

[74] WOO KWAN LEE & LO

Room 2801, Sun Hung Kai Centre,

30 Harbour Road,

Wanchai, Hong Kong



---

[11] 2118846.9M003

[15] 15-10-2021

[30] 24-08-2021 / IL / 67507

[51] Cl. 21-01

[54] 馬戲大象水玩玩具

Circus elephant water toy

[73] Global Marketing Enterprise (GME) Ltd.

P.O.B 25202, Tel Aviv 612510,  
Israel

[74] WOO KWAN LEE & LO

Room 2801, Sun Hung Kai Centre,  
30 Harbour Road,  
Wanchai, Hong Kong





- [11] 2118847.1  
[15] 27-10-2021  
[51] Cl. 3-01  
[54] 袋  
Bag  
[73] 黃芷彤  
WONG TZE TUNG  
香港新界  
深井段青山公路 33 號  
碧堤半島 9 座 30H  
[74] 黃芷彤  
香港新界  
深井段青山公路 33 號  
碧堤半島 9 座 30H



- 
- [11] 2118848.3M001  
[15] 18-10-2021  
[30] 25-05-2021 / CA, AM, AZ, BZ, BA, GE, LI, MK, MD, MC, MN, ME,  
MA, NO, OM, SG, CH, TN, TR, UA, GB, EU, AL, KG / DM/214 565  
[51] Cl. 11-01  
[54] 耳環  
Earrings  
[73] Harry Winston SA  
Chemin du Tourbillon 8,  
CH-1228 Plan-les-Ouates,  
Switzerland  
[74] SPRUSON & FERGUSON (HONG KONG) LIMITED  
5001 Hopewell Centre,  
183 Queen's Road East,  
Wan Chai, Hong Kong



---

[11] 2118848.3M002

[15] 18-10-2021

[30] 25-05-2021 / CA, AM, AZ, BZ, BA, GE, LI, MK, MD, MC, MN, ME, MA, NO, OM, SG, CH, TN, TR, UA, GB, EU, AL, KG / DM/214 565

[51] Cl. 11-01

[54] 指環

Ring

[73] Harry Winston SA

Chemin du Tourbillon 8,  
CH-1228 Plan-les-Ouates,  
Switzerland

[74] SPRUSON & FERGUSON (HONG KONG) LIMITED

5001 Hopewell Centre,  
183 Queen's Road East,  
Wan Chai, Hong Kong



---

[11] 2118848.3M003

[15] 18-10-2021

[30] 25-05-2021 / CA, AM, AZ, BZ, BA, GE, LI, MK, MD, MC, MN, ME, MA, NO, OM, SG, CH, TN, TR, UA, GB, EU, AL, KG / DM/214 565

[51] Cl. 11-01

[54] 指環  
Ring

[73] Harry Winston SA  
Chemin du Tourbillon 8,  
CH-1228 Plan-les-Ouates,  
Switzerland

[74] SPRUSON & FERGUSON (HONG KONG) LIMITED  
5001 Hopewell Centre,  
183 Queen's Road East,  
Wan Chai, Hong Kong



---

[11] 2118849.5

[15] 19-10-2021

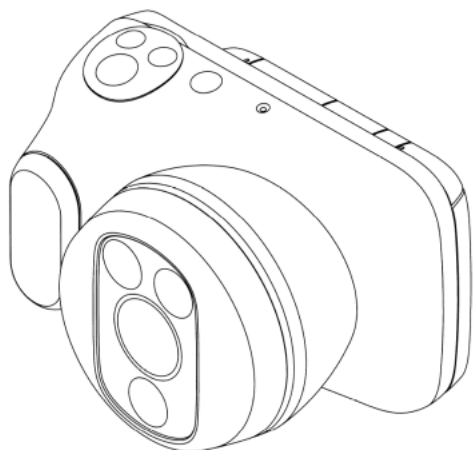
[30] 20-04-2021 / CN / 202130225046.4

[51] Cl. 16-01

[54] 數碼相機  
Digital camera

[73] 卡西歐計算機株式會社  
CASIO KEISANKI KABUSHIKI KAISHA (d.b.a.  
CASIO COMPUTER CO., LTD.)  
6-2, Hon-Machi 1-Chome,  
Shibuya-Ku, Tokyo,  
Japan

[74] CHINA PATENT AGENT (HONG KONG) LIMITED  
22/F, Great Eagle Centre,  
23 Harbour Road,  
Wanchai, Hong Kong



---

[11] 2118850.7M001

[15] 19-10-2021

[30] 07-05-2021 / LI, MC, OM, RU, SG, CH, TR, UA, GB, VN, EU, IS,  
JP, KR / WIPO101894

[51] Cl. 10-02

[54] 手錶

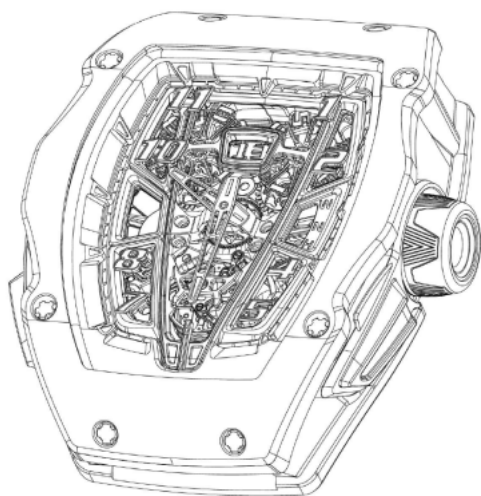
Watch

[73] Turlen Holding SA

Rue du Jura 11,  
2345 Les Breuleux,  
Switzerland

[74] WILKINSON & GRIST

6th Floor, Prince's Building,  
Chater Road,  
Hong Kong



---

[11] 2118850.7M002

[15] 19-10-2021

[30] 07-05-2021 / LI, MC, OM, RU, SG, CH, TR, UA, GB, VN, EU, IS, JP, KR / WIPO101894

[51] Cl. 10-07

[54] 錶殼

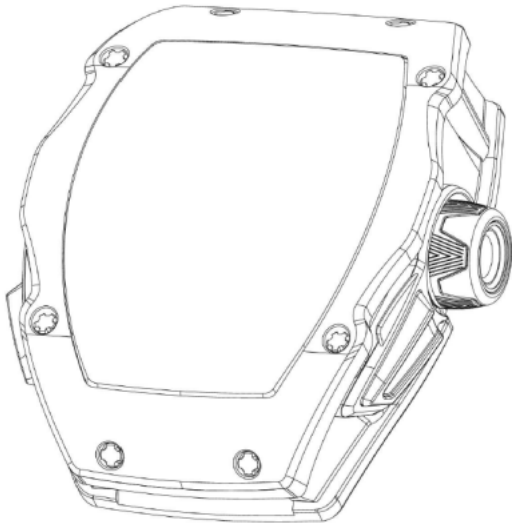
Watch case

[73] Turlen Holding SA

Rue du Jura 11,  
2345 Les Breuleux,  
Switzerland

[74] WILKINSON & GRIST

6th Floor, Prince's Building,  
Chater Road,  
Hong Kong



---

[11] 2118851.9

[15] 19-10-2021

[51] Cl. 10-04

[54] 智能天氣圖騰

Weather totem tree

[73] 科建國際集團有限公司

James Law Cybertecture International Holdings Limited  
702 Metropole Square,  
2 On Yiu Street,  
Shatin, New Territories, Hong Kong

[74] James Law Cybertecture International Holdings Limited

702 Metropole Square,  
2 On Yiu Street,  
Shatin, New Territories, Hong Kong



---

[11] 2118852.1

[15] 19-10-2021

[51] Cl. 15-99

[54] 機械人外殼

Robot shell

[73] 科建國際集團有限公司

James Law Cybertecture International Holdings Limited

702 Metropole Square,

2 On Yiu Street,

Shatin, New Territories, Hong Kong

[74] James Law Cybertecture International Holdings Limited

702 Metropole Square,

2 On Yiu Street,

Shatin, New Territories, Hong Kong



- [11] 2118854.5  
[15] 19-10-2021  
[30] 23-04-2021 / CN / 202130236964.7  
[51] C1. 12-08  
[54] 客車  
Bus  
[73] 比亞迪股份有限公司  
中國內地  
廣東省深圳市  
坪山區比亞迪路 3009 號  
[74] 香港知識產權代理有限公司  
香港新界  
白石角香港科學園第三期  
科技大道西 12 號 2 樓 230 室





香港特別行政區政府知識產權署外觀設計註冊處  
The Government of the Hong Kong Special Administrative Region  
Designs Registry, Intellectual Property Department

根據註冊外觀設計條例第 28 條，下列註冊外觀設計因未繳續期費而停止有效。

各組記項按註冊外觀設計停止有效日期及註冊編號先後次序排列。

**Registered designs ceased through non-payment of renewal fees under section 28 of the Registered Designs Ordinance. Entries are listed below under their expiry dates.**

**13-11-2021 - 17-11-2021**

<b>13-11-2021</b>	0603019.9	1602188.7M003
0111727.6	1102025.8	1602188.7M004
0602997.1	1102026.0	1602188.7M005
1102010.6	1102029.6	1602188.7M006
1102013.2	1602179.8M001	1602192.5M002
1102014.4	1602179.8M002	1602193.7M001
1602167.3M001	1602179.8M003	1602193.7M002
1602167.3M002	1602179.8M004	1602194.9M001
1602168.5M001	1602179.8M005	1602194.9M002
1602168.5M002	1602179.8M006	1602194.9M003
1602170.9	1602180.0M001	
1602171.1M001	1602180.0M002	<b>17-11-2021</b>
1602171.1M002	1602181.2M001	1102054.8M001
1602171.1M003	1602181.2M002	1102054.8M002
1602171.1M004	1602182.4M001	1102054.8M003
1602171.1M005	1602182.4M002	1102054.8M004
	1602182.4M003	1102054.8M005
<b>14-11-2021</b>	1602182.4M004	1102054.8M006
0111738.9	1602182.4M005	1102054.8M007
0603010.0	1602182.4M006	1602195.2
1102017.1	1602182.4M007	1602196.4M001
1102020.7M001	1602182.4M008	1602196.4M002
1102021.9	1602182.4M009	1602197.6
1602173.5	1602182.4M010	1602201.6M001
1602174.7	1602183.6	1602201.6M002
1602175.0	1602187.5	1602203.0
1602176.2		
1602177.4	<b>16-11-2021</b>	
	0603046.6	
<b>15-11-2021</b>	0603061.7	
0111750.4M001	1102039.7	
0111750.4M002	1102040.9	
0111750.4M003	1602188.7M001	
0111750.4M004	1602188.7M002	





香港特別行政區政府知識產權署外觀設計註冊處

The Government of the Hong Kong Special Administrative Region

Designs Registry, Intellectual Property Department

根據註冊外觀設計規則第 31 條刪除的註冊外觀設計。各組記項按註冊外觀設計刪除日期及註冊編號先後次序排列。

**Registered designs removed under section 31 of the Registered Designs Rules. Entries are listed below under their removal dates.**

**19-11-2021 - 25-11-2021**

<b>19-11-2021</b>	0110692.9
0601270.8M001	
1100790.7M001	<b>22-11-2021</b>
1100790.7M002	0601280.9
1100790.7M003	
1100790.7M004	<b>23-11-2021</b>
1100793.3M001	1100813.7
1100794.5M001	1600928.6
1100795.8	1600929.8
1100798.4	1600930.0
1600900.7M001	1600931.2
1600900.7M002	1600932.4
1600900.7M003	1600934.8M002
1600903.3	
1600905.8	<b>24-11-2021</b>
1600906.0M001	0601299.9
1600906.0M002	1100816.4
1600907.2M001	1100817.6
1600907.2M002	1100820.2M002
1600909.6	1100820.2M003
1600910.8	1600938.7
1600913.4	
1600914.6	<b>25-11-2021</b>
	0110729.9
<b>20-11-2021</b>	0110730.1M001
1100801.2	0110730.1M002
1100803.6	1100826.5M005
1600915.9	1100826.5M006
1600918.5	1600945.2M001
1600921.1	1600945.2M002
1600923.5	1600946.4M002
1600924.7	1600946.4M004

**21-11-2021**