



香港特別行政區政府知識產權署商標註冊處
Trade Marks Registry, Intellectual Property Department
The Government of the Hong Kong Special Administrative Region

接納註冊 (全文本)

商標註冊處處長已根據《商標條例》(第 559 章)第 42 條, 接納下列商標的註冊申請。現根據《商標條例》第 43 條及《商標規則》(第 559 章附屬法例)第 15 條, 公布申請的詳情。

根據《商標條例》第 44 條及《商標規則》第 16 條, 任何人擬就下列商標的註冊提出反對, 須在本公告公布日期起計的三個月內, 採用表格第 T6 號提交反對通知。(例如, 若果公布日期為 2003 年 4 月 4 日, 則該三個月的 後一日為 2003 年 7 月 3 日。)反對通知須載有反對理由的陳述及《商標規則》第 16(2)條所提述的事宜。反對人須在提交反對通知的同時, 將該通知的副本送交有關申請人。

有關商標註冊處處長根據商標條例(第 43 章)第 13 條/商標條例(第 559 章)附表 5 第 10 條所接納的註冊申請, 請到 <http://www.gld.gov.hk/cgi-bin/gld/egazette/index.cgi?lang=c&agree=0> 檢視電子憲報。

ACCEPTANCE FOR REGISTRATION (FULL VERSION)

The Registrar of Trade Marks has accepted the following trade marks for registration under section 42 of the Trade Marks Ordinance (Cap. 559). Under section 43 of the Trade Marks Ordinance and rule 15 of the Trade Marks Rules (Cap. 559 sub. leg.), the particulars of the applications are published.

Under section 44 of the Trade Marks Ordinance and rule 16 of the Trade Marks Rules, any person who wishes to oppose the registration of any of these marks shall, within the 3-month period beginning on the date of this publication, file a notice of opposition on Form T6. (For example, if the publication date is 4 April 2003, the last day of the 3-month period is 3 July 2003.) The notice of opposition shall include a statement of the grounds of opposition and the matters referred to in rule 16(2). The opponent shall, at the same time as he files the notice of opposition, send a copy of it to the applicant of the application in question.

For applications for registration accepted by the Registrar of Trade Marks under section 13 of the Trade Marks Ordinance (Cap. 43)/section 10 of Schedule 5 to the Trade Marks Ordinance (Cap. 559), please view e-gazette at <http://www.gld.gov.hk/cgi-bin/gld/egazette/index.cgi?lang=c&agree=0>.

類別 Class 6

[210] 商標申請編號: 305141736
Application No.:

[540] 商標 :
Mark:



[550] 商標種類 : Ordinary
Mark Type:
一系列商標 : NO
Series Mark:

[571] 商標描述 : N/A
Mark Description:

[730] 註冊申請人的姓名 / 名稱、地址 : CMOC LIMITED
Applicant(s)' 21/F CENTRAL 88,
Name,Address: No. 88 DES VOEUX ROAD CENTRAL,
HONG KONG

[740/ 註冊申請人的送達地址 : WENPING PATENT & TRADE MARK AGENT LIMITED
750] Applicant's Address for 1701 Tung Wai Commercial Building,
Service: 111 Gloucester Road,
Hong Kong

[511] 類別編號 : 6,7,14,35,37,39,40,42
Class(es) No(s) .:

[511] 貨品 / 服務說明 :
Specification:
Class 6:
Common metals and their alloys; metal building materials; metal materials for building and construction; transportable buildings of metal; materials of metal for railway tracks; non-electric cables and wires of common metal; ironmongery; small items of metal hardware; pipes and tubes of metal; safes; ores; buildings of metal; metal containers for storage or transport; packaging containers of metal; crude and semi-wrought common metals and their alloys; rolled, forged, pressed, extruded, compressed and/or cut shaped metal parts being semi-finished products mainly of molybdenum, copper, cobalt, tungsten, phosphate or niobium alloys.
Class 7:
Machinery and machine tools, namely rolling mills, rolling mill cylinders, continuous metal casting machines, machines for cutting and slicing, machines for forming, oxygen cutting, milling, electric welding, stubbing, drawing metals, sheets and plates of metal, steel converters; motors and engines other than for motor-driven land vehicles and their

component parts; couplings and transmission components.

Class 14:

Precious metals and their alloys; gold, unwrought or beaten; silver, unwrought or beaten; iridium; platinum [metal]; precious metals, unwrought or semi-wrought.

Class 35:

Advertising services provided in relation to wholesale and retail of metal hardware; business management services provided in relation to wholesale and retail of metal hardware; business administration services provided in relation to wholesale and retail of metal hardware; office functions services provided in relation to wholesale and retail of metal hardware; market studies in relation to wholesale and retail of metal hardware; import and export agency services for metal hardware; wholesale services for metal hardware; retail services for metal hardware; online retail store services featuring metal hardware; online wholesale store services featuring metal hardware.

Class 37:

Building construction; mining extraction; mining services.

Class 39:

Car rental; boat rental; motor coach rental; railway coach rental; railway transport rental; railway truck rental; rental of navigational systems; rental of storage containers; marine transport; operating canal locks; refloating of ships; unloading cargo; freight [shipping of goods]; freight forwarding; wrapping of goods; port services [docking services]; transport brokerage; freight brokerage; salvage of ships; marine transport; transportation information; transportation logistics; transporting furniture; providing transportation information and traffic information; storage information.

Class 40:

Treatment of metal; metallizing; metal casting; metal hardening; metal laminating; metal plating; metal tempering; enameling of metals; heat treatment of metals; refining of metals; custom manufacture of metal hardware; metal fabrication and finishing services; rental of metal treating machines and tools; treatment and coating of metal surfaces; material treatment services; processing and transforming of energy and metal; processing of chemicals; processing of raw materials.

Class 42:

Scientific and technological services and research and design relating thereto, namely valuations, estimates and scientific and technological investigations, consultancy services relating thereto; industrial analysis and research services, namely research and development of new products, chemical research, technical and mechanical research; design and development of computer software; client-base services, namely scientific and technological advice, information and assistance; advice, information and assistance in materials testing, mechanics research, and technical projects study; technical and scientific advice, information and assistance for improving the quality of goods and services in the field of metals, steels and their applications; expert opinions and evaluations in the field of metals, steels and their applications; scientific advice, information and assistance over the choice and use of steels; expert opinions (evaluations) on steels and their applications; scientific advice, information and advice on building especially in connection with the choice and use of steels; the drawing up of building plans; mechanical engineering research; design (development), development of computer software designed for the iron and steel industry.

- [526] 卸棄 : N/A
Disclaimer:
- [529] 限制 : N/A
Limitation:
- [527] 條件 : N/A
Condition:
其他 : N/A
Others
- [220] 提交日期 : 13-12-2019
Date of Filing:
- [320] 聲稱具有優先權的日期 : N/A
Date of Priority Claimed:
- [310] 優先權申請編號 : N/A
Priority Application Number:
- [340] 聲稱具有優先權 (部分) : N/A
Priority Claim Details:
- [330] 優先權申請的
國家、地區、地方 : N/A
Country, territory, area of
Priority Applications:

- [210] 商標申請編號 : 305641939
Application No.:
- [540] 商標 :
Mark:
- 
- [550] 商標種類 : Ordinary
Mark Type:
一系列商標 : NO
Series Mark:
- [571] 商標描述 : N/A
Mark Description:
- [730] 註冊申請人的姓名 / 名稱、地址 : CMOC LIMITED
Applicant(s) ' ROOM 806, OFFICEPLUS@SHEUNG WAN,
Name,Address: 93-103 WING LOK STREET, SHEUNG WAN,
HONG KONG
- [740/ 註冊申請人的送達地址 : VINCENT LUK & ASSOCIATES
750] Applicant's Address for Unit A, 13th Floor, Nathan Commercial
Service: Building,
430 Nathan Road, Kowloon,
HONG KONG
- [511] 類別編號 : 1,6,14,37,40,42
Class(es) No(s) .:
- [511] 貨品 / 服務說明 : Class 6:
Specification: Molybdenum iron; molybdenum; tungsten;
tungsten iron; tungsten powder; cobalt, raw;
niobium; copper ingots; copper strip;
electrolytic copper; aluminium; aluminium
alloys; steel; steel grit; steel sheets; pig
iron; iron slabs; iron strip; peeled metal
bars; laths of metal; sheet piles of metal;
sheets and plates of metal; metals in powder
form; alloys of common metal; copper,
unwrought or semi-wrought; zinc; zinc powder;
zinc ingots; zinc alloy ingots; lead,
unwrought or semi-wrought; lead ingots; lead
alloy ingots; nickel; nickel alloys; copper
tube; tubes of stainless steel; steel tubes;
building materials of metal; railway material
of metal; brass wire; steel wire; aluminium
wire; iron wire; sheet iron strip; steel
strip; wire of common metal alloys, except
fuse wire; cable joints of metal, non-
electric; ironmongery; copper rings; fittings
of metal for windows; trays of metal; steel
box; bins of metal; brazing alloys; rods of
metal for brazing; soldering wire of metal;
bronzes [works of art]; works of art of common
metal; molybdenum stone; tungsten ore; copper
ore; cobalt ores; iron ores; chromite ore;
ores of metal; zinc ore stone; galena [ore];
lead ore; nickel ore; powdered iron; all
included in Class 6.

[526] 卸棄:	N/A
Disclaimer:	
[529] 限制:	N/A
Limitation:	
[527] 條件:	N/A
Condition:	
其他:	N/A
Others	
[220] 提交日期:	31-05-2021
Date of Filing:	
[320] 聲稱具有優先權的日期:	N/A
Date of Priority Claimed:	
[310] 優先權申請編號:	N/A
Priority Application Number:	
[340] 聲稱具有優先權 (部分):	N/A
Priority Claim Details:	
[330] 優先權申請的	N/A
國家、地區、地方:	
Country, territory, area of	
Priority Applications:	
<hr/>	
[210] 商標申請編號:	305641984
Application No.:	
[540] 商標:	
Mark:	
[550] 商標種類:	Ordinary
Mark Type:	
一系列商標:	NO
Series Mark:	
[571] 商標描述:	N/A
Mark Description:	
[730] 註冊申請人的姓名 / 名稱、地址:	CMOC LIMITED
Applicant(s) 'Name,Address:	ROOM 806, OFFICEPLUS@SHEUNG WAN, 93-103 WING LOK STREET, SHEUNG WAN, HONG KONG
[740/ 註冊申請人的送達地址:	VINCENT LUK & ASSOCIATES
750] Applicant's Address for Service:	Unit A, 13th Floor, Nathan Commercial Building, 430 Nathan Road, Kowloon, HONG KONG
[511] 類別編號:	1, 6, 14, 37, 40, 42
Class(es) No(s) .:	

[511] 貨品 / 服務說明 :	Specification:	Class 6: Molybdenum iron; molybdenum; tungsten; tungsten iron; tungsten powder; cobalt, raw; niobium; copper ingots; copper strip; electrolytic copper; aluminium; aluminium alloys; steel; steel grit; steel sheets; pig iron; iron slabs; iron strip; peeled metal bars; laths of metal; sheet piles of metal; sheets and plates of metal; metals in powder form; alloys of common metal; copper, unwrought or semi-wrought; zinc; zinc powder; zinc ingots; zinc alloy ingots; lead, unwrought or semi-wrought; lead ingots; lead alloy ingots; nickel; nickel alloys; copper tube; tubes of stainless steel; steel tubes; building materials of metal; railway material of metal; brass wire; steel wire; aluminium wire; iron wire; sheet iron strip; steel strip; wire of common metal alloys, except fuse wire; cable joints of metal, non- electric; ironmongery; copper rings; fittings of metal for windows; trays of metal; steel box; bins of metal; brazing alloys; rods of metal for brazing; soldering wire of metal; bronzes [works of art]; works of art of common metal; molybdenum stone; tungsten ore; copper ore; cobalt ores; iron ores; chromite ore; ores of metal; zinc ore stone; galena [ore]; lead ore; nickel ore; powdered iron; all included in Class 6.
[526] 卸棄 :	Disclaimer:	N/A
[529] 限制 :	Limitation:	N/A
[527] 條件 :	Condition:	N/A
其他 :	Others	N/A
[220] 提交日期 :	Date of Filing:	31-05-2021
[320] 聲稱具有優先權的日期 :	Date of Priority Claimed:	N/A
[310] 優先權申請編號 :	Priority Application Number:	N/A
[340] 聲稱具有優先權 (部分) :	Priority Claim Details:	N/A
[330] 優先權申請的 國家、地區、地方 :	Country, territory, area of Priority Applications:	N/A

- [210] 商標申請編號 : 305677499
Application No.:
- [540] 商標 :
Mark: **洛 陽 鉬 業**
- [550] 商標種類 : Ordinary
Mark Type:
一系列商標 : NO
Series Mark:
- [571] 商標描述 : N/A
Mark Description:
- [730] 註冊申請人的姓名 / 名稱、地址 : CMOC LIMITED
Applicant(s) ' ROOM 806, OFFICEPLUS@SHEUNG WAN,
Name,Address: 93-103 WING LOK STREET, SHEUNG WAN,
HONG KONG
- [740/ 註冊申請人的送達地址 : VINCENT LUK & ASSOCIATES
750] Applicant's Address for Unit A, 13th Floor, Nathan Commercial
Service: Building,
430 Nathan Road, Kowloon,
HONG KONG
- [511] 類別編號 : 1,6,14,37,40,42
Class(es) No(s) .:
- [511] 貨品 / 服務說明 : Class 6:
Specification: Molybdenum iron; molybdenum; tungsten;
tungsten iron; tungsten powder; cobalt, raw;
niobium; copper ingots; copper strip;
electrolytic copper; aluminium; aluminium
alloys; steel; steel grit; steel sheets; pig
iron; iron slabs; iron strip; peeled metal
bars; laths of metal; sheet piles of metal;
sheets and plates of metal; metals in powder
form; alloys of common metal; copper,
unwrought or semi-wrought; zinc; zinc powder;
zinc ingots; zinc alloy ingots; lead,
unwrought or semi-wrought; lead ingots; lead
alloy ingots; nickel; nickel alloys; copper
tube; tubes of stainless steel; steel tubes;
building materials of metal; railway material
of metal; brass wire; steel wire; aluminium
wire; iron wire; sheet iron strip; steel
strip; wire of common metal alloys, except
fuse wire; cable joints of metal, non-
electric; ironmongery; copper rings; fittings
of metal for windows; trays of metal; steel
box; bins of metal; brazing alloys; rods of
metal for brazing; soldering wire of metal;
bronzes [works of art]; works of art of common
metal; molybdenum stone; tungsten ore; copper
ore; cobalt ores; iron ores; chromite ore;
ores of metal; zinc ore stone; galena [ore];
lead ore; nickel ore; powdered iron; all
included in Class 6.

[526]	卸棄: Disclaimer:	N/A
[529]	限制: Limitation:	N/A
[527]	條件: Condition: 其他: Others	N/A
[220]	提交日期: Date of Filing:	06-07-2021
[320]	聲稱具有優先權的日期: Date of Priority Claimed:	N/A
[310]	優先權申請編號: Priority Application Number:	N/A
[340]	聲稱具有優先權 (部分): Priority Claim Details:	N/A
[330]	優先權申請的 國家、地區、地方: Country, territory, area of Priority Applications:	N/A
<hr/>		
[210]	商標申請編號: Application No.:	305763754
[540]	商標: Mark:	
[550]	商標種類: Mark Type: 一系列商標: Series Mark:	Ordinary NO
[571]	商標描述: Mark Description:	N/A
[730]	註冊申請人的姓名 / 名稱、地址: Applicant(s)' Name,Address:	CAMP S.P.A. COSTRUZIONE ARTICOLI MONTAGNA PREMANA Via Roma, 23, 23834 PREMANA (LC) ITALY
[740/ 750]	註冊申請人的送達地址: Applicant's Address for Service:	MINTERELLISON LLP Level 32, Wu Chung House 213 Queen's Road East HONG KONG
[511]	類別編號: Class(es) No(s) .:	6,9

[511] 貨品 / 服務說明 :
Specification:

Class 6:

Metal hardware products for mountaineering, climbing, rock climbing, caving, sporting activities and mountain activities; cramps of metal [crampons] including crampons [climbing irons], crampons [rock climbing irons], ice crampons, snow crampons; metal rock pitons and ice screws, metal eyebolts [mountaineering equipment]; wedges, nuts, studs and hexagons of metal; hooks of metal; carabiners and quickdraws of metal; window pulleys of metal; anchoring, fixing, retaining (fixing), lifting and shock absorbing devices and apparatus of metal; anchor cables of metal; rings of metal and grommets of metal; wire stretchers [tension links]; straps of metal and belt fasteners of metal; tension links of metal; wire ropes of metal; cargo slings of metal; braces of metal for handling loads; step tools of metal for mountaineering and caving; split rings of common metal for keys; parts, spare parts and fittings for all the above mentioned goods.

Class 9:

Safety, security, protection and signalling devices; fall arrest apparatus and protective and safety equipment; life-saving apparatus and instruments being systems, devices and apparatus for people recovery and lifting; protection devices for personal use against accidents; safety harnesses, other than for vehicles or sports purposes, support belts for workers, life belts, safety restraints, other than for vehicle seats and sports equipment, safety ropes and safety fittings in particular carabiners, fasteners, rings, studs, pulleys, cords and lanyards for safety purposes for fall protection; non-slipping safety devices of metal and rubber for fitting to footwear; fall arrest apparatus being protective pads for fall arrests in sporting activities in particular rock climbing; fall arrest lifelines, safety tripods, protective helmets, safety helmets, headgear being protective helmets, protective helmets for sports, helmets for mountaineering, helmets for ski mountaineering and helmets for rock climbing, protective balaclavas, protective visors and masks, safety gloves; parts, spare parts and fittings for all the above mentioned goods; life saving and evacuation and emergency mechanical life-saving apparatus; avalanche probes, evacuation triangles, winches.

[526] 卸棄 :
Disclaimer:

N/A

[529] 限制 :	N/A
Limitation:	
[527] 條件 :	N/A
Condition:	
其他 :	N/A
Others	
[220] 提交日期 :	04-10-2021
Date of Filing:	
[320] 聲稱具有優先權的日期 :	N/A
Date of Priority Claimed:	
[310] 優先權申請編號 :	N/A
Priority Application Number:	
[340] 聲稱具有優先權 (部分) :	N/A
Priority Claim Details:	
[330] 優先權申請的 國家、地區、地方 :	N/A
Country, territory, area of Priority Applications:	

[210] 商標申請編號 :	305789945
Application No.:	
[540] 商標 :	
Mark:	
[550] 商標種類 :	Ordinary
Mark Type:	
一系列商標 :	NO
Series Mark:	
[571] 商標描述 :	The applicant claims the colours golden yellow, yellow and orange as elements of the trade mark.
Mark Description:	
[730] 註冊申請人的姓名 / 名稱、地址 :	WGT UNIVERSAL CORPORATION LIMITED ROOM 2252, 22/F., HOI TAI ESTATE, KIN FAT STREET, TUEN MUN, N.T., HONG KONG
Applicant(s) ' Name,Address:	
[740/ 註冊申請人的送達地址 :	FLEXKIN CORPORATE SERVICES LIMITED
750] Applicant's Address for Service:	UNIT 2104, 21/F., MONGKOK COMMERCIAL CENTRE, 16 ARGYLE STREET, MONGKOK, KOWLOON HONG KONG
[511] 類別編號 :	2,3,6,11,19,20
Class(es) No(s) .:	
[511] 貨品 / 服務說明 :	Class 6:
Specification:	Construction elements made of metal and steel; construction fittings of metal; frames of metal for construction work; pipelines made of

metal; metal construction materials; metallic anti-slip blocks for building construction; fire-proof or fire-resistant cabinets of metal and doors of metal; all-weather sports surfacing materials of metal; prefabricated metal building assembly kits; wall claddings and linings of metal for building; transportable buildings made of metal, as movable pavilions and exhibition stands; all included in Class 6.

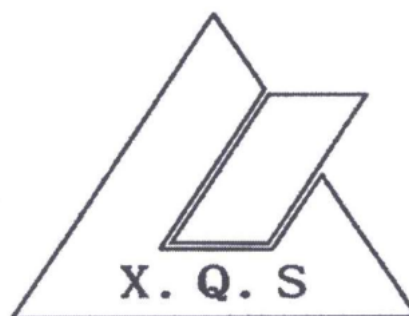
- [526] 卸棄 : N/A
Disclaimer:
- [529] 限制 : N/A
Limitation:
- [527] 條件 : N/A
Condition:
其他 : N/A
Others
- [220] 提交日期 : 03-11-2021
Date of Filing:
- [320] 聲稱具有優先權的日期 : N/A
Date of Priority Claimed:
- [310] 優先權申請編號 : N/A
Priority Application Number:
- [340] 聲稱具有優先權 (部分) : N/A
Priority Claim Details:
- [330] 優先權申請的
國家、地區、地方 : N/A
Country, territory, area of
Priority Applications:
-
-

- [210] 商標申請編號 : 305789963
Application No.:
- [540] 商標 :
Mark:



- [550] 商標種類： 一般商標
Mark Type:
一系列商標： 否
Series Mark:
- [571] 商標描述： 不適用
Mark Description:
- [730] 註冊申請人的姓名 / 名稱、地址： 四川鑫宏揚防火門窗有限公司
Applicant(s) ' 中國
Name,Address: 四川省成都市
郫縣唐昌鎮橫山村五組
- [740/ 註冊申請人的送達地址： 東靈通國際品牌諮詢集團有限公司
750] Applicant's Address for 香港
Service: 灣仔軒尼詩道 338 號
北海中心 10 樓 E 室
- [511] 類別編號： 6
Class(es) No(s) .:
- [511] 貨品 / 服務說明： 類別 6:
Specification: 金屬門門；金屬杆；金屬門；窗用金屬附件；金屬格柵；金屬
門；未加工或半加工普通金屬；金屬大門；金屬門板；非自動
旋轉柵門
- [526] 卸棄： 不適用
Disclaimer:
- [529] 限制： 不適用
Limitation:
- [527] 條件： 不適用
Condition:
其他： 不適用
Others
- [220] 提交日期： 03-11-2021
Date of Filing:
- [320] 聲稱具有優先權的日期： 不適用
Date of Priority Claimed:
- [310] 優先權申請編號： 不適用
Priority Application Number:
- [340] 聲稱具有優先權 (部分)： 不適用
Priority Claim Details:
- [330] 優先權申請的 不適用
國家、地區、地方：
Country, territory, area of
Priority Applications:
-
- [210] 商標申請編號： 305815233
Application No.:

[540] 商標：
Mark:



[550] 商標種類： 一般商標
Mark Type:
一系列商標： 否
Series Mark:

[571] 商標描述： 不適用
Mark Description:

[730] 註冊申請人的姓名 / 名稱、地址：
Applicant(s) ' Name,Address: 南通順仕特精密科技有限公司
中國
江蘇省南通市
開發區新興東路 22 號廠區 7 號廠房

[740/ 註冊申請人的送達地址：
750] Applicant's Address for Service: Hong Kong Zhiwang Intellectual Property Service Co., Limited.
RM18, 27/F, Ho King Comm CTR,
2-16 Fayuen ST, Mongkok Kowloon,
HONG KONG

[511] 類別編號： 6, 7, 35
Class(es) No(s) .:

[511] 貨品 / 服務說明：
Specification: 類別 6：
保險櫃（金屬或非金屬）；冷鑄模（鑄造）；存儲和運輸用金屬容器；普通金屬線；機器傳動帶用金屬加固材料；纜繩用金屬接線螺釘；金屬製身份鑒別手環；金屬標示牌；金屬軌道；金屬鑄模
類別 7：
衝壓機；冷沖模；切削工具和金屬加工機械；壓鑄模；電焊設備；磨床；精加工機器；金屬加工機械；銑床；鑄造機械
類別 35：
人事管理諮詢；在計算機數據庫中更新和維護數據；尋找贊助；將信息編入計算機數據庫；市場營銷；廣告；特許經營的商業管理；藥用、獸醫用、衛生用製劑和醫療用品的零售服務；財務審計；進出口代理

[526] 卸棄： 不適用
Disclaimer:

[529] 限制： 不適用
Limitation:

[527] 條件： 不適用
Condition:
其他： 不適用
Others

[220] 提交日期: 27-11-2021
Date of Filing:
[320] 聲稱具有優先權的日期: 不適用
Date of Priority Claimed:
[310] 優先權申請編號: 不適用
Priority Application Number:
[340] 聲稱具有優先權 (部分): 不適用
Priority Claim Details:
[330] 優先權申請的
國家、地區、地方: 不適用
Country, territory, area of
Priority Applications:

[210] 商標申請編號: 305815242
Application No.:
[540] 商標:
Mark:

圣都

[550] 商標種類: 一般商標
Mark Type:
一系列商標: 否
Series Mark:
[571] 商標描述: 不適用
Mark Description:
[730] 註冊申請人的姓名 / 名稱、地址: 南通順仕特精密科技有限公司
Applicant(s) ' 中國
Name, Address: 江蘇省南通市
開發區新興東路 22 號廠區 7 號廠房
[740/ 註冊申請人的送達地址: Hong Kong Zhiwang Intellectual Property
750] Applicant's Address for Service Co., Limited.
RM18, 27/F, Ho King Comm CTR,
2-16 Fayuen ST, Mongkok Kowloon,
HONG KONG
[511] 類別編號: 6, 7, 35
Class(es) No(s) .:
[511] 貨品 / 服務說明: 類別 6:
Specification: 保險櫃 (金屬或非金屬); 冷鑄模 (鑄造); 存儲和運輸用金屬容器; 普通金屬線; 機器傳動帶用金屬加固材料; 纜繩用金屬接線螺釘; 金屬製身份鑒別手環; 金屬標示牌; 金屬軌道;

金屬鑄模


類別 7:

衝壓機; 冷沖模; 切削工具和金屬加工機械; 壓鑄模; 電焊設備; 磨床; 精加工機器; 金屬加工機械; 銑床; 鑄造機械
類別 35:

人事管理諮詢; 在計算機數據庫中更新和維護數據; 尋找贊助; 將信息編入計算機數據庫; 市場營銷; 廣告; 特許經營的商業管理; 藥用、獸醫用、衛生用製劑和醫療用品的零售服務; 財務審計; 進出口代理

[526]	卸棄: Disclaimer:	不適用
[529]	限制: Limitation:	不適用
[527]	條件: Condition: 其他: Others	不適用
[220]	提交日期: Date of Filing:	27-11-2021
[320]	聲稱具有優先權的日期: Date of Priority Claimed:	不適用
[310]	優先權申請編號: Priority Application Number:	不適用
[340]	聲稱具有優先權 (部分): Priority Claim Details:	不適用
[330]	優先權申請的 國家、地區、地方: Country, territory, area of Priority Applications:	不適用

類別 Class 7

- [210] 商標申請編號 : 304975093
Application No.:
- [540] 商標 :
Mark:
- 
- [550] 商標種類 : Ordinary
Mark Type:
一系列商標 : NO
Series Mark:
- [571] 商標描述 : N/A
Mark Description:
- [730] 註冊申請人的姓名 / 名稱、地址 : APIX INTERNATIONAL CO., LTD.
Applicant(s) ' 4 Chome-7-7, Nihonbashi
Name,Address: Naniwa-ku, Osaka-shi, Osaka-fu
JAPAN
- [740/ 註冊申請人的送達地址 : BARRON & YOUNG INTELLECTUAL PROPERTY LIMITED
750] Applicant's Address for Suite 617, Lakeside 2 No. 10 Science Park West
Service: Avenue,
Hong Kong Science Park, Shatin, N.T.
HONG KONG
- [511] 類別編號 : 7,11
Class(es) No(s) .:
- [511] 貨品 / 服務說明 : Class 7:
Specification: Vehicle washing installation; Washing installations for vehicles; High pressure washers; Rinsing machines; Vacuum cleaners; Waxing machine; Floor washing machine; Electric vacuum cleaners; Washing machines; Spin driers [not heated]; Fruit presses, electric, for household purposes; Household ultrasonic cleaning machine; Fruit presses, electric, for household purposes; Household food processor; Blenders, electric, for household purposes; Coffee grinders, other than hand-operated
Class 11:
Lighting apparatus and installations; Light bulbs, electric; Stove; Basin [part of sanitary installation]; Walk-in refrigerators; Electric fans for personal use; Electric fan; Freezing device; Air purifier; Cold and warm air conditioner; Heating cushions [pads], electric, not for medical purposes; Electric oven; Electric hot pot; Deep fryers, electric; Toilet seat with washing device; Dehumidifier; Humidifier; Coffee machines, electric; Air driers [dryers]; Kitchenware sterilizing cabinet

[526] 卸棄: N/A
Disclaimer:

[529] 限制: N/A
Limitation:

[527] 條件: N/A
Condition:
其他: N/A
Others

[220] 提交日期: 27-06-2019
Date of Filing:

[320] 聲稱具有優先權的日期: N/A
Date of Priority Claimed:

[310] 優先權申請編號: N/A
Priority Application Number:

[340] 聲稱具有優先權 (部分): N/A
Priority Claim Details:

[330] 優先權申請的
國家、地區、地方: N/A
Country, territory, area of
Priority Applications:

[210] 商標申請編號: 305141736
Application No.:

[540] 商標:
Mark:



[550] 商標種類: Ordinary
Mark Type:
一系列商標: NO
Series Mark:

[571] 商標描述: N/A
Mark Description:

[730] 註冊申請人的姓名 / 名稱、地址: CMOC LIMITED
Applicant(s) ' 21/F CENTRAL 88,
Name,Address: No. 88 DES VOEUX ROAD CENTRAL,
HONG KONG

[740/ 註冊申請人的送達地址 : WENPING PATENT & TRADE MARK AGENT LIMITED
750] Applicant's Address for 1701 Tung Wai Commercial Building,
Service: 111 Gloucester Road,
Hong Kong
[511] 類別編號 : 6, 7, 14, 35, 37, 39, 40, 42
Class(es) No(s) . :
[511] 貨品 / 服務說明 : Class 7:
Specification: Machinery and machine tools, namely rolling
mills, rolling mill cylinders, continuous
metal casting machines, machines for cutting
and slicing, machines for forming, oxygen
cutting, milling, electric welding, stubbing,
drawing metals, sheets and plates of metal,
steel converters; motors and engines other
than for motor-driven land vehicles and their
component parts; couplings and transmission
components.
[526] 卸棄 : N/A
Disclaimer:
[529] 限制 : N/A
Limitation:
[527] 條件 : N/A
Condition:
其他 : N/A
Others
[220] 提交日期 : 13-12-2019
Date of Filing:
[320] 聲稱具有優先權的日期 : N/A
Date of Priority Claimed:
[310] 優先權申請編號 : N/A
Priority Application Number:
[340] 聲稱具有優先權 (部分) : N/A
Priority Claim Details:
[330] 優先權申請的 N/A
國家、地區、地方 :
Country, territory, area of
Priority Applications:

[210] 商標申請編號 : 305768533
Application No.:

[540] 商標 :
Mark:

GMAC

[550] 商標種類 : 一般商標
Mark Type:
一系列商標 : 否
Series Mark:

[571] 商標描述 : 不適用
Mark Description:

[730] 註冊申請人的姓名 / 名稱、地址 : 廣東聚德機械有限公司
Applicant(s) ' 中國
Name, Address: 惠州市潼湖經濟管理區
聯發大道北面 6 號辦公樓

[740/ 註冊申請人的送達地址 : 旻貝國際知識產權代理有限公司
750] Applicant's Address for 香港
Service: 新界白石角香港科學園
第三期科技大道西 12 號 2 樓 230 室

[511] 類別編號 : 7
Class(es) No(s) .:

[511] 貨品 / 服務說明 : 類別 7:
Specification: 包裝機; 模壓加工機器; 食品加工機 (電動); 印刷機; 印刷
滾筒; 在金屬薄板上使用的印刷機器; 印刷機器; 裁紙機; 貼
標籤機 (機器); 壓花機; 印刷機用油墨輥; 進紙機 (印刷)
; 雕刻機; 自動操作機 (機械手); 工業機器人; 風箱 (機器
部件); 滾筒 (機器部件); 切斷機 (機器); 刀 (機器部件)
); 機罩 (機器部件)

[526] 卸棄 : 不適用
Disclaimer:

[529] 限制 : 不適用
Limitation:

[527] 條件 : 不適用
Condition:
其他 : 不適用
Others

[220] 提交日期 : 09-10-2021
Date of Filing:

[320] 聲稱具有優先權的日期 : 不適用
Date of Priority Claimed:

[310] 優先權申請編號 : 不適用
Priority Application Number:

[340] 聲稱具有優先權 (部分) : 不適用

Priority Claim Details:

[330] 優先權申請的 不適用
國家、地區、地方：
Country, territory, area of
Priority Applications:

[210] 商標申請編號： 305770819
Application No.:

[540] 商標：
Mark:



[550] 商標種類： Ordinary
Mark Type:
一系列商標： NO
Series Mark:

[571] 商標描述： N/A
Mark Description:

[730] 註冊申請人的姓名 / 名稱、地址： AMOB - MÁQUINAS E FERRAMENTAS, S.A.
Applicant(s) ' Rua Padre Domingos Joaquim Pereira,
Name,Address: N.º 1249, Louro, 4760-563 Vila Nova de
Famalicão,
PORTUGAL

[740/ 註冊申請人的送達地址： 勁標國際知識產權代理有限公司
750] Applicant's Address for 香港
Service: 中環干諾道中 1 號
AIA 友邦金融中心大廈 28 樓

[511] 類別編號： 7
Class(es) No(s) .:

[511] 貨品 / 服務說明： Class 7:
Specification: Machine tools;Hydraulic presses [for
metalworking];Industrial machine
presses;Profiling machines;Bevelled edge
formers [machines];Strapping machines;Pipe
induction bending machines;Stone-working
machines;Punching machines;Moving
walkways;Saws [machines];Punches for punching
machines;Door closers, pneumatic;Door openers,
pneumatic;Holding devices for machine
tools;Roller bridges;Driving motors, other
than for land vehicles;Moulds [parts of
machines];Horning machines [for
metalworking];Chucks [parts of
machines];Hydraulic controls for machines,
motors and engines.

[526] 卸棄： N/A
Disclaimer:

[529] 限制 : N/A
Limitation:

[527] 條件 : N/A
Condition:
其他 : N/A
Others

[220] 提交日期 : 29-11-2021
Date of Filing:

[320] 聲稱具有優先權的日期 : N/A
Date of Priority Claimed:

[310] 優先權申請編號 : N/A
Priority Application Number:

[340] 聲稱具有優先權 (部分) : N/A
Priority Claim Details:

[330] 優先權申請的
國家、地區、地方 : N/A
Country, territory, area of
Priority Applications:

[210] 商標申請編號 : 305778505
Application No.:

[540] 商標 :
Mark:

The logo for 'Comfee' is displayed in a bold, italicized, black sans-serif font. The letter 'e' at the end of the word has a distinctive shape with a small tail.

[550] 商標種類 : 一般商標
Mark Type:
一系列商標 : 否
Series Mark:

[571] 商標描述 : 不適用
Mark Description:

[730] 註冊申請人的姓名 / 名稱、地址 : 美的集團股份有限公司
Applicant(s) ' 中國
Name, Address: 廣東省佛山市
順德區北滘鎮美的大道 6 號美的總部大樓 B 區 26-28 樓

[740/ 註冊申請人的送達地址 : 普衡知識產權代理有限公司
750] Applicant's Address for 香港
Service: 上環永樂街 72-74 號
永利大廈 9 字樓 C 室

[511] 類別編號 : 7, 9, 11, 21
Class(es) No(s) .:

[511] 貨品 / 服務說明：
Specification:

類別 7:

農業機械；電動剪毛機；擠奶機；水族池通氣泵；軋飼料機；木材加工機；造紙機；印刷機；紡織機；旋轉式脫水機（非加熱）；染色機；製茶機械；電動榨果汁機；混合機（機器）；絞肉機（機械）；攪拌機；磨粉機（機器）；奶油機；水果剝皮機；水果清洗機；製食品用電動機械；電動製飲料機；煙草加工機；製革機；縫紉機；自行車組裝機械；陶匠用旋輪；雕刻機；電池機械；製繩機；製搪瓷機械；製燈泡機械；打包機；工業用封口機；家用電動食品真空密封機；塑料封口用電動裝置（包裝用）；蜂窩煤機；廚房用電動機器；廚房用電動碾磨機；廚房用電動軋碎機；電動開罐器；非手動磨咖啡機；家用電動沖奶機；家用電動打蛋器；家用電動攪拌機；家用非手動研磨機；家用切菜機；家用切肉機；洗碗機；乾洗機；洗衣機；洗衣用乾機；製藥加工工業機器；模壓加工機器；玻璃加工機；化肥製造設備；化學工業用電動機械；採掘機；軋鋼機；石油開採、石油精煉工業用機器設備；壓路機；電梯（升降機）；電梯操作裝置；升降機（運送滑雪者上坡的裝置除外）；升降機操作裝置；裝卸設備；自動扶梯；自動人行道；金屬加工機械；鑄造機械；蒸汽機；內燃機（非陸地車輛用）；水輪機；製針機；製鈕扣機；工業機器人；自動操作機（機械手）；非手動的手持工具；電子工業設備；光學冷加工設備；氣體分離設備；塗漆機；冰箱用電動機；電梯用馬達；發電機；非陸地車輛用電動機；非陸地車輛用馬達；交流伺服電動機；空氣濾清器（引擎部件）；泵（機器、引擎或馬達部件）；冰箱壓縮機；閥（機器部件）；空調壓縮機；空氣冷凝器；氣壓缸（機器部件）；壓縮機（機器）；電動開窗器；電動開門器；機器傳動帶；軸承（機器部件）；電焊機；電動清潔機械和設備；廢棄食物處理機；高壓清洗機；家用超聲波清洗機；家用電動打蠟機；家用蒸汽清潔器；垃圾處理裝置；無繩電動掃地機；真空吸塵器；蒸汽拖把；電動擦鞋機；電控拉窗簾裝置；過濾機；電鍍機；洗鞋機；掃地機器人；拖地機器人；地面清潔機器人；洗掃拖一體機（電動清潔機械和設備）；用於家庭或商業樓宇室內保潔的自動機器。

類別 9:

便攜式計算機；觸屏筆；電子出版物（可下載）；電子錢包（可下載計算機軟件）；集成電路卡；計算機軟件（已錄製）；計算機外圍設備；交互式觸屏終端；具有人工智能的人形機器人；可下載的計算機應用軟件；可下載的手機應用軟件；平板電腦；掃描儀（數據處理設備）；數據處理設備；液晶顯示器；遠程臨場機器人；智能手錶（數據處理）；廚房用電子計時器；計時器（時間記錄裝置）；全息圖；人臉識別設備；時間記錄裝置；停車計時器；驗鈔機；複印機（照相、靜電、熱）；考勤機；帶身體質量分析儀的秤；數字稱量勺；體重秤；行李箱用便攜式數字秤；嬰兒秤；量具；數字標牌；穿戴式行動追蹤器；導航儀器；路由器；手機用自拍杆；網絡通信設備；無線電設備；智能手機；安全監控機器人；便攜式媒體播放器；穿戴式視頻顯示器；電及電子視頻監控設備；電視機；電子圖書閱讀器；耳機；錄音裝置；麥克風；頭戴式虛擬現實裝置；行車記錄儀；學習機；揚聲器；音頻視頻接收器；嬰兒監控

器；視頻投影機；照相機；測量裝置；測試食物用診斷設備；非醫用激光器；非醫用溫度計；感應器（電）；可燃氣體濃度檢測儀；空氣分析儀器；食物分析儀器；視聽教學儀器；遠程控制的遙測設備和儀器；運載工具用測速儀；運載工具用恆溫器；光學器械和儀器；USB 線；電源材料（電線、電纜）；半導體；半導體器件；觸摸屏；傳感器；電插頭；電動調節裝置；電動控制裝置；電開關；電源插座；電子芯片；光學纖維；互感器；視頻顯示屏；數字溫控器；遙控裝置；自動定時開關；避雷器；熱調節裝置；電解裝置；滅火設備；非醫用 X 光裝置；個人用防事故裝置；報警器；電鎖；電子防盜裝置；生物指紋門鎖；煙霧探測器；3D 眼鏡；太陽鏡；眼鏡；電池；電池充電器；移動電源（可充電電池）；動畫片；電柵欄；訓練動物用電子項圈；運動哨；裝飾磁鐵；電子鑰匙卡；計算機程序（可下載軟件）；監視程序（計算機程序）；具有人工智能的人形機器人；可下載的計算機應用軟件；可下載的手機應用軟件；連接器（數據處理設備）；平板電腦；鼠標墊；數據處理設備。

類別 11:

吊扇燈；非醫用固化燈；空氣淨化用殺菌燈；運載工具用照明裝置；照明設備和裝置；煤氣燈；廚房爐灶（烘箱）；電炊具；電磁爐；電動真空低溫烹調設備；電豆漿機；電飯煲；電加壓炊具；電烤盤（烹飪工具）；電力煮咖啡機；電爐灶；電暖碟器；電熱食品脫水機；電熱水壺；電蒸鍋；烘烤器具；加熱烹調器；家用烤箱；空氣炸鍋；冷熱飲料機（加熱或製冷）；奶瓶電溫熱器；奶瓶用電加熱器；烹調用裝置和設備；烹飪用電高壓鍋；烹飪用爐；食物電保溫器；水果烘烤器；微波爐（廚房用具）；灶環；製麵包機；冰櫃；冰箱；冰箱除味器；冰鎮球；車載冰箱；電酒窖；冷藏展示櫃；醫學貯存用冰箱、冷卻裝置和冰櫃；製冰機和設備；除濕器；廚房用抽油煙機；電動空間冷卻裝置（家用）；電動無葉風扇；風扇（空氣調節）；乾衣機；乾燥裝置和設備；個人用電風扇；加濕器；家用電動食品脫水器；家用電熱乾鞋器；空氣調節設備；空氣或水處理用電離設備；空氣淨化裝置和機器；空氣消毒器；食餘殘渣脫水裝置；頭髮用吹風機；碗碟烘乾機；織物蒸汽掛燙機；壁爐（家用）；工業用微波爐；供水設備；加熱裝置；熱泵；煙霧機；地漏；供暖裝置；管道（衛生設備部件）；龍頭；自動澆水裝置；電動足浴盆；淋浴熱水器；沐浴用設備；水按摩洗浴設備；水沖洗設備；衛生間用乾手器；洗滌槽；洗浴用微氣泡發生器；浴霸；浴室裝置；蒸臉器具（蒸汽浴）；蒸氣浴裝置；非個人用除臭裝置；水淨化裝置；水軟化設備和裝置；水族池過濾設備；消毒器；消毒碗櫃；飲水機；USB 供電的暖手器；電暖器；電熱服裝；非醫用電熱毯；暖足器（電或非電的）；打火機；點煤氣用摩擦點火器；氣體引燃器；聚合反應設備。

類別 21:

餐具用瀝水架；炒勺；廚房用具；刀架；調味品架；非電氣炊具；隔熱墊；家用器皿；開瓶器（電動或非電動）；麵條機（手動）；奶瓶用非電加熱器；烹飪鍋；蒜壓榨器（廚房用具）；紙或塑料杯；日用玻璃器皿（包括杯、盤、壺、缸）；日用

瓷器（包括盆、碗、盤、壺、餐具、缸、壇、罐）；日用陶器（包括盆、碗、盤、缸、壇、罐、砂鍋、壺、炆器餐具）；瓷器裝飾品；茶包托；茶壺；茶具（餐具）；茶託；茶葉罐；茶葉浸泡器；非電咖啡過濾器；非電咖啡壺；非電咖啡滲濾壺；酒具；咖啡具（餐具）；濾茶器；葡萄酒倒酒器；葡萄酒醒酒器；飲用器皿；飲用吸管；運動用飲水瓶；搓衣板；電和非電的芳香油擴香器（香薰藤條除外）；廢紙簍；個人用除臭裝置；個人用藥盒；盥洗室器具；垃圾桶；毛巾架和毛巾掛環；洗滌桶；洗衣用晾衣架；嬰兒浴盆（便攜式）；熨斗架；紙巾盒；擦洗刷；寵物祛毛梳；寵物用刷；電梳；電刷（機器部件除外）；動物用梳；動物用牙刷；清洗用刷；梳；製刷原料；電動牙刷；電動牙刷替換頭；牙及牙床清潔用吸水器；牙刷；牙刷盒；牙籤；牙籤盒；牙線；化妝用具；保溫袋；保溫瓶；茶壺保暖套；非電便攜式冷藏箱；食物保溫容器；飲料隔熱容器；家務手套；毛球去除器（電動或非電動）；抹布；清潔用布；手動清潔器具；洗碗布；未加工或半加工玻璃（建築用玻璃除外）；寵物排泄用盒（盤）；寵物排泄用盤；寵物拾便器；寵物餵食碗；寵物飲水碗；寵物用籠子；寵物用餵食器皿；寵物用自動便盆；寵物自動餵食器；寵物自動餵食碗；動物梳毛手套；家養寵物用籠子；可便攜式給寵物喂水的非機械化寵物飲水器；貓砂盆；水族池裝飾物；裝寵物零食用罐；自啟動式動物餵食器；除蚊器；驅蚊劑用插電式擴散器；蠅拍；誘殺昆蟲用電力裝置。

- [526] 卸棄：不適用
Disclaimer:
- [529] 限制：不適用
Limitation:
- [527] 條件：不適用
Condition:
其他：不適用
Others
- [220] 提交日期：21-10-2021
Date of Filing:
- [320] 聲稱具有優先權的日期：不適用
Date of Priority Claimed:
- [310] 優先權申請編號：不適用
Priority Application Number:
- [340] 聲稱具有優先權（部分）：不適用
Priority Claim Details:
- [330] 優先權申請的國家、地區、地方：不適用
Country, territory, area of Priority Applications:

- [210] 商標申請編號：305780881
Application No.:

[540] 商標 :
Mark: **SCOTCH-BRITE**

[550] 商標種類 : Ordinary
Mark Type:
一系列商標 : NO
Series Mark:

[571] 商標描述 : N/A
Mark Description:

[730] 註冊申請人的姓名 / 名稱、地址 : 3M COMPANY
Applicant(s) ' 3M CENTER, 2501 HUDSON ROAD,
Name,Address: ST. PAUL, MINNESOTA 55144,
UNITED STATES OF AMERICA

[740/ 註冊申請人的送達地址 : BAKER & MCKENZIE
750] Applicant's Address for 14TH FLOOR, ONE TAIKOO PLACE,
Service: 979 KING'S ROAD, QUARRY BAY,
HONG KONG

[511] 類別編號 : 7
Class(es) No(s) .:

[511] 貨品 / 服務說明 : Class 7:
Specification: Abrasives in the form of belts, wheels, and
discs for use on power tools.

[526] 卸棄 : N/A
Disclaimer:

[529] 限制 : N/A
Limitation:

[527] 條件 : N/A
Condition:
其他 : N/A
Others

[220] 提交日期 : 25-10-2021
Date of Filing:

[320] 聲稱具有優先權的日期 : N/A
Date of Priority Claimed:

[310] 優先權申請編號 : N/A
Priority Application Number:

[340] 聲稱具有優先權 (部分) : N/A
Priority Claim Details:

[330] 優先權申請的 : N/A
國家、地區、地方 :
Country, territory, area of
Priority Applications:

[210] 商標申請編號 : 305785462
Application No.:

- [540] 商標 : A
Mark: 
- [550] 商標種類 : Ordinary
Mark Type:
一系列商標 : YES
Series Mark:
- [571] 商標描述 : N/A
Mark Description:
- [730] 註冊申請人的姓名 / 名稱、地址 : Tsit Wing International Company Limited
Applicant(s) ' Name,Address: Vistra Corporate Services Centre
Wickhams Cay II, Road Town, Tortola, VG1110
VIRGIN ISLANDS (BRITISH)
- [740/ 註冊申請人的送達地址 : BKIP Limited
750] Applicant's Address for Service: Unit 2202, 22/F, Causeway Bay Plaza I
489 Hennessy Road, Causeway Bay
HONG KONG
- [511] 類別編號 : 7,11
Class(es) No(s) .:
- [511] 貨品 / 服務說明 :
Specification: Class 7:
Electric tea leaf grinders; electric tools for preparation of food and drink; machines, machine tools, power-operated tools; motors and engines, except for land vehicles; machine coupling and transmission components, except for land vehicles; agricultural implements, other than hand-operated hand tools; incubators for eggs; automatic vending machines.
Class 11:
Electric tea makers; tea making apparatus; apparatus and installations for lighting, heating, cooling, steam generating, cooking, drying, ventilating, water supply and sanitary purposes.
- [526] 卸棄 : N/A
Disclaimer:
- [529] 限制 : N/A
Limitation:
- [527] 條件 : N/A
Condition:
其他 : N/A
Others

[220] 提交日期 : 28-10-2021
Date of Filing:
[320] 聲稱具有優先權的日期 : N/A
Date of Priority Claimed:
[310] 優先權申請編號 : N/A
Priority Application Number:
[340] 聲稱具有優先權 (部分) : N/A
Priority Claim Details:
[330] 優先權申請的 : N/A
國家、地區、地方 :
Country, territory, area of
Priority Applications:

[210] 商標申請編號 : 305785471
Application No.:

[540] 商標 :
Mark:

茶龍

[550] 商標種類 : Ordinary
Mark Type:
一系列商標 : NO
Series Mark:

[571] 商標描述 : N/A
Mark Description:

[730] 註冊申請人的姓名 / 名稱、地址 : Tsit Wing International Company Limited
Applicant(s) ' Vistra Corporate Services Centre
Name,Address: Wickhams Cay II, Road Town, Tortola, VG1110
VIRGIN ISLANDS (BRITISH)

[740/ 註冊申請人的送達地址 : BKIP Limited
750] Applicant's Address for Unit 2202, 22/F, Causeway Bay Plaza I
Service: 489 Hennessy Road, Causeway Bay
HONG KONG

[511] 類別編號 : 7,11
Class(es) No(s) .:

[511] 貨品 / 服務說明 : Class 7:
Specification: Electric tea leaf grinders; electric tools for
preparation of food and drink; machines,
machine tools, power-operated tools; motors
and engines, except for land vehicles; machine
coupling and transmission components, except
for land vehicles; agricultural implements,
other than hand-operated hand tools;
incubators for eggs; automatic vending
machines.

Class 11:

Electric tea makers; tea making apparatus; apparatus and installations for lighting, heating, cooling, steam generating, cooking, drying, ventilating, water supply and sanitary purposes.

- [526] 卸棄: N/A
Disclaimer:
- [529] 限制: N/A
Limitation:
- [527] 條件: N/A
Condition:
其他: N/A
Others
- [220] 提交日期: 28-10-2021
Date of Filing:
- [320] 聲稱具有優先權的日期: N/A
Date of Priority Claimed:
- [310] 優先權申請編號: N/A
Priority Application Number:
- [340] 聲稱具有優先權 (部分): N/A
Priority Claim Details:
- [330] 優先權申請的
國家、地區、地方: N/A
Country, territory, area of
Priority Applications:

-
- [210] 商標申請編號: 305790862
Application No.:

- [540] 商標:
Mark:

国鸿氢能

- [550] 商標種類: 一般商標
Mark Type:
一系列商標: 否
Series Mark:
- [571] 商標描述: 不適用
Mark Description:
- [730] 註冊申請人的姓名 / 名稱、地址: 廣東國鴻氢能科技有限公司 (GuangDong Nation-Synergy
Applicant(s) ' Hydrogen Power Technology Co., LTD.)
Name, Address: 中國
廣東省雲浮市雲城區思勞鎮
佛山(雲浮)產業轉移工業園南園區 9 號

- [740/ 註冊申請人的送達地址 : 香港凱旋知識產權代理有限公司
750] Applicant's Address for 香港
Service: 九龍旺角煙廠街 9 號
興發商業大廈 7 樓 703 室
- [511] 類別編號 : 1, 7, 9, 11, 12, 35, 37
Class(es) No(s) .:
- [511] 貨品 / 服務說明 : 類別 7:
Specification: 電池機械; 上電池底機; 電池芯加工機; 蓄電池工業專用機械
; 電解水製氫氧設備; 化學工業用電動機械; 蒸汽機; 汽化器
供油裝置; 內燃機燃料轉換裝置; 水力發電設備; 電子工業設
備; 氣體分離設備; 馬達和引擎用節油器; 飛機引擎; 發電機
組; 發電機; 汽車發動機用空氣過濾器; 船用引擎; 船用馬達
; 移動式發電機; 汽車發動機廢氣再循環系統; 離心機; 自動
調節燃料泵; 汽車發動機飛輪; 燃料電池發電機; 加油站用加
氫泵; 軋線機 (電池製造機械)。
- [526] 卸棄 : 不適用
Disclaimer:
- [529] 限制 : 不適用
Limitation:
- [527] 條件 : 不適用
Condition:
其他 : 不適用
Others
- [220] 提交日期 : 03-11-2021
Date of Filing:
- [320] 聲稱具有優先權的日期 : 不適用
Date of Priority Claimed:
- [310] 優先權申請編號 : 不適用
Priority Application Number:
- [340] 聲稱具有優先權 (部分) : 不適用
Priority Claim Details:
- [330] 優先權申請的 不適用
國家、地區、地方 :
Country, territory, area of
Priority Applications:
-
-

- [210] 商標申請編號 : 305791131
Application No.:

[540] 商標：
Mark:

A



B



- [550] 商標種類：一般商標
Mark Type:
一系列商標：是
Series Mark:
- [571] 商標描述：不適用
Mark Description:
- [730] 註冊申請人的姓名 / 名稱、地址：廣東國鴻氫能科技有限公司 (GuangDong Nation-Synergy Hydrogen Power Technology Co., LTD.)
Applicant(s) ' Name,Address: 中國
廣東省雲浮市雲城區思勞鎮
佛山(雲浮)產業轉移工業園南園區 9 號
- [740/ 註冊申請人的送達地址：香港凱旋知識產權代理有限公司
750] Applicant's Address for Service: 香港
九龍旺角煙廠街 9 號
興發商業大廈 7 樓 703 室
- [511] 類別編號：1, 7, 9, 11, 12, 35, 37
Class(es) No(s) .:
- [511] 貨品 / 服務說明：類別 7:
Specification: 電池機械；上電池底機；電池芯加工機；蓄電池工業專用機械；電解水製氫氧設備；化學工業用電動機械；蒸汽機；汽化器供油裝置；內燃機燃料轉換裝置；水力發電設備；電子工業設備；氣體分離設備；馬達和引擎用節油器；飛機引擎；發電機組；發電機；汽車發動機用空氣過濾器；船用引擎；船用馬達；移動式發電機；汽車發動機廢氣再循環系統；離心機；自動調節燃料泵；汽車發動機飛輪；燃料電池發電機；加油站用加氫泵；軋線機（電池製造機械）。
- [526] 卸棄：不適用
Disclaimer:

[529] 限制 : 不適用
Limitation:

[527] 條件 : 不適用
Condition:
其他 : 不適用
Others

[220] 提交日期 : 03-11-2021
Date of Filing:

[320] 聲稱具有優先權的日期 : 不適用
Date of Priority Claimed:

[310] 優先權申請編號 : 不適用
Priority Application Number:

[340] 聲稱具有優先權 (部分) : 不適用
Priority Claim Details:

[330] 優先權申請的
國家、地區、地方 : 不適用
Country, territory, area of
Priority Applications:

[210] 商標申請編號 : 305791140
Application No.:

[540] 商標 : A
Mark:



国鸿氢能

B



国鸿氢能

[550] 商標種類 : 一般商標
Mark Type:
一系列商標 : 是
Series Mark:

- [571] 商標描述 : 不適用
Mark Description:
- [730] 註冊申請人的姓名 / 名稱、地址 : 廣東國鴻氫能科技有限公司 (GuangDong Nation-Synergy
Applicant(s) ' Hydrogen Power Technology Co., LTD.)
Name,Address: 中國
廣東省雲浮市雲城區思勞鎮
佛山(雲浮)產業轉移工業園南園區 9 號
- [740/ 註冊申請人的送達地址 : 香港凱旋知識產權代理有限公司
750] Applicant's Address for 香港
Service: 九龍旺角煙廠街 9 號
興發商業大廈 7 樓 703 室
- [511] 類別編號 : 1, 7, 9, 11, 12, 35, 37
Class(es) No(s) .:
- [511] 貨品 / 服務說明 : 類別 7:
Specification: 電池機械; 上電池底機; 電池芯加工機; 蓄電池工業專用機械
; 電解水製氫氧設備; 化學工業用電動機械; 蒸汽機; 汽化器
供油裝置; 內燃機燃料轉換裝置; 水力發電設備; 電子工業設
備; 氣體分離設備; 馬達和引擎用節油器; 飛機引擎; 發電機
組; 發電機; 汽車發動機用空氣過濾器; 船用引擎; 船用馬達
; 移動式發電機; 汽車發動機廢氣再循環系統; 離心機; 自動
調節燃料泵; 汽車發動機飛輪; 燃料電池發電機; 加油站用加
氫泵; 軋線機 (電池製造機械)。
- [526] 卸棄 : 不適用
Disclaimer:
- [529] 限制 : 不適用
Limitation:
- [527] 條件 : 不適用
Condition:
其他 : 不適用
Others
- [220] 提交日期 : 03-11-2021
Date of Filing:
- [320] 聲稱具有優先權的日期 : 不適用
Date of Priority Claimed:
- [310] 優先權申請編號 : 不適用
Priority Application Number:
- [340] 聲稱具有優先權 (部分) : 不適用
Priority Claim Details:
- [330] 優先權申請的 不適用
國家、地區、地方 :
Country, territory, area of
Priority Applications:
-
-

- [210] 商標申請編號 : 305791168
Application No.:

[540] 商標：
Mark:

A



B



- [550] 商標種類：
Mark Type: 一般商標
一系列商標：
Series Mark: 是
- [571] 商標描述：
Mark Description: 不適用
- [730] 註冊申請人的姓名 / 名稱、地址：
Applicant(s)' Name, Address: 廣東國鴻氫能科技有限公司 (GuangDong Nation-Synergy Hydrogen Power Technology Co., LTD.)
中國
廣東省雲浮市雲城區思勞鎮
佛山(雲浮)產業轉移工業園南園區 9 號
- [740/ 註冊申請人的送達地址：
750] Applicant's Address for Service: 香港凱旋知識產權代理有限公司
香港
九龍旺角煙廠街 9 號
興發商業大廈 7 樓 703 室
- [511] 類別編號：
Class(es) No(s) .: 1, 7, 9, 11, 12, 35, 37
- [511] 貨品 / 服務說明：
Specification: 類別 7:
電池機械；上電池底機；電池芯加工機；蓄電池工業專用機械；電解水製氫氧設備；化學工業用電動機械；蒸汽機；汽化器供油裝置；內燃機燃料轉換裝置；水力發電設備；電子工業設備；氣體分離設備；馬達和引擎用節油器；飛機引擎；發電機組；發電機；汽車發動機用空氣過濾器；船用引擎；船用馬達；移動式發電機；汽車發動機廢氣再循環系統；離心機；自動調節燃料泵；汽車發動機飛輪；燃料電池發電機；加油站用加氫泵；軋線機（電池製造機械）。
- [526] 卸棄：
Disclaimer: 不適用

- [529] 限制 : 不適用
Limitation:
- [527] 條件 : 不適用
Condition:
其他 : 不適用
Others
- [220] 提交日期 : 03-11-2021
Date of Filing:
- [320] 聲稱具有優先權的日期 : 不適用
Date of Priority Claimed:
- [310] 優先權申請編號 : 不適用
Priority Application Number:
- [340] 聲稱具有優先權 (部分) : 不適用
Priority Claim Details:
- [330] 優先權申請的
國家、地區、地方 : 不適用
Country, territory, area of
Priority Applications:

-
- [210] 商標申請編號 : 305791177
Application No.:
- [540] 商標 : A
Mark:



国鸿氢能

B



- [550] 商標種類 : 一般商標
Mark Type:
一系列商標 : 是
Series Mark:
- [571] 商標描述 : 不適用
Mark Description:

- [730] 註冊申請人的姓名 / 名稱、地址 : 廣東國鴻氫能科技有限公司 (GuangDong Nation-Synergy Hydrogen Power Technology Co., LTD.)
Applicant(s)' Name, Address: 中國
廣東省雲浮市雲城區思勞鎮
佛山(雲浮)產業轉移工業園南園區 9 號
- [740/ 註冊申請人的送達地址 : 香港凱旋知識產權代理有限公司
750] Applicant's Address for Service: 香港
九龍旺角煙廠街 9 號
興發商業大廈 7 樓 703 室
- [511] 類別編號 : 1, 7, 9, 11, 12, 35, 37
Class(es) No(s) .:
- [511] 貨品 / 服務說明 : 類別 7:
Specification: 電池機械; 上電池底機; 電池芯加工機; 蓄電池工業專用機械
; 電解水製氫氧設備; 化學工業用電動機械; 蒸汽機; 汽化器
供油裝置; 內燃機燃料轉換裝置; 水力發電設備; 電子工業設
備; 氣體分離設備; 馬達和引擎用節油器; 飛機引擎; 發電機
組; 發電機; 汽車發動機用空氣過濾器; 船用引擎; 船用馬達
; 移動式發電機; 汽車發動機廢氣再循環系統; 離心機; 自動
調節燃料泵; 汽車發動機飛輪; 燃料電池發電機; 加油站用加
氫泵; 軋線機 (電池製造機械)。
- [526] 卸棄 : 不適用
Disclaimer:
- [529] 限制 : 不適用
Limitation:
- [527] 條件 : 不適用
Condition:
其他 : 不適用
Others
- [220] 提交日期 : 03-11-2021
Date of Filing:
- [320] 聲稱具有優先權的日期 : 不適用
Date of Priority Claimed:
- [310] 優先權申請編號 : 不適用
Priority Application Number:
- [340] 聲稱具有優先權 (部分) : 不適用
Priority Claim Details:
- [330] 優先權申請的 不適用
國家、地區、地方 :
Country, territory, area of
Priority Applications:
-
- [210] 商標申請編號 : 305796604
Application No.:

[540] 商標 :	
Mark:	<h1>Taifen</h1>
[550] 商標種類 :	一般商標
Mark Type:	
一系列商標 :	否
Series Mark:	
[571] 商標描述 :	不適用
Mark Description:	
[730] 註冊申請人的姓名 / 名稱、地址 :	北京石頭世紀科技股份有限公司
Applicant(s) 'Name, Address:	中國 北京市海澱區 黑泉路 8 號 1 幢康健寶盛廣場 C 座六層 6016、6017、6018 號
[740/ 註冊申請人的送達地址 :	誠通專利商標 (香港) 有限公司
750] Applicant's Address for Service:	香港 灣仔港灣道 1 號 會展廣場辦公大樓 34 樓 09 室
[511] 類別編號 :	7
Class(es) No(s) .:	
[511] 貨品 / 服務說明 :	類別 7:
Specification:	清潔用吸塵裝置; 清潔用除塵裝置; 清洗設備; 電動清潔機械和設備; 真空吸塵器; 自推進式掃路機; 蒸汽清潔器械; 中心真空吸塵裝置; 充電式掃地機; 手持式真空吸塵器。
[526] 卸棄 :	不適用
Disclaimer:	
[529] 限制 :	不適用
Limitation:	
[527] 條件 :	不適用
Condition:	
其他 :	不適用
Others	
[220] 提交日期 :	09-11-2021
Date of Filing:	
[320] 聲稱具有優先權的日期 :	不適用
Date of Priority Claimed:	
[310] 優先權申請編號 :	不適用
Priority Application Number:	
[340] 聲稱具有優先權 (部分) :	不適用
Priority Claim Details:	
[330] 優先權申請的	不適用
國家、地區、地方 :	
Country, territory, area of Priority Applications:	

[210] 商標申請編號 : 305800527
Application No.:

[540] 商標 :
Mark:



[550] 商標種類 : Ordinary
Mark Type:
一系列商標 : NO
Series Mark:

[571] 商標描述 : N/A
Mark Description:

[730] 註冊申請人的姓名 / 名稱、地址 : ANTARES VISION S.P.A.
Applicant(s) ' VIA DEL FERRO 16
Name,Address: 25039 TRAVAGLIATO (BRESCIA)
ITALY

[740/ 註冊申請人的送達地址 : DEACONS
750] Applicant's Address for 5th Floor,
Service: Alexandra House Central
HONG KONG

[511] 類別編號 : 7, 9, 42
Class(es) No(s) .:

[511] 貨品 / 服務說明 : Class 7:
Specification: Labellers [machines]; Industrial inkjet
printing machines; Packing machines; Sorting
machines for industry; Printing machines;
Industrial robots; 3D printers; Packing
machines; Control instruments for wrapping and
packaging machines; Product quality
verification and control machines, product
tracking machines, Machines for filling.
Class 9:
Scientific, research, photographic,
audiovisual, optical, weighing, measuring,
signalling, detecting, testing, inspecting
apparatus and instruments; Safety, security,
protection and signalling devices; Apparatus
and instruments for recording, transmitting,
processing or reproducing sound, data or
images; Recorded and downloadable media,
computer software, blank digital or analogue
recording and storage media; Calculators;
Computers and computer peripheral devices;

Magnetic resonance imaging [MRI] apparatus, not for medical purposes; Intercommunication apparatus; Precision measuring apparatus; Apparatus and installations for the production of X-rays, not for medical purposes; Regulating apparatus, electric; Testing apparatus not for medical purposes; Data processing apparatus; X-ray apparatus not for medical purposes; Computer software applications, downloadable; Magnetic encoders; Computer hardware; Light-emitting diodes [LED]; Quantum dot light-emitting diodes [QLED]; Organic light-emitting diodes [OLED]; Electronic numeric displays; Security tokens [encryption devices]; Electronic tags for goods; Quantity indicators; Pressure indicators; Temperature indicators; Speed indicators; Circuit closers; Optical lanterns; Optical lenses; Bar code readers; Optical readers; Microscopes; Monitors [computer hardware]; Objectives [lenses] [optics]; Computer software platforms, recorded or downloadable; Computer programs, downloadable; Electronic publications, downloadable; Light-emitting electronic pointers; Light dimmers [regulators], electric; Audio- and video-receivers; Laboratory robots; Radiology screens for industrial purposes; Computer software, recorded; Probes for scientific purposes; Mirrors [optics]; Spectrograph apparatus; Spectroscopes; Printers for use with computers; Observation instruments; Material testing instruments and machines; Interactive touch screen terminals; Thermal imaging cameras; X-ray tubes not for medical purposes; Processors [central processing units]; Computer peripheral devices; Camcorders; Product tracking and identification apparatus, instruments and software; Code application and encoding technology devices; Identification and authentication instruments and devices; Product and packaging verification apparatus and instruments; Computers and computer software for data collection, transmission, archiving, management and processing; Computers and computer peripheral devices for diagnostics; Peripherals adapted for use with computers and other smart devices; Artificial intelligence apparatus, Artificial intelligence tools; downloadable computer software for remote monitoring and analysis; Apparatus and instruments for production line verification, inspection and monitoring; Industrial machine viewing apparatus and systems and components and fittings therefor;

Inspection systems; Leak testing machines and instruments, Apparatus for testing seals; Production process control, optimisation and management software; Supply chain, logistics and store management software; Computer software for automating and managing business procedures; Metal detectors.

Class 42:

Scientific and technological services and research and design relating thereto; Industrial analysis, of industrial research and of industrial design; Quality control and authentication services; Design and development of computer hardware and software; Updating of computer software; Computer system analysis; Electronic data storage; Cloud computing; Material testing; Conducting technical project studies; Computer software consultancy; Quality control; Conversion of computer programs and data, other than physical conversion; Computer software design; Engineering services; Installation of computer software; Rental of computer software; Maintenance of computer software; Monitoring of computer systems to detect breakdowns; Monitoring of computer systems by remote access; Design of information systems; Computer programming; Clinical trials; Scientific research; Technical research; Off-site data backup; Computer technology consultancy; Data security consultancy; Information technology [IT] consultancy; Consultancy in the design and development of computer hardware; Technological consultancy; Scientific laboratory services; Outsourced IT services; Development of computer platforms; Calibration [measuring]; Scientific and technological services and research and design relating to product identification and authentication, code application and encoding technology, product and packaging verification, computers and computer software for data collection, transmission, archiving, management and processing, computers and computer peripheral devices for diagnostics; Scientific and technological services and research and design relating to artificial intelligence apparatus and instruments, remote monitoring and analysis, apparatus and instruments for production line verification, inspection and monitoring, inspection and artificial intelligence systems.

[526] 卸棄:

N/A

Disclaimer:

[529] 限制:

N/A

Limitation:

[527] 條件 : N/A
 Condition:
 其他 : N/A
 Others

[220] 提交日期 : 12-11-2021
 Date of Filing:

[320] 聲稱具有優先權的日期 : 13-05-2021
 Date of Priority Claimed:

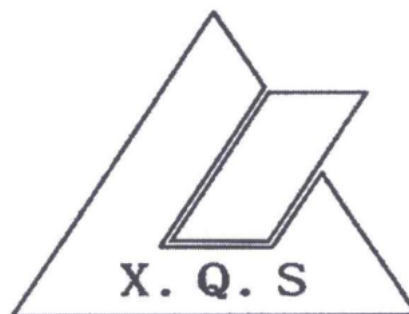
[310] 優先權申請編號 : 302021000090413
 Priority Application Number:

[340] 聲稱具有優先權 (部分) : N/A
 Priority Claim Details:

[330] 優先權申請的
 國家、地區、地方 : ITALY
 Country, territory, area of
 Priority Applications:

[210] 商標申請編號 : 305815233
 Application No.:

[540] 商標 :
 Mark:



[550] 商標種類 : 一般商標
 Mark Type:

一系列商標 : 否
 Series Mark:

[571] 商標描述 : 不適用
 Mark Description:

[730] 註冊申請人的姓名 / 名稱、地址 : 南通順仕特精密科技有限公司
 Applicant(s) ' 中國
 Name, Address: 江蘇省南通市

[740/ 註冊申請人的送達地址 : Hong Kong Zhiwang Intellectual Property
 750] Applicant's Address for Service Co., Limited.
 RM18, 27/F, Ho King Comm CTR,
 2-16 Fayuen ST, Mongkok Kowloon,
 HONG KONG

[511] 類別編號 : 6, 7, 35
 Class(es) No(s) .:

[511] 貨品 / 服務說明 : Specification:	類別 7: 衝壓機; 冷沖模; 切削工具和金屬加工機械; 壓鑄模; 電焊設備; 磨床; 精加工機器; 金屬加工機械; 銑床; 鑄造機械
[526] 卸棄 : Disclaimer:	不適用
[529] 限制 : Limitation:	不適用
[527] 條件 : Condition: 其他 : Others	不適用
[220] 提交日期 : Date of Filing:	27-11-2021
[320] 聲稱具有優先權的日期 : Date of Priority Claimed:	不適用
[310] 優先權申請編號 : Priority Application Number:	不適用
[340] 聲稱具有優先權 (部分) : Priority Claim Details:	不適用
[330] 優先權申請的 國家、地區、地方 : Country, territory, area of Priority Applications:	不適用

[210] 商標申請編號 : Application No.:	305815242
[540] 商標 : Mark:	

圣都

[550] 商標種類 : Mark Type: 一系列商標 : Series Mark:	一般商標 否
[571] 商標描述 : Mark Description:	不適用
[730] 註冊申請人的姓名 / 名稱、地址 : Applicant (s) ' Name, Address:	南通順仕特精密科技有限公司 中國

江蘇省南通市
開發區新興東路 22 號廠區 7 號廠房

- [740/ 註冊申請人的送達地址 :
750] Applicant's Address for
Service: Hong Kong Zhiwang Intellectual Property
Service Co., Limited.
RM18, 27/F, Ho King Comm CTR,
2-16 Fayuen ST, Mongkok Kowloon,
HONG KONG
6,7,35
- [511] 類別編號 :
Class(es) No(s) .: 類別 7:
衝壓機; 冷沖模; 切削工具和金屬加工機械; 壓鑄模; 電焊
設備; 磨床; 精加工機器; 金屬加工機械; 銑床; 鑄造機械
- [511] 貨品 / 服務說明 :
Specification:
- [526] 卸棄 : 不適用
Disclaimer:
- [529] 限制 : 不適用
Limitation:
- [527] 條件 : 不適用
Condition:
其他 : 不適用
Others
- [220] 提交日期 : 27-11-2021
Date of Filing:
- [320] 聲稱具有優先權的日期 : 不適用
Date of Priority Claimed:
- [310] 優先權申請編號 : 不適用
Priority Application Number:
- [340] 聲稱具有優先權 (部分) : 不適用
Priority Claim Details:
- [330] 優先權申請的
國家、地區、地方 : 不適用
Country, territory, area of
Priority Applications:
-
-

[210] 商標申請編號 : 305816890
Application No.:

[540] 商標 :
Mark:

Ausea

[550] 商標種類 : 一般商標
Mark Type:
一系列商標 : 否
Series Mark:

[571] 商標描述 : 不適用
Mark Description:

- [730] 註冊申請人的姓名 / 名稱、地址 : 馳為創新科技(深圳)有限公司
Applicant(s)' Name, Address: 中國
深圳市龍華新區
龍華街道工業東路利金城科技工業園 3#廠房二樓
- [740/ 註冊申請人的送達地址 : 港智國際知識產權代理有限公司
750] Applicant's Address for Service: 香港
上環德輔道中 272-284 號
興業商業中心 5 樓 505 室
- [511] 類別編號 : 7
Class(es) No(s) .:
- [511] 貨品 / 服務說明 : 類別 7:
Specification: 清洗設備; 電動清潔機械和設備; 蒸汽清潔器械; 真空吸塵器
; 清潔用吸塵裝置; 廚房用電動機器; 洗衣機; 製食品用電動
機械; 非手動磨咖啡機; 垃圾處理裝置。
- [526] 卸棄 : 不適用
Disclaimer:
- [529] 限制 : 不適用
Limitation:
- [527] 條件 : 不適用
Condition:
其他 : 不適用
Others
- [220] 提交日期 : 30-11-2021
Date of Filing:
- [320] 聲稱具有優先權的日期 : 不適用
Date of Priority Claimed:
- [310] 優先權申請編號 : 不適用
Priority Application Number:
- [340] 聲稱具有優先權 (部分) : 不適用
Priority Claim Details:
- [330] 優先權申請的 不適用
國家、地區、地方 :
Country, territory, area of
Priority Applications:

-
- [210] 商標申請編號 : 305816908
Application No.:

- [540] 商標 :
Mark:

The logo for 'Dysea' is displayed in a large, bold, black, sans-serif font. The letters are thick and closely spaced, with a modern, clean aesthetic.

- [550] 商標種類 : 一般商標
Mark Type:
一系列商標 : 否
Series Mark:

- [571] 商標描述 : 不適用
Mark Description:
- [730] 註冊申請人的姓名 / 名稱、地址 : 馳為創新科技(深圳)有限公司
Applicant(s) ' 中國
Name, Address: 深圳市龍華新區
龍華街道工業東路利金城科技工業園 3#廠房二樓
- [740/ 註冊申請人的送達地址 : 港智國際知識產權代理有限公司
750] Applicant's Address for 香港
Service: 上環德輔道中 272-284 號
興業商業中心 5 樓 505 室
- [511] 類別編號 : 7
Class(es) No(s) .:
- [511] 貨品 / 服務說明 : 類別 7:
Specification: 清洗設備; 電動清潔機械和設備; 蒸汽清潔器械; 真空吸塵器
; 清潔用吸塵裝置; 廚房用電動機器; 洗衣機; 製食品用電動
機械; 非手動磨咖啡機; 垃圾處理裝置。
- [526] 卸棄 : 不適用
Disclaimer:
- [529] 限制 : 不適用
Limitation:
- [527] 條件 : 不適用
Condition:
其他 : 不適用
Others
- [220] 提交日期 : 30-11-2021
Date of Filing:
- [320] 聲稱具有優先權的日期 : 不適用
Date of Priority Claimed:
- [310] 優先權申請編號 : 不適用
Priority Application Number:
- [340] 聲稱具有優先權 (部分) : 不適用
Priority Claim Details:
- [330] 優先權申請的 不適用
國家、地區、地方 :
Country, territory, area of
Priority Applications:
-
-

類別 Class 8

- [210] 商標申請編號 : 304781818AA
Application No.:
- [540] 商標 :
Mark:
- YETI**
- [550] 商標種類 : Ordinary
Mark Type:
一系列商標 : NO
Series Mark:
- [571] 商標描述 : N/A
Mark Description:
- [730] 註冊申請人的姓名 / 名稱、地址 : YETI Coolers, LLC
Applicant(s) ' 7601 Southwest Pkwy
Name,Address: Austin, Texas 78735,
UNITED STATES
- [740/ 註冊申請人的送達地址 : Wisely & Mansion Intellectual Property (Hong
750] Applicant's Address for Kong) Limited
Service: Unit 12, 21/F., Wayson Commercial Building,
No. 28, Connaught Road West, Sheung Wan,
HONG KONG
- [511] 類別編號 : 8
Class(es) No(s) .:
- [511] 貨品 / 服務說明 : Class 8:
Specification: Utensils for barbecues, namely forks, tongs;
kitchenware, namely, spoons, forks, knives.
- [526] 卸棄 : N/A
Disclaimer:
- [529] 限制 : N/A
Limitation:
- [527] 條件 : N/A
Condition:
其他 : N/A
Others
- [220] 提交日期 : 24-12-2018
Date of Filing:
- [320] 聲稱具有優先權的日期 : N/A
Date of Priority Claimed:
- [310] 優先權申請編號 : N/A
Priority Application Number:
- [340] 聲稱具有優先權 (部分) : N/A
Priority Claim Details:
- [330] 優先權申請的 : N/A
國家、地區、地方 :

Country, territory, area of
Priority Applications:

[210] 商標申請編號 : 305787569
Application No.:

[540] 商標 :
Mark:



[550] 商標種類 : Ordinary
Mark Type:
一系列商標 : NO
Series Mark:

[571] 商標描述 : N/A
Mark Description:

[730] 註冊申請人的姓名 / 名稱、地址 :
Applicant(s) ' Name,Address: HOMEKITCHEN F&B LIMITED
FLAT G, 11/F, BLOCK 3, CAMEL PAINT BUILDING,
60 HOI YUEN ROAD, KWUN TONG, KOWLOON
HONG KONG

[740/ 註冊申請人的送達地址 :
750] Applicant's Address for Service: HOMEKITCHEN F&B LIMITED
FLAT G, 11/F, BLOCK 3, CAMEL PAINT BUILDING,
60 HOI YUEN ROAD, KWUN TONG, KOWLOON
HONG KONG

[511] 類別編號 : 8,29,30,32,43
Class(es) No(s) .:

[511] 貨品 / 服務說明 :
Specification: Class 8:
Hand tools and implements, hand-operated;
cutlery; side arms, except firearms;
razors.
Class 29:
Meat, fish, poultry and game; meat extracts;
preserved, frozen, dried and cooked
fruits and vegetables; jellies, jams,
compotes; eggs; milk, cheese, butter, yogurt
and other milk products; oils and fats for
food.
Class 30:
Coffee, tea, cocoa and artificial coffee;

rice, pasta and noodles; tapioca and sago; flour and preparations made from cereals; bread, pastries and confectionery; chocolate; ice cream, sorbets and other edible ices; sugar, honey, treacle; yeast, baking-powder; salt, seasonings, spices, preserved herbs; vinegar, sauces and other condiments; ice (frozen water).

Class 32:

Beers; non-alcoholic beverages; mineral and aerated waters; fruit beverages and fruit juices; syrups and other non-alcoholic preparations for making beverages.

Class 43:

Food and drink catering; catering; cafeteria services; information and advice in relation to the preparation of meals; restaurant services; arranging for the provision of food and drink; banqueting and catering services; food and beverage services for dine-in, takeaway and home delivery; food and beverage preparation; consultation, information and advisory services relating to preparation and provision of food and beverages; providing information relating to catering services and preparation of food and beverages on-line from a computer database or via the Internet.

- [526] 卸棄 : N/A
Disclaimer:
- [529] 限制 : N/A
Limitation:
- [527] 條件 : N/A
Condition:
其他 : N/A
Others
- [220] 提交日期 : 01-11-2021
Date of Filing:
- [320] 聲稱具有優先權的日期 : N/A
Date of Priority Claimed:
- [310] 優先權申請編號 : N/A
Priority Application Number:
- [340] 聲稱具有優先權 (部分) : N/A
Priority Claim Details:
- [330] 優先權申請的 : N/A
國家、地區、地方 :
Country, territory, area of
Priority Applications:

[210] 商標申請編號 : 305793409

Application No.:

[540] 商標:

Mark:

SKINLED

[550] 商標種類:

Ordinary

Mark Type:

一系列商標:

NO

Series Mark:

[571] 商標描述:

N/A

Mark Description:

[730] 註冊申請人的姓名 / 名稱、地址:

Koninklijke Philips N.V.

Applicant(s)'

High Tech Campus 52,

Name,Address:

5656 AG EINDHOVEN,

NETHERLANDS

[740/ 註冊申請人的送達地址:

Rouse & Co. International (Overseas) Limited

750] Applicant's Address for

26/F., Tesbury Centre,

Service:

28 Queen's Road East

HONG KONG

[511] 類別編號:

8

Class(es) No(s) .:

[511] 貨品 / 服務說明:

Class 8:

Specification:

Razors; electric shavers; shavers; battery powered shavers and beard trimmers; hair trimmers; beard trimmers; apparatus for shaving and trimming body hair; nose and ear trimmers; epilators; blades and shaving foils for electric shavers; hair clippers; cleaning devices for shavers, hair trimmers, hair clippers and beard trimmers; replacement heads for shavers, hair trimmers, hair clippers and beard trimmers; electric and non-electric depilation devices; hair removal devices for in-home use; case and holders for the aforesaid goods; parts and fittings for the aforesaid goods.

[526] 卸棄:

N/A

Disclaimer:

[529] 限制:

N/A

Limitation:

[527] 條件:

N/A

Condition:

其他:

N/A

Others

[220] 提交日期:

05-11-2021

Date of Filing:

[320] 聲稱具有優先權的日期:

14-05-2021

Date of Priority Claimed:

[310] 優先權申請編號:

1442784

Priority Application Number:

[340] 聲稱具有優先權 (部分):

N/A

Priority Claim Details:

[330] 優先權申請的 BENELUX
國家、地區、地方：
Country, territory, area of
Priority Applications:

[210] 商標申請編號： 305800798
Application No.:

[540] 商標：
Mark:

GEMO

[550] 商標種類： 一般商標
Mark Type:
一系列商標： 否
Series Mark:

[571] 商標描述： 不適用
Mark Description:

[730] 註冊申請人的姓名 / 名稱、地址： 杭州氫氧電子商務有限公司
Applicant(s) ' 中國
Name, Address: 浙江省杭州市
濱江區長河街道江虹路 735 號 4 幢四層 406 室

[740/ 註冊申請人的送達地址：
750] Applicant's Address for 滙誠知識產權有限公司
Service: 香港
灣仔軒尼詩道 8-12 號
中港大廈 8 樓

[511] 類別編號： 3, 5, 8, 9, 10
Class(es) No(s) .:

[511] 貨品 / 服務說明： 類別 8：
Specification: 電動和非電動脫毛器；理髮工具；個人用理髮推子（電動和非
電動）；電動編發器；修指甲成套工具；燙髮用鐵夾；去毛器
具；非醫用激光脫毛裝置；卷髮用手工具；剃鬚刀；指甲拋光
器具（電動或非電動）；去死皮鉗；成套修腳器具；卷睫毛夾
；指甲銼；拔毛髮用鑷子；紋身針；燙髮鉗；指甲刀（電動或
非電動）；非電動刮鬚刀

[526] 卸棄: 不適用
Disclaimer:

[529] 限制: 不適用
Limitation:

[527] 條件: 不適用
Condition:
其他: 不適用
Others

[220] 提交日期: 12-11-2021
Date of Filing:

[320] 聲稱具有優先權的日期: 不適用
Date of Priority Claimed:

[310] 優先權申請編號: 不適用
Priority Application Number:

[340] 聲稱具有優先權 (部分): 不適用
Priority Claim Details:

[330] 優先權申請的
國家、地區、地方: 不適用
Country, territory, area of
Priority Applications:

[210] 商標申請編號: 305806990
Application No.:

[540] 商標:
Mark:

agete

[550] 商標種類: Ordinary
Mark Type:

一系列商標: NO

Series Mark:

[571] 商標描述: N/A
Mark Description:

[730] 註冊申請人的姓名 / 名稱、地址: Kabushiki Kaisha SAZABY LEAGUE (SAZABY LEAGUE,
Applicant(s) ' Ltd.)

Name, Address: No. 49-13, Motoyoyogi-cho,
Shibuya-ku, Tokyo,
JAPAN

[740/ 註冊申請人的送達地址: SPRUSON & FERGUSON (HONG KONG) LIMITED

750] Applicant's Address for 5001 Hopewell Centre
Service: 183 Queen's Road East, Wan Chai
HONG KONG

[511] 類別編號: 8, 9, 14, 16, 18, 21, 24, 25, 35

Class(es) No(s) .:

[511] 貨品 / 服務說明：
Specification:

Class 8:

Hand tools and implements (hand-operated);
cutlery; side arms; razors.

Class 9:

Ear plugs for divers; calculating machines;
cameras [photography]; measuring spoons;
scales; temperature indicators; solar
batteries; portable media players; portable
telephones; disks, magnetic; electronic
agendas; computers; mouse pads; hourglasses;
eyeglasses; sunglasses; compact discs [audio-
video]; downloadable image files; phonograph
records; electronic publications,
downloadable; scientific, nautical, surveying,
photographic, cinematographic, optical,
weighing, measuring, signalling, checking
(supervision), life-saving and teaching
apparatus and instruments; apparatus and
instruments for conducting, switching,
transforming, accumulating, regulating or
controlling electricity; apparatus for
recording, transmission or reproduction of
sound or images; magnetic data carriers,
recording discs; mechanisms for coin-operated
apparatus; cash registers, data processing
equipment; fire-extinguishing apparatus;
spectacle glasses; spectacles (optics);
spectacle cases; spectacle frames; electrical
communication apparatus and instruments for
cell phones.

Class 14:

Precious stones; jewelry cases [caskets];
coins; ornaments [jewellery, jewelry (Am.)];
cuff links; shoe ornaments of precious metal;
clocks; wristwatches; straps for wristwatches;
watch chains; watches; precious metals and
their alloys and goods in precious metals or
coated therewith, not included in other
classes; horological and chronometric
instruments.

Class 16:

Paper, cardboard and goods made from these
materials, not included in other classes;
printed matter; bookbinding material;
photographs; stationery; adhesives for
stationery or household purposes; artists'
materials; paint brushes; typewriters and
office requisites (except furniture);
instructional and teaching material (except
apparatus); plastic materials for packaging
(not included in other classes); printers'
type; printing blocks; money clips.

Class 18:

Handbag frames; slings for carrying infants;
leather straps; envelopes, of leather, for
packaging; clothing for pets; collars for

animals; attache cases; bags; card cases [notecases]; key cases; purses; vanity cases, not fitted; umbrellas; canes; mountaineering sticks; leather and imitations of leather, and goods made of these materials and not included in other classes; animal skins, hides; trunks and travelling bags; parasols and walking sticks; whips, harness and saddlery.

Class 21:

Household or kitchen utensils and containers; combs and sponges; brushes (except paint brushes); brush-making materials; articles for cleaning purposes; steelwool; unworked or semi-worked glass (except glass used in building); glassware, porcelain and earthenware not included in other classes.

Class 24:

Textiles and textile goods, not included in other classes; bed and table covers.

Class 25:

Clothing; layettes [clothing]; bath robes; bathing suits; underclothing; tights; aprons [clothing]; bandanas [neckerchiefs]; collar protectors; ear muffs [clothing]; gloves [clothing]; sleep masks; shawls; caps [headwear]; headgear for wear; belts [clothing]; shoes; slippers; masquerade costumes; cyclists' clothing; footwear.

Class 35:

Advertising; dissemination of advertising matter; outdoor advertising; distribution of samples; presentation of goods on communication media, for retail purposes; professional business consultancy; retail or wholesale services for eyeglasses; retail or wholesale services for electrical communication machines and instruments; retail or wholesale services for compact discs [audio-video]; retail or wholesale services for accessories (personal articles); retail or wholesale services for bags and pouches; retail store services; business management; business administration; office functions; business consultancy services, business information services; franchising services relating to group advertising, and group purchasing; franchising consultancy and business support services; business consultancy services relating to the service of rendering to others technical assistance in the management, establishment, design, construction, equipping and operation of retail stores; retailing and wholesaling services relating to hand tools and implements (hand-operated), cutlery, side arms, razors, scientific, nautical, surveying, photographic,

cinematographic, optical, weighing, measuring, signalling, checking (supervision), life-saving and teaching apparatus and instruments, apparatus and instruments for conducting, switching, transforming, accumulating, regulating or controlling electricity, apparatus for recording, transmission or reproduction of sound or images, magnetic data carriers, recording discs, automatic vending machines and mechanisms for coin-operated apparatus, cash registers, calculating machines, data processing equipment and computers, fire-extinguishing apparatus, precious metals and their alloys and goods in precious metals or coated therewith, jewellery, precious stones, horological and chronometric instruments, jewellery cases (caskets), paper, cardboard and goods made from these materials, printed matter, bookbinding material, photographs, stationery, adhesives for stationery or household purposes, artists' materials, paint brushes, typewriters and office requisites (except furniture), instructional and teaching material (except apparatus), plastic materials for packaging, printers' type, printing blocks, money clips, leather and imitations of leather, and goods made of these materials, animal skins, hides, trunks and travelling bags, umbrellas, parasols and walking sticks, whips, harness and saddlery, household or kitchen utensils and containers, combs and sponges, brushes (except paint brushes), brush-making materials, articles for cleaning purposes, steelwool, unworked or semi-worked glass (except glass used in building), glassware, porcelain and earthenware not included in other classes, textiles and textile goods, bed and table covers, clothing, footwear, headgear; including presentation and display for sale of the aforementioned goods and provision of procurement advice to purchasers; retailing through franchising operations in retail stores.

- [526] 卸棄 : N/A
Disclaimer:
- [529] 限制 : N/A
Limitation:
- [527] 條件 : N/A
Condition:
- 其他 : N/A
Others
- [220] 提交日期 : 19-11-2021
Date of Filing:
- [320] 聲稱具有優先權的日期 : N/A

Date of Priority Claimed:

[310] 優先權申請編號: N/A

Priority Application Number:

[340] 聲稱具有優先權 (部分): N/A

Priority Claim Details:

[330] 優先權申請的 N/A

國家、地區、地方:

Country, territory, area of

Priority Applications:

類別 Class 9

- [210] 商標申請編號 : 304184073
Application No.:
- [540] 商標 :
Mark:
- # Johnson Controls
- [550] 商標種類 : Ordinary
Mark Type:
一系列商標 : NO
Series Mark:
- [571] 商標描述 : N/A
Mark Description:
- [730] 註冊申請人的姓名 / 名稱、地址 : Tyco Fire & Security GmbH
Victor von Bruns-Strasse 21,
Applicant(s) ' 8212 Neuhausen am Rheinfall,
Name,Address: SWITZERLAND
- [740/ 註冊申請人的送達地址 : Deacons
750] Applicant's Address for 5th Floor
Service: Alexandra House, Central
HONG KONG
- [511] 類別編號 : 1, 9, 11, 37, 45
Class(es) No(s) .:
- [511] 貨品 / 服務說明 : Class 9:
Specification: Computer software; computer software for use with the collection of data, for connecting to a global computer network, for remotely controlling lighting devices within a building, for receiving, processing, transmitting and displaying data, for control, operation, monitoring and management of heating, ventilating, air conditioning and other building environment control equipment and systems and for the collection, management, analysis, storage, transmission and reporting of data in the field of security, safety, health, fire detection and suppression, access control, intrusion, customer care, loss prevention, inventory, business and retail performance, customer traffic, environmental, and energy management and lighting apparatus, systems and devices; computer hardware and software for the connection via the cloud, Internet or wireless networks of apparatus, systems and devices in the nature of security systems, fire alarms, alarm central units, anti-intrusion alarms, burglar alarms, personal health and security alarms, smoke and gas alarms, home surveillance systems, lighting controls, home automation devices, and systems for inventory

and asset management, anti-shoplifting and loss prevention, device health monitoring, consumer traffic patterns, point-of-sale transaction analysis, video enabled applications and store execution functions; computer hardware and software for the remote control, remote operation, remote monitoring and remote management via the cloud, Internet, or wireless networks of apparatus, systems and devices in the nature of security systems, fire alarms, alarm central units, anti-intrusion alarms, burglar alarms, personal health and security alarms, smoke and gas alarms, home surveillance systems, lighting controls, home automation devices, and systems for inventory and asset management, anti-shoplifting and loss prevention, device health monitoring, consumer traffic patterns, point-of-sale transaction analysis, video enabled applications and store execution functions; computer operating systems; computer servers; electronic display devices in the nature of video display screens; video cameras; video systems comprising digital video recorders, multiplexed signal processors for display and recording of multiple cameras, and recorded event retrieval systems comprising video recorders, processors and software; closed circuit television systems for security and surveillance, including closed captioned television (CCTV) and surveillance cameras and housings, domes and related parts thereof, digital video recording hardware and software for management of the recordings; encoders and decoders; video surveillance hardware and software, namely, hardware and software for video security, closed circuit television, digital video surveillance, digital video recording, storage and management, keyboards, encoders/decoders, video analytics, point of sale monitoring and integrated electronic security systems; video surveillance cameras; video surveillance systems; security surveillance apparatus; electric and electronic video surveillance installations; image processing apparatus; lasers for non-medical purposes; thermal imaging apparatus for night vision, not for medical use; fire-extinguishing apparatus; fire detection systems; fire detection devices; fire alarms; smoke alarms; intrusion detection systems and accompanying accessories; intrusion detection systems and accompanying accessories, namely, detection control panels, configuration software, keypad controllers, alarm sensors, electric switches, electric contacts and

electric relays, telephone dialing equipment, hardwire and cellular connectors, central intrusion monitoring stations consisting of audio and visual annunciators, namely, sirens, horns, strobes, and lights; computer networking hardware and data communications equipment in the nature of communications servers; burglar alarms and warning equipment; access control devices; access control devices, including computer servers and work stations, security and facilities management software, network software and communication cards, computers, monitors, keyboards, modems and related peripherals, system controllers, door locks, exit requesters, alarm sensors, electric switches, electric contacts, electric relays, security and access cards, card and coders, card readers, pin key pads, biometric recognition apparatus in the nature of a biometric identification apparatus, power supplies, cabinets for the aforementioned items and batteries; panic button alarms; telecommunications and data networking hardware, namely, devices for transporting and aggregating voice, data, and video communications across multiple network infrastructures and communications protocols; asset management and tracking systems consisting of inventory control systems, theft prevention devices and asset tracking devices and radio frequency identification (rfid), microwave, electromagnetic and acoustomagnetic tags, labels, readers, sensors, transmitters, receivers and electrical controllers; software for gas and filter selection management; network routers; wireless routers; safety, security, protection and signalling devices; measuring, detecting and monitoring instruments, indicators and controllers; telecommunications hardware and software for monitoring and alerting remote sensor status via the Internet; calculating machines, data processing equipment and computers; computer hardware and parts, fittings and accessories in the nature of computer peripherals therefor; anti-theft alarms, anti-theft alarm keypads and anti-theft alarm control panels; gas detectors; magnetic and electromagnetic object detectors; transponders; antennas; electronic security and surveillance devices, including plastic labels, markers, and electronic readers, sensors, transmitters, receivers and controllers utilizing radio-frequency identification (rfid), microwave, electromagnetic, radio-frequency and acoustic-magnetic signalling for tracing or tracking of

persons, animals, vehicles or goods; electronic apparatus for monitoring and tracking, including detaching devices and deactivators for use with inventory control and anti-theft labels and tags; electronic deactivators and detaching devices, hooks and detaching hooks for use with electronic inventory control and anti-theft tags; sensors; detectors; sensors and detector units for detecting proximity, carbon monoxide levels, heat, gas, temperature increase, glass break, smoke detection, flooding, fire, flame flare ups, full grease traps, alarm/disarm of security systems, open doors, weather threats, crime threats and motion; sensors and detectors for gathering safety and security data, including proximity and carbon monoxide levels, heat, gas, temperature increase, glass break, smoke detection, flooding, fire, flame flare ups, full grease traps, alarm/disarm of security systems, open doors, weather threats, crime threats and motion, not being for medical use; sensors and detectors for gathering data for transmission to insurance agencies in relation to the status of property, commercial premises and domestic premises, namely, flood detection, flare up, full grease traps, alarm/disarm of security systems, door openings, weather threats, regionalized crime threats, regionalized intrusions, trouble signals from alarm and access control panels (including door forces), presence detection, and the presence of explosive materials; sensors and detectors for gathering, processing and transmitting data using internet of things technology, namely, proximity, carbon monoxide levels, heat, gas, temperature increase, glass break, smoke detection, flooding, fire, flame flare ups, full grease traps, alarm/disarm of security systems, open doors, weather threats, crime threats and motion; data streaming apparatus in the nature of digital media streaming devices; data streaming software; motion sensors; optical beam sensors, namely, detecting, counting and tracking people; infra-red sensors, including remote sensors for use in detecting the presence of gas for industrial purposes, for use in detecting flames and for detecting; sensors for detecting, counting and tracking people; computer software used to operate, control, monitor and manage anti-theft alarms, inventory control systems, theft-prevention devices, people tracking devices and asset tracking devices; communications hardware and

software for the remote control, remote operation, remote monitoring and remote management of apparatus, systems and devices; all such control, operation, monitoring and management being cloud-based, via the Internet, or via wireless networks; fire alarm systems comprising fire alarms, fire, heat and smoke detectors and sensors, flame detectors, control panels, repeaters, monitoring modules, initiating devices enabled for operation in a wireless system; electric control panels; touch sensitive control panels for security systems, fire alarms, alarm central units, anti-intrusion alarms, burglar alarms, personal health and security alarms, smoke and gas alarms, home surveillance systems, lighting controls, home automation devices and sprinkler systems for fire protection; Ethernet repeaters; initiating devices, namely, fire alarm boxes, Smoke detectors, Heat detectors, Flame detectors, Sprinkler waterflow detectors, and switches indicating actuation of fire suppression systems; thermostats; wireless fire alarm systems comprising fire and smoke detectors, control panels, repeaters, monitoring modules, and initiating devices enabled for operation in a wireless system; carbon monoxide detectors; fire hoses; fire hose nozzles; carbon monoxide alarms; safety equipment, namely, fire escape ladders; fire beaters; fire pumps; fire sprinklers; fire trucks; fire engines; fire extinguishers; fire boats; fire blankets; fireproof clothing, namely, clothing for protection against fire; fire resistant gloves; fireproof garments; fire detection apparatus, namely, network systems, multiplex systems, stand alone systems, voice communication systems and fire alarm emergency phone systems, comprising, graphical command centers, manual stations, smoke detectors and sensors, flame detectors, heat detectors and sensors, water flow switches, sprinkler supervisory switches, door holders and/or closures, modems, fiber optic line drivers, alarm communicator transmitters and receivers, remote station receivers, audible and visible notification appliances, annunciators, intercoms, cathode ray tube (CRT) monitors and printers, batteries and charges and transient suppressors; fire control devices, apparatus and equipment, namely, fire extinguishing apparatus for use to disperse, water, chemical foam solution or chemical powder, featuring storage tanks for fire-fighting agents, valves and pipes for distributing agents, inductors,

generators for high-expansion foam, cannons, nozzles and ejectors; fire extinguishing apparatus; fire extinguishing systems; fire suppression systems and component parts thereof; sprinkler systems for fire protection and fire extinguishing; sprinkler heads for fire sprinklers; detection and control equipment for smoke; detection and control equipment for heat; detection and control equipment for flame; automatic fire extinguishing apparatus; electric alarms for fire; fire break glass units; asbestos safety screens for firemen; safety equipment, namely, fire escape ladders; fire extinguishing apparatus for automobiles; water sprinkling devices for fire control; alarms for the detection of inflammable gases; dispersion systems using chemical powder and/or chemical foam comprised of storage tanks for the fire fighting agents, valving and piping to deliver the agents, proportioning controllers, high expansion foam generators, monitors, nozzles and eductors; flame detection instruments, namely, flame detecting instrument comprised of an infrared flame detector and CCTV (closed circuit television) camera; fire suppression nozzles; equipment for dispersing dry chemicals and foam chemicals for fire fighting, including storage tanks for the fire fighting agents, valving and piping to deliver the agents, proportioning controllers, high expansion foam generators, monitors, nozzles and educators; security cameras; security alarms; security warning apparatus, namely, sensors for detecting body heat, motion and vibrations; security control apparatus in the nature of wireless controllers to remotely monitor and control the function and status of security systems; personal security alarms; electronic security tags; radio frequency identification (RFID) tags; electronic security and surveillance devices, including electromagnetic tags, acoustomagnetic tags, radio frequency identification (RFID) labels, electromagnetic labels, acoustomagnetic labels, radio frequency identification (RFID) readers, electromagnetic readers, acoustomagnetic readers, radio frequency identification (RFID) sensors, electromagnetic sensors, acoustomagnetic sensors, radio frequency identification (RFID) transmitters, electromagnetic transmitters, acoustomagnetic transmitters, radio frequency identification (RFID) receivers, electromagnetic receivers, acoustomagnetic receivers, electrical controllers for acoustomagnetic sensor

detection systems, and electronic controllers for RFID readers; security surveillance apparatus, including hardware for video recorders, disc storage containers, encoders, decoders, and keyboards, and software for digital video recording, storage, management, point of sale monitoring, analytics, and security systems integration; automatic access security apparatus, including comprised of entry door systems comprising touch pads and security doors; software to control building environmental, access and security systems; control panels for security alarms; motion detectors; motion sensing input devices, including motion sensing controls for protecting property; security alarm systems, namely, building security alarm systems comprising software and hardware for providing picture, video, alarm status, building plans, and other information to a remote station; wireless security alarm systems comprising software and hardware for providing picture, video, alarm status, building plans, and other information to a remote station; anti-theft alarms in the nature of burglar alarms not for vehicles; anti-theft alarm keypads; anti-theft alarm control panels; electronic article surveillance devices, namely, UHF Radio Frequency Identification (RFID) and Acousto-Magnetic (AM) integrated traffic and metal foil detection sensors, transmitters, receivers and electrical controllers; electronic apparatus for monitoring and tracking; electronic apparatus for monitoring and tracking, namely, sensors, cameras and monitors for alarm monitoring systems; intercoms; intercom apparatus in the nature of voice evacuation systems comprising intercoms, audio speakers and microphones; nurse call systems, namely, audio/visual signaling and communication systems for use in health care environments, comprising, nurse master stations, bath stations, patient room stations, emergency code terminals, monitors, pagers, intercoms, notification devices, dome lights, and zone lamps; vehicle tracking apparatus; digital signage; mass notification systems, comprised of speakers, signboards, strobes, sirens, pagers, lights, telephones, cell phones and computers for alerting and instructing individuals during emergency and/or disaster situations; telecommunications and data networking hardware, including devices for transporting and aggregating voice, data and video communications across multiple network infrastructures and

communications protocols; computer hardware and software systems for tracking equipment and assets using GPS (global positioning system) data on a device on the tracked equipment and assets; asset management and tracking systems comprised of magnetic and electromagnetic object detectors; transponders; antennas; encoded micro particulates, plastic labels, markers, and electronic readers, sensors, transmitters, receivers and controllers utilizing radio-frequency identification (rfid), microwave, electromagnetic, radio-frequency and acoustic-magnetic signaling; electronic devices for assisting emergency personnel with people needing assistance, comprised of sensors for determining status of person and apparatus for sending electronic alerts to emergency personnel; apparatus for monitoring the size, number, flow rate and direction of objects moving through an area; positioning tags in the nature of electronic tags for goods; encoded personnel identity badges; encoded patient bracelets; asset tracking tags in the nature of electronic tags for goods; temperature sensors with radio, low frequency and infrared communication capability; electronic wireless input modules for reading data from personnel and article monitoring devices and systems; computer software for securing access to physical property, assets and buildings; software for gathering intelligence related to inventory and asset management, anti-shoplifting and loss prevention, device health monitoring, consumer traffic patterns, operational compliance, point-of-sale transaction analysis, video enabled applications and store execution functions; computer software for monitoring and controlling systems and devices for the management of motorways and tunnels; flame detection apparatus; flame detectors in the nature of fire and smoke detectors; combustion gas detectors; gas sensors for measuring gas concentration; gas alarms; gas testing instruments; gas detecting apparatus in the nature of gas sensors for measuring gas concentration, including wireless and mobile gas detecting apparatus; gas leak alarm systems comprising sensors and alarms; Programmable Logic Controller (PLC) devices; electric and electronic devices and computer software for the remote monitoring and control of, and electronic and audio interaction with, home and/or residential environmental monitoring, control and automation systems;

electric and electronic devices and computer software for the remote monitoring and control of, and electronic and audio interaction with, thermostats, heating and air conditioning apparatus, humidifiers, ventilating apparatus, smoke detectors and alarms, carbon monoxide detectors and alarms, fire detectors and alarms, proximity sensors, security and access systems, alarms and sensors, lighting, light sensors, motion sensors, moisture sensors, environmental hazard detectors, wireless local area network enabled cameras, and smart appliances in homes and/or residential environments; application software for use on computers and hand-held devices to enable the remote monitoring and control of, and electronic and audio interaction with, thermostats, heating and air conditioning apparatus, humidifiers, ventilating apparatus, smoke detectors and alarms, carbon monoxide detectors and alarms, fire detectors and alarms, proximity sensors, security and access systems, alarms and sensors, lighting, light sensors, motion sensors, moisture sensors, environmental hazard detectors, wireless local area network enabled cameras, and smart appliances in homes and/or residential environments; electrical and electronic controls and control, automation and optimization devices, apparatus and systems for buildings, facilities and plants; electrical and electronic controls and control, automation and optimization systems for building, facility and plant environmental, safety, security, fire, sprinkler, water flow, surveillance, tracking, emergency, energy, lighting, sound, display, threat detection, access, and asset management devices, apparatus and systems; electrical and electronic controls and controls systems for the on-site and remote monitoring, control, operation, automation, and optimization of, and interaction with, building, facility, and plant devices, apparatus and systems for heating, air conditioning, ventilation, refrigeration, energy use, allocation, maintenance, efficiency and stabilization, lighting, sound, communication, luminescent display, audio and video broadcast, battery and storage cell electrical charging, metering and payment, fire and smoke detection, alarm, suppression, containment and control, water flow, emergency evacuation, security access and alarms, CCTV, surveillance, asset and personnel tracking, light and motion detection, moisture detection, environmental

hazard detection, threat detection and safety, gas detection, alarm and containment, asset management, manufacturing, and equipment and systems fault detection; on-site and field hardware, software, sensors, monitors, controls, control systems and apparatus for individual and integrated on-site and remote monitoring, control, operation, automation and optimization of, and interaction with, building, facility and plant devices, apparatus and systems for heating, air conditioning, ventilation, refrigeration, energy use, allocation, maintenance, efficiency and stabilization, lighting, sound, communication, luminescent display, audio and video broadcast, battery and storage cell electrical charging, metering and payment, fire and smoke detection, alarm, suppression, containment and control, water flow, emergency evacuation, security access and alarms, CCTV, surveillance, asset and personnel tracking, light and motion detection, moisture detection, environmental hazard detection, threat detection and safety, gas detection, alarm and containment, asset management, manufacturing, and equipment and systems fault detection; computer hardware, software and systems for gathering, collecting, aggregating, storing, sorting, analyzing and reporting data; computer hardware, software and systems for gathering, collecting, aggregating, storing, sorting, analyzing and reporting data from building, facility and plant control, environmental, safety, security, fire, sprinkler, water flow, surveillance, tracking, emergency, energy, lighting, sound, threat detection, access, asset management, automation and optimization devices, apparatus and systems; computer hardware, software and systems for gathering, collecting, aggregating, storing, sorting, analyzing and reporting data from building, facility and plant devices, monitors, monitoring systems, sensors, controls, control systems, and apparatus for heating, air conditioning, ventilation, refrigeration, energy use, allocation, maintenance, efficiency and stabilization, lighting, sound, communication, luminescent display, audio and video broadcast, battery and storage cell electrical charging, metering and payment, fire and smoke detection, alarm, suppression, containment and control, water flow, emergency evacuation, security access and alarms, CCTV, surveillance, asset and personnel tracking, light and motion detection, moisture

detection, environmental hazard detection, threat detection and safety, gas detection, alarm and containment, asset management, manufacturing, and equipment and systems fault detection; computer hardware and software for wired and wireless networking of building, facility and plant control, environmental, safety, security, fire, sprinkler, water flow, surveillance, tracking, emergency, energy, lighting, sound, display, threat detection, access, asset management, automation and optimization devices, apparatus and systems; system configuration and user interface software; software for use in the creation, configuration, engineering, installation and operation of building, facility, and plant control, environmental, safety, security, fire, sprinkler, water flow, surveillance, tracking, emergency, energy, lighting, sound, threat detection, access, asset management, automation and optimization devices, apparatus and systems; software for recording, tracking, auditing and reporting the performance and compliance of environmental controls systems; application software for enabling the monitoring, control and operation of, and interaction with, building, facility, and plant devices, apparatus and systems for heating, air conditioning, ventilation, refrigeration, energy use, allocation, maintenance, efficiency and stabilization, lighting, sound, communication, luminescent display, audio and video broadcast, battery and storage cell electrical charging, metering and payment, fire and smoke detection, alarm, suppression, containment and control, water flow, emergency evacuation, security access and alarms, CCTV, surveillance, asset and personnel tracking, light and motion detection, moisture detection, environmental hazard detection, threat detection and safety, gas detection, alarm and containment, asset management, manufacturing, and equipment and systems fault detection using a remote computer, smart phone or other mobile device; batteries; galvanic batteries; polymer lithium-ion batteries; rechargeable batteries for electric vehicles and electronic devices; accumulators; electric primary and secondary elements, namely, electric primary and secondary electrical circuits; electric fuel elements, namely, fuel cells; electric batteries, being specially designed as parts or accessories for land, air and water vehicles; chargers and parts therefor, for electric batteries, being specially designed

as parts or accessories for land, air and water vehicles; rectifiers and switching apparatus, namely, electrical switches, and battery-regulating electrical switches, electrical cell switches and capacitance meters for electric batteries, being specially designed as parts or accessories for land, air and water vehicles; automobile accessories, namely, starter batteries; machines and apparatus for testing galvanic elements, batteries and electric fuel cells specially designed as parts or accessories for land, air and water vehicles, namely, voltmeters, and for parts for the aforesaid goods; apparatus and instruments for conducting, switching/transforming, accumulating, regulating or controlling electricity, namely electricity conduits, power switches, distribution boxes for electrical power, current transformers; apparatus for monitoring of automotive batteries; conductive grids for batteries; battery components, namely, internal frames for the purpose of providing structural durability; vents and vent covers for batteries; industrial batteries; downloadable mobile application software for use in battery monitoring, diagnostics, safety, and for education relating to battery technology; battery management systems, namely hardware and computer software for monitoring and managing battery charging, output, and performance and for thermal control; actuators; actuators, controls and switches for air ventilation and air conditioning systems and equipment; solenoid valves; control valves (electric); terminal unit valves (electric); terminal unit valve actuators (electric); temperature monitors (valves) for central heating radiators; electric or electronic controls for automatically operating valves; directional valves for delivering fire suppression gas as component of an inert gas fire suppression system; computer software, namely automated energy management and fault detection software designed specifically to monitor, measure, analyze, track, collect, record, transmit and store energy and resource consumption data from existing building control systems and building automation systems to enable users to control multiple building control systems and building automation systems to monitor, track, manage, control, conserve and optimize energy and resource usage, and to allow real time viewing and manipulation of energy and resource usage by way of graphic displays on

personal computers, servers and wireless devices and to send and receive data and alerts to users of energy and resource usage, and computer manuals and instructions relating thereto; computer software to be installed on devices or equipment to allow integration with building control systems and building automation systems from different vendors, and to transmit and receive data and instructions between the device or equipment and the building control system or building automation system and other software and allowing software to control the building control system or building automation system network and the devices and equipment connected thereunder; computer software, namely application programming interface library for the integration of third party building control systems and building automation systems with other building energy management system software or frameworks.

- [526] 卸棄 : N/A
Disclaimer:
- [529] 限制 : N/A
Limitation:
- [527] 條件 : N/A
Condition:
其他 : By consent, Trade Mark No. 19711661AA
Others By consent, No. 300991530
By consent, Trade Mark No. 2007B00066,
200010206, 200010205, 199805421, 199710033,
199400023
- [220] 提交日期 : 23-06-2017
Date of Filing:
- [320] 聲稱具有優先權的日期 : N/A
Date of Priority Claimed:
- [310] 優先權申請編號 : N/A
Priority Application Number:
- [340] 聲稱具有優先權 (部分) : N/A
Priority Claim Details:
- [330] 優先權申請的 : N/A
國家、地區、地方 :
Country, territory, area of
Priority Applications:
-
- [210] 商標申請編號 : 304764925
Application No.:

[540] 商標 :
Mark:

AGUSTAWESTLAND

[550] 商標種類 : Ordinary
Mark Type:
一系列商標 : NO
Series Mark:

[571] 商標描述 : N/A
Mark Description:

[730] 註冊申請人的姓名 / 名稱、地址 : Leonardo S.p.A.
Applicant(s) ' Piazza Monte Grappa, 4,
Name,Address: Roma,
ITALY

[740/ 註冊申請人的送達地址 : SIT, FUNG, KWONG & SHUM
750] Applicant's Address for 17th Floor, Chu Kong Shipping Tower,
Service: No. 143 Connaught Road Central,
Hong Kong

[511] 類別編號 : 9,12,16,37,41,42
Class(es) No(s) .:

[511] 貨品 / 服務說明 : Class 9:
Specification: Electrical, electronic, measuring, signalling,
sensing and checking apparatus and instruments
for use in aircraft, rotary wing aircraft,
helicopters, tilt rotor aircraft; teaching,
training and technical manuals in electronic
form; computer software; communications
apparatus and instruments; testing apparatus
and instruments; electrical and electronic
components, sighting and targeting apparatus
and instruments; components, parts and
fittings for all the aforesaid goods.
Class 12:
Aircraft; rotary wing aircraft, helicopters,
tilt rotor aircraft; wings, blades, fuselages,
rotors and propellers; components and parts
and fittings for all these goods.
Class 16:
Printed matter including teaching, technical
and training manuals.
Class 37:
Repair, installation and maintenance services;
repair, installation, renovation and
maintenance services in connection with
aircraft, rotary wing aircraft, helicopters
and tilt rotor aircraft.
Class 41:
Teaching and training services in respect of
the use, repair, maintenance, installation,
and construction of aircraft, rotary wing
aircraft, helicopters and tilt rotor aircraft.

Class 42:

Design, development and integration of mission and avionics systems, and of air vehicles, communications systems, and navigation systems; design, development and integration of sensor, sighting and targeting systems, dynamic components and systems, engines for aircraft, avionics support systems, and integrated logistic support systems; testing services; flight testing and certification services for aircraft, rotary wing aircraft, helicopters and tilt rotor aircraft.

[526] 卸棄:	N/A
Disclaimer:	
[529] 限制:	N/A
Limitation:	
[527] 條件:	N/A
Condition:	
其他:	N/A
Others	
[220] 提交日期:	11-12-2018
Date of Filing:	
[320] 聲稱具有優先權的日期:	N/A
Date of Priority Claimed:	
[310] 優先權申請編號:	N/A
Priority Application Number:	
[340] 聲稱具有優先權 (部分):	N/A
Priority Claim Details:	
[330] 優先權申請的	N/A
國家、地區、地方:	
Country, territory, area of	
Priority Applications:	

[210] 商標申請編號:	305378626
Application No.:	
[540] 商標:	A
Mark:	



B



C



- [550] 商標種類 : Ordinary
 Mark Type:
 一系列商標 : YES
 Series Mark:
- [571] 商標描述 : The applicant claims the colours red and black as elements of mark "C" in the series.
 Mark Description:
- [730] 註冊申請人的姓名 / 名稱、地址 : Winfast International Trading Limited
 Applicant(s) ' Room 1108, 11/F, Houston Centre
 Name, Address: 63 Mody Road, Tsim Sha Tsui East
 HONG KONG
- [740/ 註冊申請人的送達地址 : RIGHT IP LIMITED
 750] Applicant's Address for 2002 Jupiter Tower
 Service: 9 Jupiter Street
 HONG KONG
- [511] 類別編號 : 9,28,35,38,41,42
 Class(es) No(s) .:
- [511] 貨品 / 服務說明 : Class 9:
 Specification: Downloadable electronic publications on games;
 downloadable game programs; downloadable game
 software; downloadable picture or motion
 picture of a play or drama; downloadable
 voice, music, picture, animation; game
 programs, recorded; game programs for home
 video game machine, hand-held video game
 consoles and portable communication terminals
 for games; game software, recorded.
 Class 28:
 Toys; games; playthings; home video game
 machines; hand-held video game consoles;
 joysticks, controllers, and other fittings for
 video games.
 Class 35:

Arranging, conducting and organization of events for promotion of game products; online advertising via internet; online questionnaire survey of games, and providing information of the results; online sales of books, music, games, software and video game consoles; providing business information for the sales of downloadable games and recorded games; providing game software sales information and sales ranking information; retail and wholesale services in relating to recorded game programs, downloadable game programs for home video game machine, hand-held video game consoles and portable communication terminals; systemization of information into computer databases; updating and maintenance of data in computer databases; web indexing for commercial or advertising purposes.

Class 38:

Audio and video broadcasting via the internet.

Class 41:

Arranging, conducting, organizing and presentation of multiplayer game congresses, activities; arranging, conducting, organizing and presentation of online game congresses and activities; club services relating to entertainment and education; electronic game services provided by electronic communication means; providing electronic games via the internet, intranet, telecommunication network or other means of communication network; providing information for fighting games, entertainment games and multiplayer games via the internet; providing music on games using communication via portable mobile terminals and hand-held video game consoles; providing online electronic games; providing digital music via online games; rental of game cartridges, magnetic disks, optical memory medias and flash memories recorded with game programs.

Class 42:

Conversion of game programs and data (except physical change); design of games; installation, updating and maintenance of game programs via the internet; providing information on design of game programs; rental of game programs; research, development, designing, programming, installation, updating, upgrading and maintenance of game programs.

[526] 卸棄:

N/A

Disclaimer:

[529] 限制:

N/A

Limitation:

[527] 條件 : N/A
 Condition:
 其他 : N/A
 Others

[220] 提交日期 : 02-09-2020
 Date of Filing:

[320] 聲稱具有優先權的日期 : N/A
 Date of Priority Claimed:

[310] 優先權申請編號 : N/A
 Priority Application Number:

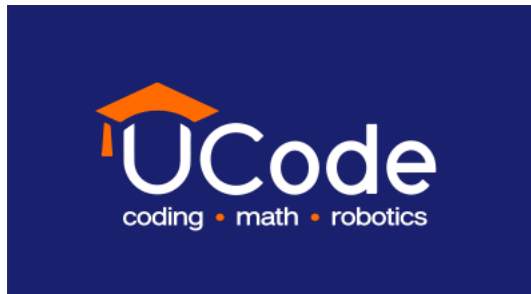
[340] 聲稱具有優先權 (部分) : N/A
 Priority Claim Details:

[330] 優先權申請的
 國家、地區、地方 : N/A
 Country, territory, area of
 Priority Applications:

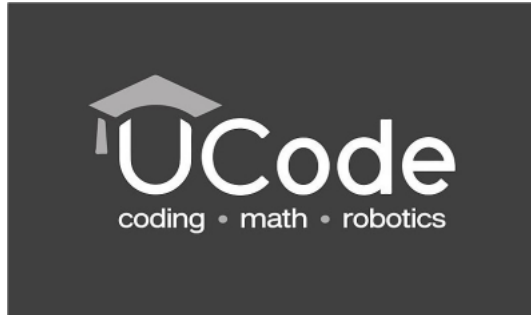
[210] 商標申請編號 : 305396888AA
 Application No.:

[540] 商標 :
 Mark:

A



B



C





- [550] 商標種類 : Ordinary
Mark Type:
- 一系列商標 : YES
Series Mark:
- [571] 商標描述 : The applicant claims the colours blue, orange
Mark Description: and white as elements of mark "A" in the series and the colours blue and orange as elements of mark "C" in the series.
- [730] 註冊申請人的姓名 / 名稱、地址 : ETI Asia Limited
Applicant (s) ' 13A Shun Ho Tower,
Name, Address: 24-30 Ice House Street, Central,
HONG KONG
- [740/ 註冊申請人的送達地址 : K&L GATES
750] Applicant's Address for 44/F, Edinburgh Tower, The Landmark,
Service: 15 Queen's Road Central,
HONG KONG
- [511] 類別編號 : 9
Class(es) No(s) .:
- [511] 貨品 / 服務說明 : Class 9:
Specification: Computer game programs for cellular phones;
computer game software; computer game programs; computer video game programs in the form of cartridges, cassettes, cards and discs; CD-ROM discs featuring music, stories, games and activities, computer game programs; computer games cassettes; interactive computer game software downloaded from the Internet; computer keyboards; downloadable electronic publications; downloadable electronic publications relating to education and training; downloadable electronic instructional and teaching material; teaching apparatus.
- [526] 卸棄 : N/A
Disclaimer:
- [529] 限制 : N/A
Limitation:
- [527] 條件 : N/A
Condition:
- 其他 : N/A
Others
- [220] 提交日期 : 21-09-2020
Date of Filing:
- [320] 聲稱具有優先權的日期 : N/A
Date of Priority Claimed:
- [310] 優先權申請編號 : N/A
Priority Application Number:

[340] 聲稱具有優先權 (部分): N/A
Priority Claim Details:

[330] 優先權申請的 N/A
國家、地區、地方:
Country, territory, area of
Priority Applications:

[210] 商標申請編號: 305512923
Application No.:

[540] 商標:
Mark:

T SQUARE

[550] 商標種類: Ordinary
Mark Type:
一系列商標: NO
Series Mark:

[571] 商標描述: N/A
Mark Description:

[730] 註冊申請人的姓名 / 名稱、地址: SURPLUS FOCUS LIMITED
Applicant(s) ' 20/F, East Point Centre
Name,Address: 555 Hennessy Road Causeway Bay,
HONG KONG

[740/ 註冊申請人的送達地址: Joanne Li
750] Applicant's Address for 20/F, East Point Centre
Service: 555 Hennessy Road, Causeway Bay
HONG KONG

[511] 類別編號: 9,16,35,36,37,39,41,43,44,45
Class(es) No(s) .:

[511] 貨品 / 服務說明: Class 9:
Specification: glasses, sunglasses, spectacles; lenses;
spectacle cases, chains, frames for eyeglasses
and sunglasses and cases for the aforesaid
goods; cases and pouches adapted for
spectacles and sunglasses; parts and fittings
for all the aforesaid goods; smart cards;
computer application software for mobile
phones; mobile phone applications;
downloadable electronic publications; computer
software for e-commerce to allow users to
perform electronic business transactions;
software for use in electronic payment
systems; downloadable software used for
browsing crowd-sourced information; video and
computer game programs; game software for
handheld electronic devices; game software;
interactive multimedia software
(downloadable); scientific, nautical,
surveying, photographic, cinematographic,

optical, weighing, signalling, checking (supervision), life-saving and teaching apparatus and instruments; apparatus and instruments for conducting, switching, transforming, accumulating, regulating or controlling electricity; apparatus for recording, transmission or reproduction of sound or images; magnetic data carriers, recording discs; compact discs, DVDs and other digital recording media; mechanisms for coin-operated apparatus; cash registers, calculating machines, data processing equipment, computers; computer software; fire-extinguishing apparatus; computer programs [downloadable software]; downloadable music files; downloadable image files; computer software applications, downloadable; compact discs [audio-video]; electronic book readers; computer programmes [programs], recorded; teleprinters; computer hardware; compact disc players; audiovisual teaching apparatus; cameras; camera cases; digital still cameras; digital photo frames; batteries; time switches; magnetic switches; light dimmers; switchboards; electric switch boxes; electric cables; electricity conduits; electricity ducts; electric cable racks; lighting ballasts; circuit breakers; electro-magnetic switches; amplifiers; microphones; digital sound processors; headphones; earphones; television sets; video tape recorders; video tape players; smartphones; smart watches; accessories for mobile phones, namely, battery packs, cases, lanyards, chargers, holders, power supply adapters, headsets, earphones and microphones; hands-free kits for mobile phones; cordless telephones; telephone answering machines; private branch exchanges; global positioning system [GPS] apparatus; transceivers; encoding and decoding apparatus; navigation apparatus for vehicles [on-board computers]; car navigation systems; digital signage; remote controllers; transmitters and receivers for remote controls; apparatus for distributing or controlling electricity; electric power controllers; programmable logic controllers; computer peripheral devices; tablet computers; mobile computers; wearable computers; hard disc drivers; USB cables; Image scanners; printers for computers; empty toner cartridges for computer printers; toner cartridges sold empty; photo printers; video printers; digital color copiers; multi-function copiers; multi-function printers; electronic blackboards; electronic whiteboards; PC cards; computer keyboards;

floppy disk drives; electronic card readers; electronic card readers and writers; bar code readers; bar code scanners; electronic mobile data terminals; electronic cash registers; electronic calculators; routers; monitors [computer hardware]; ethernet adapters; computer port replicators; downloadable electronic maps; downloadable image and video files; downloadable electronic data files for computer programs; pre-recorded DVDs; downloadable computer programs; computer software for processing images and graphics; scientific research and laboratory apparatus; computer hardware and software for image recognition for security and surveillance; computer hardware and software for video surveillance of factory production lines; radio-frequency modulators; computer networks; computer servers; data storage media; blank video tapes; head cleaning tapes for audio and video tape recorders and players; blank audio tapes; blank floppy discs; blank optical discs; Memory cards; IC memory cards; dosimeters; counters; ammeters; thermometer, not for medical purposes; voltmeters; weighing machines; pedometers; calorie consumption monitors for use during sporting activities; exercise intensity and pitch monitors for use during sporting activities; electricity meters; gas meters; water meters; wattmeters; distance measuring apparatus; sensors; light-emitting diodes.

Class 16:

Paper; Drawing paper; Table linen of paper; Tablecloths of paper; Napkins of paper for removing make-up; Tissues of paper for removing make-up; Table napkins of paper; Scrapbooks; Albums; Drawing pads; Pamphlets; Writing or drawing books; Note books; Cards; Cigar bands; Posters; Books; Printed publications; Magazines (periodicals); Pictures; Engravings; Photographs [printed]; Photograph stands; Hat boxes of cardboards; Wrapping paper; Bags [envelopes, pouches] of paper or plastics, for packaging; Pencil sharpeners, electric or non-electric; Envelope openers; Holders for checkbooks [cheque books]; Passport holders; Money clips; Indian inks; Stamps [seals]; Cases for stamps [seals]; Steel pens; Pencils; Pen cases; Writing materials; Fountain pens; Writing instruments; Adhesive tape dispensers [office requisites]; Easels (Painters'-); Prints [engravings]; Printing blocks; Teaching materials [except apparatus]; Terrestrial globes; Cheque wallets (leather); Passport

wallets (leather)

Class 35:

Retail store services; online retail store services; department store services; supermarket services; retailing convenience store services; ordering services; wholesaling and distributorship services; sales promotional and marketing services; import and export agency services; buying and selling agency services; selection of goods and procurement of goods on behalf of business; provision of business information; all of the aforesaid services relating to clothing, headgear, footwear, belts, leatherware, leather and imitation leather and goods made therefrom, eyewear, watches, cosmetics, printed matters, records, musical instruments, tapes, discs, sound and electric and electronic systems and equipment, lighting systems and equipment, audiovisual systems and equipment, fashion accessories, perfumes, beauty preparations, apparatus for heating, cooking, refrigerating drying, ventilating, water supply and sanitary purposes, household and kitchen utensils, furniture, building materials and interior products, food, food stuffs for animals, beer, mineral and aerated waters and other non-alcoholic drinks, fruit drinks and juices, wines, spirits and liqueurs, pharmaceutical and medicinal preparations, drugs, games, and playthings, tobacco products, jewellery, computers, medical instruments, health care preparations for personal care, health and dietetic foods, vitamins, textiles and textile goods, lace and embroidery, carpets, toys; credit card registration services; business management services; business administration services; consultancy services relating to franchising; advertising; on line retailing of the aforesaid goods from a computer database of the internet; retailing of take-away foods and beverages; the bringing together, for the benefit of others, of a variety of goods, enabling customers to conveniently view and purchase those goods in department stores, retail stores or through internet websites; publicity; rental of advertising space; on-line advertising on a computer network; presentation of goods on communication media, for retail purposes, business management assistance; cost price analysis; business management and organisation consultancy; marketing studies; public relations; marketing research; organisation of exhibitions for commercial or advertising purposes; business

management of hotels, commercial and residential buildings; commercial administration of the licensing of the goods and services of others; organising fashion shows for advertisement and sales; import-export agencies; sales promotion for others.

Class 36:

investment holdings; asset management services; property management service; investment trust in relation to real estate or hospitality industry; investment strategy and management; investment portfolio management; real estate affairs; real estate investment; fund investments; exchanging money; financial management; rent collection; financial evaluation [insurance, banking, real estate]; issuance of credit cards; antique appraisal; art appraisal; jewellery appraisal; leasing of real estate; real estate brokers; real estate management; renting of residential or commercial apartments; rental of offices [real estate]; renting of retail stores and department stores; sales of commercial houses; charitable fund raising; real estate investment services; real estate management services; real estate agency services; rental, leasing and licensing of real estate; trusteeship of real estate.

Class 37:

Building construction services; building construction supervision; construction; construction of buildings; real estate development services, installation and repair services relating to real estate building construction and real estate development; cleaning of buildings, both exterior and interior; construction information; painting, interior and exterior; paper hanging; plastering; plumbing; scaffolding; building sealing; window cleaning; installation and repair of lifts, elevators, electric appliances and air conditioning apparatus; building of offices; construction of office, residential and commercial buildings; interior fitting-out of offices; maintenance and repair of office machines and equipment; office cleaning

Class 39:

Porterage; Transport of travelers; Packaging of gifts; Boat rental; Boat transport; Aircraft rental; Car parking; Chauffeur services; Storage; Delivery of goods; Flower delivery; Escorting of travelers; Arranging of cruises; Arranging of tours; Travel reservation; Tour guide

Class 41:

Arranging and conducting of conferences; entertainment; presentation of live performances; organization of exhibitions for cultural purposes; organization of entertainment events; entertainment and recreation information; providing recreation facilities; organizing and conducting of recreational and cultural activities; art exhibition services; rental of audio and visual apparatus

Class 43:

Services for providing food and drink; restaurants; fast food restaurants; cafe; cafeteria; snack bar; take-away restaurant services; food halls; canteens; self-service restaurants; banquet services; cocktail lounges; catering services; tea houses; coffee bar and coffee house; office coffee supply services; contract food services; sushi bar; ice cream shop; bakery; food kiosks; food preparation; preparation of take-away foods and beverages; bars; wine bar services; providing information relating to preparation of foods and beverages and catering services; providing information relating to restaurants and bars; temporary accommodation services; accommodation bureaux [hotels, boarding houses]; temporary accommodation reservations; bar services; boarding for animals; boarding houses; provision of banquet and social function facilities for special occasions; specialised hotel services rendered as part of a program for frequent hotel guests; rental of meeting room; hiring of function rooms and meeting rooms; providing facilities for exhibitions and conferences; leasing of exhibition facilities.

Class 44:

beauty care salon offering services including health care services, facials and skin care services, massage, slimming and weight reduction treatment, cosmetics services, waxing, body treatment, brow and lash tinting, tanning services, nail care, spa services; information, advisory and consultancy services relating to all of the aforesaid services and foods (dietary), nutrition, body slimming, body health, beauty care and skin care.

Class 45:

Legal services; security services for the protection of property and individuals; personal and social services rendered by others to meet the needs of individuals; adoption agency services; licensing of computer software [legal services]; copyright management; crematorium services; dating

services; escorting in society [chaperoning]; evening dress rental; funerals; baggage inspection for security purposes; inspection of factories for safety purposes; intellectual property consultancy; licencing of intellectual property; intellectual property watching services; opening of security locks; marriage agencies; mediation; organization of religious meetings; personal background investigations; personal body guarding; registration of domain names [legal services]; rental of fire alarms; rental of fire extinguishers; security consultancy; undertaking; security administration for houses and real estate; guards and security patrol services; lost property return; housekeeping services; concierge services.

- [526] 卸棄 : N/A
Disclaimer:
- [529] 限制 : N/A
Limitation:
- [527] 條件 : N/A
Condition:
其他 : N/A
Others
- [220] 提交日期 : 21-01-2021
Date of Filing:
- [320] 聲稱具有優先權的日期 : N/A
Date of Priority Claimed:
- [310] 優先權申請編號 : N/A
Priority Application Number:
- [340] 聲稱具有優先權 (部分) : N/A
Priority Claim Details:
- [330] 優先權申請的
國家、地區、地方 : N/A
Country, territory, area of
Priority Applications:

-
- [210] 商標申請編號 : 305623191
Application No.:
- [540] 商標 :
Mark:

中康科技

- [550] 商標種類: 一般商標
Mark Type:
一系列商標: 否
Series Mark:
- [571] 商標描述: 不適用
Mark Description:
- [730] 註冊申請人的姓名 / 名稱、地址: 廣州中康數字科技有限公司
Applicant(s) ' 中國
Name,Address: 廣州市南沙區
豐澤東路 106 號 (自編 1 號樓) X1301-F7942 (集群註冊)
(JM)
- [740/ 註冊申請人的送達地址: 龍騰企業諮詢管理有限公司
750] Applicant's Address for 香港
Service: 九龍旺角彌敦道 788-790 號
利美大廈 10 字樓 B 室
- [511] 類別編號: 9, 16, 35, 41, 42, 44
Class(es) No(s) .:
- [511] 貨品 / 服務說明: 類別 9:
Specification: 計算機; 已錄製的計算機程序; 無線接收器; 網路通訊設備;
光學纖維 (光導纖維); 隱形眼鏡; 具有人工智能的人形機器人;
全球定位系統 (GPS) 設備; 安全監控機器人; 培養皿
類別 16:
紙; 印刷出版物; 說明書; 期刊; 新聞刊物; 海報; 文件夾;
教學材料 (儀器除外); 手冊
類別 35:
計算機網絡上的在線廣告; 為零售目的在通訊媒體上展示商品
; 商業研究; 通過網站提供商業信息; 利用計算機數據庫進行
市場調查; 軟件出版框架下的市場營銷; 為他人促銷產品服務
; 將信息編入計算機數據庫; 在電腦檔案中進行數據檢索 (替
他人); 在計算機數據庫中更新和維護數據
類別 41:
學校 (教育); 培訓; 通過模擬裝置進行的培訓服務; 安排和
組織大會; 組織文化或教育展覽; 安排選美競賽; 組織表演 (演
出); 健身俱樂部 (健身和體能訓練); 通過計算機網絡在
線提供的遊戲服務; 健身指導課程
類別 42:
技術專案研究; 替他人研究和開發新產品; 化妝品研究; 生物
學研究; 臨床試驗; 氣象信息; 計算機編程; 提供互聯網搜索
引擎; 軟件即服務 [SaaS]; 雲計算
類別 44:
醫療診所服務; 醫院; 醫療保健; 醫療輔助; 心理專家服務;
遠程醫學服務; 療養院; 康復中心; 美容服務; 飲食營養指導
- [526] 卸棄: 不適用
Disclaimer:
- [529] 限制: 不適用
Limitation:
- [527] 條件: 不適用
Condition:
其他: 獲同意註冊, 編號 305596255 及 305476041。
Others

[220] 提交日期 : 12-05-2021
Date of Filing:
[320] 聲稱具有優先權的日期 : 不適用
Date of Priority Claimed:
[310] 優先權申請編號 : 不適用
Priority Application Number:
[340] 聲稱具有優先權 (部分) : 不適用
Priority Claim Details:
[330] 優先權申請的 不適用
國家、地區、地方 :
Country, territory, area of
Priority Applications:

[210] 商標申請編號 : 305640255
Application No.:

[540] 商標 :
Mark:

A
ELEHEAR

B
elehear

C
Elehear

[550] 商標種類 : 一般商標
Mark Type:
一系列商標 : 是
Series Mark:

[571] 商標描述 : 不適用
Mark Description:

[730] 註冊申請人的姓名 / 名稱、地址 : 大象聲科 (深圳) 科技有限公司 (Elevoc Technology
Applicant(s) ' Co., Ltd.)
Name, Address: 中國
廣東省深圳市
南山區粵海街道高新區社區科技南路 18 號深圳灣科技生態園
12 棟裙樓 533

[740/ 註冊申請人的送達地址 : 卓遠知識產權有限公司
750] Applicant's Address for 香港
Service: 上環禧利街 27 號
富輝商業中心 10 樓

[511] 類別編號 : 9
Class(es) No(s) .: 9

[511] 貨品 / 服務說明 : 類別 9:
Specification: 計算機程序 (可下載軟件) ; 已錄製的計算機程序; 眼鏡。

[526] 卸棄 : 不適用
Disclaimer:

[529] 限制 : 不適用
Limitation:

[527] 條件 : 不適用
Condition:
其他 : 不適用
Others

[220] 提交日期 : 28-05-2021
Date of Filing:

[320] 聲稱具有優先權的日期 : 不適用
Date of Priority Claimed:

[310] 優先權申請編號 : 不適用
Priority Application Number:

[340] 聲稱具有優先權 (部分) : 不適用
Priority Claim Details:

[330] 優先權申請的 不適用
國家、地區、地方 :
Country, territory, area of
Priority Applications:

[210] 商標申請編號 : 305641281
Application No.:

[540] 商標 : **MAMMOVISTA B.smart**
Mark:

[550] 商標種類 : Ordinary
Mark Type:
一系列商標 : NO
Series Mark:

[571] 商標描述 : N/A
Mark Description:

[730] 註冊申請人的姓名 / 名稱、地址 : Siemens Healthcare GmbH
Applicant(s) ' Henkestr. 127
Name,Address:

91052 Erlangen
GERMANY

- [740/ 註冊申請人的送達地址 : DEACONS
750] Applicant's Address for 5th Floor,
Service: Alexandra House Central
HONG KONG
- [511] 類別編號 : 9,42
Class(es) No(s) .:
- [511] 貨品 / 服務說明 : Class 9:
Specification: Recorded and downloadable software, in
particular software for use in connection with
medical imaging devices; recorded and
downloadable software as a component of
medical imaging devices; computer software
integrated into a medical imaging device for
monitoring, recording, analyzing and storing
medical image data and for configuring,
editing, organizing and updating imaging
protocols.
Class 42:
Software as a service (SaaS) for use in
connection with medical imaging devices;
software as a service (SaaS) for monitoring,
recording, analyzing and storing medical image
data and for configuring, editing, organizing
and updating imaging protocols.
- [526] 卸棄 : N/A
Disclaimer:
- [529] 限制 : N/A
Limitation:
- [527] 條件 : N/A
Condition:
其他 : N/A
Others
- [220] 提交日期 : 31-05-2021
Date of Filing:
- [320] 聲稱具有優先權的日期 : 11-01-2021
Date of Priority Claimed:
- [310] 優先權申請編號 : 018373440
Priority Application Number:
- [340] 聲稱具有優先權 (部分) : N/A
Priority Claim Details:
- [330] 優先權申請的 EUROPEAN UNION
國家、地區、地方 :
Country, territory, area of
Priority Applications:
-
- [210] 商標申請編號 : 305664420
Application No.:

- [540] 商標 :
Mark:
- # Wacoal
- [550] 商標種類 : Ordinary
Mark Type:
一系列商標 : NO
Series Mark:
- [571] 商標描述 : N/A
Mark Description:
- [730] 註冊申請人的姓名 / 名稱、地址 : WACOAL CORP.
Applicant(s) ' 29, Nakajima-cho, Kisshoin,
Name,Address: Minami-ku, Kyoto-shi, Kyoto, JAPAN 601-8530
JAPAN
- [740/ 註冊申請人的送達地址 : CONPAK INTELLECTUAL PROPERTY LIMITED
750] Applicant's Address for Rooms 05-15, 13A/F, South Tower, World Finance
Service: Centre,
Harbour City, 17 Canton Road, Tsim Sha Tsui,
Kowloon
HONG KONG
- [511] 類別編號 : 9
Class(es) No(s) .:
- [511] 貨品 / 服務說明 : Class 9:
Specification: Computer software applications, downloadable;
Application software for mobile information
terminals; Application software; Application
program; Electronic machines, apparatus and
their parts; Telecommunication machines and
apparatus; Personal digital assistants; Game
programs for arcade video game machines; Game
programs for home video game machines;
Electronic circuits and CD-ROMs recorded with
programs for hand-held games with liquid
crystal displays; Phonograph records;
Downloadable music files; Downloadable image
files; Recorded video discs and video tapes;
Electronic publications; Compact discs [read-
only memory].
- [526] 卸棄 : N/A
Disclaimer:
- [529] 限制 : N/A
Limitation:
- [527] 條件 : N/A
Condition:
其他 : N/A
Others
- [220] 提交日期 : 22-06-2021
Date of Filing:
- [320] 聲稱具有優先權的日期 : N/A
Date of Priority Claimed:
- [310] 優先權申請編號 : N/A

Priority Application Number:

[340] 聲稱具有優先權 (部分): N/A

Priority Claim Details:

[330] 優先權申請的 N/A

國家、地區、地方:

Country, territory, area of

Priority Applications:

[210] 商標申請編號: 305670874

Application No.:

[540] 商標:

Mark:



[550] 商標種類: Ordinary

Mark Type:

一系列商標: NO

Series Mark:

[571] 商標描述: N/A

Mark Description:

[730] 註冊申請人的姓名 / 名稱、地址: Berry Palmer & Lyle Limited

Applicant(s) ' Name,Address: 52 Lime Street,
LONDON, EC3M 7AF,
UNITED KINGDOM

[740/ 註冊申請人的送達地址: ELLALAN

750] Applicant's Address for 26th and 28th Floors, The Hennessy,
Service: 256 Hennessy Road, Wanchai,
HONG KONG

[511] 類別編號: 9, 35, 36, 38, 42, 45

Class(es) No(s) .:

[511] 貨品 / 服務說明: Class 9:

Specification: Computer software platforms, databases,
programmes and applications; Computer software
platforms, programmes and applications in the
field of insurance and insurance brokerage
services and insurance risk analysis;
interactive database and platform software;
downloadable electronic publications;
podcasts.

Class 35:

Business management services; business
administration services; business risk
analysis and investigation services; business
data analysis; business risk management
consultancy; business management services,

business administration services, business analysis and investigation services, in the field of insurance, insurance brokerage services and insurance risk analysis; business services relating to insurance; promotion of insurance services on behalf of third parties; business management of insurance agencies and brokers; the bringing together for the benefit of others of a variety of insurance services and business risk analysis services, enabling customers to conveniently view and purchase those services; administrative services relating to referrals for insurance companies; economic forecasting, economic information services, economic studies for business purposes and for business risk management and assessment purposes; drawing up of business risk and analysis reports; computerised database management; compilation of databases; systemisation of information into databases; subscription to database services; compilation of political statistics; all of the aforesaid also provided online via the Internet or other electronic interactive platforms; advisory, consultancy and information services relating to all the aforesaid.

Class 36:

Insurance services; business and commercial insurance services; investment insurance; political risk insurance services; credit risk insurance services; credit scoring services; credit reporting; financial assessment of company credit; insurance risk management; credit risk management; underwriting services; insurance underwriting; insurance brokerage; brokerage services in the field of insurance and insurance risk analysis; brokerage; reinsurance brokerage; credit brokerage; insurance research and investigations; insurance claims adjustment; insurance loss assessment; financial evaluation for insurance purposes; financial analysis; financial data analysis; financial evaluation; financial management; financial portfolio management services; financial economic services, economic studies for financial purposes, economic financial research services, financial performance analysis and assessment for the purposes of financial risk management and assessment; insurance and financial information and consultancy services; financial risk assessment and financial risk consultancy services; insurance and financial risk assessment and consultancy services; financial risk management services; Inspection services relating to insurance, insurance

claims and insurance risk; analysis services relating to insurance, insurance claims and insurance risks; extended warranty insurance services; all of the aforesaid also provided online via the Internet or other electronic interactive platforms; information, advisory and consultancy services relating to the aforesaid.

Class 38:

Providing user access to platforms, databases and global computer networks; Providing user access to platforms, databases and global computer networks in the field of insurance, insurance brokerage services and insurance risk analysis; rental and leasing of access time to a computer database and platform; online transmission of electronic publications; communication by online blogs; podcasting services; information, advisory and consultancy services relating to the aforesaid.

Class 42:

Software as a Service (SaaS); software as a service (SaaS) in the field of insurance and insurance brokerage services and insurance risk analysis; Platform as a Service (PaaS); platform as a service (PaaS) in the field of insurance and insurance brokerage services and insurance risk analysis; creation and hosting of software platforms on the internet or other interactive electronic platforms; design and development of computer software, software platforms and databases; design and development of computer software, software platforms and databases in the field of insurance and insurance brokerage services and insurance risk analysis; design, maintaining and updating of databases; providing temporary use of online non-downloadable software; Certification services relating to insurance, insurance claims and insurance risk; quality control services relating to insurance, insurance claims and insurance risks; quality assurance services relating to insurance, insurance claims and insurance risk; all of the aforesaid also provided online via the Internet or other electronic interactive platforms; information, advisory and consultancy services relating to the aforesaid.

Class 45:

Testing services (security services) relating to insurance, namely to reduce insurance claims and insurance risks; investigation services relating to insurance claims; political research and analysis; all of the

aforesaid also provided online via the Internet or other electronic interactive platforms; information, advisory and consultancy services relating to the aforesaid.

- [526] 卸棄: N/A
Disclaimer:
- [529] 限制: N/A
Limitation:
- [527] 條件: N/A
Condition:
其他: N/A
Others
- [220] 提交日期: 28-06-2021
Date of Filing:
- [320] 聲稱具有優先權的日期: 09-03-2021
Date of Priority Claimed:
- [310] 優先權申請編號: UK00003607066
Priority Application Number:
- [340] 聲稱具有優先權 (部分): N/A
Priority Claim Details:
- [330] 優先權申請的
國家、地區、地方: UNITED KINGDOM
Country, territory, area of
Priority Applications:

- [210] 商標申請編號: 305671071AB
Application No.:

- [540] 商標:
Mark:



- [550] 商標種類: 一般商標
Mark Type:
一系列商標: 否
Series Mark:

- [571] 商標描述 : 不適用
Mark Description:
- [730] 註冊申請人的姓名 / 名稱、地址 : 香港木鏈網國際產業鏈有限公司
Applicant(s) ' 香港
Name, Address: 荔枝角
金百盛中心 32 樓 3205 室
[740/ 註冊申請人的送達地址 : 標準香港企業註冊服務有限公司
750] Applicant's Address for 香港
Service: 九龍旺角彌敦道 678 號
華僑商業中心 15C
9, 17, 20
- [511] 類別編號 : 9, 17, 20
Class(es) No(s) .:
- [511] 貨品 / 服務說明 : 類別 9:
Specification: 消防人員用石棉擋板, 消防工程建設用阻燃板。
類別 17:
絕緣、隔熱、隔音用材料、隔熱耐火材料, 絕緣耐火材料, 橡
膠製耐火板。
類別 20:
木製家具隔板, 木製家具阻燃板。
- [526] 卸棄 : 不適用
Disclaimer:
- [529] 限制 : 不適用
Limitation:
- [527] 條件 : 不適用
Condition:
其他 : 不適用
Others
- [220] 提交日期 : 29-06-2021
Date of Filing:
- [320] 聲稱具有優先權的日期 : 不適用
Date of Priority Claimed:
- [310] 優先權申請編號 : 不適用
Priority Application Number:
- [340] 聲稱具有優先權 (部分) : 不適用
Priority Claim Details:
- [330] 優先權申請的 不適用
國家、地區、地方 :
Country, territory, area of
Priority Applications:
-
- [210] 商標申請編號 : 305673178
Application No.:

[540] 商標 :
Mark:



MasterClass

[550] 商標種類 : Ordinary
Mark Type:
一系列商標 : NO
Series Mark:

[571] 商標描述 : N/A
Mark Description:

[730] 註冊申請人的姓名 / 名稱、地址 : Yanka Industries, Inc.
Applicant(s) ' 660 4TH STREET #443 SAN FRANCISCO,
Name,Address: CALIFORNIA 94107
UNITED STATES OF AMERICA

[740/ 註冊申請人的送達地址 : CHANG TSI AND PARTNERS INTELLECTUAL PROPERTY
750] Applicant's Address for (HK) LIMITED
Service: LEVEL 19 TWO INT'L FINANCE CTR
8 FINANCE ST CENTRAL
HONG KONG

[511] 類別編號 : 9,35,38,41,42,45
Class(es) No(s) .:

[511] 貨品 / 服務說明 : Class 9:
Specification: Downloadable videos provided online for entertainment purposes; software for streaming audiovisual and multimedia content via the internet and global communications networks; software for streaming audiovisual and multimedia content to mobile digital electronic devices; software for searching, organizing, and recommending multimedia content; software for purchasing, browsing, searching, accessing, and viewing videos and multimedia content; computer software featuring learning activities; software for hosting live audio conversations; downloadable documents, workbooks and multimedia files; software for users to create profiles and enter, post, share, invite, bookmark, access, and search multimedia content; software for creating an on-line community for users to participate in discussions, get feedback from others, offer and accept services, form contracts, form virtual communities, and engage in social networking services; software for providing users with badges or status recognition for achieving certain milestones or performing tasks
Class 35:

Providing incentive and rewards programs to users through issuance and processing of prizes; administration of a loyalty program; online retail store featuring gift cards and gift codes.

Class 38:

Video-on-demand transmission services; streaming of images, audio, visual, audiovisual and multimedia works via the internet, and wireless networks; providing telecommunication connectivity services for transfer of images, messages, audio, visual, audiovisual and multimedia works; telecommunications services, namely, electronic transmission of data, graphics, sound and video by means of the Internet; providing internet chatrooms; providing online community forums for transmission of messages among computer users; providing online community forums for users to post, search, watch, share, critique, rate, and comment on messages, comments, multimedia content, videos, audio content, images, text, information, and user-generated and non-user generated content; computer services, namely, providing on-line facilities for real-time interaction with other computer users concerning topics of general interest; providing on-line chat rooms and electronic bulletin boards for transmission of messages among users, including in the field of general interest; transmission of messages, data and content via global computer network and other computer and communications networks.

Class 41:

Entertainment services providing online non-downloadable videos; entertainment services in the nature of ongoing video series in the fields of arts & entertainment, music, writing, food, cooking, business, design, style, sports, gaming, science, technology, home, lifestyle, community, government, health, wellness; entertainment services in the nature of development, creation, production, distribution, and post-production of videos and multimedia entertainment content; providing on-line non-downloadable articles in the field of arts & entertainment, music, writing, food, cooking, business, design, style, sports, gaming, science, technology, home, lifestyle, community, government, health, wellness

Class 42:

Providing non-downloadable software for streaming audiovisual and multimedia content via the internet and global communications

networks; providing non-downloadable software for streaming audiovisual and multimedia content to mobile digital electronic devices; providing non-downloadable software for searching, organizing, and recommending multimedia content; providing non-downloadable software for purchasing, browsing, searching, accessing, and viewing videos and multimedia content; providing non-downloadable computer software featuring learning activities; providing non-downloadable software for hosting live audio conversations; providing non-downloadable documents, workbooks and multimedia files; providing non-downloadable software for users to create profiles and enter, post, share, invite, bookmark, access, and search multimedia content; providing non-downloadable software for creating an on-line community for users to participate in discussions, get feedback from others, offer and accept services, form contracts, form virtual communities, and engage in social networking services; providing non-downloadable software for providing users with badges or status recognition for achieving certain milestones or performing tasks

Class 45:

Online social networking services; online social networking services accessible by means of downloadable mobile applications.

- [526] 卸棄 : N/A
Disclaimer:
- [529] 限制 : N/A
Limitation:
- [527] 條件 : N/A
Condition:
其他 : N/A
Others
- [220] 提交日期 : 30-06-2021
Date of Filing:
- [320] 聲稱具有優先權的日期 : N/A
Date of Priority Claimed:
- [310] 優先權申請編號 : N/A
Priority Application Number:
- [340] 聲稱具有優先權 (部分) : N/A
Priority Claim Details:
- [330] 優先權申請的 : N/A
國家、地區、地方 :
Country, territory, area of
Priority Applications:

[210] 商標申請編號 : 305710527
Application No.:

[540] 商標 :
Mark:

CURINOS

[550] 商標種類 : Ordinary
Mark Type:
一系列商標 : NO
Series Mark:

[571] 商標描述 : N/A
Mark Description:

[730] 註冊申請人的姓名 / 名稱、地址 :
Applicant(s) ' Name,Address: Novantas, Inc.
485 Lexington Avenue, 20th Floor
New York New York, 10017
UNITED STATES OF AMERICA

[740/ 註冊申請人的送達地址 :
750] Applicant's Address for
Service: BENNY KONG & TSAI
Unit 19B, Overseas Trust Bank Building
No. 160 Gloucester Road, Wanchai
HONG KONG

[511] 類別編號 : 9,16,35,36,38,41,42
Class(es) No(s) .:

[511] 貨品 / 服務說明 :
Specification: Class 9:
Scientific, research, navigation, surveying,
photographic, cinematographic, audiovisual,
optical, weighing, measuring, signalling,
detecting, testing, inspecting, life-saving
and teaching apparatus and instruments;
apparatus and instruments for conducting,
switching, transforming, accumulating,
regulating or controlling the distribution or
use of electricity; apparatus and instruments
for recording, transmitting, reproducing or
processing sound, images or data; recorded and
downloadable media, computer software, blank
digital or analogue recording and storage
media; mechanisms for coinoperated apparatus;
cash registers, calculating devices; computers
and computer peripheral devices; diving suits,
divers' masks, ear plugs for divers, nose
clips for divers and swimmers, gloves for
divers, breathing apparatus for underwater
swimming; fire-extinguishing apparatus;
computer application software; business
intelligence software; business management
software; business technology software;
business performance management [bpm]
software; software for automated business
process discovery (ABPD); data networks;
networking devices; network management
software; computer network hubs; platform
software; real-time collaborative editing
[RTCE] platforms [software]; market

forecasting software; downloadable electronic reports; downloadable electronic newsletters; computer software for analysing market information; computer software for processing market information; interactive databases; interactive computer software; interactive DVDs; data exchange units; data collection apparatus; data mining software; apparatus for recording, transmission, processing and reproduction of sound, images, text or data; backup drives for computers; communications software for connecting global computer networks; computer graphics software; computer hardware; computer programs for data processing; computer programs for document management; computer software for creating searchable databases; computer software for database management; computer software for data capture and processing; data processing equipment; data communication apparatus and instruments; data loggers; data storage devices; cases for data storage devices; digital books, downloadable; downloadable multimedia files; downloadable podcasts; electronic publications, downloadable; downloadable electronic publications in the nature of magazines; encoders; e-readers; instant messaging software; multimedia projectors; software for the analysis of business data; software for the analysis of research data; intelligent gateways for real-time data analysis; analytics and intelligent research management tools; analysis software in relation to identifying research performance; augmented reality software for use in mobile devices for integrating electronic data with real world environments; recorded content; media content; databases for business and market research, scientific and technological research, analysis, development and information; databases for business and market research, analysis, development and information in the fields of Education, Finance, Agriculture, Construction, Technology, Information Technology (IT), Communications, Information Technology (IT) Security, Media and Advertising, Energy and Natural Resources, Biochemistry, Aerospace, Life Science, Maritime and Economics; computer software applications for business and market research, scientific and technological research, analysis, development and information; computer software applications for business and market research, analysis, development and information in the fields of Education, Finance, Agriculture, Construction,

Technology, Information Technology (IT), Communications, Information Technology (IT) Security, Media and Advertising, Energy and Natural Resources, Biochemistry, Aerospace, Life Science, Maritime and Economics; computer software platforms for business and market research, scientific and technological research, analysis, development and information; computer software platforms for business and market research, analysis, development and information in the fields of Education, Finance, Agriculture, Construction, Technology, Information Technology (IT), Communications, Information Technology (IT) Security, Media and Advertising, Energy and Natural Resources, Biochemistry, Aerospace, Life Science, Maritime and Economics; computer software for business and market research, scientific and technological research, analysis, development and information; computer software for business and market research, analysis, development and information in the fields of Education, Finance, Agriculture, Construction, Technology, Information Technology (IT), Communications, Information Technology (IT) Security, Media and Advertising, Energy and Natural Resources, Biochemistry, Aerospace, Life Science, Maritime and Economics; electronic publications, downloadable, in relation to business and market research, scientific and technological research, analysis, development and information; electronic publications, downloadable, in relation to business and market research, analysis, development and information in the fields of Education, Finance, Agriculture, Construction, Technology, Information Technology (IT), Communications, Information Technology (IT) Security, Media and Advertising, Energy and Natural Resources, Biochemistry, Aerospace, Life Science, Maritime and Economics; parts and fittings for all of the aforesaid.

Class 16:

Paper and cardboard; printed matter; bookbinding material; photographs; stationery and office requisites, except furniture; adhesives for stationery or household purposes; drawing materials and materials for artists; paintbrushes; instructional and teaching materials; plastic sheets, films and bags for wrapping and packaging; printers' type, printing blocks; printed matter; printed publications; leaflets; booklets; magazines; newsletters; newspapers; prospectuses;

pamphlets; periodicals; planners [printed matter]; bookmarkers; books; brochures; business record books; calendars; calendar refills; clip boards; diaries; document holders; educational books; files [office requisites]; flow sheets [printed matter]; flyers; holders for notepads; information books; manuals [handbooks]; memorandum books; mounting boards; paper signboards; paper signs; postcards; posters; printed advertisements; printed matter for instructional purposes; printed seminar notes; promotional publications; telephone books; writing books; writing materials; writing paper; printed matter, including printed publications, in relation to business and market research, scientific and technological research, analysis, development and information; printed matter, including printed publications, in relation to business and market research, analysis, development and information in the fields of Education, Finance, Agriculture, Construction, Technology, Information Technology (IT), Communications, Information Technology (IT) Security, Media and Advertising, Energy and Natural Resources, Biochemistry, Aerospace, Life Science, Maritime and Economics; parts and fittings for all of the aforesaid.

Class 35:

Advertising; business management; business administration; office functions; market planning; economic forecasting and analysis; market forecasting; market intelligence services; providing market research statistics; business planning; business analysis; business supervision; business networking; business expertise; business investigation; business project management; business efficiency studies; subscriptions to electronic journals; arranging subscriptions to information media; arranging subscriptions to publications for others; news clipping services; expert evaluations and reports relating to business matters; business profit analysis; strategic business analysis; economic analysis for business purposes; business risk assessment services; advertising and commercial information services; arranging and conducting of advertising events; arranging and conducting of trade fairs and exhibitions for business and advertising purposes; business feasibility studies; systematization and analysis of business data; business information and appraisal services; business information management; compilation

of business directories; compilation of statistical data; consumer research; dissemination of business data reports for promotional and investment purposes; database management; data processing; on-line data processing services; automated data processing; data processing verification; document indexing services; provision of commercial information from online databases; interviewing for market research purposes; opinion polling; market surveys, analysis and studies; collection of market research information; analysis of market research data and statistics; detailed business analytics in relation to journals; preparation of market analysis reports; preparation of marketing reports; preparation and drafting of publicity material; providing business information via a web site; providing business information via global computer networks and the Internet; provision of foreign trade information; business information, advisory and consulting services; compilation of information into computer databases; marketing services; commercial information; trade information; business information; data collection services; business research; advertising research; business strategy services; sales planning services; provision of business reports; arranging and conducting of trade fairs and exhibitions for business and advertising purposes in relation to business and market research, scientific and technological research, analysis and development; arranging and conducting of trade fairs and exhibitions for business and advertising purposes in relation to business and market research, analysis, development and information in the fields of Education, Finance, Agriculture, Construction, Technology, Information Technology (IT), Communications, Information Technology (IT) Security, Media and Advertising, Energy and Natural Resources, Biochemistry, Aerospace, Life Science, Maritime and Economics; business and market research, analysis and data compilation in the fields of Education, Finance, Agriculture, Construction, Technology, Information Technology (IT), Communications, Information Technology (IT) Security, Media and Advertising, Energy and Natural Resources, Biochemistry, Aerospace, Life Science, Maritime and Economics; data processing in relation to business and market research, scientific and technological research, analysis, development and

information information; data processing in relation to business and market research, analysis, development and information in the fields of Education, Finance, Agriculture, Construction, Technology, Information Technology (IT), Communications, Information Technology (IT) Security, Media and Advertising, Energy and Natural Resources, Biochemistry, Aerospace, Life Science, Maritime and Economics; advisory, consultancy and management services relating to the aforesaid services.

Class 36:

Insurance; financial affairs; monetary affairs; real estate affairs; finance services; financial, monetary and banking services; financial information and evaluations; financial information, data, advice and consultancy services; financial research services; research services relating to banking; research services relating to investment; providing funding for research institutions; financial research in the field of risk management; financial solvency investigations; financial rating and provision of credit reports; preparation of financial reports relating to the financing of building projects; financial data analysis; preparation and analysis of financial reports; computerised financial data services; financial database services relating to stocks; financial database services relating to shares; financial information services provided by access to a computer database; financial data base services; computerised financial analysis; investment analysis; financial evaluation and analysis; financial information management and analysis services; financial analysis services relating to investments; provision of pricing information about money market rates; providing information and analysis via the internet in the field of financial investments; providing information relating to the trading of securities and securities index futures in overseas markets; arranging business fundraising activities; financial management for businesses; financing services for sponsoring businesses; business appraisals for financial valuation; financial market information services; conducting of capital market transactions; insurance underwriting and appraisals and assessment for insurance purposes; trading of overseas market securities futures; organisation of trading markets for financial services; corporate

finance; online banking; merchant banking; international banking; financial economic analysis; brokerage services in financial markets; information, advisory and consultancy services relating to the aforesaid.

Class 38:

Telecommunications; broadcasting of audio-visual and multimedia content via the Internet; netcasting [broadcasting over a global computer network]; computer aided transmission of information; computer aided transmission of data; interactive transmission of multi-media material via digital networks; network conferencing services; providing access to a global computer network; providing access to computer programs on data networks; providing access to information via data networks; providing online forums; providing access to a global computer network, on-line sites, databases and portals containing information on a wide range of topics; providing access to content; streaming of data; transfer and dissemination of information and data via computer networks and the Internet; podcasting; transmission of webcasts; data communication services; leasing of access time to a computer database; transmission of information for business purposes; providing user access to platforms on the internet; electronic transmission of news; mobile media services in the nature of electronic transmission of entertainment media content; telecommunication services provided via platforms and portals on the internet and other media; providing access to a global computer network, on-line sites, databases and portals containing information in relation to business and market research, scientific and technological research, analysis and development; providing access to a global computer network, on-line sites, databases and portals containing information in relation to business and market research, analysis, development and information in the fields of Education, Finance, Agriculture, Construction, Technology, Information Technology (IT), Communications, Information Technology (IT) Security, Media and Advertising, Energy and Natural Resources, Biochemistry, Aerospace, Life Science, Maritime and Economics; information, advisory, consultancy and management services relating to the aforesaid services; providing access to software for analysing financial data and generating reports.

Class 41:

Education; providing of training; entertainment; sporting and cultural activities; publishing services; news reporting; arranging and conducting of webinars, colloquiums, conferences, congresses, seminars, symposiums and training workshops; arranging and conducting of exhibitions for cultural or educational purposes; arranging and conducting of cultural events; organization of competitions for education or entertainment; publication services; editing of periodicals, journals and publications; publication of texts, leaflets, periodicals, prospectuses, booklets, brochures, fact sheets, magazines and books; publication of data reports, analysis and infographics; publication of scientific information journals; multimedia publishing of printed matter; providing electronic publications, not downloadable; providing information relating to multimedia publishing; adult education; adult training; arranging and conducting of courses for adults; arranging and conducting of in-person forums; educational examination; vocational training; practical training [demonstration]; production of educational materials; production of video podcasts; providing on-line training; providing on-line tutorials; provision of training facilities; arranging and conducting of webinars, colloquiums, conferences, congresses, seminars, symposiums and training workshops in relation to business and market research, scientific and technological research, analysis and development; arranging and conducting of webinars, colloquiums, conferences, congresses, seminars, symposiums and training workshops in relation to business and market research, analysis, development and information in the fields of Education, Finance, Agriculture, Construction, Technology, Information Technology (IT), Communications, Information Technology (IT) Security, Media and Advertising, Energy and Natural Resources, Biochemistry, Aerospace, Life Science, Maritime and Economics; providing electronic publications, not downloadable in relation to business and market research, scientific and technological research, analysis and development; providing electronic publications, not downloadable in relation to business and market research, analysis, development and information in the fields of Education, Finance, Agriculture, Construction, Technology, Information Technology (IT), Communications, Information

Technology (IT) Security, Media and Advertising, Energy and Natural Resources, Biochemistry, Aerospace, Life Science, Maritime and Economics; publishing services in relation to business and market research, scientific and technological research, analysis and development; publishing services in relation to business and market research, analysis, development and information in the fields of Education, Finance, Agriculture, Construction, Technology, Information Technology (IT), Communications, Information Technology (IT) Security, Media and Advertising, Energy and Natural Resources, Biochemistry, Aerospace, Life Science, Maritime and Economics; information, advisory, consultancy and management services relating to the aforesaid services.

Class 42:

Scientific and technological services and research and design relating thereto; industrial analysis and industrial research services; design and development of computer hardware and software; hosting of digital content, namely, on-line journals and blogs; hosting multimedia educational content; research, testing and analysis services; analysis of technical data; preparation of technical reports; technological research and studies; providing information and data relating to scientific and technological research and development; providing software for generating data reports for use in publishing and printing; computer software design; configuration of computer networks; configuration of computer software; creation, design, development, and maintenance of web sites; data encryption and decoding services; data migration services; design and development of computer software for evaluation and calculation of data; design and development of systems for data input, output, processing, display and storage; design and development of testing and analysis methods; design services relating to infographics and presentation of data; design services relating to printed matter; development and testing of computing methods, algorithms and software; digital compression of computer data; hosting computer application software in the field of knowledge management for creating searchable databases of information and data; hosting weblogs [blogs]; hosting web sites; industrial research and analysis services; on-line data storage; providing scientific research information and results from an on-line

searchable database; providing non-downloadable software development tools; providing temporary use of web-based applications; remote computer backup services; research in the field of data processing technology; testing of computer software; installation of database software; leasing of data processing systems; providing search engines for obtaining data on a global computer network; software interface development in relation to collating, organising and analysing of business data and information; providing science technology information; expert reporting services relating to technology; development of new technology for others; professional consultancy relating to marine technology; rental of science and technology equipment; research in the field of telecommunications technology; assessment in the field of technology provided by engineers; scientific analysis; biochemical analysis; software design and development services in relation to business and market research, scientific and technological research, analysis and development; software design and development services in relation to business and market research, analysis, development and information in the fields of Education, Finance, Agriculture, Construction, Technology, Information Technology (IT), Communications, Information Technology (IT) Security, Media and Advertising, Energy and Natural Resources, Biochemistry, Aerospace, Life Science, Maritime and Economics; technological research, testing and analysis services in the fields of Education, Finance, Agriculture, Construction, Technology, Information Technology (IT), Communications, Information Technology (IT) Security, Media and Advertising, Energy and Natural Resources, Biochemistry, Aerospace, Life Science, Maritime and Economics; information, advisory, consultancy and management services relating to the aforesaid services.

- [526] 卸棄 : N/A
Disclaimer:
- [529] 限制 : N/A
Limitation:
- [527] 條件 : N/A
Condition:
- 其他 : N/A
Others
- [220] 提交日期 : 06-08-2021
Date of Filing:

[320] 聲稱具有優先權的日期 : 29-07-2021
Date of Priority Claimed:
[310] 優先權申請編號 : UK00003675172
Priority Application Number:
[340] 聲稱具有優先權 (部分) : N/A
Priority Claim Details:
[330] 優先權申請的 UNITED KINGDOM
國家、地區、地方 :
Country, territory, area of
Priority Applications:

[210] 商標申請編號 : 305742964
Application No.:

[540] 商標 : A
Mark:

MUSTO

B

MUSTO

[550] 商標種類 : Ordinary
Mark Type:

一系列商標 : YES

Series Mark:

[571] 商標描述 : N/A

Mark Description:

[730] 註冊申請人的姓名 / 名稱、地址 : Musto Limited
Applicant(s) ' International House, St Katharine Docks
Name,Address: St. Katharine's Way, London E1W 1UN
UNITED KINGDOM

[740/ 註冊申請人的送達地址 : Eversheds Sutherland

750] Applicant's Address for 37/F, ONE TAIKOO PLACE, TAIKOO PLACE
Service: 979 KING'S ROAD, QUARRY BAY
HONG KONG

[511] 類別編號 : 9,18,25,35

Class(es) No(s) .:

[511] 貨品 / 服務說明 : Class 9:
Specification: Nautical apparatus and instruments; life saving apparatus and equipment, life jackets, life belts; buoyancy aids, buoyancy jackets; survival blankets; protective clothing, vests, jackets and gloves, for the prevention against injury, accidents, irradiation and fire; protective headgear; protective footwear; protective eye pieces; protective knee pads;

protective masks; protective body armour and shields; protection devices for personal use against accidents; diving suits; divers' masks; ear plugs for divers; nose clips for divers and swimmers; gloves for divers; breathing apparatus, except for artificial respiration; riding protective helmets; reflective articles for wear, for the prevention of injury and accidents; eyewear, sports eyewear, sunglasses, protective eyewear, field glasses, goggles for sports, binoculars; cases for eyewear, spectacles, sports eyewear, protective eyewear, sunglasses, field glasses, goggles for sports, binoculars; retainers for eyewear, spectacles, sports eyewear, protective eyewear, sunglasses, field glasses, goggles for sports, binoculars; earphones; headphones; emergency and rescue flares; safety belts and harnesses, other than for vehicles or sports purposes; time recording apparatus; wearable activity trackers; network communication device; marine and directional compasses; telescopes; binoculars; navigational apparatus and instruments; Global Positioning System (GPS) apparatus and instruments; signal lanterns; laptop cases, computer cases, covers for tablet computers, covers for mobile phones; battery packs; solar battery chargers; portable solar panels for generating electricity and charging electrical devices; dog whistles, signalling whistles, whistle alarms and sport whistles; parts and fittings for all the aforesaid goods; electronic publications, downloadable; downloadable mobile phone software applications; scientific, research, navigation, surveying, photographic, cinematographic, audiovisual, optical, weighing, measuring, signalling, detecting, testing, inspecting, life-saving and teaching apparatus and instruments; apparatus and instruments for conducting, switching, transforming, accumulating, regulating or controlling the distribution or use of electricity; apparatus and instruments for recording, transmitting, reproducing or processing sound, images or data; recorded and downloadable media, computer software, blank digital or analogue recording and storage media; mechanisms for coin-operated apparatus; cash registers, calculating devices; computers and computer peripheral devices; fire-extinguishing apparatus.

Class 18:

Leather and imitations of leather; fur; animal skins and hides; luggage, bags, carrying bags,

rucksacks, backpacks, trunks and travelling bags, bags for climbers, bags for campers, bags for mountaineers, game bags (hunting accessories), hunting bags, hip bags, chest bags and bags for sports, beach bags, handbags, shopping bags, waist bags, tool bags, empty, wash bags, valises, suitcases, briefcases, purses, pocket wallets; cases of leather or leatherboard; business card cases; key cases; travelling sets [leatherware]; umbrellas and parasols; walking sticks; shooting sticks; hiking sticks; mountaineering sticks; whips, harness and saddlery; leather straps and leashes; belts (made of leather); shoulder belts [straps] of leather; collars, clothing and leashes for animals.

Class 25:

Clothing; outerclothing; jackets; safari jackets; jerseys [clothing]; overalls; overcoats; sweaters; pullovers; coats; vests; gilets; Tee-shirts; parkas; knitwear; fleeces; fleece clothing; waistcoats; trousers; shorts; tights; underclothing; boxer shorts; beach clothes; down clothing; children's clothing; infrared clothing, other than for medical purposes; top coats; waterproof clothing; waterproof jackets; sportswear; sports jerseys; sports jackets; sports singlets; wind resistant jackets; windbreaker; wet suits for water-skiing; swimsuits; wetsuits for water sports; raincoat; footwear; boots; slippers; beach shoes; sandals; shoes; sports shoes; non-slipping devices for footwear; fittings of metal for footwear; climbing shoes; mountain climbing shoes (with metal spikes); rain boots; aqua shoes; headwear, hats, caps, visors; headbands [clothing]; stockings; socks; hosiery; girdles; leggings [leg warmers]; leg warmers; gloves [clothing], fingerless gloves, ski gloves, mittens; scarves; bandanas [neckerchiefs]; belts [clothing]; salopettes for sailing; clothing, footwear and headgear for sailing, water sports, shooting, hunting, hiking, riding and equestrian; waterproof anorak.

Class 35:

Retail and wholesale services, mail order, catalogue services, on-line sale services and distributorship of goods in relation to clothing, outerclothing, jackets, safari jackets, jerseys [clothing], overalls, overcoats, sweaters, pullovers, coats, vests, gilets, Tee-shirts, parkas, knitwear, fleeces, fleece clothing, waistcoats, trousers, shorts, tights, underclothing, boxer shorts, beach clothes, down clothing, children's clothing,

infrared clothing, top coats, waterproof clothing, waterproof jackets, sportswear, sports jerseys, sports jackets, sports singlets, wind resistant jackets, windbreaker, wet suits for water-skiing, swimsuits, wetsuits for water sports, raincoat, footwear, boots, slippers, beach shoes, sandals, shoes, sports shoes, non-slipping devices for footwear, fittings of metal for footwear, climbing shoes, mountain climbing shoes (with metal spikes), rain boots, aqua shoes, headwear, hats, caps, visors, headbands [clothing], stockings, socks, hosiery, girdles, leggings [leg warmers], leg warmers, gloves [clothing], fingerless gloves, ski gloves, mittens, scarves, bandanas [neckerchiefs], belts [clothing], salopettes for sailing, clothing, footwear and headgear for sailing, water sports, shooting, hunting, hiking, riding and equestrian; retail and wholesale services, mail order, catalogue services, on-line sale services and distributorship of goods in relation to luggage, bags, carrying bags, rucksacks, backpacks, trunks and travelling bags, bags for climbers, bags for campers, bags for mountaineers, game bags (hunting accessories), hunting bags, hip bags, chest bags and bags for sports, beach bags, handbags, shopping bags, waist bags, tool bags, empty, wash bags, valises, suitcases, briefcases, purses, pocket wallets, passport holder (wallet), cases of leather or leatherboard, business card cases, key cases, travelling sets [leatherware], umbrellas and parasols, walking sticks, shooting sticks, hiking sticks, mountaineering sticks, whips, harness and saddlery, leather straps and leashes, belts (made of leather), shoulder belts [straps] of leather, collars, clothing and leashes for animals; retail and wholesale services, mail order, catalogue services, on-line sale services and distributorship of goods in relation to nautical apparatus and instruments, life saving apparatus and equipment, life jackets, life belts, buoyancy aids, buoyancy jackets and buoyancy smocks, survival blankets, protective clothing, vests, jackets and gloves, protective headgear, protective footwear, protective eye pieces, protective knee pads, protective masks, protective body armour and shields, protection devices for personal use against accidents, diving suits, divers' masks, ear plugs for divers, nose clips for divers and swimmers, gloves for divers, breathing apparatus, waterproof

anorak, riding hats and helmets, reflective articles for wear, eyewear, sports eyewear, sunglasses, protective eyewear, field glasses, goggles for sports, binoculars, cases for eyewear, spectacles, sports eyewear, protective eyewear, sunglasses, field glasses, goggles for sports, binoculars, retainers for eyewear, spectacles, sports eyewear, protective eyewear, sunglasses, field glasses, goggles for sports, binoculars, earphones, headphones, emergency and rescue flares, safety belts and harnesses, time recording apparatus, wearable activity trackers, network communication device, marine and directional compasses, telescopes, binoculars, navigational apparatus and instruments, GPS apparatus and instruments, signal lanterns, laptop cases, computer cases, covers for tablet computers, covers for mobile phones, battery packs, solar battery chargers, portable solar panels for generating electricity and charging electrical devices, dog whistles, signalling whistles, whistle alarms and sport whistles, parts and fittings for all the aforesaid goods; retail and wholesale services, mail order, catalogue services, on-line sale services and distributorship of goods in relation to precious metals and their alloys and goods of precious metals or coated therewith, jewellery, ornaments (jewellery), horological and chronometric instruments, wristwatches, clocks, drinking bottles, drinking vessels, straws for drinking, thermally insulated containers for food, heat insulated containers for beverages, containers for food and beverages; retail and wholesale services, mail order, catalogue services, on-line sale services and distributorship of goods in relation to games and playthings, gymnastic and sporting articles, sporting articles, hunting and fishing equipment, weapons and ammunition for hunting, gun slips and holders, bags, cases, belts and pouches for guns and rifles, bags, cases, belts and pouches for cartridges and ammunition, protective recoil body shields and pads, body recoil shields and pads for use in shooting and hunting, gun care and cleaning equipment; all the aforementioned services also available online; presentation of goods and communication media, for retail purposes; promotion of goods and services through sponsorship of sports events; sponsorship search; administration of consumer loyalty programs; franchising, namely providing business assistance in the

establishment and/or operation of retail stores, department stores, specialty stores, outlet stores and online stores; providing business assistance in relating to franchising; business consultation and advisory services relating to franchising; commercial administration of the licensing of the goods and services of others; advertising, marketing; business management; business administration; organisation of trade fairs; import-export agency services; sales promotion for others; procurement services for others [purchasing goods and services for other businesses]; office functions.

- [526] 卸棄 : N/A
Disclaimer:
- [529] 限制 : N/A
Limitation:
- [527] 條件 : N/A
Condition:
其他 : N/A
Others
- [220] 提交日期 : 10-09-2021
Date of Filing:
- [320] 聲稱具有優先權的日期 : N/A
Date of Priority Claimed:
- [310] 優先權申請編號 : N/A
Priority Application Number:
- [340] 聲稱具有優先權 (部分) : N/A
Priority Claim Details:
- [330] 優先權申請的
國家、地區、地方 : N/A
Country, territory, area of
Priority Applications:

[210] 商標申請編號 : 305744737
Application No.:

[540] 商標 :
Mark:



[550] 商標種類 : Ordinary

Mark Type:

一系列商標 : NO

Series Mark:

[571] 商標描述 : N/A

Mark Description:

[730] 註冊申請人的姓名 / 名稱、地址 :

Applicant(s)'

Name,Address:

Cisco Technology, Inc.
170 West Tasman Drive,
San Jose, California 95134,
UNITED STATES OF AMERICA

[740/ 註冊申請人的送達地址 :

750] Applicant's Address for
Service:MAYER BROWN
16th-19th Floors, Prince's Building
10 Chater Road, Central
HONG KONG

[511] 類別編號 :

Class(es) No(s) .:

9,35,38,41,42

[511] 貨品 / 服務說明 :

Specification:

Class 9:

Scientific, nautical, surveying, photographic, cinematographic, optical, weighing, measuring, signaling, checking (supervision), life-saving and teaching apparatus and instruments; apparatus and instruments for conducting, switching, transforming, accumulating, regulating or controlling electricity; apparatus for recording, transmission or reproduction of sound or images; magnetic data carriers, recording discs; compact discs; DVD's and other digital recording media; mechanisms for coin-operated apparatus; cash registers, calculating machines, data processing equipment, computers; Computer software; fire-extinguishing apparatus; downloadable computer software to facilitate the electronic transmission of information, data, documents, voice, and images over the Internet; downloadable computer software which allows users to participate in web-based meetings and classes, with access to data, documents, images and software applications through a web browser; downloadable computer software for accessing, viewing, and controlling remote computers and computer networks; downloadable electronic publications in the nature of articles, papers, and instructional materials in the fields of telecommunications, the Internet, training, business, sales, and marketing; computer software that facilitates collaboration among individuals and organizations; computer software for enabling users to communicate, collaborate, and share computer screens, desktops, data, electronic documents, video and applications via the Internet; software to enable uploading, posting, displaying, tagging, editing, organizing, and transmitting images and audiovisual works; software for

audio and video conferencing, video and voice communications, instant messaging, Voice over Internet Protocol (VoIP) communication services, application sharing, computer desktop sharing, presence management, document management, application integration; computer software for scheduling and managing calendars, contacts, online meetings; computer telephony software; call processing software for the transmission of audio, data, video, and voice traffic; computer software and hardware for sending, storing, managing, integrating and accessing text and voice messages via telephone, electronic mail, pagers, personal digital assistants, and internal and global computer networks; computer hardware and software for interconnecting, integrating, securing, managing, monitoring, and operating telephony and video conferencing systems; video and audio conferencing systems comprised of endpoint devices, namely, power access and Ethernet cable ports, IP phones, cameras, electronic display interfaces, video display monitors, lighting fixtures, audio speakers, microphones, and multimedia and video projectors; video and audio conferencing systems comprising endpoint devices, namely, power access and Ethernet cable ports, IP phones, cameras, electronic display interfaces, video display monitors, lighting fixtures, audio speakers, microphones, and multimedia and video projectors, chairs and conference table, and hardware and software for audio and video conferencing, all sold as a unit; headsets for use with computers; telephone headsets, wireless headsets for smartphones, telecommunications headsets; IP phones; video cameras; and, video monitors; computer software which allows users to participate in web-based meetings and classes and provides access to data, documents, images and software applications through a web browser; computer software that facilitates video and voice communications between parties.

Class 35:

Business consulting services; business consulting services in the field of web based events, conferences, training programs, learning programs, and seminars; business consulting services in the field of delivering web-based knowledge; business consulting services in the field of online collaboration and collaboration technologies; business consulting services in the fields of sales and

marketing; business project management services; business project management services, namely, development, set up, staging, production, recording, monitoring and follow-up for web based events, conferences, training programs, learning programs, and seminars; business meeting scheduling services; Public and market opinion polling; market studies; organization of exhibitions for commercial or advertising purposes; business investigations; public relations; sales promotion services for others; marketing services.

Class 38:

Telecommunication services, namely, transmission of information, data, documents, images and software applications via the Internet; electronic transmission of data and multimedia documents via computer terminals; telecommunication services, namely, providing web-based multimedia teleconferencing, videoconferencing, and online meeting services that allow simultaneous and asynchronous viewing, sharing, editing, and discussion of documents, data, and images by participants via a web browser; providing customers with online reports regarding the performance, effectiveness, and status of web-based teleconferences, videoconferences, and meetings; telecommunication services, namely, providing customers and their employees with secure remote access via the Internet to private computer networks; web-based real-time multimedia communication services via a website on the Internet for viewing, managing, editing and storing documents; telecommunications services, namely, facilitating online communications for collaboration and training of remote employees of business and government organizations; telecommunications services, namely, providing online collaboration services allowing remote users to access jointly-shared documents, data, calendars, task lists, address books, and discussion forums; consultation services in the field of telecommunications planning for business continuity, Electronic mail communication services, Voice over Internet Protocol (VoIP) communication services; consultation services regarding planning, organization, production, and delivery of online meetings, events, and seminars and online distribution of materials in connection therewith; online meeting and event support services, namely, developing and conducting online meetings and events for customers, and

online distribution of materials in connection therewith; Internet broadcasting services, namely, broadcasting and streaming of audio and video recordings of live events and meetings to remote attendees, and online distribution of conference materials and instructional materials in connection therewith; broadcasting programs via computer networks; streaming of audio, data, video, and images on the Internet; providing on-line forums for transmission of messages among computer users concerning the development, planning, and conducting of multimedia presentations, online meetings, online events, online training, online sales, and online marketing; providing on-line chat rooms and electronic bulletin boards for transmission of messages among users in the field of general interest; providing online forums for transmission of messages and data among computer users; providing an online database of information regarding telecommunications and Internet telecommunications; providing secure real-time electronic communications services over a computer network that enable users to search and locate information and people, communicate, collaborate, and share computer screens, desktops, data, electronic documents, video and applications via the Internet; providing real-time multimedia communication services via a website on the Internet for scheduling and managing calendars, contacts, online meetings, telephone conferencing, and video conferencing; instant messaging services; video conferencing services; web conferencing services; telephone conferencing services; electronic voice messaging, namely, the recording and subsequent transmission of voice messages; Internet telephony services; telecommunication services, namely, providing telecommunication connections to a global computer network and related telecommunication gateway services; on line services, namely, providing information via local and global computer networks in the field of telecommunications and telephony; software that facilitates video and voice communications between parties; audio conferencing services; electronic mail and Voice over Internet Protocol (VOIP) communication services; transmission of voice, audio, visual images and data by telecommunications networks, wireless communication networks, the Internet, information services networks and data

networks; providing access and telecommunications connections to the Internet, computer networks, computer databases and applications; and, electronic transmission of messages.

Class 41:

Educational and training services, in the field of audio and video conferencing, meeting and collaboration library; consulting services; educational services, namely, providing online and in-person training in the fields of online meetings, online events, multimedia presentations, computer education training, configuring computer networks, accessing remote computers, customer management, sales, marketing, and topics of general interest to businesses, and distribution of training course materials in connection therewith; educational services, namely, developing and conducting training courses and distribution of training materials in connection therewith for audio and video conferencing, meeting and collaboration subject matters as requested by customers; training support services for others, namely, assisting customers with the conduction, production and delivery of online training courses; meeting and seminar arranging; and, on-line library services, namely, providing electronic library services which feature articles from newspapers, magazines, publications, and websites available via an on-line computer network; Education services, namely, conducting classes and seminars in the field of meeting design and enhancing audience interaction, internal communication and employee engagement; educational examination services; organization and arranging of seminars; private tutoring in the field of design, interaction, meeting and internal communication of the public on employee involvement; organization and arranging of non-virtual educational forums.

Class 42:

Scientific and technological services and research and design relating thereto; industrial analysis and research services; design and development of computer hardware and software; computer services, namely, computer diagnostic services, information technology [IT] computer consulting services, and computer software consultation related to enabling real-time communication over the Internet; computer services, namely, troubleshooting computer hardware used in connection with transmitting information,

data, documents, and images over the Internet; application service provider (ASP) services, namely, hosting computer software applications of others; application service provider (ASP) services featuring software in the fields of web-based conferencing, audio conferencing, electronic messaging, document collaboration, video conferencing, and voice and call processing; application service provider (ASP) featuring software for uploading, recording, posting, viewing, displaying, editing, organizing, transmitting, sharing and video, images, audio, data, presentations, documents, voice and multimedia content; providing online non-downloadable software for facilitating the interoperability of multiple software applications; providing online non-downloadable software for creating, editing, delivering, and monitoring multimedia presentations distributed via the Internet and telephone to multiple participants; technical support services, namely, troubleshooting of computer software problems provided online, by email and by telephone; providing online troubleshooting information regarding computer hardware and software problems; computer services, namely, creating an on-line community for registered users to participate in discussions, get feedback from their peers, form virtual communities, engage in social networking, and exchange documents; technology advice provided to Internet users by means of a support hotline, Consultation regarding computer hardware, computer software, computer systems, computer networks, intranets, and the Internet; providing temporary use of online non-downloadable software to enable uploading, posting, showing, displaying, editing, and transmitting images, video and audiovisual works; Software as a service (SaaS) services; Software as a Service (SaaS) services featuring software for facilitating the interoperability of multiple software applications; Software as a Service (SaaS) services featuring software for enabling users to identify availability of other users and integrate electronic address books and calendars; Software as a Service (SaaS) services featuring software for facilitating multimedia teleconferencing and videoconference services, instant messaging, electronic mail, and voice over internet protocol (VOIP) communication services; Software as a Service (SaaS) services featuring software for transmitting information, video, voice, audio, and content

over a global computer information network;
 Software as a Service (SaaS) services
 featuring software for enabling users to
 communicate, collaborate, and share computer
 screens, desktops, data, electronic documents,
 video and applications via the Internet;
 Software as a Service (SaaS) services
 featuring software for viewing, managing,
 editing and storing documents via computer
 networks; Software as a Service (SaaS)
 services featuring software for scheduling and
 managing calendars, contacts, online meetings,
 telephone conferencing, and video
 conferencing; providing technical consultation
 in connection with computer hardware, computer
 software, computer networking equipment,
 telephony systems, telecommunications
 equipment, IP telephony, telecommunication
 systems, computer network design, storage
 design, security of networks, and voice and
 wireless communications; providing online
 forums in the technology, telecommunications,
 and communications fields; and, technical
 support services for computer networks and
 video conferencing solutions and computer
 network and video conferencing solution
 management services, namely, troubleshooting
 in the nature of diagnosing problems with
 video conferencing systems and computer
 networking software, and monitoring of
 computer network systems for technical support
 purposes; platform as a service (PaaS);
 infrastructure as a service (IaaS).

- [526] 卸棄 : N/A
 Disclaimer:
- [529] 限制 : N/A
 Limitation:
- [527] 條件 : N/A
 Condition:
 其他 : N/A
 Others
- [220] 提交日期 : 13-09-2021
 Date of Filing:
- [320] 聲稱具有優先權的日期 : 17-03-2021
 Date of Priority Claimed:
- [310] 優先權申請編號 : 82918
 Priority Application Number:
- [340] 聲稱具有優先權 (部分) : N/A
 Priority Claim Details:
- [330] 優先權申請的 JAMAICA
 國家、地區、地方 :
 Country, territory, area of
 Priority Applications:

[210] 商標申請編號 : 305744917
Application No.:

[540] 商標 :
Mark: **WANTED: DEAD**

[550] 商標種類 : Ordinary
Mark Type:
一系列商標 : NO
Series Mark:

[571] 商標描述 : N/A
Mark Description:

[730] 註冊申請人的姓名 / 名稱、地址 : 110 Industries Ltd
Applicant (s) ' Palladium House
Name, Address: 1-4 Argyll Street London W1F 7LD
UNITED KINGDOM

[740/ 註冊申請人的送達地址 : HALDANES
750] Applicant's Address for 7/F, Ruttonjee House
Service: 11 Duddell Street, Central
HONG KONG

[511] 類別編號 : 9, 16, 21, 25, 28, 30, 32, 35, 41
Class(es) No(s) .:

[511] 貨品 / 服務說明 :
Specification: Class 9:
Computer games; computer game programs and software; computer software and applications in relation to video games, video game consoles, handheld computing devices, mobile computing devices, and other computing devices; electronic games; downloadable applications and games; coin operated amusement apparatus; mobile computing devices and games; parts and fittings for all the aforesaid goods.
Class 16:
Printed matter, namely books, pamphlets, periodicals, magazines, and manuals in the field of video games; posters; packaging materials; promotional matter; press releases; books; comics; photos; hint books.
Class 21:
Decorative plates; beverage ware; mugs; glasses; cups; drinks bottles.
Class 25:
Clothing; footwear; headgear.
Class 28:
Games; toys and playthings; figurines; action figures; children's toys; table games; electronic games; amusement apparatus; parts and fittings for all the aforesaid goods.
Class 30:

Chewing gum; cereal based energy bars; granola-based snack bars; snack foods, including wheat, corn and rice based snack foods biscuits; cakes; pastries; ices and ice cream; cereals and foods made from cereals; biscuits; cookies; cakes; power bars and energy bars (non-medicated); confectionery, chocolate and candy; popcorn, pretzels.

Class 32:

Non-alcoholic beverages; beers; energy drinks; carbonated drinks; soft drinks.

Class 35:

Advertising; Retail services in respect of video games, computer software and applications, handheld devices, printed matter, namely books, pamphlets, periodicals, magazines, and manuals in the field of video games, posters, packaging materials, promotional matter, press releases, books, comics, photos, souvenirs, clothing, footwear, headgear, games, toys and playthings, figurines, action figures, children's toys, table games, computer games, electronic games, amusement apparatus, foodstuffs, chewing gum, cereal based energy bars, granola based snack bars, snack foods, including wheat, corn and rice based snack foods biscuits, cakes, pastries, snack foods, ices and ice cream, cereals and foods made from cereals, biscuits, cookies, cakes, power bars and energy bars (non-medicated), confectionery, chocolate and candy, popcorn, pretzels, beverages, beers, energy drinks, carbonated drinks, soft drinks; information, advisory and consultancy services in respect of the aforesaid.

Class 41:

Entertainment services; online computer games; provision of on-line entertainment; providing on-line computer games and/or on-line video games; providing information on entertainment in the field of computer games and video games; provision of multimedia for entertainment purposes; provision of computer games and video games for entertainment purposes; film directing, other than advertising films; film distribution; film production, other than advertising films; movie studio services; music composition services; production of music; providing information in the field of entertainment; information, advisory and consultancy services in respect of the aforesaid.

[526] 卸棄:

N/A

Disclaimer:

[529] 限制:

N/A

Limitation:

[527] 條件 : N/A
Condition:
其他 : N/A
Others

[220] 提交日期 : 14-09-2021
Date of Filing:

[320] 聲稱具有優先權的日期 : 13-09-2021
Date of Priority Claimed:

[310] 優先權申請編號 : UK00003693744
Priority Application Number:

[340] 聲稱具有優先權 (部分) : N/A
Priority Claim Details:

[330] 優先權申請的
國家、地區、地方 : UNITED KINGDOM
Country, territory, area of
Priority Applications:

[210] 商標申請編號 : 305745899
Application No.:

[540] 商標 : A
Mark:



B



- [550] 商標種類 : Ordinary
 Mark Type:
 一系列商標 : YES
 Series Mark:
- [571] 商標描述 : N/A
 Mark Description:
- [730] 註冊申請人的姓名 / 名稱、地址 : Lemon Inc.
 Applicant(s) ' P.O. Box 31119 Grand Pavilion, Hibiscus Way,
 Name,Address: 802 West Bay Road, Grand Cayman, KY1 - 1205,
 CAYMAN ISLANDS
- [740/ 註冊申請人的送達地址 : P C WOO & CO
 750] Applicant's Address for ROOM 1225, 12/F., PRINCE'S BUILDING, 10 CHATER
 Service: ROAD, CENTRAL,
 HONG KONG
- [511] 類別編號 : 9, 35, 36, 38, 41, 42, 45
 Class(es) No(s) .:
- [511] 貨品 / 服務說明 : Class 9:
 Specification: Application software; application software for
 smart phones; downloadable computer software
 applications; downloadable smart phone
 applications (software); covers for
 smartphones and mobile phones; cases for
 smartphones and mobile phones; protective
 cases for smartphones; selfie sticks used as
 smartphone accessories; holders adapted for
 smartphones; mobile phones; straps for
 smartphones; batteries; battery chargers; USB
 chargers (battery chargers); USB cables;
 earphones; headphones; headsets; protective
 films adapted for smartphones and mobile
 phones; accessories designed for smartphones
 or mobile phones; fridge magnets; blank
 digital or analogue recording and storage
 media; decorative magnets; alarms; sunglasses;
 optical apparatus and instruments; video
 screens.
 Class 35:
 Advertising and advertisement services;
 advertising agencies; on-line advertising on

computer networks; pay per click advertising; preparing advertisements for others; dissemination of advertising matter; advertising through all public communication means; sales promotion for others; advice in the field of business management and marketing; presentation of goods on communication media, for retail purposes; search engine optimization for sales promotion; providing and rental of advertising space on the internet; business advice and information; assistance in management of business activities; commercial information agency services; providing business information via a website; personnel management consultancy; updating and maintenance of data in computer databases.

Class 36:

Insurance; financial affairs; monetary affairs; real estate affairs; clearing and reconciling financial transactions via a global computer network; online banking services and financial services; credit card services, processing and transmission of bills and payments thereof, and providing insurance for financial transactions; funds transfer services; transmission of funds by electronic means for others; transfer of payments for others via the internet; financial services in the nature of billing and payment processing services; arrangement and management of leases and tenancy; renting and leasing of real estate; real estate appraisal; real estate valuation; real estate financing; real estate investment; real estate brokerage services; housing agency services; actuarial services; real estate management and consultancy services; rent collection; rental of offices (real estate); capital investments; financial evaluation [insurance, banking, real estate]; financial and asset management services; insurance and financial services; financial services provided by telecommunication means; financial consultancy and advisory services; online banking; information services relating to finance and insurance, provided online from a computer database or Internet; antique appraisal; art appraisal; jewelry appraisal; used car appraisal; tax information supply (financial services); charitable fund raising; organizing of charitable collections; charitable collections; online payment services; safe deposit services; arranging finance for construction projects.

Class 38:

Short message services (SMS); application

message sending services; transmission of application information via internet; communication via virtual private networks [VPN]; electronic delivery of images and photographs via a global computer network; data transmission and telecommunication services; telecommunications services for providing access to data, sound or images; transmission of text, photo, video via the smart phone applications; transmission of information via applications for smart phones; transmission, broadcasting and reception of audio, video, still and moving images, text and data; transfer of data via on-line services; peer-to-peer (P2P) sharing services (electronic transmission services); providing access to a video sharing portal; live video streaming services.

Class 41:

Educational services; training services; presentation of music videos via mobile device online; providing of online electronic publications (not downloadable) via mobile devices; multimedia publishing of printed matter, books, magazines, journals, newspapers, newsletters, tutorials, maps, graphics, photographs, videos, music and electronic publications; electronic publication of information on a wide range of topics on-line; entertainment and amusement information via internet online, entertainment, organization and presentation of shows, competitions, games, concerts and entertainment events; arranging, organizing, conducting, and hosting social entertainment events; conducting educational conferences.

Class 42:

Provision of software applications through a website; hosting on-line web facilities for others for sharing on-line content; hosting platforms on the internet; computer programming; computer software design; electronic data storage; software as a service (SAAS) services; cloud computing; hosting a website for the electronic storage of digital photographs and videos; hosting digital content on the internet; hosting multimedia entertainment content; hosting of multimedia and interactive applications; web site hosting services; business card design; providing computer services for searching smart phone applications; providing internet application services for communications.

Class 45:

Online social networking services; licensing

of computer software [legal services];
licensing of intellectual property.

[526] 卸棄 : N/A
Disclaimer:

[529] 限制 : N/A
Limitation:

[527] 條件 : N/A
Condition:
其他 : N/A
Others

[220] 提交日期 : 15-09-2021
Date of Filing:

[320] 聲稱具有優先權的日期 : N/A
Date of Priority Claimed:

[310] 優先權申請編號 : N/A
Priority Application Number:

[340] 聲稱具有優先權 (部分) : N/A
Priority Claim Details:

[330] 優先權申請的
國家、地區、地方 : N/A
Country, territory, area of
Priority Applications:

[210] 商標申請編號 : 305745907
Application No.:

[540] 商標 : A XIGUASHIPIN
Mark: B xiguashipin
C Xiguashipin

[550] 商標種類 : Ordinary
Mark Type:

一系列商標 : YES

Series Mark:

[571] 商標描述 : N/A
Mark Description:

[730] 註冊申請人的姓名 / 名稱、地址 : Lemon Inc.
Applicant(s) ' P.O. Box 31119 Grand Pavilion, Hibiscus Way,
Name,Address: 802 West Bay Road, Grand Cayman, KY1 - 1205,
CAYMAN ISLANDS

[740/ 註冊申請人的送達地址 : P C WOO & CO
750] Applicant's Address for ROOM 1225, 12/F., PRINCE'S BUILDING, 10 CHATER
Service: ROAD, CENTRAL,
HONG KONG

[511] 類別編號 : 9,35,36,38,41,42,45
Class(es) No(s) .:

[511] 貨品 / 服務說明 :
Specification:

Class 9:
Application software; application software for smart phones; downloadable computer software applications; downloadable smart phone applications (software); covers for smartphones and mobile phones; cases for smartphones and mobile phones; protective cases for smartphones; selfie sticks used as smartphone accessories; holders adapted for smartphones; mobile phones; straps for smartphones; batteries; battery chargers; USB chargers (battery chargers); USB cables; earphones; headphones; headsets; protective films adapted for smartphones and mobile phones; accessories designed for smartphones or mobile phones; fridge magnets; blank digital or analogue recording and storage media; decorative magnets; alarms; sunglasses; optical apparatus and instruments; video screens.

Class 35:
Advertising and advertisement services; advertising agencies; on-line advertising on computer networks; pay per click advertising; preparing advertisements for others; dissemination of advertising matter; advertising through all public communication means; sales promotion for others; advice in the field of business management and marketing; presentation of goods on communication media, for retail purposes; search engine optimization for sales promotion; providing and rental of advertising space on the internet; business advice and information; assistance in management of business activities; commercial information agency services; providing business information via a website; personnel management consultancy; updating and maintenance of data in computer databases.

Class 36:
Insurance; financial affairs; monetary affairs; real estate affairs; clearing and reconciling financial transactions via a global computer network; online banking services and financial services; credit card services, processing and transmission of bills and payments thereof, and providing insurance for financial transactions; funds transfer services; transmission of funds by electronic

means for others; transfer of payments for others via the internet; financial services in the nature of billing and payment processing services; arrangement and management of leases and tenancy; renting and leasing of real estate; real estate appraisal; real estate valuation; real estate financing; real estate investment; real estate brokerage services; housing agency services; actuarial services; real estate management and consultancy services; rent collection; rental of offices (real estate); capital investments; financial evaluation [insurance, banking, real estate]; financial and asset management services; insurance and financial services; financial services provided by telecommunication means; financial consultancy and advisory services; online banking; information services relating to finance and insurance, provided online from a computer database or Internet; antique appraisal; art appraisal; jewelry appraisal; used car appraisal; tax information supply (financial services); charitable fund raising; organizing of charitable collections; charitable collections; online payment services; safe deposit services; arranging finance for construction projects.

Class 38:

Short message services (SMS); application message sending services; transmission of application information via internet; communication via virtual private networks [VPN]; electronic delivery of images and photographs via a global computer network; data transmission and telecommunication services; telecommunications services for providing access to data, sound or images; transmission of text, photo, video via the smart phone applications; transmission of information via applications for smart phones; transmission, broadcasting and reception of audio, video, still and moving images, text and data; transfer of data via on-line services; peer-to-peer (P2P) sharing services (electronic transmission services); providing access to a video sharing portal; live video streaming services.

Class 41:

Educational services; training services; presentation of music videos via mobile device online; providing of online electronic publications (not downloadable) via mobile devices; multimedia publishing of printed matter, books, magazines, journals, newspapers, newsletters, tutorials, maps, graphics, photographs, videos, music and

electronic publications; electronic publication of information on a wide range of topics on-line; entertainment and amusement information via internet online, entertainment, organization and presentation of shows, competitions, games, concerts and entertainment events; arranging, organizing, conducting, and hosting social entertainment events; conducting educational conferences.

Class 42:

Provision of software applications through a website; hosting on-line web facilities for others for sharing on-line content; hosting platforms on the internet; computer programming; computer software design; electronic data storage; software as a service (SAAS) services; cloud computing; hosting a website for the electronic storage of digital photographs and videos; hosting digital content on the internet; hosting multimedia entertainment content; hosting of multimedia and interactive applications; web site hosting services; business card design; providing computer services for searching smart phone applications; providing internet application services for communications.

Class 45:

Online social networking services; licensing of computer software [legal services]; licensing of intellectual property.

[526]	卸棄 : Disclaimer:	N/A
[529]	限制 : Limitation:	N/A
[527]	條件 : Condition:	N/A
	其他 : Others	N/A
[220]	提交日期 : Date of Filing:	15-09-2021
[320]	聲稱具有優先權的日期 : Date of Priority Claimed:	N/A
[310]	優先權申請編號 : Priority Application Number:	N/A
[340]	聲稱具有優先權 (部分) : Priority Claim Details:	N/A
[330]	優先權申請的 國家、地區、地方 : Country, territory, area of Priority Applications:	N/A

- [210] 商標申請編號 : 305753836
Application No.:
- [540] 商標 :
Mark: 
- [550] 商標種類 : Ordinary
Mark Type:
一系列商標 : NO
Series Mark:
- [571] 商標描述 : The applicant claims the colours blue, yellow, pink, black and white as elements of the trademark.
Mark Description:
- [730] 註冊申請人的姓名 / 名稱、地址 : PT Kanmo Retailindo
Applicant(s) ' Name,Address: Era Tower, Fl.14 Unit 02, St. Senen Raya No 135-137
Kelurahan Senen Kecamatan Senen, Central Jakarta, INDONESIA
- [740/ 註冊申請人的送達地址 : ONC LAWYERS
750] Applicant's Address for Service: 19TH FLOOR, THREE EXCHANGE SQUARE, 8 CONNAUGHT PLACE, CENTRAL, HONG KONG
- [511] 類別編號 : 3,5,9
Class(es) No(s) .:
- [511] 貨品 / 服務說明 : Class 9:
Specification: protective goggles; protective masks; protective face masks not for medical purposes; face shields, other than for medical purposes
- [526] 卸棄 : N/A
Disclaimer:
- [529] 限制 : N/A
Limitation:
- [527] 條件 : N/A
Condition:
其他 : N/A
Others
- [220] 提交日期 : 23-09-2021
Date of Filing:
- [320] 聲稱具有優先權的日期 : N/A
Date of Priority Claimed:
- [310] 優先權申請編號 : N/A
Priority Application Number:
- [340] 聲稱具有優先權 (部分) : N/A
Priority Claim Details:
- [330] 優先權申請的
國家、地區、地方 : N/A
Country, territory, area of Priority Applications:

[210] 商標申請編號 : 305756338

Application No.:

[540] 商標 :

Mark:



[550] 商標種類 : Ordinary

Mark Type:

一系列商標 :

NO

Series Mark:

[571] 商標描述 :

Mark Description:

The applicant claims the colours red-orange and black as elements of the trade mark.

[730] 註冊申請人的姓名 / 名稱、地址 :

Applicant(s)'

Name, Address:

WINE SERVICES

23-25 RUE JEAN-JACQUES ROUSSEAU,

75001 PARIS,

FRANCE

[740/ 註冊申請人的送達地址 :

750] Applicant's Address for Service:

WILKINSON & GRIST

6th Floor, Prince's Building,

Chater Road, Central,

HONG KONG

[511] 類別編號 :

Class(es) No(s) .:

9,35,38,42

[511] 貨品 / 服務說明 :

Specification:

Class 9:

Databases; data processing terminals; data storage programs; database engines; software; mobile applications; data mining software; databases software; software; software and mobile applications enabling access to databases in the field of wines and beverages.

Class 35:

Collection of data; compilation of data; compilation of databases; compilation of statistics; compilation of statistics [for business or commercial purposes]; compilation of information into computer databases; data processing; data analysis services; market studies; analysis of market research data; data transcription; systemization of information into computer databases; data processing verification; data retrieval services; database marketing; computerized file management; provision of business data; business information; commercial

intermediation services; computer data entry services; economic forecasting; subscriptions to telecommunications database services; data search in computer files for others; business research; market intelligence services; competitive intelligence services; business information agency services; price comparison services; business management and organization consultancy; provision of an online marketplace for buyers and sellers of goods and services; provision of business assistance in the field of production and distribution of wine and beverages, namely providing business databases and business information in the field of wines and beverages; business information in the field of wines and beverages.

Class 38:

Data transmission; data broadcasting services; arranging access to online databases; remote data access services; data communication services; arranging access to online databases in the field of wines and beverages.

Class 42:

Data mining; hosting of databases; development of databases; maintenance of databases; data backup services; online data storage; data duplication and conversion services, data coding services; designing of data processing programmes; data encryption and decoding services; programming of data processing equipment; software as a service [SaaS] and platform as a service [PaaS].

- | | | |
|-------|---|------------|
| [526] | 卸棄 : | N/A |
| | Disclaimer: | |
| [529] | 限制 : | N/A |
| | Limitation: | |
| [527] | 條件 : | N/A |
| | Condition: | |
| | 其他 : | N/A |
| | Others | |
| [220] | 提交日期 : | 27-09-2021 |
| | Date of Filing: | |
| [320] | 聲稱具有優先權的日期 : | 22-09-2021 |
| | Date of Priority Claimed: | |
| [310] | 優先權申請編號 : | 214801927 |
| | Priority Application Number: | |
| [340] | 聲稱具有優先權 (部分) : | N/A |
| | Priority Claim Details: | |
| [330] | 優先權申請的
國家、地區、地方 : | FRANCE |
| | Country, territory, area of
Priority Applications: | |

[210] 商標申請編號 : 305757328

Application No.:

[540] 商標 :

Mark:



[550] 商標種類 : Ordinary

Mark Type:

一系列商標 :

NO

Series Mark:

[571] 商標描述 : N/A

Mark Description:

[730] 註冊申請人的姓名 / 名稱、地址 :

Applicant(s) '

Name,Address:

RABBITING HOLDINGS LIMITED

Unit 2004B, 20/F, Tower 5, China Hong Kong City,

33 Canton Road, Tsim Sha Tsui, Kowloon, HONG KONG

[740/ 註冊申請人的送達地址 :

750] Applicant's Address for Service:

IPMS CONSULTANTS LIMITED

UNIT 2004B, 20/F, TOWER 5, CHINA HONG KONG CITY,

33 CANTON ROAD, TSIM SHA TSUI, KOWLOON, HONG KONG

[511] 類別編號 :

Class(es) No(s) .:

9,35,38

[511] 貨品 / 服務說明 :

Specification:

Class 9:

Scientific, nautical, surveying, photographic, cinematographic, optical, weighing, measuring, signalling, checking (supervision), life-saving and teaching apparatus and instruments; apparatus and instruments for conducting, switching, transforming, accumulating, regulating or controlling electricity; apparatus for recording, transmission or reproduction of sound or images; magnetic data carriers, recording discs; electronic newspapers (downloadable); CD-ROMs and other media formats featuring motion pictures films, news, sports and television series,

documentaries, game shows, variety shows, reality based television shows, animation, concerts and other performance; computer game programs for mobile telephones and other electronic devices; computer software for electronic mail, mobile messaging and multimedia messaging; electronic news reports, downloadable; digital news reports, downloadable; computer animation software; cinematographic and photographic films; films and motion pictures; pre-recorded data carriers containing text, pictures and film; Software to enable uploading, posting, showing, displaying, tagging, blogging, sharing or otherwise providing electronic media or information over the Internet or other communications network; computer software; mobile apps; electronic publications (downloadable); all included in Class 9.

Class 35:

Advertising; business management; business administration; office functions; provision of information relating to advertisements posted in magazines and newspaper; retail sales of bags and clothing; marketing research; arranging newspaper subscriptions; document reproduction; advertising in the form of animation; publication of publicity text; subscription services for others relating to publications and electronic publications; media agency services (public relations); distribution of advertising materials; online shopping services; all included in Class 35.

Class 38:

Telecommunications; electronic transmission of information, data, messages, games, images, video, sounds and documents via computer terminals, telephones and mobile telephones; providing information in the field of communications or telecommunications via websites and the Internet; provision of telecommunications links to computer databases and websites on the Internet; provision of access to the global computer networks (Internet), databases and websites; providing access to platforms and portals in the Internet; news agency services; broadcasting of audio, video and multimedia contents via the Internet; news broadcasting; transmission of news, films and images; providing on-line chat rooms and electronic bulletin boards; all included in Class 38.

[526] 卸棄:

Disclaimer:

Registration of this Trade Mark shall give no right to the exclusive use of the Chinese characters “全球華人財經共享平台”.

[529] 限制 :	N/A
Limitation:	
[527] 條件 :	N/A
Condition:	
其他 :	N/A
Others	
[220] 提交日期 :	17-11-2021
Date of Filing:	
[320] 聲稱具有優先權的日期 :	N/A
Date of Priority Claimed:	
[310] 優先權申請編號 :	N/A
Priority Application Number:	
[340] 聲稱具有優先權 (部分) :	N/A
Priority Claim Details:	
[330] 優先權申請的 國家、地區、地方 :	N/A
Country, territory, area of Priority Applications:	
<hr/>	
[210] 商標申請編號 :	305759173
Application No.:	
[540] 商標 :	
Mark:	
[550] 商標種類 :	Ordinary
Mark Type:	
一系列商標 :	NO
Series Mark:	
[571] 商標描述 :	N/A
Mark Description:	
[730] 註冊申請人的姓名 / 名稱、地址 :	Musto Limited
Applicant (s) ' Name,Address:	International House, St Katharine Docks St. Katharine's Way, London E1W 1UN UNITED KINGDOM

[740/ 註冊申請人的送達地址 : Eversheds Sutherland
750] Applicant's Address for 37/F, ONE TAIKOO PLACE, TAIKOO PLACE
Service: 979 KING'S ROAD, QUARRY BAY
HONG KONG

[511] 類別編號 : 9,18,25,35
Class(es) No(s) .:

[511] 貨品 / 服務說明 : Class 9:
Specification: Nautical apparatus and instruments; life saving apparatus and equipment, life jackets, life belts; buoyancy aids, buoyancy jackets; survival blankets; protective clothing, vests, jackets and gloves, for the prevention against injury, accidents, irradiation and fire; protective headgear; protective footwear; protective eye pieces; protective knee pads; protective masks; protective body armour and shields; protection devices for personal use against accidents; diving suits; divers' masks; ear plugs for divers; nose clips for divers and swimmers; gloves for divers; breathing apparatus, except for artificial respiration; riding protective helmets; reflective articles for wear, for the prevention of injury and accidents; eyewear, sports eyewear, sunglasses, protective eyewear, field glasses, goggles for sports, binoculars; cases for eyewear, spectacles, sports eyewear, protective eyewear, sunglasses, field glasses, goggles for sports, binoculars; retainers for eyewear, spectacles, sports eyewear, protective eyewear, sunglasses, field glasses, goggles for sports, binoculars; earphones; headphones; emergency and rescue flares; safety belts and harnesses, other than for vehicles or sports purposes; time recording apparatus; wearable activity trackers; network communication device; marine and directional compasses; telescopes; binoculars; navigational apparatus and instruments; Global Positioning System (GPS) apparatus and instruments; signal lanterns; laptop cases, computer cases, covers for tablet computers, covers for mobile phones; battery packs; solar battery chargers; portable solar panels for generating electricity and charging electrical devices; dog whistles, signalling whistles, whistle alarms and sport whistles; parts and fittings for all the aforesaid goods; electronic publications, downloadable; downloadable mobile phone software applications; scientific, research, navigation, surveying, photographic, cinematographic, audiovisual, optical, weighing, measuring, signalling, detecting, testing, inspecting, life-saving and teaching apparatus and instruments;

apparatus and instruments for conducting, switching, transforming, accumulating, regulating or controlling the distribution or use of electricity; apparatus and instruments for recording, transmitting, reproducing or processing sound, images or data; recorded and downloadable media, computer software, blank digital or analogue recording and storage media; mechanisms for coin-operated apparatus; cash registers, calculating devices; computers and computer peripheral devices; fire-extinguishing apparatus.

Class 18:

Leather and imitations of leather; fur; animal skins and hides; luggage, bags, carrying bags, rucksacks, backpacks, trunks and travelling bags, bags for climbers, bags for campers, bags for mountaineers, game bags (hunting accessories), hunting bags, hip bags, chest bags and bags for sports, beach bags, handbags, shopping bags, waist bags, tool bags, empty, wash bags, valises, suitcases, briefcases, purses, pocket wallets; cases of leather or leatherboard; business card cases; key cases; travelling sets [leatherware]; umbrellas and parasols; walking sticks; shooting sticks; hiking sticks; mountaineering sticks; whips, harness and saddlery; leather straps and leashes; belts (made of leather); shoulder belts [straps] of leather; collars, clothing and leashes for animals.

Class 25:

Clothing; outerclothing; jackets; safari jackets; jerseys [clothing]; overalls; overcoats; sweaters; pullovers; coats; vests; gilets; Tee-shirts; parkas; knitwear; fleeces; fleece clothing; waistcoats; trousers; shorts; tights; underclothing; boxer shorts; beach clothes; down clothing; children's clothing; infrared clothing, other than for medical purposes; top coats; waterproof clothing; waterproof jackets; sportswear; sports jerseys; sports jackets; sports singlets; wind resistant jackets; windbreaker; wet suits for water-skiing; swimsuits; wetsuits for water sports; raincoat; footwear; boots; slippers; beach shoes; sandals; shoes; sports shoes; non-slipping devices for footwear; fittings of metal for footwear; climbing shoes; mountain climbing shoes (with metal spikes); rain boots; aqua shoes; headwear, hats, caps, visors; headbands [clothing]; stockings; socks; hosiery; girdles; leggings [leg warmers]; leg warmers; gloves [clothing], fingerless gloves, ski gloves, mittens; scarves; bandanas [neckerchiefs]; belts

[clothing]; salopettes for sailing; clothing, footwear and headgear for sailing, water sports, shooting, hunting, hiking, riding and equestrian; thermally insulated clothing, other than for protection against accident or injury; insulated jackets; waterproof anorak.
Class 35:

Retail and wholesale services, mail order, catalogue services, on-line sale services and distributorship of goods in relation to clothing, outerclothing, jackets, safari jackets, jerseys [clothing], overalls, overcoats, sweaters, pullovers, coats, vests, gilets, Tee-shirts, parkas, knitwear, fleeces, fleece clothing, waistcoats, trousers, shorts, tights, underclothing, boxer shorts, beach clothes, down clothing, children's clothing, infrared clothing, top coats, waterproof clothing, waterproof jackets, sportswear, sports jerseys, sports jackets, sports singlets, wind resistant jackets, windbreaker, wet suits for water-skiing, swimsuits, wetsuits for water sports, raincoat, footwear, boots, slippers, beach shoes, sandals, shoes, sports shoes, non-slipping devices for footwear, fittings of metal for footwear, climbing shoes, mountain climbing shoes (with metal spikes), rain boots, aqua shoes, headwear, hats, caps, visors, headbands [clothing], stockings, socks, hosiery, girdles, leggings [leg warmers], leg warmers, gloves [clothing], fingerless gloves, ski gloves, mittens, scarves, bandanas [neckerchiefs], belts [clothing], salopettes for sailing, clothing, footwear and headgear for sailing, water sports, shooting, hunting, hiking, riding and equestrian, thermally insulated clothing, other than for protection against accident or injury, insulated jackets; retail and wholesale services, mail order, catalogue services, on-line sale services and distributorship of goods in relation to luggage, bags, carrying bags, rucksacks, backpacks, trunks and travelling bags, bags for climbers, bags for campers, bags for mountaineers, game bags (hunting accessories), hunting bags, hip bags, chest bags and bags for sports, beach bags, handbags, shopping bags, waist bags, tool bags, empty, wash bags, valises, suitcases, briefcases, purses, pocket wallets, passport holder (wallet), cases of leather or leatherboard, business card cases, key cases, travelling sets [leatherware], umbrellas and parasols, walking sticks, shooting sticks, hiking sticks, mountaineering sticks, whips, harness and saddlery, leather

straps and leashes, belts (made of leather), shoulder belts [straps] of leather, collars, clothing and leashes for animals; retail and wholesale services, mail order, catalogue services, on-line sale services and distributorship of goods in relation to nautical apparatus and instruments, life saving apparatus and equipment, life jackets, life belts, buoyancy aids, buoyancy jackets and buoyancy smocks, survival blankets, protective clothing, vests, jackets and gloves, protective headgear, protective footwear, protective eye pieces, protective knee pads, protective masks, protective body armour and shields, protection devices for personal use against accidents, diving suits, divers' masks, ear plugs for divers, nose clips for divers and swimmers, gloves for divers, breathing apparatus, waterproof anorak, riding hats and helmets, reflective articles for wear, eyewear, sports eyewear, sunglasses, protective eyewear, field glasses, goggles for sports, binoculars, cases for eyewear, spectacles, sports eyewear, protective eyewear, sunglasses, field glasses, goggles for sports, binoculars, retainers for eyewear, spectacles, sports eyewear, protective eyewear, sunglasses, field glasses, goggles for sports, binoculars, earphones, headphones, emergency and rescue flares, safety belts and harnesses, time recording apparatus, wearable activity trackers, network communication device, marine and directional compasses, telescopes, binoculars, navigational apparatus and instruments, GPS apparatus and instruments, signal lanterns, laptop cases, computer cases, covers for tablet computers, covers for mobile phones, battery packs, solar battery chargers, portable solar panels for generating electricity and charging electrical devices, dog whistles, signalling whistles, whistle alarms and sport whistles, parts and fittings for all the aforesaid goods; retail and wholesale services, mail order, catalogue services, on-line sale services and distributorship of goods in relation to precious metals and their alloys and goods of precious metals or coated therewith, jewellery, ornaments (jewellery), horological and chronometric instruments, wristwatches, clocks, drinking bottles, drinking vessels, straws for drinking, thermally insulated containers for food, heat insulated containers for beverages, containers for food and beverages; retail and wholesale services, mail

order, catalogue services, on-line sale services and distributorship of goods in relation to games and playthings, gymnastic and sporting articles, sporting articles, hunting and fishing equipment, weapons and ammunition for hunting, gun slips and holders, bags, cases, belts and pouches for guns and rifles, bags, cases, belts and pouches for cartridges and ammunition, protective recoil body shields and pads, body recoil shields and pads for use in shooting and hunting, gun care and cleaning equipment; all the aforementioned services also available online; presentation of goods and communication media, for retail purposes; promotion of goods and services through sponsorship of sports events; sponsorship search; administration of consumer loyalty programs; franchising, namely providing business assistance in the establishment and/or operation of retail stores, department stores, specialty stores, outlet stores and online stores; providing business assistance in relating to franchising; business consultation and advisory services relating to franchising; commercial administration of the licensing of the goods and services of others; advertising, marketing; business management; business administration; organisation of trade fairs; import-export agency services; sales promotion for others; procurement services for others [purchasing goods and services for other businesses]; office functions.

- [526] 卸棄 : N/A
Disclaimer:
- [529] 限制 : N/A
Limitation:
- [527] 條件 : N/A
Condition:
其他 : N/A
Others
- [220] 提交日期 : 29-09-2021
Date of Filing:
- [320] 聲稱具有優先權的日期 : N/A
Date of Priority Claimed:
- [310] 優先權申請編號 : N/A
Priority Application Number:
- [340] 聲稱具有優先權 (部分) : N/A
Priority Claim Details:
- [330] 優先權申請的
國家、地區、地方 : N/A
Country, territory, area of
Priority Applications:

[210] 商標申請編號 : 305759182

Application No.:

[540] 商標 :

Mark:

MUSTO | EVOLUTION

[550] 商標種類 : Ordinary

Mark Type:

一系列商標 :

NO

Series Mark:

[571] 商標描述 :

Mark Description:

The applicant claims the colours black, grey and red as elements of the trade mark.

[730] 註冊申請人的姓名 / 名稱、地址 :

Applicant(s) ' Name,Address:

Musto Limited
International House, St Katharine Docks
St. Katharine's Way, London E1W 1UN
UNITED KINGDOM

[740/ 註冊申請人的送達地址 :

Applicant's Address for Service:

Eversheds Sutherland
37/F, ONE TAIKOO PLACE, TAIKOO PLACE
979 KING'S ROAD, QUARRY BAY
HONG KONG

[511] 類別編號 :

Class(es) No(s) .:

9,18,25,35

[511] 貨品 / 服務說明 :

Specification:

Class 9:

Nautical apparatus and instruments; life saving apparatus and equipment, life jackets, life belts; buoyancy aids, buoyancy jackets; survival blankets; protective clothing, vests, jackets and gloves, for the prevention against injury, accidents, irradiation and fire; protective headgear; protective footwear; protective eye pieces; protective knee pads; protective masks; protective body armour and shields; protection devices for personal use against accidents; diving suits; divers' masks; ear plugs for divers; nose clips for divers and swimmers; gloves for divers; breathing apparatus, except for artificial respiration; riding protective helmets; reflective articles for wear, for the prevention of injury and accidents; eyewear, sports eyewear, sunglasses, protective eyewear, field glasses, goggles for sports, binoculars; cases for eyewear, spectacles, sports eyewear, protective eyewear, sunglasses, field glasses, goggles for sports, binoculars; retainers for eyewear, spectacles, sports eyewear, protective eyewear, sunglasses, field glasses, goggles for sports, binoculars; earphones; headphones; emergency and rescue flares; safety belts and harnesses,

other than for vehicles or sports purposes; time recording apparatus; wearable activity trackers; network communication device; marine and directional compasses; telescopes; binoculars; navigational apparatus and instruments; Global Positioning System (GPS) apparatus and instruments; signal lanterns; laptop cases, computer cases, covers for tablet computers, covers for mobile phones; battery packs; solar battery chargers; portable solar panels for generating electricity and charging electrical devices; dog whistles, signalling whistles, whistle alarms and sport whistles; parts and fittings for all the aforesaid goods; electronic publications, downloadable; downloadable mobile phone software applications; scientific, research, navigation, surveying, photographic, cinematographic, audiovisual, optical, weighing, measuring, signalling, detecting, testing, inspecting, life-saving and teaching apparatus and instruments; apparatus and instruments for conducting, switching, transforming, accumulating, regulating or controlling the distribution or use of electricity; apparatus and instruments for recording, transmitting, reproducing or processing sound, images or data; recorded and downloadable media, computer software, blank digital or analogue recording and storage media; mechanisms for coin-operated apparatus; cash registers, calculating devices; computers and computer peripheral devices; fire-extinguishing apparatus.

Class 18:

Leather and imitations of leather; fur; animal skins and hides; luggage, bags, carrying bags, rucksacks, backpacks, trunks and travelling bags, bags for climbers, bags for campers, bags for mountaineers, game bags (hunting accessories), hunting bags, hip bags, chest bags and bags for sports, beach bags, handbags, shopping bags, waist bags, tool bags, empty, wash bags, valises, suitcases, briefcases, purses, pocket wallets; cases of leather or leatherboard; business card cases; key cases; travelling sets [leatherware]; umbrellas and parasols; walking sticks; shooting sticks; hiking sticks; mountaineering sticks; whips, harness and saddlery; leather straps and leashes; belts (made of leather); shoulder belts [straps] of leather; collars, clothing and leashes for animals.

Class 25:

Clothing; outerclothing; jackets; safari jackets; jerseys [clothing]; overalls;

overcoats; sweaters; pullovers; coats; vests; gilets; Tee-shirts; parkas; knitwear; fleeces; fleece clothing; waistcoats; trousers; shorts; tights; underclothing; boxer shorts; beach clothes; down clothing; children's clothing; infrared clothing, other than for medical purposes; top coats; waterproof clothing; waterproof jackets; sportswear; sports jerseys; sports jackets; sports singlets; wind resistant jackets; windbreaker; wet suits for water-skiing; swimsuits; wetsuits for water sports; raincoat; footwear; boots; slippers; beach shoes; sandals; shoes; sports shoes; non-slipping devices for footwear; fittings of metal for footwear; climbing shoes; mountain climbing shoes (with metal spikes); rain boots; aqua shoes; headwear, hats, caps, visors; headbands [clothing]; stockings; socks; hosiery; girdles; leggings [leg warmers]; leg warmers; gloves [clothing], fingerless gloves, ski gloves, mittens; scarves; bandanas [neckerchiefs]; belts [clothing]; salopettes for sailing; clothing, footwear and headgear for sailing, water sports, shooting, hunting, hiking, riding and equestrian; thermally insulated clothing, other than for protection against accident or injury; insulated jackets; waterproof anorak.

Class 35:

Retail and wholesale services, mail order, catalogue services, on-line sale services and distributorship of goods in relation to clothing, outerclothing, jackets, safari jackets, jerseys [clothing], overalls, overcoats, sweaters, pullovers, coats, vests, gilets, Tee-shirts, parkas, knitwear, fleeces, fleece clothing, waistcoats, trousers, shorts, tights, underclothing, boxer shorts, beach clothes, down clothing, children's clothing, infrared clothing, top coats, waterproof clothing, waterproof jackets, sportswear, sports jerseys, sports jackets, sports singlets, wind resistant jackets, windbreaker, wet suits for water-skiing, swimsuits, wetsuits for water sports, raincoat, footwear, boots, slippers, beach shoes, sandals, shoes, sports shoes, non-slipping devices for footwear, fittings of metal for footwear, climbing shoes, mountain climbing shoes (with metal spikes), rain boots, aqua shoes, headwear, hats, caps, visors, headbands [clothing], stockings, socks, hosiery, girdles, leggings [leg warmers], leg warmers, gloves [clothing], fingerless gloves, ski gloves, mittens, scarves, bandanas [neckerchiefs], belts [clothing], salopettes

for sailing, clothing, footwear and headgear for sailing, water sports, shooting, hunting, hiking, riding and equestrian, thermally insulated clothing, other than for protection against accident or injury, insulated jackets; retail and wholesale services, mail order, catalogue services, on-line sale services and distributorship of goods in relation to luggage, bags, carrying bags, rucksacks, backpacks, trunks and travelling bags, bags for climbers, bags for campers, bags for mountaineers, game bags (hunting accessories), hunting bags, hip bags, chest bags and bags for sports, beach bags, handbags, shopping bags, waist bags, tool bags, empty, wash bags, valises, suitcases, briefcases, purses, pocket wallets, passport holder (wallet), cases of leather or leatherboard, business card cases, key cases, travelling sets [leatherware], umbrellas and parasols, walking sticks, shooting sticks, hiking sticks, mountaineering sticks, whips, harness and saddlery, leather straps and leashes, belts (made of leather), shoulder belts [straps] of leather, collars, clothing and leashes for animals; retail and wholesale services, mail order, catalogue services, on-line sale services and distributorship of goods in relation to nautical apparatus and instruments, life saving apparatus and equipment, life jackets, life belts, buoyancy aids, buoyancy jackets and buoyancy smocks, survival blankets, protective clothing, vests, jackets and gloves, protective headgear, protective footwear, protective eye pieces, protective knee pads, protective masks, protective body armour and shields, protection devices for personal use against accidents, diving suits, divers' masks, ear plugs for divers, nose clips for divers and swimmers, gloves for divers, breathing apparatus, waterproof anorak, riding hats and helmets, reflective articles for wear, eyewear, sports eyewear, sunglasses, protective eyewear, field glasses, goggles for sports, binoculars, cases for eyewear, spectacles, sports eyewear, protective eyewear, sunglasses, field glasses, goggles for sports, binoculars, retainers for eyewear, spectacles, sports eyewear, protective eyewear, sunglasses, field glasses, goggles for sports, binoculars, earphones, headphones, emergency and rescue flares, safety belts and harnesses, time recording apparatus, wearable activity trackers, network communication device, marine and directional compasses, telescopes, binoculars,

navigational apparatus and instruments, GPS apparatus and instruments, signal lanterns, laptop cases, computer cases, covers for tablet computers, covers for mobile phones, battery packs, solar battery chargers, portable solar panels for generating electricity and charging electrical devices, dog whistles, signalling whistles, whistle alarms and sport whistles, parts and fittings for all the aforesaid goods; retail and wholesale services, mail order, catalogue services, on-line sale services and distributorship of goods in relation to precious metals and their alloys and goods of precious metals or coated therewith, jewellery, ornaments (jewellery), horological and chronometric instruments, wristwatches, clocks, drinking bottles, drinking vessels, straws for drinking, thermally insulated containers for food, heat insulated containers for beverages, containers for food and beverages; retail and wholesale services, mail order, catalogue services, on-line sale services and distributorship of goods in relation to games and playthings, gymnastic and sporting articles, sporting articles, hunting and fishing equipment, weapons and ammunition for hunting, gun slips and holders, bags, cases, belts and pouches for guns and rifles, bags, cases, belts and pouches for cartridges and ammunition, protective recoil body shields and pads, body recoil shields and pads for use in shooting and hunting, gun care and cleaning equipment; all the aforementioned services also available online; presentation of goods and communication media, for retail purposes; promotion of goods and services through sponsorship of sports events; sponsorship search; administration of consumer loyalty programs; franchising, namely providing business assistance in the establishment and/or operation of retail stores, department stores, specialty stores, outlet stores and online stores; providing business assistance in relating to franchising; business consultation and advisory services relating to franchising; commercial administration of the licensing of the goods and services of others; advertising, marketing; business management; business administration; organisation of trade fairs; import-export agency services; sales promotion for others; procurement services for others [purchasing goods and services for other businesses]; office functions.

[526]	卸棄: Disclaimer:	N/A
[529]	限制: Limitation:	N/A
[527]	條件: Condition: 其他: Others	N/A
[220]	提交日期: Date of Filing:	29-09-2021
[320]	聲稱具有優先權的日期: Date of Priority Claimed:	N/A
[310]	優先權申請編號: Priority Application Number:	N/A
[340]	聲稱具有優先權 (部分): Priority Claim Details:	N/A
[330]	優先權申請的 國家、地區、地方: Country, territory, area of Priority Applications:	N/A
<hr/>		
[210]	商標申請編號: Application No.:	305759867
[540]	商標: Mark:	
[550]	商標種類: Mark Type: 一系列商標: Series Mark:	Ordinary NO
[571]	商標描述: Mark Description:	N/A
[730]	註冊申請人的姓名 / 名稱、地址: Applicant(s)' Name,Address:	ADEN SERVICES (GROUP) CO., LIMITED FLAT/RM 806, CAPITOL CENTRE, 5-19 JARDINE'S BAZAAR, CAUSE-WAY BAY HONG KONG
[740/ 750]	註冊申請人的送達地址: Applicant's Address for Service:	C&H IP LAW LIMITED 8/F., China Hong Kong Tower, 8-12 Hennessy Road, Wan Chai HONG KONG
[511]	類別編號: Class(es) No(s) .:	9,35,37,42

- [511] 貨品 / 服務說明 :
Specification:
- Class 9:
Computer software applications, downloadable;
mobile phone software applications,
downloadable; digital image scanner; digital
to analog converter; surveying apparatus and
instruments; Hand-held 3D scanners; batteries,
electric, for vehicles; accumulators,
electric, for vehicles
Class 35:
Advisory services for business management;
business data analysis; business management
consultancy; commercial consulting for
enterprises; commercial management for others;
marketing services; provision of an online
marketplace for buyers and sellers of goods
and services; secretarial services
Class 37:
construction information; Construction project
management services; upholstering; heating
equipment installation and repair; electric
appliance installation and repair; burglar
alarm installation and repair; vehicle battery
charging
Class 42:
Consultancy in the field of energy-saving;
measurement and analysis of greenhouse gas
emissions; research and development of new
products for others; research in the field of
environmental protection; research on reducing
carbon emissions; technical consultation in
the field of pollution detection;
architectural consultancy; construction
drafting; interior design; research in the
field of building construction; design of
exhibition venues; computer program
development for architecture and automation
production recorded on data media (software);
computer software design; computer software
maintenance and upgrade; Design and
development of virtual reality software;
software design and development; software as a
service [SaaS]; Architectural advisory
services on buildings
- [526] 卸棄 :
Disclaimer: N/A
- [529] 限制 :
Limitation: N/A
- [527] 條件 :
Condition: N/A
- 其他 :
Others N/A
- [220] 提交日期 :
Date of Filing: 29-09-2021
- [320] 聲稱具有優先權的日期 :
Date of Priority Claimed: N/A

[310] 優先權申請編號 : N/A
Priority Application Number:

[340] 聲稱具有優先權 (部分) : N/A
Priority Claim Details:

[330] 優先權申請的
國家、地區、地方 : N/A
Country, territory, area of
Priority Applications:

[210] 商標申請編號 : 305762142
Application No.:

[540] 商標 :
Mark:



[550] 商標種類 : 一般商標
Mark Type:

一系列商標 : 否
Series Mark:

[571] 商標描述 : 不適用
Mark Description:

[730] 註冊申請人的姓名 / 名稱、地址 : 中聯西科技 (香港) 有限公司
Applicant (s) ' 香港
Name, Address: 九龍尖沙咀漆咸道南 45-51 號
其士大廈 803 室

[740/ 註冊申請人的送達地址 : 勁標國際知識產權代理有限公司
750] Applicant's Address for 香港
Service: 中環干諾道中 1 號
AIA 友邦金融中心大廈 28 樓

[511] 類別編號 : 9
Class(es) No(s) .:

[511] 貨品 / 服務說明 : 類別 9:
Specification: 光通訊設備; 網絡通訊設備; 電纜; 電線; 電源材料 (電線、電纜); 絕緣銅線; 電話線; 同軸電纜; 纖維光纜; 避雷器。

[526] 卸棄 : 不適用
Disclaimer:

[529] 限制 : 不適用
Limitation:

[527] 條件 : 不適用
Condition:

其他 : 不適用
Others
[220] 提交日期 : 29-11-2021
Date of Filing:
[320] 聲稱具有優先權的日期 : 不適用
Date of Priority Claimed:
[310] 優先權申請編號 : 不適用
Priority Application Number:
[340] 聲稱具有優先權 (部分) : 不適用
Priority Claim Details:
[330] 優先權申請的
國家、地區、地方 : 不適用
Country, territory, area of
Priority Applications:

[210] 商標申請編號 : 305762151
Application No.:

[540] 商標 :
Mark:



[550] 商標種類 : 一般商標
Mark Type:

一系列商標 : 否
Series Mark:

[571] 商標描述 : 不適用
Mark Description:

[730] 註冊申請人的姓名 / 名稱、地址 : 中聯西科技 (香港) 有限公司
Applicant(s) ' 香港
Name, Address: 九龍尖沙咀漆咸道南 45-51 號
其士大廈 803 室

[740/ 註冊申請人的送達地址 : 勁標國際知識產權代理有限公司
750] Applicant's Address for 香港
Service: 中環干諾道中 1 號

[511] 類別編號 : 9
Class(es) No(s) .:

[511] 貨品 / 服務說明 : Specification:	類別 9: 光通訊設備; 網絡通訊設備; 電纜; 電線; 電源材料 (電線、電纜); 絕緣銅線; 電話線; 同軸電纜; 纖維光纜; 避雷器。
[526] 卸棄 : Disclaimer:	不適用
[529] 限制 : Limitation:	不適用
[527] 條件 : Condition: 其他 : Others	不適用
[220] 提交日期 : Date of Filing:	29-11-2021
[320] 聲稱具有優先權的日期 : Date of Priority Claimed:	不適用
[310] 優先權申請編號 : Priority Application Number:	不適用
[340] 聲稱具有優先權 (部分) : Priority Claim Details:	不適用
[330] 優先權申請的 國家、地區、地方 : Country, territory, area of Priority Applications:	不適用

[210] 商標申請編號 : Application No.:	305763754
[540] 商標 : Mark:	
[550] 商標種類 : Mark Type: 一系列商標 : Series Mark:	Ordinary NO
[571] 商標描述 : Mark Description:	N/A
[730] 註冊申請人的姓名 / 名稱、地址 : Applicant(s) ' Name, Address:	CAMP S.P.A. COSTRUZIONE ARTICOLI MONTAGNA PREMANA Via Roma, 23, 23834 PREMANA (LC) ITALY
[740/750] 註冊申請人的送達地址 : Applicant's Address for Service:	MINTERELLISON LLP Level 32, Wu Chung House 213 Queen's Road East HONG KONG

- [511] 類別編號 : 6,9
Class(es) No(s) .:
- [511] 貨品 / 服務說明 :
Specification: Class 9:
Safety, security, protection and signalling devices; fall arrest apparatus and protective and safety equipment; life-saving apparatus and instruments being systems, devices and apparatus for people recovery and lifting; protection devices for personal use against accidents; safety harnesses, other than for vehicles or sports purposes, support belts for workers, life belts, safety restraints, other than for vehicle seats and sports equipment, safety ropes and safety fittings in particular carabiners, fasteners, rings, studs, pulleys, cords and lanyards for safety purposes for fall protection; non-slipping safety devices of metal and rubber for fitting to footwear; fall arrest apparatus being protective pads for fall arrests in sporting activities in particular rock climbing; fall arrest lifelines, safety tripods, protective helmets, safety helmets, headgear being protective helmets, protective helmets for sports, helmets for mountaineering, helmets for ski mountaineering and helmets for rock climbing, protective balaclavas, protective visors and masks, safety gloves; parts, spare parts and fittings for all the above mentioned goods; life saving and evacuation and emergency mechanical life-saving apparatus; avalanche probes, evacuation triangles, winches.
- [526] 卸棄 :
Disclaimer: N/A
- [529] 限制 :
Limitation: N/A
- [527] 條件 :
Condition: N/A
- 其他 :
Others N/A
- [220] 提交日期 : 04-10-2021
Date of Filing:
- [320] 聲稱具有優先權的日期 : N/A
Date of Priority Claimed:
- [310] 優先權申請編號 : N/A
Priority Application Number:
- [340] 聲稱具有優先權 (部分) : N/A
Priority Claim Details:
- [330] 優先權申請的
國家、地區、地方 : N/A
Country, territory, area of
Priority Applications:

[210] 商標申請編號 : 305764050

Application No.:

[540] 商標 :

Mark:

ASTERA

[550] 商標種類 : Ordinary

Mark Type:

一系列商標 :

NO

Series Mark:

[571] 商標描述 : N/A

Mark Description:

[730] 註冊申請人的姓名 / 名稱、地址 :

Applicant(s) '

Name,Address:

Astera Distribution Limited

1120, L11, Landmark North

39 Lung Sum Avenue, Sheung Shui N.T.

HONG KONG

[740/ 註冊申請人的送達地址 :

750] Applicant's Address for

Service:

Astera Distribution Limited

1120, L11, Landmark North

39 Lung Sum Avenue, Sheung Shui N.T.

HONG KONG

[511] 類別編號 : 9,11,41

Class(es) No(s) .:

[511] 貨品 / 服務說明 :

Specification:

Class 9:

anti-theft alarms; battery charging equipment;

battery for lightings; cases especially made

for photographic apparatus and instruments;

circuit boards for computer and

telecommunication devices; computer

application software; computer communication

apparatus; computer controllers for operating

lighting apparatus; computer network

apparatus; computer programs used to control

the color of artificial light; control

consoles for lighting apparatus; dimmer

(lights); electronic power supplies for

lighting; infrared wireless communication

devices; light emitting diode lamps; lighting

control apparatus; photographic apparatus;

stage lighting regulators; wireless

transmitters and receivers; radio

communication apparatus;

Class 11:

computer controlled lighting apparatus;

diffusers being parts of lighting apparatus;

electric lighting apparatus; electric lighting

installations; electric light bulbs; electric

light fittings; emergency lights; flood

lights; garden lights; LED (light emitting

diode) lights; LED (light emitting diodes)

light bars; LED (light emitting diodes)

lighting products; LED (light emitting diodes) lighting apparatus; LED (light emitting diodes) lamp clusters; light fixtures; light shades; light projectors; lighting apparatus incorporating power sources; lighting tubes; outdoor lighting; strobe lights for disco; battery operated lantern; portable lamps [for illumination]; spot lamps;

Class 41:

entertainment services; rental of lighting apparatus for theatrical sets or television studios; rental of stage lighting systems and equipment;

- [526] 卸棄 : N/A
Disclaimer:
- [529] 限制 : N/A
Limitation:
- [527] 條件 : N/A
Condition:
其他 : N/A
Others
- [220] 提交日期 : 04-10-2021
Date of Filing:
- [320] 聲稱具有優先權的日期 : N/A
Date of Priority Claimed:
- [310] 優先權申請編號 : N/A
Priority Application Number:
- [340] 聲稱具有優先權 (部分) : N/A
Priority Claim Details:
- [330] 優先權申請的
國家、地區、地方 : N/A
Country, territory, area of
Priority Applications:
-
-

- [210] 商標申請編號 : 305764816
Application No.:

- [540] 商標 :
Mark:





[550]	商標種類: Mark Type:	Ordinary
	一系列商標: Series Mark:	YES
[571]	商標描述: Mark Description:	N/A
[730]	註冊申請人的姓名 / 名稱、地址: Applicant(s)' Name,Address:	Caelus Technologies Limited (奇力士技術有限公司) Room 1405, 135 Bonham Strand Trade Centre, 135 Bonham Strand, Sheung Wan, HONG KONG
[740/750]	註冊申請人的送達地址: Applicant's Address for Service:	FEDERATION OF HONG KONG INDUSTRIES 31/F, Billion Plaza, 8 Cheung Yue Street, Cheung Sha Wan, Kowloon HONG KONG
[511]	類別編號: Class(es) No(s) .:	9
[511]	貨品 / 服務說明: Specification:	Class 9: Chips [integrated circuits]; integrated circuits; integrated circuit cards [smart cards]; semi-conductors; transistors [electronic].
[526]	卸棄: Disclaimer:	N/A
[529]	限制: Limitation:	N/A
[527]	條件: Condition: 其他: Others	N/A N/A
[220]	提交日期: Date of Filing:	05-10-2021
[320]	聲稱具有優先權的日期: Date of Priority Claimed:	N/A
[310]	優先權申請編號: Priority Application Number:	N/A
[340]	聲稱具有優先權 (部分): Priority Claim Details:	N/A
[330]	優先權申請的 國家、地區、地方: Country, territory, area of Priority Applications:	N/A

[210]	商標申請編號 : Application No.:	305765473
[540]	商標 : Mark:	TDXARENA
[550]	商標種類 : Mark Type:	Ordinary
	一系列商標 : Series Mark:	NO
[571]	商標描述 : Mark Description:	N/A
[730]	註冊申請人的姓名 / 名稱、地址 : Applicant (s) ' Name,Address:	THRIVE DX DIGITAL SKILLS TRAINING LTD 5 Shoham st., Paz Building, 5251001 Ramat Gan, ISRAEL
[740/750]	註冊申請人的送達地址 : Applicant's Address for Service:	ECCLES & LEE Suite 3212, Jardine House, 1 Connaught Place, Central, HONG KONG
[511]	類別編號 : Class(es) No(s) .:	9,41
[511]	貨品 / 服務說明 : Specification:	Class 9: Downloadable electronic educational course materials in the field of cyber and information security, computer systems and network penetration testing and ethical hacking. Class 41: Providing an online learning portal (Providing online learning services) in the field of cyber and information security, computer systems and network penetration testing and ethical hacking.
[526]	卸棄 : Disclaimer:	N/A
[529]	限制 : Limitation:	N/A
[527]	條件 : Condition:	N/A
	其他 : Others	N/A
[220]	提交日期 : Date of Filing:	05-10-2021
[320]	聲稱具有優先權的日期 : Date of Priority Claimed:	25-08-2021
[310]	優先權申請編號 : Priority Application Number:	342853
[340]	聲稱具有優先權 (部分) : Priority Claim Details:	N/A
[330]	優先權申請的	ISRAEL

國家、地區、地方：

Country, territory, area of
Priority Applications:

[210] 商標申請編號： 305767679
Application No.:

[540] 商標：
Mark:



[550] 商標種類： 一般商標
Mark Type:

一系列商標： 否
Series Mark:

[571] 商標描述： 不適用
Mark Description:

[730] 註冊申請人的姓名 / 名稱、地址： 胡松坤以"永興鋁窗玻璃防水工程公司之名營業
Applicant(s) ' 香港
Name, Address: 九龍旺角彌敦道 728-730 號

[740/ 註冊申請人的送達地址： 胡松坤
750] Applicant's Address for 香港
Service: 九龍旺角彌敦道
廣安銀行旺角分行大廈 2 樓 C 室

[511] 類別編號： 9
Class(es) No(s) .:

[511] 貨品 / 服務說明： 類別 9：
Specification: 電腦 / 手提電話

[526] 卸棄： 不適用
Disclaimer:

[529] 限制： 不適用
Limitation:

[527] 條件： 不適用
Condition:

其他 : 不適用
Others
[220] 提交日期 : 08-10-2021
Date of Filing:
[320] 聲稱具有優先權的日期 : 不適用
Date of Priority Claimed:
[310] 優先權申請編號 : 不適用
Priority Application Number:
[340] 聲稱具有優先權 (部分) : 不適用
Priority Claim Details:
[330] 優先權申請的
國家、地區、地方 : 不適用
Country, territory, area of
Priority Applications:

[210] 商標申請編號 : 305771872
Application No.:
[540] 商標 :
Mark:

OBSBOT

[550] 商標種類 : 一般商標
Mark Type:
一系列商標 : 否
Series Mark:
[571] 商標描述 : 不適用
Mark Description:
[730] 註冊申請人的姓名 / 名稱、地址 : 睿魔智能科技 (深圳) 有限公司
Applicant (s) ' 中國
Name, Address: 深圳市前海深港合作區
前海深港青年夢工場 6 號樓 220
[740/ 註冊申請人的送達地址 : 精英知識產權服務有限公司
750] Applicant's Address for 香港
Service: 九龍彌敦道 695 號
永如大廈 12 字樓

[511] 類別編號 :	9
Class(es) No(s) .:	
[511] 貨品 / 服務說明 :	類別 9:
Specification:	計算機外圍設備; 手機專用支架; 教學儀器; 聲音和圖像載體用錄製裝置; 嬰兒監控器; 可視嬰兒監控器; 視頻監控器; 戶外監控攝像機; 監視器 (計算機硬件); 監視程序 (計算機程序); 照相機用三腳架; 數碼單反相機; 攝像機; 網絡攝像機; 可下載的手機應用軟件; 可下載的計算機應用軟件; USB 充電器; 自拍杆 (手持單腳架); 平板相機; 照相機專用包。
[526] 卸棄 :	不適用
Disclaimer:	
[529] 限制 :	不適用
Limitation:	
[527] 條件 :	不適用
Condition:	
其他 :	不適用
Others	
[220] 提交日期 :	14-10-2021
Date of Filing:	
[320] 聲稱具有優先權的日期 :	不適用
Date of Priority Claimed:	
[310] 優先權申請編號 :	不適用
Priority Application Number:	
[340] 聲稱具有優先權 (部分) :	不適用
Priority Claim Details:	
[330] 優先權申請的	不適用
國家、地區、地方 :	
Country, territory, area of	
Priority Applications:	

[210] 商標申請編號 :	305771881
Application No.:	
[540] 商標 :	
Mark:	

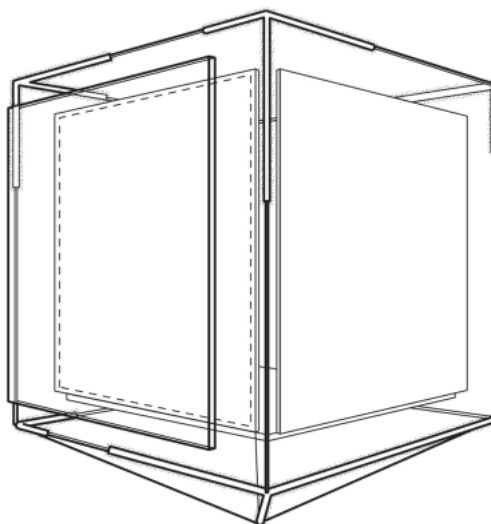
JOYEGG

- [550] 商標種類： 一般商標
Mark Type:
- 一系列商標： 否
Series Mark:
- [571] 商標描述： 不適用
Mark Description:
- [730] 註冊申請人的姓名 / 名稱、地址： 香港卓一電訊有限公司
Applicant(s) ' 香港
Name,Address: 觀塘偉業街 146 號
美嘉工業大廈
- [740/ 註冊申請人的送達地址： 商專國際知識產權事務有限公司
750] Applicant's Address for 香港
Service: 九龍旺角花園街 2-16 號
好景商業中心 10 樓 1005 室 (B)
- [511] 類別編號： 9,35,38
Class(es) No(s) .:
- [511] 貨品 / 服務說明： 類別 9:
Specification: 可下載的計算機程序；手機；可下載的計算機應用軟件；商品
電子標籤；全球定位系統 (GPS) 設備；數據處理設備；無線
電設備；連接器 (數據處理設備)；運載工具用無線電設備；
計算機外圍設備；USB 移動硬碟；USB 閃存盤；電話卡；集
成電路卡。
類別 35:
戶外廣告；廣告；廣告宣傳；無線電廣告；電視廣告；計算機
網絡上的在線廣告；在通信媒體上出租廣告時間；為零售目的
在通信媒體上展示商品；進出口代理；替他人推銷。
類別 38:
電話業務；移動電話通信；電話通信；計算機終端通信；提供
電信信息；電信設備出租；提供與全球計算機網絡的電信連接
服務；全球計算機網絡訪問時間出租；提供全球計算機網絡用
戶接入服務。
- [526] 卸棄： 不適用
Disclaimer:
- [529] 限制： 不適用
Limitation:
- [527] 條件： 不適用
Condition:
- 其他： 不適用
Others
- [220] 提交日期： 14-10-2021
Date of Filing:
- [320] 聲稱具有優先權的日期： 不適用
Date of Priority Claimed:
- [310] 優先權申請編號： 不適用
Priority Application Number:
- [340] 聲稱具有優先權 (部分)： 不適用
Priority Claim Details:
- [330] 優先權申請的 不適用
國家、地區、地方：

Country, territory, area of
Priority Applications:

[210] 商標申請編號 : 305772123
Application No.:

[540] 商標 :
Mark:



[550] 商標種類 : Ordinary
Mark Type:
一系列商標 : NO
Series Mark:

[571] 商標描述 : N/A
Mark Description:

[730] 註冊申請人的姓名 / 名稱、地址 : Dapper Labs Inc.
Applicant(s) ' 350-980 Howe Street,
Name,Address: Vancouver V6Z1N9,
CANADA

[740/ 註冊申請人的送達地址 : CHINA PATENT AGENT (HONG KONG) LIMITED
750] Applicant's Address for 22/F, Great Eagle Centre,
Service: 23 Harbour Road, Wanchai,
HONG KONG

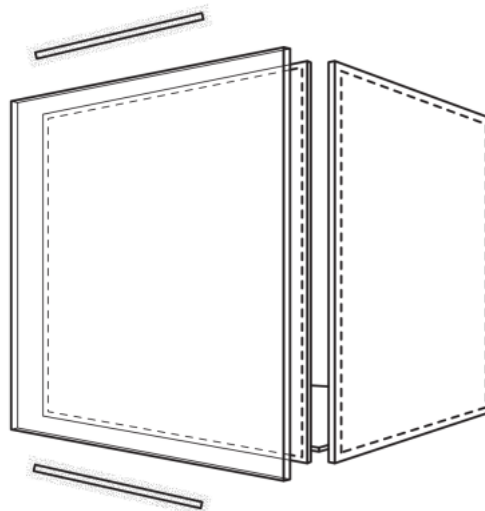
[511] 類別編號 : 9,41
Class(es) No(s) .:

[511] 貨品 / 服務說明 :
Specification:
Class 9:
Digital collectibles in the nature of
interactive data, video and/or audio media,
video clips, photography, music, statistics
(data media), graphics, or visual effects
(video or picture), represented by non-
fungible cryptographic tokens via a blockchain
network, in the field of sports and
entertainment.
Class 41:
Entertainment services, namely, providing on-
line, non-downloadable digital collectibles in
the nature of interactive media, video clips,

photography, music, statistics, graphics, or visual effects, represented by non-fungible cryptographic tokens via a blockchain network, in the field of sports and entertainment.

- [526] 卸棄: N/A
Disclaimer:
- [529] 限制: N/A
Limitation:
- [527] 條件: N/A
Condition:
其他: N/A
Others
- [220] 提交日期: 15-10-2021
Date of Filing:
- [320] 聲稱具有優先權的日期: 30-04-2021
Date of Priority Claimed:
- [310] 優先權申請編號: 90/685764
Priority Application Number:
- [340] 聲稱具有優先權 (部分): N/A
Priority Claim Details:
- [330] 優先權申請的
國家、地區、地方: UNITED STATES OF AMERICA
Country, territory, area of
Priority Applications:

- [210] 商標申請編號: 305772132
Application No.:
- [540] 商標:
Mark:

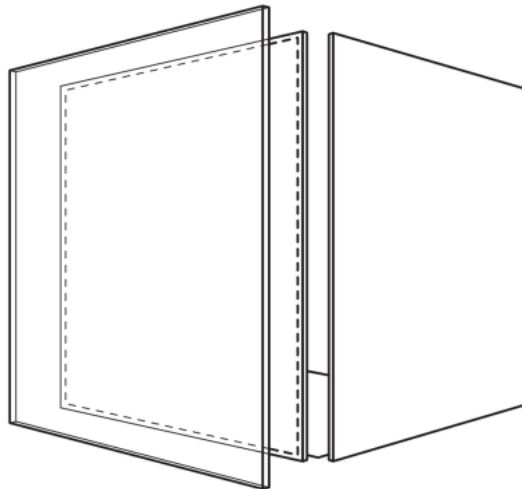


- [550] 商標種類: Ordinary
Mark Type:
一系列商標: NO
Series Mark:

- [571] 商標描述 : N/A
Mark Description:
- [730] 註冊申請人的姓名 / 名稱、地址 : Dapper Labs Inc.
Applicant(s) ' 350-980 Howe Street,
Name,Address: Vancouver V6Z1N9,
CANADA
- [740/ 註冊申請人的送達地址 : CHINA PATENT AGENT (HONG KONG) LIMITED
750] Applicant's Address for 22/F, Great Eagle Centre,
Service: 23 Harbour Road, Wanchai,
HONG KONG
- [511] 類別編號 : 9,41
Class(es) No(s) .:
- [511] 貨品 / 服務說明 : Class 9:
Specification: Digital collectibles in the nature of
interactive data, video and/or audio media,
video clips, photography, music, statistics
(data media), graphics, or visual effects
(video or picture), represented by non-
fungible cryptographic tokens via a blockchain
network, in the field of sports and
entertainment.
Class 41:
Entertainment services, namely, providing on-
line, non-downloadable digital collectibles in
the nature of interactive media, video clips,
photography, music, statistics, graphics, or
visual effects, represented by non-fungible
cryptographic tokens via a blockchain network,
in the field of sports and entertainment.
- [526] 卸棄 : N/A
Disclaimer:
- [529] 限制 : N/A
Limitation:
- [527] 條件 : N/A
Condition:
其他 : N/A
Others
- [220] 提交日期 : 15-10-2021
Date of Filing:
- [320] 聲稱具有優先權的日期 : 30-04-2021
Date of Priority Claimed:
- [310] 優先權申請編號 : 90/685,770
Priority Application Number:
- [340] 聲稱具有優先權 (部分) : N/A
Priority Claim Details:
- [330] 優先權申請的 UNITED STATES OF AMERICA
國家、地區、地方 :
Country, territory, area of
Priority Applications:
-
-

[210] 商標申請編號 : 305772141
Application No.:

[540] 商標 :
Mark:



[550] 商標種類 : Ordinary
Mark Type:

一系列商標 : NO
Series Mark:

[571] 商標描述 : N/A
Mark Description:

[730] 註冊申請人的姓名 / 名稱、地址 : Dapper Labs Inc.
Applicant(s) ' 350-980 Howe Street,
Name,Address: Vancouver V6Z1N9,
CANADA

[740/ 註冊申請人的送達地址 : CHINA PATENT AGENT (HONG KONG) LIMITED
750] Applicant's Address for 22/F, Great Eagle Centre,
Service: 23 Harbour Road, Wanchai,
HONG KONG

[511] 類別編號 : 9,41
Class(es) No(s) .:

[511] 貨品 / 服務說明 : Class 9:
Specification: Digital collectibles in the nature of
interactive data, video and/or audio media,
video clips, photography, music, statistics
(data media), graphics, or visual effects
(video or picture), represented by non-
fungible cryptographic tokens via a blockchain
network, in the field of sports and
entertainment.

Class 41:
Entertainment services, namely, providing on-
line, non-downloadable digital collectibles in
the nature of interactive media, video clips,
photography, music, statistics, graphics, or
visual effects, represented by non-fungible
cryptographic tokens via a blockchain network,
in the field of sports and entertainment.

[526] 卸棄 : N/A
Disclaimer:

[529] 限制 : N/A
Limitation:

[527] 條件 : N/A
Condition:
其他 : N/A
Others

[220] 提交日期 : 15-10-2021
Date of Filing:

[320] 聲稱具有優先權的日期 : 14-04-2021
Date of Priority Claimed:

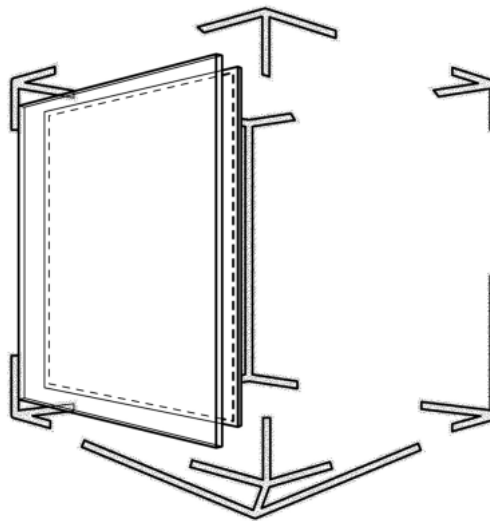
[310] 優先權申請編號 : 90/644,533
Priority Application Number:

[340] 聲稱具有優先權 (部分) : N/A
Priority Claim Details:

[330] 優先權申請的
國家、地區、地方 : UNITED STATES OF AMERICA
Country, territory, area of
Priority Applications:

[210] 商標申請編號 : 305772150
Application No.:

[540] 商標 :
Mark:



[550] 商標種類 : Ordinary
Mark Type:

一系列商標 : NO

Series Mark:

[571] 商標描述 : N/A
Mark Description:

[730] 註冊申請人的姓名 / 名稱、地址 : Dapper Labs Inc.
Applicant (s) ' 350-980 Howe Street,
Name, Address: Vancouver V6Z1N9,
CANADA

[740/ 註冊申請人的送達地址 : CHINA PATENT AGENT (HONG KONG) LIMITED
750] Applicant's Address for 22/F, Great Eagle Centre,
Service: 23 Harbour Road, Wanchai,
HONG KONG
9,41

[511] 類別編號 :
Class(es) No(s) .: Class 9:
[511] 貨品 / 服務說明 : Digital collectibles in the nature of
Specification: interactive data, video and/or audio media,
video clips, photography, music, statistics
(data media), graphics, or visual effects
(video or picture), represented by non-
fungible cryptographic tokens via a blockchain
network, in the field of sports and
entertainment.
Class 41:
Entertainment services, namely, providing on-
line, non-downloadable digital collectibles in
the nature of interactive media, video clips,
photography, music, statistics, graphics, or
visual effects, represented by non-fungible
cryptographic tokens via a blockchain network,
in the field of sports and entertainment.

[526] 卸棄 : N/A
Disclaimer:

[529] 限制 : N/A
Limitation:

[527] 條件 : N/A
Condition:
其他 : N/A
Others

[220] 提交日期 : 15-10-2021
Date of Filing:

[320] 聲稱具有優先權的日期 : 14-04-2021
Date of Priority Claimed:

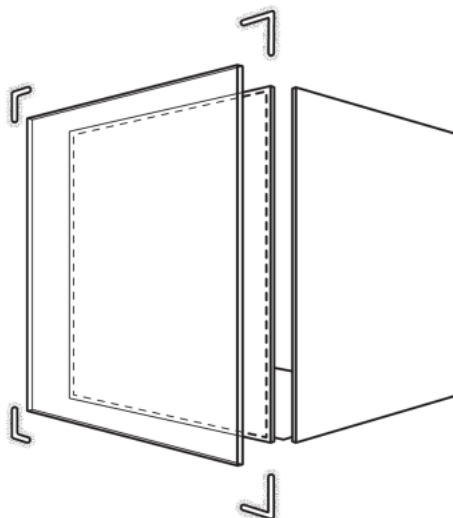
[310] 優先權申請編號 : 90/646,446
Priority Application Number:

[340] 聲稱具有優先權 (部分) : N/A
Priority Claim Details:

[330] 優先權申請的 UNITED STATES OF AMERICA
國家、地區、地方 :
Country, territory, area of
Priority Applications:

[210] 商標申請編號 : 305772169
Application No.:

[540] 商標 :
Mark:



[550] 商標種類 : Ordinary
Mark Type:
一系列商標 : NO
Series Mark:

[571] 商標描述 : N/A
Mark Description:

[730] 註冊申請人的姓名 / 名稱、地址 : Dapper Labs Inc.
Applicant(s) ' 350-980 Howe Street,
Name,Address: Vancouver V6Z1N9,
CANADA

[740/ 註冊申請人的送達地址 : CHINA PATENT AGENT (HONG KONG) LIMITED
750] Applicant's Address for 22/F, Great Eagle Centre,
Service: 23 Harbour Road, Wanchai,
HONG KONG

[511] 類別編號 : 9,41
Class(es) No(s) .:

[511] 貨品 / 服務說明 : Class 9:
Specification: Digital collectibles in the nature of
interactive data, video and/or audio media,
video clips, photography, music, statistics
(data media), graphics, or visual effects
(video or picture), represented by non-
fungible cryptographic tokens via a blockchain
network, in the field of sports and
entertainment.
Class 41:
Entertainment services, namely, providing on-
line, non-downloadable digital collectibles in
the nature of interactive media, video clips,
photography, music, statistics, graphics, or
visual effects, represented by non-fungible
cryptographic tokens via a blockchain network,
in the field of sports and entertainment.

[526] 卸棄 : N/A
Disclaimer:

[529] 限制 : N/A
Limitation:

[527] 條件 : N/A
 Condition:
 其他 : N/A
 Others

[220] 提交日期 : 15-10-2021
 Date of Filing:

[320] 聲稱具有優先權的日期 : 14-04-2021
 Date of Priority Claimed:

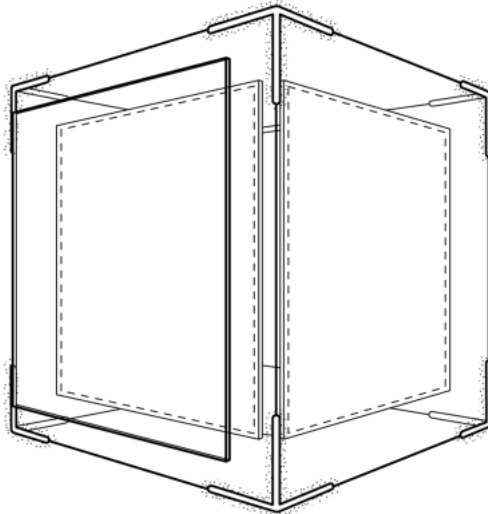
[310] 優先權申請編號 : 90/644,521
 Priority Application Number:

[340] 聲稱具有優先權 (部分) : N/A
 Priority Claim Details:

[330] 優先權申請的
 國家、地區、地方 : UNITED STATES OF AMERICA
 Country, territory, area of
 Priority Applications:

[210] 商標申請編號 : 305772178
 Application No.:

[540] 商標 :
 Mark:



[550] 商標種類 : Ordinary
 Mark Type:
 一系列商標 : NO
 Series Mark:

[571] 商標描述 : N/A
 Mark Description:

[730] 註冊申請人的姓名 / 名稱、地址 : Dapper Labs Inc.
 Applicant(s) ' 350-980 Howe Street,
 Name,Address: Vancouver V6Z1N9,
 CANADA

[740/ 註冊申請人的送達地址 : CHINA PATENT AGENT (HONG KONG) LIMITED
 750] Applicant's Address for 22/F, Great Eagle Centre,
 Service:

23 Harbour Road, Wanchai,
HONG KONG

- [511] 類別編號 : 9,41
Class(es) No(s) .:
- [511] 貨品 / 服務說明 :
Specification:
- Class 9:
Digital collectibles in the nature of interactive data, video and/or audio media, video clips, photography, music, statistics (data media), graphics, or visual effects (video or picture), represented by non-fungible cryptographic tokens via a blockchain network, in the field of sports and entertainment.
- Class 41:
Entertainment services, namely, providing on-line, non-downloadable digital collectibles in the nature of interactive media, video clips, photography, music, statistics, graphics, or visual effects, represented by non-fungible cryptographic tokens via a blockchain network, in the field of sports and entertainment.
- [526] 卸棄 : N/A
Disclaimer:
- [529] 限制 : N/A
Limitation:
- [527] 條件 : N/A
Condition:
- 其他 : N/A
Others
- [220] 提交日期 : 15-10-2021
Date of Filing:
- [320] 聲稱具有優先權的日期 : 14-04-2021
Date of Priority Claimed:
- [310] 優先權申請編號 : 90/644525
Priority Application Number:
- [340] 聲稱具有優先權 (部分) : N/A
Priority Claim Details:
- [330] 優先權申請的
國家、地區、地方 : UNITED STATES OF AMERICA
Country, territory, area of
Priority Applications:
-
-

- [210] 商標申請編號 : 305772420
Application No.:

[540] 商標：
Mark:



[550] 商標種類： 一般商標
Mark Type:
一系列商標： 否
Series Mark:

[571] 商標描述： 不適用
Mark Description:

[730] 註冊申請人的姓名 / 名稱、地址： 香港卓一電訊有限公司
Applicant(s) ' 香港
Name,Address: 觀塘偉業街 146 號
美嘉工業大廈

[740/ 註冊申請人的送達地址： 商專國際知識產權事務有限公司
750] Applicant's Address for 香港
Service: 九龍旺角花園街 2-16 號
好景商業中心 10 樓 1005 室 (B)

[511] 類別編號： 9
Class(es) No(s) .:

[511] 貨品 / 服務說明： 類別 9:
Specification: 可下載的計算機程序； 手機； 可下載的計算機應用軟件； 商品
電子標籤； 全球定位系統 (GPS) 設備； 數據處理設備； 無線
電設備； 連接器 (數據處理設備)； 運載工具用無線電設備；
計算機外圍設備； USB 移動硬碟； USB 閃存盤； 電話卡； 集
成電路卡。

[526] 卸棄： 不適用
Disclaimer:

[529] 限制： 不適用
Limitation:

[527] 條件： 不適用
Condition:
其他： 不適用
Others

[220] 提交日期： 15-10-2021
Date of Filing:

[320] 聲稱具有優先權的日期： 不適用
Date of Priority Claimed:

[310] 優先權申請編號： 不適用

Priority Application Number:

[340] 聲稱具有優先權 (部分): 不適用

Priority Claim Details:

[330] 優先權申請的 不適用

國家、地區、地方:

Country, territory, area of

Priority Applications:

[210] 商標申請編號: 305775436

Application No.:

[540] 商標:

Mark:

THRIVEDX

[550] 商標種類: Ordinary

Mark Type:

一系列商標: NO

Series Mark:

[571] 商標描述: N/A

Mark Description:

[730] 註冊申請人的姓名 / 名稱、地址: THRIVE DX DIGITAL SKILLS TRAINING LTD

Applicant(s) ' 5 Shoham st., Paz Building,

Name,Address: 5251001 Ramat Gan,

ISRAEL

[740/ 註冊申請人的送達地址: ECCLES & LEE

750] Applicant's Address for Suite 3212, Jardine House,

Service: 1 Connaught Place, Central,

HONG KONG

[511] 類別編號: 9, 41, 42

Class(es) No(s) .:

[511] 貨品 / 服務說明: Class 9:

Specification:

Recorded and downloadable educational course materials in a range of fields related to digital skills training, namely, cybersecurity, data protection, computer science, digital marketing, data science, coding, financial technology, network systems administration, mobile application development, UI/UX (User Interface and User Experience) design, 3d (three-dimensional) animation, cloud computing, software quality assurance, blockchain, virtual reality, artificial intelligence, software development, database design and development, information technology and DevOps (Development and Operations); Downloadable computer software for facilitating learning and practice in a range of fields related to digital skills training, namely, cybersecurity, data

protection, computer science, digital marketing, data science, coding, financial technology, network systems administration, mobile application development, UI/UX (User Interface and User Experience) design, 3d (three-dimensional) animation, cloud computing, software quality assurance, blockchain, virtual reality, artificial intelligence, software development, database design and development, information technology and DevOps (Development and Operations); Downloadable computer software for business employees and students containing educational audio, video, images and text files in a range of fields related to digital skills training, namely, cybersecurity, data protection, computer science, digital marketing, data science, coding, financial technology, network systems administration, mobile application development, UI/UX (User Interface and User Experience) design, 3d (three-dimensional) animation, cloud computing, software quality assurance, blockchain, virtual reality, artificial intelligence, software development, database design and development, information technology and DevOps (Development and Operations); Downloadable computer software to facilitate teaching and training in a range of fields related to digital skills training, namely, cybersecurity, data protection, computer science, digital marketing, data science, coding, financial technology, network systems administration, mobile application development, UI/UX (User Interface and User Experience) design, 3d (three-dimensional) animation, cloud computing, software quality assurance, blockchain, virtual reality, artificial intelligence, software development, database design and development, information technology and DevOps (Development and Operations); Downloadable computer software for checking and estimating skills and qualifications in the field of data protection and cyber security.

Class 41:

Educational services, namely, providing courses of instruction, tutorials, workshops and training in a range of fields related to digital skills training, namely, cybersecurity, data protection, computer science, digital marketing, data science, coding, financial technology, network systems administration, mobile application development, UI/UX (User Interface and User Experience) design, 3d (three-dimensional) animation, cloud computing, software quality

assurance, blockchain, virtual reality, artificial intelligence, software development, database design and development, information technology and DevOps (Development and Operations).

Class 42:

Providing non-downloadable computer software for facilitating learning and practice in a range of fields related to digital skills training, namely, cybersecurity, data protection, computer science, digital marketing, data science, coding, financial technology, network systems administration, mobile application development, UI/UX (User Interface and User Experience) design, 3d (three-dimensional) animation, cloud computing, software quality assurance, blockchain, virtual reality, artificial intelligence, software development, database design and development, information technology and DevOps (Development and Operations); Providing non-downloadable computer software for business and students containing educational audio, video, images and text files in a range of fields related to digital skills training, namely, cybersecurity, data protection, computer science, digital marketing, data science, coding, financial technology, network systems administration, mobile application development, UI/UX (User Interface and User Experience) design, 3d (three-dimensional) animation, cloud computing, software quality assurance, blockchain, virtual reality, artificial intelligence, software development, database design and development, information technology and DevOps (Development and Operations); Providing non-downloadable computer software to facilitate teaching in a range of fields related to digital skills training, namely, cybersecurity, data protection, computer science, digital marketing, data science, coding, financial technology, network systems administration, mobile application development, UI/UX (User Interface and User Experience) design, 3d (three-dimensional) animation, cloud computing, software quality assurance, blockchain, virtual reality, artificial intelligence, software development, database design and development, information technology and DevOps (Development and Operations); Software-as-a-Service featuring software for facilitating learning and practice in a range of fields related to digital skills training, namely, cybersecurity, data protection, computer

science, digital marketing, data science, coding, financial technology, network systems administration, mobile application development, UI/UX (User Interface and User Experience) design, 3d (three-dimensional) animation, cloud computing, software quality assurance, blockchain, virtual reality, artificial intelligence, software development, database design and development, information technology and DevOps (Development and Operations); Software-as-a-Services featuring software for business and students containing educational audio, video, images and text files in a range of fields related to digital skills training, namely, cybersecurity, data protection, computer science, digital marketing, data science, coding, financial technology, network systems administration, mobile application development, UI/UX (User Interface and User Experience) design, 3d (three-dimensional) animation, cloud computing, software quality assurance, blockchain, virtual reality, artificial intelligence, software development, database design and development, information technology and DevOps (Development and Operations); Software-as-a-Services featuring software to facilitate teaching and training in a range of fields related to digital skills training, namely, cybersecurity, data protection, computer science, digital marketing, data science, coding, financial technology, network systems administration, mobile application development, UI/UX (User Interface and User Experience) design, 3d (three-dimensional) animation, cloud computing, software quality assurance, blockchain, virtual reality, artificial intelligence, software development, database design and development, information technology and DevOps (Development and Operations); Cybersecurity services in relation to cybersecurity risk assessment, software code review, incident response, penetration testing, adversarial attack simulation, phishing campaigns, wireless assessment, cybersecurity compliance and cybersecurity governance; Outsourced CISO (Chief Information Security Officer) services [Data security services]; Providing non-downloadable computer software for checking and estimating skills and qualifications in the field of data protection and cyber security.

[526] 卸棄:

N/A

Disclaimer:

[529] 限制 : Limitation:	N/A
[527] 條件 : Condition:	N/A
其他 : Others	N/A
[220] 提交日期 : Date of Filing:	19-10-2021
[320] 聲稱具有優先權的日期 : Date of Priority Claimed:	14-07-2021
[310] 優先權申請編號 : Priority Application Number:	341418
[340] 聲稱具有優先權 (部分) : Priority Claim Details:	N/A
[330] 優先權申請的 國家、地區、地方 : Country, territory, area of Priority Applications:	ISRAEL
<hr/>	
[210] 商標申請編號 : Application No.:	305775490
[540] 商標 : Mark:	ELEKTRONIKON
[550] 商標種類 : Mark Type:	Ordinary
一系列商標 : Series Mark:	NO
[571] 商標描述 : Mark Description:	N/A
[730] 註冊申請人的姓名 / 名稱、地址 : Applicant (s) ' Name,Address:	Atlas Copco Airpower N.V. Boomsesteenweg 957 2610 Wilrijk BELGIUM
[740/ 註冊申請人的送達地址 : 750] Applicant's Address for Service:	WENPING PATENT & TRADE MARK AGENT LIMITED 1701 Tung Wai Commercial Building, 111 Gloucester Road, HONG KONG
[511] 類別編號 : Class(es) No(s) .:	9
[511] 貨品 / 服務說明 : Specification:	Class 9: Electric and electronic controls for air compressors, air blowers, vacuum pumps, and air treatment apparatus and air treatment devices, namely, air dryers, air filters, air purifiers, air coolers, condensate drains and

oil mist eliminators; electric and electronic regulating devices for regulating gas flow of compressors, blowers, vacuum pumps, and air treatment apparatus and air treatment devices, namely, air dryers, air filters, air purifiers, air coolers, condensate drains and oil mist eliminators; electric or electronic control apparatus and devices for process control, machine control and remote control of industrial processes; electric and/or electronic control devices for compressors; all of the aforementioned goods not related to photographic equipment and not aimed at consumers (to be sold on business-to-business basis).

- [526] 卸棄 : N/A
Disclaimer:
- [529] 限制 : N/A
Limitation:
- [527] 條件 : N/A
Condition:
其他 : N/A
Others
- [220] 提交日期 : 19-10-2021
Date of Filing:
- [320] 聲稱具有優先權的日期 : N/A
Date of Priority Claimed:
- [310] 優先權申請編號 : N/A
Priority Application Number:
- [340] 聲稱具有優先權 (部分) : N/A
Priority Claim Details:
- [330] 優先權申請的
國家、地區、地方 : N/A
Country, territory, area of
Priority Applications:

-
- [210] 商標申請編號 : 305775913
Application No.:

- [540] 商標 :
Mark:

LUMENIS WIZ

- [550] 商標種類 : Ordinary
Mark Type:
一系列商標 : NO
Series Mark:

- [571] 商標描述 : N/A
Mark Description:
- [730] 註冊申請人的姓名 / 名稱、地址 : LUMENIS BE LTD.
Applicant(s) ' Yokneam Industrial Park,
Name,Address: 6 Hakidma Street, Yokneam,
ISRAEL
- [740/ 註冊申請人的送達地址 : VINCENT LUK & ASSOCIATES
750] Applicant's Address for Unit A, 13th Floor, Nathan Commercial
Service: Building,
430 Nathan Road, Kowloon,
HONG KONG
- [511] 類別編號 : 9,42
Class(es) No(s) .:
- [511] 貨品 / 服務說明 : Class 9:
Specification: Downloadable computer software and computer
hardware for connecting, operating, and
managing networked medical devices in the
Internet of Things (IoT), namely, computer
software platforms for IT solutions for
medical devices to integrate with other
applications, applications to manage and to
provide support to health care professionals
and physicians during therapy; recorded and
downloadable analytics and planning software
providing advanced analytics using machine
learning, Internet of Things (IoT), and
artificial intelligence to support
interactions between medical device companies
and healthcare professionals and physicians;
all included in Class 9.
Class 42:
Software as a service (SaaS) for connecting,
operating, and managing networked medical
devices in the Internet of Things (IoT),
namely, computer software platforms for IT
solutions for medical devices to integrate
with other applications, applications to
manage and to provide support to health care
professionals and physicians during therapy;
all included in Class 42.
- [526] 卸棄 : N/A
Disclaimer:
- [529] 限制 : N/A
Limitation:
- [527] 條件 : N/A
Condition:
其他 : By consent, Trade Mark No. 2002B09442.
Others
- [220] 提交日期 : 19-10-2021
Date of Filing:
- [320] 聲稱具有優先權的日期 : 20-04-2021
Date of Priority Claimed:
- [310] 優先權申請編號 : 90657972
Priority Application Number:

[340] 聲稱具有優先權 (部分): N/A
Priority Claim Details:

[330] 優先權申請的 UNITED STATES OF AMERICA
國家、地區、地方:
Country, territory, area of
Priority Applications:

[210] 商標申請編號: 305776859
Application No.:

[540] 商標:
Mark:



[550] 商標種類: Ordinary
Mark Type:

一系列商標: YES
Series Mark:

[571] 商標描述: N/A
Mark Description:

[730] 註冊申請人的姓名 / 名稱、地址: RIGHTMARK TECHNOLOGY LIMITED
Applicant(s) ' Room 2109, 21/F, Kodak House 2,
Name, Address: 39 Healthy Street East, North Point,
HONG KONG

[740/ 註冊申請人的送達地址: REG EASY INTELLECTUAL PROPERTY CO., LIMITED
750] Applicant's Address for 14/F, China Hong Kong Tower
Service: 8 Hennessy Road, Wan Chai
HONG KONG

[511] 類別編號: 9,11
Class(es) No(s) .:

[511] 貨品 / 服務說明: Class 9:
Specification: Computer keyboards; Mouse pads [computer peripheral]; Computer cases; Computer mice; Computer mouse; Computer network routers; Earphones and headphones; Wireless chargers; computers; data processing equipment.
Class 11:
Refrigerated or air-conditioned wine cellar; Refrigerating apparatus and machines; Refrigerating appliances and installations; Refrigerating cabinets; Refrigerating chambers; Refrigerators; Apparatus for lighting, heating, steam generating, cooking, refrigerating, drying, ventilating, water

supply and sanitary purposes; Wine cellars,
electric.

- [526] 卸棄: N/A
Disclaimer:
- [529] 限制: N/A
Limitation:
- [527] 條件: N/A
Condition:
其他: N/A
Others
- [220] 提交日期: 20-10-2021
Date of Filing:
- [320] 聲稱具有優先權的日期: N/A
Date of Priority Claimed:
- [310] 優先權申請編號: N/A
Priority Application Number:
- [340] 聲稱具有優先權 (部分): N/A
Priority Claim Details:
- [330] 優先權申請的
國家、地區、地方: N/A
Country, territory, area of
Priority Applications:
-
-

- [210] 商標申請編號: 305777740
Application No.:
- [540] 商標: A
Mark:



B



- [550] 商標種類 : Ordinary
 Mark Type: YES
 一系列商標 : YES
 Series Mark:
- [571] 商標描述 : The applicant claims the colour green as an
 Mark Description: element of mark "A" in the series.
- [730] 註冊申請人的姓名 / 名稱、地址 : INFINITY TECHNOLOGY CORPORATION LIMITED (淼科技
 Applicant(s) ' 有限公司)
 Name, Address: FLAT/RM E 11/F GRANDION PLAZA
 932 CHEUNG SHA WAN ROAD KL
 HONG KONG
- [740/ 註冊申請人的送達地址 : DIAMI INTELLECTUAL PROPERTY COMPANY LIMITED
 750] Applicant's Address for Unit 1102, 11/F. 88 Gloucester Road,
 Service: Wanchai
 HONG KONG
- [511] 類別編號 : 9, 35, 38, 39, 42, 43
 Class(es) No(s) .:
- [511] 貨品 / 服務說明 : Class 9:
 Specification: Mobile applications; computer application
 software; downloadable computer software for
 electronic apparatus and mobile phone;
 downloadable applications for presenting goods
 and services in databases and immediate order
 placement; computer software for processing or
 facilitating electronic payments and for
 transferring funds to and from others; point-
 of-sale (POS) terminals; downloadable software
 for point-of-sale (POS) transactions, tracking
 sales performance, and managing customers,
 orders, and inventory; network software
 applications being downloadable computer
 programs; interactive and networked software;
 electronic and downloadable vouchers and
 coupons; electronic publications and
 downloadable electronic publications;
 downloadable menus; computer software for the
 collection, editing, organizing, modifying,
 transmission, storage and sharing of data and
 information via computer and communication
 networks.

Class 35:

Advertising, marketing, promotion or publicity services; promoting the goods and services of others; provision, updating and rental of advertising space; sales promotion of goods and services for others in the field of providing food and drink; processing purchase orders; order procurement services for restaurants; business intermediary and broker services for the provision of goods, services, food, drink; arranging business introductions; retail and wholesale services relating to food, drink and agricultural products; opinion polling for restaurant; internet advertising services for restaurants; providing consumer generated reviews for the purposes of consumer research; marketing research; on-line shopping services; providing a web-based system and online portals in the field of consumer-to-business commerce (online ordering services); business information management; management of customer loyalty, incentive and bonus program; advisory and consultancy services in relation to the aforesaid services.

Class 38:

Providing telecommunication access to electronic networks, Intranets and the Internet to facilitate purchase orders; advisory services relating to wireless communications and wireless communications apparatus, equipment, installations, instruments and systems; automatic electronic transmission of data, messages, images and sound via computer networks and communication networks; cellular communications services; communication by computer terminals, tablets PCs, mobile phones, wireless devices and the Internet; communication by telecommunications networks and computer networks; data transmission via the Internet; delivering information and data by electronic means; providing access to a computer database; providing access to an interactive web site on a global computer network; providing access to remote database and information via computer; providing access to websites; rental of communication equipment and apparatus; transmission of data via cellular communication networks; electronic order transmission for e-commerce; electronic order transmission services via computer networks; advisory and consultancy services in relation to the aforesaid services.

Class 39:

Transportation services; delivery of goods; delivery of food and drink, delivery of

foodstuffs and prepared meals; transport reservation; distribution (transportation) services; storage, collection, transport, forwarding and courier services; transportation logistics; arrangement of transportation; packaging and storage of goods; delivery of goods by mail order; transport brokerage; transportation information; advisory and consultancy services in relation to the aforesaid services.

Class 42:

Computer software design and maintenance; computer programming; design and maintenance of web applications; computer services; computer service relating to creating indexes of information, sites and resources on computer networks; computer services relating to shopping services provided from the Internet; operation and providing search engine services for others; software as a service [SaaS]; providing on-line non-downloadable software for placing food order and restaurant reservation via the Internet; creation and maintenance of websites; providing temporary use of non-downloadable software for point-of-sale (POS) transactions, operation and creation of web pages; website content update and maintenance services; updating and hosting of websites; website design, creation and hosting services; computer systems analysis; computer database development; technological services and research and design relating thereto.

Class 43:

Services for providing food and drink; restaurant, cafe, bar services; catering services; club services for the provision of food and drink; contract food services; serving food and drink; food and drink consultancy; preparation of food and drink; restaurant services for the provision of fast food; take away services; corporate hospitality services relating to food and drink; booking of restaurant seats; provision of information relating to food, drink, restaurants, bars; restaurant reservation services; advisory and consultancy services in relation to the aforesaid services.

- | | |
|-------------|-----|
| [526] 卸棄 : | N/A |
| Disclaimer: | |
| [529] 限制 : | N/A |
| Limitation: | |
| [527] 條件 : | N/A |
| Condition: | |
| 其他 : | N/A |

Others

[220] 提交日期:	20-10-2021
Date of Filing:	
[320] 聲稱具有優先權的日期:	N/A
Date of Priority Claimed:	
[310] 優先權申請編號:	N/A
Priority Application Number:	
[340] 聲稱具有優先權 (部分):	N/A
Priority Claim Details:	
[330] 優先權申請的 國家、地區、地方:	N/A
Country, territory, area of Priority Applications:	

[210] 商標申請編號:	305778505
Application No.:	
[540] 商標:	
Mark:	



[550] 商標種類:	一般商標
Mark Type:	
一系列商標:	否
Series Mark:	
[571] 商標描述:	不適用
Mark Description:	
[730] 註冊申請人的姓名 / 名稱、地址:	美的集團股份有限公司
Applicant(s) ' Name, Address:	中國 廣東省佛山市 順德區北滘鎮美的大道 6 號美的總部大樓 B 區 26-28 樓
[740/ 註冊申請人的送達地址:	普衡知識產權代理有限公司
750] Applicant's Address for Service:	香港 上環永樂街 72-74 號 永利大廈 9 字樓 C 室
[511] 類別編號:	7, 9, 11, 21
Class(es) No(s) .:	
[511] 貨品 / 服務說明:	類別 9:
Specification:	便攜式計算機; 觸屏筆; 電子出版物 (可下載); 電子錢包 (可下載計算機軟件); 集成電路卡; 計算機軟件 (已錄製); 計算機外圍設備; 交互式觸屏終端; 具有人工智能的人形機器人; 可下載的計算機應用軟件; 可下載的手機應用軟件; 平板

電腦；掃描儀（數據處理設備）；數據處理設備；液晶顯示器；遠程臨場機器人；智能手錶（數據處理）；廚房用電子計時器；計時器（時間記錄裝置）；全息圖；人臉識別設備；時間記錄裝置；停車計時器；驗鈔機；複印機（照相、靜電、熱）；考勤機；帶身體質量分析儀的秤；數字稱量勺；體重秤；行李箱用便攜式數字秤；嬰兒秤；量具；數字標牌；穿戴式行動追蹤器；導航儀器；路由器；手機用自拍杆；網絡通信設備；無線電設備；智能手機；安全監控機器人；便攜式媒體播放器；穿戴式視頻顯示器；電及電子視頻監控設備；電視機；電子圖書閱讀器；耳機；錄音裝置；麥克風；頭戴式虛擬現實裝置；行車記錄儀；學習機；揚聲器；音頻視頻接收器；嬰兒監控器；視頻投影機；照相機；測量裝置；測試食物用診斷設備；非醫用激光器；非醫用溫度計；感應器（電）；可燃氣體濃度檢測儀；空氣分析儀器；食物分析儀器；視聽教學儀器；遠程控制的遙測設備和儀器；運載工具用測速儀；運載工具用恆溫器；光學器械和儀器；USB 線；電源材料（電線、電纜）；半導體；半導體器件；觸摸屏；傳感器；電插頭；電動調節裝置；電動控制裝置；電開關；電源插座；電子芯片；光學纖維；互感器；視頻顯示屏；數字溫控器；遙控裝置；自動定時開關；避雷器；熱調節裝置；電解裝置；滅火設備；非醫用 X 光裝置；個人用防事故裝置；報警器；電鎖；電子防盜裝置；生物指紋門鎖；煙霧探測器；3D 眼鏡；太陽鏡；眼鏡；電池；電池充電器；移動電源（可充電電池）；動畫片；電柵欄；訓練動物用電子項圈；運動哨；裝飾磁鐵；電子鑰匙卡；計算機程序（可下載軟件）；監視程序（計算機程序）；具有人工智能的人形機器人；可下載的計算機應用軟件；可下載的手機應用軟件；連接器（數據處理設備）；平板電腦；鼠標墊；數據處理設備。

- [526] 卸棄： 不適用
Disclaimer:
- [529] 限制： 不適用
Limitation:
- [527] 條件： 不適用
Condition:
其他： 不適用
Others
- [220] 提交日期： 21-10-2021
Date of Filing:
- [320] 聲稱具有優先權的日期： 不適用
Date of Priority Claimed:
- [310] 優先權申請編號： 不適用
Priority Application Number:
- [340] 聲稱具有優先權（部分）： 不適用
Priority Claim Details:
- [330] 優先權申請的 不適用
國家、地區、地方：
Country, territory, area of
Priority Applications:

[210] 商標申請編號 : 305779649

Application No.:

[540] 商標 :

Mark:

A

ILOGTAIL

B

ilogtail

C

ilogtail

[550] 商標種類 : Ordinary

Mark Type:

一系列商標 :

YES

Series Mark:

[571] 商標描述 : N/A

Mark Description:

[730] 註冊申請人的姓名 / 名稱、地址 :

Applicant(s) '

Name,Address:

Alibaba Cloud (Singapore) Private Limited
8 Shenton Way, #45-01 AXA Tower,
Singapore 068811,
SINGAPORE

[740/ 註冊申請人的送達地址 :

750] Applicant's Address for

Service:

ELLALAN
26th and 28th Floors, The Hennessy,
256 Hennessy Road, Wanchai,
HONG KONG

[511] 類別編號 : 9,42

Class(es) No(s) .:

[511] 貨品 / 服務說明 :

Specification:

Class 9:

Scientific, research, navigation, surveying,
photographic, cinematographic, audiovisual,
optical, weighing, measuring, signalling,
detecting, testing, inspecting, life-saving
and teaching apparatus and instruments;
apparatus and instruments for conducting,
switching, transforming, accumulating,
regulating or controlling the distribution or
use of electricity; apparatus and instruments
for recording, transmitting, reproducing or
processing sound, images or data; recorded and
downloadable media, blank digital or analogue
recording and storage media; magnetic data
carriers, recording discs; mechanisms for
coin-operated apparatus; cash registers,

calculating devices, data processing equipment and computers; computer peripheral devices; diving suits, divers' masks, ear plugs for divers, nose clips for divers and swimmers, gloves for divers, breathing apparatus for underwater swimming; computer programs; software for processing electronic payments to and from others; authentication software; computer software supplied on the Internet; computer software for interactive entertainment, which allows users to customize the viewing, listening, and playing experience by selecting and arranging the display and performance of audio, video and audiovisual elements; instant messaging software; file sharing software; communications software for electronically exchanging data, audio, video, images and graphics via computer, mobile, wireless, and telecommunication networks; computer software in the form of an application for mobile devices and computers; software applications for use with mobile devices; computer software for processing images, graphics, audio, video, and text; downloadable computer software to facilitate the electronic transmission of information, data, documents, voice, and images over the Internet; downloadable computer software which allows users to participate in web-based meetings and classes, with access to data, documents, images and software applications through a web browser; downloadable computer software for accessing, viewing, and controlling remote computers and computer networks; downloadable cloud-computing software; downloadable cloud-based software; computer software (including software downloadable from the Internet); computer, electronic and video games programmes and software (including software downloadable from the Internet); computer board game software; computer game software, downloadable; computer game software, recorded; computer video game programs; computer applications for streaming audio materials, video materials, videos, music, and images; digital media streaming devices; downloadable audio, visual, and audiovisual files and recordings, featuring multimedia entertainment programs and content; online electronic publications (downloadable from the Internet or a computer network or a computer database); digital music (downloadable from the Internet); downloadable games, pictures, motion pictures, movies and music; alarm systems; downloadable electronic publications in the nature of magazines,

articles, brochures, leaflets, datasheets, informational materials, instructional materials in the field of business, e-commerce, information technology, cloud computing, telecommunications, the Internet, business and e-commerce training, business, sales, marketing and financial management; semi-conductors; semi-conductor integrated circuits; semi-conductor memory chips; semi-conductor memory controllers; semi-conductor memory integrated circuits; semi-conductor processor chips; semi-conductor processors; microcontrollers; microcontroller units; low power microcontrollers; circuit chips; computer chips; CPU (central processing unit); RISC-V (reduced instruction set computer-five) computer chips and central processing units; computer chips and central processing units with instruction set architecture; computer peripherals; memory cards for video game machines; notebook computers; laptop computers; portable computers; handheld computers; tablet computers; personal digital assistants; personal media players; telecommunications apparatus; mouse mats; mobile phone handsets; mobile phone accessories; mobile telephones; smart phones; digital cameras; batteries, battery chargers; computer workstations; computer servers; computer and telecommunications networking hardware; computer network adaptors, switches, routers and hubs; wireless and wired modems and communication cards and devices; laptop holders, computer bags; computer hardware and firmware; fire-extinguishing apparatus; automobile navigation system; compact discs; security cameras; mobile radio and television broadcasting units; television broadcasting equipment; cameras; video cameras; headphones; telephone ear pieces; speakers; Global Positioning System (GPS) apparatus and equipment; liquid crystal displays for telecommunications and electronic equipment; set top box; remote control; data storage programs; electronic signboards; encoded or magnetic bank credit, debit, cash and identification cards; automatic teller machines, cash dispensers; electronic book readers; toner cartridges, unfilled, for printers and photocopiers; baby monitors; video baby monitors; lens hoods; encoded key cards; 3D spectacles; spectacles and sunglasses; all included in Class 9.

Class 42:

Scientific and technological services and research and design relating thereto;

industrial analysis and research services; design and development of computer hardware and software; cloud computing; cloud hosting provider services; providing temporary use of non-downloadable cloud-based software and cloud computing software; providing virtual computer systems and virtual computer environments through cloud computing; software as a service (SaaS); computer services in connection with transmitting information, data, documents, and images over the Internet; computer services in connection with providing an online access to interactive computer database featuring movies programming, previews, trailers, sports, concerts, celebrity and entertainment news and other related information; application service provider (ASP) services, namely, hosting computer software applications of others; application service provider (ASP) services providing software in the fields of web-based conferencing, audio conferencing, electronic messaging, document collaboration, video conferencing, and voice and call processing; providing online non-downloadable software for facilitating the interoperability of multiple software applications; providing a website featuring technology that enables users to share information and advice; computer services, namely, creating an online community for registered users to participate in discussions, get feedback from their peers, form virtual communities, engage in social networking, and exchange documents; providing on-line non-downloadable computer software and computer applications for streaming audio materials, video materials, videos, music and images; computer service relating to creating indexes of information, sites and resources on computer networks; providing internet search engines; providing software for searching and retrieving information from databases and computer networks; computer services in relation to providing direct connection services between computer users for exchanging data; research and development relating to semi-conductor, semi-conductor integrated circuits, semi-conductor memory chips, semi-conductor memory controllers, semi-conductor memory integrated circuits, semi-conductor processor chips, semi-conductor processors, microcontrollers, microcontroller units, low power microcontrollers, circuit chips, computer chips, CPU (central processing unit), RISC-V (reduced instruction set computer-five) computer chips and central processing units,

computer chips and central processing units with instruction set architecture; design of computers, notebook computers, laptop computers, portable computers and handheld computers; design of personal digital assistants and personal media players; design of mobile telephones and smart phones; design of digital cameras; computer services; computer services relating to customized searching of computer databases and websites; computer programming; computer integration services; computer analysis services; computer programming in relation to the defence against virus; computer system software services; computer software design; design, development, updating and upgrading of computer and video games software; computer system design; design and development of webpages; hosting webpages for others; hosting computer application; consultancy services in relation to computer software; computer and electronic signal coding and decoding; conversion of physical data and documents into electronic media format; computer services relating to certification of business transactions and preparation of reports therefor; computer and computer network information services; provision of computer security risk management programs; computer security information, knowledge, and testing services; quality assurance services; computer security services for access control to computers, electronic networks and databases; security of data transmission and of transactions via computer networks; consultancy in the field of data security; technological consultancy concerning securing telecommunications; computerized communication network security services; providing information in the fields of Internet, world wide web and computerized communication network security; consulting services in the fields of Internet, world wide web and computerized communication network security services, information security services; authentication services for computer security; computer services in relation to online authentication of electronic signatures; off-site data backup; electronic storage of data; providing information on computer technology and programming via a web site; rental of entertainment software; cartography services; technical support (technical consultancy) services relating to computer software and applications provided online, by email and by telephone; computer technology advice provided to Internet users

by means of a support hotline; providing technical information at the specific request of end-users by means of telephone or global computer network; technical project studies; product testing and evaluation services; architectural and design services; interior designs of buildings, offices and apartments; consultancy, information and advisory services relating to the aforesaid services; all included in Class 42.

- [526] 卸棄 : N/A
Disclaimer:
- [529] 限制 : N/A
Limitation:
- [527] 條件 : N/A
Condition:
其他 : N/A
Others
- [220] 提交日期 : 22-10-2021
Date of Filing:
- [320] 聲稱具有優先權的日期 : N/A
Date of Priority Claimed:
- [310] 優先權申請編號 : N/A
Priority Application Number:
- [340] 聲稱具有優先權 (部分) : N/A
Priority Claim Details:
- [330] 優先權申請的
國家、地區、地方 : N/A
Country, territory, area of
Priority Applications:

- [210] 商標申請編號 : 305782230
Application No.:

- [540] 商標 :
Mark:



- [550] 商標種類 : 一般商標
Mark Type:
一系列商標 : 否
Series Mark:

- [571] 商標描述 : 不適用
Mark Description:

- [730] 註冊申請人的姓名 / 名稱、地址 : 香港衛視國際台有限公司
Applicant(s) ' 香港
Name, Address:

九龍觀塘興業街 23 號
寶業大廈 10 字樓 1006 室

- [740/ 註冊申請人的送達地址 :
750] Applicant's Address for
Service: 恒勝秘書服務有限公司
香港
九龍觀塘興業街 23 號
寶業大廈 10 字樓 1006 室
- [511] 類別編號 :
Class(es) No(s) .: 9,16
- [511] 貨品 / 服務說明 :
Specification: 類別 9:
科學、航海、測地、攝影、電影、光學、衡具、量具、信號、
檢驗 (監督)、救護 (營救) 和教學用具及儀器, 處理、開關
、傳送、積累、調節或控制電的儀器和器具, 錄製、通訊、重
放聲音和形象的器具, 磁性資料載體, 錄音盤, 投幣啟動裝置
的機械結構, 現金收入記錄機, 計算機和資料處理裝置, 滅火
器械。
類別 16:
不屬別類的紙、紙板及其製品, 印刷品, 裝訂用品, 照片, 文
具用品, 文具或家庭用黏合劑, 美術用品, 畫筆, 打字機和辦
公用品 (傢俱除外), 教育或教學用品 (儀器除外), 包裝用
塑膠物品 (不屬別類的), 印刷鉛字, 印版
- [526] 卸棄 :
Disclaimer: 不適用
- [529] 限制 :
Limitation: 不適用
- [527] 條件 :
Condition: 不適用
其他 :
Others: 不適用
- [220] 提交日期 :
Date of Filing: 26-10-2021
- [320] 聲稱具有優先權的日期 :
Date of Priority Claimed: 不適用
- [310] 優先權申請編號 :
Priority Application Number: 不適用
- [340] 聲稱具有優先權 (部分) :
Priority Claim Details: 不適用
- [330] 優先權申請的
國家、地區、地方 :
Country, territory, area of
Priority Applications: 不適用
-
- [210] 商標申請編號 :
Application No.: 305784724

[540] 商標 :

Mark:



- [550] 商標種類 : Ordinary
 Mark Type:
 一系列商標 : NO
 Series Mark:
- [571] 商標描述 : N/A
 Mark Description:
- [730] 註冊申請人的姓名 / 名稱、地址 : SEMK PRODUCTS LIMITED (森科產品有限公司)
 Applicant(s) ' Unit 2806, 28/F, The Octagon
 Name,Address: 6 Sha Tsui Road, Tsuen Wan, New Territories
 HONG KONG
- [740/ 註冊申請人的送達地址 : MARKPAL IP LIMITED
 750] Applicant's Address for Level 12, Infinitus Plaza
 Service: 199 Des Voeux Road Central, Sheung Wan
 HONG KONG
- [511] 類別編號 : 3,9,16,24,26,41
 Class(es) No(s) .:
- [511] 貨品 / 服務說明 : Class 9:
 Specification: Electrical and electronic control apparatus and instruments; photographic apparatus; photographic apparatus and instruments; optical apparatus and instruments; weighing apparatus and instruments; apparatus and instruments for measuring; measuring rulers; apparatus and instruments for recording, transmitting, reproducing or processing sound, images or data; computer software; blank digital or analogue recording and storage media; CDs and DVDs; calculating devices; timers; computers and computer peripheral devices; scanners (data processing equipment); printers; printers for use in electronic printing; internet routers; radios; radios incorporating alarm clocks; cards with encoded strip; chip cards; GPS device and apparatus; juke boxes, musical; eyeglasses; sunglasses; contact lenses; magnifying glasses; magnets; refrigerator magnets; smartwatches; wearable activity trackers; smart cards with microprocessors; virtual reality glasses for

playing virtual reality games; virtual reality headsets for playing virtual reality games; virtual reality models; virtual reality hardware; 3D spectacles; 3D-imaging and visualization apparatus; bathroom scales; digital scales; headphones; earphones; loudspeakers; baby monitors; cameras; instant cameras; telephones; smartphones; tablet computers; diving equipment; diving suits; electronic books (downloadable); animated cartoon; animated films; motion pictures; electronic publications, downloadable; audio and video recordings featuring music and/or animation; computer software for creating and editing animation; application software for creating personalized fitness training programs; ring brackets for holding mobile phones; bags, carrying cases and cases adapted for mobile phones; cases, covers and holders adapted for mobile phones and tablet computers; finger rings for holding mobile phones; sleeves for laptops; sleeves for tablets; protective dust masks; anti-pollution masks for respiratory protection; hands-free sets, charging cables, charging units, charging stations, headsets, all being accessories for mobile phones; data transmission cables; headphone cable winders and/or holders; USB cable winders and/or holders; electric adaptor connectors; electric adaptor cables; electric plugs and sockets; power supply apparatus [batteries]; battery chargers; car chargers; USB car chargers; bags, carrying cases and cases adapted for computers; selfie sticks [hand-held monopods]; covers for electric outlets; game software and entertainment software for use with mobile devices; downloadable graphics for mobile device; game software and entertainment software for use with mobile devices; downloadable audio recordings, video recordings, music, sounds, images, text, publications, signals, software, information, data and code provided via telecommunications networks, by online delivery and by way of the Internet and the world wide web; thermometers not for medical use; digital photo frames; fittings and accessories for the aforesaid; all included in Class 9

- [526] 卸棄 : N/A
Disclaimer:
- [529] 限制 : N/A
Limitation:
- [527] 條件 : N/A
Condition:

其他 : N/A
Others
[220] 提交日期 : 28-10-2021
Date of Filing:
[320] 聲稱具有優先權的日期 : N/A
Date of Priority Claimed:
[310] 優先權申請編號 : N/A
Priority Application Number:
[340] 聲稱具有優先權 (部分) : N/A
Priority Claim Details:
[330] 優先權申請的
國家、地區、地方 : N/A
Country, territory, area of
Priority Applications:

[210] 商標申請編號 : 305784733
Application No.:
[540] 商標 : A
Mark:



B



C



- [550] 商標種類 : Ordinary
 Mark Type:
 一系列商標 : YES
 Series Mark:
- [571] 商標描述 : The applicant claims the colours orange and black as elements of mark "A" in the series.
 Mark Description:
- [730] 註冊申請人的姓名 / 名稱、地址 : SEMK PRODUCTS LIMITED (森科產品有限公司)
 Applicant(s) ' Unit 2806, 28/F, The Octagon
 Name,Address: 6 Sha Tsui Road, Tsuen Wan, New Territories
 HONG KONG
- [740/ 註冊申請人的送達地址 : MARKPAL IP LIMITED
 750] Applicant's Address for Level 12, Infinitus Plaza
 Service: 199 Des Voeux Road Central, Sheung Wan
 HONG KONG
- [511] 類別編號 : 3,9,16,24,26,41
 Class(es) No(s) .:
- [511] 貨品 / 服務說明 : Class 9:
 Specification: Electrical and electronic control apparatus and instruments; photographic apparatus; photographic apparatus and instruments; optical apparatus and instruments; weighing apparatus and instruments; apparatus and instruments for measuring; measuring rulers; apparatus and instruments for recording, transmitting, reproducing or processing sound, images or data; computer software; blank digital or analogue recording and storage media; CDs and DVDs; calculating devices; timers; computers and computer peripheral devices; scanners (data processing equipment); printers; printers for use in electronic printing; internet routers; radios; radios incorporating alarm clocks; cards with encoded strip; chip cards; GPS device and apparatus; juke boxes, musical; eyeglasses; sunglasses; contact lenses; magnifying glasses; magnets; refrigerator magnets; smartwatches; wearable activity trackers; smart cards with microprocessors; virtual reality glasses for playing virtual reality games; virtual reality

headsets for playing virtual reality games; virtual reality models; virtual reality hardware; 3D spectacles; 3D-imaging and visualization apparatus; bathroom scales; digital scales; headphones; earphones; loudspeakers; baby monitors; cameras; instant cameras; telephones; smartphones; tablet computers; diving equipment; diving suits; electronic books (downloadable); animated cartoon; animated films; motion pictures; electronic publications, downloadable; audio and video recordings featuring music and/or animation; computer software for creating and editing animation; application software for creating personalized fitness training programs; ring brackets for holding mobile phones; bags, carrying cases and cases adapted for mobile phones; cases, covers and holders adapted for mobile phones and tablet computers; finger rings for holding mobile phones; sleeves for laptops; sleeves for tablets; protective dust masks; anti-pollution masks for respiratory protection; hands-free sets, charging cables, charging units, charging stations, headsets, all being accessories for mobile phones; data transmission cables; headphone cable winders and/or holders; USB cable winders and/or holders; electric adaptor connectors; electric adaptor cables; electric plugs and sockets; power supply apparatus [batteries]; battery chargers; car chargers; USB car chargers; bags, carrying cases and cases adapted for computers; selfie sticks [hand-held monopods]; covers for electric outlets; game software and entertainment software for use with mobile devices; downloadable graphics for mobile device; game software and entertainment software for use with mobile devices; downloadable audio recordings, video recordings, music, sounds, images, text, publications, signals, software, information, data and code provided via telecommunications networks, by online delivery and by way of the Internet and the world wide web; thermometers not for medical use; digital photo frames; fittings and accessories for the aforesaid; all included in Class 9

- [526] 卸棄 : N/A
Disclaimer:
- [529] 限制 : N/A
Limitation:
- [527] 條件 : N/A
Condition:
- 其他 : N/A

Others

[220] 提交日期:	28-10-2021
Date of Filing:	
[320] 聲稱具有優先權的日期:	N/A
Date of Priority Claimed:	
[310] 優先權申請編號:	N/A
Priority Application Number:	
[340] 聲稱具有優先權 (部分):	N/A
Priority Claim Details:	
[330] 優先權申請的	N/A
國家、地區、地方:	
Country, territory, area of	
Priority Applications:	

[210] 商標申請編號:	305784742
Application No.:	

[540] 商標:
Mark:

A

B

C

D

[550] 商標種類:	Ordinary
Mark Type:	
一系列商標:	YES
Series Mark:	

[571] 商標描述:	The applicant claims the colours orange and black as elements of mark "A" in the series
Mark Description:	

- and the colours orange and white as elements of mark "C" in the series.
- [730] 註冊申請人的姓名 / 名稱、地址 : SEMK PRODUCTS LIMITED (森科產品有限公司)
Applicant(s) ' Unit 2806, 28/F, The Octagon
Name,Address: 6 Sha Tsui Road, Tsuen Wan, New Territories
HONG KONG
- [740/ 註冊申請人的送達地址 : MARKPAL IP LIMITED
750] Applicant's Address for Level 12, Infinitus Plaza
Service: 199 Des Voeux Road Central, Sheung Wan
HONG KONG
- [511] 類別編號 : 3,9,16,24,26,41
Class(es) No(s) .:
- [511] 貨品 / 服務說明 : Class 9:
Specification: Electrical and electronic control apparatus and instruments; photographic apparatus; photographic apparatus and instruments; optical apparatus and instruments; weighing apparatus and instruments; apparatus and instruments for measuring; measuring rulers; apparatus and instruments for recording, transmitting, reproducing or processing sound, images or data; computer software; blank digital or analogue recording and storage media; CDs and DVDs; calculating devices; timers; computers and computer peripheral devices; scanners (data processing equipment); printers; printers for use in electronic printing; internet routers; radios; radios incorporating alarm clocks; cards with encoded strip; chip cards; GPS device and apparatus; juke boxes, musical; eyeglasses; sunglasses; contact lenses; magnifying glasses; magnets; refrigerator magnets; smartwatches; wearable activity trackers; smart cards with microprocessors; virtual reality glasses for playing virtual reality games; virtual reality headsets for playing virtual reality games; virtual reality models; virtual reality hardware; 3D spectacles; 3D-imaging and visualization apparatus; bathroom scales; digital scales; headphones; earphones; loudspeakers; baby monitors; cameras; instant cameras; telephones; smartphones; tablet computers; diving equipment; diving suits; electronic books (downloadable); animated cartoon; animated films; motion pictures; electronic publications, downloadable; audio and video recordings featuring music and/or animation; computer software for creating and editing animation; application software for creating personalized fitness training programs; ring brackets for holding mobile phones; bags, carrying cases and cases adapted for mobile phones; cases, covers and holders adapted for mobile phones and tablet computers; finger rings for holding mobile

phones; sleeves for laptops; sleeves for tablets; protective dust masks; anti-pollution masks for respiratory protection; hands-free sets, charging cables, charging units, charging stations, headsets, all being accessories for mobile phones; data transmission cables; headphone cable winders and/or holders; USB cable winders and/or holders; electric adaptor connectors; electric adaptor cables; electric plugs and sockets; power supply apparatus [batteries]; battery chargers; car chargers; USB car chargers; bags, carrying cases and cases adapted for computers; selfie sticks [hand-held monopods]; covers for electric outlets; game software and entertainment software for use with mobile devices; downloadable graphics for mobile device; game software and entertainment software for use with mobile devices; downloadable audio recordings, video recordings, music, sounds, images, text, publications, signals, software, information, data and code provided via telecommunications networks, by online delivery and by way of the Internet and the world wide web; thermometers not for medical use; digital photo frames; fittings and accessories for the aforesaid; all included in Class 9

- [526] 卸棄 : N/A
Disclaimer:
- [529] 限制 : N/A
Limitation:
- [527] 條件 : N/A
Condition:
其他 : N/A
Others
- [220] 提交日期 : 28-10-2021
Date of Filing:
- [320] 聲稱具有優先權的日期 : N/A
Date of Priority Claimed:
- [310] 優先權申請編號 : N/A
Priority Application Number:
- [340] 聲稱具有優先權 (部分) : N/A
Priority Claim Details:
- [330] 優先權申請的 : N/A
國家、地區、地方 :
Country, territory, area of
Priority Applications:

- [210] 商標申請編號 : 305788054
Application No.:
- [540] 商標 :
Mark:
- ## TRACE FOODSTEPS
- [550] 商標種類 : Ordinary
Mark Type:
一系列商標 : NO
Series Mark:
- [571] 商標描述 : N/A
Mark Description:
- [730] 註冊申請人的姓名 / 名稱、地址 : Mudgeten Pty Ltd
Applicant (s) ' 39 Whitewood Dr, UPPER STURT,
Name,Address: South Australia, 5156
AUSTRALIA
- [740/ 註冊申請人的送達地址 : BAIRUI PATENT & TRADEMARK OFFICE LIMITED
750] Applicant's Address for Flat/Rm1502 Easey Commercial Building
Service: 253-261 Hennessy Road, Wan Chai
HONG KONG
- [511] 類別編號 : 9,35
Class(es) No(s) .:
- [511] 貨品 / 服務說明 : Class 9:
Specification: Computer software platforms, recorded or
downloadable; Computer software (recorded);
Computer programs, downloadable; Computer
software applications (downloadable); Computer
programs, recorded; Electronic publications
(downloadable).
Class 35:
Presentation of goods on communication media,
for retail purposes; Advertising; Marketing;
Online advertising on a computer network;
Sales promotion for others.
- [526] 卸棄 : N/A
Disclaimer:
- [529] 限制 : N/A
Limitation:
- [527] 條件 : N/A
Condition:
其他 : N/A
Others
- [220] 提交日期 : 01-11-2021
Date of Filing:
- [320] 聲稱具有優先權的日期 : N/A
Date of Priority Claimed:
- [310] 優先權申請編號 : N/A
Priority Application Number:
- [340] 聲稱具有優先權 (部分) : N/A
Priority Claim Details:
- [330] 優先權申請的 : N/A
國家、地區、地方 :

Country, territory, area of
Priority Applications:

[210] 商標申請編號 : 305788117
Application No.:

[540] 商標 : A
Mark:



B



C



D



- [550] 商標種類 : Ordinary
 Mark Type:
 一系列商標 : YES
 Series Mark:
- [571] 商標描述 : The applicant claims the colours grey (Pantone Warm Gray 1C / C:20 M:17 Y:19 K:0), purple grey (Pantone 408C / C:44 M:45 Y:41 K:0) and red (Pantone 7622C / C:47 M:100 Y:89 K:18) as elements of mark "A" in the series, and the colours red (Pantone 7622C / C:47 M:100 Y:89 K:18), dark grey (Pantone 437C / C:63 M:62 Y:55 K:5), gradient rose gold (Pantone 7613C / C:31 M:50 Y:39 K:0) and white as elements of mark "B" in the series.
 Mark Description:
- [730] 註冊申請人的姓名 / 名稱、地址 : Bank of China (Hong Kong) Limited
 Applicant(s) ' 14/F, Bank of China Tower,
 Name,Address: 1 Garden Road,
 HONG KONG
- [740/ 註冊申請人的送達地址 : STEVENSON, WONG & CO.
 750] Applicant's Address for 39/F, Gloucester Tower, The Landmark,
 Service: 15 Queen's Road Central
 HONG KONG
- [511] 類別編號 : 9, 35, 36, 38, 42
 Class(es) No(s) .:
- [511] 貨品 / 服務說明 : Class 9:
 Specification: recorded and downloadable media
 Class 35:
 advertising
 Class 36:
 financial affairs; monetary affairs
 Class 38:
 telecommunications services
 Class 42:
 design and development of computer hardware and software
- [526] 卸棄 : N/A
 Disclaimer:
- [529] 限制 : N/A
 Limitation:

[527] 條件 : N/A
 Condition:
 其他 : N/A
 Others

[220] 提交日期 : 01-11-2021
 Date of Filing:

[320] 聲稱具有優先權的日期 : N/A
 Date of Priority Claimed:

[310] 優先權申請編號 : N/A
 Priority Application Number:

[340] 聲稱具有優先權 (部分) : N/A
 Priority Claim Details:

[330] 優先權申請的
 國家、地區、地方 : N/A
 Country, territory, area of
 Priority Applications:

[210] 商標申請編號 : 305789701AA
 Application No.:

[540] 商標 : A
 Mark:



B



[550] 商標種類 : Ordinary
 Mark Type:
 一系列商標 : YES
 Series Mark:

[571] 商標描述 : N/A
 Mark Description:

[730] 註冊申請人的姓名 / 名稱、地址 : STATRYS LIMITED
 Applicant(s) ' Office 4, 10/F., Kwan Chart Tower
 Name,Address: No. 6 Tonnochy Road, Wanchai,
 HONG KONG

[740/ 註冊申請人的送達地址 : PALLAVI SRIVASTAVA
 750] Applicant's Address for 17/F., No. 23 Thomson Road,
 Service: Wanchai
 HONG KONG

[511] 類別編號 : 9, 36, 42
 Class(es) No(s) .:

[511] 貨品 / 服務說明 : Specification:	Class 9: Scientific, research, navigation, surveying, photographic, cinematographic, audiovisual, optical, weighing, measuring, signalling, detecting, testing, inspecting, life-saving and teaching apparatus and instruments; apparatus and instruments for conducting, switching, transforming, accumulating, regulating or controlling the distribution or use of electricity; apparatus and instruments for recording, transmitting, reproducing or processing sound, images or data; recorded and downloadable media, computer software, blank digital or analogue recording and storage media; mechanisms for coin-operated apparatus; cash registers, calculating devices; computers and computer peripheral devices; diving suits, divers' masks, ear plugs for divers, nose clips for divers and swimmers, gloves for divers, breathing apparatus for underwater swimming; fire-extinguishing apparatus. Class 36: Financial, monetary and banking services; insurance services; real estate affairs. Class 42: Scientific and technological services and research and design relating thereto; industrial analysis, industrial research and industrial design services; quality control and authentication services; design and development of computer hardware and software
[526] 卸棄 : Disclaimer:	N/A
[529] 限制 : Limitation:	N/A
[527] 條件 : Condition: 其他 : Others	N/A N/A
[220] 提交日期 : Date of Filing:	02-11-2021
[320] 聲稱具有優先權的日期 : Date of Priority Claimed:	N/A
[310] 優先權申請編號 : Priority Application Number:	N/A
[340] 聲稱具有優先權 (部分) : Priority Claim Details:	N/A
[330] 優先權申請的 國家、地區、地方 : Country, territory, area of Priority Applications:	N/A

[210] 商標申請編號 : 305789701AB
Application No.:

[540] 商標 :
Mark:



[550] 商標種類 : Ordinary
Mark Type:

一系列商標 : NO

Series Mark:

[571] 商標描述 : The applicant claims the colour orange
Mark Description: (Pantone 7625c) as an element of the trade
mark.

[730] 註冊申請人的姓名 / 名稱、地址 : STATRYS LIMITED
Applicant(s) ' Office 4, 10/F., Kwan Chart Tower
Name, Address: No. 6 Tonnochy Road, Wanchai,
HONG KONG

[740/ 註冊申請人的送達地址 : PALLAVI SRIVASTAVA
750] Applicant's Address for 17/F., No. 23 Thomson Road,
Service: Wanchai
HONG KONG

[511] 類別編號 : 9,36,42
Class(es) No(s) .:

[511] 貨品 / 服務說明 : Class 9:
Specification: Scientific, research, navigation, surveying,
photographic, cinematographic, audiovisual,
optical, weighing, measuring, signalling,
detecting, testing, inspecting, life-saving
and teaching apparatus and instruments;
apparatus and instruments for conducting,
switching, transforming, accumulating,
regulating or controlling the distribution or
use of electricity; apparatus and instruments
for recording, transmitting, reproducing or
processing sound, images or data; recorded and
downloadable media, computer software, blank
digital or analogue recording and storage
media; mechanisms for coin-operated apparatus;
cash registers, calculating devices; computers
and computer peripheral devices; diving suits,
divers' masks, ear plugs for divers, nose
clips for divers and swimmers, gloves for
divers, breathing apparatus for underwater
swimming; fire-extinguishing apparatus.
Class 36:
Financial, monetary and banking services;
insurance services; real estate affairs.
Class 42:

Scientific and technological services and research and design relating thereto; industrial analysis, industrial research and industrial design services; quality control and authentication services; design and development of computer hardware and software

[526] 卸棄:	N/A
Disclaimer:	
[529] 限制:	N/A
Limitation:	
[527] 條件:	N/A
Condition:	
其他:	N/A
Others	
[220] 提交日期:	02-11-2021
Date of Filing:	
[320] 聲稱具有優先權的日期:	N/A
Date of Priority Claimed:	
[310] 優先權申請編號:	N/A
Priority Application Number:	
[340] 聲稱具有優先權 (部分):	N/A
Priority Claim Details:	
[330] 優先權申請的	N/A
國家、地區、地方:	
Country, territory, area of	
Priority Applications:	

[210] 商標申請編號:	305789819
Application No.:	
[540] 商標:	A
Mark:	



B



- [550] 商標種類 : Ordinary
 Mark Type:
 一系列商標 : YES
 Series Mark:
- [571] 商標描述 : The applicant claims the colours red and black
 Mark Description: as elements of marks "A" and "B" in the series.
- [730] 註冊申請人的姓名 / 名稱、地址 : MULTI ED LIMITED
 Applicant(s) ' 5-7 TAI FUNG AVENUE,
 Name,Address: TAIKOO SHING,
 HONG KONG
- [740/ 註冊申請人的送達地址 : DEACONS
 750] Applicant's Address for 5th Floor,
 Service: Alexandra House Central
 HONG KONG
- [511] 類別編號 : 9,16,18,25,28,35,36,38,41,42
 Class(es) No(s) .:
- [511] 貨品 / 服務說明 : Class 9:
 Specification: Computer programs; software applications (downloadable); mobile applications; computer software; downloadable electronic publications; downloadable image, music and video files; downloadable educational course materials; audio and video recordings; audiovisual teaching and instructional apparatus; apparatus and instruments for teaching or training; compact disks, DVDs, USB flash drives, and other digital recording media; cases, covers and holders adapted for mobile phones, tablet computers or digital electronic devices; timetables (electronic); data storage cards, devices and media.
 Class 16:
 Paper and cardboard; printed matter; bookbinding material; photographs; stationery and office requisites, except furniture; adhesives for stationery or household purposes; drawing materials and materials for artists; paintbrushes; instructional and teaching materials; plastic sheets, films and bags for wrapping and packaging; printers' type, printing blocks; printed diplomas and certificates; letterheads; envelopes [stationery]; photographs [printed]; albums; calendars; educational materials in written form.
 Class 18:
 Leather and imitations of leather; animal skins and hides; luggage and carrying bags;

umbrellas and parasols; bags; backpacks; briefcases; handbags; wallets; card cases [notecases]; purses; suitcases; key cases and key fobs made of leather or imitation leather; small leather goods; school bags; belts [not for clothing].

Class 25:

Clothing; footwear; headgear; gloves; mittens; belts (clothing); scarfs; hosiery; neckwear [clothing]; suspenders; underwear; uniforms; swimsuits; ponchos.

Class 28:

Games, toys and playthings; gymnastic and sporting articles; stuffed animals [toys]; video game apparatus; decorations for Christmas trees; electronic educational teaching games; educational playthings; toys adapted for educational purposes; sporting apparatus; parts and fittings for all the aforesaid goods.

Class 35:

Advertising; business management, organization and administration; office functions; business advice, consultancy and research; arranging and conducting of fairs, exhibitions and trade shows for commercial and advertising purposes; publication of publicity text; systemization of data into computer databases; data search in computer files for others; organizing promotional event planning services (for business, marketing or advertising purposes); information, advisory and consultancy services relating to the aforesaid services.

Class 36:

Provision, organisation and funding of grants; fundraising; financial sponsorship services; providing scholarships and/or financial assistance; information, advisory and consultancy services relating to the aforesaid.

Class 38:

Telecommunications services; providing access to database, computer networks and websites; providing mobile access to the Internet, computer networks, and Intranets; granting access to computerised databases, computer networks and Internet; transmission of data and information by electronic mail; transmission of data, messages, video, sound, music, electronic publication and information by computer and mobile devices; electronic transmission of streamed and downloadable audio and video files via computer and other communications networks; provision of information relating to telecommunication; audio and video broadcasting via the Internet

or mobile telecommunication platform; audio and video data streaming services on Internet; providing online forums or internet chatrooms; electronic bulletin board services; data transfer and information transfer services via networks provided online from a computer database or the Internet; on-line data and visual conferencing services; on-line electronic bulletin board services; on-line transmission of information; providing on-line chat rooms and electronic bulletin boards for transmission of messages among users; providing access to computer bulletin boards and chatting forums; providing online access to computer databases for real-time interaction in the form of chatting with other computer users; information, advisory and consultancy services relating to the aforesaid services.

Class 41:

Education; providing of training; entertainment; sporting and cultural activities; instruction services; online publication (non-downloadable); publication of texts, books, periodicals, printed matter, photographs, magazines, instructional, teaching materials and educational materials; library services; arranging, conducting and organizing educational examinations and qualification examinations; arranging, conducting and organizing events, conferences, exhibitions, conventions, congresses, classes, seminars, workshops, courses, cultural or sports competitions, shows for cultural, educational or entertainment purposes; arranging, conducting and organizing sporting activities, live performances or cultural activities; career counselling [education and training advice]; computer-based education services; design of educational courses, examinations and qualifications; designing of learning programmes for language studying; providing facilities for educational and training purposes; providing facilities for games, competitions, entertainment and sporting activities; advisory and information services in the fields of education and training provided on-line from a computer database or the Internet; audio production and recording; charitable services, namely academic mentoring, education or training; demonstration for educational, cultural or instructional purposes; direction or presentation of plays for educational and entertainment purposes; entertainment and educational services, namely, providing films,

videos, music videos, animation, musical recordings, radio programming, and multimedia content in the fields of entertainment and education; courses relating to research and development; provision of correspondence courses; production of films, music, audio, visual and/or video programmes; editing of written text; production, publication and distribution [other than transportation] of educational materials; provision of on-site learning programmes; rental of educational apparatus and equipment, instruction apparatus, instructional materials; tuition in sports and in physical fitness; providing information about online education; providing information in the field of education, entertainment, sporting and culture activities through a website; club services relating to entertainment, education and cultural activities; information, advisory and consultancy services relating to the aforesaid services.

Class 42:

Scientific and technological services and research and design relating thereto; design and development of computer hardware and software; technical and industrial research; computer services; computer network services; information technology [IT] consultancy; hosting of websites; computer security services; application service provider services; cloud computing; computer program advisory services; electronic data storage; platform as a service [PaaS]; software as a service [SaaS]; hosting of websites; establishing and maintaining a website for the purpose of communicating with students and their parents through Internet or intranet; information, advisory and consultancy services relating to the aforesaid services.

- | | | |
|-------|------------------------------|------------|
| [526] | 卸棄 : | N/A |
| | Disclaimer: | |
| [529] | 限制 : | N/A |
| | Limitation: | |
| [527] | 條件 : | N/A |
| | Condition: | |
| | 其他 : | N/A |
| | Others | |
| [220] | 提交日期 : | 02-11-2021 |
| | Date of Filing: | |
| [320] | 聲稱具有優先權的日期 : | N/A |
| | Date of Priority Claimed: | |
| [310] | 優先權申請編號 : | N/A |
| | Priority Application Number: | |

[340] 聲稱具有優先權 (部分): N/A
Priority Claim Details:
[330] 優先權申請的 N/A
國家、地區、地方:
Country, territory, area of
Priority Applications:

[210] 商標申請編號: 305789828
Application No.:

[540] 商標:
Mark:



[550] 商標種類: Ordinary
Mark Type:
一系列商標: NO
Series Mark:

[571] 商標描述: The applicant claims the colours red and black
Mark Description: as elements of the trade mark.

[730] 註冊申請人的姓名 / 名稱、地址: MULTI ED LIMITED
Applicant(s) ' 5-7 TAI FUNG AVENUE,
Name,Address: TAIKOO SHING,
HONG KONG

[740/ 註冊申請人的送達地址: DEACONS
750] Applicant's Address for 5th Floor,
Service: Alexandra House Central
HONG KONG

[511] 類別編號: 9,16,18,25,28,35,36,38,41,42
Class(es) No(s) .:

[511] 貨品 / 服務說明: Class 9:
Specification: Computer programs; software applications
(downloadable); mobile applications; computer
software; downloadable electronic
publications; downloadable image, music and
video files; downloadable educational course
materials; audio and video recordings;
audiovisual teaching and instructional
apparatus; apparatus and instruments for
teaching or training; compact disks, DVDs, USB
flash drives, and other digital recording
media; cases, covers and holders adapted for

mobile phones, tablet computers or digital electronic devices; timetables (electronic); data storage cards, devices and media.

Class 16:

Paper and cardboard; printed matter; bookbinding material; photographs; stationery and office requisites, except furniture; adhesives for stationery or household purposes; drawing materials and materials for artists; paintbrushes; instructional and teaching materials; plastic sheets, films and bags for wrapping and packaging; printers' type, printing blocks; printed diplomas and certificates; letterheads; envelopes [stationery]; photographs [printed]; albums; calendars; educational materials in written form.

Class 18:

Leather and imitations of leather; animal skins and hides; luggage and carrying bags; umbrellas and parasols; bags; backpacks; briefcases; handbags; wallets; card cases [notecases]; purses; suitcases; key cases and key fobs made of leather or imitation leather; small leather goods; school bags; belts [not for clothing].

Class 25:

Clothing; footwear; headgear; gloves; mittens; belts (clothing); scarfs; hosiery; neckwear [clothing]; suspenders; underwear; uniforms; swimsuits; ponchos.

Class 28:

Games, toys and playthings; gymnastic and sporting articles; stuffed animals [toys]; video game apparatus; decorations for Christmas trees; electronic educational teaching games; educational playthings; toys adapted for educational purposes; sporting apparatus; parts and fittings for all the aforesaid goods.

Class 35:

Advertising; business management, organization and administration; office functions; business advice, consultancy and research; arranging and conducting of fairs, exhibitions and trade shows for commercial and advertising purposes; publication of publicity text; systemization of data into computer databases; data search in computer files for others; organizing promotional event planning services (for business, marketing or advertising purposes); information, advisory and consultancy services relating to the aforesaid services.

Class 36:

Provision, organisation and funding of grants; fundraising; financial sponsorship services;

providing scholarships and/or financial assistance; information, advisory and consultancy services relating to the aforesaid.

Class 38:

Telecommunications services; providing access to database, computer networks and websites; providing mobile access to the Internet, computer networks, and Intranets; granting access to computerised databases, computer networks and Internet; transmission of data and information by electronic mail; transmission of data, messages, video, sound, music, electronic publication and information by computer and mobile devices; electronic transmission of streamed and downloadable audio and video files via computer and other communications networks; provision of information relating to telecommunication; audio and video broadcasting via the Internet or mobile telecommunication platform; audio and video data streaming services on Internet; providing online forums or internet chatrooms; electronic bulletin board services; data transfer and information transfer services via networks provided online from a computer database or the Internet; on-line data and visual conferencing services; on-line electronic bulletin board services; on-line transmission of information; providing on-line chat rooms and electronic bulletin boards for transmission of messages among users; providing access to computer bulletin boards and chatting forums; providing online access to computer databases for real-time interaction in the form of chatting with other computer users; information, advisory and consultancy services relating to the aforesaid services.

Class 41:

Education; providing of training; entertainment; sporting and cultural activities; instruction services; online publication (non-downloadable); publication of texts, books, periodicals, printed matter, photographs, magazines, instructional, teaching materials and educational materials; library services; arranging, conducting and organizing educational examinations and qualification examinations; arranging, conducting and organizing events, conferences, exhibitions, conventions, congresses, classes, seminars, workshops, courses, cultural or sports competitions, shows for cultural, educational or entertainment purposes; arranging, conducting and organizing sporting

activities, live performances or cultural activities; career counselling [education and training advice]; computer-based education services; design of educational courses, examinations and qualifications; designing of learning programmes for language studying; providing facilities for educational and training purposes; providing facilities for games, competitions, entertainment and sporting activities; advisory and information services in the fields of education and training provided on-line from a computer database or the Internet; audio production and recording; charitable services, namely academic mentoring, education or training; demonstration for educational, cultural or instructional purposes; direction or presentation of plays for educational and entertainment purposes; entertainment and educational services, namely, providing films, videos, music videos, animation, musical recordings, radio programming, and multimedia content in the fields of entertainment and education; courses relating to research and development; provision of correspondence courses; production of films, music, audio, visual and/or video programmes; editing of written text; production, publication and distribution [other than transportation] of educational materials; provision of on-site learning programmes; rental of educational apparatus and equipment, instruction apparatus, instructional materials; tuition in sports and in physical fitness; providing information about online education; providing information in the field of education, entertainment, sporting and culture activities through a website; club services relating to entertainment, education and cultural activities; information, advisory and consultancy services relating to the aforesaid services.

Class 42:

Scientific and technological services and research and design relating thereto; design and development of computer hardware and software; technical and industrial research; computer services; computer network services; information technology [IT] consultancy; hosting of websites; computer security services; application service provider services; cloud computing; computer program advisory services; electronic data storage; platform as a service [PaaS]; software as a service [SaaS]; hosting of websites; establishing and maintaining a website for the

purpose of communicating with students and their parents through Internet or intranet; information, advisory and consultancy services relating to the aforesaid services.

- [526] 卸棄: N/A
Disclaimer:
- [529] 限制: N/A
Limitation:
- [527] 條件: N/A
Condition:
其他: N/A
Others
- [220] 提交日期: 02-11-2021
Date of Filing:
- [320] 聲稱具有優先權的日期: N/A
Date of Priority Claimed:
- [310] 優先權申請編號: N/A
Priority Application Number:
- [340] 聲稱具有優先權 (部分): N/A
Priority Claim Details:
- [330] 優先權申請的
國家、地區、地方: N/A
Country, territory, area of
Priority Applications:

-
- [210] 商標申請編號: 305789837
Application No.:
- [540] 商標:
Mark:



- [550] 商標種類: Ordinary
Mark Type:
一系列商標: NO
Series Mark:
- [571] 商標描述: N/A
Mark Description:
- [730] 註冊申請人的姓名 / 名稱、地址: MULTI ED LIMITED
Applicant(s) ' 5-7 TAI FUNG AVENUE,
Name, Address:

TAIKOO SHING,
HONG KONG

[740/ 註冊申請人的送達地址 :
750] Applicant's Address for
Service:

DEACONS
5th Floor,
Alexandra House Central
HONG KONG

[511] 類別編號 :
Class(es) No(s) .:

9,16,18,25,28,35,36,38,41,42

[511] 貨品 / 服務說明 :
Specification:

Class 9:
Computer programs; software applications
(downloadable); mobile applications; computer
software; downloadable electronic
publications; downloadable image, music and
video files; downloadable educational course
materials; audio and video recordings;
audiovisual teaching and instructional
apparatus; apparatus and instruments for
teaching or training; compact disks, DVDs, USB
flash drives, and other digital recording
media; cases, covers and holders adapted for
mobile phones, tablet computers or digital
electronic devices; timetables (electronic);
data storage cards, devices and media.

Class 16:
Paper and cardboard; printed matter;
bookbinding material; photographs; stationery
and office requisites, except furniture;
adhesives for stationery or household
purposes; drawing materials and materials for
artists; paintbrushes; instructional and
teaching materials; plastic sheets, films and
bags for wrapping and packaging; printers'
type, printing blocks; printed diplomas and
certificates; letterheads; envelopes
[stationery]; photographs [printed]; albums;
calendars; educational materials in written
form.

Class 18:
Leather and imitations of leather; animal
skins and hides; luggage and carrying bags;
umbrellas and parasols; bags; backpacks;
briefcases; handbags; wallets; card cases
[notecases]; purses; suitcases; key cases and
key fobs made of leather or imitation leather;
small leather goods; school bags; belts [not
for clothing].

Class 25:
Clothing; footwear; headgear; gloves; mittens;
belts (clothing); scarfs; hosiery; neckwear
[clothing]; suspenders; underwear; uniforms;
swimsuits; ponchos.

Class 28:
Games, toys and playthings; gymnastic and
sporting articles; stuffed animals [toys];
video game apparatus; decorations for

Christmas trees; electronic educational teaching games; educational playthings; toys adapted for educational purposes; sporting apparatus; parts and fittings for all the aforesaid goods.

Class 35:

Advertising; business management, organization and administration; office functions; business advice, consultancy and research; arranging and conducting of fairs, exhibitions and trade shows for commercial and advertising purposes; publication of publicity text; systemization of data into computer databases; data search in computer files for others; organizing promotional event planning services (for business, marketing or advertising purposes); information, advisory and consultancy services relating to the aforesaid services.

Class 36:

Provision, organisation and funding of grants; fundraising; financial sponsorship services; providing scholarships and/or financial assistance; information, advisory and consultancy services relating to the aforesaid.

Class 38:

Telecommunications services; providing access to database, computer networks and websites; providing mobile access to the Internet, computer networks, and Intranets; granting access to computerised databases, computer networks and Internet; transmission of data and information by electronic mail; transmission of data, messages, video, sound, music, electronic publication and information by computer and mobile devices; electronic transmission of streamed and downloadable audio and video files via computer and other communications networks; provision of information relating to telecommunication; audio and video broadcasting via the Internet or mobile telecommunication platform; audio and video data streaming services on Internet; providing online forums or internet chatrooms; electronic bulletin board services; data transfer and information transfer services via networks provided online from a computer database or the Internet; on-line data and visual conferencing services; on-line electronic bulletin board services; on-line transmission of information; providing on-line chat rooms and electronic bulletin boards for transmission of messages among users; providing access to computer bulletin boards and chatting forums; providing online access to computer databases for real-time

interaction in the form of chatting with other computer users; information, advisory and consultancy services relating to the aforesaid services.

Class 41:

Education; providing of training; entertainment; sporting and cultural activities; instruction services; online publication (non-downloadable); publication of texts, books, periodicals, printed matter, photographs, magazines, instructional, teaching materials and educational materials; library services; arranging, conducting and organizing educational examinations and qualification examinations; arranging, conducting and organizing events, conferences, exhibitions, conventions, congresses, classes, seminars, workshops, courses, cultural or sports competitions, shows for cultural, educational or entertainment purposes; arranging, conducting and organizing sporting activities, live performances or cultural activities; career counselling [education and training advice]; computer-based education services; design of educational courses, examinations and qualifications; designing of learning programmes for language studying; providing facilities for educational and training purposes; providing facilities for games, competitions, entertainment and sporting activities; advisory and information services in the fields of education and training provided on-line from a computer database or the Internet; audio production and recording; charitable services, namely academic mentoring, education or training; demonstration for educational, cultural or instructional purposes; direction or presentation of plays for educational and entertainment purposes; entertainment and educational services, namely, providing films, videos, music videos, animation, musical recordings, radio programming, and multimedia content in the fields of entertainment and education; courses relating to research and development; provision of correspondence courses; production of films, music, audio, visual and/or video programmes; editing of written text; production, publication and distribution [other than transportation] of educational materials; provision of on-site learning programmes; rental of educational apparatus and equipment, instruction apparatus, instructional materials; tuition in sports and in physical fitness; providing information about online education; providing

information in the field of education, entertainment, sporting and culture activities through a website; club services relating to entertainment, education and cultural activities; information, advisory and consultancy services relating to the aforesaid services.

Class 42:

Scientific and technological services and research and design relating thereto; design and development of computer hardware and software; technical and industrial research; computer services; computer network services; information technology [IT] consultancy; hosting of websites; computer security services; application service provider services; cloud computing; computer program advisory services; electronic data storage; platform as a service [PaaS]; software as a service [SaaS]; hosting of websites; establishing and maintaining a website for the purpose of communicating with students and their parents through Internet or intranet; information, advisory and consultancy services relating to the aforesaid services.

- [526] 卸棄 : N/A
Disclaimer:
- [529] 限制 : N/A
Limitation:
- [527] 條件 : N/A
Condition:
其他 : N/A
Others
- [220] 提交日期 : 02-11-2021
Date of Filing:
- [320] 聲稱具有優先權的日期 : N/A
Date of Priority Claimed:
- [310] 優先權申請編號 : N/A
Priority Application Number:
- [340] 聲稱具有優先權 (部分) : N/A
Priority Claim Details:
- [330] 優先權申請的
國家、地區、地方 : N/A
Country, territory, area of
Priority Applications:

-
- [210] 商標申請編號 : 305789846
Application No.:

[540] 商標 :
Mark:

A

德思齊

B

德思齊

[550] 商標種類 : Ordinary
Mark Type:
一系列商標 : YES
Series Mark:

[571] 商標描述 : N/A
Mark Description:

[730] 註冊申請人的姓名 / 名稱、地址 : MULTI ED LIMITED
Applicant(s) ' 5-7 TAI FUNG AVENUE,
Name,Address: TAIKOO SHING,
HONG KONG

[740/ 註冊申請人的送達地址 : DEACONS
750] Applicant's Address for 5th Floor,
Service: Alexandra House Central
HONG KONG

[511] 類別編號 : 9,16,18,25,28,35,36,38,41,42
Class(es) No(s) .:

[511] 貨品 / 服務說明 : Class 9:
Specification: Computer programs; software applications
(downloadable); mobile applications; computer
software; downloadable electronic
publications; downloadable image, music and
video files; downloadable educational course
materials; audio and video recordings;
audiovisual teaching and instructional
apparatus; apparatus and instruments for
teaching or training; compact disks, DVDs, USB
flash drives, and other digital recording
media; cases, covers and holders adapted for
mobile phones, tablet computers or digital
electronic devices; timetables (electronic);
data storage cards, devices and media.
Class 16:
Paper and cardboard; printed matter;
bookbinding material; photographs; stationery
and office requisites, except furniture;
adhesives for stationery or household
purposes; drawing materials and materials for
artists; paintbrushes; instructional and
teaching materials; plastic sheets, films and
bags for wrapping and packaging; printers'
type, printing blocks; printed diplomas and

certificates; letterheads; envelopes [stationery]; photographs [printed]; albums; calendars; educational materials in written form.

Class 18:

Leather and imitations of leather; animal skins and hides; luggage and carrying bags; umbrellas and parasols; bags; backpacks; briefcases; handbags; wallets; card cases [notecases]; purses; suitcases; key cases and key fobs made of leather or imitation leather; small leather goods; school bags; belts [not for clothing].

Class 25:

Clothing; footwear; headgear; gloves; mittens; belts (clothing); scarfs; hosiery; neckwear [clothing]; suspenders; underwear; uniforms; swimsuits; ponchos.

Class 28:

Games, toys and playthings; gymnastic and sporting articles; stuffed animals [toys]; video game apparatus; decorations for Christmas trees; electronic educational teaching games; educational playthings; toys adapted for educational purposes; sporting apparatus; parts and fittings for all the aforesaid goods.

Class 35:

Advertising; business management, organization and administration; office functions; business advice, consultancy and research; arranging and conducting of fairs, exhibitions and trade shows for commercial and advertising purposes; publication of publicity text; systemization of data into computer databases; data search in computer files for others; organizing promotional event planning services (for business, marketing or advertising purposes); information, advisory and consultancy services relating to the aforesaid services.

Class 36:

Provision, organisation and funding of grants; fundraising; financial sponsorship services; providing scholarships and/or financial assistance; information, advisory and consultancy services relating to the aforesaid.

Class 38:

Telecommunications services; providing access to database, computer networks and websites; providing mobile access to the Internet, computer networks, and Intranets; granting access to computerised databases, computer networks and Internet; transmission of data and information by electronic mail; transmission of data, messages, video, sound,

music, electronic publication and information by computer and mobile devices; electronic transmission of streamed and downloadable audio and video files via computer and other communications networks; provision of information relating to telecommunication; audio and video broadcasting via the Internet or mobile telecommunication platform; audio and video data streaming services on Internet; providing online forums or internet chatrooms; electronic bulletin board services; data transfer and information transfer services via networks provided online from a computer database or the Internet; on-line data and visual conferencing services; on-line electronic bulletin board services; on-line transmission of information; providing on-line chat rooms and electronic bulletin boards for transmission of messages among users; providing access to computer bulletin boards and chatting forums; providing online access to computer databases for real-time interaction in the form of chatting with other computer users; information, advisory and consultancy services relating to the aforesaid services.

Class 41:

Education; providing of training; entertainment; sporting and cultural activities; instruction services; online publication (non-downloadable); publication of texts, books, periodicals, printed matter, photographs, magazines, instructional, teaching materials and educational materials; library services; arranging, conducting and organizing educational examinations and qualification examinations; arranging, conducting and organizing events, conferences, exhibitions, conventions, congresses, classes, seminars, workshops, courses, cultural or sports competitions, shows for cultural, educational or entertainment purposes; arranging, conducting and organizing sporting activities, live performances or cultural activities; career counselling [education and training advice]; computer-based education services; design of educational courses, examinations and qualifications; designing of learning programmes for language studying; providing facilities for educational and training purposes; providing facilities for games, competitions, entertainment and sporting activities; advisory and information services in the fields of education and training provided on-line from a computer database or the Internet; audio production and

recording; charitable services, namely academic mentoring, education or training; demonstration for educational, cultural or instructional purposes; direction or presentation of plays for educational and entertainment purposes; entertainment and educational services, namely, providing films, videos, music videos, animation, musical recordings, radio programming, and multimedia content in the fields of entertainment and education; courses relating to research and development; provision of correspondence courses; production of films, music, audio, visual and/or video programmes; editing of written text; production, publication and distribution [other than transportation] of educational materials; provision of on-site learning programmes; rental of educational apparatus and equipment, instruction apparatus, instructional materials; tuition in sports and in physical fitness; providing information about online education; providing information in the field of education, entertainment, sporting and culture activities through a website; club services relating to entertainment, education and cultural activities; information, advisory and consultancy services relating to the aforesaid services.

Class 42:

Scientific and technological services and research and design relating thereto; design and development of computer hardware and software; technical and industrial research; computer services; computer network services; information technology [IT] consultancy; hosting of websites; computer security services; application service provider services; cloud computing; computer program advisory services; electronic data storage; platform as a service [PaaS]; software as a service [SaaS]; hosting of websites; establishing and maintaining a website for the purpose of communicating with students and their parents through Internet or intranet; information, advisory and consultancy services relating to the aforesaid services.

- [526] 卸棄 : N/A
Disclaimer:
- [529] 限制 : N/A
Limitation:
- [527] 條件 : N/A
Condition:
- 其他 : N/A
Others

[220] 提交日期 : 02-11-2021
Date of Filing:
[320] 聲稱具有優先權的日期 : N/A
Date of Priority Claimed:
[310] 優先權申請編號 : N/A
Priority Application Number:
[340] 聲稱具有優先權 (部分) : N/A
Priority Claim Details:
[330] 優先權申請的 : N/A
國家、地區、地方 :
Country, territory, area of
Priority Applications:

[210] 商標申請編號 : 305789855
Application No.:
[540] 商標 :
Mark:

DSC

[550] 商標種類 : Ordinary
Mark Type:
一系列商標 : NO
Series Mark:
[571] 商標描述 : N/A
Mark Description:
[730] 註冊申請人的姓名 / 名稱、地址 : MULTI ED LIMITED
Applicant(s) ' 5-7 TAI FUNG AVENUE,
Name,Address: TAIKOO SHING,
HONG KONG
[740/ 註冊申請人的送達地址 : DEACONS
750] Applicant's Address for 5th Floor,
Service: Alexandra House Central
HONG KONG
[511] 類別編號 : 9,16,18,25,28,35,36,38
Class(es) No(s) :
[511] 貨品 / 服務說明 : Class 9:
Specification: Computer programs; software applications
(downloadable); mobile applications; computer
software; downloadable electronic
publications; downloadable image, music and
video files; downloadable educational course
materials; audio and video recordings;
audiovisual teaching and instructional
apparatus; apparatus and instruments for

teaching or training; compact disks, DVDs, USB flash drives, and other digital recording media; cases, covers and holders adapted for mobile phones, tablet computers or digital electronic devices; timetables (electronic); data storage cards, devices and media.

Class 16:

Paper and cardboard; printed matter; bookbinding material; photographs; stationery and office requisites, except furniture; adhesives for stationery or household purposes; drawing materials and materials for artists; paintbrushes; instructional and teaching materials; plastic sheets, films and bags for wrapping and packaging; printers' type, printing blocks; printed diplomas and certificates; letterheads; envelopes [stationery]; photographs [printed]; albums; calendars; educational materials in written form.

Class 18:

Leather and imitations of leather; animal skins and hides; luggage and carrying bags; umbrellas and parasols; bags; backpacks; briefcases; handbags; wallets; card cases [notecases]; purses; suitcases; key cases and key fobs made of leather or imitation leather; small leather goods; school bags; belts [not for clothing].

Class 25:

Clothing; footwear; headgear; gloves; mittens; belts (clothing); scarfs; hosiery; neckwear [clothing]; suspenders; underwear; uniforms; swimsuits; ponchos.

Class 28:

Games, toys and playthings; gymnastic and sporting articles; stuffed animals [toys]; video game apparatus; decorations for Christmas trees; electronic educational teaching games; educational playthings; toys adapted for educational purposes; sporting apparatus; parts and fittings for all the aforesaid goods.

Class 35:

Advertising; business management, organization and administration; office functions; business advice, consultancy and research; arranging and conducting of fairs, exhibitions and trade shows for commercial and advertising purposes; publication of publicity text; systemization of data into computer databases; data search in computer files for others; organizing promotional event planning services (for business, marketing or advertising purposes); information, advisory and consultancy services relating to the aforesaid services.

Class 36:

Provision, organisation and funding of grants; fundraising; financial sponsorship services; providing scholarships and/or financial assistance; information, advisory and consultancy services relating to the aforesaid.

Class 38:

Telecommunications services; providing access to database, computer networks and websites; providing mobile access to the Internet, computer networks, and Intranets; granting access to computerised databases, computer networks and Internet; transmission of data and information by electronic mail; transmission of data, messages, video, sound, music, electronic publication and information by computer and mobile devices; electronic transmission of streamed and downloadable audio and video files via computer and other communications networks; provision of information relating to telecommunication; audio and video broadcasting via the Internet or mobile telecommunication platform; audio and video data streaming services on Internet; providing online forums or internet chatrooms; electronic bulletin board services; data transfer and information transfer services via networks provided online from a computer database or the Internet; on-line data and visual conferencing services; on-line electronic bulletin board services; on-line transmission of information; providing on-line chat rooms and electronic bulletin boards for transmission of messages among users; providing access to computer bulletin boards and chatting forums; providing online access to computer databases for real-time interaction in the form of chatting with other computer users; information, advisory and consultancy services relating to the aforesaid services.

[526]	卸棄 : Disclaimer:	N/A
[529]	限制 : Limitation:	N/A
[527]	條件 : Condition:	N/A
	其他 : Others	N/A
[220]	提交日期 : Date of Filing:	02-11-2021
[320]	聲稱具有優先權的日期 : Date of Priority Claimed:	N/A
[310]	優先權申請編號 :	N/A

Priority Application Number:

- [340] 聲稱具有優先權 (部分): N/A
Priority Claim Details:
- [330] 優先權申請的 N/A
國家、地區、地方:
Country, territory, area of
Priority Applications:

- [210] 商標申請編號: 305790204
Application No.:
- [540] 商標:
Mark:



- [550] 商標種類: Ordinary
Mark Type:
一系列商標: NO
Series Mark:
- [571] 商標描述: N/A
Mark Description:
- [730] 註冊申請人的姓名 / 名稱、地址: MARS PROPERTY LIMITED
Applicant(s) ' B08A, 21/F., BONSUN INDUSTRIAL BUILDING,
Name,Address: 364 SHA TSUI ROAD, TSUEN WAN, N.T.
HONG KONG
- [740/ 註冊申請人的送達地址: ACCOLADE IP LIMITED
750] Applicant's Address for 10/F, Fu Fai Comm. Ctr.,
Service: 27 Hillier Street, Sheung Wan,
HONG KONG
- [511] 類別編號: 9,36
Class(es) No(s).:
- [511] 貨品 / 服務說明: Class 9:
Specification: mobile application software
Class 36:
property agency
- [526] 卸棄: N/A
Disclaimer:
- [529] 限制: N/A
Limitation:

[527] 條件 :	N/A
Condition:	
其他 :	N/A
Others	
[220] 提交日期 :	03-11-2021
Date of Filing:	
[320] 聲稱具有優先權的日期 :	N/A
Date of Priority Claimed:	
[310] 優先權申請編號 :	N/A
Priority Application Number:	
[340] 聲稱具有優先權 (部分) :	N/A
Priority Claim Details:	
[330] 優先權申請的 國家、地區、地方 :	N/A
Country, territory, area of Priority Applications:	
<hr/>	
[210] 商標申請編號 :	305790259
Application No.:	
[540] 商標 :	
Mark:	<h1>阿客証券</h1>
[550] 商標種類 :	一般商標
Mark Type:	
一系列商標 :	否
Series Mark:	
[571] 商標描述 :	不適用
Mark Description:	
[730] 註冊申請人的姓名 / 名稱、地址 :	諾亞國際 (香港) 有限公司 (NOAH INTERNATIONAL (HONG KONG) LIMITED)
Applicant(s)' Name,Address:	香港 銅鑼灣勿地臣街 1 號 時代廣場 2 座 34 樓
[740/ 註冊申請人的送達地址 :	景福智慧顧問有限公司
750] Applicant's Address for Service:	香港 銅鑼灣軒尼詩道 489 號 銅鑼灣廣場第一期 22 樓 2202 室
[511] 類別編號 :	9, 35, 36, 38, 41, 42
Class(es) No(s) .:	
[511] 貨品 / 服務說明 :	類別 9:
Specification:	已錄製的計算機程序 (程序); 已錄製的計算機操作程序; 計算機軟體 (已錄製); 電子出版物 (可下載); 計算機程序 (可下載軟體); 計算機遊戲軟體; 可下載的手機鈴音; 可下載的音樂文件; 可下載的影像文件; 可下載的計算機應用軟體; 可下載的手機應用軟體; 個人數字助理 (PDA); 計數器; 驗

鈔機；人臉識別設備；手機；放映設備；光學器械和儀器；視頻顯示幕；遙控裝置；用於支付服務的電子和磁性身份識別卡；可下載的電子錢包。

類別 35：

廣告宣傳；商業管理和組織諮詢；市場分析；市場營銷研究；商業專業諮詢；經濟預測；商業資訊；為消費者提供商業資訊和建議（消費者建議機構）；商業仲介服務；通過網站提供商業資訊；商業企業遷移；在計算機數據庫中更新和維護數據；商業審計；為商品和服務的買賣雙方提供在線市場；替他人採購（替其他企業購買商品或服務）；替他人推銷；通過互聯網進行的在線拍賣服務；計算機數據庫信息系統化；將信息編入計算機數據庫；為推銷優化搜索引擎；網站流量優化；為商業或廣告目的編製網頁索引；會計；尋找贊助。

類別 36：

基金投資；權益性資本投資；藝術品估價；不動產估價；股票經紀服務；不動產管理；經紀；擔保；為預警和預防災難募集慈善基金；募集慈善基金服務；募集慈善基金；信託；典當；保險經紀；證券交易行情；期貨交易服務；汽車融資租賃；資本投資；債務諮詢服務；銀行；金融貸款；融資服務；金融管理；金融贊助；金融評估（保險、銀行、不動產）；抵押貸款；受託管理；電子錢包支付服務。

類別 38：

通過互聯網播放節目；電視播放；信息傳送；計算機終端通訊；計算機輔助信息和圖像傳送；電子郵件傳輸；電子公告牌服務（通訊服務）；提供與全球計算機網絡的電訊聯接服務；電話會議服務；提供全球計算機網絡用戶接入服務；全球計算機網絡訪問時間出租；提供互聯網聊天室；提供數據庫接入服務；在線賀卡傳送；數字文件傳送；視頻會議服務；提供在線論壇；數據流傳輸；視頻點播傳輸；聲音、圖像、信號和數據的網絡傳送；提供即時信息傳送服務；通過電信網絡進行數據庫中存儲數據的電子交換；通過視頻通訊系統傳送信息。

類別 41：

教育；培訓；提供線上教育資訊；廣告、推銷、市場營銷和商業戰略規劃的培訓課程；組織教育或娛樂競賽；提供在線電子出版物（非下載）；廣播和電視節目制作；視頻制作；提供不可下載線上視頻；提供不可下載線上音樂；娛樂資訊；通過網站提供娛樂信息；通過聲音和圖像製作聲音和圖像記錄；通過全球電腦網絡出版網站編輯內容；安排和組織會議；安排和組織專題研討會；在計算機網絡上提供在線遊戲；組織表演（演出）；流動圖書館；除廣告片外的影片制作；通過視頻點播服務提供不可下載的電影；通過視頻點播服務提供不可下載的電視節目；為藝術家提供模特服務；組織電子競技遊戲比賽；在計算機網絡上提供在線虛擬現實遊戲；俱樂部服務（娛樂或教育）；電視文娛節目；微縮攝影；提供在線錄像（非下載）。

類別 42：

計算機軟件設計；計算機軟件更新；計算機硬件設計和開發諮詢；計算機軟件出租；計算機軟件維護；把有形的數據或文件轉換成電子媒體；替他人創建和維護網站；托管計算機站（網站）；計算機軟件安裝；計算機程序和數據的數據轉換（非有

形轉換); 計算機軟件諮詢; 網絡服務器出租; 計算機病毒的防護服務; 提供互聯網搜索引擎; 軟件即服務 (SaaS); 信息技術諮詢服務; 服務器托管; 遠程數據備份; 電子數據存儲; 通過網站提供計算機技術和編程信息; 雲計算; 計算機技術諮詢; 計算機安全諮詢; 為他人創建和設計網絡信息索引 (信息技術服務); 互聯網安全諮詢; 數據安全諮詢; 數據加密服務; 平臺即服務 (PaaS); 計算機遊戲軟件的設計和開發; 手機應用軟件的設計和開發。

- [526] 卸棄: 不適用
Disclaimer:
- [529] 限制: 不適用
Limitation:
- [527] 條件: 不適用
Condition:
其他: 不適用
Others
- [220] 提交日期: 03-11-2021
Date of Filing:
- [320] 聲稱具有優先權的日期: 不適用
Date of Priority Claimed:
- [310] 優先權申請編號: 不適用
Priority Application Number:
- [340] 聲稱具有優先權 (部分): 不適用
Priority Claim Details:
- [330] 優先權申請的
國家、地區、地方: 不適用
Country, territory, area of
Priority Applications:

-
-
- [210] 商標申請編號: 305790268
Application No.:
- [540] 商標: 橄欖證券
Mark:

- [550] 商標種類: 一般商標
Mark Type:
一系列商標: 否
Series Mark:
- [571] 商標描述: 不適用
Mark Description:
- [730] 註冊申請人的姓名 / 名稱、地址: 諾亞國際 (香港) 有限公司 (NOAH INTERNATIONAL (HONG KONG) LIMITED)
Applicant(s) ' Name, Address: 香港

銅鑼灣勿地臣街 1 號
時代廣場 2 座 34 樓

[740/ 註冊申請人的送達地址 :
750] Applicant's Address for
Service:

景福智慧顧問有限公司
香港
銅鑼灣軒尼詩道 489 號
銅鑼灣廣場第一期 22 樓 2202 室

[511] 類別編號 :
Class(es) No(s) .:

9, 35, 36, 38, 41, 42

[511] 貨品 / 服務說明 :
Specification:

類別 9:

已錄製的計算機程序 (程序); 已錄製的計算機操作程序; 計算機軟體 (已錄製); 電子出版物 (可下載); 計算機程序 (可下載軟體); 計算機遊戲軟體; 可下載的手機鈴音; 可下載的音樂文件; 可下載的影像文件; 可下載的計算機應用軟體; 可下載的手機應用軟體; 個人數字助理 (PDA); 計數器; 驗鈔機; 人臉識別設備; 手機; 放映設備; 光學器械和儀器; 視頻顯示幕; 遙控裝置; 用於支付服務的電子和磁性身份識別卡; 可下載的電子錢包。

類別 35:

廣告宣傳; 商業管理和組織諮詢; 市場分析; 市場營銷研究; 商業專業諮詢; 經濟預測; 商業資訊; 為消費者提供商業資訊和建議 (消費者建議機構); 商業仲介服務; 通過網站提供商業資訊; 商業企業遷移; 在計算機數據庫中更新和維護數據; 商業審計; 為商品和服務的買賣雙方提供在線市場; 替他人採購 (替其他企業購買商品或服務); 替他人推銷; 通過互聯網進行的在線拍賣服務; 計算機數據庫信息系統化; 將信息編入計算機數據庫; 為推銷優化搜索引擎; 網站流量優化; 為商業或廣告目的編製網頁索引; 會計; 尋找贊助。

類別 36:

基金投資; 權益性資本投資; 藝術品估價; 不動產估價; 股票經紀服務; 不動產管理; 經紀; 擔保; 為預警和預防災難募集慈善基金; 募集慈善基金服務; 募集慈善基金; 信託; 典當; 保險經紀; 證券交易行情; 期貨交易服務; 汽車融資租賃; 資本投資; 債務諮詢服務; 銀行; 金融貸款; 融資服務; 金融管理; 金融贊助; 金融評估 (保險、銀行、不動產); 抵押貸款; 受託管理; 電子錢包支付服務。

類別 38:

通過互聯網播放節目; 電視播放; 信息傳送; 計算機終端通訊; 計算機輔助信息和圖像傳送; 電子郵件傳輸; 電子公告牌服務 (通訊服務); 提供與全球計算機網絡的電訊聯接服務; 電話會議服務; 提供全球計算機網絡用戶接入服務; 全球計算機網絡訪問時間出租; 提供互聯網聊天室; 提供數據庫接入服務; 在線賀卡傳送; 數字文件傳送; 視頻會議服務; 提供在線論壇; 數據流傳輸; 視頻點播傳輸; 聲音、圖像、信號和數據的網絡傳送; 提供即時信息傳送服務; 通過電信網絡進行數據庫中存儲數據的電子交換; 通過視頻通訊系統傳送信息。

類別 41:

教育; 培訓; 提供線上教育資訊; 廣告、推銷、市場營銷和商業戰略規劃的培訓課程; 組織教育或娛樂競賽; 提供在線電子

出版物(非下載); 廣播和電視節目制作; 視頻制作; 提供不可下載線上視頻; 提供不可下載線上音樂; 娛樂資訊; 通過網站提供娛樂信息; 通過聲音和圖像製作聲音和圖像記錄; 通過全球電腦網絡出版網站編輯內容; 安排和組織會議; 安排和組織專題研討會; 在計算機網絡上提供在線遊戲; 組織表演(演出); 流動圖書館; 除廣告片外的影片制作; 通過視頻點播服務提供不可下載的電影; 通過視頻點播服務提供不可下載的電視節目; 為藝術家提供模特服務; 組織電子競技遊戲比賽; 在計算機網絡上提供在線虛擬現實遊戲; 俱樂部服務(娛樂或教育); 電視文娛節目; 微縮攝影; 提供在線錄像(非下載)。

類別 42:

計算機軟件設計; 計算機軟件更新; 計算機硬件設計和開發諮詢; 計算機軟件出租; 計算機軟件維護; 把有形的數據或文件轉換成電子媒體; 替他人創建和維護網站; 托管計算機站(網站); 計算機軟件安裝; 計算機程序和數據的數據轉換(非有形轉換); 計算機軟件諮詢; 網絡服務器出租; 計算機病毒的防護服務; 提供互聯網搜索引擎; 軟件即服務(SaaS); 信息技術諮詢服務; 服務器托管; 遠程數據備份; 電子數據存儲; 通過網站提供計算機技術和編程信息; 雲計算; 計算機技術諮詢; 計算機安全諮詢; 為他人創建和設計網絡信息索引(信息技術服務); 互聯網安全諮詢; 數據安全諮詢; 數據加密服務; 平臺即服務(PaaS); 計算機遊戲軟件的設計和開發; 手機應用軟件的設計和開發。

- [526] 卸棄: 不適用
Disclaimer:
- [529] 限制: 不適用
Limitation:
- [527] 條件: 不適用
Condition:
其他: 不適用
Others
- [220] 提交日期: 03-11-2021
Date of Filing:
- [320] 聲稱具有優先權的日期: 不適用
Date of Priority Claimed:
- [310] 優先權申請編號: 不適用
Priority Application Number:
- [340] 聲稱具有優先權(部分): 不適用
Priority Claim Details:
- [330] 優先權申請的 不適用
國家、地區、地方:
Country, territory, area of
Priority Applications:

- [210] 商標申請編號: 305790277
Application No.:

[540] 商標：
Mark:

方舟証券

- [550] 商標種類：一般商標
Mark Type:
一系列商標：否
Series Mark:
- [571] 商標描述：不適用
Mark Description:
- [730] 註冊申請人的姓名 / 名稱、地址：
Applicant(s) ' 諾亞國際 (香港) 有限公司 (NOAH INTERNATIONAL (HONG KONG) LIMITED)
Name, Address: 香港
銅鑼灣勿地臣街 1 號
時代廣場 2 座 34 樓
- [740/ 註冊申請人的送達地址：
750] Applicant's Address for 景福智慧顧問有限公司
Service: 香港
銅鑼灣軒尼詩道 489 號
銅鑼灣廣場第一期 22 樓 2202 室
- [511] 類別編號：9, 35, 36, 38, 41, 42
Class(es) No(s) .:
- [511] 貨品 / 服務說明：
Specification: 類別 9:
已錄製的計算機程序 (程序); 已錄製的計算機操作程序; 計算機軟體 (已錄製); 電子出版物 (可下載); 計算機程序 (可下載軟體); 計算機遊戲軟體; 可下載的手機鈴音; 可下載的音樂文件; 可下載的影像文件; 可下載的計算機應用軟體; 可下載的手機應用軟體; 個人數字助理 (PDA); 計數器; 驗鈔機; 人臉識別設備; 手機; 放映設備; 光學器械和儀器; 視頻顯示幕; 遙控裝置; 用於支付服務的電子和磁性身份識別卡; 可下載的電子錢包。
類別 35:
廣告宣傳; 商業管理和組織諮詢; 市場分析; 市場營銷研究; 商業專業諮詢; 經濟預測; 商業資訊; 為消費者提供商業資訊和建議 (消費者建議機構); 商業仲介服務; 通過網站提供商業資訊; 商業企業遷移; 在計算機數據庫中更新和維護數據; 商業審計; 為商品和服務的買賣雙方提供在線市場; 替他人採購 (替其他企業購買商品或服務); 替他人推銷; 通過互聯網進行的在線拍賣服務; 計算機數據庫信息系統化; 將信息編入計算機數據庫; 為推銷優化搜索引擎; 網站流量優化; 為商業或廣告目的編製網頁索引; 會計; 尋找贊助。
類別 36:
基金投資; 權益性資本投資; 藝術品估價; 不動產估價; 股票經紀服務; 不動產管理; 經紀; 擔保; 為預警和預防災難募集慈善基金; 募集慈善基金服務; 募集慈善基金; 信託; 典當; 保險經紀; 證券交易行情; 期貨交易服務; 汽車融資租賃; 資本投資; 債務諮詢服務; 銀行; 金融貸款; 融資服務; 金融管理; 金融贊助; 金融評估 (保險、銀行、不動產); 抵押貸款; 受託管理; 電子錢包支付服務。

類別 38:

通過互聯網播放節目; 電視播放; 信息傳送; 計算機終端通訊; 計算機輔助信息和圖像傳送; 電子郵件傳輸; 電子公告牌服務 (通訊服務); 提供與全球計算機網絡的電訊連接服務; 電話會議服務; 提供全球計算機網絡用戶接入服務; 全球計算機網絡訪問時間出租; 提供互聯網聊天室; 提供數據庫接入服務; 在線賀卡傳送; 數字文件傳送; 視頻會議服務; 提供在線論壇; 數據流傳輸; 視頻點播傳輸; 聲音、圖像、信號和數據的網絡傳送; 提供即時信息傳送服務; 通過電信網絡進行數據庫中存儲數據的電子交換; 通過視頻通訊系統傳送信息。

類別 41:


教育; 培訓; 提供線上教育資訊; 廣告、推銷、市場營銷和商業戰略規劃的培訓課程; 組織教育或娛樂競賽; 提供在線電子出版物 (非下載); 廣播和電視節目制作; 視頻制作; 提供不可下載線上視頻; 提供不可下載線上音樂; 娛樂資訊; 通過網站提供娛樂信息; 通過聲音和圖像製作聲音和圖像記錄; 通過全球電腦網絡出版網站編輯內容; 安排和組織會議; 安排和組織專題研討會; 在計算機網絡上提供在線遊戲; 組織表演 (演出); 流動圖書館; 除廣告片外的影片制作; 通過視頻點播服務提供不可下載的電影; 通過視頻點播服務提供不可下載的電視節目; 為藝術家提供模特服務; 組織電子競技遊戲比賽; 在計算機網絡上提供在線虛擬現實遊戲; 俱樂部服務 (娛樂或教育); 電視文娛節目; 微縮攝影; 提供在線錄像 (非下載)。

類別 42:

計算機軟件設計; 計算機軟件更新; 計算機硬件設計和開發諮詢; 計算機軟件出租; 計算機軟件維護; 把有形的數據或文件轉換成電子媒體; 替他人創建和維護網站; 托管計算機站 (網站); 計算機軟件安裝; 計算機程序和數據的數據轉換 (非有形轉換); 計算機軟件諮詢; 網絡服務器出租; 計算機病毒的防護服務; 提供互聯網搜索引擎; 軟件即服務 (SaaS); 信息技術諮詢服務; 服務器托管; 遠程數據備份; 電子數據存儲; 通過網站提供計算機技術和編程信息; 雲計算; 計算機技術諮詢; 計算機安全諮詢; 為他人創建和設計網絡信息索引 (信息技術服務); 互聯網安全諮詢; 數據安全諮詢; 數據加密服務; 平臺即服務 (PaaS); 計算機遊戲軟件的設計和開發; 手機應用軟件的設計和開發。

- [526] 卸棄: 不適用
Disclaimer:
- [529] 限制: 不適用
Limitation:
- [527] 條件: 不適用
Condition:
其他: 獲同意註冊, 編號 303689795, 303689803。
Others
- [220] 提交日期: 03-11-2021
Date of Filing:
- [320] 聲稱具有優先權的日期: 不適用
Date of Priority Claimed:
- [310] 優先權申請編號: 不適用

	Priority Application Number:	
[340]	聲稱具有優先權 (部分): Priority Claim Details:	不適用
[330]	優先權申請的 國家、地區、地方: Country, territory, area of Priority Applications:	不適用
[210]	商標申請編號: Application No.:	305790862
[540]	商標: Mark:	
[550]	商標種類: Mark Type: 一系類商標: Series Mark:	一般商標 否
[571]	商標描述: Mark Description:	不適用
[730]	註冊申請人的姓名 / 名稱、地址: Applicant(s)' Name, Address:	廣東國鴻氫能科技有限公司 (GuangDong Nation-Synergy Hydrogen Power Technology Co., LTD.) 中國 廣東省雲浮市雲城區思勞鎮 佛山(雲浮)產業轉移工業園南園區 9 號
[740/ 750]	註冊申請人的送達地址: Applicant's Address for Service:	香港凱旋知識產權代理有限公司 香港 九龍旺角煙廠街 9 號 興發商業大廈 7 樓 703 室
[511]	類別編號: Class(es) No(s) .:	1, 7, 9, 11, 12, 35, 37
[511]	貨品 / 服務說明: Specification:	類別 9: 可下載的手機應用軟件; 測量器械和儀器; 穩壓電源; 非空氣 、非水處理用電離設備; 電解裝置; 運載工具用蓄電池; 運載 工具用電池; 陰極; 蓄電池; 太陽能電池; 高壓電池; 電瓶; 電池箱; 電池充電器; 蓄電瓶; 蓄電池箱; 電站自動化裝置; 電動運載工具用充電站; 電源材料 (電線、電纜); 電源電纜 ; 電源適配器; 電源插頭轉換器; 低壓電源; 電源控制器; 電 源開關; 電源連接器; 燃料電池; 移動電源 (可充電電池); 電源插座。
[526]	卸棄: Disclaimer:	不適用
[529]	限制: Limitation:	不適用

[527]	條件 :	不適用
	Condition:	
	其他 :	不適用
	Others	
[220]	提交日期 :	03-11-2021
	Date of Filing:	
[320]	聲稱具有優先權的日期 :	不適用
	Date of Priority Claimed:	
[310]	優先權申請編號 :	不適用
	Priority Application Number:	
[340]	聲稱具有優先權 (部分) :	不適用
	Priority Claim Details:	
[330]	優先權申請的 國家、地區、地方 :	不適用
	Country, territory, area of Priority Applications:	
<hr/>		
[210]	商標申請編號 :	305790880
	Application No.:	
[540]	商標 :	
	Mark:	
[550]	商標種類 :	Ordinary
	Mark Type:	
	一系列商標 :	NO
	Series Mark:	
[571]	商標描述 :	N/A
	Mark Description:	
[730]	註冊申請人的姓名 / 名稱、地址 :	BAUHINIA CONCEPTS LIMITED FLAT/RM C, 8/F, KING PALACE PLAZA, 55 KING YIP STREET, KWUN TONG, KL, HONG KONG
	Applicant(s)' Name,Address:	
[740/	註冊申請人的送達地址 :	ACCOLADE IP LIMITED 10/F, Fu Fai Comm. Ctr., 27 Hillier Street, Sheung Wan, HONG KONG
750]	Applicant's Address for Service:	
[511]	類別編號 :	9,35,42
	Class(es) No(s) .:	
[511]	貨品 / 服務說明 :	Class 9: computer software platforms, recorded or downloadable Class 35: employment agency services Class 42: software as a service [SaaS]
	Specification:	

[526] 卸棄: N/A
Disclaimer:

[529] 限制: N/A
Limitation:

[527] 條件: N/A
Condition:
其他: N/A
Others

[220] 提交日期: 03-11-2021
Date of Filing:

[320] 聲稱具有優先權的日期: N/A
Date of Priority Claimed:

[310] 優先權申請編號: N/A
Priority Application Number:

[340] 聲稱具有優先權 (部分): N/A
Priority Claim Details:

[330] 優先權申請的
國家、地區、地方: N/A
Country, territory, area of
Priority Applications:

[210] 商標申請編號: 305791131
Application No.:

[540] 商標: A
Mark:



B



[550] 商標種類: 一般商標
Mark Type:

	一系列商標 :	是
	Series Mark:	
[571]	商標描述 :	不適用
	Mark Description:	
[730]	註冊申請人的姓名 / 名稱、地址 :	廣東國鴻氫能科技有限公司 (GuangDong Nation-Synergy Hydrogen Power Technology Co., LTD.)
	Applicant(s) ' Name,Address:	中國 廣東省雲浮市雲城區思勞鎮 佛山(雲浮)產業轉移工業園南園區 9 號
[740/	註冊申請人的送達地址 :	香港凱旋知識產權代理有限公司
750]	Applicant's Address for Service:	香港 九龍旺角煙廠街 9 號 興發商業大廈 7 樓 703 室
[511]	類別編號 :	1, 7, 9, 11, 12, 35, 37
	Class(es) No(s) .:	
[511]	貨品 / 服務說明 :	類別 9:
	Specification:	可下載的手機應用軟件; 測量器械和儀器; 穩壓電源; 非空氣、非水處理用電離設備; 電解裝置; 運載工具用蓄電池; 運載工具用電池; 陰極; 蓄電池; 太陽能電池; 高壓電池; 電瓶; 電池箱; 電池充電器; 蓄電瓶; 蓄電池箱; 車站自動化裝置; 電動運載工具用充電站; 電源材料(電線、電纜); 電源電纜; 電源適配器; 電源插頭轉換器; 低壓電源; 電源控制器; 電源開關; 電源連接器; 燃料電池; 移動電源(可充電電池); 電源插座。
[526]	卸棄 :	不適用
	Disclaimer:	
[529]	限制 :	不適用
	Limitation:	
[527]	條件 :	不適用
	Condition:	
	其他 :	不適用
	Others	
[220]	提交日期 :	03-11-2021
	Date of Filing:	
[320]	聲稱具有優先權的日期 :	不適用
	Date of Priority Claimed:	
[310]	優先權申請編號 :	不適用
	Priority Application Number:	
[340]	聲稱具有優先權 (部分) :	不適用
	Priority Claim Details:	
[330]	優先權申請的	不適用
	國家、地區、地方 :	
	Country, territory, area of Priority Applications:	
[210]	商標申請編號 :	305791140
	Application No.:	

[540] 商標 :
Mark:

A



B



[550] 商標種類 : 一般商標
 Mark Type:
 一系列商標 : 是
 Series Mark:
 [571] 商標描述 : 不適用
 Mark Description:
 [730] 註冊申請人的姓名 / 名稱、地址 : 廣東國鴻氫能科技有限公司 (GuangDong Nation-Synergy
 Applicant(s) ' Hydrogen Power Technology Co., LTD.)
 Name,Address: 中國
 廣東省雲浮市雲城區思勞鎮
 佛山(雲浮)產業轉移工業園南園區 9 號
 [740/ 註冊申請人的送達地址 : 香港凱旋知識產權代理有限公司
 750] Applicant's Address for 香港
 Service: 九龍旺角煙廠街 9 號
 興發商業大廈 7 樓 703 室
 [511] 類別編號 : 1, 7, 9, 11, 12, 35, 37
 Class(es) No(s) . :
 [511] 貨品 / 服務說明 : 類別 9:
 Specification: 可下載的手機應用軟件; 測量器械和儀器; 穩壓電源; 非空氣
 、非水處理用電離設備; 電解裝置; 運載工具用蓄電池; 運載
 工具用電池; 陰極; 蓄電池; 太陽能電池; 高壓電池; 電瓶;
 電池箱; 電池充電器; 蓄電瓶; 蓄電池箱; 電站自動化裝置;
 電動運載工具用充電站; 電源材料 (電線、電纜); 電源電纜
 ; 電源適配器; 電源插頭轉換器; 低壓電源; 電源控制器; 電
 源開關; 電源連接器; 燃料電池; 移動電源 (可充電電池);
 電源插座。
 [526] 卸棄 : 不適用
 Disclaimer:

- [529] 限制 : 不適用
Limitation:
- [527] 條件 : 不適用
Condition:
其他 : 不適用
Others
- [220] 提交日期 : 03-11-2021
Date of Filing:
- [320] 聲稱具有優先權的日期 : 不適用
Date of Priority Claimed:
- [310] 優先權申請編號 : 不適用
Priority Application Number:
- [340] 聲稱具有優先權 (部分) : 不適用
Priority Claim Details:
- [330] 優先權申請的
國家、地區、地方 : 不適用
Country, territory, area of
Priority Applications:

-
- [210] 商標申請編號 : 305791168
Application No.:
- [540] 商標 : A
Mark:



B



- [550] 商標種類 : 一般商標
Mark Type:
一系列商標 : 是
Series Mark:

- [571] 商標描述 : 不適用
Mark Description:
- [730] 註冊申請人的姓名 / 名稱、地址 : 廣東國鴻氫能科技有限公司 (GuangDong Nation-Synergy
Applicant(s) ' Hydrogen Power Technology Co., LTD.)
Name,Address: 中國
廣東省雲浮市雲城區思勞鎮
佛山(雲浮)產業轉移工業園南園區 9 號
- [740/ 註冊申請人的送達地址 : 香港凱旋知識產權代理有限公司
750] Applicant's Address for 香港
Service: 九龍旺角煙廠街 9 號
興發商業大廈 7 樓 703 室
- [511] 類別編號 : 1, 7, 9, 11, 12, 35, 37
Class(es) No(s) .:
- [511] 貨品 / 服務說明 : 類別 9:
Specification: 可下載的手機應用軟件; 測量器械和儀器; 穩壓電源; 非空氣
、非水處理用電離設備; 電解裝置; 運載工具用蓄電池; 運載
工具用電池; 陰極; 蓄電池; 太陽能電池; 高壓電池; 電瓶;
電池箱; 電池充電器; 蓄電瓶; 蓄電池箱; 電站自動化裝置;
電動運載工具用充電站; 電源材料 (電線、電纜); 電源電纜
; 電源適配器; 電源插頭轉換器; 低壓電源; 電源控制器; 電
源開關; 電源連接器; 燃料電池; 移動電源 (可充電電池);
電源插座。
- [526] 卸棄 : 不適用
Disclaimer:
- [529] 限制 : 不適用
Limitation:
- [527] 條件 : 不適用
Condition:
其他 : 不適用
Others
- [220] 提交日期 : 03-11-2021
Date of Filing:
- [320] 聲稱具有優先權的日期 : 不適用
Date of Priority Claimed:
- [310] 優先權申請編號 : 不適用
Priority Application Number:
- [340] 聲稱具有優先權 (部分) : 不適用
Priority Claim Details:
- [330] 優先權申請的 不適用
國家、地區、地方 :
Country, territory, area of
Priority Applications:
-
-

- [210] 商標申請編號 : 305791177
Application No.:

[540] 商標：
Mark:

A



B



- [550] 商標種類：一般商標
Mark Type:
一系列商標：是
Series Mark:
- [571] 商標描述：不適用
Mark Description:
- [730] 註冊申請人的姓名 / 名稱、地址：廣東國鴻氫能科技有限公司 (GuangDong Nation-Synergy Hydrogen Power Technology Co., LTD.)
Applicant(s) ' Name, Address:
中國
廣東省雲浮市雲城區思勞鎮
佛山(雲浮)產業轉移工業園南園區 9 號
- [740/ 註冊申請人的送達地址：香港凱旋知識產權代理有限公司
750] Applicant's Address for Service:
香港
九龍旺角煙廠街 9 號
興發商業大廈 7 樓 703 室
- [511] 類別編號：1, 7, 9, 11, 12, 35, 37
Class(es) No(s) .:
- [511] 貨品 / 服務說明：類別 9:
Specification:
可下載的手機應用軟件；測量器械和儀器；穩壓電源；非空氣、非水處理用電離設備；電解裝置；運載工具用蓄電池；運載工具用電池；陰極；蓄電池；太陽能電池；高壓電池；電瓶；電池箱；電池充電器；蓄電瓶；蓄電池箱；電站自動化裝置；電動運載工具用充電站；電源材料（電線、電纜）；電源電纜；電源適配器；電源插頭轉換器；低壓電源；電源控制器；電源開關；電源連接器；燃料電池；移動電源（可充電電池）；電源插座。
- [526] 卸棄：不適用
Disclaimer:
- [529] 限制：不適用
Limitation:

[527] 條件 : 不適用

Condition:

其他 : 不適用

Others

[220] 提交日期 : 03-11-2021

Date of Filing:

[320] 聲稱具有優先權的日期 : 不適用

Date of Priority Claimed:

[310] 優先權申請編號 : 不適用

Priority Application Number:

[340] 聲稱具有優先權 (部分) : 不適用

Priority Claim Details:

[330] 優先權申請的 不適用

國家、地區、地方 :

Country, territory, area of
Priority Applications:

[210] 商標申請編號 : 305791429

Application No.:

[540] 商標 :

Mark:

[550] 商標種類 : Ordinary

Mark Type:

一系列商標 : NO

Series Mark:

[571] 商標描述 : N/A

Mark Description:

[730] 註冊申請人的姓名 / 名稱、地址 : CurrencyFair Limited

Applicant(s) '
Name,Address: Colm House,
91 Pembroke Road,
Ballsbridge,
Dublin 4,
IRELAND

[740/ 註冊申請人的送達地址 : NTD PATENT & TRADE MARK AGENCY LIMITED

750] Applicant's Address for Units 1805-6, 18/F., Greenfield Tower,
Service: Concordia Plaza,
No. 1 Science Museum Road, Tsimshatsui East,
Kowloon,
HONG KONG

[511] 類別編號 : 9, 35, 36, 42

Class(es) No(s) .:

[511] 貨品 / 服務說明：
Specification:

Class 9:

Biometric identity cards; biometric passports; e-passports; computer software applications, downloadable; computer software platforms, recorded or downloadable; computer software, recorded; online payment software; E-commerce and e-payment software; downloadable cryptographic keys for receiving and spending cryptocurrency; downloadable e-wallets; security tokens [encryption devices]; computer hardware; computer hardware for facilitating payment transactions by electronic means.

Class 35:

Administration of consumer loyalty programs; advisory services for business management; business appraisals; business auditing; business efficiency expert services; business inquiries; business intermediary services relating to the matching of potential private investors with entrepreneurs needing funding; professional business consultancy; providing business information; providing business information via a website; providing commercial and business contact information; compilation of information into computer databases; compiling indexes of information for commercial or advertising purposes; computerized file management; consultancy regarding advertising communication strategies; consultancy regarding public relations communication strategies; consumer profiling for commercial or marketing purposes; corporate communications services; data search in computer files for others; drawing up statements of accounts; organization of exhibitions for commercial or advertising purposes; financial auditing; interim business management; invoicing; market intelligence services; marketing; marketing in the framework of software publishing; marketing research; media relations services; modelling for advertising or sales promotion; negotiation and conclusion of commercial transactions for third parties; negotiation of business contracts for others; online advertising on a computer network; provision of an online marketplace for buyers and sellers of goods and services; outsourcing services [business assistance]; pay per click advertising; payroll preparation; personnel management consultancy; presentation of goods on communication media, for retail purposes; price comparison services; procurement services for others [purchasing goods and services for other businesses]; promotion of goods and services through sports events;

registration of written communications and data; sales promotion for others; search engine optimisation for sales promotion; systemisation of information into computer databases; targeted marketing; television advertising; organisation of trade fairs; transcription of communications [office functions]; updating and maintenance of data in computer databases; updating and maintenance of information in registries; updating of advertising material; providing user ratings for commercial or advertising purposes; providing user reviews for commercial or advertising purposes; web indexing for commercial or advertising purposes; website traffic optimisation.

Class 36:

Electronic banking; electronic money transfer services; electronic payment services; financial services; foreign exchange market; money exchange and transfer; foreign currency services.

Class 42:

Software as a service [SaaS]; computer software programming services; computer software development; computer software engineering; development of software; computer software technical support services; support and maintenance services for computer software; installation, repair and maintenance of computer software.

[526]	卸棄 : Disclaimer:	N/A
[529]	限制 : Limitation:	N/A
[527]	條件 : Condition:	N/A
	其他 : Others	N/A
[220]	提交日期 : Date of Filing:	04-11-2021
[320]	聲稱具有優先權的日期 : Date of Priority Claimed:	28-10-2021
[310]	優先權申請編號 : Priority Application Number:	2021/02288
[340]	聲稱具有優先權 (部分) : Priority Claim Details:	N/A
[330]	優先權申請的 國家、地區、地方 : Country, territory, area of Priority Applications:	IRELAND

[210] 商標申請編號 : 305792743
Application No.:

[540] 商標 : A
Mark:

Arta TechFin Corporation Limited

B

ARTA TechFin Corporation Limited

C

ARTA TECHFIN CORPORATION LIMITED

[550] 商標種類 : Ordinary

Mark Type:

一系列商標 :

YES

Series Mark:

[571] 商標描述 : N/A

Mark Description:

[730] 註冊申請人的姓名 / 名稱、地址 :

Applicant(s) ' Name,Address:

ARTA TECHFIN CORPORATION LIMITED

13/F FORTIS TOWER

77-79 GLOUCESTER ROAD WANCHAI

HONG KONG

[740/ 註冊申請人的送達地址 :

百信企業服務有限公司

750] Applicant's Address for Service:

香港

金鐘金鐘道 89 號

力寶中心第一座 10 樓 1003 室

9, 35, 36, 41, 42

[511] 類別編號 :
Class(es) No(s) .:

Class 9:

[511] 貨品 / 服務說明 :

Specification:

Computer programs for use in providing and managing automated securities brokerage, trading and trading strategies; application software; applications software for use in the financial services field; audio and video recordings, downloadable publications and software supplied on-line from a computer databases or the Internet; authentication software; business software; calculating software; communication software; computer application software for use in management of a database; computer software for facilitating on-line commercial transactions; computer software for financial risk management; financial computer software; interface software; audio and video recordings; sound and video recording media.

Class 35:

Advice relating to acquisition of businesses and corporate structure of companies; corporate advertisement and promotion; corporate business management services; corporate communications services; corporate consultation relating to business administration; corporate management advisory services; corporate management consultancy services; accountancy advisory services; advisory services for business management; advisory services relating to business organization; business advisory services; providing business information via a website.

Class 36:

Accident insurance brokerage; administration, financial management and brokerage services relating to insurance; automated securities brokerage; bond brokerage; bonds brokerage services; brokerage; brokerage agencies for insurance and credit; brokerage for buying and selling of securities; brokerage for securities trading; brokerage for securities trading in foreign securities markets; brokerage for trading of financial instruments; brokerage for trading of securities, securities index futures, securities options and overseas market securities futures; brokerage for trading of stocks, bonds and commodity futures; brokerage of bonds, securities, commodities and futures; brokerage of currency; brokerage of government bond certificates; brokerage of life insurance contracts; brokerage of precious metals; brokerage of securities through an Internet web site; brokerage of shares; brokerage services for government bonds and other financial instruments; brokerage services relating to equities; brokerage services relating to foreign exchange; computerised securities brokerage services; computerized stock brokerage services; financial brokerage provided via computer network; online brokerage of bonds; advice in the field of buying and selling stock, investments, asset management and financial income management; financial asset management; financial asset management services; financial consultancy relating to off-balance transactions, investment risks and asset management; investment asset management; corporate consultancy services relating to financial planning; corporate consultation relating to finance; corporate fund management; international corporate finance; advisory services relating to portfolio management;

financial management of personal estate and personal wealth; providing financial information via a website.

Class 41:

Production of audio and video programmes; production of training video and audio recordings; production of video and sound recordings; production of video recordings for entertainment or education purposes; providing online videos, not downloadable; video editing; video recording; videotape film production; videotaping; business educational services; arrangement of seminars; arranging and conducting business seminars; conducting seminars.

Class 42:

Scientific advisory and research services; design of software; software as a service [SaaS]; software design and development; computer programming; technological development for third party; computer services relating to financial analysis systems.

[526]	卸棄 :	N/A
	Disclaimer:	
[529]	限制 :	N/A
	Limitation:	
[527]	條件 :	N/A
	Condition:	
	其他 :	N/A
	Others	
[220]	提交日期 :	04-11-2021
	Date of Filing:	
[320]	聲稱具有優先權的日期 :	N/A
	Date of Priority Claimed:	
[310]	優先權申請編號 :	N/A
	Priority Application Number:	
[340]	聲稱具有優先權 (部分) :	N/A
	Priority Claim Details:	
[330]	優先權申請的	N/A
	國家、地區、地方 :	
	Country, territory, area of	
	Priority Applications:	

[210]	商標申請編號 :	305792752
	Application No.:	

[540] 商標 : A
Mark:

Arta Global Markets Limited

B

ARTA Global Markets Limited

C

ARTA GLOBAL MARKETS LIMITED

[550] 商標種類 : Ordinary

Mark Type:

一系列商標 : YES

Series Mark:

[571] 商標描述 : N/A

Mark Description:

[730] 註冊申請人的姓名 / 名稱、地址 : ARTA TECHFIN CORPORATION LIMITED

Applicant(s) ' 13/F FORTIS TOWER

Name,Address: 77-79 GLOUCESTER ROAD WANCHAI

HONG KONG

[740/ 註冊申請人的送達地址 : 百信企業服務有限公司

750] Applicant's Address for 香港

Service: 金鐘金鐘道 89 號

力寶中心第一座 10 樓 1003 室

[511] 類別編號 : 9, 35, 36, 41, 42

Class(es) No(s) .:

[511] 貨品 / 服務說明 : Class 9:

Specification:

Computer programs for use in providing and managing automated securities brokerage, trading and trading strategies; application software; applications software for use in the financial services field; audio and video recordings, downloadable publications and software supplied on-line from a computer databases or the Internet; authentication software; business software; calculating software; communication software; computer application software for use in management of a database; computer software for facilitating on-line commercial transactions; computer software for financial risk management; financial computer software; interface software; audio and video recordings; sound and video recording media.

Class 35:

Advice relating to acquisition of businesses and corporate structure of companies;

corporate advertisement and promotion;
corporate business management services;
corporate communications services; corporate
consultation relating to business
administration; corporate management advisory
services; corporate management consultancy
services; accountancy advisory services;
advisory services for business management;
advisory services relating to business
organization; business advisory services;
providing business information via a website.

Class 36:

Accident insurance brokerage; administration,
financial management and brokerage services
relating to insurance; automated securities
brokerage; bond brokerage; bonds brokerage
services; brokerage; brokerage agencies for
insurance and credit; brokerage for buying and
selling of securities; brokerage for
securities trading; brokerage for securities
trading in foreign securities markets;
brokerage for trading of financial
instruments; brokerage for trading of
securities, securities index futures,
securities options and overseas market
securities futures; brokerage for trading of
stocks, bonds and commodity futures; brokerage
of bonds, securities, commodities and futures;
brokerage of currency; brokerage of government
bond certificates; brokerage of life insurance
contracts; brokerage of precious metals;
brokerage of securities through an Internet
web site; brokerage of shares; brokerage
services for government bonds and other
financial instruments; brokerage services
relating to equities; brokerage services
relating to foreign exchange; computerised
securities brokerage services; computerized
stock brokerage services; financial brokerage
provided via computer network; online
brokerage of bonds; advice in the field of
buying and selling stock, investments, asset
management and financial income management;
financial asset management; financial asset
management services; financial consultancy
relating to off-balance transactions,
investment risks and asset management;
investment asset management; corporate
consultancy services relating to financial
planning; corporate consultation relating to
finance; corporate fund management;
international corporate finance; advisory
services relating to portfolio management;
financial management of personal estate and
personal wealth; providing financial
information via a website.

Class 41:

Production of audio and video programmes; production of training video and audio recordings; production of video and sound recordings; production of video recordings for entertainment or education purposes; providing online videos, not downloadable; video editing; video recording; videotape film production; videotaping; business educational services; arrangement of seminars; arranging and conducting business seminars; conducting seminars.

Class 42:

Scientific advisory and research services; design of software; software as a service [SaaS]; software design and development; computer programming; technological development for third party; computer services relating to financial analysis systems.

[526]	卸棄: Disclaimer:	N/A
[529]	限制: Limitation:	N/A
[527]	條件: Condition: 其他: Others	N/A
[220]	提交日期: Date of Filing:	04-11-2021
[320]	聲稱具有優先權的日期: Date of Priority Claimed:	N/A
[310]	優先權申請編號: Priority Application Number:	N/A
[340]	聲稱具有優先權 (部分): Priority Claim Details:	N/A
[330]	優先權申請的 國家、地區、地方: Country, territory, area of Priority Applications:	N/A

[210]	商標申請編號: Application No.:	305792761
[540]	商標: Mark:	A

Arta Global Futures Limited

B

ARTA Global Futures Limited

C

ARTA GLOBAL FUTURES LIMITED

- [550] 商標種類 : Ordinary
 Mark Type:
 一系列商標 : YES
 Series Mark:
- [571] 商標描述 : N/A
 Mark Description:
- [730] 註冊申請人的姓名 / 名稱、地址 : ARTA TECHFIN CORPORATION LIMITED
 Applicant(s) ' 13/F FORTIS TOWER
 Name,Address: 77-79 GLOUCESTER ROAD WANCHAI
 HONG KONG
- [740/ 註冊申請人的送達地址 : 百信企業服務有限公司
 750] Applicant's Address for 香港
 Service: 金鐘金鐘道 89 號
 力寶中心第一座 10 樓 1003 室
- [511] 類別編號 : 9,35,36,41,42
 Class(es) No(s) .:
- [511] 貨品 / 服務說明 : Class 9:
 Specification: Computer programs for use in providing and managing automated securities brokerage, trading and trading strategies; application software; applications software for use in the financial services field; audio and video recordings, downloadable publications and software supplied on-line from a computer databases or the Internet; authentication software; business software; calculating software; communication software; computer application software for use in management of a database; computer software for facilitating on-line commercial transactions; computer software for financial risk management; financial computer software; interface software; audio and video recordings; sound and video recording media.
 Class 35:
 Advice relating to acquisition of businesses and corporate structure of companies; corporate advertisement and promotion; corporate business management services; corporate communications services; corporate consultation relating to business administration; corporate management advisory services; corporate management consultancy

services; accountancy advisory services; advisory services for business management; advisory services relating to business organization; business advisory services; providing business information via a website.

Class 36:

Accident insurance brokerage; administration, financial management and brokerage services relating to insurance; automated securities brokerage; bond brokerage; bonds brokerage services; brokerage; brokerage agencies for insurance and credit; brokerage for buying and selling of securities; brokerage for securities trading; brokerage for securities trading in foreign securities markets; brokerage for trading of financial instruments; brokerage for trading of securities, securities index futures, securities options and overseas market securities futures; brokerage for trading of stocks, bonds and commodity futures; brokerage of bonds, securities, commodities and futures; brokerage of currency; brokerage of government bond certificates; brokerage of life insurance contracts; brokerage of precious metals; brokerage of securities through an Internet web site; brokerage of shares; brokerage services for government bonds and other financial instruments; brokerage services relating to equities; brokerage services relating to foreign exchange; computerised securities brokerage services; computerized stock brokerage services; financial brokerage provided via computer network; online brokerage of bonds; advice in the field of buying and selling stock, investments, asset management and financial income management; financial asset management; financial asset management services; financial consultancy relating to off-balance transactions, investment risks and asset management; investment asset management; corporate consultancy services relating to financial planning; corporate consultation relating to finance; corporate fund management; international corporate finance; advisory services relating to portfolio management; financial management of personal estate and personal wealth; providing financial information via a website.

Class 41:

Production of audio and video programmes; production of training video and audio recordings; production of video and sound recordings; production of video recordings for entertainment or education purposes; providing

online videos, not downloadable; video editing; video recording; videotape film production; videotaping; business educational services; arrangement of seminars; arranging and conducting business seminars; conducting seminars.

Class 42:

Scientific advisory and research services; design of software; software as a service [SaaS]; software design and development; computer programming; technological development for third party; computer services relating to financial analysis systems.

- [526] 卸棄 : N/A
Disclaimer:
- [529] 限制 : N/A
Limitation:
- [527] 條件 : N/A
Condition:
其他 : N/A
Others
- [220] 提交日期 : 04-11-2021
Date of Filing:
- [320] 聲稱具有優先權的日期 : N/A
Date of Priority Claimed:
- [310] 優先權申請編號 : N/A
Priority Application Number:
- [340] 聲稱具有優先權 (部分) : N/A
Priority Claim Details:
- [330] 優先權申請的 : N/A
國家、地區、地方 :
Country, territory, area of
Priority Applications:
-
-

- [210] 商標申請編號 : 305793300
Application No.:

[540] 商標 :
Mark:



[550] 商標種類 : Ordinary
Mark Type:
一系列商標 : NO
Series Mark:

[571] 商標描述 : N/A
Mark Description:

[730] 註冊申請人的姓名 / 名稱、地址 : Apex Learning Inc.
Applicant(s) ' Suite 1500, 1215 Fourth Ave.,
Name,Address: Seattle, Washington 98161,
UNITED STATES OF AMERICA

[740/ 註冊申請人的送達地址 : K&L GATES
750] Applicant's Address for 44/F, Edinburgh Tower, The Landmark,
Service: 15 Queen's Road Central,
HONG KONG

[511] 類別編號 : 9
Class(es) No(s) .:

[511] 貨品 / 服務說明 : Class 9:
Specification: Downloadable multimedia software for use in the fields of educational instruction, training, assessment and testing that contains educational course work, materials, and assessment tools, and books containing tests, educational and instructional books, and user's manuals for use therewith, sold as a unit; computer application software for desktop computers, laptop computers, mobile phones, tablets, and handheld devices, namely, software for use in the fields of educational instruction, training, assessment and testing that contains educational course work, materials, assessment tools, and tests.

[526] 卸棄 : N/A
Disclaimer:

[529] 限制 : N/A
Limitation:

[527] 條件 : N/A
Condition:

其他 : N/A
Others
[220] 提交日期 : 05-11-2021
Date of Filing:
[320] 聲稱具有優先權的日期 : 12-05-2021
Date of Priority Claimed:
[310] 優先權申請編號 : 90/706,956
Priority Application Number:
[340] 聲稱具有優先權 (部分) : N/A
Priority Claim Details:
[330] 優先權申請的
國家、地區、地方 : UNITED STATES OF AMERICA
Country, territory, area of
Priority Applications:

[210] 商標申請編號 : 305795966
Application No.:

[540] 商標 :
Mark:

CABERG

[550] 商標種類 : Ordinary
Mark Type:
一系列商標 : NO
Series Mark:

[571] 商標描述 : N/A
Mark Description:

[730] 註冊申請人的姓名 / 名稱、地址 : CABERG S.P.A.
Applicant(s) ' Via Emilia, 11
Name,Address: I-24052 AZZANO SAN PAOLO (Bergamo)
ITALY

[740/ 註冊申請人的送達地址 : ONC LAWYERS
750] Applicant's Address for 19TH FLOOR, THREE EXCHANGE SQUARE,
Service: 8 CONNAUGHT PLACE, CENTRAL,
HONG KONG

[511] 類別編號 : 9
Class(es) No(s) .:

[511] 貨品 / 服務說明 : Class 9:
Specification: Protective helmets and helmets for
motorcyclists, motorists, cyclists and for
sports in general; protective helmets for work
and accident prevention; components for
helmets.

[526] 卸棄 : N/A
Disclaimer:

[529] 限制 : N/A
Limitation:

[527] 條件 : N/A
 Condition:
 其他 : N/A
 Others

[220] 提交日期 : 09-11-2021
 Date of Filing:

[320] 聲稱具有優先權的日期 : N/A
 Date of Priority Claimed:

[310] 優先權申請編號 : N/A
 Priority Application Number:

[340] 聲稱具有優先權 (部分) : N/A
 Priority Claim Details:

[330] 優先權申請的
 國家、地區、地方 : N/A
 Country, territory, area of
 Priority Applications:

[210] 商標申請編號 : 305796037
 Application No.:

[540] 商標 :
 Mark:



NETAKEY

[550] 商標種類 : Ordinary

Mark Type:

一系列商標 :

NO

Series Mark:

[571] 商標描述 : N/A

Mark Description:

[730] 註冊申請人的姓名 / 名稱、地址 :

Metakey Pte Ltd.

Applicant(s)'

20A

Name, Address:

Tanjong Pagar Road 088443

SINGAPORE

[740/ 註冊申請人的送達地址 :

ONC LAWYERS

750] Applicant's Address for
 Service:

19TH FLOOR, THREE EXCHANGE SQUARE,

8 CONNAUGHT PLACE, CENTRAL,

HONG KONG

[511] 類別編號 :

9, 41, 42

Class(es) No(s) .:

[511] 貨品 / 服務說明：
Specification:

Class 9:

Downloadable cryptographic keys for receiving and spending cryptocurrency; security tokens [encryption devices]; access control software; 3D graphic software; aerospace maintenance management software; authentication software; authentication and authorization software; browser software for computer networks; computer hardware and software for data encryption, storage, and retrieval; computer hardware and software for facilitating on-line commercial transactions; computer hardware and software for intrusion detection; computer hardware and software for the development, maintenance and operation of local area networks and wide area networks; computer hardware and software for use in data transformation, indexing, conversion, storage, retrieval, distribution and in record management; computer network management software; computer software and computer programs for digital certification; computer software and electronic user manuals for use in connection with fraud management in the fields of financial, debit, and credit card services; computer software and programs relating to aircraft, aircraft parts, aviation, avionics, flight simulation, navigation, aerospace products and maintenance, operation, repair, and training associated with aircraft and aerospace products; computer software applications, downloadable; computer software applied to the protection, prevention, detection, inspection, management, monitoring and supervision of machine faults, machine part deterioration and defects location; computer software development programs; computer software (downloadable); computer software featuring learning activities, games, and entertainment; computer software for application and database integration; computer software for hosting of digital content on the Internet; computer software for network and information technology security; computer software for preventing unauthorized access to computer networks; computer software for producing virtual reality; computer software for protecting and securing computer networks and applications; computer software for encrypting and authenticating data; computer software for searching and retrieving information via computer systems and computer networks; computer software for the automatic configuration of computer networks, computer programs, computer peripherals and other

electronic devices; computer software for use in protecting the privacy and security of personal computers; computer software that detects, identifies, analyzes, manages, blocks and/or removes other computer software from a computer or computer network; computer utility software and programs; digital images for developing computer game software; downloadable audio recordings, video recordings, music, sounds, images, text, publications, signals, software, information, data and code provided via telecommunications networks, by online delivery and by way of the Internet and the world wide web; firewall software; Internet browser software featuring filtering technology to filter unwanted electronic mail, web messages and on-line pop-up advertisements; operating system software; recorded computer programs (software); software for recording, transmitting and reproducing sound and/or images; apparatus, instruments and devices for the verification and validation of safety-related computer applications [hardware and software]; apparatus, instruments and software for communicating with local and global computer networks; application and communication software; application development software; application integration and connectivity software; application software for the management of electrical network inspection and monitoring systems; audio and video recordings, downloadable publications and software supplied on-line from a computer databases or the Internet; character recognition software; computer and video game software; Computer Aided Design (CAD) software; computer application software and utility programs enabling sound recorders and players to reproduce, record, edit and manage sound and data; computer application software for use in management of a database; computer communications software; computer file management software; computer game software, downloadable; computer games (software); computer hardware and software in the field of data storage; access security apparatus; biometric security devices; computer security and authentication software for controlling access to and communications with computers; security locking devices.

Class 41:

Arranging and conducting tutorials relating to the use of computer software; arranging and conducting workshops relating to the use of computer software; computer software training;

conducting training classes relating to computer software and hardware; training services relating to computers, computer software, networking, data synchronization, mobile computing and data sharing; computer publications in electronic form provided on the Internet [not downloadable]; online publication (non-downloadable); providing computer games (non-downloadable) via the Internet and mobile telephone networks; providing electronic games [not downloadable] for mobile phones via the Internet; providing electronic publication [not downloadable] online featuring information relating to science fictions, games and entertainment; providing electronic publications on-line [not downloadable]; providing interactive games (non-downloadable) by means of a global computer network; providing non-downloadable online electronic publications; providing online videos, not downloadable; provision of educational publications [not downloadable] through on-line computer networks; provision of on-line games [not downloadable] by computer network; arranging and conducting instructional courses; arranging and conducting technical instruction courses; arranging and conducting training courses; design of educational courses; organisation of training courses; providing of training courses; exhibition of video films; production of audio and video programmes; videotaping.

Class 42:

Advisory services relating to computer software; advisory services relating to software development; analysis and design of computer software, computer systems and printer systems; analysis of computer software; compilation of information relating to computer software; computer services relating to automatic software updating through computer networks; computer and software rental services; computer game software design; computer hardware and software advisory services; computer hardware and software design and development; computer hardware and software design for others; computer hardware and software development; computer services relating to the customisation and integration of computer software; computer software analysis, design and consultancy services; computer software application hosting services; computer software design and analysis services for others; computer software development; computer software installation services;

configuration of computer software; consulting services relating to engineering and software design; creation of software; design and development of computer hardware and software for authentication of identity; design and development of computer hardware and software for on-line attestation and verification of Internet users; design and development of computer programs and software; design and updating of computer programs and computer software; design of computer hardware, firmware and software; design of computer security software for others; software as a service [SaaS]; designing and developing computer software for others; development, design and creation of software; development of computer systems and software; development and maintenance of software for embedded devices; installation, design, upgrading and maintenance of computer software; integrating computer software applications; leasing of computer hardware and computer software; professional consultancy relating to computer hardware and computer software; providing information relating to computer software technology; rental of software; research and consultancy services relating to computer hardware and software; software consulting services; software development in the framework of software publishing; software engineering; technical consulting services relating to computer software; updating of computer software for others; upgrading of computer software; providing computer services for downloading computer software via the Internet; development of computer systems for the transaction and transmission of data.

- | | | |
|-------|------------------------------|------------|
| [526] | 卸棄 : | N/A |
| | Disclaimer: | |
| [529] | 限制 : | N/A |
| | Limitation: | |
| [527] | 條件 : | N/A |
| | Condition: | |
| | 其他 : | N/A |
| | Others | |
| [220] | 提交日期 : | 09-11-2021 |
| | Date of Filing: | |
| [320] | 聲稱具有優先權的日期 : | N/A |
| | Date of Priority Claimed: | |
| [310] | 優先權申請編號 : | N/A |
| | Priority Application Number: | |
| [340] | 聲稱具有優先權 (部分) : | N/A |
| | Priority Claim Details: | |
| [330] | 優先權申請的 | N/A |

國家、地區、地方：

Country, territory, area of

Priority Applications:

[210] 商標申請編號： 305796046

Application No.:

[540] 商標：

Mark:



[550] 商標種類： Ordinary

Mark Type:

一系列商標：

NO

Series Mark:

[571] 商標描述： N/A

Mark Description:

[730] 註冊申請人的姓名 / 名稱、地址： Metakey Pte Ltd.

Applicant(s)'

20A

Name, Address:

Tanjong Pagar Road 088443

SINGAPORE

[740/ 註冊申請人的送達地址： ONC LAWYERS

750] Applicant's Address for

Service:

19TH FLOOR, THREE EXCHANGE SQUARE,

8 CONNAUGHT PLACE, CENTRAL,

HONG KONG

[511] 類別編號： 9,41,42

Class(es) No(s) .:

[511] 貨品 / 服務說明：

Specification:

Class 9:

Downloadable cryptographic keys for receiving and spending cryptocurrency; security tokens [encryption devices]; access control software; 3D graphic software; aerospace maintenance management software; authentication software; authentication and authorization software; browser software for computer networks; computer hardware and software for data encryption, storage, and retrieval; computer hardware and software for facilitating on-line commercial transactions; computer hardware and software for intrusion detection; computer hardware and software for the development,

maintenance and operation of local area networks and wide area networks; computer hardware and software for use in data transformation, indexing, conversion, storage, retrieval, distribution and in record management; computer network management software; computer software and computer programs for digital certification; computer software and electronic user manuals for use in connection with fraud management in the fields of financial, debit, and credit card services; computer software and programs relating to aircraft, aircraft parts, aviation, avionics, flight simulation, navigation, aerospace products and maintenance, operation, repair, and training associated with aircraft and aerospace products; computer software applications, downloadable; computer software applied to the protection, prevention, detection, inspection, management, monitoring and supervision of machine faults, machine part deterioration and defects location; computer software development programs; computer software (downloadable); computer software featuring learning activities, games, and entertainment; computer software for application and database integration; computer software for hosting of digital content on the Internet; computer software for network and information technology security; computer software for preventing unauthorized access to computer networks; computer software for producing virtual reality; computer software for protecting and securing computer networks and applications; computer software for encrypting and authenticating data; computer software for searching and retrieving information via computer systems and computer networks; computer software for the automatic configuration of computer networks, computer programs, computer peripherals and other electronic devices; computer software for use in protecting the privacy and security of personal computers; computer software that detects, identifies, analyzes, manages, blocks and/or removes other computer software from a computer or computer network; computer utility software and programs; digital images for developing computer game software; downloadable audio recordings, video recordings, music, sounds, images, text, publications, signals, software, information, data and code provided via telecommunications networks, by online delivery and by way of the Internet and the world wide web; firewall

software; Internet browser software featuring filtering technology to filter unwanted electronic mail, web messages and on-line pop-up advertisements; operating system software; recorded computer programs (software); software for recording, transmitting and reproducing sound and/or images; apparatus, instruments and devices for the verification and validation of safety-related computer applications [hardware and software]; apparatus, instruments and software for communicating with local and global computer networks; application and communication software; application development software; application integration and connectivity software; application software for the management of electrical network inspection and monitoring systems; audio and video recordings, downloadable publications and software supplied on-line from a computer databases or the Internet; character recognition software; computer and video game software; Computer Aided Design (CAD) software; computer application software and utility programs enabling sound recorders and players to reproduce, record, edit and manage sound and data; computer application software for use in management of a database; computer communications software; computer file management software; computer game software, downloadable; computer games (software); computer hardware and software in the field of data storage; access security apparatus; biometric security devices; computer security and authentication software for controlling access to and communications with computers; security locking devices.

Class 41:

Arranging and conducting tutorials relating to the use of computer software; arranging and conducting workshops relating to the use of computer software; computer software training; conducting training classes relating to computer software and hardware; training services relating to computers, computer software, networking, data synchronization, mobile computing and data sharing; computer publications in electronic form provided on the Internet [not downloadable]; online publication (non-downloadable); providing computer games (non-downloadable) via the Internet and mobile telephone networks; providing electronic games [not downloadable] for mobile phones via the Internet; providing electronic publication [not downloadable] online featuring information relating to

science fictions, games and entertainment; providing electronic publications on-line [not downloadable]; providing interactive games (non-downloadable) by means of a global computer network; providing non-downloadable online electronic publications; providing online videos, not downloadable; provision of educational publications [not downloadable] through on-line computer networks; provision of on-line games [not downloadable] by computer network; arranging and conducting instructional courses; arranging and conducting technical instruction courses; arranging and conducting training courses; design of educational courses; organisation of training courses; providing of training courses; exhibition of video films; production of audio and video programmes; videotaping.

Class 42:

Advisory services relating to computer software; advisory services relating to software development; analysis and design of computer software, computer systems and printer systems; analysis of computer software; compilation of information relating to computer software; computer services relating to automatic software updating through computer networks; computer and software rental services; computer game software design; computer hardware and software advisory services; computer hardware and software design and development; computer hardware and software design for others; computer hardware and software development; computer services relating to the customisation and integration of computer software; computer software analysis, design and consultancy services; computer software application hosting services; computer software design and analysis services for others; computer software development; computer software installation services; configuration of computer software; consulting services relating to engineering and software design; creation of software; design and development of computer hardware and software for authentication of identity; design and development of computer hardware and software for on-line attestation and verification of Internet users; design and development of computer programs and software; design and updating of computer programs and computer software; design of computer hardware, firmware and software; design of computer security software for others; software as a service [SaaS]; designing and developing

computer software for others; development, design and creation of software; development of computer systems and software; development and maintenance of software for embedded devices; installation, design, upgrading and maintenance of computer software; integrating computer software applications; leasing of computer hardware and computer software; professional consultancy relating to computer hardware and computer software; providing information relating to computer software technology; rental of software; research and consultancy services relating to computer hardware and software; software consulting services; software development in the framework of software publishing; software engineering; technical consulting services relating to computer software; updating of computer software for others; upgrading of computer software; providing computer services for downloading computer software via the Internet; development of computer systems for the transaction and transmission of data.

- [526] 卸棄 : N/A
Disclaimer:
- [529] 限制 : N/A
Limitation:
- [527] 條件 : N/A
Condition:
其他 : N/A
Others
- [220] 提交日期 : 09-11-2021
Date of Filing:
- [320] 聲稱具有優先權的日期 : N/A
Date of Priority Claimed:
- [310] 優先權申請編號 : N/A
Priority Application Number:
- [340] 聲稱具有優先權 (部分) : N/A
Priority Claim Details:
- [330] 優先權申請的
國家、地區、地方 : N/A
Country, territory, area of
Priority Applications:
-
-

- [210] 商標申請編號 : 305796055
Application No.:

[540] 商標 :
Mark:

The logo for 'METAKEY' is displayed in a stylized, outlined font. The letters are blocky and interconnected, with a modern, digital aesthetic.

[550] 商標種類 : Ordinary

Mark Type:

一系列商標 :

NO

Series Mark:

[571] 商標描述 : N/A

Mark Description:

[730] 註冊申請人的姓名 / 名稱、地址 :

Metakey Pte Ltd.

Applicant(s)'

20A

Name,Address:

Tanjong Pagar Road 088443

SINGAPORE

[740/ 註冊申請人的送達地址 :

ONC LAWYERS

750] Applicant's Address for

19TH FLOOR, THREE EXCHANGE SQUARE,

Service:

8 CONNAUGHT PLACE, CENTRAL,

HONG KONG

[511] 類別編號 :

9, 41, 42

Class(es) No(s) .:

[511] 貨品 / 服務說明 :

Class 9:

Specification:

Downloadable cryptographic keys for receiving and spending cryptocurrency; security tokens [encryption devices]; access control software; 3D graphic software; aerospace maintenance management software; authentication software; authentication and authorization software; browser software for computer networks; computer hardware and software for data encryption, storage, and retrieval; computer hardware and software for facilitating on-line commercial transactions; computer hardware and software for intrusion detection; computer hardware and software for the development, maintenance and operation of local area networks and wide area networks; computer hardware and software for use in data transformation, indexing, conversion, storage, retrieval, distribution and in record management; computer network management software; computer software and computer programs for digital certification; computer software and electronic user manuals for use in connection with fraud management in the fields of financial, debit, and credit card services; computer software and programs relating to aircraft, aircraft parts, aviation, avionics, flight simulation, navigation, aerospace products and maintenance, operation, repair, and training associated with aircraft and aerospace products; computer software applications, downloadable; computer software applied to the protection, prevention, detection, inspection,

management, monitoring and supervision of machine faults, machine part deterioration and defects location; computer software development programs; computer software (downloadable); computer software featuring learning activities, games, and entertainment; computer software for application and database integration; computer software for hosting of digital content on the Internet; computer software for network and information technology security; computer software for preventing unauthorized access to computer networks; computer software for producing virtual reality; computer software for protecting and securing computer networks and applications; computer software for encrypting and authenticating data; computer software for searching and retrieving information via computer systems and computer networks; computer software for the automatic configuration of computer networks, computer programs, computer peripherals and other electronic devices; computer software for use in protecting the privacy and security of personal computers; computer software that detects, identifies, analyzes, manages, blocks and/or removes other computer software from a computer or computer network; computer utility software and programs; digital images for developing computer game software; downloadable audio recordings, video recordings, music, sounds, images, text, publications, signals, software, information, data and code provided via telecommunications networks, by online delivery and by way of the Internet and the world wide web; firewall software; Internet browser software featuring filtering technology to filter unwanted electronic mail, web messages and on-line pop-up advertisements; operating system software; recorded computer programs (software); software for recording, transmitting and reproducing sound and/or images; apparatus, instruments and devices for the verification and validation of safety-related computer applications [hardware and software]; apparatus, instruments and software for communicating with local and global computer networks; application and communication software; application development software; application integration and connectivity software; application software for the management of electrical network inspection and monitoring systems; audio and video recordings, downloadable publications and software supplied on-line from a computer

databases or the Internet; character recognition software; computer and video game software; Computer Aided Design (CAD) software; computer application software and utility programs enabling sound recorders and players to reproduce, record, edit and manage sound and data; computer application software for use in management of a database; computer communications software; computer file management software; computer game software, downloadable; computer games (software); computer hardware and software in the field of data storage; access security apparatus; biometric security devices; computer security and authentication software for controlling access to and communications with computers; security locking devices.

Class 41:

Arranging and conducting tutorials relating to the use of computer software; arranging and conducting workshops relating to the use of computer software; computer software training; conducting training classes relating to computer software and hardware; training services relating to computers, computer software, networking, data synchronization, mobile computing and data sharing; computer publications in electronic form provided on the Internet [not downloadable]; online publication (non-downloadable); providing computer games (non-downloadable) via the Internet and mobile telephone networks; providing electronic games [not downloadable] for mobile phones via the Internet; providing electronic publication [not downloadable] online featuring information relating to science fictions, games and entertainment; providing electronic publications on-line [not downloadable]; providing interactive games (non-downloadable) by means of a global computer network; providing non-downloadable online electronic publications; providing online videos, not downloadable; provision of educational publications [not downloadable] through on-line computer networks; provision of on-line games [not downloadable] by computer network; arranging and conducting instructional courses; arranging and conducting technical instruction courses; arranging and conducting training courses; design of educational courses; organisation of training courses; providing of training courses; exhibition of video films; production of audio and video programmes; videotaping.

Class 42:

Advisory services relating to computer

software; advisory services relating to software development; analysis and design of computer software, computer systems and printer systems; analysis of computer software; compilation of information relating to computer software; computer services relating to automatic software updating through computer networks; computer and software rental services; computer game software design; computer hardware and software advisory services; computer hardware and software design and development; computer hardware and software design for others; computer hardware and software development; computer services relating to the customisation and integration of computer software; computer software analysis, design and consultancy services; computer software application hosting services; computer software design and analysis services for others; computer software development; computer software installation services; configuration of computer software; consulting services relating to engineering and software design; creation of software; design and development of computer hardware and software for authentication of identity; design and development of computer hardware and software for on-line attestation and verification of Internet users; design and development of computer programs and software; design and updating of computer programs and computer software; design of computer hardware, firmware and software; design of computer security software for others; software as a service [SaaS]; designing and developing computer software for others; development, design and creation of software; development of computer systems and software; development and maintenance of software for embedded devices; installation, design, upgrading and maintenance of computer software; integrating computer software applications; leasing of computer hardware and computer software; professional consultancy relating to computer hardware and computer software; providing information relating to computer software technology; rental of software; research and consultancy services relating to computer hardware and software; software consulting services; software development in the framework of software publishing; software engineering; technical consulting services relating to computer software; updating of computer software for others; upgrading of computer software; providing computer services

for downloading computer software via the Internet; development of computer systems for the transaction and transmission of data.

- [526] 卸棄: N/A
Disclaimer:
- [529] 限制: N/A
Limitation:
- [527] 條件: N/A
Condition:
其他: N/A
Others
- [220] 提交日期: 09-11-2021
Date of Filing:
- [320] 聲稱具有優先權的日期: N/A
Date of Priority Claimed:
- [310] 優先權申請編號: N/A
Priority Application Number:
- [340] 聲稱具有優先權 (部分): N/A
Priority Claim Details:
- [330] 優先權申請的
國家、地區、地方: N/A
Country, territory, area of
Priority Applications:

- [210] 商標申請編號: 305796451
Application No.:
- [540] 商標:
Mark:



**Know
Before
Fabricate**

- [550] 商標種類: 一般商標
Mark Type:
一系列商標: 否
Series Mark:
- [571] 商標描述: 不適用
Mark Description:
- [730] 註冊申請人的姓名 / 名稱、地址: 蘇州易來科得科技有限公司
Applicant (s) ' 中國
Name, Address: 蘇州市相城區
黃橋街道旺盛路蘇州智能製造服務產業園 A 棟 3 樓 3033 室

[740/ 註冊申請人的送達地址 : 750] Applicant's Address for Service:	香港知識產權代理有限公司 香港 新界白石角香港科學園第三期 科技大道西 12 號 2 樓 230 室
[511] 類別編號 : Class(es) No(s) .:	9, 35, 38, 42
[511] 貨品 / 服務說明 : Specification:	類別 9: 電極; 燃料電池; 汽車電池; 鋰離子電池; 可充電電池; 視聽 教學儀器; 數據處理設備; 計算機軟件 (已錄製); 計算機程 序 (可下載軟件); 已錄製的或可下載的計算機軟件平台; 可 下載的手機應用軟件; 電池。 類別 35: 廣告; 特許經營的商業管理; 為商品和服務的買賣雙方提供在 線市場; 市場營銷; 人力資源管理; 計算機數據庫信息系統化 ; 會計; 尋找贊助; 通過互聯網提供商業信息服務; 為商業和 廣告目的舉辦、安排和組織貿易展示和交易會。 類別 38: 互聯網廣播服務; 信息傳送; 計算機終端通訊; 計算機輔助信 息和圖像傳送; 提供全球計算機網絡用戶接入服務; 提供數據 庫接入服務; 數據流傳輸; 聲音、圖像、信號和數據的網絡傳 送; 提供即時信息傳送服務; 提供在線論壇。 類別 42: 材料測試; 計算機編程; 計算機軟件設計; 軟件即服務 (SaaS) ; 雲計算; 替他人研究和開發新產品; 技術開發領域的諮詢 服務; 技術研究; 化學分析; 手機應用軟件的設計和開發; 平 台即服務 (PaaS) 。
[526] 卸棄 : Disclaimer:	不適用
[529] 限制 : Limitation:	不適用
[527] 條件 : Condition: 其他 : Others	不適用 不適用
[220] 提交日期 : Date of Filing:	09-11-2021
[320] 聲稱具有優先權的日期 : Date of Priority Claimed:	不適用
[310] 優先權申請編號 : Priority Application Number:	不適用
[340] 聲稱具有優先權 (部分) : Priority Claim Details:	不適用
[330] 優先權申請的 國家、地區、地方 : Country, territory, area of Priority Applications:	不適用

[210] 商標申請編號 : 305796460
Application No.:

[540] 商標 :
Mark:



[550] 商標種類 : 一般商標
Mark Type:
一系列商標 : 否
Series Mark:

[571] 商標描述 : 不適用
Mark Description:

[730] 註冊申請人的姓名 / 名稱、地址 : 蘇州易來科得科技有限公司
Applicant(s) ' 中國
Name, Address: 蘇州市相城區

[740/ 註冊申請人的送達地址 : 香港知識產權代理有限公司
750] Applicant's Address for 香港
Service: 新界白石角香港科學園第三期
科技大道西 12 號 2 樓 230 室

[511] 類別編號 : 9, 35, 38, 42
Class(es) No(s) .:

[511] 貨品 / 服務說明 : 類別 9:
Specification: 電極; 燃料電池; 汽車電池; 鋰離子電池; 可充電電池; 視聽
教學儀器; 數據處理設備; 計算機軟件 (已錄製); 計算機程
序 (可下載軟件); 已錄製的或可下載的計算機軟件平台; 可
下載的手機應用軟件; 電池。

類別 35:
廣告; 特許經營的商業管理; 為商品和服務的買賣雙方提供在
線市場; 市場營銷; 人力資源管理; 計算機數據庫信息系統化
; 會計; 尋找贊助; 通過互聯網提供商業信息服務; 為商業和
廣告目的舉辦、安排和組織貿易展示和交易會。

類別 38:
互聯網廣播服務; 信息傳送; 計算機終端通訊; 計算機輔助信
息和圖像傳送; 提供全球計算機網絡用戶接入服務; 提供數據
庫接入服務; 數據流傳輸; 聲音、圖像、信號和數據的網絡傳
送; 提供即時信息傳送服務; 提供在線論壇。

類別 42:
材料測試; 計算機編程; 計算機軟件設計; 軟件即服務 (SaaS
) ; 雲計算; 替他人研究和開發新產品; 技術開發領域的諮詢
服務; 技術研究; 化學分析; 手機應用軟件的設計和開發; 平
台即服務 (PaaS) 。

[526] 卸棄 : 不適用
Disclaimer:

[529] 限制 : 不適用
Limitation:

[527] 條件 : 不適用
Condition:
其他 : 不適用
Others

[220] 提交日期 : 09-11-2021
Date of Filing:

[320] 聲稱具有優先權的日期 : 不適用
Date of Priority Claimed:

[310] 優先權申請編號 : 不適用
Priority Application Number:

[340] 聲稱具有優先權 (部分) : 不適用
Priority Claim Details:

[330] 優先權申請的
國家、地區、地方 : 不適用
Country, territory, area of
Priority Applications:

[210] 商標申請編號 : 305797883
Application No.:

[540] 商標 :
Mark:

MØUCEE

[550] 商標種類 : 一般商標
Mark Type:
一系列商標 : 否
Series Mark:

[571] 商標描述 : 不適用
Mark Description:

[730] 註冊申請人的姓名 / 名稱、地址 : 蘇州眸視光學科技有限公司
Applicant(s) ' 中國
Name, Address: 蘇州工業園區裕新路 188 號
同程大廈 B 區-8F805

[740/ 註冊申請人的送達地址 : INTERMARK PATENTES Y MARCAS, S.L.P. LIMITED
750] Applicant's Address for 香港
Service: 九龍灣宏光道 8 號
創豪坊 6 樓 F 室

[511] 類別編號 : 9
Class(es) No(s) .:

[511] 貨品 / 服務說明 : Specification:	類別 9: 眼鏡鏈; 矯正透鏡 (光學); 眼鏡片; 眼鏡框; 夾鼻眼鏡; 眼鏡; 隱形眼鏡; 眼鏡盒; 眼鏡架; 太陽鏡
[526] 卸棄 : Disclaimer:	不適用
[529] 限制 : Limitation:	不適用
[527] 條件 : Condition: 其他 : Others	不適用
[220] 提交日期 : Date of Filing:	10-11-2021
[320] 聲稱具有優先權的日期 : Date of Priority Claimed:	不適用
[310] 優先權申請編號 : Priority Application Number:	不適用
[340] 聲稱具有優先權 (部分) : Priority Claim Details:	不適用
[330] 優先權申請的 國家、地區、地方 : Country, territory, area of Priority Applications:	不適用

[210] 商標申請編號 : Application No.:	305797982
[540] 商標 : Mark:	



思坦科技
SITAN TECHNOLOGY

[550] 商標種類 : Mark Type: 一系列商標 : Series Mark:	Ordinary NO
[571] 商標描述 : Mark Description:	N/A

[730] 註冊申請人的姓名 / 名稱、地址 : SITAN SEMICONDUCTOR INTERNATIONAL CO. LIMITED
 Applicant(s)' UNIT 1102, 11/F, 29 AUSTIN ROAD,
 Name,Address: TSIM SHA TSUI KOWLOON,
 HONG KONG

[740/ 註冊申請人的送達地址 : ZHOU WEI
 750] Applicant's Address for UNIT 615,6/F,LAKESIDE 2,
 Service: 10W,HKSTP, PAK SHEK KOK,NT
 HONG KONG

[511] 類別編號 : 9,35,42
 Class(es) No(s) .:

[511] 貨品 / 服務說明 : Class 9:
 Specification: Monitors (computer hardware); light-emitting
 diodes; quantum dot light-emitting diodes
 (QLED); chips (integrated circuits); computer
 programs, downloadable; television apparatus;
 integrated circuit cards [smart cards]; smart
 cards [integrated circuit cards]; printed
 circuit boards; semi-conductors; wearable
 video display monitors
 Class 35:
 online advertising on a computer network;
 systemization of information into computer
 databases; marketing; demonstration of goods;
 publication of publicity texts; distribution
 of samples
 Class 42:
 scientific and technological services and
 research and design relating thereto;
 industrial analysis, industrial research and
 industrial design services; design and
 development of computer hardware and software,
 telecommunication networks and
 telecommunication tools; technical testing
 services relating to system integration;
 scientific research; material testing;
 scientific laboratory services

[526] 卸棄 : N/A
 Disclaimer:

[529] 限制 : N/A
 Limitation:

[527] 條件 : N/A
 Condition:
 其他 : N/A
 Others

[220] 提交日期 : 10-11-2021
 Date of Filing:

[320] 聲稱具有優先權的日期 : N/A
 Date of Priority Claimed:

[310] 優先權申請編號 : N/A
 Priority Application Number:

[340] 聲稱具有優先權 (部分) : N/A
 Priority Claim Details:

[330] 優先權申請的 N/A
 國家、地區、地方 :

Country, territory, area of
Priority Applications:

[210] 商標申請編號 : 305798107
Application No.:

[540] 商標 : A
Mark:



B



C



- [550] 商標種類 : Ordinary
Mark Type:
一系列商標 : YES
Series Mark:
- [571] 商標描述 : The applicant claims the colour blue as an element of mark "A" in the series.
Mark Description:
- [730] 註冊申請人的姓名 / 名稱、地址 : Flowing Cloud Technology Ltd
Applicant(s) ' Sertus Chambers, Governors Square, Suite # 5-204,
Name,Address: 23 Lime Tree Bay Avenue, P.O. Box 2547, Grand Cayman, KY1-1104,
CAYMAN ISLANDS
- [740/ 註冊申請人的送達地址 : ELLALAN
750] Applicant's Address for 26th and 28th Floors, The Hennessy,
Service: 256 Hennessy Road, Wanchai,
HONG KONG
- [511] 類別編號 : 9,35,38,41,42
Class(es) No(s) .:
- [511] 貨品 / 服務說明 : Class 9:
Specification: Electronic publications, downloadable;
downloadable mobile application software;
computer software platforms, recorded or
downloadable; computer programs, recorded or
downloadable; data processing apparatus;
interactive touch screen terminals.
Class 35:
Advertising; publicity; online advertising on
a computer network; sales promotion for
others; provision of an online marketplace for
buyers and sellers of goods and services;
providing user rankings for commercial or
advertising purposes; marketing; presentation
of goods on communication media, for retail
purposes; search engine optimization for sales
promotion; commercial information agency
services.
Class 38:
Computer aided transmission of messages and
images; providing user access to global
computer networks; transmission of podcasts;
video-on-demand transmission; electronic
bulletin board services [telecommunications
services]; communications by computer
terminals; message sending; providing online
forums; streaming of data; videoconferencing
services; providing information in the field
of telecommunications.
Class 41:
Providing information in the field of
education; providing information in the field
of entertainment; publication of books; online
publication of electronic books and journals;
organization of shows [impresario services];
game services provided online from a computer
network; organization of exhibitions for

cultural or educational purposes; providing recreation facilities; television entertainment; distribution of videotapes.

Class 42:

Software as a service [SaaS]; platform as a service [PaaS]; cloud computing; information technology [IT] consultancy; computer technology consultancy; data security consultancy; electronic data storage; conversion of computer programs and data, other than physical conversion; computer programming; computer software design; consultancy in the design and development of computer hardware; monitoring of computer systems by remote access.

- [526] 卸棄 : N/A
Disclaimer:
- [529] 限制 : N/A
Limitation:
- [527] 條件 : N/A
Condition:
其他 : N/A
Others
- [220] 提交日期 : 10-11-2021
Date of Filing:
- [320] 聲稱具有優先權的日期 : N/A
Date of Priority Claimed:
- [310] 優先權申請編號 : N/A
Priority Application Number:
- [340] 聲稱具有優先權 (部分) : N/A
Priority Claim Details:
- [330] 優先權申請的
國家、地區、地方 : N/A
Country, territory, area of
Priority Applications:

-
- [210] 商標申請編號 : 305798116
Application No.:
- [540] 商標 : A
Mark:



B



C



- [550] 商標種類 : Ordinary
 Mark Type:
 一系列商標 : YES
 Series Mark:
- [571] 商標描述 : The applicant claims the colour blue as an
 Mark Description: element of mark "A" in the series.
- [730] 註冊申請人的姓名 / 名稱、地址 : Flowing Cloud Technology Ltd
 Applicant(s) ' Sertus Chambers, Governors Square, Suite # 5-
 Name,Address: 204,
 23 Lime Tree Bay Avenue, P.O. Box 2547, Grand
 Cayman, KY1-1104,
 CAYMAN ISLANDS
- [740/ 註冊申請人的送達地址 : ELLALAN
 750] Applicant's Address for 26th and 28th Floors, The Hennessy,
 Service: 256 Hennessy Road, Wanchai,
 HONG KONG
- [511] 類別編號 : 9,35,38,41,42
 Class(es) No(s) .:
- [511] 貨品 / 服務說明 : Class 9:
 Specification: Electronic publications, downloadable;
 downloadable mobile application software;
 computer software platforms, recorded or
 downloadable; computer programs, recorded or
 downloadable; data processing apparatus;
 interactive touch screen terminals.
 Class 35:
 Advertising; publicity; online advertising on
 a computer network; sales promotion for
 others; provision of an online marketplace for
 buyers and sellers of goods and services;
 providing user rankings for commercial or
 advertising purposes; marketing; presentation
 of goods on communication media, for retail
 purposes; search engine optimization for sales
 promotion; commercial information agency
 services.
 Class 38:
 Computer aided transmission of messages and
 images; providing user access to global
 computer networks; transmission of podcasts;

video-on-demand transmission; electronic bulletin board services [telecommunications services]; communications by computer terminals; message sending; providing online forums; streaming of data; videoconferencing services; providing information in the field of telecommunications.

Class 41:

Providing information in the field of education; providing information in the field of entertainment; publication of books; online publication of electronic books and journals; organization of shows [impresario services]; game services provided online from a computer network; organization of exhibitions for cultural or educational purposes; providing recreation facilities; television entertainment; distribution of videotapes.

Class 42:

Software as a service [SaaS]; platform as a service [PaaS]; cloud computing; information technology [IT] consultancy; computer technology consultancy; data security consultancy; electronic data storage; conversion of computer programs and data, other than physical conversion; computer programming; computer software design; consultancy in the design and development of computer hardware; monitoring of computer systems by remote access.

[526]	卸棄 : Disclaimer:	N/A
[529]	限制 : Limitation:	N/A
[527]	條件 : Condition:	N/A
	其他 : Others	N/A
[220]	提交日期 : Date of Filing:	10-11-2021
[320]	聲稱具有優先權的日期 : Date of Priority Claimed:	N/A
[310]	優先權申請編號 : Priority Application Number:	N/A
[340]	聲稱具有優先權 (部分) : Priority Claim Details:	N/A
[330]	優先權申請的 國家、地區、地方 : Country, territory, area of Priority Applications:	N/A

[210] 商標申請編號: 305798143
Application No.:

[540] 商標: A
Mark:



B



C



[550] 商標種類: Ordinary
Mark Type:
一系列商標: YES
Series Mark:

[571] 商標描述: The applicant claims the colour blue as an
Mark Description: element of mark "A" in the series.

[730] 註冊申請人的姓名 / 名稱、地址: Flowing Cloud Technology Ltd
Applicant(s) ' Sertus Chambers, Governors Square, Suite # 5-
Name,Address: 204,
23 Lime Tree Bay Avenue, P.O. Box 2547, Grand
Cayman, KY1-1104,
CAYMAN ISLANDS

[740/ 註冊申請人的送達地址: ELLALAN
750] Applicant's Address for 26th and 28th Floors, The Hennessy,
Service: 256 Hennessy Road, Wanchai,
HONG KONG

[511] 類別編號: 9,35,38,41,42
Class(es) No(s) .:

[511] 貨品 / 服務說明: Class 9:
Specification: Electronic publications, downloadable;
downloadable mobile application software;
computer software platforms, recorded or
downloadable; computer programs, recorded or
downloadable; data processing apparatus;
interactive touch screen terminals.
Class 35:
Advertising; publicity; online advertising on
a computer network; sales promotion for
others; provision of an online marketplace for

buyers and sellers of goods and services; providing user rankings for commercial or advertising purposes; marketing; presentation of goods on communication media, for retail purposes; search engine optimization for sales promotion; commercial information agency services.

Class 38:

Computer aided transmission of messages and images; providing user access to global computer networks; transmission of podcasts; video-on-demand transmission; electronic bulletin board services [telecommunications services]; communications by computer terminals; message sending; providing online forums; streaming of data; videoconferencing services; providing information in the field of telecommunications.

Class 41:

Providing information in the field of education; providing information in the field of entertainment; publication of books; online publication of electronic books and journals; organization of shows [impresario services]; game services provided online from a computer network; organization of exhibitions for cultural or educational purposes; providing recreation facilities; television entertainment; distribution of videotapes.

Class 42:

Software as a service [SaaS]; platform as a service [PaaS]; cloud computing; information technology [IT] consultancy; computer technology consultancy; data security consultancy; electronic data storage; conversion of computer programs and data, other than physical conversion; computer programming; computer software design; consultancy in the design and development of computer hardware; monitoring of computer systems by remote access.

- | | | |
|-------|------------------------------|------------|
| [526] | 卸棄 : | N/A |
| | Disclaimer: | |
| [529] | 限制 : | N/A |
| | Limitation: | |
| [527] | 條件 : | N/A |
| | Condition: | |
| | 其他 : | N/A |
| | Others | |
| [220] | 提交日期 : | 10-11-2021 |
| | Date of Filing: | |
| [320] | 聲稱具有優先權的日期 : | N/A |
| | Date of Priority Claimed: | |
| [310] | 優先權申請編號 : | N/A |
| | Priority Application Number: | |

[340] 聲稱具有優先權 (部分): N/A
Priority Claim Details:
[330] 優先權申請的 N/A
國家、地區、地方:
Country, territory, area of
Priority Applications:

[210] 商標申請編號: 305798152
Application No.:

[540] 商標: A
Mark:



B



C



[550] 商標種類: Ordinary
Mark Type:
一系列商標: YES
Series Mark:

[571] 商標描述: The applicant claims the colour blue as an
Mark Description: element of mark "A" in the series.

[730] 註冊申請人的姓名 / 名稱、地址: Flowing Cloud Technology Ltd
Applicant(s) ' Sertus Chambers, Governors Square, Suite # 5-
Name, Address: 204,
23 Lime Tree Bay Avenue, P.O. Box 2547, Grand
Cayman, KY1-1104,
CAYMAN ISLANDS

[740/ 註冊申請人的送達地址 : ELLALAN
750] Applicant's Address for 26th and 28th Floors, The Hennessy,
Service: 256 Hennessy Road, Wanchai,
HONG KONG

[511] 類別編號 : 9,35,38,41,42
Class(es) No(s) .:

[511] 貨品 / 服務說明 :
Specification:

Class 9:
Electronic publications, downloadable;
downloadable mobile application software;
computer software platforms, recorded or
downloadable; computer programs, recorded or
downloadable; data processing apparatus;
interactive touch screen terminals.

Class 35:
Advertising; publicity; online advertising on
a computer network; sales promotion for
others; provision of an online marketplace for
buyers and sellers of goods and services;
providing user rankings for commercial or
advertising purposes; marketing; presentation
of goods on communication media, for retail
purposes; search engine optimization for sales
promotion; commercial information agency
services.

Class 38:
Computer aided transmission of messages and
images; providing user access to global
computer networks; transmission of podcasts;
video-on-demand transmission; electronic
bulletin board services [telecommunications
services]; communications by computer
terminals; message sending; providing online
forums; streaming of data; videoconferencing
services; providing information in the field
of telecommunications.

Class 41:
Providing information in the field of
education; providing information in the field
of entertainment; publication of books; online
publication of electronic books and journals;
organization of shows [impresario services];
game services provided online from a computer
network; organization of exhibitions for
cultural or educational purposes; providing
recreation facilities; television
entertainment; distribution of videotapes.

Class 42:
Software as a service [SaaS]; platform as a
service [PaaS]; cloud computing; information
technology [IT] consultancy; computer
technology consultancy; data security
consultancy; electronic data storage;
conversion of computer programs and data,
other than physical conversion; computer
programming; computer software design;
consultancy in the design and development of

computer hardware; monitoring of computer systems by remote access.

- [526] 卸棄: N/A
Disclaimer:
- [529] 限制: N/A
Limitation:
- [527] 條件: N/A
Condition:
其他: N/A
Others
- [220] 提交日期: 10-11-2021
Date of Filing:
- [320] 聲稱具有優先權的日期: N/A
Date of Priority Claimed:
- [310] 優先權申請編號: N/A
Priority Application Number:
- [340] 聲稱具有優先權 (部分): N/A
Priority Claim Details:
- [330] 優先權申請的
國家、地區、地方: N/A
Country, territory, area of
Priority Applications:

- [210] 商標申請編號: 305798323
Application No.:

- [540] 商標: A
Mark:



B



- [550] 商標種類: 一般商標
Mark Type:
一系列商標: 是
Series Mark:
- [571] 商標描述: 不適用
Mark Description:

- [730] 註冊申請人的姓名 / 名稱、地址 : 山東睿芯半導體科技有限公司
Applicant(s)' Name, Address: 中國
山東省日照市
經濟開發區上海路 388 號
- [740/ 註冊申請人的送達地址 : 龍子有限公司
750] Applicant's Address for Service: 香港
中環士丹利街 10-12 號
萬利豐中心 18 樓
- [511] 類別編號 : 9
Class(es) No(s) .:
- [511] 貨品 / 服務說明 : 類別 9:
Specification: 電腦週邊設備 ; 電子信號發射器 ; 集成電路 ; 電子芯片 ; 電池
充電器 ; 半導體器件 ; 已錄製的計算機操作程序 ; 探測器 , 芯
片 (集成電路) ; 音響警報器。
- [526] 卸棄 : 不適用
Disclaimer:
- [529] 限制 : 不適用
Limitation:
- [527] 條件 : 不適用
Condition:
其他 : 不適用
Others
- [220] 提交日期 : 10-11-2021
Date of Filing:
- [320] 聲稱具有優先權的日期 : 不適用
Date of Priority Claimed:
- [310] 優先權申請編號 : 不適用
Priority Application Number:
- [340] 聲稱具有優先權 (部分) : 不適用
Priority Claim Details:
- [330] 優先權申請的 不適用
國家、地區、地方 :
Country, territory, area of
Priority Applications:

-
- [210] 商標申請編號 : 305798350
Application No.:

- [540] 商標 :
Mark:

The logo consists of the letters 'RZR' in a large, bold, black, sans-serif font, followed by 'X' in a smaller, bold, black, sans-serif font.

- [550] 商標種類 : 一般商標
Mark Type:
一系列商標 : 否
Series Mark:

[571] 商標描述 : Mark Description:	不適用
[730] 註冊申請人的姓名 / 名稱、地址 : Applicant(s) ' Name,Address:	山東睿芯半導體科技有限公司 中國 山東省日照市 經濟開發區上海路 388 號
[740/ 註冊申請人的送達地址 : 750] Applicant's Address for Service:	龍子有限公司 香港 中環士丹利街 10-12 號 萬利豐中心 18 樓
[511] 類別編號 : Class(es) No(s) .:	9
[511] 貨品 / 服務說明 : Specification:	類別 9: 電腦週邊設備; 電子信號發射器; 集成電路; 電子芯片; 電池 充電器; 半導體器件; 已錄製的計算機操作程序; 探測器, 芯 片 (集成電路); 音響警報器。
[526] 卸棄 : Disclaimer:	不適用
[529] 限制 : Limitation:	不適用
[527] 條件 : Condition:	不適用
其他 : Others	不適用
[220] 提交日期 : Date of Filing:	10-11-2021
[320] 聲稱具有優先權的日期 : Date of Priority Claimed:	不適用
[310] 優先權申請編號 : Priority Application Number:	不適用
[340] 聲稱具有優先權 (部分) : Priority Claim Details:	不適用
[330] 優先權申請的 國家、地區、地方 : Country, territory, area of Priority Applications:	不適用

[210] 商標申請編號 : Application No.:	305798585
[540] 商標 : Mark:	Arrowmark

[550] 商標種類 : Mark Type:	一般商標
----------------------------	------

	一系列商標 :	否
	Series Mark:	
[571]	商標描述 :	不適用
	Mark Description:	
[730]	註冊申請人的姓名 / 名稱、地址 :	ARROWMARK PTE. LTD.
	Applicant(s) 'Name,Address:	新加坡 塞西爾街 20 號 PIUS 大廈 05-03 號
[740/750]	註冊申請人的送達地址 : Applicant's Address for Service:	港智國際知識產權代理有限公司 香港 上環德輔道中 272-284 號 興業商業中心 5 樓 505 室
[511]	類別編號 :	9
	Class(es) No(s) .:	
[511]	貨品 / 服務說明 :	類別 9:
	Specification:	已錄製的或可下載的計算機屏保軟件；可下載的計算機應用軟件；可下載的手機應用軟件；數據處理設備；智能眼鏡（數據處理）；創建和編輯音樂和聲音用計算機軟件；音樂作曲軟件；音頻和視頻設備操作控制用計算機軟件；編輯圖像、聲音和視頻用計算機程序；數據壓縮軟件；編譯軟件；處理數字音樂文件用計算機軟件；處理數字圖像用計算機軟件。
[526]	卸棄 :	不適用
	Disclaimer:	
[529]	限制 :	不適用
	Limitation:	
[527]	條件 :	不適用
	Condition:	
	其他 :	不適用
	Others	
[220]	提交日期 :	11-11-2021
	Date of Filing:	
[320]	聲稱具有優先權的日期 :	不適用
	Date of Priority Claimed:	
[310]	優先權申請編號 :	不適用
	Priority Application Number:	
[340]	聲稱具有優先權 (部分) :	不適用
	Priority Claim Details:	
[330]	優先權申請的 國家、地區、地方 :	不適用
	Country, territory, area of Priority Applications:	
<hr/>		
[210]	商標申請編號 :	305798602
	Application No.:	

[540] 商標 :
Mark:

Everscale

[550] 商標種類 : Ordinary
Mark Type:
一系列商標 : NO
Series Mark:

[571] 商標描述 : N/A
Mark Description:

[730] 註冊申請人的姓名 / 名稱、地址 : Genesis Digital Ltd
Applicant(s) ' Ground Floor, Coastal Building, Wickhams Cay II,
Name, Address: P.O. Box 2136, Carrot Bay Road Town, VG 1130
VIRGIN ISLANDS (BRITISH)

[740/ 註冊申請人的送達地址 : BORSAM INTELLECTUAL PROPERTY LIMITED
750] Applicant's Address for Room 605,6/F,Fa Yuen Commercial Building
Service: 75-77 Fa Yuen Street, Mongkok, Kowloon
HONG KONG

[511] 類別編號 : 9,35,36,38,42,45
Class(es) No(s) .:

[511] 貨品 / 服務說明 : Class 9:
Specification: Computer game software, downloadable; Computer
game software, recorded; Computer hardware;
Computer memory devices; Computer operating
programs, recorded; Computer peripheral
devices; Computer programs, downloadable;
Computer software, recorded; Computer software
applications, downloadable; Computer software
platforms, recorded or downloadable; Contacts,
electric; Data processing equipment; Digital
signs; Downloadable cryptographic keys for
receiving and spending cryptocurrency;
Personal digital assistants [PDAs];
Downloadable e-wallets; Downloadable emoticons
for mobile phones; Downloadable graphics for
mobile phones; Downloadable image files;
Downloadable music files; Downloadable ring
tones for mobile phones; Electronic agendas;
Electronic tags for goods; Electronic
publications, downloadable; Encoded key cards;
Encoded magnetic cards; Identity cards,
magnetic; Monitors [computer programs];
Security tokens [encryption devices]
Class 35:
Administration of loyalty rewards programs;
Administrative processing of purchase orders;

Publicity services; Rental of advertising space; Outdoor advertising; Business efficiency expert services; Auctioneering services; Business inquiries; Business intermediary services relating to the matching of potential private investors with entrepreneurs needing funding; Business management and organization consultancy; Providing assistance in the field of business management; Business management consultancy; Business management for freelance service providers; Business management of reimbursement programmes for others; Business organization consultancy; Business project management services for construction projects; Business research; Professional business consultancy; Business information; Providing business information via a web site; Commercial administration of the licensing of the goods and services of others; Commercial information agency services; Commercial intermediation services; Commercial or industrial management assistance; Provision of commercial and business contact information; Commercial information and advice for consumers in the choice of products and services; Compilation of statistics; Compiling indexes of information for commercial or advertising purposes; Computerized file management; Consumer profiling for commercial or marketing purposes; Corporate communications services; Cost price analysis; Data search in computer files for others; Billing; Negotiation and conclusion of commercial transactions for third parties; Negotiation of business contracts for others; Online advertising on a computer network; Online retail services for downloadable and pre-recorded music and movies; Online retail services for downloadable digital music; Online retail services for downloadable ring tones; Provision of an online marketplace for buyers and sellers of goods and services; Pay per click advertising; Photocopying services; Presentation of goods on communication media, for retail purposes; Price comparison services; Retail services for works of art provided by art galleries; Scriptwriting for advertising purposes; Search engine optimization for sales promotion; Targeted marketing; Updating and maintenance of data in computer databases; Updating and maintenance of information in registries; Providing user rankings for commercial or advertising purposes; Web indexing for commercial or advertising purposes; Web site traffic

optimization

Class 36:

Banking; Brokerage; Fund investment services; Deposits of valuables; Credit agency services; E-wallet payment services; Electronic funds transfer; Electronic transfer of virtual currencies; Currency trading and exchange services; Financial consultancy; Financial customs brokerage services; Financial exchange of virtual currency; Financial management; Financial sponsorship; Providing financial information; Providing financial information via a web site; Financing services; Loans [financing]; Online banking; Credit card payment processing; Processing of debit card payments; Provident fund services; Safe deposit services; Issuance of tokens of value

Class 38:

Providing access to databases; Communications by cellular phones; Communications by computer terminals; Communications by fibre optic networks; Communications by telephone; Computer aided transmission of messages and images; Information about telecommunication; Providing internet chatrooms; Message sending; Providing online forums; Streaming of data; Providing telecommunications connections to a global computer network; Transmission of digital files; Transmission of electronic mail; Transmission of greeting cards online; Providing user access to global computer networks; Video-on-demand transmission; Providing video conferencing services; Voice mail services

Class 42:

Installation of computer software; Providing information on computer technology and programming via a web site; Outsource service providers in the field of information technology; Information technology consulting; Hosting computer sites [web sites]; Engineering services; Electronic monitoring of personally identifying information to detect identity theft via the internet; Electronic monitoring of credit card activity to detect fraud via the internet; Duplication of computer programs; Digitization of documents [scanning]; Development of computer platforms; Electronic data storage; Data security consultancy; Data encryption services; Creating and maintaining web sites for others; Creating and designing website-based indexes of information for others [information technology services]; Conversion of data or documents from physical to electronic media; Consultancy in the design and development of

computer hardware; Authenticating works of art; Cloud computing; Computer programming; Computer security consultancy; Computer software consultancy; Computer software design; Computer system analysis; Computer system design; Computer technology consultancy; Rental of computer software; Maintenance of computer software; Internet security consultancy; Off-site data backup; Recovery of computer data; Platform as a service [PaaS]; Research and development of new products for others; Providing search engines for the internet; Server hosting; Software as a service [SaaS]; Software development in the framework of software publishing; Technical writing; Technological consultancy; Telecommunications technology consultancy; Updating of computer software; User authentication services using single sign-on technology for online software applications; User authentication services using technology for e-commerce transactions
Class 45:

Licensing [legal services] in the framework of software publishing; Licensing of computer software [legal services]; Lost property return; Online social networking services; Online social networking services accessible by means of downloadable mobile applications; Registration of domain names [legal services]; Tracking of stolen property

- [526] 卸棄 : N/A
Disclaimer:
- [529] 限制 : N/A
Limitation:
- [527] 條件 : N/A
Condition:
其他 : N/A
Others
- [220] 提交日期 : 11-11-2021
Date of Filing:
- [320] 聲稱具有優先權的日期 : 02-11-2021
Date of Priority Claimed:
- [310] 優先權申請編號 : 018591384
Priority Application Number:
- [340] 聲稱具有優先權 (部分) : N/A
Priority Claim Details:
- [330] 優先權申請的
國家、地區、地方 : EUROPEAN UNION
Country, territory, area of
Priority Applications:

[210] 商標申請編號 : 305798783
Application No.:

[540] 商標 :
Mark:



[550] 商標種類 : 一般商標
Mark Type:

一系列商標 : 否
Series Mark:

[571] 商標描述 : 不適用
Mark Description:

[730] 註冊申請人的姓名 / 名稱、地址 : 中國數字健康集團有限公司
Applicant(s) ' 香港
Name, Address: 九龍新蒲崗五芳街 8 號

[740/ 註冊申請人的送達地址 : 銘捷國際知識產權事務所
750] Applicant's Address for 香港
Service: 九龍旺角花園街 2-16 號
好景商業中心 10 樓 1005 室

[511] 類別編號 : 3, 5, 9, 10, 21, 35, 38, 41, 42, 44
Class(es) No(s) .:

[511] 貨品 / 服務說明 : 類別 9:
Specification: 計算機程序 (可下載軟件); 電子監控裝置; 無線電設備; 複
印機 (照相、靜電、熱); 報警器; 芯片 (集成電路); 光學
器械和儀器; 測量儀器; 放映設備; 救生器械和設備。

[526] 卸棄 : 不適用
Disclaimer:

[529] 限制 : 不適用
Limitation:

[527] 條件 : 不適用
Condition:

其他 : 不適用
Others

[220] 提交日期 : 11-11-2021
Date of Filing:

[320] 聲稱具有優先權的日期 : 不適用
Date of Priority Claimed:

[310] 優先權申請編號 : 不適用
Priority Application Number:

[340] 聲稱具有優先權 (部分): 不適用
Priority Claim Details:

[330] 優先權申請的 不適用
國家、地區、地方:
Country, territory, area of
Priority Applications:

[210] 商標申請編號: 305800527
Application No.:

[540] 商標:
Mark:



[550] 商標種類: Ordinary
Mark Type:

一系列商標: NO

Series Mark:

[571] 商標描述: N/A
Mark Description:

[730] 註冊申請人的姓名 / 名稱、地址: ANTARES VISION S.P.A.
Applicant(s) ' VIA DEL FERRO 16
Name,Address: 25039 TRAVAGLIATO (BRESCIA)
ITALY

[740/ 註冊申請人的送達地址: DEACONS
750] Applicant's Address for 5th Floor,
Service: Alexandra House Central
HONG KONG

[511] 類別編號: 7, 9, 42
Class(es) No(s) .:

[511] 貨品 / 服務說明: Class 9:
Specification: Scientific, research, photographic,
audiovisual, optical, weighing, measuring,
signalling, detecting, testing, inspecting
apparatus and instruments; Safety, security,
protection and signalling devices; Apparatus
and instruments for recording, transmitting,
processing or reproducing sound, data or
images; Recorded and downloadable media,
computer software, blank digital or analogue

recording and storage media; Calculators; Computers and computer peripheral devices; Magnetic resonance imaging [MRI] apparatus, not for medical purposes; Intercommunication apparatus; Precision measuring apparatus; Apparatus and installations for the production of X-rays, not for medical purposes; Regulating apparatus, electric; Testing apparatus not for medical purposes; Data processing apparatus; X-ray apparatus not for medical purposes; Computer software applications, downloadable; Magnetic encoders; Computer hardware; Light-emitting diodes [LED]; Quantum dot light-emitting diodes [QLED]; Organic light-emitting diodes [OLED]; Electronic numeric displays; Security tokens [encryption devices]; Electronic tags for goods; Quantity indicators; Pressure indicators; Temperature indicators; Speed indicators; Circuit closers; Optical lanterns; Optical lenses; Bar code readers; Optical readers; Microscopes; Monitors [computer hardware]; Objectives [lenses] [optics]; Computer software platforms, recorded or downloadable; Computer programs, downloadable; Electronic publications, downloadable; Light-emitting electronic pointers; Light dimmers [regulators], electric; Audio- and video-receivers; Laboratory robots; Radiology screens for industrial purposes; Computer software, recorded; Probes for scientific purposes; Mirrors [optics]; Spectrograph apparatus; Spectroscopes; Printers for use with computers; Observation instruments; Material testing instruments and machines; Interactive touch screen terminals; Thermal imaging cameras; X-ray tubes not for medical purposes; Processors [central processing units]; Computer peripheral devices; Camcorders; Product tracking and identification apparatus, instruments and software; Code application and encoding technology devices; Identification and authentication instruments and devices; Product and packaging verification apparatus and instruments; Computers and computer software for data collection, transmission, archiving, management and processing; Computers and computer peripheral devices for diagnostics; Peripherals adapted for use with computers and other smart devices; Artificial intelligence apparatus, Artificial intelligence tools; downloadable computer software for remote monitoring and analysis; Apparatus and instruments for production line verification, inspection and monitoring;

Industrial machine viewing apparatus and systems and components and fittings therefor; Inspection systems; Leak testing machines and instruments, Apparatus for testing seals; Production process control, optimisation and management software; Supply chain, logistics and store management software; Computer software for automating and managing business procedures; Metal detectors.

- [526] 卸棄 : N/A
Disclaimer:
- [529] 限制 : N/A
Limitation:
- [527] 條件 : N/A
Condition:
其他 : N/A
Others
- [220] 提交日期 : 12-11-2021
Date of Filing:
- [320] 聲稱具有優先權的日期 : 13-05-2021
Date of Priority Claimed:
- [310] 優先權申請編號 : 302021000090413
Priority Application Number:
- [340] 聲稱具有優先權 (部分) : N/A
Priority Claim Details:
- [330] 優先權申請的
國家、地區、地方 : ITALY
Country, territory, area of
Priority Applications:
-
-

- [210] 商標申請編號 : 305800798
Application No.:
- [540] 商標 :
Mark:

GEMO

- [550] 商標種類: 一般商標
Mark Type:
一系列商標: 否
Series Mark:
- [571] 商標描述: 不適用
Mark Description:
- [730] 註冊申請人的姓名 / 名稱、地址: 杭州氫氧電子商務有限公司
Applicant(s) ' 中國
Name, Address: 浙江省杭州市
濱江區長河街道江虹路 735 號 4 幢四層 406 室
- [740/ 註冊申請人的送達地址: 滙誠知識產權有限公司
750] Applicant's Address for 香港
Service: 灣仔軒尼詩道 8-12 號
中港大廈 8 樓
- [511] 類別編號: 3, 5, 8, 9, 10
Class(es) No(s) .:
- [511] 貨品 / 服務說明: 類別 9:
Specification: 交互式觸屏終端; 網路通訊設備; 可下載的手機鈴音; USB 閃
存盤; 掃描儀 (數據處理設備); 耳機; 計算機外圍設備; 可
下載的計算機程序; 計算機; 數據處理設備; 電源適配器; 電
池充電器; 蓄電池充電器; 充電器; 秤; 地秤; 揚聲器; 衡量
器具; 眼鏡; 太陽鏡
- [526] 卸棄: 不適用
Disclaimer:
- [529] 限制: 不適用
Limitation:
- [527] 條件: 不適用
Condition:
其他: 不適用
Others
- [220] 提交日期: 12-11-2021
Date of Filing:
- [320] 聲稱具有優先權的日期: 不適用
Date of Priority Claimed:
- [310] 優先權申請編號: 不適用
Priority Application Number:
- [340] 聲稱具有優先權 (部分): 不適用
Priority Claim Details:
- [330] 優先權申請的 不適用
國家、地區、地方:
Country, territory, area of
Priority Applications:
-
-

- [210] 商標申請編號: 305800851
Application No.:

- [540] 商標 :
Mark:
- 
- [550] 商標種類 : 一般商標
Mark Type:
一系列商標 : 否
Series Mark:
- [571] 商標描述 : 不適用
Mark Description:
- [730] 註冊申請人的姓名 / 名稱、地址 : 上海英恒電子有限公司 (SHANGHAI INTRON ELECTRONICS
Applicant(s) ' CO., LTD.)
Name, Address: 中國
(上海)自由貿易試驗區
世紀大道 1090 號 523 室
中港知識產權有限公司
- [740/ 註冊申請人的送達地址 : 香港
750] Applicant's Address for 灣仔告士打道 151 號
Service: 資本中心 15 樓 1502 室
- [511] 類別編號 : 9, 42
Class(es) No(s) .:
- [511] 貨品 / 服務說明 : 類別 9:
Specification: 已錄製的或可下載的計算機軟件平臺; 印刷電路; 電子控制儀器。
類別 42:
技術研究; 替他人研究和開發新產品; 計算機編程; 計算機軟件出租; 計算機軟件諮詢; 用於無線聯絡、電子數據處理、消費電子及汽車電子設備的電路製造技術開發。
- [526] 卸棄 : 不適用
Disclaimer:
- [529] 限制 : 不適用
Limitation:
- [527] 條件 : 不適用
Condition:
其他 : 不適用
Others
- [220] 提交日期 : 12-11-2021
Date of Filing:
- [320] 聲稱具有優先權的日期 : 不適用
Date of Priority Claimed:
- [310] 優先權申請編號 : 不適用
Priority Application Number:
- [340] 聲稱具有優先權 (部分) : 不適用
Priority Claim Details:
- [330] 優先權申請的 不適用
國家、地區、地方 :
Country, territory, area of
Priority Applications:

[210] 商標申請編號 : 305802651

Application No.:

[540] 商標 :

Mark:



[550] 商標種類 : Ordinary

Mark Type:

一系列商標 :

NO

Series Mark:

[571] 商標描述 : N/A

Mark Description:

[730] 註冊申請人的姓名 / 名稱、地址 :

Applicant(s) '

Name,Address:

Sentient Technology Company Limited
Room 1820, 18/F, Nan Fung Centre,
264-298 Castle Peak Road, Tsuen Wan, N.T.,
HONG KONG

[740/ 註冊申請人的送達地址 :

750] Applicant's Address for
Service:

HONG KONG INTELLECTUAL PROPERTY AGENT LIMITED
Unit 230, 2/F, Building 12W, No. 12 Science
Park West Avenue,
Phase 3, Hong Kong Science Park, Pak Shek Kok,
N.T.,
HONG KONG

[511] 類別編號 : 9,11

Class(es) No(s) .:

[511] 貨品 / 服務說明 :

Specification:

Class 9:

Sensors, detectors and monitoring instruments;
sensors for detecting water leakage;
Temperature sensors; downloadable software for
mobile phones and electronic devices for
controlling the water leakage protection
system; Wifi devices (Wireless transmitting
and receiving apparatus); alarm systems; water
leakage alarm systems; earth leakage breakers;
circuit breakers; power cut-off protectors
against water leakage; electric cable wires
for sensors.

Class 11:

Water control valves; actuator valves for
reducing leakage from water system [water
control valves].

[526] 卸棄 : N/A

Disclaimer:

[529] 限制 : N/A

Limitation:

[527] 條件 : N/A

Condition:

其他 : N/A
Others

[220] 提交日期 : 16-11-2021
Date of Filing:


[320] 聲稱具有優先權的日期 : N/A
Date of Priority Claimed:

[310] 優先權申請編號 : N/A
Priority Application Number:

[340] 聲稱具有優先權 (部分) : N/A
Priority Claim Details:

[330] 優先權申請的
國家、地區、地方 : N/A
Country, territory, area of
Priority Applications:

[210] 商標申請編號 : 305804118
Application No.:

[540] 商標 :
Mark: 

[550] 商標種類 : Ordinary
Mark Type:

一系列商標 : NO
Series Mark:

[571] 商標描述 : N/A
Mark Description:

[730] 註冊申請人的姓名 / 名稱、地址 : Hays plc
Applicant(s) ' 4th Floor, 20 Triton Street,
Name,Address: London, NW1 3BF,
UNITED KINGDOM

[740/ 註冊申請人的送達地址 : Rouse & Co. International (Overseas) Limited
750] Applicant's Address for 26/F., Tesbury Centre,
Service: 28 Queen's Road East
HONG KONG

[511] 類別編號 : 9,42
Class(es) No(s).:

[511] 貨品 / 服務說明 : Class 9:
Specification: Computer software; mobile application
software; computer software for recruitment;
computer software to enable users access to
information on recruitment and selection,
project management, work, and vacancies;
computer software for personal information
management; computer software for the
provision and brokering of freelance and
contract work; computer software to enable
users to interact and negotiate freelancer and

contractor agreements; software programs for freelancer and contract work management; software programs for workforce management systems; computer software for accessing, browsing and searching online databases; computer software for the management of recruitment processes; computer software relating to recruitment; computer software for recruitment process and project management and HR outsourcing services relating to recruitment; computer software for employee talent management; computer software for salary surveys for recruitment purposes; mobile application software for recruitment process and project management and HR outsourcing services relating to recruitment; computer software for providing primary vendor services and delivering workforce fulfilment capability; mobile application software for providing primary vendor services and delivering workforce fulfilment capability.

Class 42:

Software as a service; platform as a service; application service provider (ASP) featuring software for recruitment; platform as a service [PaaS] and infrastructure as a service (IaaS), all for recruitment and personnel management; software as a service [SaaS], platform as a service [PaaS] and infrastructure as a service (IaaS); software as a services for the provision and brokering of freelance and contract work; platform as a service for the provision and brokering of freelance and contract work; software as a service to enable users to interact and negotiate freelancer and contractor agreements; platform as a service for personnel and human resources management; platform as a service for business project management; software as a service for business project management; software as a service for workforce management; platform as a service to enable users to interact and negotiate freelancer and contractor agreements; computer services, namely creating of an online community to enable registered users to participate in discussions, negotiate freelancer and contract agreements and engage in business networking; computer services, namely providing of a web-based system with software enabling user access to information on recruitment and selection and vacancies; hosting of a website where users can place messages relating to recruitment; software as a service for recruitment process and project management and HR outsourcing services

relating to recruitment; platform as a services for recruitment process and project management and HR outsourcing services relating to recruitment process; software as a service for employee talent management; software as a service for salary surveys for recruitment purposes; software as a service for the management of recruitment processes; software as a service for personnel and human resources management; advisory and consultancy services in respect of all the aforesaid; hosting of a website where users can place messages offering or seeking jobs.

- [526] 卸棄 : N/A
Disclaimer:
- [529] 限制 : N/A
Limitation:
- [527] 條件 : N/A
Condition:
其他 : N/A
Others
- [220] 提交日期 : 17-11-2021
Date of Filing:
- [320] 聲稱具有優先權的日期 : 05-07-2021
Date of Priority Claimed:
- [310] 優先權申請編號 : 3664463
Priority Application Number:
- [340] 聲稱具有優先權 (部分) : N/A
Priority Claim Details:
- [330] 優先權申請的
國家、地區、地方 : UNITED KINGDOM
Country, territory, area of
Priority Applications:

- [210] 商標申請編號 : 305804127
Application No.:

- [540] 商標 :
Mark: **HAYS Expert4Experts**

- [550] 商標種類 : Ordinary
Mark Type:
一系列商標 : NO
Series Mark:

- [571] 商標描述 : N/A
Mark Description:

[730] 註冊申請人的姓名 / 名稱、地址 : Hays plc
Applicant(s)' 4th Floor, 20 Triton Street,
Name,Address: London, NW1 3BF,
UNITED KINGDOM

[740/ 註冊申請人的送達地址 : Rouse & Co. International (Overseas) Limited
750] Applicant's Address for 26/F., Tesbury Centre,
Service: 28 Queen's Road East
HONG KONG

[511] 類別編號 : 9,35,42
Class(es) No(s) .:

[511] 貨品 / 服務說明 : Class 9:
Specification: Computer software; mobile application
software; computer software for recruitment;
computer software to enable users access to
information on recruitment and selection,
project management, work, and vacancies;
computer software for personal information
management; computer software for the
provision and brokering of freelance and
contract work; computer software to enable
users to interact and negotiate freelancer and
contractor agreements; software programs for
freelancer and contract work management;
software programs for workforce management
systems; computer software for accessing,
browsing and searching online databases;
computer software for the management of
recruitment processes; computer software
relating to recruitment; computer software for
recruitment process and project management and
HR outsourcing services relating to
recruitment; computer software for employee
talent management; computer software for
salary surveys for recruitment purposes;
mobile application software for recruitment
process and project management and HR
outsourcing services relating to recruitment;
computer software for providing primary vendor
services and delivering workforce fulfilment
capability; mobile application software for
providing primary vendor services and
delivering workforce fulfilment capability;
software for communication training; software
for the booking of travel and accommodation;
software for the facilitation of payments;
software for personnel management, in
particular, in connection with on and off
boarding of recruitment candidates, rehiring
of candidates, billing and time recording.
Class 35:
Permanent and temporary recruitment services;
recruitment and employment agency services;
specialist recruitment services; personnel and
human resources management services relating
to recruitment; recruitment process and
project management and HR outsourcing services

relating to recruitment; assessment and development of candidates, such services being in the field of recruitment; employee talent management relating to recruitment; salary surveys for recruitment purposes; business project management; management of business projects for others; management of implementation and day-to-day process of workforce management; billing services in the field of recruitment.

Class 42:

Software as a service; platform as a service; application service provider (ASP) featuring software for recruitment; platform as a service [PaaS] and infrastructure as a service (IaaS), all for recruitment and personnel management; software as a service [SaaS], platform as a service [PaaS] and infrastructure as a service (IaaS); software as a services for the provision and brokering of freelance and contract work; platform as a service for the provision and brokering of freelance and contract work; software as a service to enable users to interact and negotiate freelancer and contractor agreements; platform as a service for personnel and human resources management; platform as a service for business project management; software as a service for business project management; software as a service for workforce management; platform as a service to enable users to interact and negotiate freelancer and contractor agreements; computer services, namely creating of an online community to enable registered users to participate in discussions, negotiate freelancer and contract agreements and engage in business networking; computer services, namely providing of a web-based system with software enabling user access to information on recruitment and selection and vacancies; hosting of a website where users can place messages relating to recruitment; software as a service for recruitment process and project management and HR outsourcing services relating to recruitment; platform as a services for recruitment process and project management and HR outsourcing services relating to recruitment process; software as a service for employee talent management; software as a service for salary surveys for recruitment purposes; software as a service for the management of recruitment processes; software as a service for personnel and human resources management; software as a service for communication training; software as a

service for the booking of travel and accommodation; software as a service for the facilitation of payments; software as a service for personnel management, in particular, in connection with on and off boarding of recruitment candidates, rehiring of candidates, billing and time recording; platform as a service for communication training; platform as a service for the booking of travel and accommodation; platform as a service for the facilitation of payments; platform as a service for personnel management, in particular, in connection with on and off boarding of recruitment candidates, rehiring of candidates, billing and time recording; advisory and consultancy services in respect of all the aforesaid; hosting of a website where users can place messages offering or seeking jobs.

- [526] 卸棄 : N/A
Disclaimer:
- [529] 限制 : N/A
Limitation:
- [527] 條件 : N/A
Condition:
其他 : N/A
Others
- [220] 提交日期 : 17-11-2021
Date of Filing:
- [320] 聲稱具有優先權的日期 : 05-07-2021
Date of Priority Claimed:
- [310] 優先權申請編號 : 3664474
Priority Application Number:
- [340] 聲稱具有優先權 (部分) : N/A
Priority Claim Details:
- [330] 優先權申請的
國家、地區、地方 : UNITED KINGDOM
Country, territory, area of
Priority Applications:

- [210] 商標申請編號 : 305804334
Application No.:

- [540] 商標 :
Mark:

A



B



C



- [550] 商標種類 : Ordinary
 Mark Type:
 一系列商標 : YES
 Series Mark:
- [571] 商標描述 : The applicant claims the colour yellow as an
 Mark Description: element of mark "A" in the series, and the
 colours yellow and white as elements of mark
 "B" in the series.
- [730] 註冊申請人的姓名 / 名稱、地址 : TUOFAN IT LIMITED
 Applicant(s) ' Suite 2701, 27/F Nina Tower,
 Name,Address: 8 Yeung Uk Road, Tsuen Wan, New Territories,
 HONG KONG
- [740/ 註冊申請人的送達地址 : TUOFAN IT LIMITED
 750] Applicant's Address for Suite 2701, 27/F Nina Tower
 Service: 8 Yeung Uk Road, Tsuen Wan, New Territories,
 HONG KONG
- [511] 類別編號 : 9,35,36,42
 Class(es) No(s) .:
- [511] 貨品 / 服務說明 : Class 9:
 Specification: Computer operating programs, recorded;
 computer programs, downloadable; computer
 programs, recorded; computer software
 applications, downloadable; computer software
 platforms, recorded or downloadable; computer
 software, recorded; downloadable or recorded
 computer software platforms, recorded, for
 processing and storing data in a distributed
 ledger; downloadable computer programs for
 processing and storing data in a distributed
 ledger; downloadable computer software for
 database management; downloadable computer
 operating system software; downloadable
 application programming interface (API)
 software; computer software for business
 purposes; business process management [BPM]
 software; computer software for use in
 automating and managing business processes;
 computer e-commerce software to allow users to
 perform electronic business transactions via a
 global computer network; computer software for
 analyzing, searching and processing market
 information; downloadable database management
 software for use by financial advisors;
 financial management software for use by
 financial advisors; computer software for
 handling financial transactions; computer
 software for financial management, financial
 reporting, producing financial models;
 computer software for use in processing data
 relating to financial matters; downloadable
 software for blockchain-based inventory

management; downloadable computer software for managing and verifying cryptocurrency transactions on a blockchain; downloadable computer software for managing cryptocurrency transactions using blockchain technology; downloadable computer software for managing and validating cryptocurrency and other digital asset transactions using blockchain-based smart contracts; software; downloadable or recorded computer software platforms, recorded, for processing and storing data in a distributed ledger; computer software using blockchain based technology; financial management software using blockchain technology; business process management software using blockchain based technology; Computers; Security tokens [encryption devices]; all the aforesaid included in Class 9.

Class 35:

Business management and business administration services; administration of consumer loyalty programs; business consultancy services; business data analysis; data processing; auctioneering; book-keeping; accounting; financial auditing; business information; business intermediary services relating to the matching of potential private investors with entrepreneurs needing funding; business management and organisation consultancy; business research; commercial information and advice for consumers in the choice of products and services; competitive intelligence services; drawing up of statements of accounts; market intelligence services; collection of information for market research; negotiation and conclusion of commercial transactions for third parties; opinion polling; advertising and marketing services; organisation of exhibitions for commercial or advertising purposes; organisation of trade fairs for commercial or advertising services; providing business information via a web site; provision of an online marketplace for buyers and sellers of goods and services; electronic retailing and wholesaling via computer and/or the Internet; public relations; tax preparation; publicity; commercial administration of the licensing of the goods and services of others; all the aforesaid services included in Class 35.

Class 36:

Financial services; banking; brokerage; brokerage of currency; buying and selling currency; exchange brokerage; capital investment; investments; financial clearing

and financial clearing houses; deposits of valuables; electronic funds transfer; exchanging money; financial analysis; financial consultancy; financial advisory services; financial information; financing services; issuance of tokens of value; online banking; processing of financial transactions; processing of credit card payments; processing of debit card payments; providing financial information via a web site; providing rebates at participating establishments of others through use of a membership card; safe deposit services; securities brokerage; stock brokerage services; stock exchange quotations; loans; monitoring of funds; monitoring of investments; investment research; economic and financial research; financial modelling; business appraisals for financial valuation; trading and exchange of cryptocurrency and other digital assets; buying, selling and exchange of trading currency; digital currency exchange services; trading of securities; financial services dealing with digital tokens; on-line real-time currency trading; virtual currency services; all the aforesaid services included in Class 36.

Class 42:

Cloud computing; design and development of computer software for processing and/or storing data in a cloud computing environment; consulting services in the field of cloud computing; computer software consultancy; computer software design; computer system design; computer technology consultancy; development of computer platforms; outsource service providers in the field of information technology; platform as a service [PaaS]; software as a service [SaaS]; platform as a service (PaaS) featuring computer software platforms for processing and storing data in a distributed ledger; software as a service (SaaS) services featuring software for processing and storing data in a distributed ledger; software as a service (SaaS) services, namely, hosting software for use by others for use processing and storing data in a distributed ledger; installation of computer software; updating of computer software; computer software design for others; developing customized software for others; developing and updating computer software; computer software development; maintenance of computer software; custom design of computer software; business technology software consultation services; software development in the framework of software publishing;

provision of information in relation to the aforesaid services via online website; all the aforesaid services included in Class 42.

- [526] 卸棄 : N/A
Disclaimer:
- [529] 限制 : N/A
Limitation:
- [527] 條件 : N/A
Condition:
其他 : N/A
Others
- [220] 提交日期 : 22-11-2021
Date of Filing:
- [320] 聲稱具有優先權的日期 : N/A
Date of Priority Claimed:
- [310] 優先權申請編號 : N/A
Priority Application Number:
- [340] 聲稱具有優先權 (部分) : N/A
Priority Claim Details:
- [330] 優先權申請的
國家、地區、地方 : N/A
Country, territory, area of
Priority Applications:

- [210] 商標申請編號 : 305804343
Application No.:

- [540] 商標 :
Mark:



- [550] 商標種類 : Ordinary
Mark Type:
- 一系列商標 : YES
Series Mark:

- [571] 商標描述 : The applicant claims the colours yellow, green and red as elements of mark "A" in the series, and the colours yellow, green, red and white as elements of mark "B" in the series.
Mark Description:

[730] 註冊申請人的姓名 / 名稱、地址 : TUOFAN IT LIMITED
Applicant(s)' Suite 2701, 27/F Nina Tower,
Name,Address: 8 Yeung Uk Road, Tsuen Wan, New Territories,
HONG KONG

[740/ 註冊申請人的送達地址 : TUOFAN IT LIMITED
750] Applicant's Address for Suite 2701, 27/F Nina Tower
Service: 8 Yeung Uk Road, Tsuen Wan, New Territories,
HONG KONG

[511] 類別編號 : 9,35,36,42
Class(es) No(s) .:

[511] 貨品 / 服務說明 : Class 9:
Specification: Computer operating programs, recorded;
computer programs, downloadable; computer
programs, recorded; computer software
applications, downloadable; computer software
platforms, recorded or downloadable; computer
software, recorded; downloadable or recorded
computer software platforms, recorded, for
processing and storing data in a distributed
ledger; downloadable computer programs for
processing and storing data in a distributed
ledger; downloadable computer software for
database management; downloadable computer
operating system software; downloadable
application programming interface (API)
software; computer software for business
purposes; business process management [BPM]
software; computer software for use in
automating and managing business processes;
computer e-commerce software to allow users to
perform electronic business transactions via a
global computer network; computer software for
analyzing, searching and processing market
information; downloadable database management
software for use by financial advisors;
financial management software for use by
financial advisors; computer software for
handling financial transactions; computer
software for financial management, financial
reporting, producing financial models;
computer software for use in processing data
relating to financial matters; downloadable
software for blockchain-based inventory
management; downloadable computer software for
managing and verifying cryptocurrency
transactions on a blockchain; downloadable
computer software for managing cryptocurrency
transactions using blockchain technology;
downloadable computer software for managing
and validating cryptocurrency and other
digital asset transactions using blockchain-
based smart contracts; software; downloadable
or recorded computer software platforms,
recorded, for processing and storing data in a
distributed ledger; computer software using
blockchain based technology; financial

management software using blockchain technology; business process management software using blockchain based technology; Computers; Security tokens [encryption devices]; all the aforesaid included in Class 9.

Class 35:

Business management and business administration services; administration of consumer loyalty programs; business consultancy services; business data analysis; data processing; auctioneering; book-keeping; accounting; financial auditing; business information; business intermediary services relating to the matching of potential private investors with entrepreneurs needing funding; business management and organisation consultancy; business research; commercial information and advice for consumers in the choice of products and services; competitive intelligence services; drawing up of statements of accounts; market intelligence services; collection of information for market research; negotiation and conclusion of commercial transactions for third parties; opinion polling; advertising and marketing services; organisation of exhibitions for commercial or advertising purposes; organisation of trade fairs for commercial or advertising services; providing business information via a web site; provision of an online marketplace for buyers and sellers of goods and services; electronic retailing and wholesaling via computer and/or the Internet; public relations; tax preparation; publicity; commercial administration of the licensing of the goods and services of others; all the aforesaid services included in Class 35.

Class 36:

Financial services; banking; brokerage; brokerage of currency; buying and selling currency; exchange brokerage; capital investment; investments; financial clearing and financial clearing houses; deposits of valuables; electronic funds transfer; exchanging money; financial analysis; financial consultancy; financial advisory services; financial information; financing services; issuance of tokens of value; online banking; processing of financial transactions; processing of credit card payments; processing of debit card payments; providing financial information via a web site; providing rebates at participating establishments of others through use of a membership card; safe deposit services; securities brokerage; stock

brokerage services; stock exchange quotations; loans; monitoring of funds; monitoring of investments; investment research; economic and financial research; financial modelling; business appraisals for financial valuation; trading and exchange of cryptocurrency and other digital assets; buying, selling and exchange of trading currency; digital currency exchange services; trading of securities; financial services dealing with digital tokens; on-line real-time currency trading; virtual currency services; all the aforesaid services included in Class 36.

Class 42:

Cloud computing; design and development of computer software for processing and/or storing data in a cloud computing environment; consulting services in the field of cloud computing; computer software consultancy; computer software design; computer system design; computer technology consultancy; development of computer platforms; outsourcing service providers in the field of information technology; platform as a service [PaaS]; software as a service [SaaS]; platform as a service (PaaS) featuring computer software platforms for processing and storing data in a distributed ledger; software as a service (SaaS) services featuring software for processing and storing data in a distributed ledger; software as a service (SaaS) services, namely, hosting software for use by others for use processing and storing data in a distributed ledger; installation of computer software; updating of computer software; computer software design for others; developing customized software for others; developing and updating computer software; computer software development; maintenance of computer software; custom design of computer software; business technology software consultation services; software development in the framework of software publishing; provision of information in relation to the aforesaid services via online website; all the aforesaid services included in Class 42.

- | | | |
|-------|-------------|-----|
| [526] | 卸棄 : | N/A |
| | Disclaimer: | |
| [529] | 限制 : | N/A |
| | Limitation: | |
| [527] | 條件 : | N/A |
| | Condition: | |
| | 其他 : | N/A |
| | Others | |

[220] 提交日期 : 22-11-2021
Date of Filing:
[320] 聲稱具有優先權的日期 : N/A
Date of Priority Claimed:
[310] 優先權申請編號 : N/A
Priority Application Number:
[340] 聲稱具有優先權 (部分) : N/A
Priority Claim Details:
[330] 優先權申請的 : N/A
國家、地區、地方 :
Country, territory, area of
Priority Applications:

[210] 商標申請編號 : 305804398
Application No.:
[540] 商標 :
Mark:

breathforce

[550] 商標種類 : 一般商標
Mark Type:
一系列商標 : 否
Series Mark:
[571] 商標描述 : 不適用
Mark Description:
[730] 註冊申請人的姓名 / 名稱、地址 : 上海迪勤智能科技有限公司
Applicant(s) ' 中國
Name, Address: 上海市靜安區
江場西路 299 弄 49 號 1601-3 室
[740/ 註冊申請人的送達地址 : 錦標知識產權管理有限公司
750] Applicant's Address for 香港
Service: 九龍旺角彌敦道 678 號
華僑商業中心 15/F C 室
[511] 類別編號 : 9, 11
Class(es) No(s) . :
[511] 貨品 / 服務說明 : 類別 9:
Specification: 數據處理設備 ; 電子出版物 (可下載) ; 可下載的計算機應用
軟體 ; 可下載的計算機程序 ; 已錄製的或可下載的計算機軟體
平臺 ; 精密測量儀器 ; 空氣分析儀器 ; 氣體檢測儀 ; 探測器 ;

壓電感測器。

類別 11:

空氣調節設備；空氣過濾設備；空氣淨化裝置和機器；通風設備和裝置（空氣調節）；空調用過濾器；氣體淨化裝置；運載工具用通風裝置（空氣調節）；空氣除臭裝置；消毒設備；水淨化設備和機器。

- [526] 卸棄：
Disclaimer: 不適用
- [529] 限制：
Limitation: 不適用
- [527] 條件：
Condition: 不適用
其他：
Others: 不適用
- [220] 提交日期：
Date of Filing: 17-11-2021
- [320] 聲稱具有優先權的日期：
Date of Priority Claimed: 不適用
- [310] 優先權申請編號：
Priority Application Number: 不適用
- [340] 聲稱具有優先權（部分）：
Priority Claim Details: 不適用
- [330] 優先權申請的
國家、地區、地方：
Country, territory, area of
Priority Applications: 不適用

-
- [210] 商標申請編號：
Application No.: 305804406
- [540] 商標：
Mark:



RUI ZHI

- [550] 商標種類：
Mark Type: Ordinary
- 一系列商標：
Series Mark: NO

- [571] 商標描述 : N/A
Mark Description:
- [730] 註冊申請人的姓名 / 名稱、地址 : HONG KONG RUIZHI INTERNATIONAL TRADE CO.,
Applicant(s) ' LTMITED
Name,Address: FLAT 1506, 15/F LUCKY CTR
NO 165-171 WAN CHAI RD WAN CHAI
HONG KONG
- [740/ 註冊申請人的送達地址 : C&H IP LAW LIMITED
750] Applicant's Address for 8/F., China Hong Kong Tower,
Service: 8-12 Hennessy Road, Wan Chai
HONG KONG
- [511] 類別編號 : 9,35
Class(es) No(s) .:
- [511] 貨品 / 服務說明 : Class 9:
Specification: selfie sticks [hand-held monopods]; earphone;
eyeglasses; smartwatches; cabinets for
loudspeakers; wireless speakers; USB cables;
smartphones
Class 35:
bill-posting; procurement services for others
[purchasing goods and services for other
businesses]; commercial administration of the
licensing of the goods and services of others;
providing business information via a website;
provision of an online marketplace for buyers
and sellers of goods and services;
presentation of goods on communication media,
for retail purposes; demonstration of goods;
shop window dressing; import-export agency
services; sponsorship search
- [526] 卸棄 : N/A
Disclaimer:
- [529] 限制 : N/A
Limitation:
- [527] 條件 : N/A
Condition:
其他 : N/A
Others
- [220] 提交日期 : 17-11-2021
Date of Filing:
- [320] 聲稱具有優先權的日期 : N/A
Date of Priority Claimed:
- [310] 優先權申請編號 : N/A
Priority Application Number:
- [340] 聲稱具有優先權 (部分) : N/A
Priority Claim Details:
- [330] 優先權申請的 N/A
國家、地區、地方 :
Country, territory, area of
Priority Applications:
-
-

[210] 商標申請編號 : 305804875
Application No.:

[540] 商標 :
Mark:



[550] 商標種類 : Ordinary
Mark Type:
一 系列商標 : NO
Series Mark:

[571] 商標描述 : N/A
Mark Description:

[730] 註冊申請人的姓名 / 名稱、地址 : NAITO HIROYUKI
Applicant(s) ' 17-21-4 Sugimoto-cho,
Name,Address: Sabae-city, Fukui,
JAPAN

[740/ 註冊申請人的送達地址 : 百信企業服務有限公司
750] Applicant's Address for 香港
Service: 金鐘金鐘道 89 號
力寶中心第一座 10 樓 1003 室
9

[511] 類別編號 :
Class(es) No(s) .:

[511] 貨品 / 服務說明 : Class 9:
Specification: Eyeglasses; sunglasses; spectacle frames;
eyeglass nose pads; cases adapted for
eyeglasses; eyeglass lenses; eyeglass frames;
anti-glare glasses and sunglasses and their
parts.

[526] 卸棄 : N/A
Disclaimer:

[529] 限制 : N/A
Limitation:

[527] 條件 : N/A
Condition:
其他 : N/A
Others

[220] 提交日期 : 18-11-2021
Date of Filing:

[320] 聲稱具有優先權的日期 : N/A
Date of Priority Claimed:


[310] 優先權申請編號 : N/A
Priority Application Number:

[340] 聲稱具有優先權 (部分) : N/A
Priority Claim Details:

[330] 優先權申請的 N/A
國家、地區、地方：
Country, territory, area of
Priority Applications:

[210] 商標申請編號： 305804884
Application No.:

[540] 商標：
Mark:

Leowl in eye 

[550] 商標種類： Ordinary
Mark Type:

一系列商標： NO

Series Mark:

[571] 商標描述： N/A
Mark Description:

[730] 註冊申請人的姓名 / 名稱、地址： NAITO HIROYUKI
Applicant(s) ' 17-21-4 Sugimoto-cho,
Name,Address: Sabae-city, Fukui,
JAPAN

[740/ 註冊申請人的送達地址： 百信企業服務有限公司

750] Applicant's Address for 香港
Service: 金鐘金鐘道 89 號
力寶中心第一座 10 樓 1003 室

[511] 類別編號： 9
Class(es) No(s) .:

[511] 貨品 / 服務說明： Class 9:
Specification: Eyeglasses; sunglasses; spectacle frames;
eyeglass nose pads; cases adapted for
eyeglasses; eyeglass lenses; eyeglass frames;
anti-glare glasses and sunglasses and their
parts.

[526] 卸棄： N/A
Disclaimer:

[529] 限制： N/A
Limitation:

[527] 條件： N/A
Condition:

其他： N/A
Others

[220] 提交日期： 18-11-2021
Date of Filing:

[320] 聲稱具有優先權的日期： N/A
Date of Priority Claimed:

[310] 優先權申請編號： N/A
Priority Application Number:

[340] 聲稱具有優先權 (部分): N/A
Priority Claim Details:

[330] 優先權申請的 N/A
國家、地區、地方:
Country, territory, area of
Priority Applications:

[210] 商標申請編號: 305805496
Application No.:

[540] 商標:
Mark:

SCOUT AIR

[550] 商標種類: Ordinary
Mark Type:
一系列商標: NO
Series Mark:

[571] 商標描述: N/A
Mark Description:

[730] 註冊申請人的姓名 / 名稱、地址: Voyetra Turtle Beach, Inc.
Applicant(s) ' 44 SOUTH BROADWAY,
Name,Address: WHITE PLAINS, NY 10601,
UNITED STATES OF AMERICA

[740/ 註冊申請人的送達地址: CHINA PATENT AGENT (HONG KONG) LIMITED
750] Applicant's Address for 22/F, Great Eagle Centre,
Service: 23 Harbour Road, Wanchai,
HONG KONG

[511] 類別編號: 9
Class(es) No(s) .:

[511] 貨品 / 服務說明: Class 9:
Specification: Earbuds.

[526] 卸棄: N/A
Disclaimer:

[529] 限制: N/A
Limitation:

[527] 條件: N/A
Condition:

其他: N/A
Others

[220] 提交日期: 18-11-2021
Date of Filing:

[320] 聲稱具有優先權的日期: 25-05-2021
Date of Priority Claimed:

[310] 優先權申請編號: 90/733669
Priority Application Number:

- [340] 聲稱具有優先權 (部分): N/A
Priority Claim Details:
- [330] 優先權申請的
國家、地區、地方:
Country, territory, area of
Priority Applications: UNITED STATES OF AMERICA
-
- [210] 商標申請編號: 305806233
Application No.:
- [540] 商標:
Mark: 
- [550] 商標種類: Ordinary
Mark Type:
- 一系列商標: NO
Series Mark:
- [571] 商標描述: The applicant claims the colours blue and white as elements of the trade mark.
Mark Description:
- [730] 註冊申請人的姓名 / 名稱、地址:
Applicant(s) ' Name,Address: Fin Flow Solutions Limited
Unit F, 11/F, CNT Tower
338, Hennessy Road, Wan Chai,
HONG KONG
- [740/ 註冊申請人的送達地址:
750] Applicant's Address for Service: Centralink Corporate Services Limited
Suite 2214, 22/F., Mira Place Tower A,
No. 132 Nathan Road, Kowloon,
HONG KONG
- [511] 類別編號: 9,35,36,42
Class(es) No(s) .:
- [511] 貨品 / 服務說明:
Specification: Class 9:
computer software platforms, recorded or
downloadable; computer software applications,
downloadable; computer programs, downloadable;
computer software, recorded; computer
programs, recorded; computer operating
programs, recorded.
Class 35:
retail services in relation to computer
software, computer software platforms,
recorded or downloadable, computer software
applications, downloadable, computer programs,
downloadable, computer software, recorded,
computer programs, recorded, computer
operating programs, recorded; sales promotion
for others, in relation to computer software,
computer software platforms, recorded or
downloadable, computer software applications,
downloadable, computer programs, downloadable,
computer software, recorded, computer

programs, recorded, computer operating programs, recorded; procurement services for third parties (purchase and provision of goods in relation to computer software, computer software platforms, recorded or downloadable, computer software applications, downloadable, computer programs, downloadable, computer software, recorded, computer programs, recorded, computer operating programs, recorded).

Class 36:

banking; electronic transfer of virtual currencies; financial exchange of virtual currency; providing financial information; providing financial information via a website; online banking; processing of debit card payments; processing of credit card payments; exchanging money.

Class 42:

providing information relating to computer technology and programming via a website; computer technology consultancy; installation of computer software; consultancy in the design and development of computer hardware; updating of computer software; computer software consultancy; development of computer platforms; maintenance of computer software; computer software design; duplication of computer programs; conversion of computer programs and data, other than physical conversion; computer programming; rental of computer software; platform as a service (PaaS); software as a service (SaaS); software development in the framework of software publishing; user authentication services using single sign-on technology for online software applications; user authentication services using technology for e-commerce transactions.

[526]	卸棄 : Disclaimer:	N/A
[529]	限制 : Limitation:	N/A
[527]	條件 : Condition:	N/A
	其他 : Others	N/A
[220]	提交日期 : Date of Filing:	19-11-2021
[320]	聲稱具有優先權的日期 : Date of Priority Claimed:	09-09-2021
[310]	優先權申請編號 : Priority Application Number:	018465507
[340]	聲稱具有優先權 (部分) : Priority Claim Details:	N/A

[330] 優先權申請的 EUROPEAN UNION
國家、地區、地方：
Country, territory, area of
Priority Applications:

[210] 商標申請編號： 305806242
Application No.:

[540] 商標：
Mark:



[550] 商標種類： Ordinary

Mark Type:

一系列商標： NO

Series Mark:

[571] 商標描述： The applicant claims the colours white and
Mark Description: blue as elements of the trade mark.

[730] 註冊申請人的姓名 / 名稱、地址： Fin Flow Solutions Limited
Applicant(s) ' Unit F, 11/F, CNT Tower
Name, Address: 338, Hennessy Road, Wan Chai,
HONG KONG

[740/ 註冊申請人的送達地址： Centralink Corporate Services Limited
750] Applicant's Address for Suite 2214, 22/F., Mira Place Tower A,
Service: No. 132 Nathan Road, Kowloon,
HONG KONG

[511] 類別編號： 9,35,36,42

Class(es) No(s) .:

[511] 貨品 / 服務說明： Class 9:
Specification: computer software platforms, recorded or
downloadable; computer software applications,
downloadable; computer programs, downloadable;
computer software, recorded; computer
programs, recorded; computer operating
programs, recorded.
Class 35:
retail services in relation to computer
software, computer software platforms,
recorded or downloadable, computer software
applications, downloadable, computer programs,
downloadable, computer software, recorded,
computer programs, recorded, computer
operating programs, recorded; sales promotion
for others, in relation to computer software,
computer software platforms, recorded or
downloadable, computer software applications,
downloadable, computer programs, downloadable,
computer software, recorded, computer
programs, recorded, computer operating

programs, recorded; procurement services for third parties (purchase and provision of goods in relation to computer software, computer software platforms, recorded or downloadable, computer software applications, downloadable, computer programs, downloadable, computer software, recorded, computer programs, recorded, computer operating programs, recorded).

Class 36:

banking; electronic transfer of virtual currencies; financial exchange of virtual currency; providing financial information; providing financial information via a website; online banking; processing of debit card payments; processing of credit card payments; exchanging money.

Class 42:

providing information relating to computer technology and programming via a website; computer technology consultancy; installation of computer software; consultancy in the design and development of computer hardware; updating of computer software; computer software consultancy; development of computer platforms; maintenance of computer software; computer software design; duplication of computer programs; conversion of computer programs and data, other than physical conversion; computer programming; rental of computer software; platform as a service (PaaS); software as a service (SaaS); software development in the framework of software publishing; user authentication services using single sign-on technology for online software applications; user authentication services using technology for e-commerce transactions.

[526]	卸棄 :	N/A
	Disclaimer:	
[529]	限制 :	N/A
	Limitation:	
[527]	條件 :	N/A
	Condition:	
	其他 :	N/A
	Others	
[220]	提交日期 :	19-11-2021
	Date of Filing:	
[320]	聲稱具有優先權的日期 :	09-09-2021
	Date of Priority Claimed:	
[310]	優先權申請編號 :	018465513
	Priority Application Number:	
[340]	聲稱具有優先權 (部分) :	N/A
	Priority Claim Details:	
[330]	優先權申請的	EUROPEAN UNION

國家、地區、地方：

Country, territory, area of
Priority Applications:

[210] 商標申請編號： 305806251
Application No.:

[540] 商標：
Mark:



[550] 商標種類： 一般商標
Mark Type:

一系列商標： 否
Series Mark:

[571] 商標描述： 不適用
Mark Description:

[730] 註冊申請人的姓名 / 名稱、地址： TO-B TECHNOLOGY CORPORATION LIMITED
Applicant(s) ' 香港
Name,Address: 九龍旺角花園街 75-77 號

[740/ 註冊申請人的送達地址： 香港金橋商務諮詢有限公司
750] Applicant's Address for 香港
Service: 九龍旺角花園街 75-77 號

花園商業大廈 6 樓 605 室
9

[511] 類別編號： 9
Class(es) No(s) .:

[511] 貨品 / 服務說明： 類別 9：
Specification: 鼠標（計算機外圍設備），鼠標器套，計算機用無線鼠標，計
算機鍵盤，頭戴式耳機，耳機，揚聲器音箱，連接器（數據處
理設備），計算機外圍設備，計算機硬件。

[526] 卸棄： 不適用
Disclaimer:

[529] 限制： 不適用
Limitation:

[527] 條件： 不適用
Condition:

其他： 不適用
Others

[220] 提交日期： 19-11-2021
Date of Filing:

[320] 聲稱具有優先權的日期： 不適用

Date of Priority Claimed:

- [310] 優先權申請編號: 不適用
Priority Application Number:
- [340] 聲稱具有優先權 (部分): 不適用
Priority Claim Details:
- [330] 優先權申請的 不適用
國家、地區、地方:
Country, territory, area of
Priority Applications:

[210] 商標申請編號: 305806972
Application No.:

[540] 商標: A 超偵探事件簿 霧雨謎宮
Mark: B 超偵探事件簿 霧雨謎宮

[550] 商標種類: Ordinary
Mark Type:
一系列商標: YES
Series Mark:

[571] 商標描述: N/A
Mark Description:

[730] 註冊申請人的姓名 / 名稱、地址: Spike Chunsoft Co., Ltd.
Applicant(s) ' 17-7, Akasaka 2-chome
Name, Address: Minato-ku, Tokyo,
JAPAN

[740/ 註冊申請人的送達地址: K&L GATES
750] Applicant's Address for 44/F, Edinburgh Tower, The Landmark,
Service: 15 Queen's Road Central,
HONG KONG

[511] 類別編號: 9, 41
Class(es) No(s) .:

[511] 貨品 / 服務說明: Class 9:
Specification: Consumer video game programs; Consumer video
game software; Electronic circuits, magnetic
discs, magnetic tapes, magnetic cards, optical
discs, memory cards and other recording media
recorded with consumer video game programs;
Game programs for hand-held games with liquid
crystal displays; Game software for hand-held
games with liquid crystal displays; Electronic
circuits, magnetic discs, magnetic tapes,
magnetic cards, optical discs, memory cards
and other recording media recorded with game
programs for hand-held games with liquid
crystal displays; Game programs for arcade
video game machines; Game software for arcade
video game machines; Electronic circuits,
magnetic discs, magnetic tapes, magnetic

cards, optical discs, memory cards and other recording media recorded with game programs for arcade video game machines; Game programs for mobile telephones; Game programs for smartphones; Electronic circuits, magnetic discs, magnetic tapes, magnetic cards, optical discs, memory cards and other recording media recorded with game programs for smartphones; Computer games programs; Computer software; Computer game software; Downloadable computer game programs or computer programs; Downloadable music or sounds; Downloadable video or images; Downloadable animated films and animated cartoons; Downloadable electronic comics; Electronic publications; Recorded audio compact discs; Phonograph records; Electronic circuits, magnetic discs, magnetic tapes, magnetic cards, optical discs, memory cards and other recording media recorded with sound data, ring tones and music; Prerecorded electronic circuits, magnetic discs, magnetic tapes, magnetic cards, optical discs, memory cards and other recording media; Electronic circuits, magnetic discs, magnetic tapes, magnetic cards, optical discs, memory cards and other recording media recorded with animation; Exposed cinematographic films featuring animated films; Cases for smartphones and mobile phones; Covers for smartphones and mobile phones; Holders for smartphones; Cell phone straps; Mouse pads; Blank flash memory cards; Cases for memory cards; Cases for CDs; Computer keyboards; Computer joysticks; Headphones; Loudspeakers; Decorative magnets.

Class 41:

Online game services and providing information relating thereto; Online game services for hand-held games with liquid crystal displays and consumer video game machines and providing information relating thereto; Providing amusement facilities; Organization, arranging and conducting of game competitions; Organization, arranging and conducting of game events; Providing images, videos, music and sounds via communication networks and providing information relating thereto; Providing images related to characters in books, animated cartoons, toys and games and providing information relating thereto; Provision of animated cartoons and films via the Internet; Providing non-downloadable electronic comics and electronic books; Providing non-downloadable electronic publications in the nature of comics; Providing information relating to the

provision of animated cartoons; Production, presentation or distribution of animated films and providing information relating thereto; Arranging and planning of movies, shows, plays or musical performances; Production of television programs; radio entertainment production.

- [526] 卸棄 : N/A
Disclaimer:
- [529] 限制 : N/A
Limitation:
- [527] 條件 : N/A
Condition:
其他 : N/A
Others
- [220] 提交日期 : 19-11-2021
Date of Filing:
- [320] 聲稱具有優先權的日期 : N/A
Date of Priority Claimed:
- [310] 優先權申請編號 : N/A
Priority Application Number:
- [340] 聲稱具有優先權 (部分) : N/A
Priority Claim Details:
- [330] 優先權申請的
國家、地區、地方 : N/A
Country, territory, area of
Priority Applications:

-
-
- [210] 商標申請編號 : 305806990
Application No.:
- [540] 商標 :
Mark:

agete

- [550] 商標種類 : Ordinary
Mark Type:
一系列商標 : NO
Series Mark:
- [571] 商標描述 : N/A
Mark Description:
- [730] 註冊申請人的姓名 / 名稱、地址 : Kabushiki Kaisha SAZABY LEAGUE (SAZABY LEAGUE,
Applicant (s) ' Ltd.)
Name, Address: No. 49-13, Motoyoyogi-cho,
Shibuya-ku, Tokyo,
JAPAN

[740/ 註冊申請人的送達地址 : SPRUSON & FERGUSON (HONG KONG) LIMITED
750] Applicant's Address for 5001 Hopewell Centre
Service: 183 Queen's Road East, Wan Chai
HONG KONG

[511] 類別編號 : 8,9,14,16,18,21,24,25,35
Class(es) No(s) .:

[511] 貨品 / 服務說明 : Class 9:
Specification: Ear plugs for divers; calculating machines;
cameras [photography]; measuring spoons;
scales; temperature indicators; solar
batteries; portable media players; portable
telephones; disks, magnetic; electronic
agendas; computers; mouse pads; hourglasses;
eyeglasses; sunglasses; compact discs [audio-
video]; downloadable image files; phonograph
records; electronic publications,
downloadable; scientific, nautical, surveying,
photographic, cinematographic, optical,
weighing, measuring, signalling, checking
(supervision), life-saving and teaching
apparatus and instruments; apparatus and
instruments for conducting, switching,
transforming, accumulating, regulating or
controlling electricity; apparatus for
recording, transmission or reproduction of
sound or images; magnetic data carriers,
recording discs; mechanisms for coin-operated
apparatus; cash registers, data processing
equipment; fire-extinguishing apparatus;
spectacle glasses; spectacles (optics);
spectacle cases; spectacle frames; electrical
communication apparatus and instruments for
cell phones.

[526] 卸棄 : N/A
Disclaimer:

[529] 限制 : N/A
Limitation:

[527] 條件 : N/A
Condition:
其他 : N/A
Others

[220] 提交日期 : 19-11-2021
Date of Filing:

[320] 聲稱具有優先權的日期 : N/A
Date of Priority Claimed:

[310] 優先權申請編號 : N/A
Priority Application Number:

[340] 聲稱具有優先權 (部分) : N/A
Priority Claim Details:

[330] 優先權申請的 N/A
國家、地區、地方 :
Country, territory, area of
Priority Applications:

[210] 商標申請編號 : 305807610

Application No.:

[540] 商標 :

Mark:



[550] 商標種類 : 一般商標

Mark Type:

一系列商標 :

否

Series Mark:

[571] 商標描述 : 不適用

Mark Description:

[730] 註冊申請人的姓名 / 名稱、地址 :

北京與光科技有限公司 (Beijing Seetrum Technology

Applicant(s) '

Co., Ltd.)

Name, Address:

中國

北京市海淀區

王莊路 1 號院清華同方科技大廈 D 座 22 層 2211-6 號

[740/ 註冊申請人的送達地址 :

百睿知識產權有限公司

750] Applicant's Address for

香港

Service:

新界沙田香港科學園

科技大道西 10 號浚湖樓 617 室

[511] 類別編號 :

9

Class(es) No(s) .:

[511] 貨品 / 服務說明 :

類別 9:

Specification:

光學器械和儀器; 探測器; 氣體檢測儀; 精密測量儀器; 科學用探測器; 攝譜儀; 光學鏡頭; 半導體; 芯片 (集成電路); 半導體器件; 生物芯片傳感器; 製集成電路用電子芯片; 照度計; 光頻計量裝置; X 射線熒光光譜儀分析器

[526] 卸棄 :

不適用

Disclaimer:

[529] 限制 :

不適用

Limitation:

[527] 條件 :

不適用

Condition:

其他 : Others	不適用
[220] 提交日期 : Date of Filing:	19-11-2021
[320] 聲稱具有優先權的日期 : Date of Priority Claimed:	不適用
[310] 優先權申請編號 : Priority Application Number:	不適用
[340] 聲稱具有優先權 (部分) : Priority Claim Details:	不適用
[330] 優先權申請的 國家、地區、地方 : Country, territory, area of Priority Applications:	不適用
<hr/>	
[210] 商標申請編號 : Application No.:	305807700
[540] 商標 : Mark:	SHAREPOINT SYNTAX
[550] 商標種類 : Mark Type:	Ordinary
一系列商標 : Series Mark:	NO
[571] 商標描述 : Mark Description:	N/A
[730] 註冊申請人的姓名 / 名稱、地址 : Applicant(s) ' Name,Address:	MICROSOFT CORPORATION ONE MICROSOFT WAY, REDMOND, WASHINGTON 98052-6399, UNITED STATES OF AMERICA
[740/ 註冊申請人的送達地址 : 750] Applicant's Address for Service:	BAKER & MCKENZIE 14TH FLOOR, ONE TAIKOO PLACE, 979 KING'S ROAD, QUARRY BAY, HONG KONG
[511] 類別編號 : Class(es) No(s) .:	9, 42
[511] 貨品 / 服務說明 : Specification:	Class 9: Software. Class 42: Software as a service.
[526] 卸棄 : Disclaimer:	N/A
[529] 限制 : Limitation:	N/A
[527] 條件 : Condition:	N/A

其他 : N/A
Others
[220] 提交日期 : 22-11-2021
Date of Filing:
[320] 聲稱具有優先權的日期 : N/A
Date of Priority Claimed:
[310] 優先權申請編號 : N/A
Priority Application Number:
[340] 聲稱具有優先權 (部分) : N/A
Priority Claim Details:
[330] 優先權申請的
國家、地區、地方 : N/A
Country, territory, area of
Priority Applications:

[210] 商標申請編號 : 305807836
Application No.:
[540] 商標 :
Mark:



Benefits You

[550] 商標種類 : Ordinary
Mark Type:
一系列商標 : NO
Series Mark:
[571] 商標描述 : The applicant claims the colours blue, pink
Mark Description: and light blue as elements of the trade mark.
[730] 註冊申請人的姓名 / 名稱、地址 : Mercer (US) Inc.
Applicant(s) ' 1166 Avenue of the Americas,
Name,Address: New York, New York 10036,
UNITED STATES OF AMERICA
[740/ 註冊申請人的送達地址 : NTD PATENT & TRADE MARK AGENCY LIMITED
750] Applicant's Address for Units 1805-6, 18/F., Greenfield Tower,
Service: Concordia Plaza,
No. 1 Science Museum Road, Tsimshatsui East,
Kowloon,
HONG KONG

[511] 類別編號 :	9, 42
Class(es) No(s) .:	
[511] 貨品 / 服務說明 :	Class 9:
Specification:	Downloadable mobile software and applications that allow users to manage, view, and analyze insurance benefits data, and contract and communicate with employees regarding health and insurance benefits; downloadable software and mobile applications that provide information related to insurance.
	Class 42:
	Software as a service (SaaS) that provides non-downloadable online software that enables users to manage, view, and analyze insurance benefits data, and contract and communicate with employees regarding health and insurance benefits; software as a service (SaaS) that provides non-downloadable software online that provides information related to insurance.
[526] 卸棄 :	N/A
Disclaimer:	
[529] 限制 :	N/A
Limitation:	
[527] 條件 :	N/A
Condition:	
其他 :	N/A
Others	
[220] 提交日期 :	22-11-2021
Date of Filing:	
[320] 聲稱具有優先權的日期 :	N/A
Date of Priority Claimed:	
[310] 優先權申請編號 :	N/A
Priority Application Number:	
[340] 聲稱具有優先權 (部分) :	N/A
Priority Claim Details:	
[330] 優先權申請的	N/A
國家、地區、地方 :	
Country, territory, area of	
Priority Applications:	

[210] 商標申請編號 :	305809249
Application No.:	
[540] 商標 :	
Mark:	

赛特斯

- [550] 商標種類: 一般商標
Mark Type:
一系列商標: 否
Series Mark:
- [571] 商標描述: 不適用
Mark Description:
- [730] 註冊申請人的姓名 / 名稱、地址: 賽特斯信息科技股份有限公司
Applicant(s) ' 中國
Name, Address: 南京市玄武區
玄武大道 699-22 號 18 幢賽特斯大樓
- [740/ 註冊申請人的送達地址: 香港凱旋知識產權代理有限公司
750] Applicant's Address for 香港
Service: 九龍旺角煙廠街 9 號
興發商業大廈 7 樓 703 室
- [511] 類別編號: 9
Class(es) No(s) .:
- [511] 貨品 / 服務說明: 類別 9:
Specification: 計算機軟件 (已錄製), 計算機外圍設備, 監視程序 (計算機程序), 連接器 (數據處理設備), 已錄製的計算機程序 (程序), 數據處理設備, 網絡通訊設備, 電子監控裝置, 測量器械和儀器, 集成電路; 全部屬於第 9 類。
- [526] 卸棄: 不適用
Disclaimer:
- [529] 限制: 不適用
Limitation:
- [527] 條件: 不適用
Condition:
其他: 不適用
Others
- [220] 提交日期: 22-11-2021
Date of Filing:
- [320] 聲稱具有優先權的日期: 不適用
Date of Priority Claimed:
- [310] 優先權申請編號: 不適用
Priority Application Number:
- [340] 聲稱具有優先權 (部分): 不適用
Priority Claim Details:
- [330] 優先權申請的 不適用
國家、地區、地方:
Country, territory, area of
Priority Applications:
-
-

- [210] 商標申請編號: 305809645
Application No.:

- [540] 商標 :
Mark:
- A 
- B 
- C 
- [550] 商標種類 : Ordinary
Mark Type:
一系列商標 : YES
Series Mark:
- [571] 商標描述 : The applicant claims the colour light pink as an element of mark "A" in the series, and colours black and white as elements of mark "B" and mark "C" in the series.
Mark Description:
- [730] 註冊申請人的姓名 / 名稱、地址 : CRUMBS Limited
Applicant(s) ' 703, 7/F, TOWER 1, THE QUAYSIDE
Name,Address: 77 HOI BUN ROAD, KWUN TONG KOWLOON, HONG KONG
- [740/ 註冊申請人的送達地址 : CRUMBS Limited
750] Applicant's Address for 703, 7/F, TOWER 1, THE QUAYSIDE
Service: 77 HOI BUN RD., KWUN TONG, KOWLOON HONG KONG
- [511] 類別編號 : 9,36
Class(es) No(s) .:
- [511] 貨品 / 服務說明 : Class 9:
Specification: Computer software and programs.
Class 36:
Financial services. Investment services.
Trading of securities.
- [526] 卸棄 : N/A
Disclaimer:
- [529] 限制 : N/A
Limitation:
- [527] 條件 : N/A
Condition:
其他 : N/A
Others
- [220] 提交日期 : 23-11-2021
Date of Filing:
- [320] 聲稱具有優先權的日期 : N/A
Date of Priority Claimed:
- [310] 優先權申請編號 : N/A
Priority Application Number:
- [340] 聲稱具有優先權 (部分) : N/A
Priority Claim Details:
- [330] 優先權申請的
國家、地區、地方 : N/A

Country, territory, area of
Priority Applications:

[210] 商標申請編號 : 305809672
Application No.:

[540] 商標 : A
Mark:



B



C



- [550] 商標種類 : Ordinary
 Mark Type:
 一系列商標 : YES
 Series Mark:
- [571] 商標描述 : N/A
 Mark Description:
- [730] 註冊申請人的姓名 / 名稱、地址 : Pixlr Pte. Ltd.
 Applicant(s) ' #19-08 Prudential Tower
 Name,Address: 30 Cecil Street
 SINGAPORE
- [740/ 註冊申請人的送達地址 : CHANG TSI AND PARTNERS INTELLECTUAL PROPERTY
 750] Applicant's Address for (HK) LIMITED
 Service: LEVEL 19 TWO INT'L FINANCE CTR
 8 FINANCE ST CENTRAL
 HONG KONG
- [511] 類別編號 : 9,42
 Class(es) No(s) .:
- [511] 貨品 / 服務說明 : Class 9:
 Specification: Downloadable software in the nature of a mobile application that enables users to manage the creating, viewing, editing and sharing of images and related digital content; downloadable software in the nature of a mobile application for use in creating, viewing, editing and sharing of images and related digital content; downloadable images; downloadable image files; downloadable templates for designing audiovisual presentations; downloadable computer graphics; computer software; computer software applications, downloadable; downloadable applications for use with mobile devices
 Class 42:
 Hosting a website featuring technology that enables users to manage the creating, viewing, editing and sharing of images and related digital content; providing temporary use of non-downloadable software for use in creating, viewing, editing and sharing of images and related digital content; provision of online

non-downloadable software [application service provider]; software as a service [saas]; providing temporary use of non-downloadable software applications accessible via a web site; providing temporary use of on-line non-downloadable operating software for accessing and using a cloud computing network; graphic design services; design consultancy; website design consultancy

- [526] 卸棄 : N/A
Disclaimer:
- [529] 限制 : N/A
Limitation:
- [527] 條件 : N/A
Condition:
其他 : N/A
Others
- [220] 提交日期 : 23-11-2021
Date of Filing:
- [320] 聲稱具有優先權的日期 : N/A
Date of Priority Claimed:
- [310] 優先權申請編號 : N/A
Priority Application Number:
- [340] 聲稱具有優先權 (部分) : N/A
Priority Claim Details:
- [330] 優先權申請的
國家、地區、地方 : N/A
Country, territory, area of
Priority Applications:

-
- [210] 商標申請編號 : 305809906
Application No.:

- [540] 商標 :
Mark:

FAMO

- [550] 商標種類 : 一般商標
Mark Type:
一系列商標 : 否
Series Mark:

- [571] 商標描述 : 不適用
Mark Description:

- [730] 註冊申請人的姓名 / 名稱、地址 : 相輿科技 (上海) 有限公司
Applicant (s) ' 中國
Name, Address: 上海市嘉定區
南翔鎮銀翔路 515 號 1208 室

- [740/ 註冊申請人的送達地址 : 標準香港企業註冊服務有限公司
750] Applicant's Address for 香港
Service: 九龍旺角彌敦道 678 號
華僑商業中心 15C
- [511] 類別編號 : 9
Class(es) No(s) .:
- [511] 貨品 / 服務說明 : 類別 9:
Specification: 環繞揚聲器 ; 帶內置放大器的揚聲器 ; 揚聲器箱 ; 音頻視頻接收器 ; 電信電纜 ; 電訊電纜 ; 電源電纜 ; 插線板 ; 電插座 ; 電纜連接器 ; 電源開關 ; 電源控制器 ; 多頭插線板 ; 配電模塊 ; 電器接插件 ; 電源插頭轉換器 ; 配電設備 ; 轉接插頭 ; 安全觸點插頭 ; 電接線板 ; 電連接器 ; 電源插座 ; 電源連接器 ; 電源適配器 ; 端接器 (電) ; 移動式插座。
- [526] 卸棄 : 不適用
Disclaimer:
- [529] 限制 : 不適用
Limitation:
- [527] 條件 : 不適用
Condition:
其他 : 不適用
Others
- [220] 提交日期 : 23-11-2021
Date of Filing:
- [320] 聲稱具有優先權的日期 : 不適用
Date of Priority Claimed:
- [310] 優先權申請編號 : 不適用
Priority Application Number:
- [340] 聲稱具有優先權 (部分) : 不適用
Priority Claim Details:
- [330] 優先權申請的 不適用
國家、地區、地方 :
Country, territory, area of
Priority Applications:
-
- [210] 商標申請編號 : 305810445
Application No.:

[540] 商標：
Mark:



- [550] 商標種類：一般商標
Mark Type:
一系列商標：否
Series Mark:
- [571] 商標描述：不適用
Mark Description:
- [730] 註冊申請人的姓名 / 名稱、地址：
Applicant(s) ' Name,Address: 上海笑果文化傳媒有限公司
中國
上海市奉賢區
民樂路 88 號 1 幢 3088 室
- [740/ 註冊申請人的送達地址：
750] Applicant's Address for Service: 何耀棟律師事務所
香港
中環康樂廣場一號
怡和大廈五樓
- [511] 類別編號：9, 16, 35, 38, 41, 42
Class(es) No(s) .:
- [511] 貨品 / 服務說明：
Specification: 類別 9:
動畫片；電影；平板電腦；便攜式媒體播放器；計算機軟件（已錄製）；光盤；電子出版物（可下載）；計算機程序（可下載軟件）；計算機遊戲軟件；可下載的手機鈴音；可下載的音樂文件；可下載的影像文件；可下載的計算機應用軟件；電子商務應用軟體。
類別 16:
紙；書籤；啤酒杯墊；紙巾；名片；小冊子；日曆；海報；歌曲集；書籍；地圖；印刷出版物；平版印刷工藝品；連環漫畫書；教學材料（儀器除外）；報紙；期刊；雜誌（期刊）；小冊子（手冊）；文件夾（辦公用品）；圖畫；文具；書寫工具；繪畫材料；建築模型。
類別 35:
廣告；計算機網絡上的在線廣告；廣告策劃；廣告代理；廣告版面設計；廣告片製作；組織商業或廣告展覽；為客戶建立傳媒關係；為店鋪提供廣告形象顧問；為廣告或推銷提供模特服務；演員的商業管理；企業形象策劃；公關活動策劃、模特演出經紀；表演藝術家經紀；為商品和服務的買賣雙方提供在線市場；市場營銷服務；提供社會媒體領域的市場營銷諮詢；市場營銷研究；替他人推銷；可下載和預錄音樂和電影的在線零售服務；為零售目的在通訊媒體上展示商品；企業形象發展諮

詢；商業信息；與上述服務有關的諮詢（顧問）及信息服務。

類別 38：

網絡廣播服務；有綫廣播服務；信息和其他節目的無線電廣播；付費電視節目播放；電視節目播放；信息傳送；遠程會議服務；提供互聯網聊天室；提供在線論壇；在全球通信網絡、互聯網和無線網絡上同步播放電視；通過互聯網播放節目；提供與全球計算機網絡的電訊聯接服務；電話會議服務；為電話購物提供電訊渠道；語音郵件服務；在線賀卡傳送；視頻點播傳輸；數字文件傳送；視頻會議服務；與上述服務有關的諮詢（顧問）及信息服務。

類別 41：

製作、組織、舉辦有關文化藝術，康樂體育，選美，電影戲劇，樂器，音樂，舞蹈的比賽和節目；安排和組織會議；教育；培訓；書籍出版；文字出版（廣告宣傳材料除外）；廣播和電視節目製作；音樂製作；演出製作；電影攝影棚服務；電影放映；電影製作及發行；電視文娛節目；演出；為藝術家提供模特服務；舞台之音響及燈光設備出租；舞台道具佈景租賃；表演場景出租；為娛樂目的組織時裝表演；安排和組織音樂會；組織表演（演出）；劇本編寫；攝影；綜藝表演；俱樂部服務（娛樂或教育）；在計算機網絡上提供在線遊戲；音樂主持服務；娛樂服務；娛樂諮詢；現場表演；配音；在線電子書籍和雜誌的出版；提供在線電子出版物（非下載）；提供在線音樂（非下載）；歌曲創作；劇本編寫；提供在線錄像（非下載）；組織教育或娛樂競賽；組織文化活動；策劃各種聯誼活動；通過視頻點播服務提供不可下載的電視節目；與上述服務有關的諮詢（顧問）及信息服務。

類別 42：

技術研究；創建、設計和維護網站；多媒體產品的設計和開發；圖像藝術、平面及多媒體藝術設計；動畫、動漫、視頻遊戲圖形設計；電腦圖文設計製作；包裝設計服務；娛樂場所建築規劃設計；服裝設計；計算機軟件設計；把有形的數據或文件轉換成電子媒體；平面美術設計；平臺即服務（PaaS）；軟件即服務（SaaS）；通過技術手段為電子商務交易進行用戶認證服務；電子數據存儲；與上述服務有關的諮詢（顧問）及信息服務。

[526] 卸棄：	不適用
Disclaimer:	
[529] 限制：	不適用
Limitation:	
[527] 條件：	不適用
Condition:	
其他：	不適用
Others	
[220] 提交日期：	23-11-2021
Date of Filing:	
[320] 聲稱具有優先權的日期：	不適用
Date of Priority Claimed:	
[310] 優先權申請編號：	不適用
Priority Application Number:	

[340] 聲稱具有優先權 (部分): 不適用
Priority Claim Details:

[330] 優先權申請的 不適用
國家、地區、地方:
Country, territory, area of
Priority Applications:

[210] 商標申請編號: 305810977
Application No.:

[540] 商標:
Mark:

FOMOMY

[550] 商標種類: Ordinary
Mark Type:
一系列商標: NO
Series Mark:

[571] 商標描述: N/A
Mark Description:

[730] 註冊申請人的姓名 / 名稱、地址: Aeta Co., Ltd
Applicant(s) ' Bunkyo Park Height Building-301,
Name,Address: Koishikawa5-31-6, Bunkyo City, Tokyo
JAPAN


[740/ 註冊申請人的送達地址: NAVSTAR INTERNATIONAL COMMERCE LIMITED
750] Applicant's Address for Rm 1508, 15/F., Office Tower Two, Grand Plaza
Service: 625 Nathan Road, Kowloon
HONG KONG

[511] 類別編號: 9
Class(es) No(s) .:

[511] 貨品 / 服務說明: Class 9:
Specification: Eyepieces; objectives [lenses] [optics];
spectacles; spectacle lenses; spectacle
frames; contact lenses; containers for contact
lenses; spectacle cases; corrective glasses
and spectacles; sunglasses

[526] 卸棄: N/A
Disclaimer:

[529] 限制 : Limitation:	N/A
[527] 條件 : Condition:	N/A
其他 : Others	N/A
[220] 提交日期 : Date of Filing:	24-11-2021
[320] 聲稱具有優先權的日期 : Date of Priority Claimed:	N/A
[310] 優先權申請編號 : Priority Application Number:	N/A
[340] 聲稱具有優先權 (部分) : Priority Claim Details:	N/A
[330] 優先權申請的 國家、地區、地方 : Country, territory, area of Priority Applications:	N/A

[210] 商標申請編號 : Application No.:	305811499
[540] 商標 : Mark:	
[550] 商標種類 : Mark Type:	Ordinary
一系列商標 : Series Mark:	NO
[571] 商標描述 : Mark Description:	N/A
[730] 註冊申請人的姓名 / 名稱、地址 : Applicant(s) ' Name,Address:	iBS Research Limited Room 703-704, 7/F No. 9 Chong Yip Street, Kwun Tong HONG KONG
[740/ 註冊申請人的送達地址 : 750] Applicant's Address for Service:	RIGHT IP LIMITED 2002 Jupiter Tower 9 Jupiter Street HONG KONG
[511] 類別編號 : Class(es) No(s) .:	9,35,42
[511] 貨品 / 服務說明 : Specification:	Class 9: Application programming interface (API) software that enables developers to build software applications for use in the retail and e-commerce industry; computer software for

trading; point-of-sale terminal and computers; software for accounting; software for use in e-commerce and the retail industry to allow users to perform business management via a global computer network, namely, database management, sales and customer tracking and inventory management; software for use in e-commerce and the retail industry, namely, software for point of sale transactions.

Class 35:

Business administration in the field of electronic commerce; business management in the field of electronic commerce; compilation and management of business information relating to electronic commerce; marketing and advertising consultation; office functions; online retail services; online retail store services featuring computer software for use in the retail and e-commerce industry; online supermarkets; provision of an on-line marketplace for buyers and sellers of goods and services; sales promotion for others.

Class 42:

Computer and software rental services; computer hardware and software design and development; computer services provided on-line; computer software application hosting services; design, creation, hosting and maintenance of internet sites for third parties; Software as a Service (SAAS) featuring software for use in database management relating to sales and customer; Software as a Service (SAAS) featuring software for use in e-commerce and the retail industry; software maintenance and updating; software programming services; the provision of online non-downloadable software for hosting and managing e-commerce stores.

[526]	卸棄 : Disclaimer:	N/A
[529]	限制 : Limitation:	N/A
[527]	條件 : Condition:	N/A
	其他 : Others	N/A
[220]	提交日期 : Date of Filing:	26-11-2021
[320]	聲稱具有優先權的日期 : Date of Priority Claimed:	N/A
[310]	優先權申請編號 : Priority Application Number:	N/A
[340]	聲稱具有優先權 (部分) : Priority Claim Details:	N/A

[330] 優先權申請的 N/A
國家、地區、地方：
Country, territory, area of
Priority Applications:

[210] 商標申請編號： 305811507
Application No.:

[540] 商標： **IMDB IS OBSESSED**
Mark:

[550] 商標種類： Ordinary

Mark Type:

一系列商標： NO

Series Mark:

[571] 商標描述： N/A

Mark Description:

[730] 註冊申請人的姓名 / 名稱、地址：

Applicant(s)'

Name,Address:

IMDb.com, Inc.

410 Terry Avenue North,

Seattle, Washington 98109,

UNITED STATES OF AMERICA

[740/ 註冊申請人的送達地址：

750] Applicant's Address for

Service:

Rouse & Co. International (Overseas) Limited

26/F., Tesbury Centre,

28 Queen's Road East

HONG KONG

[511] 類別編號：

Class(es) No(s).:

9,38,41

[511] 貨品 / 服務說明：

Specification:

Class 9:

Downloadable podcasts featuring commentary, stories, news, interviews, television shows, films, and pop culture; downloadable audio recordings featuring commentary, stories, news, interviews, television shows, films, and pop culture; downloadable sound recordings featuring commentary, stories, news, interviews, television shows, films, and pop culture; downloadable video recordings featuring commentary, stories, news, interviews, television shows, films, and pop culture; downloadable video recordings featuring pop culture, television shows, films, and celebrity stories on a variety of topics; downloadable video recordings featuring pop culture, films, television shows, and celebrity stories on a variety of topics; downloadable video recordings and multimedia content featuring pop culture, films, television shows, and celebrity personalities discussing entertainment-related

topics; downloadable audiovisual and multimedia content, namely, video recordings in the nature of television shows featuring pop culture, films, television shows, and celebrity personalities discussing entertainment-related topics; visual performances recorded on computer media.

Class 38:

Communication services, namely, transmitting, receiving, streaming, broadcasting and transferring text, images, graphics, audio, video, data, webcasts and podcasts via telecommunication networks; transmission of text, images, graphics, audio, video, data, webcast and podcast tethered downloads via telecommunication networks; transmission of podcasts; streaming of audio, visual, and audiovisual information in the field of entertainment via a global computer network; telecommunication services, namely, transmission and streaming of voice, data, images, films, television programs, audio and audiovisual programs and other digital media content and information by means of telecommunications networks, wireless communication networks, and the Internet; Internet, television, audio and video broadcasting services; telecommunication access to television programs, audio and audiovisual programs and other digital media content and information.

Class 41:

Educational and entertainment services, namely, providing podcasts featuring commentary, stories, news, interviews, television shows, films, and pop culture; educational and entertainment services, namely, production and distribution of television programs and other audiovisual works featuring commentary, stories, news, interviews, television shows, films, and pop culture; provision of non-downloadable television shows and other audiovisual works via a video-on-demand service; distribution and rental of entertainment content, namely, television programs and other audiovisual works in the form of digital non-downloadable videos featuring pop culture, television shows, films, and celebrity stories on a variety of topics distributed via direct digital transmission viewable over computer networks and global communication networks; television entertainment, namely, ongoing television programs featuring pop culture, television shows, films, and celebrity stories on a variety of topics; providing a website

featuring non-downloadable audio, video, and audiovisual content in the nature of recordings featuring pop culture, television shows, films, and celebrity stories on a variety of topics; entertainment services, namely, visual and audio performances, musical, variety, news, dramatic and comedy shows rendered live; production of podcasts.

- [526] 卸棄 : N/A
Disclaimer:
- [529] 限制 : N/A
Limitation:
- [527] 條件 : N/A
Condition:
其他 : N/A
Others
- [220] 提交日期 : 24-11-2021
Date of Filing:
- [320] 聲稱具有優先權的日期 : 21-10-2021
Date of Priority Claimed:
- [310] 優先權申請編號 : 97086540
Priority Application Number:
- [340] 聲稱具有優先權 (部分) : N/A
Priority Claim Details:
- [330] 優先權申請的
國家、地區、地方 : UNITED STATES OF AMERICA
Country, territory, area of
Priority Applications:
-
-

- [210] 商標申請編號 : 305814324
Application No.:

- [540] 商標 :
Mark:



- [550] 商標種類 : Ordinary
Mark Type:

一系列商標 : NO
Series Mark:
[571] 商標描述 : N/A
Mark Description:
[730] 註冊申請人的姓名 / 名稱、地址 : Shanghai Rongchang Information Technology Co.,
Applicant(s) ' Limited (上海溶暢信息科技有限公司)
Name,Address: Room 11, Floor 2, Building 23, Block A,
196 Ouyang Road, Hongkou District, Shanghai
CHINA
[740/ 註冊申請人的送達地址 : HONG KONG VICTORY INTELLECTUAL PROPERTY AGENT
750] Applicant's Address for CO., LIMITED
Service: RM 703,7/F PROSPER COMM BLDG,
9 YIN CHONG ST, MONGKOK, KLN,
HONG KONG
[511] 類別編號 : 9,41
Class(es) No(s) .:
[511] 貨品 / 服務說明 : Class 9:
Specification: Downloadable electronic game software for use
on mobile and cellular phones; Downloadable
electronic game software for handheld
electronic devices; Downloadable electronic
game software for use on handheld computers;
Downloadable computer game software for use on
mobile and cellular phones; Computer game
programmes downloadable via the Internet;
Downloadable computer game software via a
global computer network and wireless devices;
Computer game software downloadable from a
global computer network; Downloadable computer
game programs; Recorded computer game
programs; Downloadable computer game software;
Recorded computer game software; Downloadable
interactive multimedia computer game programs;
Mouse pads [computer peripheral]; Musical
sound recordings; Magic lanterns; Video disks
with recorded animated cartoons.
Class 41:
Entertainment services, namely, providing an
on-line computer game; Entertainment services,
namely, providing online video games;
Providing on-line computer games; Virtual
reality game services provided on-line from a
computer network; Fan club; Providing on-line
videos featuring computer games, not
downloadable; Providing information, news and
commentary in the field of entertainment;
Organization of electronic game competitions;
Online electronic publishing of books and
periodicals; Production of radio and
television programmes; Publication of books;
Providing online non-downloadable electronic
publications in the nature of books, magazines
and brochures in the field of online games;
Organizing, arranging, and conducting online
game events; Entertainment and educational

services in the nature of competitions in the field of entertainment, education, culture, sports, and other non-business and non-commercial fields.

- [526] 卸棄: N/A
Disclaimer:
- [529] 限制: N/A
Limitation:
- [527] 條件: N/A
Condition:
其他: N/A
Others
- [220] 提交日期: 26-11-2021
Date of Filing:
- [320] 聲稱具有優先權的日期: N/A
Date of Priority Claimed:
- [310] 優先權申請編號: N/A
Priority Application Number:
- [340] 聲稱具有優先權 (部分): N/A
Priority Claim Details:
- [330] 優先權申請的
國家、地區、地方: N/A
Country, territory, area of
Priority Applications:

- [210] 商標申請編號: 305814333
Application No.:
- [540] 商標:
Mark:

Ark Legends

- [550] 商標種類: Ordinary
Mark Type:
一系列商標: NO
Series Mark:
- [571] 商標描述: N/A
Mark Description:
- [730] 註冊申請人的姓名 / 名稱、地址: Shanghai Rongchang Information Technology Co.,
Applicant(s) ' Limited (上海溶暢信息科技有限公司)
Name,Address: Room 11, Floor 2, Building 23, Block A,
196 Ouyang Road, Hongkou District, Shanghai
CHINA
- [740/ 註冊申請人的送達地址: HONG KONG VICTORY INTELLECTUAL PROPERTY AGENT
750] Applicant's Address for CO., LIMITED
Service: RM 703, 7/F PROSPER COMM BLDG,
9 YIN CHONG ST, MONGKOK, KLN,
HONG KONG

- [511] 類別編號 : 9, 41
Class(es) No(s) .:
- [511] 貨品 / 服務說明 :
Specification:
- Class 9:
Downloadable electronic game software for use on mobile and cellular phones; Downloadable electronic game software for handheld electronic devices; Downloadable electronic game software for use on handheld computers; Downloadable computer game software for use on mobile and cellular phones; Computer game programmes downloadable via the Internet; Downloadable computer game software via a global computer network and wireless devices; Computer game software downloadable from a global computer network; Downloadable computer game programs; Recorded computer game software; Downloadable computer game software; Recorded computer game software; Downloadable interactive multimedia computer game programs; Mouse pads [computer peripheral]; Musical sound recordings; Magic lanterns; Video disks with recorded animated cartoons.
- Class 41:
Entertainment services, namely, providing an on-line computer game; Entertainment services, namely, providing online video games; Providing on-line computer games; Virtual reality game services provided on-line from a computer network; Fan club; Providing on-line videos featuring computer games, not downloadable; Providing information, news and commentary in the field of entertainment; Organization of electronic game competitions; Online electronic publishing of books and periodicals; Production of radio and television programmes; Publication of books; Providing online non-downloadable electronic publications in the nature of books, magazines and brochures in the field of online games; Organizing, arranging, and conducting online game events; Entertainment and educational services in the nature of competitions in the field of entertainment, education, culture, sports, and other non-business and non-commercial fields.
- [526] 卸棄 : N/A
Disclaimer:
- [529] 限制 : N/A
Limitation:
- [527] 條件 : N/A
Condition:
其他 : N/A
Others
- [220] 提交日期 : 26-11-2021
Date of Filing:

[320] 聲稱具有優先權的日期 : N/A
Date of Priority Claimed:
[310] 優先權申請編號 : N/A
Priority Application Number:
[340] 聲稱具有優先權 (部分) : N/A
Priority Claim Details:
[330] 優先權申請的 N/A
國家、地區、地方 :
Country, territory, area of
Priority Applications:

[210] 商標申請編號 : 305814919
Application No.:
[540] 商標 :
Mark:

Mergeland

[550] 商標種類 : Ordinary
Mark Type:
一系列商標 : NO
Series Mark:
[571] 商標描述 : N/A
Mark Description:
[730] 註冊申請人的姓名 / 名稱、地址 : BEIJING NEWBORN TOWN GROUP CO., LTD.
Applicant(s)' ROOM 1201, 12TH FLOOR, NO. 9, XIAGUANGLI,
Name, Address: CHAOYANG DISTRICT, BEIJING (CN)
CHINA
[740/ 註冊申請人的送達地址 : CHANG TSI AND PARTNERS INTELLECTUAL PROPERTY
750] Applicant's Address for (HK) LIMITED
Service: LEVEL 19 TWO INT'L FINANCE CTR
8 FINANCE ST CENTRAL
HONG KONG
[511] 類別編號 : 9
Class(es) No(s) :
[511] 貨品 / 服務說明 : Class 9:
Specification: Audio- and video-receivers; integrated
circuits; computer game software,
downloadable; computer programs, downloadable;
computer software platforms, recorded or
downloadable; computer game software; computer
programs, recorded; video screens; memory
cards for video game machines; computers.

[526] 卸棄: N/A
Disclaimer:

[529] 限制: N/A
Limitation:

[527] 條件: N/A
Condition:
其他: N/A
Others

[220] 提交日期: 26-11-2021
Date of Filing:

[320] 聲稱具有優先權的日期: N/A
Date of Priority Claimed:

[310] 優先權申請編號: N/A
Priority Application Number:

[340] 聲稱具有優先權 (部分): N/A
Priority Claim Details:

[330] 優先權申請的
國家、地區、地方: N/A
Country, territory, area of
Priority Applications:

[210] 商標申請編號: 305815080
Application No.:

[540] 商標:
Mark:

宠胖胖

[550] 商標種類: 一般商標
Mark Type:
一系列商標: 否
Series Mark:

[571] 商標描述: 不適用
Mark Description:

[730] 註冊申請人的姓名 / 名稱、地址: 杭州寵胖胖科技有限公司
Applicant(s) ' 中國
Name, Address:

浙江省杭州市
蕭山區經濟技術開發區啟迪路 198 號 B1-3-156 室

- [740/ 註冊申請人的送達地址 :
750] Applicant's Address for
Service: 環曉國際有限公司
香港
成業街 30 號
華富工貿中心 13 樓 1305 室
- [511] 類別編號 :
Class(es) No(s) .: 9, 35, 42
- [511] 貨品 / 服務說明 :
Specification: 類別 9:
數據處理設備; 計算機存儲裝置; 已錄製的計算機程序;
集成電路; 計算機軟件 (已錄製); 監視器 (計算機硬件)
; 讀出器 (數據處理設備); 電子出版物, 可下載; 可下
載的計算機程序; 已錄製的計算機遊戲軟件; 可下載的音樂
文件; 可下載的影像文件; 計算機硬件; 已錄製的或可下
載的計算機軟件平台; 已錄製的或可下載的計算機屏保軟件;
移動電話用可下載圖像; 穿戴式計算機; 手機用可下載的表
情符號; 可下載的計算機遊戲軟件; 可下載的電子錢包。
類別 35:
進出口代理; 商業管理和組織諮詢; 廣告; 廣告代理; 市
場營銷研究; 提供商業信息; 替他人推銷; 計算機網絡上
的在線廣告; 替他人採購 (替其他企業購買商品或服務);
為零售目的在通信媒體上展示商品; 藥用、獸醫用、衛生用製
劑和醫療用品的零售服務; 為推銷優化搜索引擎; 在計算機
數據庫中更新和維護數據; 通過網站提供商業信息; 為商品
和服務的買賣雙方提供在線市場; 補償項目的商業管理 (替他
人); 藥用、獸醫用、衛生用製劑和醫療用品的批發服務;
定向市場營銷; 軟件出版框架下的市場營銷; 為商業或廣告
目的提供用戶評價。
類別 42:
技術研究; 計算機軟件設計; 計算機軟件維護; 計算機系
統分析; 計算機系統設計; 替他人創建和維護網站; 計算
機程序和數據的數據轉換 (非有形轉換); 計算機軟件諮詢;
網站設計諮詢; 軟件即服務 (SaaS); 信息技術諮詢服務;
通過網站提供計算機技術和編程信息; 雲計算; 外包商提供
的信息技術服務; 技術諮詢; 計算機技術諮詢; 計算機安
全諮詢; 為他人創建和設計網絡信息索引 (信息技術服務);
軟件出版框架下的軟件開發; 計算機平台的開發。
- [526] 卸棄 :
Disclaimer: 不適用
- [529] 限制 :
Limitation: 不適用
- [527] 條件 :
Condition: 不適用
其他 :
Others 不適用
- [220] 提交日期 :
Date of Filing: 27-11-2021
- [320] 聲稱具有優先權的日期 :
Date of Priority Claimed: 不適用

[310] 優先權申請編號 : 不適用
Priority Application Number:

[340] 聲稱具有優先權 (部分) : 不適用
Priority Claim Details:

[330] 優先權申請的 不適用
國家、地區、地方 :
Country, territory, area of
Priority Applications:

[210] 商標申請編號 : 305816250
Application No.:

[540] 商標 :
Mark:

TAF Pla

[550] 商標種類 : Ordinary
Mark Type:
一系列商標 : NO
Series Mark:

[571] 商標描述 : N/A
Mark Description:

[730] 註冊申請人的姓名 / 名稱、地址 : Kabushiki Kaisha Murai
Applicant(s) ' 1-1 AZA OMOTENAKAMICHI, 9 FUKUSHIMA,
Name,Address: SAKAI-CHO, SAKAI-SHI, FUKUI-KEN,
JAPAN

[740/ 註冊申請人的送達地址 : CHINA PATENT AGENT (HONG KONG) LIMITED
750] Applicant's Address for 22/F, Great Eagle Centre,
Service: 23 Harbour Road, Wanchai,
HONG KONG

[511] 類別編號 : 9
Class(es) No(s) .:

[511] 貨品 / 服務說明 : Class 9:
Specification: Spectacles; parts and accessories for
spectacles.

[526] 卸棄 : N/A
Disclaimer:

[529] 限制 : N/A
Limitation:

[527] 條件 : N/A
Condition:

其他 : N/A
Others

[220] 提交日期 : 29-11-2021
Date of Filing:

[320] 聲稱具有優先權的日期 : N/A

Date of Priority Claimed:

- [310] 優先權申請編號: N/A
Priority Application Number:
- [340] 聲稱具有優先權 (部分): N/A
Priority Claim Details:
- [330] 優先權申請的
國家、地區、地方: N/A
Country, territory, area of
Priority Applications:

- [210] 商標申請編號: 305817024
Application No.:

- [540] 商標:
Mark:

GROASSIST

- [550] 商標種類: Ordinary
Mark Type:
- 一系列商標: NO
Series Mark:

- [571] 商標描述: N/A
Mark Description:

- [730] 註冊申請人的姓名 / 名稱、地址: Pfizer Inc.
Applicant(s) ' 235 East 42nd Street
Name, Address: New York, New York 10017
UNITED STATES OF AMERICA

- [740/ 註冊申請人的送達地址: DEACONS
750] Applicant's Address for 5th Floor,
Service: Alexandra House Central
HONG KONG

- [511] 類別編號: 9
Class(es) No(s) .:

- [511] 貨品 / 服務說明: Class 9:
Specification: Computer programs (Recorded or Downloadable);
downloadable applications for use with mobile
devices; downloadable mobile applications for
managing treatment of endocrine diseases and
disorders.

- [526] 卸棄: N/A
Disclaimer:

- [529] 限制: N/A
Limitation:

- [527] 條件: N/A
Condition:
- 其他: N/A
Others

[220] 提交日期 : 30-11-2021
Date of Filing:

[320] 聲稱具有優先權的日期 : N/A
Date of Priority Claimed:

[310] 優先權申請編號 : N/A
Priority Application Number:

[340] 聲稱具有優先權 (部分) : N/A
Priority Claim Details:

[330] 優先權申請的 N/A
國家、地區、地方 :
Country, territory, area of
Priority Applications:

類別 Class 10

[210] 商標申請編號 : 305570839AA

Application No.:

[540] 商標 : A

Mark:



B



C




D



- [550] 商標種類 : Ordinary
 Mark Type:
 一系列商標 : YES
 Series Mark:
- [571] 商標描述 : The applicant claims the colours green and blue as elements of marks "B" and "D" in the series.
 Mark Description:
- [730] 註冊申請人的姓名 / 名稱、地址 : Axon Brain & Spine Rehabilitation Center
 Applicant(s) ' Limited
 Name,Address: Room 501, 5/F, Yue Hwa International Building,
 No. 1 Kowloon Park Drive, Tsim Sha Tsui,
 Kowloon
 HONG KONG
- [740/ 註冊申請人的送達地址 : Axon Brain & Spine Rehabilitation Center
 750] Applicant's Address for Limited
 Service: Room 501, 5/F, Yue Hwa International Building,
 No. 1 Kowloon Park Drive, Tsim Sha Tsui,
 Kowloon
 HONG KONG
- [511] 類別編號 : 5,10,43
 Class(es) No(s) .:
- [511] 貨品 / 服務說明 : Class 10:
 Specification: Surgical, medical, dental and veterinary apparatus and instruments; obstetric apparatus; X-ray apparatus for medical purposes; hot air therapeutic apparatus; electric blankets for medical purposes; testing apparatus for medical purposes; blood testing apparatus; hearing aids for the deaf, hearing protectors; massage apparatus; air pillows for medical purposes, air cushions for medical purposes; physical exercise apparatus for medical purposes; vaporizers for medical purposes; therapeutic and assistive devices and apparatus adapted for persons with disabilities; fumigation apparatus for medical purposes; thermal packs for first aid purposes; armchairs for medical or dental purposes; artificial limbs, eyes and teeth;

orthopedic articles; suture materials; supportive bandages; surgical implants [artificial materials]; babies' bottles; tongue scrapers; X-ray photographs for medical purposes; all included in class 10.

[526] 卸棄:	N/A
Disclaimer:	
[529] 限制:	N/A
Limitation:	
[527] 條件:	N/A
Condition:	
其他:	N/A
Others	
[220] 提交日期:	23-03-2021
Date of Filing:	
[320] 聲稱具有優先權的日期:	N/A
Date of Priority Claimed:	
[310] 優先權申請編號:	N/A
Priority Application Number:	
[340] 聲稱具有優先權 (部分):	N/A
Priority Claim Details:	
[330] 優先權申請的	N/A
國家、地區、地方:	
Country, territory, area of	
Priority Applications:	

[210] 商標申請編號:	305570901AA
Application No.:	
[540] 商標:	A
Mark:	
[550] 商標種類:	Ordinary
Mark Type:	
一系列商標:	YES
Series Mark:	
[571] 商標描述:	The applicant claims the colours green and blue as elements of mark "B" in the series.
Mark Description:	
[730] 註冊申請人的姓名 / 名稱、地址:	Axon Brain & Spine Rehabilitation Center Limited
Applicant(s) 'Name, Address:	Room 501, 5/F, Yue Hwa International Building, No. 1 Kowloon Park Drive, Tsim Sha Tsui,

Kowloon
HONG KONG

[740/ 註冊申請人的送達地址 :
750] Applicant's Address for
Service: Axon Brain & Spine Rehabilitation Center
Limited
Room 501, 5/F, Yue Hwa International Building,
No. 1 Kowloon Park Drive, Tsim Sha Tsui,
Kowloon
HONG KONG

[511] 類別編號 : 5,10,43
Class(es) No(s) .:

[511] 貨品 / 服務說明 :
Specification: Class 10:
Surgical, medical, dental and veterinary
apparatus and instruments; obstetric
apparatus; X-ray apparatus for medical
purposes; hot air therapeutic apparatus;
electric blankets for medical purposes;
testing apparatus for medical purposes; blood
testing apparatus; hearing aids for the deaf,
hearing protectors; massage apparatus; air
pillows for medical purposes, air cushions for
medical purposes; physical exercise apparatus
for medical purposes; vaporizers for medical
purposes; therapeutic and assistive devices
and apparatus adapted for persons with
disabilities; fumigation apparatus for medical
purposes; thermal packs for first aid
purposes; armchairs for medical or dental
purposes; artificial limbs, eyes and teeth;
orthopedic articles; suture materials;
supportive bandages; surgical implants
[artificial materials]; babies' bottles;
tongue scrapers; X-ray photographs for medical
purposes; all included in class 10.

[526] 卸棄 : N/A
Disclaimer:

[529] 限制 : N/A
Limitation:

[527] 條件 : N/A
Condition:
其他 : N/A
Others

[220] 提交日期 : 23-03-2021
Date of Filing:

[320] 聲稱具有優先權的日期 : N/A
Date of Priority Claimed:

[310] 優先權申請編號 : N/A
Priority Application Number:

[340] 聲稱具有優先權 (部分) : N/A
Priority Claim Details:

[330] 優先權申請的
國家、地區、地方 : N/A
Country, territory, area of
Priority Applications:

[210] 商標申請編號 : 305575988

Application No.:

[540] 商標 :

Mark:



[550] 商標種類 : 一般商標

Mark Type:

一系列商標 :

否

Series Mark:

[571] 商標描述 : 不適用

Mark Description:

[730] 註冊申請人的姓名 / 名稱、地址 :

南京同仁堂藥業有限責任公司

Applicant(s) '

中國

Name, Address:

江蘇省南京市

江北新區星宇路 98 號

[740/ 註冊申請人的送達地址 :

百信企業服務有限公司

750] Applicant's Address for

香港

Service:

金鐘金鐘道 89 號

力寶中心第一座 10 樓 1003 室

3, 10, 32, 35

[511] 類別編號 :

Class(es) No(s) .:

[511] 貨品 / 服務說明 :

類別 10:

Specification:

外科儀器和器械 ; 牙科設備和儀器 ; 理療設備 ; 醫用冷敷貼 ; 奶瓶 ; 子宮帽 ; 假肢 ; 矯形用物品 ; 縫合材料 ; 口罩 ; 醫用診斷設備 ; 醫用熏蒸設備 ; 醫用手套 ; 電療器械 ; 手術衣 ; 醫療器械和儀器 ; 護理器械 ; 按摩器械 ; 拐杖 ; 醫用手套

[526] 卸棄 :

不適用

Disclaimer:

[529] 限制 :

不適用

Limitation:

[527] 條件 :

不適用

Condition:

其他 :

獲同意註冊, 編號 302647747。

Others

[220] 提交日期: 26-03-2021

Date of Filing:

[320] 聲稱具有優先權的日期: 不適用

Date of Priority Claimed:

[310] 優先權申請編號: 不適用

Priority Application Number:

[340] 聲稱具有優先權 (部分): 不適用

Priority Claim Details:

[330] 優先權申請的 不適用

國家、地區、地方:

Country, territory, area of

Priority Applications:

[210] 商標申請編號: 305600042

Application No.:

[540] 商標: A

Mark:

大象声科

B

大象聲科

[550] 商標種類: 一般商標

Mark Type:

一系列商標: 是

Series Mark:

[571] 商標描述: 不適用

Mark Description:

[730] 註冊申請人的姓名 / 名稱、地址:

Applicant(s)'

Name, Address:

大象聲科(深圳)科技有限公司 (Elevoc Technology Co., Ltd.)

中國

廣東省深圳市

南山區粵海街道高新區社區科技南路 18 號深圳灣科技生態園
12 棟裙樓 533

[740/ 註冊申請人的送達地址:

750] Applicant's Address for

Service:

卓遠知識產權有限公司

香港

上環禧利街 27 號

富輝商業中心 10 樓

[511] 類別編號: 10

Class(es) No(s) .:

[511] 貨品 / 服務說明 : Specification:	類別 10: 數碼助聽器 ; 助聽器 ; 喇叭狀助聽器 ; 耳塞 (聽力保護裝置) ; 耳蝸植入物 ; 醫用穿戴式步行輔助機器人。
[526] 卸棄 : Disclaimer:	不適用
[529] 限制 : Limitation:	不適用
[527] 條件 : Condition: 其他 : Others	不適用
[220] 提交日期 : Date of Filing:	21-04-2021
[320] 聲稱具有優先權的日期 : Date of Priority Claimed:	不適用
[310] 優先權申請編號 : Priority Application Number:	不適用
[340] 聲稱具有優先權 (部分) : Priority Claim Details:	不適用
[330] 優先權申請的 國家、地區、地方 : Country, territory, area of Priority Applications:	不適用

[210] 商標申請編號 : 305633091
Application No.:

[540] 商標 : A
Mark:

大象愛听

B

大象愛聽

[550] 商標種類 : 一般商標
Mark Type:

一系列商標 : 是

Series Mark:

[571] 商標描述 : 不適用
Mark Description:

[730] 註冊申請人的姓名 / 名稱、地址 : 大象聲科 (深圳) 科技有限公司 (Elevoc Technology
Applicant(s) ' Co., Ltd.)
Name, Address: 中國

廣東省深圳市

南山區粵海街道高新區社區科技南路 18 號深圳灣科技生態園
12 棟裙樓 533

- [740/ 註冊申請人的送達地址 :
750] Applicant's Address for
Service: 卓遠知識產權有限公司
香港
上環禧利街 27 號
富輝商業中心 10 樓
- [511] 類別編號 :
Class(es) No(s) .: 10
- [511] 貨品 / 服務說明 :
Specification: 類別 10:
助聽器 ; 數碼助聽器 ; 喇叭狀助聽器 ; 耳塞 (聽力保護裝置) ;
聽力保護器 ; 耳蝸植入物 ; 醫用穿戴式步行輔助機器人。
- [526] 卸棄 : 不適用
Disclaimer:
- [529] 限制 : 不適用
Limitation:
- [527] 條件 : 不適用
Condition:
其他 : 不適用
Others
- [220] 提交日期 : 24-05-2021
Date of Filing:
- [320] 聲稱具有優先權的日期 : 不適用
Date of Priority Claimed:
- [310] 優先權申請編號 : 不適用
Priority Application Number:
- [340] 聲稱具有優先權 (部分) : 不適用
Priority Claim Details:
- [330] 優先權申請的
國家、地區、地方 : 不適用
Country, territory, area of
Priority Applications:

[210] 商標申請編號 : 305760748
Application No.:

[540] 商標 :
Mark:

AM PLACENTA
TOKYO

[550] 商標種類 : Ordinary
Mark Type:

一系列商標 : NO

Series Mark:

[571] 商標描述 : N/A
Mark Description:

[730] 註冊申請人的姓名 / 名稱、地址 : EGF Co., Ltd.
Applicant(s)' 1108 1-2-23, Otemon,
Name,Address: Chuo-ku, Fukuoka 810-0074
JAPAN

[740/ 註冊申請人的送達地址 : MY IP FIRM LIMITED
750] Applicant's Address for Flat F, Floor 37, Tower 12, Park Central
Service: 9 Tong Tak Str, Tseung Kwan O
HONG KONG

[511] 類別編號 : 3,5,10
Class(es) No(s) .:

[511] 貨品 / 服務說明 : Class 10:
Specification: Esthetic massage apparatus.

[526] 卸棄 : N/A
Disclaimer:

[529] 限制 : N/A
Limitation:

[527] 條件 : N/A
Condition:

其他 : N/A
Others

[220] 提交日期 : 29-09-2021
Date of Filing:

[320] 聲稱具有優先權的日期 : 21-04-2021
Date of Priority Claimed:

[310] 優先權申請編號 : 2021-048811
Priority Application Number:

[340] 聲稱具有優先權 (部分) : N/A
Priority Claim Details:

[330] 優先權申請的 JAPAN
國家、地區、地方 :
Country, territory, area of
Priority Applications:

[210] 商標申請編號 : 305785921
Application No.:

[540] 商標 :
Mark:



[550] 商標種類 : 一般商標
Mark Type:
一系列商標 : 否
Series Mark:

[571] 商標描述 : 不適用
Mark Description:

[730] 註冊申請人的姓名 / 名稱、地址 : 青森藍產業株式會社
Applicant(s) ' 日本
Name, Address: 青森縣青森市
本町 5 丁目 6 番 16 號

[740/ 註冊申請人的送達地址 : 香港務本國際知識產權事務有限公司
750] Applicant's Address for 香港
Service: 上環永樂街 72-76 號
永利大廈 9 字樓 C 室

[511] 類別編號 : 10
Class(es) No(s) .:

[511] 貨品 / 服務說明 : 類別 10:
Specification: 口罩 ; 醫用衛生口罩。

[526] 卸棄 : 不適用
Disclaimer:

[529] 限制 : 不適用
Limitation:

[527] 條件 : 不適用
Condition:
其他 : 不適用
Others

[220] 提交日期 : 28-10-2021
Date of Filing:

[320] 聲稱具有優先權的日期 : 不適用
Date of Priority Claimed:

[310] 優先權申請編號 : 不適用
Priority Application Number:

[340] 聲稱具有優先權 (部分) : 不適用
Priority Claim Details:

[330] 優先權申請的 不適用

國家、地區、地方:

Country, territory, area of

Priority Applications:

[210] 商標申請編號: 305785967

Application No.:

[540] 商標:

Mark:



[550] 商標種類: 一般商標

Mark Type:

一系列商標:

否

Series Mark:

[571] 商標描述: 不適用

Mark Description:

[730] 註冊申請人的姓名 / 名稱、地址:

青森藍產業株式會社

Applicant(s)'

日本

Name, Address:

青森縣青森市

本町5丁目6番16號

[740/ 註冊申請人的送達地址:

香港務本國際知識產權事務有限公司

750] Applicant's Address for

香港

Service:

上環永樂街72-76號

永利大廈9字樓C室

[511] 類別編號: 10

Class(es) No(s) .:

[511] 貨品 / 服務說明: 類別 10:

Specification:

口罩; 醫用衛生口罩。

[526] 卸棄: 不適用

Disclaimer:

[529] 限制: 不適用

Limitation:

[527] 條件 :	不適用
Condition:	
其他 :	不適用
Others	
[220] 提交日期 :	28-10-2021
Date of Filing:	
[320] 聲稱具有優先權的日期 :	不適用
Date of Priority Claimed:	
[310] 優先權申請編號 :	不適用
Priority Application Number:	
[340] 聲稱具有優先權 (部分) :	不適用
Priority Claim Details:	
[330] 優先權申請的 國家、地區、地方 :	不適用
Country, territory, area of Priority Applications:	
<hr/>	
[210] 商標申請編號 :	305788487
Application No.:	
[540] 商標 :	
Mark:	
[550] 商標種類 :	一般商標
Mark Type:	
一系列商標 :	否
Series Mark:	
[571] 商標描述 :	不適用
Mark Description:	
[730] 註冊申請人的姓名 / 名稱、地址 :	安徽科大訊飛醫療信息技術有限公司
Applicant(s) ' Name,Address:	中國 安徽省合肥市 高新區望江西路 666 號 A5 樓 23-24 層
[740/ 註冊申請人的送達地址 :	普衡知識產權代理有限公司
750] Applicant's Address for Service:	香港 上環永樂街 72-74 號 永利大廈 9 字樓 C 室
[511] 類別編號 :	10
Class(es) No(s) .:	
[511] 貨品 / 服務說明 :	類別 10:
Specification:	醫療器械和儀器 ; 牙科設備和儀器 ; 醫用放射設備 ; 醫用衛生 口罩 ; 醫用防護服 ; 奶瓶 ; 避孕用具 ; 假肢 ; 矯形用物品 ; 縫 合材料。
[526] 卸棄 :	不適用
Disclaimer:	

[529] 限制 :	不適用
Limitation:	
[527] 條件 :	不適用
Condition:	
其他 :	不適用
Others	
[220] 提交日期 :	01-11-2021
Date of Filing:	
[320] 聲稱具有優先權的日期 :	不適用
Date of Priority Claimed:	
[310] 優先權申請編號 :	不適用
Priority Application Number:	
[340] 聲稱具有優先權 (部分) :	不適用
Priority Claim Details:	
[330] 優先權申請的 國家、地區、地方 :	不適用
Country, territory, area of Priority Applications:	
<hr/>	
[210] 商標申請編號 :	305791410
Application No.:	
[540] 商標 :	
Mark:	
[550] 商標種類 :	Ordinary
Mark Type:	
一系列商標 :	NO
Series Mark:	
[571] 商標描述 :	N/A
Mark Description:	
[730] 註冊申請人的姓名 / 名稱、地址 :	Sinopharm Corporation Limited
Applicant(s) ' Name,Address:	Room 104A, 1/F., Lai Cheong Factory Building, 479 Castle Peak Road, Lai Chi Kok, Kowloon, HONG KONG
[740/ 註冊申請人的送達地址 :	Sinopharm Corporation Limited
750] Applicant's Address for Service:	Room 104A, 1/F., Lai Cheong Factory Building, 479 Castle Peak Road, Lai Chi Kok, Kowloon HONG KONG
[511] 類別編號 :	10
Class(es) No(s) .:	
[511] 貨品 / 服務說明 :	Class 10:
Specification:	Skin treatment apparatus using plasma, medical apparatus and instruments for skin treatment using plasma, skin diagnosis equipment for medical purposes, medical skincare apparatus, medical skin peeling devices, medical skin

diagnostic instruments, skin irritation therapy apparatus, skin regeneration therapy apparatus, skin treatment apparatus and instruments, medical apparatus and instruments for the treatment of skin, diagnostic apparatus for medical purposes for diagnostics of skin, lasers for skin treatment, Skin esthetic apparatus, cosmetic medical devices, medical apparatus and instruments, medical apparatus and instruments other than for dental purposes.

- [526] 卸棄 : N/A
Disclaimer:
- [529] 限制 : N/A
Limitation:
- [527] 條件 : N/A
Condition:
其他 : N/A
Others
- [220] 提交日期 : 04-11-2021
Date of Filing:
- [320] 聲稱具有優先權的日期 : N/A
Date of Priority Claimed:
- [310] 優先權申請編號 : N/A
Priority Application Number:
- [340] 聲稱具有優先權 (部分) : N/A
Priority Claim Details:
- [330] 優先權申請的
國家、地區、地方 : N/A
Country, territory, area of
Priority Applications:
-
-

- [210] 商標申請編號 : 305798774
Application No.:
- [540] 商標 :
Mark:



- [550] 商標種類： 一般商標
Mark Type:
一系列商標： 否
Series Mark:
- [571] 商標描述： 不適用
Mark Description:
- [730] 註冊申請人的姓名 / 名稱、地址： 中國口腔產業集團有限公司
Applicant(s) ' 香港
Name, Address: 九龍觀塘巧明街 116-118 號
萬年工業大廈 1 樓 B5 室
- [740/ 註冊申請人的送達地址： 銘捷國際知識產權事務所
750] Applicant's Address for 香港
Service: 九龍旺角花園街 2-16 號
好景商業中心 10 樓 1005 室
- [511] 類別編號： 3, 5, 10, 21, 35, 44
Class(es) No(s) .:
- [511] 貨品 / 服務說明： 類別 10:
Specification: 醫用診斷設備；醫療器械和儀器；牙科設備和儀器；醫用特製
傢具；醫用衛生口罩；出牙咬環；非化學避孕用具；人造外科
移植植物；矯形用物品；牙醫用外科設備和器械。
- [526] 卸棄： 不適用
Disclaimer:
- [529] 限制： 不適用
Limitation:
- [527] 條件： 不適用
Condition:
其他： 不適用
Others
- [220] 提交日期： 11-11-2021
Date of Filing:
- [320] 聲稱具有優先權的日期： 不適用
Date of Priority Claimed:
- [310] 優先權申請編號： 不適用
Priority Application Number:
- [340] 聲稱具有優先權 (部分)： 不適用
Priority Claim Details:
- [330] 優先權申請的 不適用
國家、地區、地方：
Country, territory, area of
Priority Applications:
-
- [210] 商標申請編號： 305798783
Application No.:

[540] 商標：
Mark:



[550] 商標種類： 一般商標
Mark Type:
一系列商標： 否
Series Mark:

[571] 商標描述： 不適用
Mark Description:

[730] 註冊申請人的姓名 / 名稱、地址： 中國數字健康集團有限公司
Applicant(s) ' 香港
Name, Address: 九龍新蒲崗五芳街 8 號
利嘉工業大廈 1 樓 A112 室

[740/ 註冊申請人的送達地址：
750] Applicant's Address for 銘捷國際知識產權事務所
Service: 香港
九龍旺角花園街 2-16 號
好景商業中心 10 樓 1005 室

[511] 類別編號： 3, 5, 9, 10, 21, 35, 38, 41, 42, 44
Class(es) No(s) .:

[511] 貨品 / 服務說明： 類別 10:
Specification: 醫用診斷設備；醫療器械和儀器；牙科設備和儀器；醫用特製
傢具；醫用衛生口罩；出牙咬環；非化學避孕用具；人造外科
移植物；矯形用物品；牙醫用外科設備和器械。

[526] 卸棄： 不適用
Disclaimer:

[529] 限制： 不適用
Limitation:

[527] 條件： 不適用
Condition:
其他： 不適用
Others

[220] 提交日期： 11-11-2021
Date of Filing:

[320] 聲稱具有優先權的日期： 不適用
Date of Priority Claimed:

[310] 優先權申請編號： 不適用
Priority Application Number:

[340] 聲稱具有優先權 (部分)： 不適用
Priority Claim Details:

[330] 優先權申請的 不適用

國家、地區、地方：

Country, territory, area of

Priority Applications:

[210]	商標申請編號： Application No.:	305799007
[540]	商標： Mark:	<h1>CannaSen</h1>
[550]	商標種類： Mark Type:	Ordinary
	一系列商標： Series Mark:	NO
[571]	商標描述： Mark Description:	N/A
[730]	註冊申請人的姓名 / 名稱、地址： Applicant(s)' Name,Address:	CS MEDICA A/S Fruebjergvej 3, 2100 København Ø DENMARK
[740/ 750]	註冊申請人的送達地址： Applicant's Address for Service:	OLDHAM LI & NIE SOLICITORS 503, St. George's Building, 2 Ice House Street, Central, HONG KONG
[511]	類別編號： Class(es) No(s) .:	3,5,10
[511]	貨品 / 服務說明： Specification:	Class 10: Medical devices.
[526]	卸棄： Disclaimer:	N/A
[529]	限制： Limitation:	N/A
[527]	條件： Condition:	N/A
	其他： Others	N/A
[220]	提交日期： Date of Filing:	11-11-2021
[320]	聲稱具有優先權的日期： Date of Priority Claimed:	N/A
[310]	優先權申請編號： Priority Application Number:	N/A
[340]	聲稱具有優先權 (部分)： Priority Claim Details:	N/A
[330]	優先權申請的	N/A

國家、地區、地方：

Country, territory, area of
Priority Applications:

[210] 商標申請編號： 305800798
Application No.:

[540] 商標：
Mark:

GEMO

[550] 商標種類： 一般商標
Mark Type:

一系列商標： 否
Series Mark:

[571] 商標描述： 不適用
Mark Description:

[730] 註冊申請人的姓名 / 名稱、地址： 杭州氫氧電子商務有限公司
Applicant(s) ' 中國
Name,Address: 浙江省杭州市
濱江區長河街道江虹路 735 號 4 幢四層 406 室

[740/ 註冊申請人的送達地址： 滙誠知識產權有限公司
750] Applicant's Address for 香港
Service: 灣仔軒尼詩道 8-12 號
中港大廈 8 樓

[511] 類別編號： 3, 5, 8, 9, 10
Class(es) No(s) .:

[511] 貨品 / 服務說明： 類別 10:
Specification: 體脂監測儀；按摩儀器；電子按摩器；治療脫髮用激光治療頭
盔；醫用激光器；醫療器械和儀器；腹帶；按摩器械；振動按
摩器；醫用薰蒸設備；人工呼吸設備；理療設備；醫用電熱墊
；假肢；縫合材料；醫用床；牙科用儀器及器械；畸齒矯正儀
器；醫用水床；治療痤瘡用裝置

[526] 卸棄： 不適用
Disclaimer:

[529] 限制： 不適用
Limitation:

[527] 條件: 不適用

Condition:

其他: 不適用

Others

[220] 提交日期: 12-11-2021

Date of Filing:

[320] 聲稱具有優先權的日期: 不適用

Date of Priority Claimed:

[310] 優先權申請編號: 不適用

Priority Application Number:

[340] 聲稱具有優先權 (部分): 不適用

Priority Claim Details:

[330] 優先權申請的 不適用

國家、地區、地方:

Country, territory, area of
Priority Applications:

[210] 商標申請編號: 305802255

Application No.:

[540] 商標:

Mark:



[550] 商標種類: Ordinary

Mark Type:

一系列商標: YES

Series Mark:

[571] 商標描述: The applicant claims the colours dark blue, green and yellow as elements of mark "A" in the series.

Mark Description:

[730] 註冊申請人的姓名 / 名稱、地址: Genetron Health (Beijing) Co., Ltd. (北京泛生子基因科技有限公司)

Applicant(s)'

Name,Address:

1-2/F, Building 11, Zone 1,
No.8 Life Science Parkway Changping District,
Beijing,
CHINA

[740/ 註冊申請人的送達地址: Li & Partners

750] Applicant's Address for

Service:

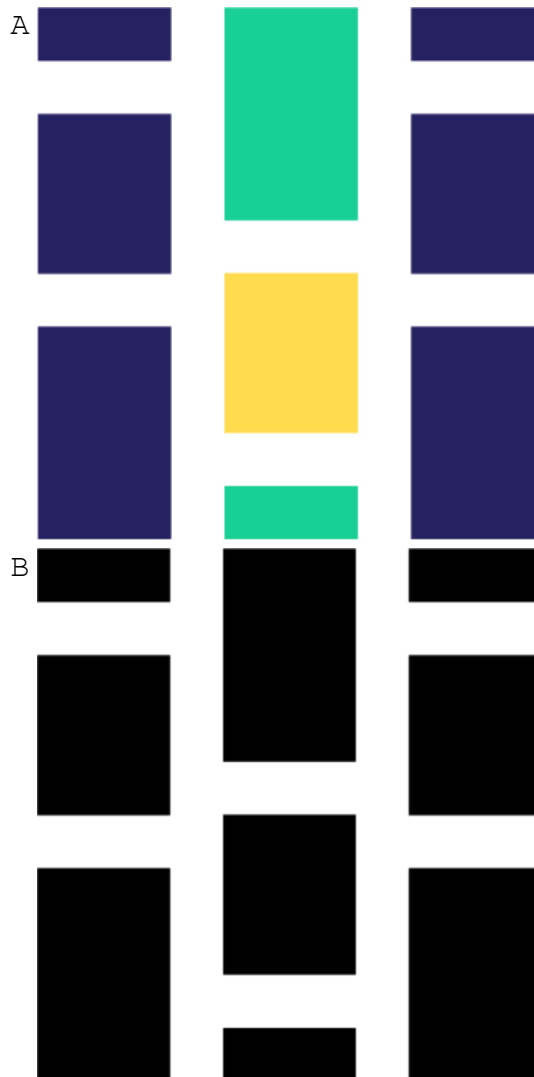
22/F, World Wide House
19 Des Voeux Road Central, Central
HONG KONG

[511] 類別編號: 5,10,35,42,44

Class(es) No(s) .:

[511]	貨品 / 服務說明 : Specification:	Class 10: Surgical, medical, dental and veterinary apparatus and instruments; artificial limbs, eyes and teeth; orthopaedic articles; suture materials; therapeutic and assistive devices adapted for persons with disabilities; massage apparatus; apparatus, devices and articles for nursing infants; sexual activity apparatus, devices and articles; medical diagnostic equipment; medical analysis instruments; medical testers; physiotherapy equipment; medical gloves; elastic bandages; hemostatic plugs.
[526]	卸棄 : Disclaimer:	N/A
[529]	限制 : Limitation:	N/A
[527]	條件 : Condition: 其他 : Others	N/A N/A
[220]	提交日期 : Date of Filing:	15-11-2021
[320]	聲稱具有優先權的日期 : Date of Priority Claimed:	N/A
[310]	優先權申請編號 : Priority Application Number:	N/A
[340]	聲稱具有優先權 (部分) : Priority Claim Details:	N/A
[330]	優先權申請的 國家、地區、地方 : Country, territory, area of Priority Applications:	N/A
<hr/>		
[210]	商標申請編號 : Application No.:	305802264

[540] 商標 :
Mark:



[550] 商標種類 :

Ordinary

Mark Type:

一系列商標 :

YES

Series Mark:

[571] 商標描述 :

Mark Description:

The applicant claims the colours dark blue, green and yellow as elements of mark "A" in the series.

[730] 註冊申請人的姓名 / 名稱、地址 :

Applicant(s) ' Name,Address:

Genetron Health (Beijing) Co., Ltd. (北京泛生子基因科技有限公司)
1-2/F, Building 11, Zone 1,
No.8 Life Science Parkway Changping District,
Beijing,
CHINA

[740/ 註冊申請人的送達地址 :

750] Applicant's Address for Service:

Li & Partners
22/F, World Wide House
19 Des Voeux Road Central, Central
HONG KONG

[511] 類別編號 :

Class(es) No(s) .:

5,10,35,42,44

[511] 貨品 / 服務說明 : Specification:	Class 10: Surgical, medical, dental and veterinary apparatus and instruments; artificial limbs, eyes and teeth; orthopaedic articles; suture materials; therapeutic and assistive devices adapted for persons with disabilities; massage apparatus; apparatus, devices and articles for nursing infants; sexual activity apparatus, devices and articles; medical diagnostic equipment; medical analysis instruments; medical testers; physiotherapy equipment; medical gloves; elastic bandages; hemostatic plugs.
[526] 卸棄 : Disclaimer:	N/A
[529] 限制 : Limitation:	N/A
[527] 條件 : Condition: 其他 : Others	N/A N/A
[220] 提交日期 : Date of Filing:	15-11-2021
[320] 聲稱具有優先權的日期 : Date of Priority Claimed:	N/A
[310] 優先權申請編號 : Priority Application Number:	N/A
[340] 聲稱具有優先權 (部分) : Priority Claim Details:	N/A
[330] 優先權申請的 國家、地區、地方 : Country, territory, area of Priority Applications:	N/A

[210] 商標申請編號 : 305805559
Application No.:

[540] 商標 :
Mark:

FILORGA

[550] 商標種類 : Ordinary
Mark Type:

一系列商標 : NO

Series Mark:

[571] 商標描述 : N/A
Mark Description:

[730] 註冊申請人的姓名 / 名稱、地址 : LABORATOIRES FILORGA COSMETIQUES
Applicant(s) ' 2-4 rue de Lisbonne,
Name,Address: 75008 Paris,
FRANCE

[740/ 註冊申請人的送達地址 : SPRUSON & FERGUSON (HONG KONG) LIMITED
750] Applicant's Address for 5001 Hopewell Centre
Service: 183 Queen's Road East, Wan Chai
HONG KONG

[511] 類別編號 : 3,5,10
Class(es) No(s) .:

[511] 貨品 / 服務說明 : Class 10:
Specification: Medical and surgical instruments; apparatus
and instruments for beauty purposes; dermal
implant for medical use for filling out
wrinkles or increasing their volume;
hypodermic syringes for medical use.

[526] 卸棄 : N/A
Disclaimer:

[529] 限制 : N/A
Limitation:

[527] 條件 : N/A
Condition:
其他 : N/A
Others

[220] 提交日期 : 18-11-2021
Date of Filing:

[320] 聲稱具有優先權的日期 : N/A
Date of Priority Claimed:

[310] 優先權申請編號 : N/A
Priority Application Number:

[340] 聲稱具有優先權 (部分) : N/A
Priority Claim Details:

[330] 優先權申請的 N/A
國家、地區、地方 :
Country, territory, area of
Priority Applications:

[210] 商標申請編號 : 305807557
Application No.:

[540] 商標 :
Mark:

Lifree

[550] 商標種類: Ordinary
Mark Type:
一系列商標: NO
Series Mark:

[571] 商標描述: N/A
Mark Description:

[730] 註冊申請人的姓名 / 名稱、地址: UNI-CHARM Kabushiki Kaisha (UNI-CHARM CORPORATION)
Applicant(s) ' Name,Address: 182 Shimobun, Kinsei-cho, Shikokuchuo-shi, Ehime-ken, JAPAN

[740/ 註冊申請人的送達地址: VIVIEN CHAN & CO
750] Applicant's Address for 32/F, Harbour Centre,
Service: 25 Harbour Road, Wanchai, HONG KONG

[511] 類別編號: 10
Class(es) No(s) .:

[511] 貨品 / 服務說明: Class 10:
Specification: incontinence sheets; incontinence bed pads; sterile sheets, surgical; draw-sheets for sick beds; bed sheets, namely disposable absorbent sheets for incontinence; bed sheets, namely disposable absorbent sheets for incontinence used in hospitals; water absorption sheets for sick beds; cushions (pads) for medical purposes; bedsore preventing pads (surgical); air mattresses for preventing bedsores; disposable absorbent sheets for cleaning bodies of those who need care

[526] 卸棄: N/A
Disclaimer:

[529] 限制: N/A
Limitation:

[527] 條件: N/A
Condition:
其他: N/A
Others

[220] 提交日期: 19-11-2021
Date of Filing:

[320] 聲稱具有優先權的日期: N/A
Date of Priority Claimed:

[310] 優先權申請編號: N/A
Priority Application Number:

[340] 聲稱具有優先權 (部分): N/A
Priority Claim Details:

[330] 優先權申請的 國家、地區、地方: N/A
Country, territory, area of Priority Applications:

- [210] 商標申請編號: 305809113
Application No.:
- [540] 商標:
Mark:
- # 春姨
- [550] 商標種類: 一般商標
Mark Type:
一系列商標: 否
Series Mark:
- [571] 商標描述: 不適用
Mark Description:
- [730] 註冊申請人的姓名 / 名稱、地址:
Applicant(s)'
Name,Address: 南京沃色電子商務有限公司
中國
江蘇省南京市
江寧區東山街道竹山路 68 號江寧萬達廣場(西區) 6 幢 1001 室
- [740/ 註冊申請人的送達地址:
750] Applicant's Address for
Service: 環曉國際有限公司
香港
成業街 30 號
華富工貿中心 13 樓 1305 室
- [511] 類別編號:
Class(es) No(s) .: 5,10,25
- [511] 貨品 / 服務說明:
Specification: 類別 10:
性愛娃娃; 性玩具; 振動按摩器; 吸奶器; 非化學避孕用具;
足部按摩設備; 醫用衛生口罩; 人造乳房; 牙科設備和儀器;
醫用體溫計
- [526] 卸棄:
Disclaimer: 不適用
- [529] 限制:
Limitation: 不適用
- [527] 條件:
Condition: 不適用
其他:
Others: 不適用
- [220] 提交日期:
Date of Filing: 22-11-2021
- [320] 聲稱具有優先權的日期:
Date of Priority Claimed: 不適用
- [310] 優先權申請編號:
Priority Application Number: 不適用
- [340] 聲稱具有優先權 (部分):
Priority Claim Details: 不適用
- [330] 優先權申請的
國家、地區、地方: 不適用

Country, territory, area of
Priority Applications:

- [210] 商標申請編號 : 305809447
Application No.:
- [540] 商標 :
Mark:
- # APRED
- [550] 商標種類 : Ordinary
Mark Type:
一系列商標 : NO
Series Mark:
- [571] 商標描述 : N/A
Mark Description:
- [730] 註冊申請人的姓名 / 名稱、地址 : Fresenius Medical Care Deutschland GmbH
Applicant (s) ' Else-Kröner-Str. 1,
Name,Address: 61352 Bad Homburg,
GERMANY
- [740/ 註冊申請人的送達地址 : CLT PATENT & TRADEMARK (H.K.) LIMITED
750] Applicant's Address for Unit 09, 34/F., Office Tower, Convention Plaza
Service: 1 Harbour Road, Wanchai
HONG KONG
- [511] 類別編號 : 10
Class(es) No(s) .:
- [511] 貨品 / 服務說明 : Class 10:
Specification: Medical apparatus, all the aforementioned
goods except orthopaedic articles.
- [526] 卸棄 : N/A
Disclaimer:
- [529] 限制 : N/A
Limitation:
- [527] 條件 : N/A
Condition:
其他 : N/A
Others
- [220] 提交日期 : 23-11-2021
Date of Filing:
- [320] 聲稱具有優先權的日期 : 25-05-2021
Date of Priority Claimed:
- [310] 優先權申請編號 : 302021011511
Priority Application Number:
- [340] 聲稱具有優先權 (部分) : N/A
Priority Claim Details:
- [330] 優先權申請的 GERMANY
國家、地區、地方 :

Country, territory, area of
Priority Applications:

[210] 商標申請編號 : 305810184
Application No.:

[540] 商標 :
Mark:

YOUTHERA

[550] 商標種類 : Ordinary
Mark Type:
一系列商標 : NO
Series Mark:

[571] 商標描述 : N/A
Mark Description:

[730] 註冊申請人的姓名 / 名稱、地址 : APR CO., LTD.
Applicant(s) ' 36F, 300, Olympic-ro,
Name,Address: Songpa-gu, Seoul,
REPUBLIC OF KOREA

[740/ 註冊申請人的送達地址 : BIRD & BIRD
750] Applicant's Address for 6/F, The Annex, Central Plaza
Service: 18 Harbour Road
HONG KONG

[511] 類別編號 : 10
Class(es) No(s) .:

[511] 貨品 / 服務說明 : Class 10:
Specification: High-frequency esthetic skin massage apparatus
for household purposes; electric skin
massaging apparatus for household purposes;
electrically heated skin massaging apparatus;
esthetic facial massage apparatus for skin
whitening effect; high-frequency warmer
appliances for medical purposes; high-
frequency stimulators for medical purposes;
high-frequency skin care equipment for medical
purpose; high frequency apparatus for medical
use; medical skin care apparatus; medical
esthetic machine for skin massage; medical
skin esthetic apparatus with electrical
stimulation; apparatus for producing
ultrasonic waves for medical application;
ultrasonic massaging apparatus; high frequency
warmer therapeutic appliances; medical skin
enhancement apparatus using lasers; high
frequency electric therapy apparatus; gum
massagers for babies; condoms; medical cooling
gel pack; medical cooling gel pads; stockings
for therapeutic purposes; medical gowns;
gloves for massage; sanitary masks for medical
purposes.

[526] 卸棄:	N/A
Disclaimer:	
[529] 限制:	N/A
Limitation:	
[527] 條件:	N/A
Condition:	
其他:	N/A
Others	
[220] 提交日期:	23-11-2021
Date of Filing:	
[320] 聲稱具有優先權的日期:	N/A
Date of Priority Claimed:	
[310] 優先權申請編號:	N/A
Priority Application Number:	
[340] 聲稱具有優先權 (部分):	N/A
Priority Claim Details:	
[330] 優先權申請的	N/A
國家、地區、地方:	
Country, territory, area of	
Priority Applications:	
<hr/>	
[210] 商標申請編號:	305815017
Application No.:	
[540] 商標:	PLERVAY
Mark:	
[550] 商標種類:	Ordinary
Mark Type:	
一系列商標:	NO
Series Mark:	
[571] 商標描述:	N/A
Mark Description:	
[730] 註冊申請人的姓名 / 名稱、地址:	Bayer Aktiengesellschaft
Applicant(s)'	Kaiser-Wilhelm-Allee
Name, Address:	51373 Leverkusen
	GERMANY
[740/ 註冊申請人的送達地址:	DEACONS
750] Applicant's Address for	5th Floor,
Service:	Alexandra House Central
	HONG KONG
[511] 類別編號:	10
Class(es) No(s) .:	
[511] 貨品 / 服務說明:	Class 10:
Specification:	Surgical and medical apparatus and
	instruments; syringes for the injection of
	drugs for human use; syringes and injection

needles provided as a kit for the injection of drugs for human use.

- [526] 卸棄: N/A
Disclaimer:
- [529] 限制: N/A
Limitation:
- [527] 條件: N/A
Condition:
其他: N/A
Others
- [220] 提交日期: 26-11-2021
Date of Filing:
- [320] 聲稱具有優先權的日期: N/A
Date of Priority Claimed:
- [310] 優先權申請編號: N/A
Priority Application Number:
- [340] 聲稱具有優先權 (部分): N/A
Priority Claim Details:
- [330] 優先權申請的
國家、地區、地方: N/A
Country, territory, area of
Priority Applications:

-
- [210] 商標申請編號: 305815468
Application No.:
- [540] 商標:
Mark:

CerebrAX

- [550] 商標種類: Ordinary
Mark Type:
一系列商標: NO
Series Mark:
- [571] 商標描述: N/A
Mark Description:
- [730] 註冊申請人的姓名 / 名稱、地址: HeMo Bioengineering Pte Ltd
Applicant(s) ' #03-06 8 Kaki Bukit Ave 1
Name, Address: Singapore 417941
SINGAPORE

[740/ 註冊申請人的送達地址 : HeMo Bioengineering Limited
750] Applicant's Address for Level 54, Hopewell Centre
Service: 183 Queen's Road East
HONG KONG

[511] 類別編號 : 10
Class(es) No(s) .:

[511] 貨品 / 服務說明 : Class 10:
Specification: catheters; medical catheters

[526] 卸棄 : N/A
Disclaimer:

[529] 限制 : N/A
Limitation:

[527] 條件 : N/A
Condition:
其他 : N/A
Others

[220] 提交日期 : 29-11-2021
Date of Filing:

[320] 聲稱具有優先權的日期 : 11-06-2021
Date of Priority Claimed:

[310] 優先權申請編號 : 40202113910U
Priority Application Number:

[340] 聲稱具有優先權 (部分) : N/A
Priority Claim Details:

[330] 優先權申請的 SINGAPORE
國家、地區、地方 :
Country, territory, area of
Priority Applications:

[210] 商標申請編號 : 305815512
Application No.:

[540] 商標 :
Mark:

AsprAX

[550] 商標種類 : Ordinary
Mark Type:
一系列商標 : NO
Series Mark:

[571] 商標描述 : N/A
Mark Description:

[730] 註冊申請人的姓名 / 名稱、地址 : HeMo Bioengineering Pte Ltd
Applicant(s)' #03-08 8 Kaki Bukit Ave 1,
Name,Address: Singapore 417941
SINGAPORE

[740/ 註冊申請人的送達地址 : HeMo Bioengineering Limited
750] Applicant's Address for Level 54, Hopewell Centre
Service: 183 Queen's Road East
HONG KONG

[511] 類別編號 : 10
Class(es) No(s) .:

[511] 貨品 / 服務說明 : Class 10:
Specification: catheters; medical catheters

[526] 卸棄 : N/A
Disclaimer:

[529] 限制 : N/A
Limitation:

[527] 條件 : N/A
Condition:

其他 : N/A
Others

[220] 提交日期 : 29-11-2021
Date of Filing:

[320] 聲稱具有優先權的日期 : 11-06-2021
Date of Priority Claimed:

[310] 優先權申請編號 : 40202113911X
Priority Application Number:

[340] 聲稱具有優先權 (部分) : N/A
Priority Claim Details:

[330] 優先權申請的 SINGAPORE
國家、地區、地方 :
Country, territory, area of
Priority Applications:

[210] 商標申請編號 : 305817123
Application No.:

[540] 商標 :
Mark:

YUTIQ

[550] 商標種類 : Ordinary
Mark Type:
一系列商標 : NO
Series Mark:

[571] 商標描述 : N/A
Mark Description:

[730] 註冊申請人的姓名 / 名稱、地址 : EyePoint Pharmaceuticals US, Inc.
Applicant(s) ' 480 Pleasant Street, Suite B300
Name,Address: Watertown, MASSACHUSETTS 02472
UNITED STATES OF AMERICA

[740/ 註冊申請人的送達地址 : BAKER & MCKENZIE
750] Applicant's Address for 14TH FLOOR, ONE TAIKOO PLACE,
Service: 979 KING'S ROAD, QUARRY BAY,
HONG KONG

[511] 類別編號 : 5,10
Class(es) No(s) .:

[511] 貨品 / 服務說明 : Class 10:
Specification: Sustained drug delivery systems for ocular
drugs.

[526] 卸棄 : N/A
Disclaimer:

[529] 限制 : N/A
Limitation:

[527] 條件 : N/A
Condition:
其他 : N/A
Others

[220] 提交日期 : 30-11-2021
Date of Filing:

[320] 聲稱具有優先權的日期 : N/A
Date of Priority Claimed:

[310] 優先權申請編號 : N/A
Priority Application Number:

[340] 聲稱具有優先權 (部分) : N/A
Priority Claim Details:

[330] 優先權申請的 N/A
國家、地區、地方 :
Country, territory, area of
Priority Applications:
