

# 香港知識產權公報

Hong Kong Intellectual Property Journal

2019 年 7 月 12 日

12 July 2019

## 目錄 Contents

### 根據註冊外觀設計條例第 25 條註冊的外觀設計

#### **Designs Registered under section 25 of the Registered Designs Ordinance**

按註冊編號排列

Arranged by Registration Number

### 根據註冊外觀設計條例(第 522 章)公布的其他公告

#### **Other Notices Published under the Registered Designs Ordinance (Cap. 522)**

根據註冊外觀設計條例第 28 條, 註冊外觀設計因未繳續期費而停止有效

Registered designs ceased through non-payment of renewal fees under section 28 of the Registered Designs Ordinance

根據註冊外觀設計規則第 31 條刪除的註冊外觀設計

Registered designs removed under section 31 of the Registered Designs Rules

### 以下事項沒有記錄

#### **No Records for the Following Matters**

根據註冊外觀設計條例第 67 條 更正註冊紀錄冊內的錯誤

Correction of errors in Register under section 67 of the Registered Designs Ordinance

根據註冊外觀設計條例第 67 及 76 條, 更正註冊紀錄冊內及已提交文件中的錯誤

Correction of Errors in Register and in Filed Documents under sections 67 and 76 of the Registered Designs Ordinance

根據註冊外觀設計條例第 76 條, 更正已提交文件中的錯誤

Correction of errors in filed documents under section 76 of the  
Registered Designs Ordinance

勘誤

Corrigendum

根據註冊外觀設計規則第 63 條對不符合規定之處作出糾正

Rectification of Irregularities under section 63 of the Registered  
Designs Rules

根據註冊外觀設計條例第 66 條，糾正註冊紀錄冊

Rectification of Register under section 66 of the Registered Designs  
Ordinance

根據註冊外觀設計規則第 46 條，向法院作出轉介

Reference to Court under section 46 of the Registered Designs Rules

根據註冊外觀設計規則第 37 條，向處長作出轉介

Reference to Registrar under section 37 of the Registered Designs Rules

根據註冊外觀設計條例第 45 條，撤銷註冊

Revocation of Registration under section 45 of the Registered Designs  
Ordinance

根據註冊外觀設計條例第 30 條放棄的外觀設計的註冊

Surrender of Registration of Design under section 30 of the Registered  
Designs Ordinance

## 註冊外觀設計公告註釋

### Notes on advertisements of registration of designs

方括號表示下列資料：

Square brackets indicate the following data：

[11] 註冊編號 Registration number / 聯合王國註冊編號 United Kingdom registration number

[15] 註冊日期 Registration date / 當作註冊日期 Deemed registration date / 聯合王國註冊日期 United Kingdom registration date

[17] 註冊有效期屆滿日期 Expiry date of the period of registration

[22] 提交日期 Filing date / 當作提交日期 Deemed filing date / 聯合王國提交日期 United Kingdom filing date

[30] 聲稱享有的優先權 (提交日期 / 巴黎公約國或世界貿易組織成員 / 申請編號) Priority claimed (filing date / Paris Convention country or WTO member / application number)

[51] 國際外觀設計分類號 (洛迦諾分類號) International Classification of designs (Locarno Classification)

[54] 物品 Article

[55] 外觀設計的表述 Representation of the design

[62] 分開前的申請編號及提交日期 Application number before division and filing date

[66] 過往註冊的聯繫外觀設計註冊編號 / 日期 Registration No. / Date of Previous Registration for Association

[72] 設計人 Designer

[73] 擁有人姓名和地址 Name and address of the owner

[74] 代理人 Agent / 送達地址 Address for service



香港特別行政區政府知識產權署外觀設計註冊處

The Government of the Hong Kong Special Administrative Region

Designs Registry, Intellectual Property Department

## 根據註冊外觀設計條例第 25 條註冊的外觀設計

### Designs registered under section 25 of the Registered Designs Ordinance

按註冊編號排列

Arranged by Registration Number

[11] 1802155.0M001

[15] 01-11-2018

[30] 17-09-2018 / EM / 005643574-0001

[51] Cl. 2-05

[54] 圍兜

Bib

[73] BabyBjörn AB

Box 913,

SE-170 09 SOLNA,

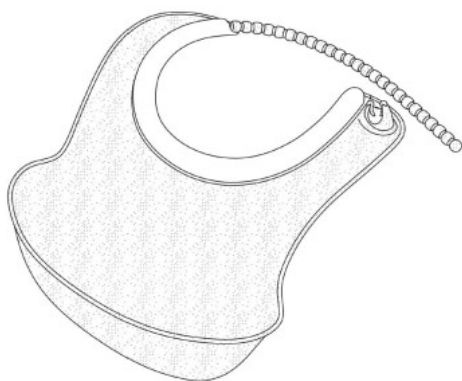
SWEDEN

[74] WENPING & CO.

1701 Tung Wai Commercial Building,

111 Gloucester Road,

Hong Kong.



---

[11] 1802155.0M002

[15] 01-11-2018

[30] 17-09-2018 / EM / 005643574-0002

[51] Cl. 2-05

[54] 圍兜的部件

Part of bib

[73] BabyBjörn AB

Box 913,

SE-170 09 SOLNA,

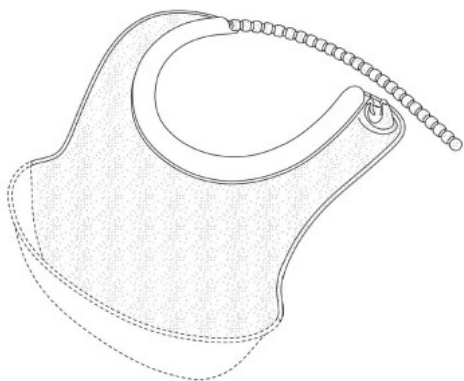
SWEDEN

[74] WENPING & CO.

1701 Tung Wai Commercial Building,

111 Gloucester Road,

Hong Kong.



---

[11] 1802168.7M001

[15] 02-11-2018

[30] 15-05-2018 / US / 29/647,802

[51] Cl. 24-01

[54] 醫療設備控制台

Medical device console

[73] Biocompatibles UK Limited

Lakeview, Riverside Way,

Watchmoor Park, Camberley,

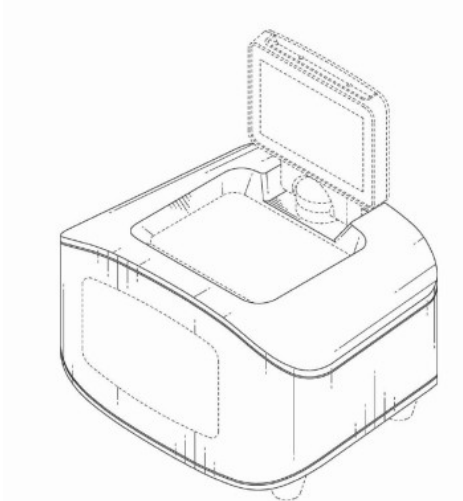
Surrey GU15 3YL, UNITED KINGDOM

[74] Deacons

5th Floor,

Alexandra House,

Central, Hong Kong.



---

[11] 1802168.7M002

[15] 02-11-2018

[30] 15-05-2018 / US / 29/647,802

[51] Cl. 24-01

[54] 醫療設備控制台

Medical device console

[73] Biocompatibles UK Limited

Lakeview, Riverside Way,

Watchmoor Park, Camberley,

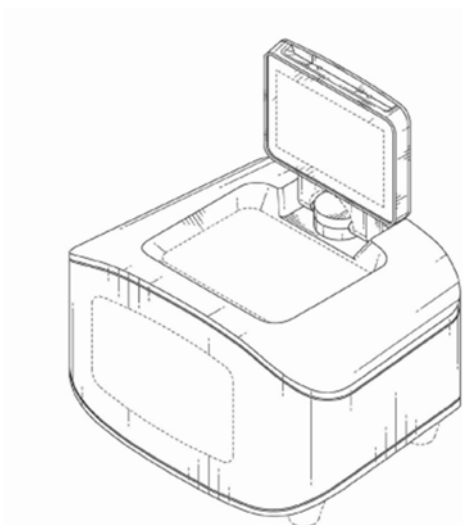
Surrey GU15 3YL, UNITED KINGDOM

[74] Deacons

5th Floor,

Alexandra House,

Central, Hong Kong.





- [11] 1802168.7M003  
[15] 02-11-2018  
[30] 15-05-2018 / US / 29/647,670  
[51] Cl. 24-01  
[54] 醫療設備控制台  
Medical device console  
[73] Biocompatibles UK Limited  
Lakeview, Riverside Way,  
Watchmoor Park, Camberley,  
Surrey GU15 3YL, UNITED KINGDOM  
[74] Deacons  
5th Floor,  
Alexandra House,  
Central, Hong Kong.



- 
- [11] 1802168.7M004  
[15] 02-11-2018  
[30] 15-05-2018 / US / 29/647,670  
[51] Cl. 24-01  
[54] 醫療設備控制台  
Medical device console  
[73] Biocompatibles UK Limited  
Lakeview, Riverside Way,  
Watchmoor Park, Camberley,  
Surrey GU15 3YL, UNITED KINGDOM  
[74] Deacons  
5th Floor,  
Alexandra House,  
Central, Hong Kong.



[11] 1802202.0M001

[15] 08-11-2018

[30] 10-05-2018 / EM / 005264504-0001

[51] Cl. 9-03

[54] 包裝盒

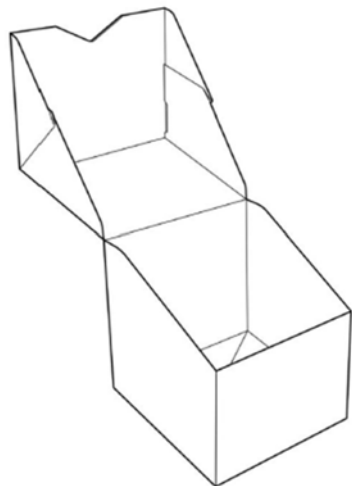
Box for packaging

[73] 雷克特本克斯爾健康有限公司

Reckitt Benckiser Health Limited  
103-105 Bath Road,  
Slough, Berkshire, SL1 3UH,  
United Kingdom

[74] SANYOU INTERNATIONAL INTELLECTUAL PROPERTY AGENCY (HONG KONG)

LIMITED  
ROOM 601, 6/F.,  
YUE XIU BUILDING,  
160-174 LOCKHART ROAD, WANCHAI, HONG KONG



[11] 1802202.0M002

[15] 08-11-2018

[30] 10-05-2018 / EM / 005264504-0002

[51] Cl. 9-03

[54] 包裝盒

Box for packaging [73]

雷克特本克斯爾健康有限公司

Reckitt Benckiser Health Limited

103-105 Bath Road,

Slough, Berkshire, SL1 3UH,

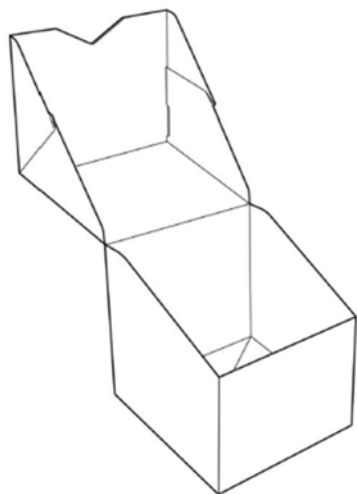
United Kingdom

[74] SANYOU INTERNATIONAL INTELLECTUAL PROPERTY AGENCY (HONG KONG)  
LIMITED

ROOM 601, 6/F.,

YUE XIU BUILDING,

160-174 LOCKHART ROAD, WANCHAI, HONG KONG



---

[11] 1802202.0M003

[15] 08-11-2018

[30] 10-05-2018 / EM / 005264504-0003

[51] Cl. 9-03

[54] 包裝盒

Box for packaging [73]

雷克特本克斯爾健康有限公司

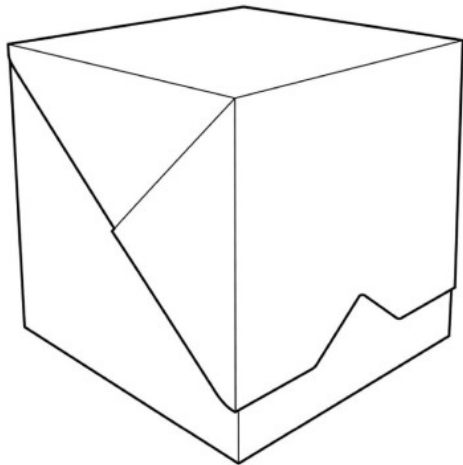
Reckitt Benckiser Health Limited

103-105 Bath Road,

Slough, Berkshire, SL1 3UH,

United Kingdom

[74] SANYOU INTERNATIONAL INTELLECTUAL PROPERTY AGENCY (HONG KONG)  
LIMITED  
ROOM 601, 6/F.,  
YUE XIU BUILDING,  
160-174 LOCKHART ROAD, WANCHAI, HONG KONG



---

[11] 1802202.0M004

[15] 08-11-2018

[30] 10-05-2018 / EM / 005264504-0004

[51] Cl. 9-03

[54] 包裝盒

Box for packaging [73]

雷克特本克斯爾健康有限公司

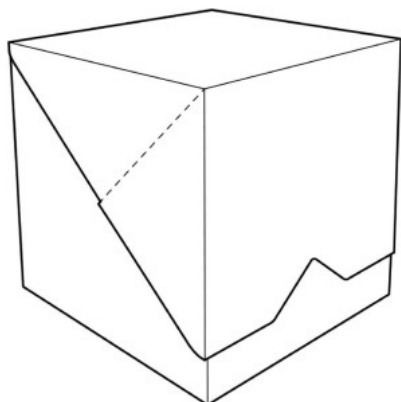
Reckitt Benckiser Health Limited

103-105 Bath Road,

Slough, Berkshire, SL1 3UH,

United Kingdom

[74] SANYOU INTERNATIONAL INTELLECTUAL PROPERTY AGENCY (HONG KONG)  
LIMITED  
ROOM 601, 6/F.,  
YUE XIU BUILDING,  
160-174 LOCKHART ROAD, WANCHAI, HONG KONG



---

[11] 1802235.0

[15] 15-11-2018

[30] 23-08-2018 / EU, LI, CH, US / DM/102 669

[51] Cl. 9-08

[54] 叉車貨盤

Pallet for forklifts

[73] 格奧爾格·烏茨控股股份公司

Georg UTZ Holding AG

Augraben 2-4 5620 Bremgarten,

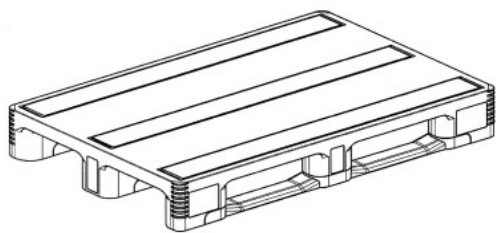
SWITZERLAND

[74] MARKS & CLERK

Level 9, Cyberport 1,

100 Cyberport Road,

Pok Fu Lam, Hong Kong.



---

[11] 1802252.5M001

[15] 19-11-2018

[51] Cl. 14-01

[54] 耳機

Earphone

[73] 創品科技有限公司

Inno3C Limited

香港九龍觀塘

鴻圖道 41 號  
華鴻工貿中心 8 樓 1 室

[74] 創品科技有限公司  
香港九龍觀塘 鴻  
圖道 41 號  
華鴻工貿中心 8 樓 1 室



---

[11] 1802252.5M002

[15] 19-11-2018

[51] Cl. 14-01

[54] 耳機

Earphone

[73] 創品科技有限公司  
Inno3C Limited  
香港九龍觀塘 鴻圖  
道 41 號  
華鴻工貿中心 8 樓 1 室

[74] 創品科技有限公司  
香港九龍觀塘 鴻  
圖道 41 號  
華鴻工貿中心 8 樓 1 室



---

[11] 1802260.2

[15] 21-11-2018

[30] 03-07-2018 / EM / 005385507-0001

[51] Cl. 9-01

[54] 瓶子

Bottle

[73] 賽威爾格拉斯公司

SAVERGLASS

3 rue de la Gare,

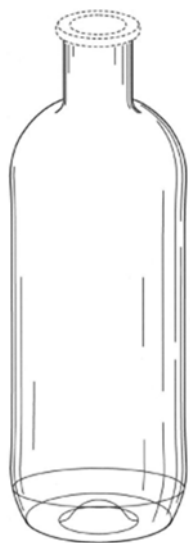
60960 FEUQUIERES, FRANCE

[74] WHD Ltd. (Attention to Fiona Ko)

Room 902, 9/F, Qualipak Tower No.

121-122 Connaught Road West Hong

Kong



---

[11] 1802328.7M001

[15] 27-11-2018

[51] Cl. 21-01

[54] 玩具電子暴龍

Toy electronic tyrannosaurus rex

[73] 集美塑膠玩具製品廠有限公司

CHAP MEI PLASTIC TOYS MANUFACTORY LIMITED

Unit 541, 5/F., Sino Industrial Plaza,

9 Kai Cheung Road, Kowloon Bay,

Kowloon, Hong Kong

[74] BENNY KONG & TSAI

Unit 19B, Overseas Trust Bank Building,

No. 160 Gloucester Road, Wanchai,

Hong Kong.



---

[11] 1802328.7M002

[15] 27-11-2018

[51] Cl. 21-01

[54] 玩具暴龍

Toy tyrannosaurus rex

[73] 集美塑膠玩具製品廠有限公司

CHAP MEI PLASTIC TOYS MANUFACTORY LIMITED  
Unit 541, 5/F., Sino Industrial Plaza,  
9 Kai Cheung Road, Kowloon Bay,  
Kowloon, Hong Kong

[74] BENNY KONG & TSAI

Unit 19B, Overseas Trust Bank Building,  
No. 160 Gloucester Road, Wanchai,  
Hong Kong.



---

[11] 1802328.7M003

[15] 27-11-2018

[51] Cl. 21-01

[54] 玩具戰機

Toy fighter jet

[73] 集美塑膠玩具製品廠有限公司

CHAP MEI PLASTIC TOYS MANUFACTORY LIMITED  
Unit 541, 5/F., Sino Industrial Plaza,  
9 Kai Cheung Road, Kowloon Bay,  
Kowloon, Hong Kong



- [74] BENNY KONG & TSAI  
Unit 19B, Overseas Trust Bank Building,  
No. 160 Gloucester Road, Wanchai,  
Hong Kong.



---

[11] 1802328.7M004

[15] 27-11-2018

[51] Cl. 21-01

[54] 玩具燈籠魚

Toy lantern fish

[73] 集美塑膠玩具製品廠有限公司

CHAP MEI PLASTIC TOYS MANUFACTORY LIMITED

Unit 541, 5/F., Sino Industrial Plaza,

9 Kai Cheung Road, Kowloon Bay,

Kowloon, Hong Kong

[74] BENNY KONG & TSAI

Unit 19B, Overseas Trust Bank Building,

No. 160 Gloucester Road, Wanchai,

Hong Kong.



---

[11] 1802328.7M005

[15] 27-11-2018

[51] Cl. 21-01

[54] 玩具細垃圾車

Toy small garbage truck

[73] 集美塑膠玩具製品廠有限公司

CHAP MEI PLASTIC TOYS MANUFACTORY LIMITED  
Unit 541, 5/F., Sino Industrial Plaza,  
9 Kai Cheung Road, Kowloon Bay,  
Kowloon, Hong Kong

[74] BENNY KONG & TSAI

Unit 19B, Overseas Trust Bank Building,  
No. 160 Gloucester Road, Wanchai,  
Hong Kong.



---

[11] 1802328.7M006

[15] 27-11-2018

[51] Cl. 21-01

[54] 玩具無人機

Toy drone

[73] 集美塑膠玩具製品廠有限公司

CHAP MEI PLASTIC TOYS MANUFACTORY LIMITED  
Unit 541, 5/F., Sino Industrial Plaza,  
9 Kai Cheung Road, Kowloon Bay,  
Kowloon, Hong Kong

[74] BENNY KONG & TSAI

Unit 19B, Overseas Trust Bank Building,  
No. 160 Gloucester Road, Wanchai,  
Hong Kong.



---

[11] 1802328.7M007

[15] 27-11-2018

[51] Cl. 21-01

[54] 玩具鐵柵卡車

Toy jail truck

[73] 集美塑膠玩具製品廠有限公司

CHAP MEI PLASTIC TOYS MANUFACTORY LIMITED

Unit 541, 5/F., Sino Industrial Plaza,

9 Kai Cheung Road, Kowloon Bay,

Kowloon, Hong Kong

[74] BENNY KONG & TSAI

Unit 19B, Overseas Trust Bank Building,

No. 160 Gloucester Road, Wanchai,

Hong Kong.



---

[11] 1802328.7M008

[15] 27-11-2018

[51] Cl. 21-01

[54] 玩具直昇機

Toy chopper

[73] 集美塑膠玩具製品廠有限公司

CHAP MEI PLASTIC TOYS MANUFACTORY LIMITED

Unit 541, 5/F., Sino Industrial Plaza,

9 Kai Cheung Road, Kowloon Bay,

Kowloon, Hong Kong

[74] BENNY KONG & TSAI

Unit 19B, Overseas Trust Bank Building,

No. 160 Gloucester Road, Wanchai,

Hong Kong.



---

[11] 1802328.7M009

[15] 27-11-2018

[51] Cl. 21-01

[54] 玩具吉普車連捕籠

Toy Jeep with catcher

[73] 集美塑膠玩具製品廠有限公司

CHAP MEI PLASTIC TOYS MANUFACTORY LIMITED

Unit 541, 5/F., Sino Industrial Plaza,

9 Kai Cheung Road, Kowloon Bay,

Kowloon, Hong Kong

[74] BENNY KONG & TSAI

Unit 19B, Overseas Trust Bank Building,

No. 160 Gloucester Road, Wanchai,

Hong Kong.



---

[11] 1802331.3M001

[15] 28-11-2018

[30] 28-05-2018 / KR / 30-2018-0024616

[51] Cl. 24-02

[54] 齶擴張器具

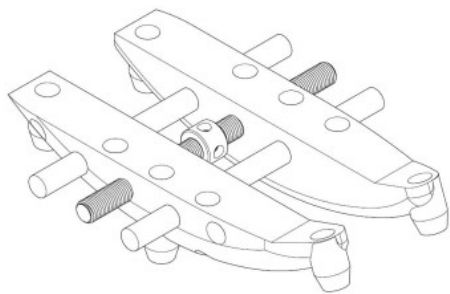
Palatal expansion appliances

[73] 文聖喆

MOON, Sung Chul  
F-2502, 56,  
EONJU-RO 30-GIL GANGNAM-GU,  
SEOUL 06294, KOREA, REPUBLIC OF

[74] China Patent Agent (H.K.) Ltd.

22/F, Great Eagle Centre,  
23 Harbour Road, Wanchai,  
Hong Kong.



---

[11] 1802331.3M002

[15] 28-11-2018

[51] Cl. 24-02

[54] 齶擴張器具

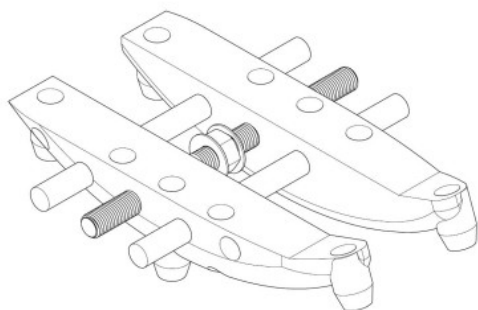
Palatal expansion appliances

[73] 文聖喆

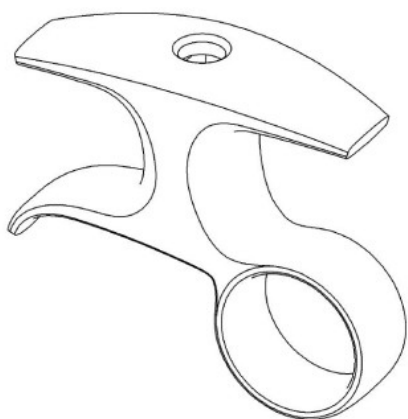
MOON, Sung Chul  
F-2502, 56,  
EONJU-RO 30-GIL GANGNAM-GU,  
SEOUL 06294, KOREA, REPUBLIC OF

[74] China Patent Agent (H.K.) Ltd.

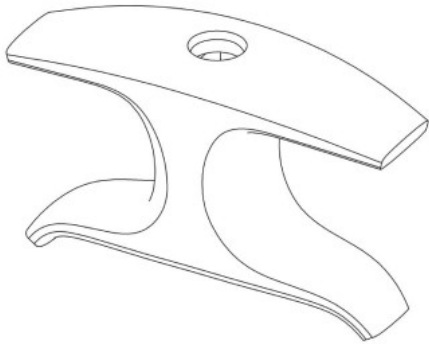
22/F, Great Eagle Centre,  
23 Harbour Road, Wanchai,  
Hong Kong.



- [11] 1802332.5M001  
[15] 28-11-2018  
[30] 01-06-2018 / KR / 30-2018-0025544  
[51] Cl. 24-02  
[54] 注射筒柄  
Syringe handle  
[73] BIDENSYA Co., Ltd.  
2F, 49, Donggyo-ro,  
Mapo-gu, Seoul,  
Korea, Republic of  
[74] Rouse & Co International (Overseas) Limited  
18/F., Golden Centre,  
188 Des Voeux Road Central,  
Hong Kong.



- 
- [11] 1802332.5M002  
[15] 28-11-2018  
[30] 01-06-2018 / KR / 30-2018-0025545  
[51] Cl. 24-02  
[54] 注射筒柄  
Syringe handle  
[73] BIDENSYA Co., Ltd.  
2F, 49, Donggyo-ro,  
Mapo-gu, Seoul,  
Korea, Republic of  
[74] Rouse & Co International (Overseas) Limited  
18/F., Golden Centre,  
188 Des Voeux Road Central,  
Hong Kong.



---

[11] 1802340.2

[15] 28-11-2018

[30] 29-05-2018 / AU / 201813188

[51] Cl. 3-01

[54] 安全挎包

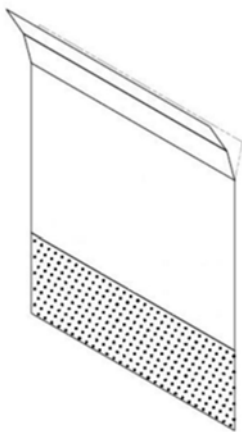
Security satchel

[73] RollsPack Pty Ltd

157-161 Woodlands Drive Braeside Victoria 3195,  
AUSTRALIA

[74] Fairbairn Catley Low & Kong

23/F., Shui On Centre,  
6-8 Harbour Road, Wanchai,  
HONG KONG



---

[11] 1802352.7

[15] 28-11-2018

[51] Cl. 21-01

[54] 玩具太空工程車

Toy space construction car

[73] 汕頭市嘉百樂嬰童用品有限公司

中國內地廣東省汕頭市

澄海區蓮下鎮 李厝宮內洲工

業區

[74] 天標知識產權代理有限公司

香港九龍尖沙咀

加連威老道 14 號 加連威

大廈 4 樓 A 座



---

[11] 1802353.9

[15] 29-11-2018

[30] 18-06-2018 / EM, JP, NO, KR, SG, CH / DM/101 708

[51] Cl. 7-01

[54] 茶壺

Teapot

[73] Pi-Design AG

Kantonsstrasse 100,

CH-6234 Triengen,

SWITZERLAND

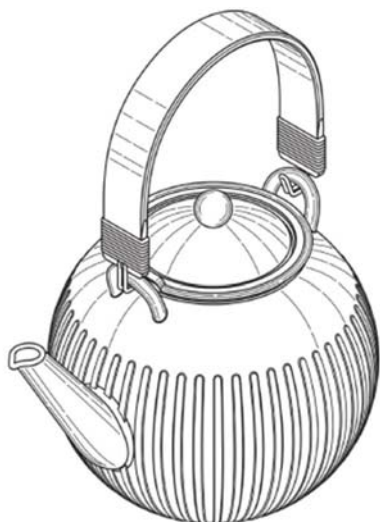
[74] WENPING & CO.

1701 Tung Wai Commercial Building,

111 Gloucester Road,

Hong Kong.





---

[11] 1802356.6

[15] 29-11-2018

[30] 13-07-2018 / EM, JP, NO, KR, SG, CH / DM/102 405

[51] Cl. 7-02

[54] 咖啡機的蓋

Lid for coffee machines

[73] Pi-Design AG

Kantonsstrasse 100,

CH-6234 Triengen,

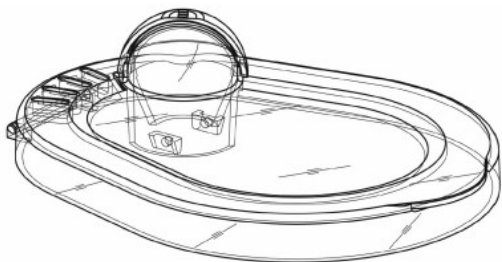
SWITZERLAND

[74] WENPING & CO.

1701 Tung Wai Commercial Building,

111 Gloucester Road,

Hong Kong.



---

[11] 1802366.7

[15] 30-11-2018

[51] Cl. 16-06

[54] 太陽眼鏡

Sunglasses

[73] CHRISTIAN DIOR COUTURE

30 Avenue Montaigne,  
75008 Paris,  
FRANCE

[74] Wilkinson & Grist

6th Floor, Prince's Building,  
Chater Road,  
Hong Kong.



---

[11] 1802370.5

[15] 30-11-2018

[51] Cl. 3-01

[54] 電子裝置及配件用整理袋

Stuff bag for electronic devices and accessories

[73] Design Pool Limited

2/F, East Town Building,  
41 Lockhart Road,  
Wanchai, Hong Kong

[74] Design Pool Limited

2/F, East Town Building,  
41 Lockhart Road,  
Wanchai, Hong Kong



---

[11] 1802371.7

[15] 30-11-2018

[30] 12-06-2018 / WO / DM/101 737

[51] Cl. 9-01

[54] 天使形狀瓶子

Bottle in the shape of an angel

[73] HET DRINKS SA

L'Opradifon,  
Route des Echertesses 3961,  
3961 Chandolin, Switzerland

[74] IPMS CONSULTANTS LIMITED

UNIT 2004B, 20/F, TOWER 5, CHINA HONG KONG CITY,  
33 CANTON ROAD, TSIM SHA TSUI,  
KOWLOON, HONG KONG



[11] 1802375.6

[15] 03-12-2018

[30] 20-06-2018 / CN / 201830317356.7

[51] Cl. 15-99

[54] 機器人

Robot

[73] 北京京東尚科信息技術有限公司

Beijing JingDong ShangKe Information Technology Co., Ltd.

The western 1-4th floors & the eastern 1-4th floors, Building  
No.11,

the fourth district of West Cedar Creative Park, Xingshikou  
Road No.65,

Haidian District, Beijing 100195, CHINA

北京京東世紀貿易有限公司

Beijing Jingdong Century Trading Co., Ltd.

Room 201, 2/F, Block C, No.18 Kechuang 11 Street,

Economic and Technological Development Zone,

Beijing 100176, CHINA

[74] MARKS & CLERK

Level 9, Cyberport 1,

100 Cyberport Road,

Pok Fu Lam, Hong Kong.



---

[11] 1802380.6M001

[15] 03-12-2018

[30] 04-06-2018 / CN / 201830274358.2

[51] Cl. 14-02

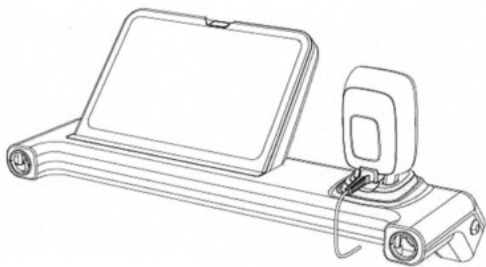
[54] 自助結算平台

Self-service settlement platform

[73] Beijing JingDong ShangKe Information Technology Co, Ltd.  
The western 1-4th floors & the eastern 1-4th floors,  
Building NO.11, the fourth district of West Cedar Creative  
Park,  
Xingshikou Road NO.65, Haidian District, Beijing CHINA

Beijing Jingdong Century Trading Co.,Ltd.  
Room201, 2/F, Block C, No.18 Kechuang 11 street,  
Economic and Technological Development Zone,  
Beijing CHINA.

[74] China Sinda Intellectual Property Ltd.  
Suite 3301, One Exchange Square,  
8 Connaught Place, Central,  
Hong Kong



---

[11] 1802380.6M002

[15] 03-12-2018

[30] 04-06-2018 / CN / 201830274358.2

[51] Cl. 14-02

[54] 自助結算平台

Self-service settlement platform

[73] Beijing JingDong ShangKe Information Technology Co, Ltd.  
The western 1-4th floors & the eastern 1-4th floors,  
Building NO.11, the fourth district of West Cedar Creative  
Park,  
Xingshikou Road NO.65, Haidian District, Beijing CHINA

Beijing Jingdong Century Trading Co.,Ltd.  
Room201, 2/F, Block C, No.18 Kechuang 11 street,  
Economic and Technological Development Zone,  
Beijing CHINA.

[74] China Sinda Intellectual Property Ltd.  
Suite 3301, One Exchange Square,  
8 Connaught Place, Central,  
Hong Kong



---

[11] 1802381.8M001

[15] 03-12-2018

[51] Cl. 12-07

[54] 無人機

Drone

[73] 深圳市大疆創新科技有限公司

中國內地廣東省深圳市南山區

高新區南區粵興一道9號

香港科大深圳產學研大樓6樓

[74] 港智國際知識產權代理有限公司

香港屯門

震寰路3號

德榮工業大廈20字樓B6室



---

[11] 1802381.8M002

[15] 03-12-2018

[51] Cl. 12-07

[54] 無人機

Drone

[73] 深圳市大疆創新科技有限公司

中國內地廣東省深圳市南山區

高新區南區粵興一道 9 號  
香港科大深圳產學研大樓 6 樓

[74] 港智國際知識產權代理有限公司  
香港屯門  
震寰路 3 號  
德榮工業大廈 20 字樓 B6 室



---

[11] 1802382.0M001

[15] 03-12-2018

[51] C1. 12-07

[54] 無人機

Drone

[73] 深圳市大疆創新科技有限公司  
中國內地廣東省深圳市南山區  
高新區南區粵興一道 9 號  
香港科大深圳產學研大樓 6 樓

[74] 港智國際知識產權代理有限公司  
香港屯門  
震寰路 3 號  
德榮工業大廈 20 字樓 B6 室



---

[11] 1802382.0M002

[15] 03-12-2018

[51] Cl. 12-07

[54] 無人機

Drone

[73] 深圳市大疆創新科技有限公司

中國內地廣東省深圳市南山區

高新區南區粵興一道 9 號

香港科大深圳產學研大樓 6 樓

[74] 港智國際知識產權代理有限公司

香港屯門

震寰路 3 號

德榮工業大廈 20 字樓 B6 室



---

[11] 1802384.4

[15] 03-12-2018

[51] Cl. 10-07

[54] 個人定制化腕表錶盤

Personalized wrist watch dial

[73] 雷炳森

香港九龍塘

范信達道 4 號 真能閣一

期 2 字樓 F 室

[74] 江炳滔律師事務所

香港灣仔

告士打道 160 號 海外信託銀

行大廈 19 樓 B 室





---

[11] 1802386.9

[15] 04-12-2018

[51] Cl. 3-01

[54] 背包

Backpack

[73] 廣東恩典皮具服飾科技股份有限公司

Endian(Guangdong) Leather Goods & Fashion Technology Corporation

中國內地廣東省

東莞市茶山鎮 栗邊村裕

南路

[74] 中國專利代理(香港)有限公司

香港灣仔

港灣道 23 號

鷹君中心 22 字樓



---

[11] 1802396.0

[15] 06-12-2018

[51] Cl. 19-06

[54] 標記筆

Marking pen

[73] ADGER KOGYO CO., LTD.

5-43-9, SEZAKI,

SOKA-SHI, SAITAMA-KEN,

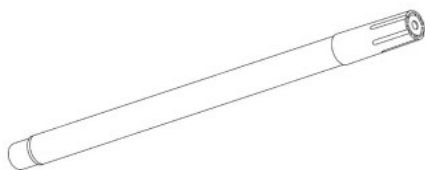
JAPAN

[74] China Patent Agent (H.K.) Ltd.

22/F, Great Eagle Centre,

23 Harbour Road, Wanchai,

Hong Kong.



---

[11] 1802397.2M001

[15] 06-12-2018

[51] Cl. 11-01

[54] 戒指

Ring

[73] POUR LA VIE INTERNATIONAL LIMITED

香港銅鑼灣

希慎道 18 號

利園 5 期 1401B 室

[74] Pour La Vie International Limited

香港銅鑼灣

希慎道 18 號

利園 5 期 1401B 室



- [11] 1802397.2M002  
[15] 06-12-2018  
[51] Cl. 11-01  
[54] 戒指  
Ring  
[73] POUR LA VIE INTERNATIONAL LIMITED  
香港銅鑼灣  
希慎道 18 號  
利園 5 期 1401B 室  
[74] Pour La Vie International Limited  
香港銅鑼灣  
希慎道 18 號  
利園 5 期 1401B 室



- 
- [11] 1802398.4  
[15] 06-12-2018  
[30] 03-09-2018 / CN / 201830492630.4  
[51] Cl. 10-05  
[54] 雷電防護裝置  
Lightning protection device  
[73] EquiVolt M Pte Ltd  
Galaxis@One North, 1 Fusionopolis Place,  
#03-20 Galaxis, Singapore 138522,  
SINGAPORE  
[74] Robin Bridge & John Liu  
6th Floor, Emperor Commercial Centre,  
39 Des Voeux Road Central,  
Hong Kong.



---

[11] 1802411.3

[15] 07-12-2018

[51] Cl. 26-05

[54] 流動夜燈

Portable night light

[73] 盧佩盈

Lou Pui Ying

香港將軍澳 厚德邨德康

樓 304 室

[74] 盧佩盈

香港將軍澳 厚德邨德康

樓 304 室



---

[11] 1802431.5

[15] 11-12-2018

[51] Cl. 9-03

[54] 維他命包裝盒

Vitamin packaging box

[73] 樂天藥粧

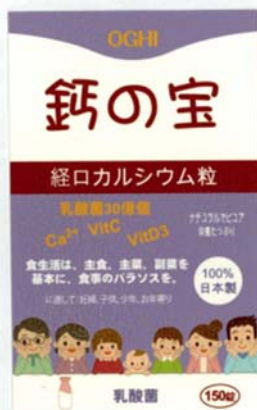
LOTTE HOLDINGS LIMITED

香港新界上水 新發街 32 號地下

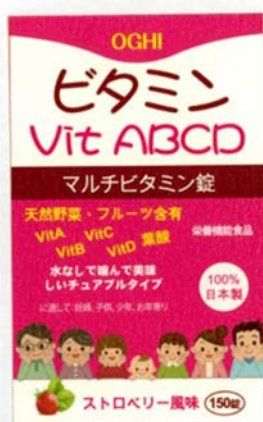
- [74] 樂天藥粧  
香港新界上水 新發街 32 號地下



- [11] 1802432.7
- [15] 11-12-2018
- [51] Cl. 9-03
- [54] 鈣片包裝盒  
Calcium tablets packaging box
- [73] LOTTE HOLDINGS LIMITED  
香港新界上水 新發街 32 號地下
- [74] 樂天藥粧  
香港新界上水 新發街 32 號地下



- [11] 1802433.9  
[15] 11-12-2018  
[51] Cl. 9-03  
[54] 維他命包裝盒  
Vitamin packaging box  
[73] LOTTE HOLDINGS LIMITED  
香港新界上水 新發街 32 號地下  
[74] 樂天藥粧  
香港新界上水 新發街 32 號地下



- 
- [11] 1802475.8  
[15] 17-12-2018  
[51] Cl. 9-03  
[54] 包裝盒  
Packaging box  
[73] 華人藥業(香港)有限公司  
香港九龍觀塘  
開源道 60 號 駱駝漆大廈(第三座)七  
樓 Q 室  
[74] 華人藥業(香港)有限公司  
香港九龍觀塘  
開源道 60 號 駱駝漆大廈(第三座)七  
樓 Q 室



[11] 1802557.3

[15] 28-12-2018

[30] 29-06-2018 / EM / 005332020-0002

[51] Cl. 10-04

[54] 酒精測試儀

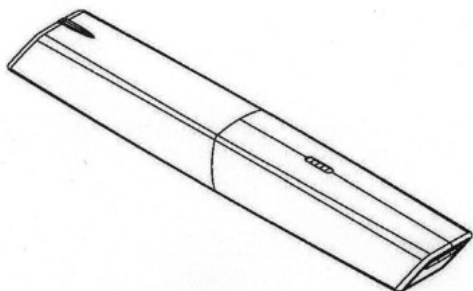
Breathalyzer

[73] Olythe

Les Méridiens - Bât B, 240,  
Rue Louis de Broglie,  
13100 AIX EN PROVENCE, FRANCE

[74] Nozo International Intellectual Property Co., Ltd

9B, Cheong Tai Commercial Building,  
66 Wing Lok Street, Sheung Wan,  
Hong Kong.



[11] 1900046.8

[15] 09-01-2019

[30] 21-11-2018 / CN / 201830661695.7

[51] Cl. 28-03

[54] 瘦身儀

Body shaping instrument

[73] LINKS COMPANY LIMITED

CAPITALCOAT 1F, MIDORI CHOU 4-7-14,  
TOKOROZAWA SI, SAITAMA KEN, 359-1111,  
JAPAN

[74] Hu Shek Mo

Room 602, Chuang's Tower  
30-32 Connaught Road Central  
HONG KONG



---

[11] 1900093.6M001

[15] 15-01-2019

[51] Cl. 3-01

[54] 行李箱

Luggage

[73] Samsonite IP Holdings S.à r.l.

13-15 avenue de la Liberté,  
L-1931 Luxembourg,  
LUXEMBOURG

[74] Wilkinson & Grist

6th Floor, Prince's Building,  
Chater Road,  
Hong Kong.





---

[11] 1900093.6M002

[15] 15-01-2019

[51] Cl. 3-01

[54] 行李箱

Luggage

[73] Samsonite IP Holdings S.à r.l.

13-15 avenue de la Liberté,

L-1931 Luxembourg,

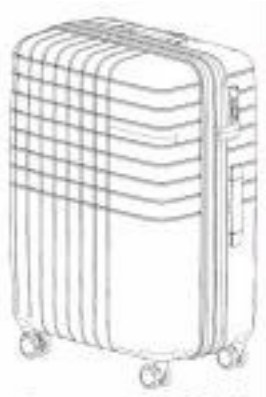
LUXEMBOURG

[74] Wilkinson & Grist

6th Floor, Prince's Building,

Chater Road,

Hong Kong.



---

[11] 1900093.6M003

[15] 15-01-2019

[51] Cl. 3-01

[54] 行李箱

Luggage

[73] Samsonite IP Holdings S.à r.l.

13-15 avenue de la Liberté,

L-1931 Luxembourg,

LUXEMBOURG

[74] Wilkinson & Grist

6th Floor, Prince's Building,

Chater Road,

Hong Kong.



---

[11] 1900093.6M004

[15] 15-01-2019

[51] Cl. 3-01

[54] 行李箱

Luggage

[73] Samsonite IP Holdings S.à r.l.

13-15 avenue de la Liberté,

L-1931 Luxembourg,

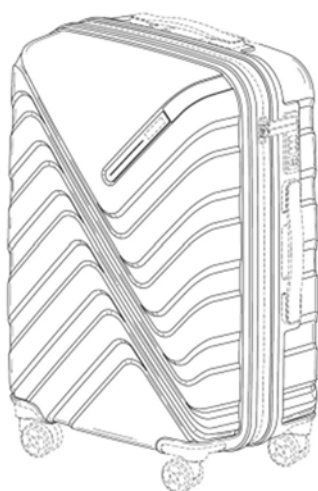
LUXEMBOURG

[74] Wilkinson & Grist

6th Floor, Prince's Building,

Chater Road,

Hong Kong.



---

[11] 1900094.8

[15] 15-01-2019

[51] Cl. 9-03

[54] 包裝盒

Packaging box

[73] Kingsmart International Enterprise Limited  
Unit 21, 4/F, Block B, Focal Industrial Centre,  
21 Man Lok Street, Hung Hom,  
Kowloon, Hong Kong

[74] Accolade IP Limited  
Room 702, 7/F.,  
Fu Fai Commercial Centre,  
27 Hillier Street, Hong Kong.



---

[11] 1900095.1

[15] 15-01-2019

[51] Cl. 16-01

[54] 數碼相機

Digital camera

[73] Kingsmart International Enterprise Limited  
Unit 21, 4/F, Block B, Focal Industrial Centre,  
21 Man Lok Street, Hung Hom,  
Kowloon, Hong Kong

[74] Accolade IP Limited  
Room 702, 7/F.,  
Fu Fai Commercial Centre,  
27 Hillier Street, Hong Kong.



---

[11] 1900096.3

[15] 15-01-2019

[51] Cl. 14-01

[54] 豹子耳機

Leopard headphones

[73] 谷曉鳳

中國內地廣東省深圳市  
南山區科技园瓊宇路7號  
桑達苑2棟402

[74] 香港知識產權代理有限公司

香港新界白石角 香港科學  
園第三期

科技大道西12號2樓230室



[11] 1900098.7M001

[15] 15-01-2019

[51] Cl. 11-01

[54] 耳環扣

Earring clasp

[73] SURANA BROTHERS IP HOLDINGS LIMITED

Unit 2, 11/F., Tower B,

Hung Hom Commercial Centre,

37 Ma Tau Wai Road, Hunghom, Kowloon, Hong Kong

[74] CHAN, TANG & KWOK

Rooms 2503-04, 25/F.,

Shanghai Industrial Investment Building,

48-62 Hennessy Road, Wanchai, Hong Kong.



---

[11] 1900098.7M002

[15] 15-01-2019

[51] Cl. 11-01

[54] 耳環扣

Earring clasp

[73] SURANA BROTHERS IP HOLDINGS LIMITED

Unit 2, 11/F., Tower B,

Hung Hom Commercial Centre,

37 Ma Tau Wai Road, Hunghom, Kowloon, Hong Kong

[74] CHAN, TANG & KWOK

Rooms 2503-04, 25/F.,

Shanghai Industrial Investment Building,

48-62 Hennessy Road, Wanchai, Hong Kong.



---

[11] 1900100.3

[15] 17-01-2019

[51] Cl. 9-05

[54] 包裝用袋

Packaging bag

[73] KRACIE HOME PRODUCTS, LTD.

20-20, Kaigan 3-chome,

Minato-ku, 108-0022, Tokyo,

JAPAN

[74] UNION PATENT SERVICE CENTRE

Units E-F, 20th Floor, Neich Tower,

128 Gloucester Road,

Hong Kong.



---

[11] 1900101.5

[15] 17-01-2019

[51] Cl. 9-05

[54] 包裝用袋

Packaging bag

[73] KRACIE HOME PRODUCTS, LTD.

20-20, Kaigan 3-chome,

Minato-ku, 108-0022, Tokyo,  
JAPAN

- [74] UNION PATENT SERVICE CENTRE  
Units E-F, 20th Floor, Neich Tower,  
128 Gloucester Road,  
Hong Kong.



---

[11] 1900102.7

[15] 17-01-2019

[51] Cl. 9-03

[54] 包裝用盒  
Packaging box

[73] KRACIE HOME PRODUCTS, LTD.  
20-20, Kaigan 3-chome,  
Minato-ku, 108-0022, Tokyo,  
JAPAN

[74] UNION PATENT SERVICE CENTRE  
Units E-F, 20th Floor, Neich Tower,  
128 Gloucester Road,  
Hong Kong.



---

[11] 1900103.9

[15] 17-01-2019

[51] Cl. 9-03

[54] 包裝用盒

Packaging box

[73] KRACIE HOME PRODUCTS, LTD.

20-20, Kaigan 3-chome,  
Minato-ku, 108-0022, Tokyo,  
JAPAN

[74] UNION PATENT SERVICE CENTRE

Units E-F, 20th Floor, Neich Tower,  
128 Gloucester Road,  
Hong Kong.



---

[11] 1900104.1

[15] 17-01-2019

[51] Cl. 23-04

[54] 香薰機

Aroma diffuser

[73] Bloomy Lotus Ltd

Unit 4711, 47/F., The Center,  
99 Queen's Road Central,  
Central, Hong Kong

[74] FEDERATION OF HONG KONG INDUSTRIES

31/F, BILLION PLAZA,  
8 CHEUNG YUE STREET,  
CHEUNG SHA WAN , KOWLOON, HONG KONG





---

[11] 1900105.4

[15] 17-01-2019

[51] Cl. 23-04

[54] 香薰機

Aroma diffuser

[73] Bloomy Lotus Ltd

Unit 4711, 47/F., The Center,

99 Queen's Road Central,

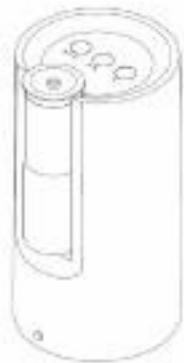
Central, Hong Kong

[74] FEDERATION OF HONG KONG INDUSTRIES

31/F, BILLION PLAZA,

8 CHEUNG YUE STREET,

CHEUNG SHA WAN , KOWLOON, HONG KONG



---

[11] 1900106.6

[15] 17-01-2019

[30] 24-07-2018 / US / 29/657,614

[51] Cl. 22-06

[54] 滅蟲裝置

Pest deterrent device

[73] Telebrands Corp.  
79 Two Bridges Road, Fairfield,  
New Jersey 07004,  
UNITED STATES

[74] Spruson & Ferguson (Hong Kong) Limited  
5001 Hopewell Centre,  
183 Queen's Road East,  
Hong Kong.



---

[11] 1900108.0

[15] 17-01-2019

[51] Cl. 21-01

[54] 玩具槍的瞄準器  
Toy gun sight

[73] Buzz Bee Toys (HK) Co., Limited  
Units 1206-1208, Tower B, New Mandarin Plaza,  
14 Science Museum Road, Tsim Sha Tsui East,  
Kowloon, Hong Kong

[74] INCOMPASS IP LIMITED  
532B, 5/F, Core Building 2, Phase One,  
Hong Kong Science Park, Pak Shek Kok, HONG KONG  
HONG KONG



- [11] 1900114.2  
[15] 18-01-2019  
[30] 20-07-2018 / JP / 015935 of 2018  
[51] Cl. 9-03  
[54] 包裝盒  
Packaging box  
[73] Kao Kabushiki Kaisha (Kao Corporation)  
14-10, Nihonbashi Kayabacho 1-chome,  
Chuo-ku, Tokyo 103-8210  
Japan  
[74] Oriental Intellectual Property Services Co.  
Flat B, 38F, South Tower 3,  
Phase 2, Residence Bel-Air, Island South  
Hong Kong



- 
- [11] 1900116.7  
[15] 18-01-2019  
[51] Cl. 1-99  
[54] 巧克力形茶磚  
Chocolate shaped tea brick  
[73] HAO YIN TEA (HONG KONG) COMPANY LIMITED  
香港 九龍觀塘  
成業工業大廈 1 樓 27 室  
[74] HAO YIN TEA (HONG KONG) COMPANY LIMITED  
香港 九龍觀塘  
成業工業大廈 1 樓 27 室



---

[11] 1900130.6

[15] 21-01-2019

[51] Cl. 26-05

[54] 帶有藍牙音箱的發光二極管照明設備

LED lighting device with bluetooth sound box

[73] 上海智匯電器有限公司

AEC Lighting Solutions Co., Ltd

中國內地上海市嘉定區 馬陸

鎮寶安公路 2548 號

郵編 201801

[74] 中港專利有限公司

香港港灣道 1 號

會展廣場辦公大樓

30 樓 3012 室



---

[11] 1900132.0

[15] 22-01-2019

[51] Cl. 3-01

[54] 豬形存錢罐

Piggy coin bank

[73] 誠朗有限公司

Honest Long Limited

香港上環

水坑口街 26 號地下

[74] 栢珍妮策劃有限公司

香港上環

德輔道中 199 號

無限極廣場 12 樓



---

[11] 1900133.2

[15] 22-01-2019

[51] Cl. 9-03

[54] 包裝用盒

Packaging box

[73] KRACIE HOME PRODUCTS, LTD.

20-20, Kaigan 3-chome,

Minato-ku, 108-0022, Tokyo,

Japan

[74] UNION PATENT SERVICE CENTRE

Units E-F, 20th Floor, Neich Tower,

128 Gloucester Road,

Hong Kong.



---

[11] 1900134.4M001

[15] 22-01-2019

[51] Cl. 10-02

[54] 智能腕錶

Smart watch

[73] SYNERGY TECHNOLOGIES LIMITED  
7/F Kin On Commercial Buliding,  
49-51 Jervois Street  
Sheung Wan, Hong Kong

[74] SYNERGY TECHNOLOGIES LIMITED  
7/F Kin On Commercial Buliding,  
49-51 Jervois Street  
Sheung Wan, Hong Kong



---

[11] 1900134.4M002

[15] 22-01-2019

[51] Cl. 10-02

[54] 智能腕錶

Smart watch

[73] SYNERGY TECHNOLOGIES LIMITED  
7/F Kin On Commercial Buliding,

49-51 Jervois Street  
Sheung Wan, Hong Kong

[74] SYNERGY TECHNOLOGIES LIMITED  
7/F Kin On Commercial Buliding,  
49-51 Jervois Street  
Sheung Wan, Hong Kong



---

[11] 1900134.4M003

[15] 22-01-2019

[51] Cl. 10-02

[54] 智能腕錶

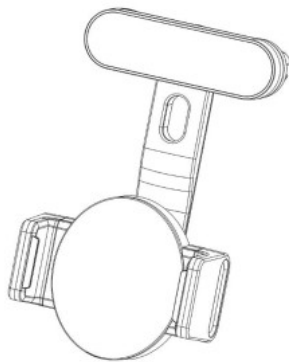
Smart watch

[73] SYNERGY TECHNOLOGIES LIMITED  
7/F Kin On Commercial Buliding,  
49-51 Jervois Street  
Sheung Wan, Hong Kong

[74] SYNERGY TECHNOLOGIES LIMITED  
7/F Kin On Commercial Buliding,  
49-51 Jervois Street  
Sheung Wan, Hong Kong

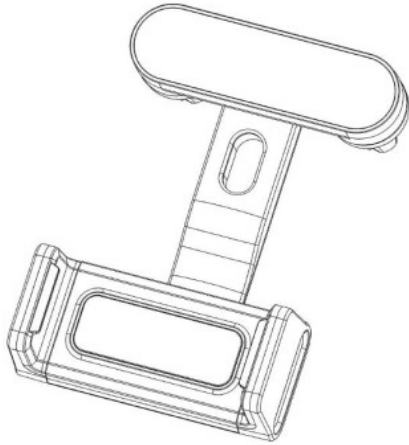


- [11] 1900137.1  
[15] 22-01-2019  
[30] 25-10-2018 / CN / 201830599359.4  
[51] Cl. 14-99  
[54] 車載手機支架  
Car wireless charging stand  
[73] 杰美泰實業(深圳)有限公司  
中國內地廣東省深圳市寶安區  
沙井街道茅洲山工業園 工業大廈全至科技  
創新園科創大廈 14 層 G  
[74] 海思國際知識產權有限公司  
香港九龍  
旺角道 33 號  
凱途發展大廈 7 樓 04 室



- 
- [11] 1900138.3  
[15] 22-01-2019  
[30] 25-10-2018 / CN / 201830599359.4  
[51] Cl. 14-99  
[54] 車載手機支架  
Car phone holder  
[73] 杰美泰實業(深圳)有限公司 中國內地廣東省深圳市寶安區 沙井街道茅洲山工業園 工業大廈全至科技創新園科創大廈 14 層 G  
[74] 海思國際知識產權有限公司  
香港九龍  
旺角道 33 號  
凱途發展大廈 7 樓 04 室





---

[11] 1900142.1

[15] 22-01-2019

[51] Cl. 6-01

[54] 按摩椅

Massage chair

[73] KER Zi Yi

65 UBI AVENUE 1,  
SINGAPORE 408939,  
SINGAPORE

[74] BAKER & MCKENZIE

14th Floor, One Taikoo Place  
979 King's Road, Quarry Bay  
HONG KONG



---

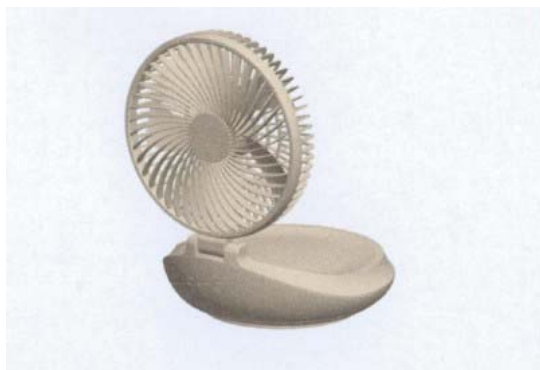
[11] 1900144.5

[15] 22-01-2019

- [51] Cl. 9-03
- [54] 包裝盒  
Packaging box
- [73] 康盟有限公司  
香港九龍尖沙咀  
廣東道 30 號  
新港中心一期 16 樓 1601 室
- [74] 卓遠知識產權有限公司  
香港上環  
禧利街 27 號  
富輝商業中心 7 樓 701-702 室



- 
- [11] 1900145.8
- [15] 22-01-2019
- [30] 20-12-2018 / CN / 201830743509.4
- [51] Cl. 3-04
- [54] 風扇  
Fan
- [73] 深圳市同創創精密電子有限公司  
中國內地深圳市 寶安區西鄉街  
道三圍  
華豐第一科技園 B 區一棟三樓、八樓北
- [74] 金信智權有限公司  
香港觀塘  
偉業街 221 號  
美德工業大廈 D 座 10/F 38 室



[11] 1900147.2

[15] 22-01-2019

[30] 21-09-2018 / CN / 201830533898.8

[51] Cl. 23-04

[54] 加濕器

Humidifier

[73] 深圳市同創創精密電子有限公司

中國內地深圳市 寶安區西鄉街

道三圍

華豐第一科技園 B 區一棟三樓、八樓北

[74] 金信智權有限公司

香港觀塘

偉業街 221 號

美德工業大廈 D 座 10/F 38 室



[11] 1900150.8

[15] 23-01-2019

[51] Cl. 3-01

[54] 背包

Backpack

[73] BrandCharger Limited

Flat H, 7/F, Mai Luen Industrial Building,  
23 Kung Yip Street, Kwai Chung,  
Hong Kong

[74] CHINAHONGKONG IP LIMITED

3011, 30/F, Office Tower,  
Convention Plaza, 1 Harbour Road,  
Hong Kong.



---

[11] 1900152.2

[15] 23-01-2019

[30] 01-08-2018 / US / 29/658,559

[51] Cl. 13-03

[54] 旋轉電氣固定裝置

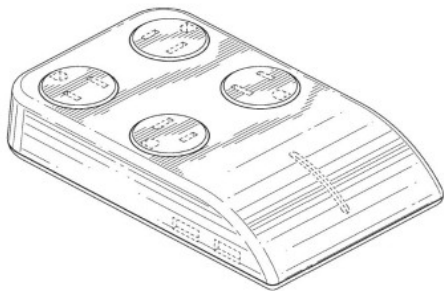
Rotating electrical fixture

[73] DaVinci II CSJ, LLC

79 Two Bridges Road,  
Fairfield, New Jersey 07004,  
UNITED STATES

[74] Spruson & Ferguson (Hong Kong) Limited

5001 Hopewell Centre,  
183 Queen's Road East,  
Wan Chai, Hong Kong.



---

[11] 1900155.9

[15] 23-01-2019

[51] Cl. 23-04

[54] 香薰機

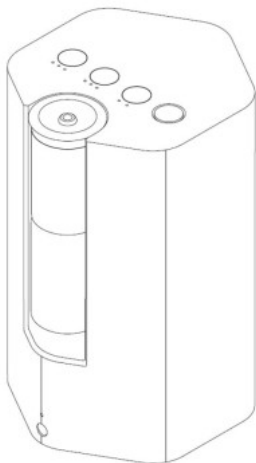
Aroma diffuser

[73] Bloomy Lotus Ltd

Unit 4711, 47/F., The Center,  
99 Queen's Road Central,  
Central, Hong Kong

[74] FEDERATION OF HONG KONG INDUSTRIES

31/F, BILLION PLAZA,  
8 CHEUNG YUE STREET,  
CHEUNG SHA WAN , KOWLOON, HONG KONG



---

[11] 1900156.1

[15] 23-01-2019

[30] 24-07-2018 / EU, MA, SG, CH, TR / DM/102 340

[51] Cl. 3-01

[54] 手提包

Handbag

[73] CARTIER INTERNATIONAL AG  
Hinterbergstrasse 22,  
6312 Steinhausen,  
SWITZERLAND

[74] WENPING & CO.  
1701 Tung Wai Commercial Building,  
111 Gloucester Road,  
Hong Kong.



---

[11] 1913081.6

[15] 25-02-2019

[30] 12-02-2019 / EM, CH, GB, TR / 970009834

[51] Cl. 21-01

[54] 玩具車

Toy vehicle

[73] Bugatti International S.A.  
412F route d'Esch,  
1030 Luxembourg  
LUXEMBOURG

[74] WENPING & CO  
1701 Tung Wai Commercial Building,  
111 Gloucester Road,  
HONG KONG



[11] 1913083.0

[15] 25-02-2019

[30] 27-09-2018 / TH / 1802004177

[51] Cl. 14-03

[54] 遙控器

Remote Controller

[73] Daikin Kohgyo Kabushiki Gaisha (Daikin Industries Ltd.)

Umeda Center Building, 4-12 Nakazaki-Nishi 2-chome, Kita-ku,  
Osaka-shi Osaka-fu  
JAPAN

DAIKIN INDUSTRIES (Thailand) LTD.

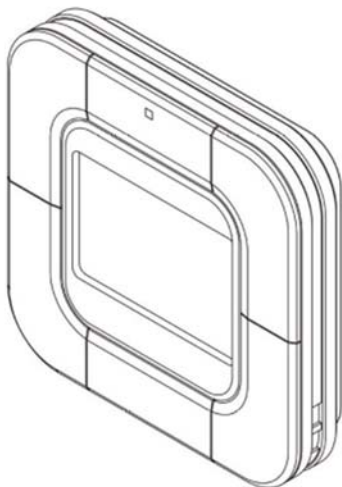
700/11, Amata Nakorn Industrial Estate, Bangna-Trad Road., Km.  
57, Tambol Klongtamru Ampure Muang Chonburi, 20000, THAILAND

[74] MARKS & CLERK

Level 9, Cyberport 1

100 Cyberport Road, Pok Fu Lam

HONG KONG



---

[11] 1913162.8

[15] 07-03-2019

[30] 01-02-2019 / CN / 201930058852.X

[51] Cl. 13-02

[54] 充電盒

Charging box

[73] 深圳市雲動創想科技有限公司

NA

中國內地廣東省深廣州市 南山區粵海街道  
科技園科技路 9 號  
螞蟻邦創業加速中心 616 單元

[74] HK STANDARD INTELLECTUAL PROPERTY LIMITED  
香港  
中環幹諾道中 64 號  
中華廠商會大廈 21 樓



[11] 1913163.0

[15] 08-03-2019

[30] 12-09-2018 / JP / 2018 of 019941

[51] C1. 23-01

[54] 水過濾器

Water filter

[73] TORAY INDUSTRIES, INC.

1-1, NIHONBASHI-MUROMACHI 2-CHOME, CHUO-KU,

TOKYO 103-8666

JAPAN

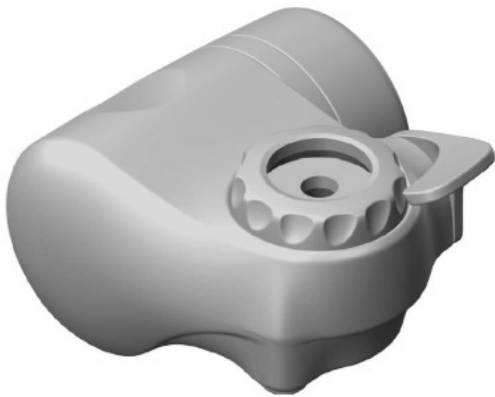
[74] CHINA PATENT AGENT (HONG KONG) LIMITED

22/F, Great Eagle Centre, 23 Harbour Road,

Wanchai

HONG KONG





---

[11] 1913165.5M001

[15] 08-03-2019

[30] 14-09-2018 / EM / 005641115

[51] Cl. 7-05

[54] 熨斗連蒸汽製造器

Iron with steam generator

[73] Koninklijke Philips N.V.

High Tech Campus 5,

5656 AE Eindhoven

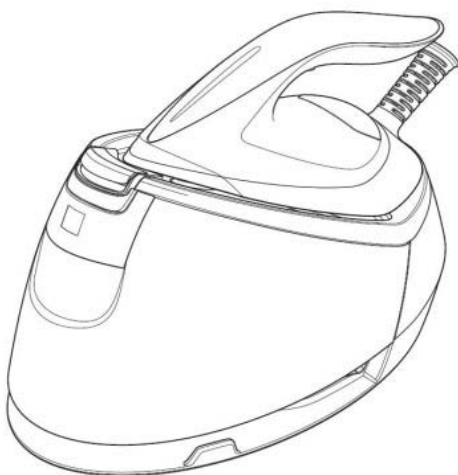
NETHERLANDS

[74] WILKINSON & GRIST

6th Floor, Prince's Building

Chater Road

HONG KONG



---

[11] 1913165.5M002

[15] 08-03-2019

[30] 14-09-2018 / EM / 005641115

[51] Cl. 7-05

[54] 熨斗的蒸汽製造器

Steam generator for iron

[73] Koninklijke Philips N.V.

High Tech Campus 5,

5656 AE Eindhoven

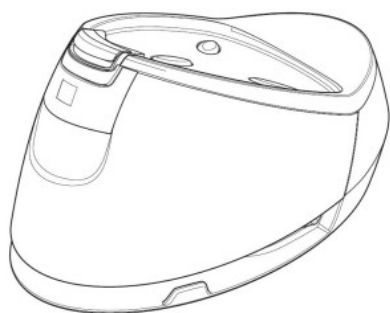
NETHERLANDS

[74] WILKINSON & GRIST

6th Floor, Prince's Building

Chater Road

HONG KONG



---

[11] 1913165.5M003

[15] 08-03-2019

[30] 14-09-2018 / EM / 005641115

[51] Cl. 7-05

[54] 蒸汽電熨斗

Electric steam iron

[73] Koninklijke Philips N.V.

High Tech Campus 5,

5656 AE Eindhoven

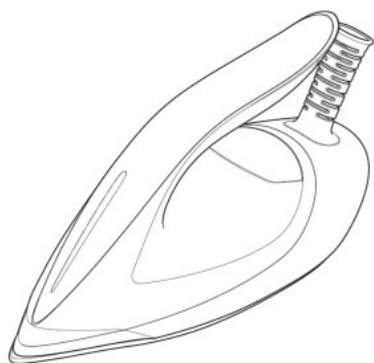
NETHERLANDS

[74] WILKINSON & GRIST

6th Floor, Prince's Building

Chater Road

HONG KONG



---

[11] 1913165.5M004

[15] 08-03-2019

[30] 14-09-2018 / EM / 005641115

[51] Cl. 7-05

[54] 熨斗連蒸汽製造器

Iron with steam generator

[73] Koninklijke Philips N.V.

High Tech Campus 5,

5656 AE Eindhoven

NETHERLANDS

[74] WILKINSON & GRIST

6th Floor, Prince's Building

Chater Road

HONG KONG



---

[11] 1913176.8

[15] 11-03-2019

[30] 16-11-2018 / JP / 2018 of 025082

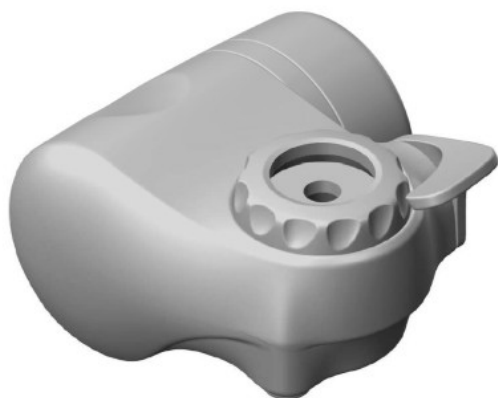
[51] Cl. 15-05

[54] 清潔機器人

Cleaning robot

[73] SoftBank Robotics Group Corp.  
1-9-2, Higashi-shimbashi,  
Minato-ku, Tokyo,  
JAPAN

[74] EMILY YIP & CO  
1st Floor, Kingsfield Centre  
18 Shell Street, Fortress Hill  
HONG KONG



---

[11] 1913241.6

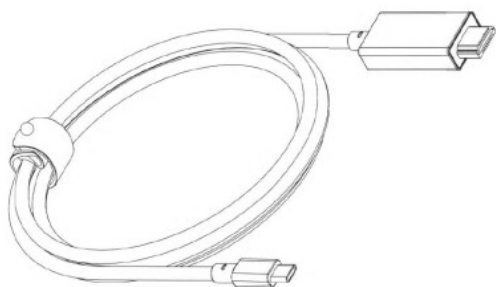
[15] 19-03-2019

[51] Cl. 13-03

[54] 三米高清晰多媒體接口線帶有 USB 輸入口的同步數據傳輸用電線連皮帶  
3-meter HDMI cable with USB input for synchronizing signal  
transfer with leather strap

[73] DESIGN POOL LIMITED  
2/F, Eastown Building  
41 Lockhart Road, Wanchai  
HONG KONG

[74] DESIGN POOL LIMITED  
2/F, Eastown Building  
41 Lockhart Road, Wanchai  
HONG KONG



[11] 1913242.8

[15] 19-03-2019

[51] Cl. 9-01

[54] 食品用包裝瓶

Packaging bottle for foodstuff

[73] 李錦記有限公司

Lee Kum Kee Company Limited

2-4 Dai Fat Street

Tai Po Industrial Estate, New Territories

HONG KONG

[74] Lee Kum Kee Company Limited

2-4 Dai Fat Street

Tai Po Industrial Estate, New Territories

HONG KONG



---

[11] 1913654.2

[15] 17-05-2019

[30] 19-11-2018 / EU / 005828076-0001

[51] Cl. 3-01

[54] 包

Bag

[73] TOD'S S.P.A.

VIA FILIPPO DELLA VALLE 1

I-63811 SANT'ELPIDIO A MARE (FERMO)

ITALY

[74] CHINA PATENT AGENT (HONG KONG) LIMITED

22/F, Great Eagle Centre, 23 Harbour Road, Wanchai

HONG KONG



---

[11] 1913728.0

[15] 24-05-2019

[30] 30-01-2019 / EU / 006123667-0001

[51] Cl. 15-05

[54] 吸塵機

Vacuum cleaner

[73] Pro-Aqua International GmbH

Technologiepark 6

91522 Ansbach

GERMANY

[74] HONG KONG INTELLECTUAL PROPERTY AGENT LIMITED

Unit 230, 2/F, Building 12W, No. 12 Science Park West Avenue,

Phase 3, Hong Kong Science Park, Pak Shek Kok, N.T.,

HONG KONG





香港特別行政區政府知識產權署外觀設計註冊處

The Government of the Hong Kong Special Administrative Region

Designs Registry, Intellectual Property Department

根據註冊外觀設計條例第28條，下列註冊外觀設計因未繳續期費而停止有效。各組記項按註冊外觀設計停止有效日期及註冊編號先後次序排列。

Registered designs ceased through non-payment of renewal fees under section 28 of the Registered Designs Ordinance. Entries are listed below under their expiry dates.

**14-06-2019 - 19-06-2019**

<b>14-06-2019</b>	1401137.7
0411322.9	1401138.9M004
0900952.7M001	1401139.1
0900952.7M002	
0900963.0	<b>18-06-2019</b>
0900966.7M001	1401142.7
0900966.7M002	1401143.9
0900970.5	
0900971.7	<b>19-06-2019</b>

<b>15-06-2019</b>	1401148.0
0411330.6	1401149.2M001
1401111.2	1401149.2M002
	1401149.2M003
	1401149.2M004

<b>16-06-2019</b>	1401149.2M005
0411351.0	1401149.2M006
0900980.6	1401154.2
0900981.8	1401158.1M001
1401116.3	1401158.1M002
1401117.5	1401158.1M003

<b>17-06-2019</b>	
0411356.1M001	
0411356.1M002	
0411356.1M003	
1401129.0M001	
1401129.0M002	
1401130.2M002	
1401130.2M003	
1401130.2M004	
1401130.2M005	
1401131.4	
1401132.6	
1401133.8	



香港特別行政區政府知識產權署外觀設計註冊處

The Government of the Hong Kong Special Administrative Region

Designs Registry, Intellectual Property Department

**根據註冊外觀設計規則第31條刪除的註冊外觀設計。各組記項按註冊外觀設計 刪除日期及註冊編號先後次序排列。**

**Registered designs removed under section 31 of the Registered Designs Rules. Entries are listed below under their removal dates.**

**22-06-2019 - 27-06-2019**

<b>22-06-2019</b>	1302243.1	0803015.3
0802951.6	1302244.3	0803016.5
	1302246.8	1302269.6
<b>23-06-2019</b>	1302250.6	1302276.1M001
0312177.1	1302253.2	1302276.1M002
0802967.0	1302254.4	1302276.1M003
0802970.6		1302277.3
0802974.4M001	<b>25-06-2019</b>	1302278.5M001
0802974.4M002	0312201.3	1302278.5M002
1302230.4	0312211.4	1302279.7
1302231.6	0312219.1M001	
1302232.8	0312219.1M002	<b>27-06-2019</b>
1302233.0	0312220.3M001	1302285.0M001
1302234.2	0312220.3M002	1302285.0M002
1302235.5	0312223.9M001	1302286.2
9811614.2M001	0312223.9M002	1302287.4M001
9811614.2M002	1302256.9	1302287.4M002
9811614.2M003	1302257.1	1302288.6M001
9811614.2M004	1302259.5M001	1302288.6M002
	1302259.5M002	1302290.0
<b>24-06-2019</b>	1302260.7M002	1302291.2
0802982.1	1302260.7M003	
0802985.8	1302260.7M004	
0802987.2		
0802989.6	<b>26-06-2019</b>	
0802990.8	0312231.6	
0802991.0	0803012.6M001	
0802992.2	0803012.6M002	
0802993.4	0803012.6M003	
0802994.6	0803013.8M001	
0802996.1	0803013.8M002	
0802997.3	0803013.8M003	
1302239.3	0803013.8M004	
1302242.9	0803013.8M005	