

# 香港知識產權公報

Hong Kong Intellectual Property Journal

2022年5月13日

13 May 2022

## 目錄 Contents

### 根據註冊外觀設計條例第 25 條註冊的外觀設計

#### **Designs Registered under section 25 of the Registered Designs Ordinance**

按註冊編號排列

Arranged by Registration Number

### 根據註冊外觀設計條例(第 522 章)公布的其他公告

#### **Other Notices Published under the Registered Designs Ordinance (Cap. 522)**

根據註冊外觀設計條例第 28 條，註冊外觀設計因未繳續期費而停止有效

Registered designs ceased through non-payment of renewal fees under section 28 of the Registered Designs Ordinance

根據註冊外觀設計規則第 31 條刪除的註冊外觀設計

Registered designs removed under section 31 of the Registered Designs Rules

### 以下事項沒有記錄

#### **No Records for the Following Matters**

根據註冊外觀設計條例第 30 條放棄的外觀設計的註冊

Surrender of Registration of Design under section 30 of the Registered Designs Ordinance

根據註冊外觀設計規則第 37 條，向處長作出轉介

Reference to Registrar under section 37 of the Registered Designs Rules

根據註冊外觀設計條例第 45 條，撤銷註冊

Revocation of Registration under section 45 of the Registered Designs Ordinance

根據註冊外觀設計規則第 46 條，向法院作出轉介

Reference to Court under section 46 of the Registered Designs Rules

根據註冊外觀設計規則第 63 條對不符合規定之處作出糾正

Rectification of Irregularities under section 63 of the Registered Designs Rules

根據註冊外觀設計條例第 66 條，糾正註冊紀錄冊

Rectification of Register under section 66 of the Registered Designs Ordinance

根據註冊外觀設計條例第 67 條 更正註冊紀錄冊內的錯誤

Correction of errors in Register under section 67 of the Registered Designs Ordinance

根據註冊外觀設計條例第 67 及 76 條，更正註冊紀錄冊內及已提交文件中的錯誤

Correction of Errors in Register and in Filed Documents under sections 67 and 76 of the Registered Designs Ordinance

根據註冊外觀設計條例第 76 條，更正已提交文件中的錯誤

Correction of errors in filed documents under section 76 of the Registered Designs Ordinance

勘誤

Corrigendum

## 註冊外觀設計公告註釋

### Notes on advertisements of registration of designs

方括號表示下列資料：

Square brackets indicate the following data：

[11] 註冊編號 Registration number / 聯合王國註冊編號 United Kingdom registration number

[15] 註冊日期 Registration date / 當作註冊日期 Deemed registration date / 聯合王國註冊日期 United Kingdom registration date

[17] 註冊有效期屆滿日期 Expiry date of the period of registration

[22] 提交日期 Filing date / 當作提交日期 Deemed filing date / 聯合王國提交日期 United Kingdom filing date

[30] 聲稱享有的優先權（提交日期 / 巴黎公約國或世界貿易組織成員 / 申請編號） Priority claimed (filing date / Paris Convention country or WTO member / application number)

[51] 國際外觀設計分類號（洛迦諾分類號） International Classification of designs (Locarno Classification)

[54] 物品 Article

[55] 外觀設計的表述 Representation of the design

[62] 分開前的申請編號及提交日期 Application number before division and filing date

[66] 過往註冊的聯繫外觀設計註冊編號 / 日期 Registration No. / Date of Previous Registration for Association

[72] 設計人 Designer

[73] 擁有人姓名和地址 Name and address of the owner

[74] 代理人 Agent /送達地址 Address for service



香港特別行政區政府知識產權署外觀設計註冊處  
The Government of the Hong Kong Special Administrative Region  
Designs Registry, Intellectual Property Department

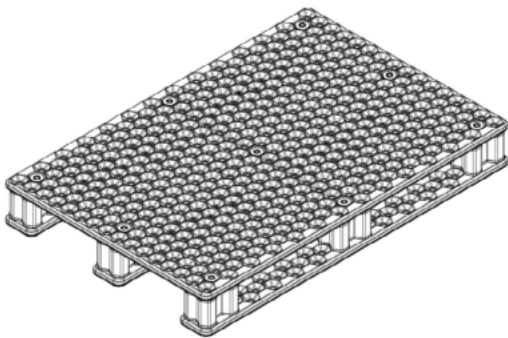
## 根據註冊外觀設計條例第 25 條註冊的外觀設計

### Designs registered under section 25 of the Registered Designs Ordinance

按註冊編號排列

Arranged by Registration Number

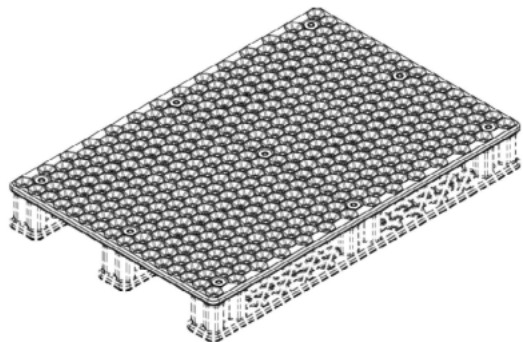
- [11] 2118220.1M001
- [15] 22-06-2021
- [30] 23-12-2020 / EU / 008368963-0001
- [51] Cl. 9-08
- [54] 托盤  
Pallet
- [73] Gridesic Holdings Limited  
31/F, 148 Electric Road,  
North Point,  
Hong Kong
- [74] MARKS & CLERK  
Level 9, Cyberport 1,  
100 Cyberport Road,  
Pok Fu Lam, Hong Kong



- 
- [11] 2118220.1M002
  - [15] 22-06-2021
  - [30] 23-12-2020 / EU / 008368963-0002
  - [51] Cl. 9-08
  - [54] 托盤  
Pallet

[73] Gridesic Holdings Limited  
31/F, 148 Electric Road,  
North Point,  
Hong Kong

[74] MARKS & CLERK  
Level 9, Cyberport 1,  
100 Cyberport Road,  
Pok Fu Lam, Hong Kong



---

[11] 2118220.1M003

[15] 22-06-2021

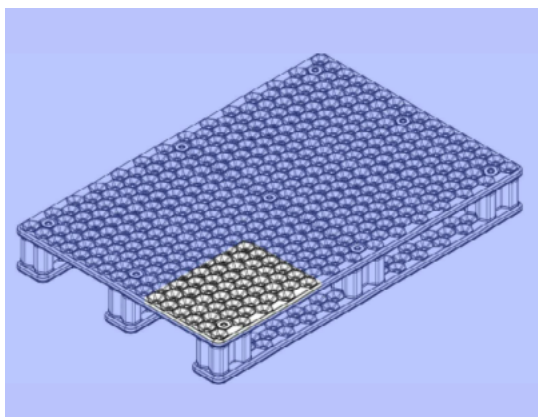
[30] 23-04-2021 / EU / 008517445-0001

[51] Cl. 9-08

[54] 托盤  
Pallet

[73] Gridesic Holdings Limited  
31/F, 148 Electric Road,  
North Point,  
Hong Kong

[74] MARKS & CLERK  
Level 9, Cyberport 1,  
100 Cyberport Road,  
Pok Fu Lam, Hong Kong



- [11] 2219307.8M001  
[15] 19-01-2022  
[30] 19-07-2021 / CN / 202130457093.1  
[51] Cl. 12-11  
[54] 電單車把手(左側)  
Motorcycle handle (left-hand)  
[73] 京瓷安施電子元件(蘇州)有限公司  
KYOCERA AVX COMPONENTS (SUZHOU) CO., LTD.  
158-24 Huashan Road,  
Hi-tech District, Suzhou,  
Jiangsu 215129, China  
[74] WENPING PATENT & TRADE MARK AGENT LIMITED  
1701 Tung Wai Commercial Building,  
111 Gloucester Road,  
Hong Kong



- 
- [11] 2219307.8M002  
[15] 19-01-2022  
[30] 19-07-2021 / CN / 202130457093.1  
[51] Cl. 12-11  
[54] 電單車把手(左側)  
Motorcycle handle (left-hand)  
[73] 京瓷安施電子元件(蘇州)有限公司  
KYOCERA AVX COMPONENTS (SUZHOU) CO., LTD.  
158-24 Huashan Road,  
Hi-tech District, Suzhou,  
Jiangsu 215129, China  
[74] WENPING PATENT & TRADE MARK AGENT LIMITED  
1701 Tung Wai Commercial Building,



111 Gloucester Road,  
Hong Kong



---

[11] 2219308.0M001

[15] 19-01-2022

[30] 19-07-2021 / CN / 202130457101.2

[51] Cl. 12-11

[54] 電單車把手(右側)

Motorcycle handle (right-hand)

[73] 京瓷安施電子元件(蘇州)有限公司

KYOCERA AVX COMPONENTS (SUZHOU) CO., LTD.

158-24 Huashan Road,

Hi-tech District, Suzhou,

Jiangsu 215129, China

[74] WENPING PATENT & TRADE MARK AGENT LIMITED

1701 Tung Wai Commercial Building,

111 Gloucester Road,

Hong Kong

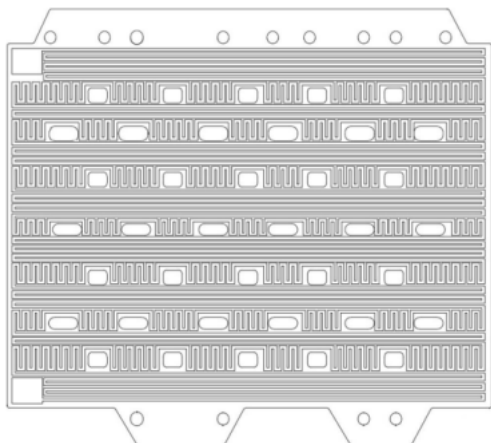


- [11] 2219308.0M002  
[15] 19-01-2022  
[30] 19-07-2021 / CN / 202130457101.2  
[51] Cl. 12-11  
[54] 電單車把手(右側)  
Motorcycle handle (right-hand)  
[73] 京瓷安施電子元件(蘇州)有限公司  
KYOCERA AVX COMPONENTS (SUZHOU) CO., LTD.  
158-24 Huashan Road,  
Hi-tech District, Suzhou,  
Jiangsu 215129, China  
[74] WENPING PATENT & TRADE MARK AGENT LIMITED  
1701 Tung Wai Commercial Building,  
111 Gloucester Road,  
Hong Kong



- 
- [11] 2219311.6  
[15] 19-01-2022  
[30] 19-07-2021 / CN / 202130457181.1  
[51] Cl. 12-16  
[54] 加熱片  
Heater  
[73] 京瓷安施電子元件(蘇州)有限公司  
KYOCERA AVX COMPONENTS (SUZHOU) CO., LTD.  
158-24 Huashan Road,  
Hi-tech District, Suzhou,  
Jiangsu 215129, China  
[74] WENPING PATENT & TRADE MARK AGENT LIMITED  
1701 Tung Wai Commercial Building,

111 Gloucester Road,  
Hong Kong



[11] 2219345.8

[15] 26-01-2022

[30] 14-09-2021 / CN / 202130607650.3

[51] Cl. 12-05

[54] 倉儲機器人的揀選組件

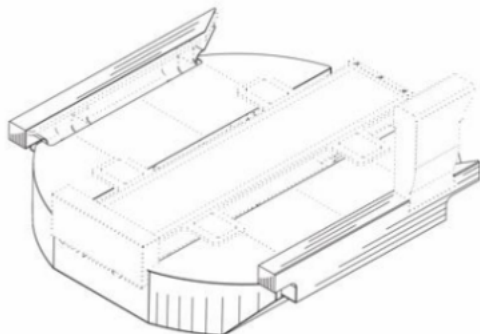
A picking component of a warehousing robot

[73] HAI ROBOTICS CO., LTD.

Room 201, 301, 401, Building B,  
Anluo Technology Industrial Park,  
Nanchang Community, Xixiang Street,  
Bao'an District, Shenzhen, Guangdong 518000, China

[74] CHAN, TANG & KWOK

Rooms 2503-4, 25/F,  
Shanghai Industrial Investment Building,  
48-62 Hennessy Road,  
Wanchai, Hong Kong



[11] 2219354.6M001

[15] 28-01-2022

[30] 06-08-2021 / US / 29/802,647

[51] Cl. 2-04

[54] 靴

Boot

[73] Canada Goose Inc.

250 Bowie Avenue,

Toronto, Ontario, M6E 4Y2,

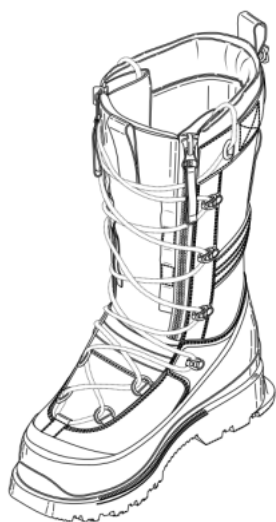
Canada

[74] ROUSE & CO. INTERNATIONAL (OVERSEAS) LIMITED

26/F., Tesbury Centre,

28 Queen's Road East,

Hong Kong



---

[11] 2219354.6M002

[15] 28-01-2022

[30] 06-08-2021 / US / 29/802,647

[51] Cl. 2-04

[54] 靴

Boot

[73] Canada Goose Inc.

250 Bowie Avenue,

Toronto, Ontario, M6E 4Y2,

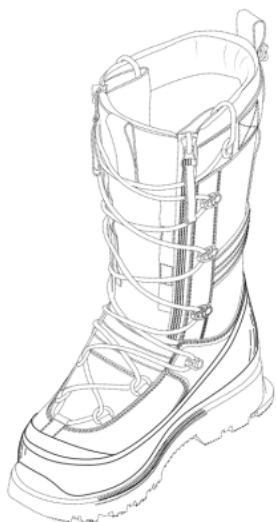
Canada

[74] ROUSE & CO. INTERNATIONAL (OVERSEAS) LIMITED

26/F., Tesbury Centre,

28 Queen's Road East,

Hong Kong



---

[11] 2219354.6M003

[15] 28-01-2022

[30] 06-08-2021 / US / 29/802,647

[51] Cl. 2-04

[54] 靴

Boot

[73] Canada Goose Inc.

250 Bowie Avenue,

Toronto, Ontario, M6E 4Y2,

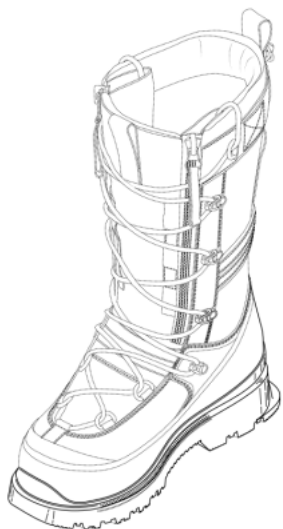
Canada

[74] ROUSE & CO. INTERNATIONAL (OVERSEAS) LIMITED

26/F., Tesbury Centre,

28 Queen's Road East,

Hong Kong



[11] 2219354.6M004

[15] 28-01-2022

[30] 06-08-2021 / US / 29/802,647

[51] Cl. 2-04

[54] 靴

Boot

[73] Canada Goose Inc.

250 Bowie Avenue,

Toronto, Ontario, M6E 4Y2,

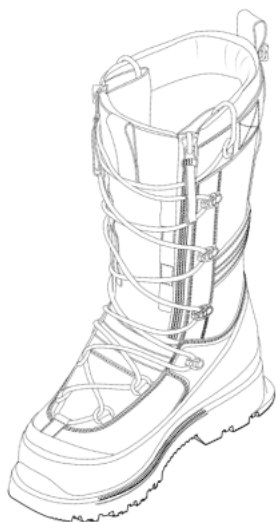
Canada

[74] ROUSE & CO. INTERNATIONAL (OVERSEAS) LIMITED

26/F., Tesbury Centre,

28 Queen's Road East,

Hong Kong



---

[11] 2219354.6M005

[15] 28-01-2022

[30] 06-08-2021 / US / 29/802,647

[51] Cl. 2-04

[54] 靴

Boot

[73] Canada Goose Inc.

250 Bowie Avenue,

Toronto, Ontario, M6E 4Y2,

Canada

[74] ROUSE & CO. INTERNATIONAL (OVERSEAS) LIMITED

26/F., Tesbury Centre,

28 Queen's Road East,

Hong Kong



---

[11] 2219354.6M006

[15] 28-01-2022

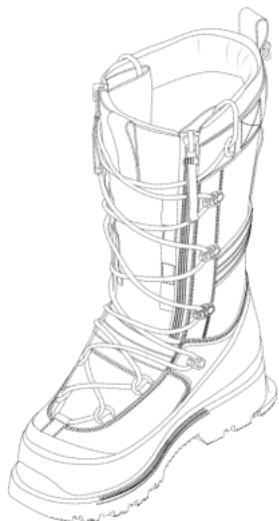
[30] 06-08-2021 / US / 29/802,647

[51] Cl. 2-04

[54] 靴  
Boot

[73] Canada Goose Inc.  
250 Bowie Avenue,  
Toronto, Ontario, M6E 4Y2,  
Canada

[74] ROUSE & CO. INTERNATIONAL (OVERSEAS) LIMITED  
26/F., Tesbury Centre,  
28 Queen's Road East,  
Hong Kong



[11] 2219354.6M007

[15] 28-01-2022

[30] 06-08-2021 / US / 29/802,647

[51] Cl. 2-04

[54] 靴

Boot

[73] Canada Goose Inc.

250 Bowie Avenue,

Toronto, Ontario, M6E 4Y2,

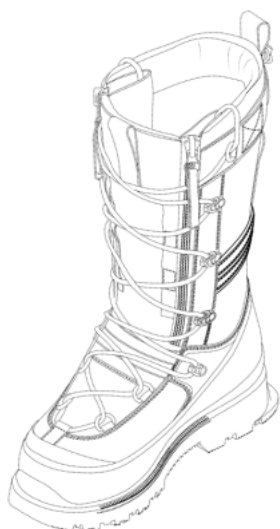
Canada

[74] ROUSE & CO. INTERNATIONAL (OVERSEAS) LIMITED

26/F., Tesbury Centre,

28 Queen's Road East,

Hong Kong



---

[11] 2219354.6M008

[15] 28-01-2022

[30] 06-08-2021 / US / 29/802,647

[51] Cl. 2-04

[54] 靴

Boot

[73] Canada Goose Inc.

250 Bowie Avenue,

Toronto, Ontario, M6E 4Y2,

Canada

[74] ROUSE & CO. INTERNATIONAL (OVERSEAS) LIMITED

26/F., Tesbury Centre,

28 Queen's Road East,

Hong Kong





---

[11] 2219354.6M009

[15] 28-01-2022

[30] 06-08-2021 / US / 29/802,647

[51] Cl. 2-04

[54] 靴

Boot

[73] Canada Goose Inc.

250 Bowie Avenue,

Toronto, Ontario, M6E 4Y2,

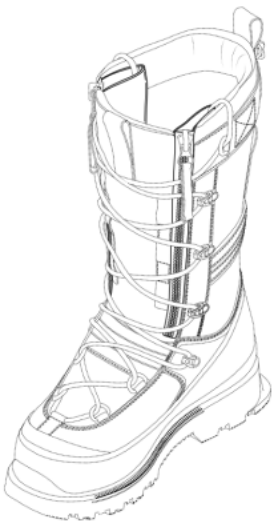
Canada

[74] ROUSE & CO. INTERNATIONAL (OVERSEAS) LIMITED

26/F., Tesbury Centre,

28 Queen's Road East,

Hong Kong



[11] 2219354.6M010

[15] 28-01-2022

[30] 06-08-2021 / US / 29/802,647

[51] Cl. 2-04

[54] 靴

Boot

[73] Canada Goose Inc.

250 Bowie Avenue,

Toronto, Ontario, M6E 4Y2,

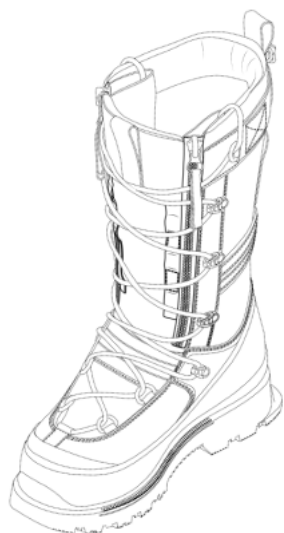
Canada

[74] ROUSE & CO. INTERNATIONAL (OVERSEAS) LIMITED

26/F., Tesbury Centre,

28 Queen's Road East,

Hong Kong



---

[11] 2219354.6M011

[15] 28-01-2022

[30] 06-08-2021 / US / 29/802,647

[51] Cl. 2-04

[54] 靴

Boot

[73] Canada Goose Inc.

250 Bowie Avenue,

Toronto, Ontario, M6E 4Y2,

Canada

[74] ROUSE & CO. INTERNATIONAL (OVERSEAS) LIMITED

26/F., Tesbury Centre,

28 Queen's Road East,

Hong Kong



[11] 2219474.0

[15] 03-03-2022

[30] 03-09-2021 / CN / 202130583401.5

[51] C1. 28-02

[54] 口紅管

Lipstick container

[73] 浙江宜格企業管理集團有限公司

ZHEJIANG YIGE ENTERPRISE MANAGEMENT GROUP CO., LTD.

中國

浙江省杭州市錢塘新區白楊街道

科技園路2號5幢6層08單元

[74] 集佳知識產權有限公司

香港九龍旺角

洗衣街39-55號

金雞廣場12層1201室



[11] 2219499.3

[15] 10-03-2022

[30] 11-09-2021 / CN / 202130602581.7

[51] Cl. 28-02

[54] 唇釉瓶

Container for lip gloss

[73] 浙江宜格企業管理集團有限公司

ZHEJIANG YIGE ENTERPRISE MANAGEMENT GROUP CO., LTD.

中國

浙江省杭州市錢塘新區白楊街道

科技園路2號5幢6層08單元

[74] 集佳知識產權有限公司

香港九龍旺角

洗衣街39-55號

金雞廣場12層1201室



---

[11] 2219500.8

[15] 10-03-2022

[30] 10-09-2021 / CN / 202130601602.3

[51] Cl. 28-02

[54] 口紅管

Lipstick container

[73] 浙江宜格企業管理集團有限公司

ZHEJIANG YIGE ENTERPRISE MANAGEMENT GROUP CO., LTD.

中國

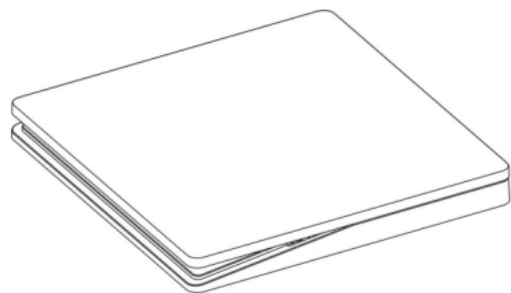
浙江省杭州市錢塘新區白楊街道

科技園路2號5幢6層08單元

- [74] 集佳知識產權有限公司  
香港九龍旺角  
洗衣街 39-55 號  
金雞廣場 12 層 1201 室



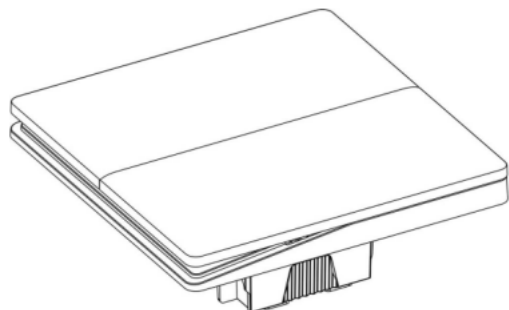
- 
- [11] 2219513.5M001  
[15] 11-03-2022  
[30] 12-11-2021 / CN / 202130745681.5  
[51] Cl. 13-03  
[54] 開關  
Switch  
[73] SCHNEIDER ELECTRIC (AUSTRALIA) PTY LTD  
78 Waterloo Road,  
Macquarie Park, NSW 2113,  
Australia  
[74] WENPING PATENT & TRADE MARK AGENT LIMITED  
1701 Tung Wai Commercial Building,  
111 Gloucester Road,  
Hong Kong



- 
- [11] 2219513.5M002  
[15] 11-03-2022  
[30] 12-11-2021 / CN / 202130745681.5  
[51] Cl. 13-03  
[54] 開關  
Switch  
[73] SCHNEIDER ELECTRIC (AUSTRALIA) PTY LTD  
78 Waterloo Road,

Macquarie Park, NSW 2113,  
Australia

[74] WENPING PATENT & TRADE MARK AGENT LIMITED  
1701 Tung Wai Commercial Building,  
111 Gloucester Road,  
Hong Kong



---

[11] 2219542.6

[15] 22-03-2022

[30] 22-11-2021 / EU / 008768204-0002

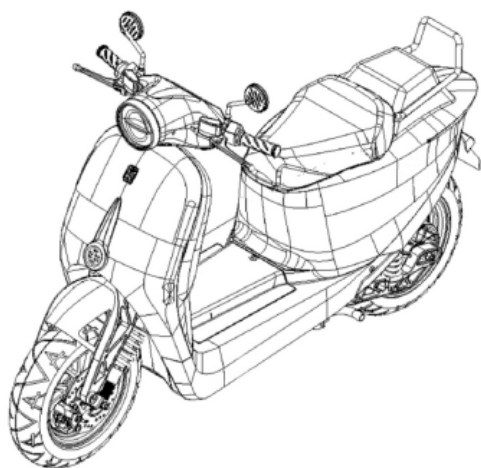
[51] Cl. 12-11

[54] 電摩托車

Electric motorcycle

[73] EDISON MOTOR COMPANY LIMITED  
999/99, RAMA 9 Road, Suan Luang Sub District,  
Suan Luang District,  
10250 Bangkok, Thailand

[74] CHANG TSI AND PARTNERS INTELLECTUAL PROPERTY (HK) LIMITED  
Level 19, Two Int'l Finance Ctr,  
8 Finance St,  
Central, Hong Kong



[11] 2219544.0M001

[15] 23-03-2022

[51] Cl. 11-01

[54] 飾物設計

Ornament design

[73] 六福集團有限公司

Luk Fook Holdings Company Limited

Floor 15, 20, 25 & 27, Metropole Square,

No.2 On Yiu Street, Shatin,

New Territories, Hong Kong

[74] Luk Fook Holdings Company Limited (Legal Affairs Department)

Floor 25, Metropole Square,

No.2 On Yiu Street, Shatin,

New Territories, Hong Kong



[11] 2219544.0M002

[15] 23-03-2022

[51] Cl. 11-01

[54] 飾物設計

Ornament design

[73] 六福集團有限公司

Luk Fook Holdings Company Limited

Floor 15, 20, 25 & 27, Metropole Square,

No.2 On Yiu Street, Shatin,

New Territories, Hong Kong

[74] Luk Fook Holdings Company Limited (Legal Affairs Department)

Floor 25, Metropole Square,

No.2 On Yiu Street, Shatin,

New Territories, Hong Kong



[11] 2219544.0M003

[15] 23-03-2022

[51] Cl. 11-01

[54] 飾物設計

Ornament design

[73] 六福集團有限公司

Luk Fook Holdings Company Limited

Floor 15, 20, 25 & 27, Metropole Square,

No.2 On Yiu Street, Shatin,

New Territories, Hong Kong

[74] Luk Fook Holdings Company Limited (Legal Affairs Department)

Floor 25, Metropole Square,

No.2 On Yiu Street, Shatin,

New Territories, Hong Kong



---

[11] 2219544.0M004

[15] 23-03-2022

[51] Cl. 11-01

[54] 飾物設計

Ornament design

[73] 六福集團有限公司

Luk Fook Holdings Company Limited

Floor 15, 20, 25 & 27, Metropole Square,

No.2 On Yiu Street, Shatin,

New Territories, Hong Kong

[74] Luk Fook Holdings Company Limited (Legal Affairs Department)

Floor 25, Metropole Square,

No.2 On Yiu Street, Shatin,

New Territories, Hong Kong





---

[11] 2219544.0M005

[15] 23-03-2022

[51] Cl. 11-01

[54] 飾物設計

Ornament design

[73] 六福集團有限公司

Luk Fook Holdings Company Limited  
Floor 15, 20, 25 & 27, Metropole Square,  
No.2 On Yiu Street, Shatin,  
New Territories, Hong Kong

[74] Luk Fook Holdings Company Limited (Legal Affairs Department)

Floor 25, Metropole Square,  
No.2 On Yiu Street, Shatin,  
New Territories, Hong Kong



---

[11] 2219547.7

[15] 23-03-2022

[30] 28-09-2021 / CA, LI, MC, OM, RU, SG, CH, TR, UA, GB, US, VN,  
EU, IS, JP, KR / WIPO108932

[51] Cl. 10-02

[54] 手錶

Watch

[73] Turlen Holding SA

Rue du Jura 11,

2345 Les Breuleux,

Switzerland

[74] WILKINSON & GRIST

6th Floor, Prince's Building,

Chater Road,

Hong Kong



---

[11] 2219558.0

[15] 25-03-2022

[30] 26-02-2022 / SG, CH, GB, US, EU, JP, KR / DM/219 376

[51] Cl. 11-01

[54] 小飾物

Charm

[73] Cartier International AG

Hinterbergstrasse 22,

6312 Steinhausen,

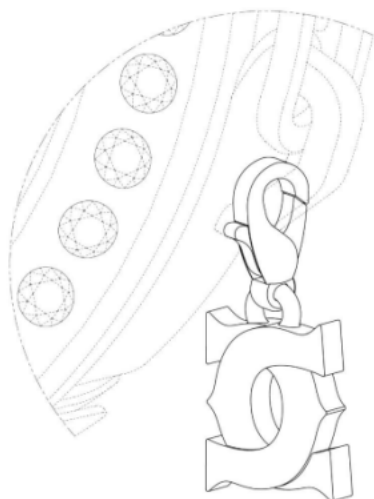
Switzerland

[74] ATL LAW OFFICES

16/F., China Hong Kong Tower,

8-12 Hennessy Road,

Wanchai, Hong Kong



---

[11] 2219573.1

[15] 25-03-2022

[30] 27-02-2022 / SG, CH, GB, US, EU, JP, KR / DM/219 254

[51] Cl. 10-02

[54] 腕錶

Wristwatch

[73] Cartier International AG

Hinterbergstrasse 22,

6312 Steinhausen,

Switzerland

[74] ATL LAW OFFICES

16/F., China Hong Kong Tower,

8-12 Hennessy Road,

Wanchai, Hong Kong



- [11] 2219582.0  
[15] 25-03-2022  
[30] 28-02-2022 / CA, RU, SG, CH, TR, GB, US, EU, JP, KR / DM/219  
423  
[51] Cl. 10-02  
[54] 腕錶  
Wristwatch  
[73] Cartier International AG  
Hinterbergstrasse 22,  
6312 Steinhausen,  
Switzerland  
[74] ATL LAW OFFICES  
16/F., China Hong Kong Tower,  
8-12 Hennessy Road,  
Wanchai, Hong Kong



- 
- [11] 2219592.1  
[15] 25-03-2022  
[30] 28-02-2022 / SG, CH, GB, US, EU, JP, KR / DM/219 595  
[51] Cl. 10-07  
[54] 錶面  
Watch dial  
[73] Cartier International AG  
Hinterbergstrasse 22,  
6312 Steinhausen,  
Switzerland  
[74] ATL LAW OFFICES  
16/F., China Hong Kong Tower,  
8-12 Hennessy Road,  
Wanchai, Hong Kong



---

[11] 2219595.8

[15] 28-03-2022

[51] Cl. 4-02

[54] 牙刷

Toothbrush

[73] 好維股份有限公司

Hawley & Hazel (BVI) Co. Ltd.

Trident Chambers, P. O. Box 146,

Road Town, Tortola,

Virgin Islands (British)

[74] BAKER & MCKENZIE

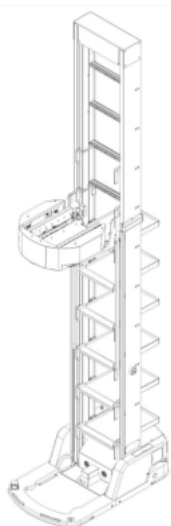
14th Floor, One Taikoo Place,

979 King's Road, Quarry Bay,

Hong Kong



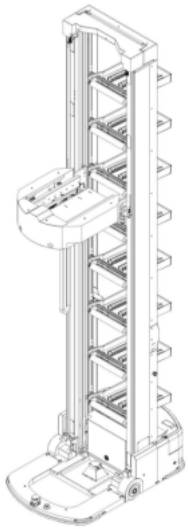
- [11] 2219597.2  
[15] 28-03-2022  
[30] 20-10-2021 / CN / 202130688674.6  
[51] C1. 12-05  
[54] 搬運機器人  
Handling robot  
[73] 深圳市海柔創新科技有限公司  
中國廣東省深圳市寶安區  
西鄉街道南昌社區安絡科技產業園  
B 棟 201、301、401 (郵編: 518000)  
[74] 陳鄧郭律師行  
香港灣仔  
軒尼詩道 48-62 號  
上海實業大廈 25 樓 2503-4 室



- 
- [11] 2219598.4  
[15] 28-03-2022  
[30] 20-10-2021 / CN / 202130688687.3  
[51] C1. 12-05  
[54] 搬運機器人  
Warehouse robot  
[73] 深圳市海柔創新科技有限公司  
中國廣東省深圳市寶安區  
西鄉街道南昌社區安絡科技產業園  
B 棟 201、301、401 (郵編: 518000)  
[74] 陳鄧郭律師行  
香港灣仔

軒尼詩道 48-62 號

上海實業大廈 25 樓 2503-4 室



---

[11] 2219599.6

[15] 28-03-2022

[30] 20-10-2021 / CN / 202130688688.8

[51] C1. 12-05

[54] 搬運機器人

Warehouse robot

[73] 深圳市海柔創新科技有限公司

中國廣東省深圳市寶安區

西鄉街道南昌社區安絡科技產業園

B 棟 201、301、401 (郵編: 518000)

[74] 陳鄧郭律師行

香港灣仔

軒尼詩道 48-62 號

上海實業大廈 25 樓 2503-4 室



[11] 2219600.0

[15] 28-03-2022

[30] 12-10-2021 / KR / 30-2021-0048110

[51] Cl. 23-04

[54] 空氣淨化器

Air purifier

[73] 福庫好希士株式會社

Cuckoo Homesys Co., LTD.

(Jeongwang-dong) 349, Emtibeuibuk-ro,

Siheung-si, Gyeonggi-do,

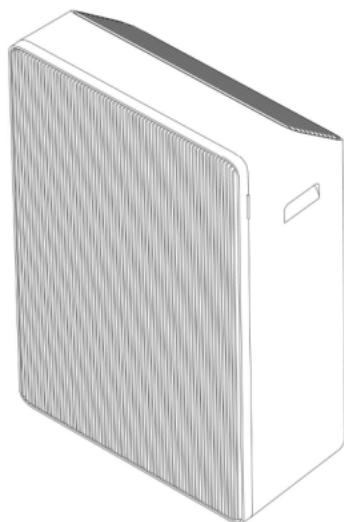
Republic of Korea

[74] WANG WENKUI

Flat H, 16/F, Block 7,

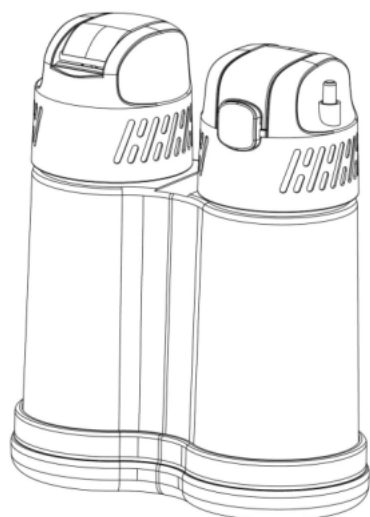
Lily Mansions, Whampoa Garden,

Hung Hom, Kowloon, Hong Kong





- [11] 2219603.6  
[15] 28-03-2022  
[51] Cl. 7-02  
[54] 水壺  
Kettle  
[73] 江業生  
中國廣西  
平南縣官成鎮  
官東村三家一屯 29 號  
[74] 中港專利有限公司  
香港灣仔  
告士打道 151 號  
資本中心 15 樓 1502 室



- 
- [11] 2219605.1  
[15] 29-03-2022  
[51] Cl. 11-02  
[54] 花盆  
Flower pot  
[73] I Love You Inc.  
1810 E Sahara Ave Ste 215,  
Las Vegas, NV 89104,  
United States of America  
[74] I Love You Limited  
Unit 1, 11/F, Wing Sum Factory Building No. 2,  
12-14 Sam Chuk Street,  
San Po Kong, Hong Kong



[11] 2219607.5

[15] 29-03-2022

[30] 02-11-2021 / CA, AM, AZ, BZ, BA, GE, LI, MK, MD, MC, MN, ME, MA, NO, OM, RU, SG, CH, TN, TR, UA, GB, EU, AL, KG / DM/217 266

[51] Cl. 10-07

[54] 錶殼連錶帶

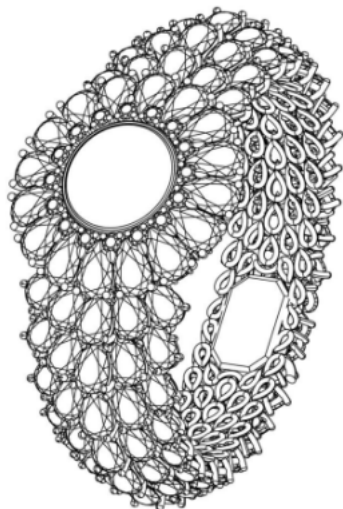
Watch case with bracelet

[73] Harry Winston SA

Chemin du Tourbillon 8,  
CH-1228 Plan-les-Ouates,  
Switzerland

[74] SPRUSON & FERGUSON (HONG KONG) LIMITED

5001 Hopewell Centre,  
183 Queen's Road East,  
Wan Chai, Hong Kong



[11] 2219608.7M001

[15] 29-03-2022

[30] 30-09-2021 / EU / 008711881

[51] Cl. 9-01

[54] 化妝品瓶

Cosmetic bottle

[73] LABORATOIRES LA PRAIRIE SA

Industriestrasse 8,

8604 Volketswil,

Switzerland

[74] CHINA PATENT AGENT (HONG KONG) LIMITED

22/F, Great Eagle Centre,

23 Harbour Road,

Wanchai, Hong Kong



---

[11] 2219608.7M002

[15] 29-03-2022

[30] 30-09-2021 / EU / 008711881

[51] Cl. 9-01

[54] 化妝品瓶

Cosmetic bottle

[73] LABORATOIRES LA PRAIRIE SA

Industriestrasse 8,

8604 Volketswil,

Switzerland

[74] CHINA PATENT AGENT (HONG KONG) LIMITED

22/F, Great Eagle Centre,

23 Harbour Road,

Wanchai, Hong Kong



---

[11] 2219608.7M003

[15] 29-03-2022

[30] 30-09-2021 / EU / 008711881

[51] Cl. 9-01

[54] 化妝品瓶

Cosmetic bottle

[73] LABORATOIRES LA PRAIRIE SA

Industriestrasse 8,

8604 Volketswil,

Switzerland

[74] CHINA PATENT AGENT (HONG KONG) LIMITED

22/F, Great Eagle Centre,

23 Harbour Road,

Wanchai, Hong Kong



- [11] 2219610.1  
[15] 29-03-2022  
[51] Cl. 30-06  
[54] 冷暖寵物床  
Cooler and warmer pet bed  
[73] 耀發電子有限公司  
BRILLIANT RICH ELECTRONICS LIMITED  
Flat I, 2/F, Universal Industrial Centre,  
19-21 Shan Mei Street, Fo Tan,  
Sha Tin, Hong Kong  
[74] WENPING PATENT & TRADE MARK AGENT LIMITED  
1701 Tung Wai Commercial Building,  
111 Gloucester Road,  
Hong Kong



- 
- [11] 2219612.5M001  
[15] 30-03-2022  
[30] 07-03-2022 / CH, TR, GB, US, EU, JP, KR / WIPO114124  
(970125931)  
[51] Cl. 10-07  
[54] 錶面  
Watch dial  
[73] RICHEMONT INTERNATIONAL SA  
Route des Biches 10,  
1752 Villars-sur-Glâne,  
Switzerland  
[74] MINTERELLISON LLP  
Level 32, Wu Chung House,  
213 Queen's Road East,  
Hong Kong



---

[11] 2219612.5M002

[15] 30-03-2022

[30] 07-03-2022 / CH, TR, GB, US, EU, JP, KR / WIPO114124  
(970125931)

[51] Cl. 10-07

[54] 錶面

Watch dial

[73] RICHEMONT INTERNATIONAL SA

Route des Biches 10,  
1752 Villars-sur-Glâne,  
Switzerland

[74] MINTERELLISON LLP

Level 32, Wu Chung House,  
213 Queen's Road East,  
Hong Kong



---

[11] 2219612.5M003

[15] 30-03-2022

[30] 07-03-2022 / CH, TR, GB, US, EU, JP, KR / WIPO114124  
(970125931)

[51] Cl. 10-07

[54] 錶面

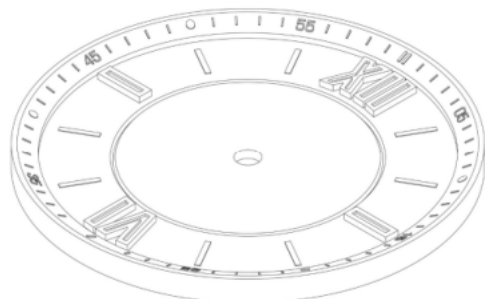
Watch dial

[73] RICHEMONT INTERNATIONAL SA

Route des Biches 10,

1752 Villars-sur-Glâne,  
Switzerland

[74] MINTERELLISON LLP  
Level 32, Wu Chung House,  
213 Queen's Road East,  
Hong Kong



---

[11] 2219612.5M004

[15] 30-03-2022

[30] 07-03-2022 / CH, TR, GB, US, EU, JP, KR / WIPO114124  
(970125931)

[51] Cl. 10-07

[54] 錶框

Watch bezel

[73] RICHEMONT INTERNATIONAL SA  
Route des Biches 10,  
1752 Villars-sur-Glâne,  
Switzerland

[74] MINTERELLISON LLP  
Level 32, Wu Chung House,  
213 Queen's Road East,  
Hong Kong



---

[11] 2219612.5M005

[15] 30-03-2022

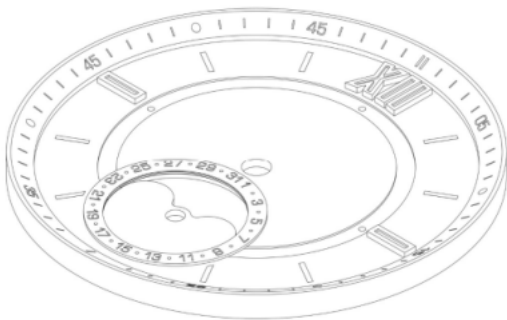
[30] 07-03-2022 / CH, TR, GB, US, EU, JP, KR / WIPO114124  
(970125931)

[51] Cl. 10-07

[54] 錶面  
Watch dial

[73] RICHEMONT INTERNATIONAL SA  
Route des Biches 10,  
1752 Villars-sur-Glâne,  
Switzerland

[74] MINTERELLISON LLP  
Level 32, Wu Chung House,  
213 Queen's Road East,  
Hong Kong



---

[11] 2219612.5M006

[15] 30-03-2022

[30] 07-03-2022 / CH, TR, GB, US, EU, JP, KR / WIPO114124  
(970125931)

[51] Cl. 10-07

[54] 錶面連指針  
Watch dial with hands

[73] RICHEMONT INTERNATIONAL SA  
Route des Biches 10,  
1752 Villars-sur-Glâne,  
Switzerland

[74] MINTERELLISON LLP  
Level 32, Wu Chung House,  
213 Queen's Road East,  
Hong Kong





---

[11] 2219612.5M007

[15] 30-03-2022

[30] 07-03-2022 / CH, TR, GB, US, EU, JP, KR / WIPO114124  
(970125931)

[51] Cl. 10-07

[54] 錶面連指針

Watch dial with hands

[73] RICHEMONT INTERNATIONAL SA

Route des Biches 10,  
1752 Villars-sur-Glâne,  
Switzerland

[74] MINTERELLISON LLP

Level 32, Wu Chung House,  
213 Queen's Road East,  
Hong Kong



---

[11] 2219612.5M008

[15] 30-03-2022

[30] 07-03-2022 / CH, TR, GB, US, EU, JP, KR / WIPO114124  
(970125931)

[51] Cl. 10-07

[54] 錶殼連錶面的部分

Watch case with part of dial

[73] RICHEMONT INTERNATIONAL SA

Route des Biches 10,  
1752 Villars-sur-Glâne,  
Switzerland

[74] MINTERELLISON LLP

Level 32, Wu Chung House,  
213 Queen's Road East,  
Hong Kong



---

[11] 2219612.5M009

[15] 30-03-2022

[30] 07-03-2022 / CH, TR, GB, US, EU, JP, KR / WIPO114124  
(970125931)

[51] Cl. 10-07

[54] 錶面

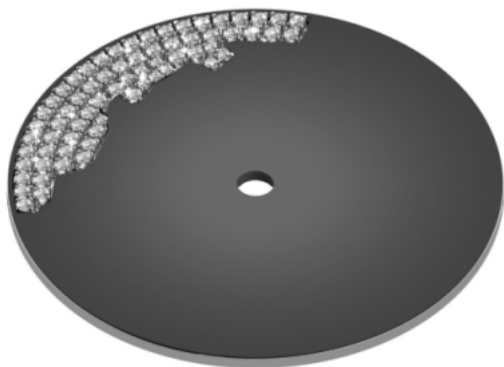
Watch dial

[73] RICHEMONT INTERNATIONAL SA

Route des Biches 10,  
1752 Villars-sur-Glâne,  
Switzerland

[74] MINTERELLISON LLP

Level 32, Wu Chung House,  
213 Queen's Road East,  
Hong Kong



---

[11] 2219612.5M010

[15] 30-03-2022

[30] 07-03-2022 / CH, TR, GB, US, EU, JP, KR / WIPO114124  
(970125931)

[51] Cl. 10-07

[54] 錶面

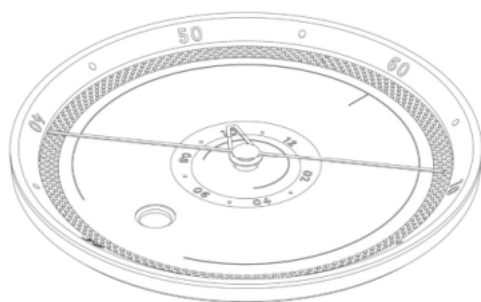
Watch dial

[73] RICHEMONT INTERNATIONAL SA

Route des Biches 10,  
1752 Villars-sur-Glâne,  
Switzerland

[74] MINTERELLISON LLP

Level 32, Wu Chung House,  
213 Queen's Road East,  
Hong Kong



---

[11] 2219631.5

[15] 31-03-2022

[30] 12-01-2022 / KR / 30-2022-0001464

[51] Cl. 8-03

[54] 剪刀

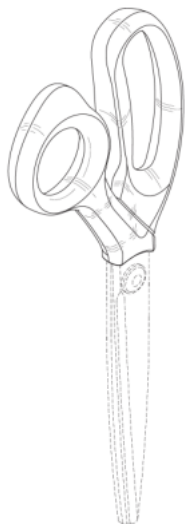
Scissors

[73] Dorco Co., Ltd.

36-9, Hyoryeong-ro 70-gil,

Seocho-gu, Seoul 06723,  
Republic of Korea

[74] BARRON & YOUNG INTELLECTUAL PROPERTY LIMITED  
Suite 617, Lakeside 2,  
No. 10 Science Park West Avenue,  
Hong Kong Science Park, Shatin,  
New Territories, Hong Kong



---

[11] 2219632.7

[15] 31-03-2022

[30] 12-01-2022 / KR / 30-2022-0001465

[51] Cl. 8-03

[54] 剪刀

Scissors

[73] Dorco Co., Ltd.

36-9, Hyoryeong-ro 70-gil,

Seocho-gu, Seoul 06723,

Republic of Korea

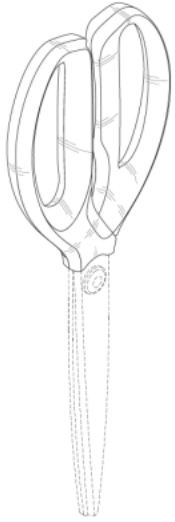
[74] BARRON & YOUNG INTELLECTUAL PROPERTY LIMITED

Suite 617, Lakeside 2,

No. 10 Science Park West Avenue,

Hong Kong Science Park, Shatin,

New Territories, Hong Kong



---

[11] 2219633.9

[15] 31-03-2022

[30] 12-01-2022 / KR / 30-2022-0001467

[51] Cl. 8-03

[54] 剪刀蓋

Scissor blade cover

[73] Dorco Co., Ltd.

36-9, Hyoryeong-ro 70-gil,

Seocho-gu, Seoul 06723,

Republic of Korea

[74] BARRON & YOUNG INTELLECTUAL PROPERTY LIMITED

Suite 617, Lakeside 2,

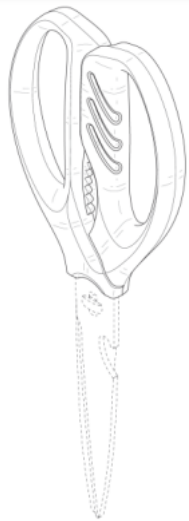
No. 10 Science Park West Avenue,

Hong Kong Science Park, Shatin,

New Territories, Hong Kong



- [11] 2219634.1  
[15] 31-03-2022  
[30] 12-01-2022 / KR / 30-2022-0001466  
[51] Cl. 8-03  
[54] 剪刀  
Scissors  
[73] Dorco Co., Ltd.  
36-9, Hyoryeong-ro 70-gil,  
Seocho-gu, Seoul 06723,  
Republic of Korea  
[74] BARRON & YOUNG INTELLECTUAL PROPERTY LIMITED  
Suite 617, Lakeside 2,  
No. 10 Science Park West Avenue,  
Hong Kong Science Park, Shatin,  
New Territories, Hong Kong



- 
- [11] 2219642.8  
[15] 01-04-2022  
[51] Cl. 28-03  
[54] 化妝品容器  
Cosmetic container  
[73] AMOREPACIFIC CORPORATION  
100, Hangang-daero,  
Yongsan-gu, Seoul,  
Republic of Korea  
[74] TRADEMARKCN COMPANY LIMITED  
Block A, 4/F., Granville Building,  
14 Granville Road, Tsim Sha Tsui,  
Kowloon, Hong Kong



---

[11] 2219643.0

[15] 01-04-2022

[51] Cl. 28-03

[54] 化妝品容器

Cosmetic container

[73] AMOREPACIFIC CORPORATION

100, Hangang-daero,

Yongsan-gu, Seoul,

Republic of Korea

[74] TRADEMARKCN COMPANY LIMITED

Block A, 4/F., Granville Building,

14 Granville Road, Tsim Sha Tsui,

Kowloon, Hong Kong



---

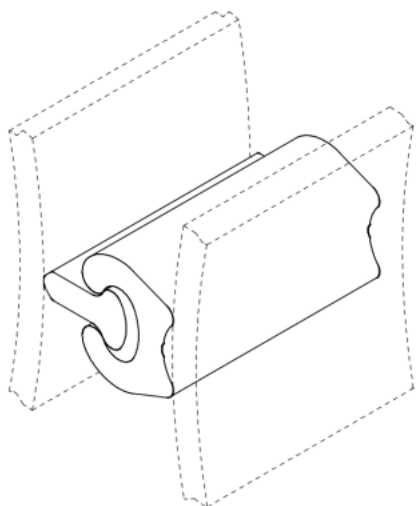
[11] 2219644.2

- [15] 01-04-2022
- [30] 01-02-2022 / CA, AM, AZ, BZ, BA, GE, LI, MK, MD, MC, MN, ME, MA, NO, OM, RU, SG, CH, TN, TR, UA, GB, EU, AL, KR, KG / DM/218 861
- [51] Cl. 10-02
- [54] 手錶  
Wristwatch
- [73] COMPAGNIE DES MONTRES LONGINES, FRANCILLON S.A. (LONGINES WATCH CO., FRANCILLON LTD.)  
CH-2610 St-Imier,  
Switzerland
- [74] SPRUSON & FERGUSON (HONG KONG) LIMITED  
5001 Hopewell Centre,  
183 Queen's Road East,  
Wan Chai, Hong Kong



- 
- [11] 2219646.7M001
- [15] 01-04-2022
- [30] 04-10-2021 / EU / 008717409-0008
- [51] Cl. 25-01
- [54] 連接件對  
Pair of connectors
- [73] Richard Heindl  
Tassilostr. 21,  
82166 Gräfelfing,  
Germany
- [74] CHINAHONGKONG PATENT LIMITED  
1502, 15/F, Capital Centre,  
151 Gloucester Road,  
Wanchai, Hong Kong





---

[11] 2219646.7M002

[15] 01-04-2022

[30] 04-10-2021 / EU / 008717409-0009

[51] Cl. 25-01

[54] 連接件對

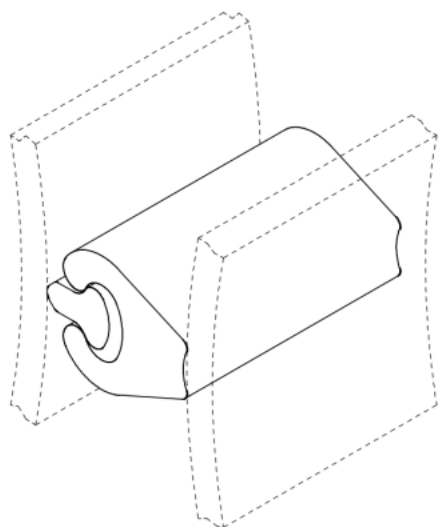
Pair of connectors

[73] Richard Heindl

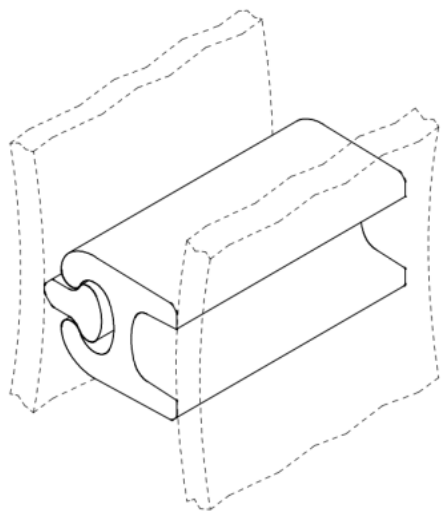
Tassilostr. 21,  
82166 Gräfelfing,  
Germany

[74] CHINAHONGKONG PATENT LIMITED

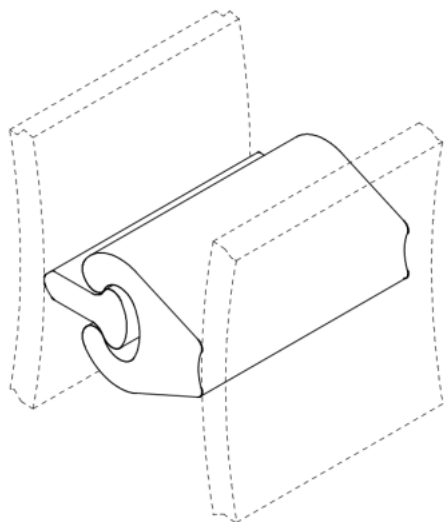
1502, 15/F, Capital Centre,  
151 Gloucester Road,  
Wanchai, Hong Kong



- [11] 2219646.7M003  
[15] 01-04-2022  
[30] 04-10-2021 / EU / 008717409-0010  
[51] C1. 25-01  
[54] 連接件對  
Pair of connectors  
[73] Richard Heindl  
Tassilostr. 21,  
82166 Gräfelfing,  
Germany  
[74] CHINAHONGKONG PATENT LIMITED  
1502, 15/F, Capital Centre,  
151 Gloucester Road,  
Wanchai, Hong Kong



- 
- [11] 2219646.7M004  
[15] 01-04-2022  
[30] 04-10-2021 / EU / 008717409-0011  
[51] C1. 25-01  
[54] 連接件對  
Pair of connectors  
[73] Richard Heindl  
Tassilostr. 21,  
82166 Gräfelfing,  
Germany  
[74] CHINAHONGKONG PATENT LIMITED  
1502, 15/F, Capital Centre,  
151 Gloucester Road,  
Wanchai, Hong Kong



---

[11] 2219646.7M005

[15] 01-04-2022

[30] 04-10-2021 / EU / 008717409-0012

[51] Cl. 25-01

[54] 連接件對

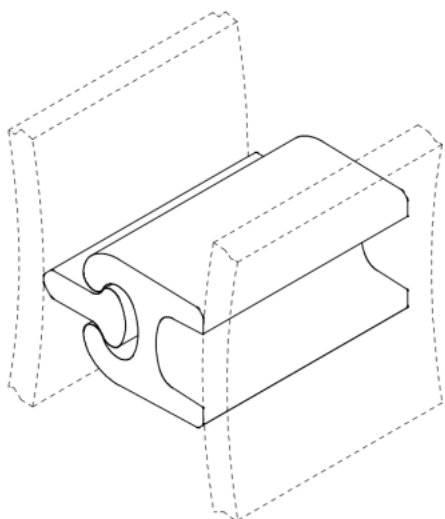
Pair of connectors

[73] Richard Heindl

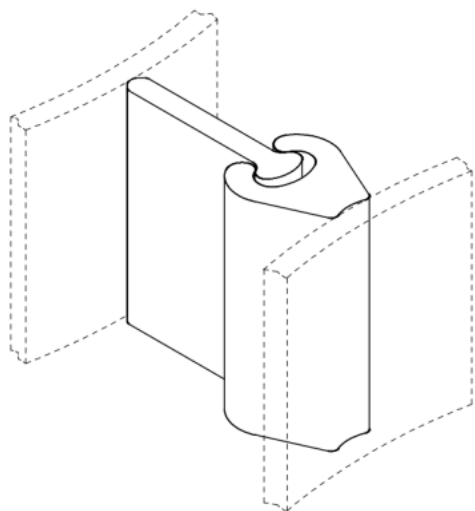
Tassilostr. 21,  
82166 Gräfelfing,  
Germany

[74] CHINAHONGKONG PATENT LIMITED

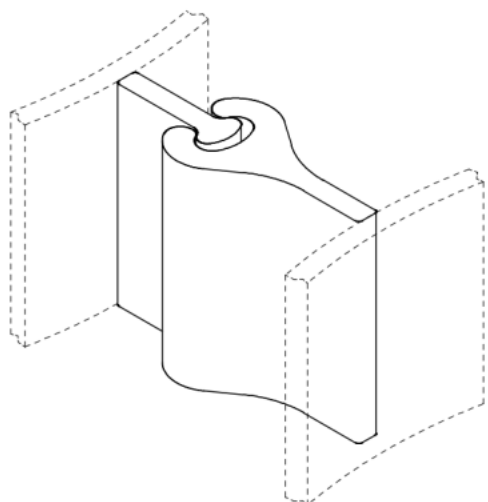
1502, 15/F, Capital Centre,  
151 Gloucester Road,  
Wanchai, Hong Kong



- [11] 2219646.7M006  
[15] 01-04-2022  
[30] 04-10-2021 / EU / 008717409-0016  
[51] C1. 25-01  
[54] 連接件對  
Pair of connectors  
[73] Richard Heindl  
Tassilostr. 21,  
82166 Gräfelfing,  
Germany  
[74] CHINAHONGKONG PATENT LIMITED  
1502, 15/F, Capital Centre,  
151 Gloucester Road,  
Wanchai, Hong Kong



- 
- [11] 2219646.7M007  
[15] 01-04-2022  
[30] 04-10-2021 / EU / 008717409-0019  
[51] C1. 25-01  
[54] 連接件對  
Pair of connectors  
[73] Richard Heindl  
Tassilostr. 21,  
82166 Gräfelfing,  
Germany  
[74] CHINAHONGKONG PATENT LIMITED  
1502, 15/F, Capital Centre,  
151 Gloucester Road,  
Wanchai, Hong Kong



---

[11] 2219646.7M008

[15] 01-04-2022

[30] 04-10-2021 / EU / 008717409-0021

[51] Cl. 25-01

[54] 連接件對

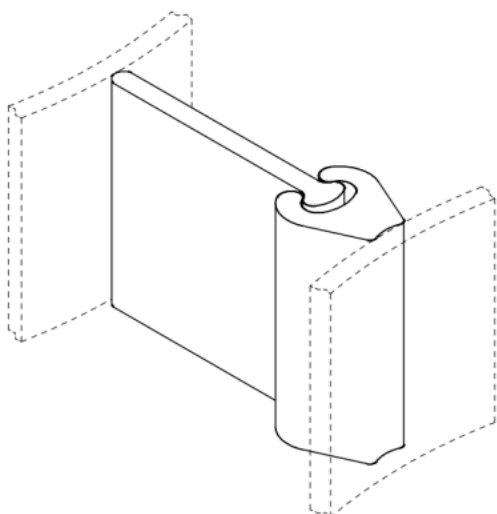
Pair of connectors

[73] Richard Heindl

Tassilostr. 21,  
82166 Gräfelfing,  
Germany

[74] CHINAHONGKONG PATENT LIMITED

1502, 15/F, Capital Centre,  
151 Gloucester Road,  
Wanchai, Hong Kong



- [11] 2219648.1M001  
[15] 01-04-2022  
[30] 01-10-2021 / IT / 402021000002843  
[51] Cl. 2-04  
[54] 鞋  
Shoe  
[73] VALENTINO S.p.A.  
Via Turati, 16/18,  
I-20121 Milano,  
Italy  
[74] BIRD & BIRD  
6/F, The Annex, Central Plaza,  
18 Harbour Road,  
Hong Kong



- 
- [11] 2219648.1M002  
[15] 01-04-2022  
[30] 01-10-2021 / IT / 402021000002843  
[51] Cl. 2-04  
[54] 鞋  
Shoe  
[73] VALENTINO S.p.A.  
Via Turati, 16/18,  
I-20121 Milano,  
Italy  
[74] BIRD & BIRD  
6/F, The Annex, Central Plaza,  
18 Harbour Road,  
Hong Kong



---

[11] 2219648.1M003

[15] 01-04-2022

[30] 01-10-2021 / IT / 402021000002843

[51] Cl. 2-04

[54] 鞋

Shoe

[73] VALENTINO S.p.A.

Via Turati, 16/18,

I-20121 Milano,

Italy

[74] BIRD & BIRD

6/F, The Annex, Central Plaza,

18 Harbour Road,

Hong Kong



---

[11] 2219648.1M004

[15] 01-04-2022

[30] 01-10-2021 / IT / 402021000002843

[51] Cl. 2-04

[54] 鞋

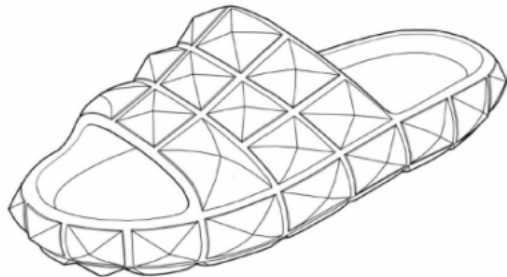
Shoe

[73] VALENTINO S.p.A.

Via Turati, 16/18,

I-20121 Milano,  
Italy

[74] BIRD & BIRD  
6/F, The Annex, Central Plaza,  
18 Harbour Road,  
Hong Kong



---

[11] 2219649.3M001

[15] 01-04-2022

[30] 01-10-2021 / IT / 402021000002840

[51] Cl. 3-01

[54] 袋  
Bag

[73] VALENTINO S.p.A.  
Via Turati, 16/18,  
I-20121 Milano,  
Italy

[74] BIRD & BIRD  
6/F, The Annex, Central Plaza,  
18 Harbour Road,  
Hong Kong





- [11] 2219649.3M002  
[15] 01-04-2022  
[30] 01-10-2021 / IT / 402021000002840  
[51] Cl. 3-01  
[54] 袋  
Bag  
[73] VALENTINO S.p.A.  
Via Turati, 16/18,  
I-20121 Milano,  
Italy  
[74] BIRD & BIRD  
6/F, The Annex, Central Plaza,  
18 Harbour Road,  
Hong Kong



- 
- [11] 2219665.7M001  
[15] 07-04-2022  
[30] 12-11-2021 / CA, AM, AZ, BZ, BA, GE, LI, MK, MD, MC, MN, ME,  
MA, NO, OM, SG, CH, TN, TR, UA, GB, EU, AL, KG / DM/217 400  
[51] Cl. 11-01  
[54] 耳環  
Earrings  
[73] Harry Winston SA  
Chemin du Tourbillon 8,  
CH-1228 Plan-les-Ouates,  
Switzerland  
[74] SPRUSON & FERGUSON (HONG KONG) LIMITED  
5001 Hopewell Centre,  
183 Queen's Road East,  
Wan Chai, Hong Kong



---

[11] 2219665.7M002

[15] 07-04-2022

[30] 12-11-2021 / CA, AM, AZ, BZ, BA, GE, LI, MK, MD, MC, MN, ME, MA, NO, OM, SG, CH, TN, TR, UA, GB, EU, AL, KG / DM/217 400

[51] Cl. 11-01

[54] 耳環

Earrings

[73] Harry Winston SA  
Chemin du Tourbillon 8,  
CH-1228 Plan-les-Ouates,  
Switzerland

[74] SPRUSON & FERGUSON (HONG KONG) LIMITED  
5001 Hopewell Centre,  
183 Queen's Road East,  
Wan Chai, Hong Kong



---

[11] 2219665.7M003

[15] 07-04-2022

[30] 12-11-2021 / CA, AM, AZ, BZ, BA, GE, LI, MK, MD, MC, MN, ME, MA, NO, OM, SG, CH, TN, TR, UA, GB, EU, AL, KG / DM/217 400

[51] Cl. 11-01

[54] 項鍊

Necklace

[73] Harry Winston SA

Chemin du Tourbillon 8,  
CH-1228 Plan-les-Ouates,  
Switzerland

[74] SPRUSON & FERGUSON (HONG KONG) LIMITED

5001 Hopewell Centre,  
183 Queen's Road East,  
Wan Chai, Hong Kong



---

[11] 2219665.7M004

[15] 07-04-2022

[30] 12-11-2021 / CA, AM, AZ, BZ, BA, GE, LI, MK, MD, MC, MN, ME,  
MA, NO, OM, SG, CH, TN, TR, UA, GB, EU, AL, KG / DM/217 400

[51] Cl. 11-01

[54] 項鍊

Necklace

[73] Harry Winston SA

Chemin du Tourbillon 8,  
CH-1228 Plan-les-Ouates,  
Switzerland

[74] SPRUSON & FERGUSON (HONG KONG) LIMITED

5001 Hopewell Centre,  
183 Queen's Road East,  
Wan Chai, Hong Kong



---

[11] 2219665.7M005

[15] 07-04-2022

[30] 12-11-2021 / CA, AM, AZ, BZ, BA, GE, LI, MK, MD, MC, MN, ME, MA, NO, OM, SG, CH, TN, TR, UA, GB, EU, AL, KG / DM/217 400

[51] Cl. 11-01

[54] 耳環

Earrings

[73] Harry Winston SA  
Chemin du Tourbillon 8,  
CH-1228 Plan-les-Ouates,  
Switzerland

[74] SPRUSON & FERGUSON (HONG KONG) LIMITED  
5001 Hopewell Centre,  
183 Queen's Road East,  
Wan Chai, Hong Kong



---

[11] 2219665.7M006

[15] 07-04-2022

[30] 12-11-2021 / CA, AM, AZ, BZ, BA, GE, LI, MK, MD, MC, MN, ME, MA, NO, OM, SG, CH, TN, TR, UA, GB, EU, AL, KG / DM/217 400

[51] Cl. 11-01

[54] 指環

Ring

[73] Harry Winston SA  
Chemin du Tourbillon 8,  
CH-1228 Plan-les-Ouates,  
Switzerland

[74] SPRUSON & FERGUSON (HONG KONG) LIMITED  
5001 Hopewell Centre,  
183 Queen's Road East,  
Wan Chai, Hong Kong



---

[11] 2219665.7M007

[15] 07-04-2022

[30] 12-11-2021 / CA, AM, AZ, BZ, BA, GE, LI, MK, MD, MC, MN, ME, MA, NO, OM, SG, CH, TN, TR, UA, GB, EU, AL, KG / DM/217 400

[51] Cl. 11-01

[54] 項鍊

Necklace

[73] Harry Winston SA

Chemin du Tourbillon 8,  
CH-1228 Plan-les-Ouates,  
Switzerland

[74] SPRUSON & FERGUSON (HONG KONG) LIMITED

5001 Hopewell Centre,  
183 Queen's Road East,  
Wan Chai, Hong Kong



---

[11] 2219665.7M008

[15] 07-04-2022

[30] 12-11-2021 / CA, AM, AZ, BZ, BA, GE, LI, MK, MD, MC, MN, ME, MA, NO, OM, SG, CH, TN, TR, UA, GB, EU, AL, KG / DM/217 400

[51] Cl. 11-01

[54] 耳環

Earrings

[73] Harry Winston SA  
Chemin du Tourbillon 8,  
CH-1228 Plan-les-Ouates,  
Switzerland

[74] SPRUSON & FERGUSON (HONG KONG) LIMITED  
5001 Hopewell Centre,  
183 Queen's Road East,  
Wan Chai, Hong Kong



---

[11] 2219665.7M009

[15] 07-04-2022

[30] 12-11-2021 / CA, AM, AZ, BZ, BA, GE, LI, MK, MD, MC, MN, ME,  
MA, NO, OM, SG, CH, TN, TR, UA, GB, EU, AL, KG / DM/217 400

[51] Cl. 11-01

[54] 指環  
Ring

[73] Harry Winston SA  
Chemin du Tourbillon 8,  
CH-1228 Plan-les-Ouates,  
Switzerland

[74] SPRUSON & FERGUSON (HONG KONG) LIMITED  
5001 Hopewell Centre,  
183 Queen's Road East,  
Wan Chai, Hong Kong



[11] 2219667.1

[15] 08-04-2022

[51] Cl. 7-02

[54] 小吃造型用托盤

Tray for snack molding

[73] KRACIE FOODS, LTD.

20-20, Kaigan 3-chome, Minato-ku,

Tokyo 108-8080,

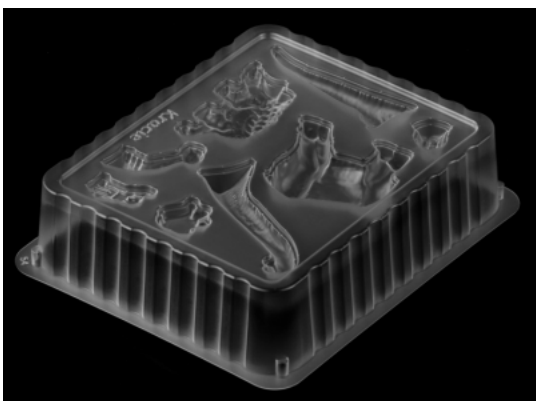
Japan

[74] UNION PATENT SERVICE CENTRE

Units E-F, 20th Floor, Neich Tower,

128 Gloucester Road,

Hong Kong





香港特別行政區政府知識產權署外觀設計註冊處

The Government of the Hong Kong Special Administrative Region

Designs Registry, Intellectual Property Department

根據註冊外觀設計條例第 28 條，下列註冊外觀設計因未繳續期費而停止有效。

各組記項按註冊外觀設計停止有效日期及註冊編號先後次序排列。

**Registered designs ceased through non-payment of renewal fees under section 28 of the Registered Designs Ordinance. Entries are listed below under their expiry dates.**

**15-04-2022 - 20-04-2022****15-04-2022**

0210513.2  
0700978.0  
0700979.2  
0700980.4  
0700995.6M001  
0700995.6M002  
1200700.9  
1200701.1M001  
1200701.1M002  
1200701.1M003  
1200701.1M004

**19-04-2022**

1200743.9  
1200751.6  
1700740.8M001  
1700740.8M002  
1700740.8M003  
1700741.0M002  
1700741.0M003  
1700744.6  
1700745.9M001  
1700745.9M002

**16-04-2022**

1200711.2  
1200714.8  
1200717.5  
1700727.1

**20-04-2022**

1700748.5  
1700751.1  
1700756.2  
1700758.6  
1700760.0M001  
1700760.0M002  
1700760.0M003  
1700760.0M004  
1700760.0M005  
1700760.0M006  
1700764.8  
1700765.1

**17-04-2022**

1200724.9  
1200727.6  
1700728.3  
1700729.5

**18-04-2022**

0701047.7  
0701049.1  
1200740.3M001  
1200740.3M002  
1200740.3M003  
1700736.0M001  
1700736.0M002  
1700738.4





香港特別行政區政府知識產權署外觀設計註冊處

The Government of the Hong Kong Special Administrative Region

Designs Registry, Intellectual Property Department

根據註冊外觀設計規則第 31 條刪除的註冊外觀設計。各組記項按註冊外觀設計刪除日期及註冊編號先後次序排列。

**Registered designs removed under section 31 of the Registered Designs Rules. Entries are listed below under their removal dates.**

**24-04-2022 - 28-04-2022**

<b>24-04-2022</b>	1601956.6	1101859.5
1101797.3	1601972.9	1601987.1
1101800.1M001	1601973.1	1601988.3
1101801.3	1601975.6	1601989.5
1101802.5M001	1601976.8	1601990.7
1101802.5M002	1601977.0	1601991.9
1101802.5M003	1601978.2	1601992.1
1101802.5M004		1601993.3M001
1101803.7	<b>26-04-2022</b>	1601993.3M002
1101804.9M001	0602695.1	1601995.8
1101804.9M002	0602696.3	
1601959.2	0602698.7	<b>28-04-2022</b>
1601969.3	1101816.5	1101866.0
1601970.5	1101837.9	1101867.2
1601971.7	1601985.7	1101868.4
	1601986.9	1602009.9M001
		1602009.9M002

**25-04-2022**

1101805.2M001  
1101805.2M002  
1101805.2M003  
1101805.2M004  
1101805.2M005  
1101807.6M001  
1101808.8M003  
1101808.8M006  
1101808.8M007  
1101808.8M009  
1101811.4M001  
1101813.8  
1601880.4  
1601881.6  
1601882.8  
1601883.0  
1601884.2

**27-04-2022**

1101840.5M001  
1101840.5M002  
1101845.6  
1101846.8  
1101847.0  
1101848.2  
1101849.4  
1101850.6  
1101851.8  
1101852.0  
1101853.2  
1101854.4  
1101855.7  
1101856.9  
1101857.1  
1101858.3