

# 香港知識產權公報

Hong Kong Intellectual Property Journal

2022年4月14日

14 April 2022

## 目錄 Contents

### 根據註冊外觀設計條例第 25 條註冊的外觀設計

#### **Designs Registered under section 25 of the Registered Designs Ordinance**

按註冊編號排列

Arranged by Registration Number

### 根據註冊外觀設計條例(第 522 章)公布的其他公告

#### **Other Notices Published under the Registered Designs Ordinance (Cap. 522)**

根據註冊外觀設計條例第 28 條，註冊外觀設計因未繳續期費而停止有效

Registered designs ceased through non-payment of renewal fees under section 28 of the Registered Designs Ordinance

根據註冊外觀設計規則第 31 條刪除的註冊外觀設計

Registered designs removed under section 31 of the Registered Designs Rules

### 以下事項沒有記錄

#### **No Records for the Following Matters**

根據註冊外觀設計條例第 30 條放棄的外觀設計的註冊

Surrender of Registration of Design under section 30 of the Registered Designs Ordinance

根據註冊外觀設計規則第 37 條，向處長作出轉介

Reference to Registrar under section 37 of the Registered Designs Rules

根據註冊外觀設計條例第 45 條，撤銷註冊

Revocation of Registration under section 45 of the Registered Designs Ordinance

根據註冊外觀設計規則第 46 條，向法院作出轉介

Reference to Court under section 46 of the Registered Designs Rules

根據註冊外觀設計規則第 63 條對不符合規定之處作出糾正

Rectification of Irregularities under section 63 of the Registered Designs Rules

根據註冊外觀設計條例第 66 條，糾正註冊紀錄冊

Rectification of Register under section 66 of the Registered Designs Ordinance

根據註冊外觀設計條例第 67 條 更正註冊紀錄冊內的錯誤

Correction of errors in Register under section 67 of the Registered Designs Ordinance

根據註冊外觀設計條例第 67 及 76 條，更正註冊紀錄冊內及已提交文件中的錯誤

Correction of Errors in Register and in Filed Documents under sections 67 and 76 of the Registered Designs Ordinance

根據註冊外觀設計條例第 76 條，更正已提交文件中的錯誤

Correction of errors in filed documents under section 76 of the Registered Designs Ordinance

勘誤

Corrigendum

## 註冊外觀設計公告註釋

### Notes on advertisements of registration of designs

方括號表示下列資料：

Square brackets indicate the following data：

[11] 註冊編號 Registration number / 聯合王國註冊編號 United Kingdom registration number

[15] 註冊日期 Registration date / 當作註冊日期 Deemed registration date / 聯合王國註冊日期 United Kingdom registration date

[17] 註冊有效期屆滿日期 Expiry date of the period of registration

[22] 提交日期 Filing date / 當作提交日期 Deemed filing date / 聯合王國提交日期 United Kingdom filing date

[30] 聲稱享有的優先權（提交日期 / 巴黎公約國或世界貿易組織成員 / 申請編號） Priority claimed (filing date / Paris Convention country or WTO member / application number)

[51] 國際外觀設計分類號（洛迦諾分類號） International Classification of designs (Locarno Classification)

[54] 物品 Article

[55] 外觀設計的表述 Representation of the design

[62] 分開前的申請編號及提交日期 Application number before division and filing date

[66] 過往註冊的聯繫外觀設計註冊編號 / 日期 Registration No. / Date of Previous Registration for Association

[72] 設計人 Designer

[73] 擁有人姓名和地址 Name and address of the owner

[74] 代理人 Agent /送達地址 Address for service



香港特別行政區政府知識產權署外觀設計註冊處

The Government of the Hong Kong Special Administrative Region

Designs Registry, Intellectual Property Department

## 根據註冊外觀設計條例第 25 條註冊的外觀設計

### Designs registered under section 25 of the Registered Designs Ordinance

按註冊編號排列

Arranged by Registration Number

[11] 2118876.2

[15] 22-10-2021

[30] 14-10-2021 / EU / 008725824

[51] Cl. 12-15

[54] 輪胎  
Tyre

[73] Continental Reifen Deutschland GmbH  
Vahrenwalder Str. 9,  
Hannover 30165,  
Germany

[74] VINCENT LUK & ASSOCIATES  
Unit A, 13th Floor, Nathan Commercial Building,  
430 Nathan Road,  
Kowloon, Hong Kong



---

[11] 2118998.0M001

[15] 19-11-2021

[51] Cl. 9-01

[54] 預先包裝烏龍茶  
Prepacked oolong tea

[73] 曾國華  
TSANG KWOK WAH  
香港新界  
粉嶺安樂村  
業和街 19 街地下

[74] 曾國華先生  
香港新界  
粉嶺安樂村  
業和街 19 街地下



---

[11] 2118998.0M002

[15] 19-11-2021

[51] Cl. 9-01

[54] 預先包裝烏龍茶  
Prepacked oolong tea

[73] 曾國華  
TSANG KWOK WAH  
香港新界  
粉嶺安樂村  
業和街 19 街地下

[74] 曾國華先生  
香港新界  
粉嶺安樂村  
業和街 19 街地下



[11] 2118998.0M003

[15] 19-11-2021

[51] Cl. 9-01

[54] 預先包裝烏龍茶  
Prepacked oolong tea

[73] 曾國華  
TSANG KWOK WAH  
香港新界  
粉嶺安樂村  
業和街 19 街地下

[74] 曾國華先生  
香港新界  
粉嶺安樂村  
業和街 19 街地下





[11] 2118998.0M004

[15] 19-11-2021

[51] Cl. 9-01

[54] 預先包裝綠茶  
Prepacked green tea

[73] 曾國華  
TSANG KWOK WAH  
香港新界  
粉嶺安樂村  
業和街 19 街地下

[74] 曾國華先生  
香港新界  
粉嶺安樂村  
業和街 19 街地下



[11] 2118998.0M005

[15] 19-11-2021

[51] Cl. 9-01

[54] 預先包裝椰汁飲品  
Prepacked coconut milk

[73] 曾國華  
TSANG KWOK WAH  
香港新界  
粉嶺安樂村  
業和街 19 街地下

[74] 曾國華先生  
香港新界

粉嶺安樂村  
業和街 19 街地下



- 
- [11] 2119016.0
  - [15] 24-11-2021
  - [30] 24-05-2021 / FR / 20212498
  - [51] Cl. 3-01
  - [54] 袋  
Bag
  - [73] LOUIS VUITTON MALLETIER  
2 rue du Pont-Neuf,  
75001 Paris,  
France
  - [74] BAKER & MCKENZIE  
14th Floor, One Taikoo Place,  
979 King's Road,  
Quarry Bay, Hong Kong



---

[11] 2119017.2

[15] 24-11-2021

[30] 24-05-2021 / FR / 20212500

[51] Cl. 3-01

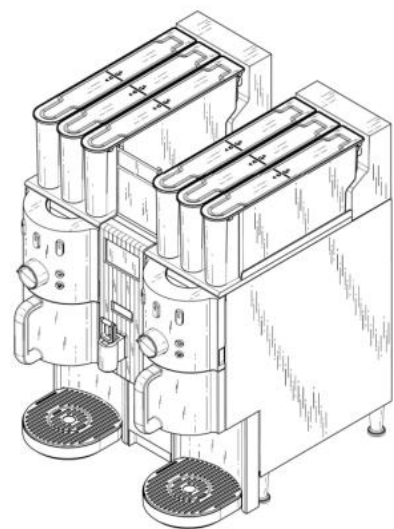
[54] 袋  
Bag

[73] LOUIS VUITTON MALLETIER  
2 rue du Pont-Neuf,  
75001 Paris,  
France

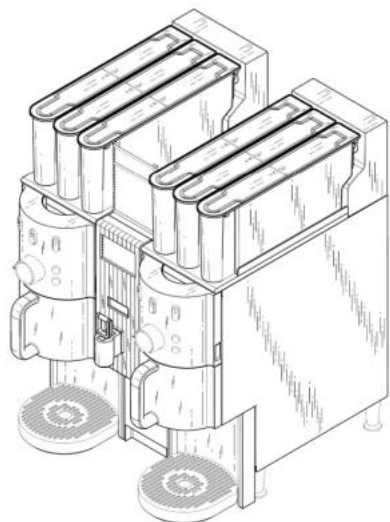
[74] BAKER & MCKENZIE  
14th Floor, One Taikoo Place,  
979 King's Road,  
Quarry Bay, Hong Kong



- [11] 2119037.4M001  
[15] 29-11-2021  
[30] 17-11-2021 / US / 29/790,291  
[51] Cl. 31-00  
[54] 飲料製造機  
Beverage brewing apparatus  
[73] Starbucks Corporation  
2401 Utah Avenue South  
Seattle 98134 Washington  
United States of America  
[74] ROBIN BRIDGE & JOHN LIU  
6th Floor, Emperor Commercial Centre,  
39 Des Voeux Road Central,  
Hong Kong



- 
- [11] 2119037.4M002  
[15] 29-11-2021  
[30] 17-11-2021 / US / 29/790,291  
[51] Cl. 31-00  
[54] 飲料製造機  
Beverage brewing apparatus  
[73] Starbucks Corporation  
2401 Utah Avenue South  
Seattle 98134 Washington  
United States of America  
[74] ROBIN BRIDGE & JOHN LIU  
6th Floor, Emperor Commercial Centre,  
39 Des Voeux Road Central,  
Hong Kong



---

[11] 2119072.7

[15] 02-12-2021

[30] 03-06-2021 / US / 29/786,965

[51] Cl. 14-01

[54] 揚聲器

Soundbar

[73] Bose Corporation

The Mountain, MS 3B1,

Framingham, Massachusetts 01701-9168,

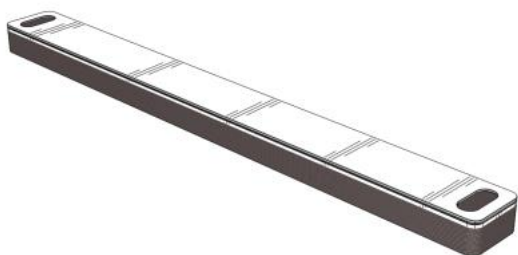
United States of America

[74] WENPING PATENT & TRADE MARK AGENT LIMITED

1701 Tung Wai Commercial Building,

111 Gloucester Road,

Hong Kong



---

[11] 2119103.4

[15] 08-12-2021

[30] 30-06-2021 / DE / 40 2021 100 580.3

[51] Cl. 21-01

[54] 比例模型

Scale model

[73] Bayerische Motoren Werke Aktiengesellschaft

Petuelring 130,

80809 Muenchen,

Germany

[74] HASTINGS & CO

5/F, Gloucester Tower, The Landmark,

11 Pedder Street, Central,

Hong Kong



---

[11] 2119109.7

[15] 08-12-2021

[30] 16-06-2021 / FR / 20212948

[51] Cl. 11-01

[54] 首飾

Jewellery

[73] LOUIS VUITTON MALLETIER

2 rue du Pont-Neuf,

75001 Paris,

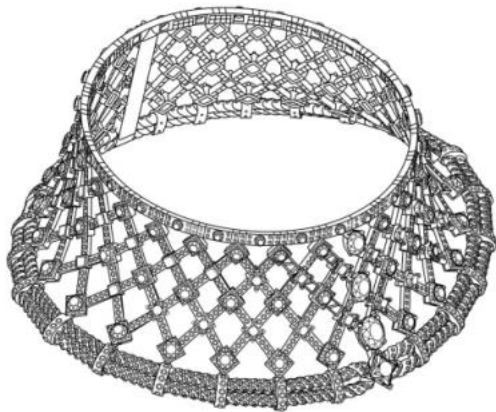
France

[74] BAKER & MCKENZIE

14th Floor, One Taikoo Place,

979 King's Road, Quarry Bay,

Hong Kong



---

[11] 2119110.9

[15] 08-12-2021

[30] 16-06-2021 / FR / 20212946

[51] Cl. 11-01

[54] 首飾

Jewellery

[73] LOUIS VUITTON MALLETIER

2 rue du Pont-Neuf,

75001 Paris,

France

[74] BAKER & MCKENZIE

14th Floor, One Taikoo Place,

979 King's Road, Quarry Bay,

Hong Kong



---

[11] 2119114.7

[15] 08-12-2021

[30] 08-06-2021 / FR / 20212786

[51] Cl. 11-01

[54] 首飾

Jewellery

[73] LOUIS VUITTON MALLETIER

2 rue du Pont-Neuf,  
75001 Paris,  
France

[74] BAKER & MCKENZIE

14th Floor, One Taikoo Place,  
979 King's Road, Quarry Bay,  
Hong Kong



---

[11] 2119117.4

[15] 08-12-2021

[30] 08-06-2021 / FR / 20212783

[51] Cl. 11-01

[54] 首飾

Jewellery

[73] LOUIS VUITTON MALLETIER

2 rue du Pont-Neuf,  
75001 Paris,  
France

[74] BAKER & MCKENZIE

14th Floor, One Taikoo Place,  
979 King's Road, Quarry Bay,  
Hong Kong





---

[11] 2119130.1

[15] 09-12-2021

[30] 30-06-2021 / DE / 40 2021 100 584.6

[51] Cl. 21-01

[54] 玩具或比例模型車

Toy or scale model vehicle

[73] Bayerische Motoren Werke Aktiengesellschaft

Petuelring 130,

80809 Muenchen,

Germany

[74] HASTINGS & CO

5/F, Gloucester Tower, The Landmark,

11 Pedder Street,

Central, Hong Kong



---

[11] 2119188.3

[15] 17-12-2021

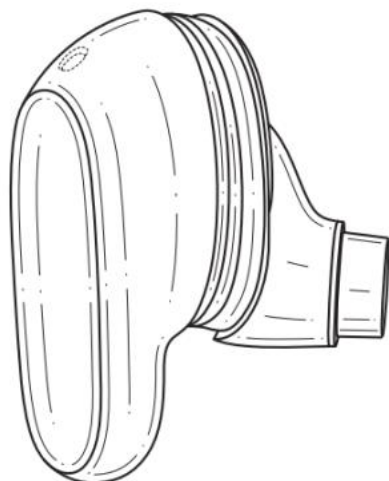
[30] 18-06-2021 / US / 29/795,608

[51] Cl. 14-01

[54] 耳塞式耳筒  
Earbud

[73] Bose Corporation  
The Mountain, MS 3B1,  
Framingham, Massachusetts 01701-9168,  
United States of America

[74] WENPING PATENT & TRADE MARK AGENT LIMITED  
1701 Tung Wai Commercial Building,  
111 Gloucester Road,  
Hong Kong



---

[11] 2119196.0M001

[15] 20-12-2021

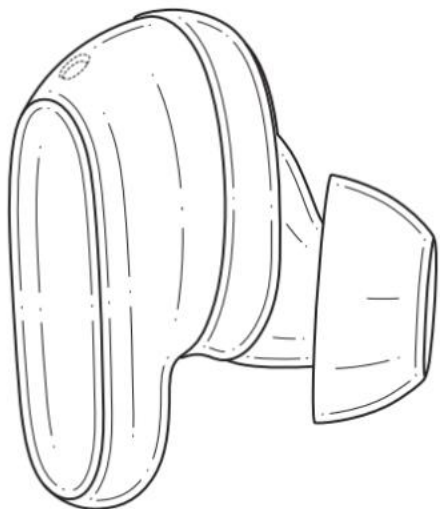
[30] 18-06-2021 / US / 29/795,602

[51] Cl. 14-01

[54] 耳塞式耳筒  
Earbud

[73] Bose Corporation  
The Mountain, MS 3B1,  
Framingham, Massachusetts 01701-9168,  
United States of America

[74] WENPING PATENT & TRADE MARK AGENT LIMITED  
1701 Tung Wai Commercial Building,  
111 Gloucester Road,  
Hong Kong



---

[11] 2119196.0M002

[15] 20-12-2021

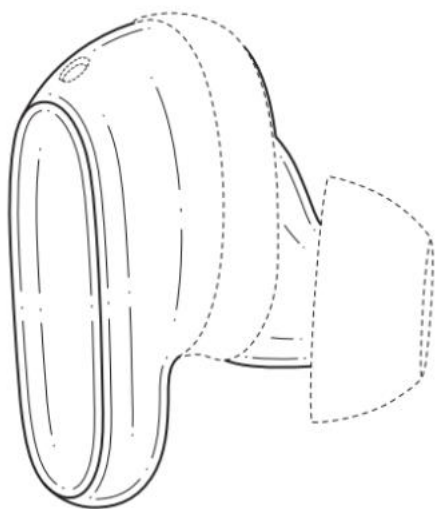
[30] 18-06-2021 / US / 29/795,602

[51] Cl. 14-01

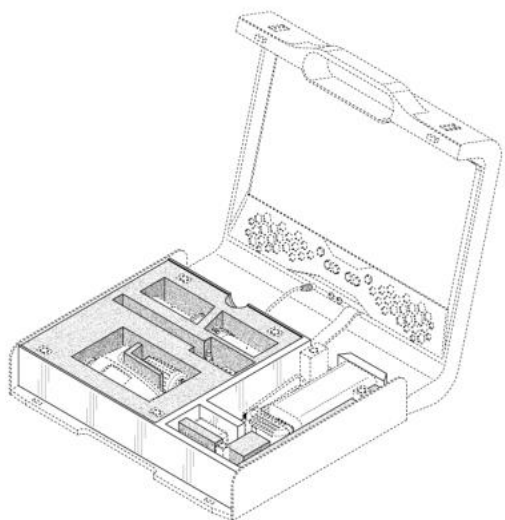
[54] 耳塞式耳筒  
Earbud

[73] Bose Corporation  
The Mountain, MS 3B1,  
Framingham, Massachusetts 01701-9168,  
United States of America

[74] WENPING PATENT & TRADE MARK AGENT LIMITED  
1701 Tung Wai Commercial Building,  
111 Gloucester Road,  
Hong Kong

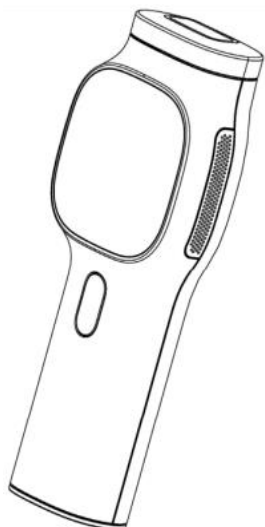


- [11] 2219264.5  
[15] 06-01-2022  
[30] 06-07-2021 / US / 29/798,156  
[51] Cl. 24-02  
[54] 便攜式成像系統  
Portable imaging system  
[73] Lazurite Holdings LLC  
5000 Euclid Avenue, Suite 206,  
Cleveland Heights, OH 44103,  
United States of America  
[74] BIRD & BIRD  
6/F, The Annex, Central Plaza,  
18 Harbour Road,  
Hong Kong



- 
- [11] 2219293.6  
[15] 13-01-2022  
[30] 27-08-2021 / CN / 202130564170.3  
[51] Cl. 28-03  
[54] 脫毛儀  
Hair removal device  
[73] 深圳可思美科技有限公司  
Shenzhen CosBeauty Technology Co., Ltd.  
301, 3rd Floor, Building A,  
Qiao De Science and Technology Park,  
Tian Liao Community, Guang Ming District,  
Shenzhen City, Guangdong Province, China  
[74] HONG KONG TRADEMARK & DESIGN PROTECTION AGENCY LIMITED  
6/F, Luk Kwok Centre,

72 Gloucester Road,  
Wan Chai, Hong Kong

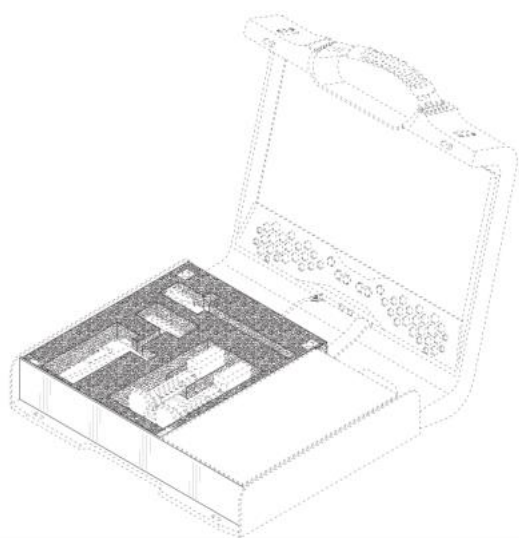


- 
- [11] 2219325.6  
[15] 21-01-2022  
[30] 10-01-2022 / CN / 202230012702.7  
[51] Cl. 12-08  
[54] 四輪電動汽車  
Four-wheel electric car  
[73] 浙江零跑科技股份有限公司  
Zhejiang Leapmotor Technology Co.,Ltd  
中國浙江省  
杭州市濱江區物聯網街 451 號  
芯圖大廈 1 樓  
[74] 中港專利有限公司  
香港灣仔  
告士打道 151 號  
資本中心 15 樓 1502 室



- 
- [11] 2219336.9

- [15] 25-01-2022
- [30] 06-08-2021 / US / 29/802,692
- [51] Cl. 24-02
- [54] 便攜式成像系統  
Portable imaging system
- [73] Lazurite Holdings LLC  
4760 Richmond Road,  
Suite 400 Warrensville Heights,  
OH 44128, United States of America
- [74] BIRD & BIRD  
6/F, The Annex, Central Plaza,  
18 Harbour Road,  
Hong Kong



- 
- [11] 2219343.3M001
  - [15] 26-01-2022
  - [30] 28-07-2021 / US / 29/801,383
  - [51] Cl. 2-02
  - [54] 用於服裝的圖案標誌  
Logo for garments
  - [73] CONSITEX S.A.  
Via Ligornetto 13,  
6855 Stabio,  
Switzerland
  - [74] CHINAHONGKONG PATENT LIMITED  
1502, 15/F, Capital Centre,  
151 Gloucester Road,  
Wanchai, Hong Kong



- 
- [11] 2219343.3M002  
[15] 26-01-2022  
[30] 28-07-2021 / US / 29/801,383  
[51] Cl. 2-02  
[54] 用於服裝的圖案標誌  
Logo for garments  
[73] CONSITEX S.A.  
Via Ligornetto 13,  
6855 Stabio,  
Switzerland  
[74] CHINAHONGKONG PATENT LIMITED  
1502, 15/F, Capital Centre,  
151 Gloucester Road,  
Wanchai, Hong Kong



- 
- [11] 2219343.3M003  
[15] 26-01-2022  
[30] 28-07-2021 / US / 29/801,383  
[51] Cl. 2-02  
[54] 用於服裝的圖案標誌  
Logo for garments  
[73] CONSITEX S.A.  
Via Ligornetto 13,  
6855 Stabio,  
Switzerland  
[74] CHINAHONGKONG PATENT LIMITED  
1502, 15/F, Capital Centre,  
151 Gloucester Road,  
Wanchai, Hong Kong



- [11] 2219343.3M004  
[15] 26-01-2022  
[30] 28-07-2021 / US / 29/801,383  
[51] Cl. 2-02  
[54] 用於服裝的圖案標誌  
Logo for garments  
[73] CONSITEX S.A.  
Via Ligornetto 13,  
6855 Stabio,  
Switzerland  
[74] CHINAHONGKONG PATENT LIMITED  
1502, 15/F, Capital Centre,  
151 Gloucester Road,  
Wanchai, Hong Kong



- 
- [11] 2219343.3M005  
[15] 26-01-2022  
[30] 28-07-2021 / US / 29/801,383  
[51] Cl. 2-02  
[54] 用於服裝的圖案標誌  
Logo for garments  
[73] CONSITEX S.A.  
Via Ligornetto 13,  
6855 Stabio,  
Switzerland  
[74] CHINAHONGKONG PATENT LIMITED  
1502, 15/F, Capital Centre,  
151 Gloucester Road,  
Wanchai, Hong Kong





[11] 2219344.5

[15] 26-01-2022

[30] 14-09-2021 / CN / 202130607650.3

[51] Cl. 12-05

[54] 倉儲機器人

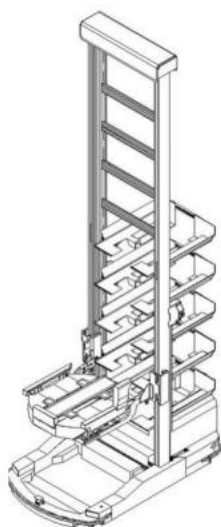
A warehousing robot

[73] HAI ROBOTICS CO., LTD.

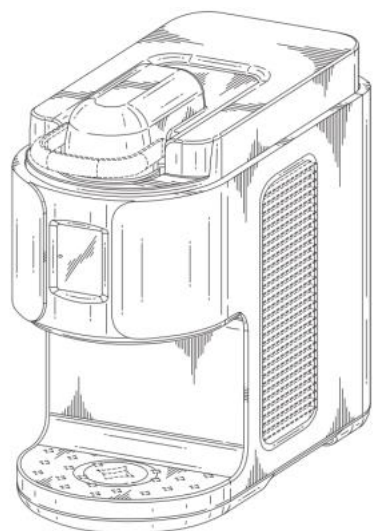
Room 201, 301, 401, Building B,  
Anluo Technology Industrial Park,  
Nanchang Community, Xixiang Street,  
Bao'an District, Shenzhen, Guangdong 518000, China

[74] CHAN, TANG & KWOK

Rooms 2503-4, 25/F,  
Shanghai Industrial Investment Building,  
48-62 Hennessy Road,  
Wanchai, Hong Kong



- [11] 2219351.0M001  
[15] 27-01-2022  
[30] 27-07-2021 / US / 29/788,783  
[51] Cl. 31-00  
[54] 冰淇淋機  
Ice cream machine  
[73] ColdSnap, Corp.  
6 Enterprise Road,  
Billerica, MA 01821,  
United States of America  
[74] BARRON & YOUNG INTELLECTUAL PROPERTY LIMITED  
Suite 617, Lakeside 2,  
No. 10 Science Park West Avenue,  
Hong Kong Science Park, Shatin,  
New Territories, Hong Kong



- 
- [11] 2219351.0M002  
[15] 27-01-2022  
[30] 27-07-2021 / US / 29/788,783  
[51] Cl. 31-00  
[54] 冰淇淋機  
Ice cream machine  
[73] ColdSnap, Corp.  
6 Enterprise Road,  
Billerica, MA 01821,  
United States of America  
[74] BARRON & YOUNG INTELLECTUAL PROPERTY LIMITED  
Suite 617, Lakeside 2,  
No. 10 Science Park West Avenue,

Hong Kong Science Park, Shatin,  
New Territories, Hong Kong



---

[11] 2219391.4

[15] 09-02-2022

[51] Cl. 21-01

[54] 布偶公仔衣服及裝飾

Doll clothing and decoration

[73] 呂虹欣

Lui Hung Yan

香港油麻地

上海街 349 號

六樓 B 室

[74] 卓遠知識產權有限公司

香港上環

禧利街 27 號

富輝商業中心 10 樓



---

[11] 2219397.7

[15] 10-02-2022

[51] Cl. 29-02

[54] 口罩  
Mask

[73] 中國衛生材料生產中心股份有限公司  
台灣  
彰化縣彰化市彰南路六段  
424 巷 21 號

[74] 香港匯澤知識產權代理有限公司  
香港九龍  
尖沙咀廣東道 5 號  
海港城海洋中心 8 樓 826 室



---

[11] 2219405.6

[15] 16-02-2022

[30] 02-09-2021 / US / 29/789,141

[51] Cl. 14-01

[54] 頭戴式耳機

Headphone

[73] Skullcandy, Inc.

6301 N. Landmark Drive Park City,

UT 84098,

United States of America

[74] CLT PATENT & TRADEMARK (H.K.) LIMITED

Unit 09, 34/F., Office Tower, Convention Plaza,

1 Harbour Road, Wanchai,

Hong Kong



---

[11] 2219407.0

[15] 16-02-2022

[30] 02-09-2021 / US / 29/789,140

[51] Cl. 14-01

[54] 頭戴式耳機

Headphone

[73] Skullcandy, Inc.

6301 N. Landmark Drive Park City,

UT 84098,

United States of America

[74] CLT PATENT & TRADEMARK (H.K.) LIMITED

Unit 09, 34/F., Office Tower, Convention Plaza,

1 Harbour Road, Wanchai,

Hong Kong



---

[11] 2219409.4M001

[15] 16-02-2022

[30] 13-09-2021 / CA, RU, CH, TR, GB, VN, EU, JP, KR / DM/218 196

[51] Cl. 7-02

[54] 廚具手柄

Handle for kitchen utensil

[73] Fissler GmbH

Harald-Fissler-Strasse 1,

55743 Idar-Oberstein,

Germany

[74] WILKINSON & GRIST

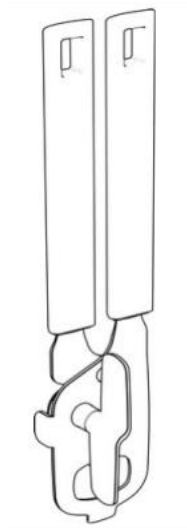
6th Floor, Prince's Building,

Chater Road,

Hong Kong



- [11] 2219409.4M002  
[15] 16-02-2022  
[30] 13-09-2021 / CA, RU, CH, TR, GB, VN, EU, JP, KR / DM/218 196  
[51] Cl. 7-99  
[54] 開罐器  
Can opener  
[73] Fissler GmbH  
Harald-Fissler-Strasse 1,  
55743 Idar-Oberstein,  
Germany  
[74] WILKINSON & GRIST  
6th Floor, Prince's Building,  
Chater Road,  
Hong Kong



- 
- [11] 2219409.4M003  
[15] 16-02-2022  
[30] 13-09-2021 / CA, RU, CH, TR, GB, VN, EU, JP, KR / DM/218 196  
[51] Cl. 7-04  
[54] 廚房用鏟  
Kitchen spatula  
[73] Fissler GmbH  
Harald-Fissler-Strasse 1,  
55743 Idar-Oberstein,  
Germany  
[74] WILKINSON & GRIST  
6th Floor, Prince's Building,  
Chater Road,  
Hong Kong



---

[11] 2219409.4M004

[15] 16-02-2022

[30] 13-09-2021 / CA, RU, CH, TR, GB, VN, EU, JP, KR / DM/218 196

[51] Cl. 7-04

[54] 廚房用鏟

Kitchen spatula

[73] Fissler GmbH

Harald-Fissler-Strasse 1,

55743 Idar-Oberstein,

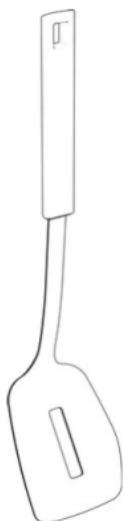
Germany

[74] WILKINSON & GRIST

6th Floor, Prince's Building,

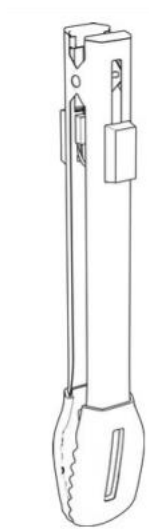
Chater Road,

Hong Kong

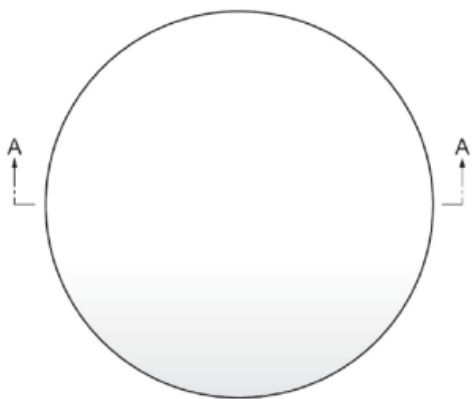




- [11] 2219409.4M005  
[15] 16-02-2022  
[30] 13-09-2021 / CA, RU, CH, TR, GB, VN, EU, JP, KR / DM/218 196  
[51] Cl. 7-06  
[54] 夾子  
Tong  
[73] Fissler GmbH  
Harald-Fissler-Strasse 1,  
55743 Idar-Oberstein,  
Germany  
[74] WILKINSON & GRIST  
6th Floor, Prince's Building,  
Chater Road,  
Hong Kong



- 
- [11] 2219423.3  
[15] 21-02-2022  
[30] 31-08-2021 / JP / 018713 of 2021  
[51] Cl. 16-06  
[54] 眼鏡鏡片  
Lens for eyeglasses  
[73] 睛姿控股公司  
JINS HOLDINGS Inc.  
26-4 Kawaharamachi 2-Chome,  
Maebashi-Shi, Gunma 3710046,  
Japan  
[74] CHANG TSI AND PARTNERS INTELLECTUAL PROPERTY (HK) LIMITED  
Level 19, Two INT'L Finance Ctr,  
8 Finance St,  
Central, Hong Kong



---

[11] 2219425.8

[15] 22-02-2022

[51] C1. 21-01

[54] 立體玩具城堡拼圖

3-Dimensional grand castle puzzle

[73] 愛立實業有限公司

Jeruel Industrial Company Limited

Unit H, 12/F., Gold King Industrial Building,

35-41 Tai Lin Pai Road, Kwai Chung,

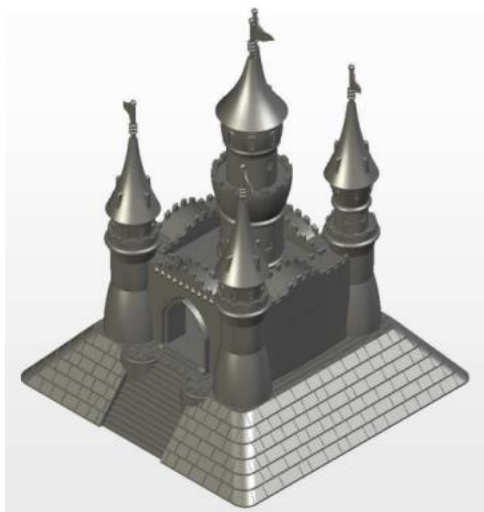
New Territories, Hong Kong

[74] ACCOLADE IP LIMITED

10/F, Fu Fai Comm. Ctr.,

27 Hillier Street,

Sheung Wan, Hong Kong



---

[11] 2219426.0

[15] 22-02-2022

[30] 31-08-2021 / EU / 008668701-0001

[51] Cl. 9-01

[54] 瓶子

Bottle

[73] Dexowl

Rue de l'Aéroport 50,  
4460 Grâce-Hollogne,  
Belgium

[74] NTD PATENT & TRADE MARK AGENCY LIMITED

Units 1805-6, 18/F.,  
Greenfield Tower, Concordia Plaza,  
No. 1 Science Museum Road,  
Tsimshatsui East, Kowloon, Hong Kong



---

[11] 2219428.4

[15] 22-02-2022

[30] 21-12-2021 / EU / 008804157

[51] Cl. 24-99

Cl. 24-04

[54] 耳塞

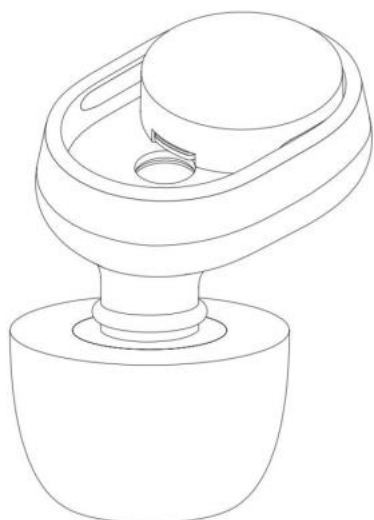
Ear plug

[73] Ear Labs AB

Grimsbygatan 24,  
211 20 Malmö,  
Sweden

[74] HNC INNOVATION LIMITED

Units 1205-1208, Cyberport 2,  
No. 100 Cyberport Road,  
Hong Kong



---

[11] 2219429.6M001

[15] 22-02-2022

[30] 15-09-2021 / CN / 202130613325.8

[51] Cl. 16-06

[54] 帶耳機的眼鏡

Glasses with earphones

[73] 深圳市韶音科技有限公司

Shenzhen Shokz Co., Ltd.

中國廣東省深圳市

寶安區石岩街道浪心社區石新社區

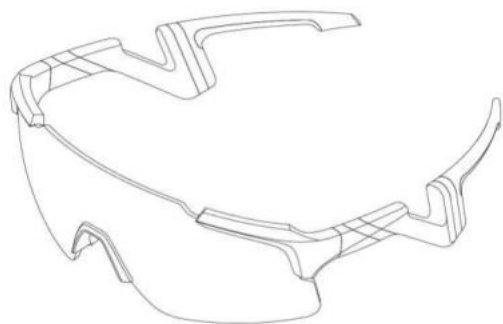
山城工業區 26 棟廠房一層至四層

[74] 中港知識產權有限公司

香港

灣仔告士打道 151 號

資本中心 15 樓 1502 室



---

[11] 2219429.6M002

[15] 22-02-2022

[30] 18-01-2022 / CN / 202230031240.3

[51] Cl. 16-06

[54] 帶耳機的眼鏡

Glasses with earphones

[73] 深圳市韶音科技有限公司

Shenzhen Shokz Co., Ltd.

中國廣東省深圳市

寶安區石岩街道浪心社區石新社區

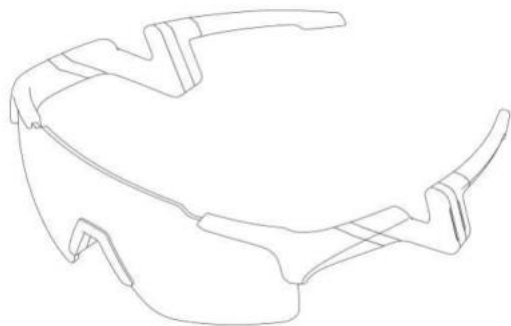
山城工業區 26 棟廠房一層至四層

[74] 中港知識產權有限公司

香港

灣仔告士打道 151 號

資本中心 15 樓 1502 室



---

[11] 2219429.6M003

[15] 22-02-2022

[30] 19-01-2022 / CN / 202230035646.9

[51] Cl. 16-06

[54] 帶耳機的眼鏡

Glasses with earphones

[73] 深圳市韶音科技有限公司

Shenzhen Shokz Co., Ltd.

中國廣東省深圳市

寶安區石岩街道浪心社區石新社區

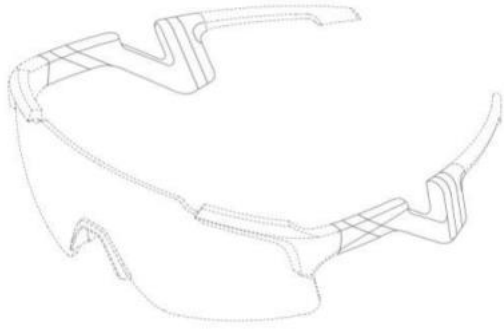
山城工業區 26 棟廠房一層至四層

[74] 中港知識產權有限公司

香港

灣仔告士打道 151 號

資本中心 15 樓 1502 室



- 
- [11] 2219431.0M001  
[15] 23-02-2022  
[30] 24-09-2021 / CN / 202130634240.8  
[51] C1. 14-02  
[54] 筆記本電腦  
Notebook computer  
[73] 榮耀終端有限公司  
HONOR DEVICE CO., LTD.  
中國廣東省深圳市福田區  
香蜜湖街道紅荔西路 8089 號  
深業中城 6 號樓 A 單元 3401  
[74] 集佳知識產權有限公司  
香港九龍  
旺角洗衣街 39-55 號  
金雞廣場 12 層 1201 室



- 
- [11] 2219431.0M002  
[15] 23-02-2022  
[30] 24-09-2021 / CN / 202130634240.8  
[51] C1. 14-02  
[54] 筆記本電腦  
Notebook computer  
[73] 榮耀終端有限公司  
HONOR DEVICE CO., LTD.  
中國廣東省深圳市福田區  
香蜜湖街道紅荔西路 8089 號  
深業中城 6 號樓 A 單元 3401

- [74] 集佳知識產權有限公司  
香港九龍  
旺角洗衣街 39-55 號  
金雞廣場 12 層 1201 室



- 
- [11] 2219433.4
  - [15] 24-02-2022
  - [30] 29-09-2021 / JP / 021090 of 2021
  - [51] Cl. 25-01
  - [54] 建築用板材  
Building board
  - [73] 吉野石膏株式會社  
YOSHINO GYPSUM CO., LTD.  
Shin-Tokyo Bldg.,  
3-1, Marunouchi 3-chome,  
Chiyoda-ku, Tokyo 100-0005, Japan
  - [74] UNITALEN ATTORNEYS AT LAW LIMITED  
Rm 1201, 12/F, Golden Era Plaza,  
39-55 Sai Yee Street, Mongkok,  
Kowloon, Hong Kong



- 
- [11] 2219434.6
  - [15] 24-02-2022

[30] 29-09-2021 / JP / 021092 of 2021

[51] Cl. 25-01

[54] 建築用板材  
Building board

[73] 吉野石膏株式會社  
YOSHINO GYPSUM CO., LTD.  
Shin-Tokyo Bldg.,  
3-1, Marunouchi 3-chome,  
Chiyoda-ku, Tokyo 100-0005, Japan

[74] UNITALEN ATTORNEYS AT LAW LIMITED  
Rm 1201, 12/F, Golden Era Plaza,  
39-55 Sai Yee Street, Mongkok,  
Kowloon, Hong Kong



---

[11] 2219435.9

[15] 24-02-2022

[30] 29-09-2021 / JP / 021091 of 2021

[51] Cl. 25-01

[54] 建築用板材  
Building board

[73] 吉野石膏株式會社  
YOSHINO GYPSUM CO., LTD.  
Shintokyo Building,  
3-1, Marunouchi 3-Chome,  
Chiyoda-Ku, Tokyo 100-0005, Japan

[74] UNITALEN ATTORNEYS AT LAW LIMITED  
Rm 1201, 12/F, Golden Era Plaza,  
39-55 Sai Yee Street, Mongkok,  
Kowloon, Hong Kong





- 
- [11] 2219436.1
  - [15] 24-02-2022
  - [30] 29-09-2021 / JP / 021093 of 2021
  - [51] Cl. 25-01
  - [54] 建築用板材  
Building board
  - [73] 吉野石膏株式會社  
YOSHINO GYPSUM CO., LTD.  
Shintokyo Building,  
3-1, Marunouchi 3-Chome,  
Chiyoda-Ku, Tokyo 100-0005, Japan
  - [74] UNITALEN ATTORNEYS AT LAW LIMITED  
Rm 1201, 12/F, Golden Era Plaza,  
39-55 Sai Yee Street, Mongkok,  
Kowloon, Hong Kong



[11] 2219439.7M001

[15] 24-02-2022

[30] 03-09-2021 / EU / 008672034

[51] Cl. 24-02

[54] 醫學診斷或實驗室用儀器和器具（尿液分析站）

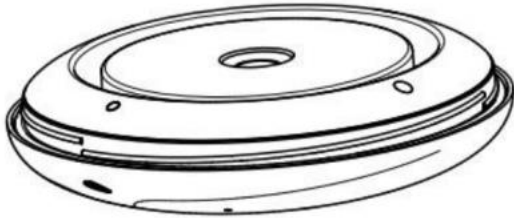
Instruments and utensils for medical diagnosis or laboratory  
(Urine Analysis Station)

[73] Withings

2 rue Maurice Hartmann,  
92130 Issy-Les-Moulineaux,  
France

[74] MELVIN LI INTELLECTUAL PROPERTY LIMITED

Level 35, Two Pacific Place,  
88 Queensway, Admiralty,  
Hong Kong



---

[11] 2219439.7M002

[15] 24-02-2022

[30] 03-09-2021 / EU / 008672034

[51] Cl. 24-02

[54] 醫學診斷或實驗室用儀器和器具（尿液分析站）

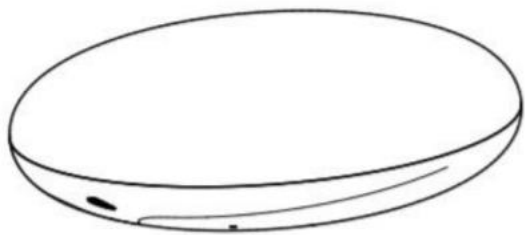
Instruments and utensils for medical diagnosis or laboratory  
(Urine Analysis Station)

[73] Withings

2 rue Maurice Hartmann,  
92130 Issy-Les-Moulineaux,  
France

[74] MELVIN LI INTELLECTUAL PROPERTY LIMITED

Level 35, Two Pacific Place,  
88 Queensway, Admiralty,  
Hong Kong



---

[11] 2219439.7M003

[15] 24-02-2022

[30] 03-09-2021 / EU / 008672034

[51] Cl. 24-02

[54] 醫學診斷或實驗室用儀器和器具（尿液分析站）

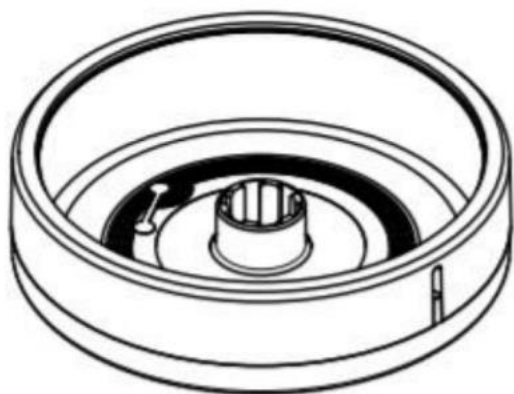
Instruments and utensils for medical diagnosis or laboratory  
(Urine Analysis Station)

[73] Withings

2 rue Maurice Hartmann,  
92130 Issy-Les-Moulineaux,  
France

[74] MELVIN LI INTELLECTUAL PROPERTY LIMITED

Level 35, Two Pacific Place,  
88 Queensway, Admiralty,  
Hong Kong



---

[11] 2219440.9

[15] 24-02-2022

[51] Cl. 12-08

[54] 客車

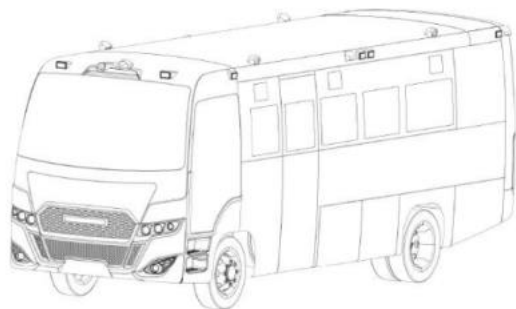
Bus

[73] 珠海廣通控股有限公司

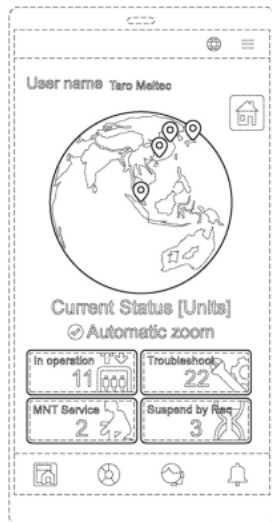
中國廣東省

珠海市金灣區三灶鎮機場西路 151 號  
辦公樓 302 室

- [74] 香港工業總會  
香港九龍  
長沙灣長裕街八號  
億京廣場三十一樓



- 
- [11] 2219441.1M001  
[15] 25-02-2022  
[30] 26-08-2021 / JP / 018427 of 2021  
[51] Cl. 14-04  
[54] 圖形用戶界面  
Graphical user interface  
[73] 三菱電機大樓技術服務株式會社  
MITSUBISHI ELECTRIC BUILDING TECHNO-SERVICE CO., LTD.  
7-1, Yurakucho 1-chome,  
Chiyoda-ku, Tokyo 100-0006,  
Japan  
[74] SANYOU INTELLECTUAL PROPERTY LIMITED  
Flat A, 6/F, Ho Lee Commercial Building,  
38-44 D'Aguilar Street,  
Central, Hong Kong



[11] 2219441.1M002

[15] 25-02-2022

[30] 26-08-2021 / JP / 018428 of 2021

[51] Cl. 14-04

[54] 圖形用戶界面

Graphical user interface

[73] 三菱電機大樓技術服務株式會社

MITSUBISHI ELECTRIC BUILDING TECHNO-SERVICE CO., LTD.

7-1, Yurakucho 1-chome,

Chiyoda-ku, Tokyo 100-0006,

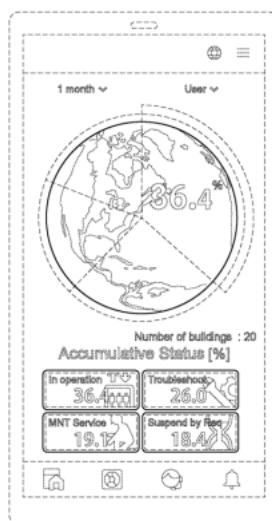
Japan

[74] SANYOU INTELLECTUAL PROPERTY LIMITED

Flat A, 6/F, Ho Lee Commercial Building,

38-44 D'Aguilar Street,

Central, Hong Kong





香港特別行政區政府知識產權署外觀設計註冊處

The Government of the Hong Kong Special Administrative Region

Designs Registry, Intellectual Property Department

根據註冊外觀設計條例第 28 條，下列註冊外觀設計因未繳續期費而停止有效。

各組記項按註冊外觀設計停止有效日期及註冊編號先後次序排列。

**Registered designs ceased through non-payment of renewal fees under section 28 of the Registered Designs Ordinance. Entries are listed below under their expiry dates.**

**10-03-2022 - 15-03-2022**

<b>10-03-2022</b>	<b>13-03-2022</b>	1700489.4M001
0210349.3	0700711.5M003	1700489.4M002
	0700711.5M004	1700491.8
<b>11-03-2022</b>	0700711.5M005	1700492.0
0210360.6	0700711.5M006	1700493.2
0210361.8	0700711.5M007	1700495.7
0700676.0	0700719.2	1700498.3
1200411.5M001	1200439.4	
1200411.5M002	1200440.6	<b>15-03-2022</b>
1200411.5M003	1200441.8M002	0700756.0M001
1200411.5M004	1200444.4M001	0700756.0M002
1200411.5M005	1200444.4M002	0700759.6M001
1200411.5M006	1200450.7	0700759.6M002
1200411.5M007	1700406.0	0700759.6M003
1200412.7	1700467.8	0700759.6M004
1200414.1	1700469.2	0700759.6M005
1200418.0	1700470.4	0700759.6M006
	1700473.0	0700759.6M007
<b>12-03-2022</b>	1700474.2	0700759.6M008
1200420.4	1700475.5	0700759.6M009
1200421.6	1700476.7	0700759.6M012
1200434.3M001	1700477.9	0700763.4
1200435.6M002	1700478.1M001	1200471.1
1200435.6M004	1700478.1M002	1700499.5
1700363.7	1700484.3	1700500.0
1700456.5	1700485.6	1700501.2
1700457.7		1700502.4
1700458.9	<b>14-03-2022</b>	1700503.6
1700460.3	0700736.8	1700504.8
1700463.9	1200468.5	1700505.1
1700464.1M001	1200469.7	1700506.3
1700464.1M002	1200470.9	1700507.5
1700466.6	1700487.0M002	1700508.7
	1700487.0M003	1700509.9

1700510.1  
1700511.3M001  
1700511.3M002  
1700511.3M003  
1700511.3M004  
1700511.3M005  
1700511.3M006  
1700511.3M007  
1700511.3M008  
1700511.3M009  
1700512.5M001  
1700512.5M002  
1700513.7M001  
1700513.7M002  
1700514.9M001  
1700514.9M002



香港特別行政區政府知識產權署外觀設計註冊處

The Government of the Hong Kong Special Administrative Region

Designs Registry, Intellectual Property Department

根據註冊外觀設計規則第 31 條刪除的註冊外觀設計。各組記項按註冊外觀設計刪除日期及註冊編號先後次序排列。

**Registered designs removed under section 31 of the Registered Designs Rules. Entries are listed below under their removal dates.**

**25-03-2022 - 29-03-2022**

<b>25-03-2022</b>	1601764.8M006
0602365.1	1601764.8M007
	1601764.8M008
<b>26-03-2022</b>	1601764.8M009
0111357.0	1601764.8M010
0111358.2	1601765.1
0111359.4	1601766.3
0111360.6	1601767.5
0111361.8	1601769.9
0602370.1M002	1601771.3M001
1601741.0	1601771.3M002
1601742.2M001	
1601742.2M002	<b>29-03-2022</b>
1601744.6M001	0602409.5
1601744.6M002	1101580.3
1601744.6M003	1601774.9M001
1601744.6M004	1601774.9M002
1601750.9	1601776.4M002
	1601776.4M003
<b>27-03-2022</b>	1601779.0
1601752.3	

**28-03-2022**

0602384.0M001  
0602384.0M002  
0602405.7  
0602406.9M002  
0602406.9M003  
1101570.2  
1601764.8M001  
1601764.8M002  
1601764.8M003  
1601764.8M004  
1601764.8M005