

香港知識產權公報

Hong Kong Intellectual Property Journal

2020年8月14日

14 August 2020



目錄 Contents

根據註冊外觀設計條例第 25 條註冊的外觀設計

Designs Registered under section 25 of the Registered Designs Ordinance

按註冊編號排列

Arranged by Registration Number

根據註冊外觀設計條例(第 522 章)公布的其他公告

Other Notices Published under the Registered Designs Ordinance (Cap. 522)

根據註冊外觀設計條例第 28 條，註冊外觀設計因未繳續期費而停止有效

Registered designs ceased through non-payment of renewal fees under section 28 of the Registered Designs Ordinance

根據註冊外觀設計規則第 31 條刪除的註冊外觀設計

Registered designs removed under section 31 of the Registered Designs Rules

勘誤

Corrigendum

以下事項沒有記錄

No Records for the Following Matters

根據註冊外觀設計條例第 30 條放棄的外觀設計的註冊

Surrender of Registration of Design under section 30 of the Registered Designs Ordinance

根據註冊外觀設計規則第 37 條，向處長作出轉介

Reference to Registrar under section 37 of the Registered Designs Rules

根據註冊外觀設計條例第 45 條，撤銷註冊

Revocation of Registration under section 45 of the Registered Designs Ordinance

根據註冊外觀設計規則第 46 條，向法院作出轉介

Reference to Court under section 46 of the Registered Designs Rules

根據註冊外觀設計規則第 63 條對不符合規定之處作出糾正

Rectification of Irregularities under section 63 of the Registered Designs Rules

根據註冊外觀設計條例第 66 條，糾正註冊紀錄冊

Rectification of Register under section 66 of the Registered Designs Ordinance

根據註冊外觀設計條例第 67 條 更正註冊紀錄冊內的錯誤

Correction of errors in Register under section 67 of the Registered Designs Ordinance

根據註冊外觀設計條例第 67 及 76 條，更正註冊紀錄冊內及已提交文件中的錯誤

Correction of Errors in Register and in Filed Documents under sections 67 and 76 of the Registered Designs Ordinance

根據註冊外觀設計條例第 76 條，更正已提交文件中的錯誤

Correction of errors in filed documents under section 76 of the Registered Designs Ordinance

註冊外觀設計公告註釋

Notes on advertisements of registration of designs

方括號表示下列資料：

Square brackets indicate the following data：

[11] 註冊編號 Registration number / 聯合王國註冊編號 United Kingdom registration number

[15] 註冊日期 Registration date / 當作註冊日期 Deemed registration date / 聯合王國註冊日期 United Kingdom registration date

[17] 註冊有效期屆滿日期 Expiry date of the period of registration

[22] 提交日期 Filing date / 當作提交日期 Deemed filing date / 聯合王國提交日期 United Kingdom filing date

[30] 聲稱享有的優先權（提交日期 / 巴黎公約國或世界貿易組織成員 / 申請編號） Priority claimed (filing date / Paris Convention country or WTO member / application number)

[51] 國際外觀設計分類號（洛迦諾分類號） International Classification of designs (Locarno Classification)

[54] 物品 Article

[55] 外觀設計的表述 Representation of the design

[62] 分開前的申請編號及提交日期 Application number before division and filing date

[66] 過往註冊的聯繫外觀設計註冊編號 / 日期 Registration No. / Date of Previous Registration for Association

[72] 設計人 Designer

[73] 擁有人姓名和地址 Name and address of the owner

[74] 代理人 Agent / 送達地址 Address for service



香港特別行政區政府知識產權署外觀設計註冊處

The Government of the Hong Kong Special Administrative Region

Designs Registry, Intellectual Property Department

根據註冊外觀設計條例第 25 條註冊的外觀設計

Designs registered under section 25 of the Registered Designs Ordinance

按註冊編號排列

Arranged by Registration Number

[11] 2015533.1

[15] 05-02-2020

[30] 06-08-2019 / CN / 201930425245.2

[51] C1. 8-07

[54] 鎖

Lock

[73] 雲丁網絡技術（北京）有限公司

中國內地

北京市海澱區北清路 81 號

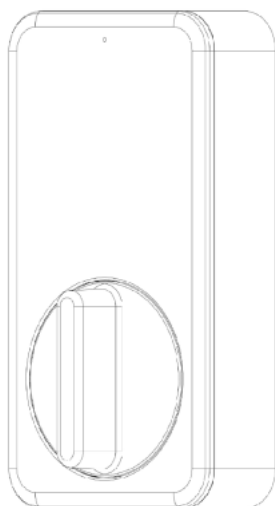
二區 1 號樓 10、11 層

[74] CHINA PATENT AGENT (HONG KONG) LIMITED

香港灣仔

港灣道 23 號

鷹君中心 22 字樓



[11] 2015829.9

[15] 23-03-2020

[51] Cl. 9-05

[54] 急凍帆立貝柱包裝袋

Packaging bag of frozen yesso scallops

[73] Onric Development Company Ltd.

香港

香港仔田灣海旁道 7 號

興偉工業中心 6 樓 613B 室

[74] Onric Development Company Ltd.

香港

香港仔田灣海旁道 7 號

興偉工業中心 6 樓 613B 室



[11] 2015831.3

[15] 23-03-2020

[51] Cl. 9-05

[54] 急凍比目魚扒包裝袋

Packaging bag of frozen halibut steak

[73] Leader Marine Products Trading Ltd.

香港

香港仔田灣海旁道 7 號

興偉工業中心 6 樓 613B 室

[74] Leader Marine Products Trading Ltd.

香港

香港仔田灣海旁道 7 號

興偉工業中心 6 樓 613B 室



[11] 2015835.2

[15] 23-03-2020

[51] Cl. 9-05

[54] 急凍韓國蠔包裝袋

Packaging bag of frozen oyster meat

[73] Leader Marine Products Trading Ltd.

香港

香港仔田灣海旁道 7 號

興偉工業中心 6 樓 613B 室

[74] Leader Marine Products Trading Ltd.

香港

香港仔田灣海旁道 7 號

興偉工業中心 6 樓 613B 室



[11] 2015837.6

[15] 23-03-2020

[51] Cl. 9-06

- [54] 冰鮮魚柳包裝帶
Packaging strip of chilled fillet
- [73] Onric Development Company Ltd.
香港
香港仔田灣海旁道 7 號
興偉工業中心 6 樓 613B 室
- [74] Onric Development Company Ltd.
香港
香港仔田灣海旁道 7 號
興偉工業中心 6 樓 613B 室



-
- [11] 2015839.0
- [15] 23-03-2020
- [51] Cl. 9-05
- [54] 急凍龍虎斑包裝袋
Packaging bag of frozen whole round pearl grouper
- [73] Onric Development Company Ltd.
香港
香港仔田灣海旁道 7 號
興偉工業中心 6 樓 613B 室
- [74] Onric Development Company Ltd.
香港
香港仔田灣海旁道 7 號
興偉工業中心 6 樓 613B 室



- [11] 2015841.4
[15] 23-03-2020
[51] Cl. 9-05
[54] 急凍虎蝦仁包裝袋
Packaging bag of frozen black tiger shrimp meat
[73] Leader Marine Products Trading Ltd.
香港
香港仔田灣海旁道 7 號
興偉工業中心 6 樓 613B 室
[74] Leader Marine Products Trading Ltd.
香港
香港仔田灣海旁道 7 號
興偉工業中心 6 樓 613B 室



-
- [11] 2015843.8
[15] 23-03-2020
[51] Cl. 9-05
[54] 急凍越南鯰魚柳包裝袋
Packaging bag of frozen Vietnam pangasius fillet
[73] Leader Marine Products Trading Ltd.
香港
香港仔田灣海旁道 7 號
興偉工業中心 6 樓 613B 室
[74] Leader Marine Products Trading Ltd.
香港
香港仔田灣海旁道 7 號
興偉工業中心 6 樓 613B 室



[11] 2015867.9M001

[15] 26-03-2020

[51] Cl. 11-01

[54] 飾物設計

Ornament design

[73] 六福集團有限公司

Luk Fook Holdings Company Limited
Floor 15, 20, 25 & 27, Metropole Square,
No. 2 On Yiu Street, Shatin,
New Territories, Hong Kong

[74] Luk Fook Holdings Company Limited (Legal Affairs Department)

Floor 25, Metropole, Square,
No.2 On Yiu Street,
Shatin, New Territories, Hong Kong



[11] 2015867.9M002

[15] 26-03-2020

[51] Cl. 11-01

[54] 飾物設計

Ornament design

[73] 六福集團有限公司

Luk Fook Holdings Company Limited
Floor 15, 20, 25 & 27, Metropole Square,
No. 2 On Yiu Street, Shatin,
New Territories, Hong Kong

[74] Luk Fook Holdings Company Limited (Legal Affairs Department)

Floor 25, Metropole, Square,
No.2 On Yiu Street,
Shatin, New Territories, Hong Kong



[11] 2015867.9M003

[15] 26-03-2020

[51] Cl. 11-01

[54] 飾物設計

Ornament design

[73] 六福集團有限公司

Luk Fook Holdings Company Limited

Floor 15, 20, 25 & 27, Metropole Square,

No. 2 On Yiu Street, Shatin,

New Territories, Hong Kong

[74] Luk Fook Holdings Company Limited (Legal Affairs Department)

Floor 25, Metropole, Square,

No.2 On Yiu Street,

Shatin, New Territories, Hong Kong



[11] 2015867.9M004

[15] 26-03-2020

[51] Cl. 11-01

[54] 飾物設計

Ornament design

[73] 六福集團有限公司

Luk Fook Holdings Company Limited
Floor 15, 20, 25 & 27, Metropole Square,
No. 2 On Yiu Street, Shatin,
New Territories, Hong Kong

[74] Luk Fook Holdings Company Limited (Legal Affairs Department)

Floor 25, Metropole, Square,
No.2 On Yiu Street,
Shatin, New Territories, Hong Kong



[11] 2015869.3

[15] 26-03-2020

[30] 22-11-2019 / US / 29/714,338

[51] Cl. 14-04

[54] 用於顯示屏的圖標

Icon for display screen

[73] Dart Industries Inc.

14901 S. Orange Blossom Trail,
Orlando, Florida 32837,
UNITED STATES

[74] WILKINSON & GRIST

6th Floor, Prince's Building,
Chater Road,
Hong Kong



[11] 2015871.7

[15] 26-03-2020

[51] Cl. 9-03

[54] 口罩盒

Mask box

[73] 鄭融嫻

CHENG, Yun Han

香港荃灣

青山公路 520-526

蔚景花園 39 樓 C 室

[74] QIHONG INTERNATIONAL BUSINESS LIMITED

香港灣仔

灣仔道 165-171 號

樂基中心 14 樓 1405C



[11] 2015873.1

[15] 30-03-2020

[51] Cl. 6-07

[54] 剃鬚鏡

Shaving mirror

[73] 渲美美健（深圳）科技股份有限公司

TOUCHBEAUTY BEAUTY & HEALTH (SHENZHEN) CO., LTD

中國內地

深圳市南山區西麗街道曙光社區中山園路

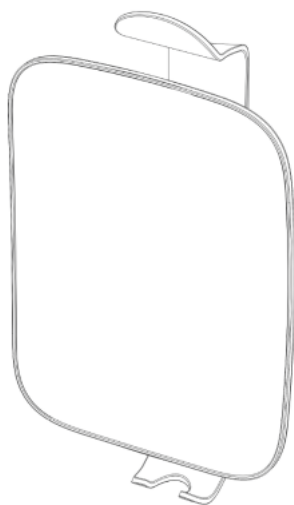
1001 號 TCL 科學園區 F5 棟 601、602

[74] 海思國際知識產權有限公司

香港灣仔

駱克道 301-307 號

洛克中心 19 樓 C 室



[11] 2015874.3

[15] 30-03-2020

[51] C1. 23-06

[54] 紫外線消毒機連無線手機充電器

UV sanitizer with wireless mobile phone charger

[73] 雷永傑

LUI WING KIT

香港九龍鑽石山

悅庭軒 1 座 38 樓 C 室

[74] 雷永傑

香港九龍鑽石山

悅庭軒 1 座 38 樓 C 室



[11] 2015875.6

[15] 30-03-2020

[30] 24-03-2020 / US / 29/729,132

[51] Cl. 13-03

[54] 調光開關掣

Dimmer switch

[73] Bocci Design and Manufacturing, Inc.

495 Railway Street,

Vancouver, British Columbia, V6A 1A7

CANADA

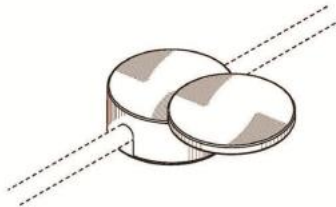
[74] ELLALAN

26th and 28th Floors, The Hennessy,

256 Hennessy Road, Wanchai,

HONG KONG

HONG KONG



[11] 2015877.0M001

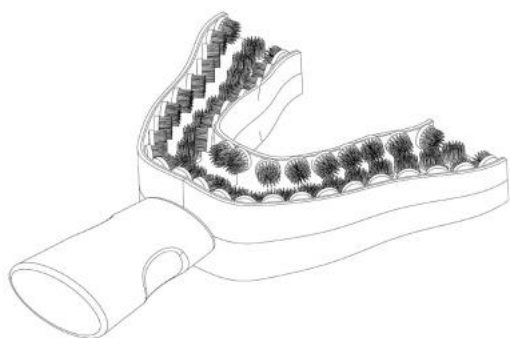
[15] 30-03-2020

[51] Cl. 28-03

[54] 全口電動牙刷
Full-mouth electronic toothbrush

[73] 陳家輝
CHAN KA FAI
11/F, Kai Tak Commercial Building,
No. 317-319 Des Voeux Road Central,
Hong Kong

[74] CHAN KA FAI
Flat G, 9/F, Block 1, Tsui Lai Garden,
9 Fung Nam Road,
Sheung Shui, N.T., Hong Kong



[11] 2015877.0M002

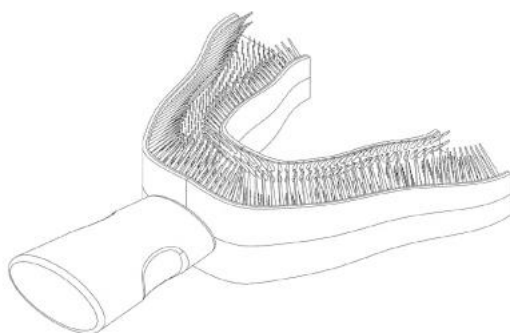
[15] 30-03-2020

[51] Cl. 28-03

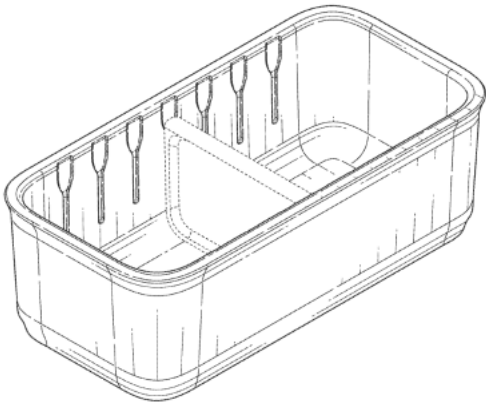
[54] 全口電動牙刷
Full-mouth electronic toothbrush

[73] 陳家輝
CHAN KA FAI
11/F, Kai Tak Commercial Building,
No. 317-319 Des Voeux Road Central,
Hong Kong

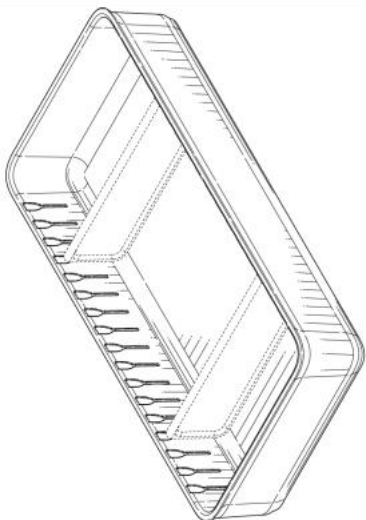
[74] CHAN KA FAI
Flat G, 9/F, Block 1, Tsui Lai Garden,
9 Fung Nam Road,
Sheung Shui, N.T., Hong Kong



- [11] 2015878.2
[15] 30-03-2020
[30] 04-10-2019 / US / 29/708,205
[51] Cl. 9-03
[54] 可調式收納盒
Adjustable storage bin
[73] Helen of Troy Limited
The Financial Services Centre,
Bishop's Court Hill, Suite 1,
St. Michael, Barbados 14004
[74] Bird & Bird
6/F, The Annex, Central Plaza
18 Harbour Road
Hong Kong



-
- [11] 2015879.4
[15] 30-03-2020
[30] 04-10-2019 / US / 29/708,222
[51] Cl. 9-03
[54] 可調式收納盒
Adjustable storage bin
[73] Helen of Troy Limited
The Financial Services Centre,
Bishop's Court Hill, Suite 1,
St. Michael, Barbados 14004
[74] Bird & Bird
6/F, The Annex, Central Plaza
18 Harbour Road
Hong Kong



[11] 2015880.6

[15] 30-03-2020

[30] 04-10-2019 / US / 29/708,220

[51] Cl. 9-03

[54] 可調式收納盒

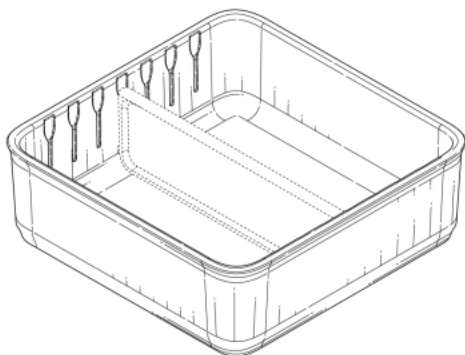
Adjustable storage bin

[73] Helen of Troy Limited

The Financial Services Centre,
Bishop's Court Hill, Suite 1,
St. Michael, Barbados 14004

[74] Bird & Bird

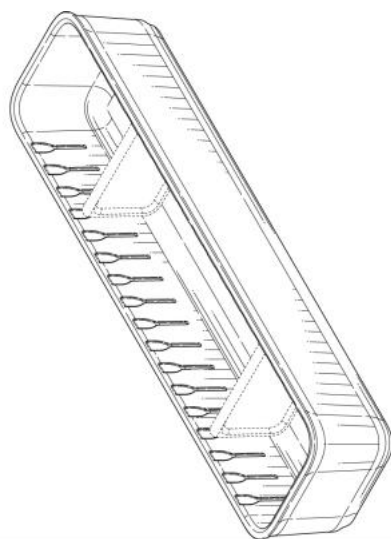
6/F, The Annex, Central Plaza
18 Harbour Road
Hong Kong



[11] 2015881.8

[15] 30-03-2020

- [30] 04-10-2019 / US / 29/708,219
- [51] Cl. 9-03
- [54] 可調式收納盒
Adjustable storage bin
- [73] Helen of Troy Limited
The Financial Services Centre,
Bishop's Court Hill, Suite 1,
St. Michael, Barbados 14004
- [74] Bird & Bird
6/F, The Annex, Central Plaza
18 Harbour Road
Hong Kong



-
- [11] 2015882.0
- [15] 30-03-2020
- [51] Cl. 5-02
- [54] 花邊
Lace
- [73] 雲傑震業集團有限公司
WIN-CYC GROUP LIMITED
香港新界葵涌
葵定路 1-11 號
美適工業大廈 7 樓 A 室
- [74] 環球註冊集團有限公司
香港九龍旺角
上海街 426 號
萬事昌商業中心 20 樓 2002 室



[11] 2015883.2

[15] 30-03-2020

[51] Cl. 26-05

[54] 照明和風扇裝置

Light and fan fixture

[73] Erik A. Kaiser

110 Wall Street,

5th Floor New York, NY 10005,

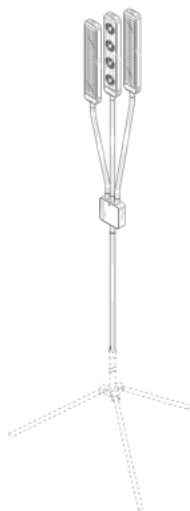
UNITED STATES

[74] CHINAHONGKONG IP LIMITED

3011, 30/F, Office Tower, Convention Plaza,

1 Harbour Road,

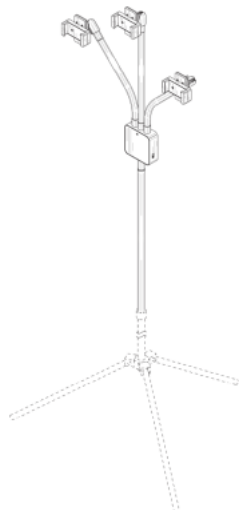
Hong Kong



- [11] 2015884.4
[15] 30-03-2020
[51] Cl. 26-05
[54] 帶有風扇裝置的照明燈
Light with fan fixture
[73] Erik A. Kaiser
110 Wall Street,
5th Floor New York, NY 10005,
UNITED STATES
[74] CHINAHONGKONG IP LIMITED
3011, 30/F, Office Tower, Convention Plaza,
1 Harbour Road,
Hong Kong



-
- [11] 2015885.7
[15] 30-03-2020
[51] Cl. 14-06
[54] 手機固定裝置
Cell phone mounting fixture
[73] Erik A. Kaiser
110 Wall Street,
5th Floor New York, NY 10005,
UNITED STATES
[74] CHINAHONGKONG IP LIMITED
3011, 30/F, Office Tower, Convention Plaza,
1 Harbour Road,
Hong Kong



[11] 2015886.9

[15] 30-03-2020

[51] Cl. 14-06

[54] 手機固定裝置

Cell phone mounting fixture

[73] Erik A. Kaiser

110 Wall Street,

5th Floor New York, NY 10005,

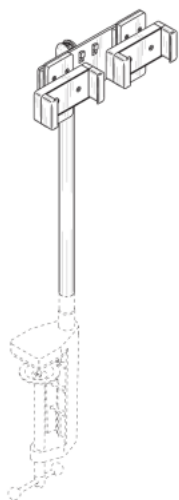
UNITED STATES

[74] CHINAHONGKONG IP LIMITED

3011, 30/F, Office Tower, Convention Plaza,

1 Harbour Road,

Hong Kong



[11] 2015887.1

[15] 30-03-2020

[51] Cl. 23-04

[54] 風扇裝置

Fan fixture

[73] Erik A. Kaiser

110 Wall Street,

5th Floor New York, NY 10005,

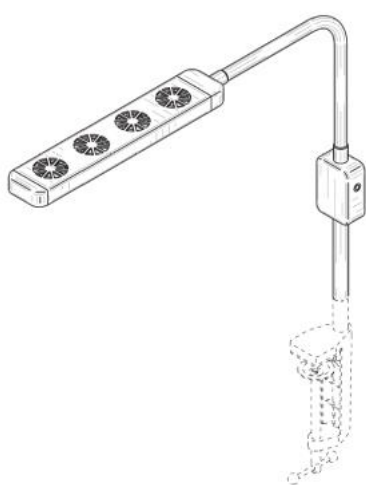
UNITED STATES

[74] CHINAHONGKONG IP LIMITED

3011, 30/F, Office Tower, Convention Plaza,

1 Harbour Road,

Hong Kong



[11] 2015888.3M001

[15] 31-03-2020

[30] 19-12-2019 / CA, RU, CH, EU, KR / DM/205 618

[51] Cl. 9-01

[54] 容器

Container

[73] Laboratoires La Prairie SA

Industriestrasse 8,

8604 Volketswil,

SWITZERLAND

[74] Rouse & Co. International (Overseas) Limited

18/F., Golden Centre,

188 Des Voeux Road Central,

Hong Kong



[11] 2015888.3M002

[15] 31-03-2020

[30] 19-12-2019 / CA, RU, CH, EU, KR / DM/205 618

[51] Cl. 9-01

[54] 容器

Container

[73] Laboratoires La Prairie SA

Industriestrasse 8,

8604 Volketswil,

SWITZERLAND

[74] Rouse & Co. International (Overseas) Limited

18/F., Golden Centre,

188 Des Voeux Road Central,

Hong Kong



[11] 2015889.5

[15] 31-03-2020

[30] 29-10-2019 / CH, EU / DM/205 190

[51] Cl. 10-02

[54] 手錶

Watch

[73] 巴黎若內公司

JAUNET PARIS

104 Boulevard Malesherbes,

75017 Paris,

France

[74] CLT PATENT & TRADEMARK (H.K.) LIMITED

Unit 09, 34/F., Office Tower, Convention Plaza,

No. 1 Harbour Road,

Wanchai, Hong Kong



[11] 2015890.7

[15] 31-03-2020

[30] 14-02-2020 / KR / 30-2020-0006608

[51] Cl. 21-01

[54] 玩具汽車

Toy vehicle

[73] 初淘樂玩具夢工廠有限公司

CHOIROCK CONTENTS FACTORY CO., LTD.

869,

Buil-Ro, Guro-Gu, Seoul,

KOREA, REPUBLIC OF

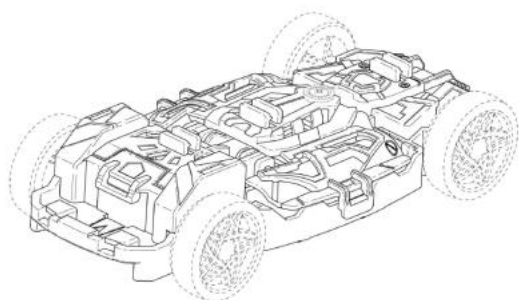
[74] GLOBAL PATENT INTELLECTUAL PROPERTY CO., LIMITED

Room 605, 6/F, Fa Yuen Commercial Building,

75-77 Fa Yuen Street,

Mongkok, Kowloon,

Hong Kong



[11] 2015891.9

[15] 31-03-2020

[30] 14-02-2020 / KR / 30-2020-0006607

[51] Cl. 21-01

[54] 玩具汽車

Toy vehicle

[73] 初淘樂玩具夢工廠有限公司

CHOIROCK CONTENTS FACTORY CO., LTD.

869

Buil-Ro, Guro-Gu, Seoul,

KOREA, REPUBLIC OF

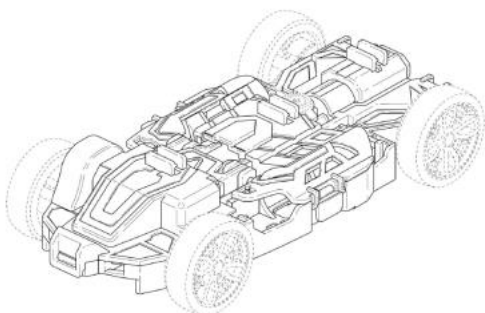
[74] GLOBAL PATENT INTELLECTUAL PROPERTY CO., LIMITED

Room 605, 6/F, Fa Yuen Commercial Building,

75-77 Fa Yuen Street,

Mongkok, Kowloon,

Hong Kong



[11] 2015892.1

[15] 31-03-2020

[30] 14-02-2020 / KR / 30-2020-0006606

[51] Cl. 21-01

[54] 玩具汽車

Toy vehicle

[73] 初淘樂玩具夢工廠有限公司

CHOIROCK CONTENTS FACTORY CO., LTD.

869,

Buil-Ro, Guro-Gu, Seoul,

KOREA, REPUBLIC OF

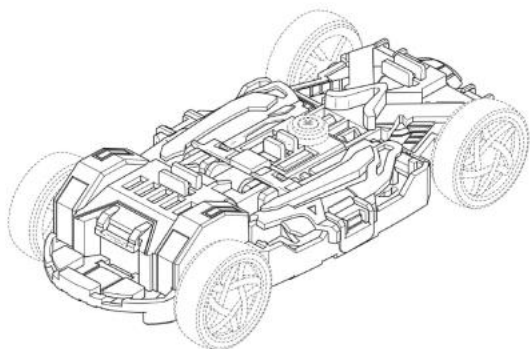
[74] GLOBAL PATENT INTELLECTUAL PROPERTY CO., LIMITED

Room 605, 6/F, Fa Yuen Commercial Building,

75-77 Fa Yuen Street,

Mongkok, Kowloon,

Hong Kong



[11] 2015893.3M001

[15] 31-03-2020

[30] 27-03-2020 / CH, GB, EU / WIPO93644

[51] Cl. 11-01

[54] 耳環

Earring

[73] Richemont International SA

Route des biches 10,

1752 Villars-Sur-Glane,

SWITZERLAND

[74] DEACONS

5th Floor, Alexandra House,

Central,

Hong Kong



[11] 2015893.3M002

[15] 31-03-2020

[30] 27-03-2020 / CH, GB, EU / WIPO93644

[51] Cl. 11-01

[54] 項鍊

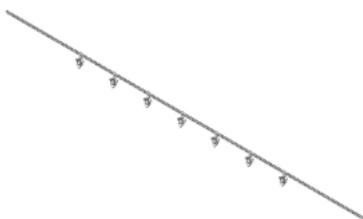
Necklace

[73] Richemont International SA

Route des biches 10,
1752 Villars-Sur-Glane,
SWITZERLAND

[74] DEACONS

5th Floor, Alexandra House,
Central,
Hong Kong



[11] 2015893.3M003

[15] 31-03-2020

[30] 27-03-2020 / CH, GB, EU / WIPO93644

[51] Cl. 11-01

[54] 手鐲

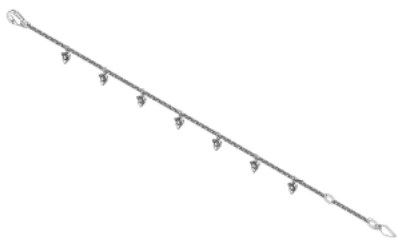
Bracelet

[73] Richemont International SA

Route des biches 10,
1752 Villars-Sur-Glane,
SWITZERLAND

[74] DEACONS

5th Floor, Alexandra House,
Central,
Hong Kong



[11] 2015893.3M004

[15] 31-03-2020

[30] 27-03-2020 / CH, GB, EU / WIPO93644

[51] Cl. 11-01

[54] 耳環

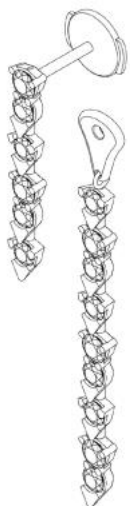
Earring

[73] Richemont International SA

Route des biches 10,
1752 Villars-Sur-Glane,
SWITZERLAND

[74] DEACONS

5th Floor, Alexandra House,
Central,
Hong Kong



[11] 2015893.3M005

[15] 31-03-2020

[30] 27-03-2020 / CH, GB, EU / WIPO93644

[51] Cl. 11-01

[54] 項鍊

Necklace

[73] Richemont International SA

Route des biches 10,
1752 Villars-Sur-Glane,
SWITZERLAND

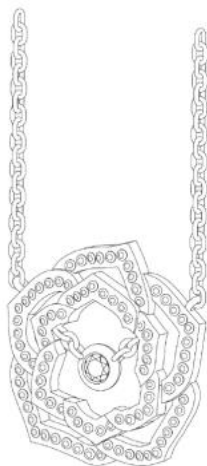
[74] DEACONS

5th Floor, Alexandra House,
Central,
Hong Kong

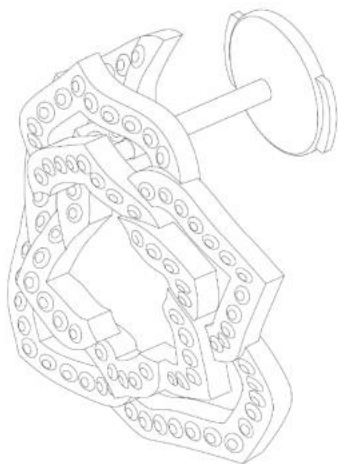


[11] 2015893.3M006

- [15] 31-03-2020
[30] 27-03-2020 / CH, GB, EU / WIPO93644
[51] Cl. 11-01
[54] 項鍊
Necklace
[73] Richemont International SA
Route des biches 10,
1752 Villars-Sur-Glane,
SWITZERLAND
[74] DEACONS
5th Floor, Alexandra House,
Central,
Hong Kong



-
- [11] 2015893.3M007
[15] 31-03-2020
[30] 27-03-2020 / CH, GB, EU / WIPO93644
[51] Cl. 11-01
[54] 耳環
Earring
[73] Richemont International SA
Route des biches 10,
1752 Villars-Sur-Glane,
SWITZERLAND
[74] DEACONS
5th Floor, Alexandra House,
Central,
Hong Kong



[11] 2015893.3M008

[15] 31-03-2020

[30] 27-03-2020 / CH, GB, EU / WIPO93644

[51] Cl. 11-01

[54] 項鍊

Necklace

[73] Richemont International SA

Route des biches 10,

1752 Villars-Sur-Glane,

SWITZERLAND

[74] DEACONS

5th Floor, Alexandra House,

Central,

Hong Kong



[11] 2015893.3M009

[15] 31-03-2020

[30] 27-03-2020 / CH, GB, EU / WIPO93644

[51] Cl. 11-01

[54] 耳環

Earring

[73] Richemont International SA

Route des biches 10,

1752 Villars-Sur-Glane,

SWITZERLAND

[74] DEACONS

5th Floor, Alexandra House,

Central,

Hong Kong



[11] 2015893.3M010

[15] 31-03-2020

[30] 27-03-2020 / CH, GB, EU / WIPO93644

[51] Cl. 11-01

[54] 項鍊

Necklace

[73] Richemont International SA

Route des biches 10,

1752 Villars-Sur-Glane,

SWITZERLAND

[74] DEACONS

5th Floor, Alexandra House,

Central,

Hong Kong



[11] 2015894.5M001

[15] 31-03-2020

[30] 28-10-2019 / WO / DM/204 352

[51] Cl. 11-01

[54] 耳環

Earring

[73] Harry Winston SA

Chemin du Tourbillon 8,
CH-1228 Plan-les-Ouates,
SWITZERLAND

[74] SPRUSON & FERGUSON (HONG KONG) LIMITED

5001 Hopewell Centre
183 Queen's Road East,
Wan Chai. Hong Kong



[11] 2015894.5M002

[15] 31-03-2020

[30] 28-10-2019 / WO / DM/204 352

[51] Cl. 11-01

[54] 手鐲

Bracelet

[73] Harry Winston SA

Chemin du Tourbillon 8,
CH-1228 Plan-les-Ouates,
SWITZERLAND

[74] SPRUSON & FERGUSON (HONG KONG) LIMITED

5001 Hopewell Centre
183 Queen's Road East,
Wan Chai. Hong Kong



[11] 2015894.5M003

[15] 31-03-2020

[30] 28-10-2019 / WO / DM/204 352

[51] Cl. 11-01

[54] 項鍊

Necklace

[73] Harry Winston SA

Chemin du Tourbillon 8,
CH-1228 Plan-les-Ouates,
SWITZERLAND

[74] SPRUSON & FERGUSON (HONG KONG) LIMITED

5001 Hopewell Centre
183 Queen's Road East,
Wan Chai. Hong Kong



[11] 2015894.5M004

[15] 31-03-2020

[30] 28-10-2019 / WO / DM/204 352

[51] Cl. 11-01

[54] 項鍊

Necklace

[73] Harry Winston SA
Chemin du Tourbillon 8,
CH-1228 Plan-les-Ouates,
SWITZERLAND

[74] SPRUSON & FERGUSON (HONG KONG) LIMITED
5001 Hopewell Centre
183 Queen's Road East,
Wan Chai. Hong Kong



[11] 2015895.8

[15] 31-03-2020

[51] Cl. 25-01

[54] 用於牆板的圖案

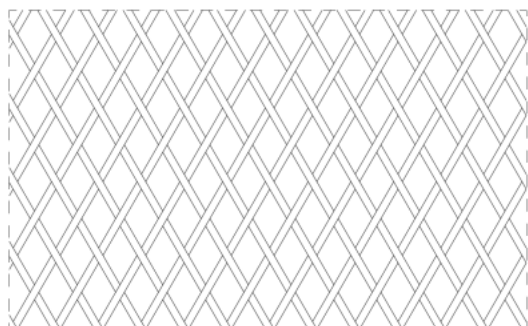
Pattern for wall planks

[73] 陳凱光

Chan Hoi Kong Brian
Room 9, 10/F, Block E,
Kaming Factory Building,
688-690 Castle Peak Road,
Lai Chi Kok, Hong Kong

FAADE DESIGN LTD
Room 9, 10/F, Block E,
Kaming Factory Building,
688-690 Castle Peak Road,
Lai Chi Kok, Hong Kong

[74] ACCOLADE IP LIMITED
10/F, Fu Fai Comm. Ctr.,
27 Hillier Street,
Sheung Wan, Hong Kong



[11] 2015897.2

[15] 31-03-2020

[51] Cl. 6-09

[54] 充氣枕

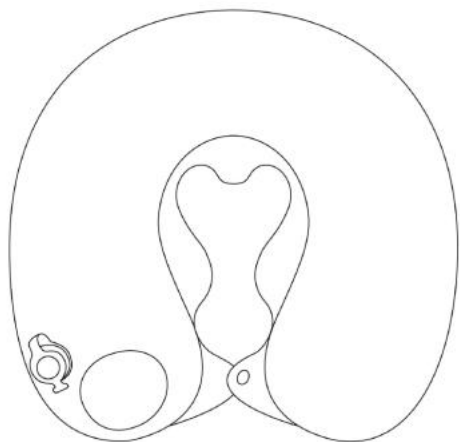
Inflatable pillow

[73] 瑞士歐斯科控股有限公司

Travelmall Switzerland Holdings Limited
Unit 1006, 10/F, Trust Centre,
912-914 Cheung Sha Wan Road,
Lai Chi Kok, Hong Kong

[74] LEUNG KIN & CO

9/F Hang Seng Yuen Long Building,
91-93 Castle Peak Road,
Yuen Long, Hong Kong



[11] 2015899.6

[15] 01-04-2020

[30] 06-01-2020 / CN / 202030005455.9

[51] Cl. 14-04

[54] 用於手機的圖形用戶界面

Graphical user interface for mobile phone

[73] 數字廣東網絡建設有限公司

Digital Guangdong Co., Ltd.

中國內地

510000 廣東省越秀區

東風中路 362 號頤德大廈 12 層

[74] 中港知識產權有限公司

香港港灣道 1 號

會展廣場

辦公大樓 30 樓 3011 室



- [11] 2015901.2
[15] 01-04-2020
[51] Cl. 14-03
[54] 無線集成天線
Wireless integrated antenna
[73] SG Wireless Limited
Room 504, 5/F, Sun Fung Industrial Building,
8-12 Ma Kok Street,
Tsuen Wan, New Territories,
Hong Kong
[74] IDEA INTELLECTUAL LIMITED
21st Floor, Skyway Centre,
23 Queen's Road West,
Sheung Wan, Hong Kong



-
- [11] 2015902.4M001
[15] 02-04-2020
[30] 18-10-2019 / CN / 201930569578.2
[51] Cl. 14-03
[54] 手機
Smartphone
[73] 北京小米移動軟件有限公司
BEIJING XIAOMI MOBILE SOFTWARE CO., LTD.
中國內地
北京市海澱區西二旗中路
33 號院 6 號樓 8 層 018 號
[74] 香港派特恩知識產權代理有限公司
香港上環
永樂街 121-125 號
永達商業大廈 10 樓 C 室



[11] 2015902.4M002

[15] 02-04-2020

[30] 18-10-2019 / CN / 201930569578.2

[51] Cl. 14-03

[54] 手機

Smartphone

[73] 北京小米移動軟件有限公司

BEIJING XIAOMI MOBILE SOFTWARE CO., LTD.

中國內地

北京市海澱區西二旗中路

33 號院 6 號樓 8 層 018 號

[74] 香港派特恩知識產權代理有限公司

香港上環

永樂街 121-125 號

永達商業大廈 10 樓 C 室



[11] 2015903.6M001

[15] 03-04-2020

[30] 03-12-2019 / CA, RU, CH, EU, KR / DM/205 438

[51] Cl. 28-03

[54] 面部按摩器

Facial massager

[73] Laboratoires La Prairie SA

Industriestrasse 8,

8604 Volketswil,

SWITZERLAND

[74] Rouse & Co. International (Overseas) Limited

18/F., Golden Centre,

188 Des Voeux Road Central,

Hong Kong



[11] 2015903.6M002

[15] 03-04-2020

[30] 03-12-2019 / CA, RU, CH, EU, KR / DM/205 438

[51] Cl. 28-03

[54] 面部按摩器

Facial massager

[73] Laboratoires La Prairie SA

Industriestrasse 8,

8604 Volketswil,

SWITZERLAND

[74] Rouse & Co. International (Overseas) Limited

18/F., Golden Centre,

188 Des Voeux Road Central,

Hong Kong



[11] 2015904.8

[15] 03-04-2020

[51] C1. 23-04

[54] 香薰機

Aroma diffuser

[73] 璞真生活有限公司

PUZHEN LIFE CO., LTD

Unit 1112-1116, 11/F, Delta House,

3 On Yiu Street,

Shatin, Hong Kong

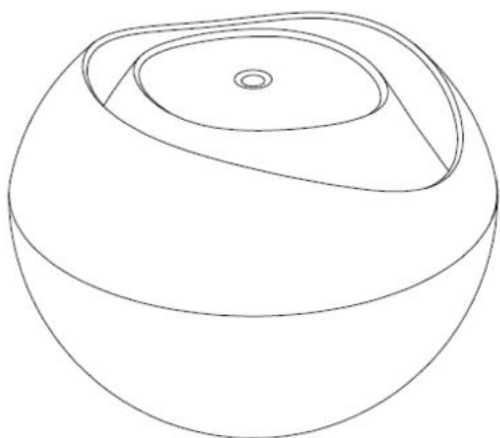
[74] FEDERATION OF HONG KONG INDUSTRIES

31/F, Billion Plaza,

8 Cheung Yue Street,

Cheung Sha Wan, Kowloon,

Hong Kong



[11] 2015905.1

[15] 03-04-2020

[51] Cl. 23-04

[54] 香薰機

Aroma diffuser

[73] 璞真生活有限公司

PUZHEN LIFE CO., LTD

Unit 1112-1116, 11/F, Delta House,

3 On Yiu Street,

Shatin, Hong Kong

[74] FEDERATION OF HONG KONG INDUSTRIES

31/F, Billion Plaza,

8 Cheung Yue Street,

Cheung Sha Wan, Kowloon,

Hong Kong



[11] 2015906.3

[15] 03-04-2020

[51] Cl. 11-02

[54] 植物栽培器

Plant cultivating device

[73] 綠色環保建設有限公司

InnoGreen Environmental Limited

Flat D, 16/F., Luk Hop Industrial Building,

No.8 Luk Hop Street,

San Po Kong, Kowloon, Hong Kong

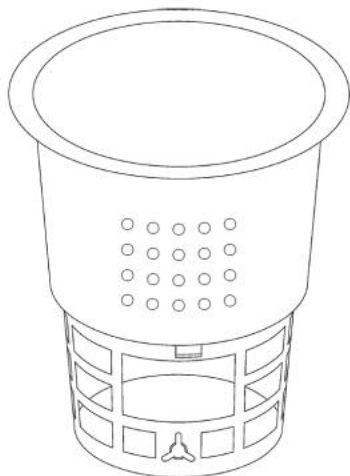
[74] CLY Lawyers

Offices A, E & F, 21/F.,

Yardley Commercial Building,

3 Connaught Road West,

Sheung Wan, Hong Kong



[11] 2015907.5

[15] 03-04-2020

[51] Cl. 11-02

[54] 植物栽培器的蓋

Plant cultivating device cover

[73] 綠色環保建設有限公司

InnoGreen Environmental Limited

Flat D, 16/F., Luk Hop Industrial Building,

No.8 Luk Hop Street,

San Po Kong, Kowloon, Hong Kong

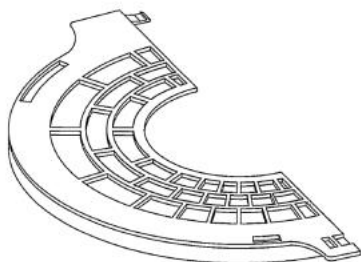
[74] CLY Lawyers

Offices A, E & F, 21/F.,

Yardley Commercial Building,

3 Connaught Road West,

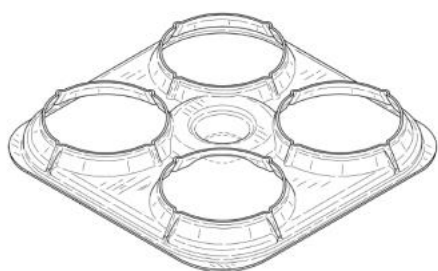
Sheung Wan, Hong Kong



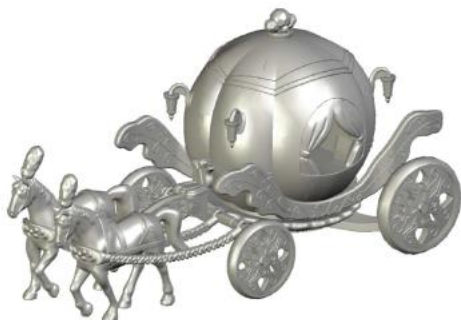
[11] 2015909.9

[15] 03-04-2020

- [30] 25-11-2019 / US / 29/714,702
- [51] Cl. 9-03
- [54] 飲料罐托
Holder for beverage cans
- [73] 祖美股份有限公司
ZUME, Inc.
250 Polaris Avenue Mountain View, California
94043 UNITED STATES OF AMERICA
- [74] CHINAHONGKONG IP LIMITED
3011, 30/F, Office Tower, Convention Plaza,
1 Harbour Road,
Hong Kong



-
- [11] 2015913.7M001
- [15] 03-04-2020
- [51] Cl. 21-01
- [54] Carriage shaped 3-Dimensional toy puzzle
馬車形立體玩具拼圖
- [73] 愛立實業有限公司
Jeruel Industrial Company Limited
Unit F, 16/F., Gold King Industrial Building,
35-41 Tai Lin Pai Road,
Kwai Chung, N.T.,
Hong Kong
- [74] ACCOLADE IP LIMITED
10/F, Fu Fai Comm. Ctr.,
27 Hillier Street,
Sheung Wan, Hong Kong



[11] 2015913.7M002

[15] 03-04-2020

[51] Cl. 21-01

[54] 3-Dimensional toy bear shaped puzzle
立體玩具熊形拼圖

[73] 愛立實業有限公司

Jeruel Industrial Company Limited

Unit F, 16/F., Gold King Industrial Building,

35-41 Tai Lin Pai Road,

Kwai Chung, N.T.,

Hong Kong

[74] ACCOLADE IP LIMITED

10/F, Fu Fai Comm. Ctr.,

27 Hillier Street,

Sheung Wan, Hong Kong



[11] 2015913.7M003

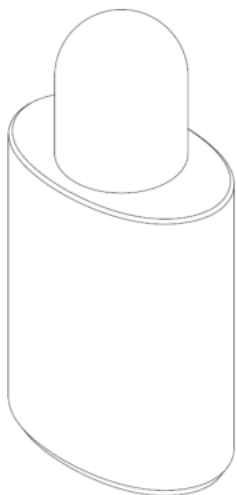
[15] 03-04-2020

[51] Cl. 21-01

- [54] Golden retriever shaped 3-Dimensional toy puzzle
金毛尋回犬形立體玩具拼圖
- [73] 愛立實業有限公司
Jeruel Industrial Company Limited
Unit F, 16/F., Gold King Industrial Building,
35-41 Tai Lin Pai Road,
Kwai Chung, N.T.,
Hong Kong
- [74] ACCOLADE IP LIMITED
10/F, Fu Fai Comm. Ctr.,
27 Hillier Street,
Sheung Wan, Hong Kong



-
- [11] 2015914.9
- [15] 03-04-2020
- [51] Cl. 23-04
- [54] 便攜式香薰機
Portable diffuser
- [73] 盛開蓮花有限公司
Bloomy Lotus Ltd
Unit 4711, 47/F., The Center,
99 Queen's Road Central,
Central, Hong Kong
- [74] FEDERATION OF HONG KONG INDUSTRIES
31/F, Billion Plaza,
8 Cheung Yue Street,
Cheung Sha Wan, Kowloon,
Hong Kong



[11] 2015915.2

[15] 03-04-2020

[51] Cl. 23-04

[54] 便攜式香薰機

Portable diffuser

[73] 盛開蓮花有限公司

Bloomy Lotus Ltd

Unit 4711, 47/F., The Center,

99 Queen's Road Central,

Central, Hong Kong

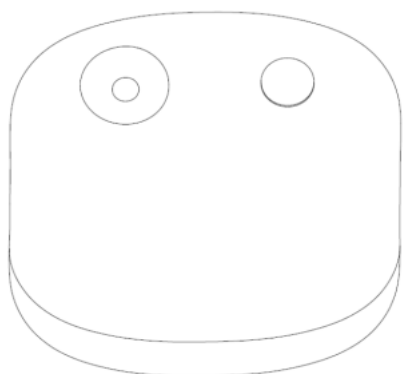
[74] FEDERATION OF HONG KONG INDUSTRIES

31/F, Billion Plaza,

8 Cheung Yue Street,

Cheung Sha Wan, Kowloon,

Hong Kong



[11] 2015916.4

[15] 03-04-2020

[51] Cl. 23-04

[54] 便攜式香薰機

Portable diffuser

[73] 盛開蓮花有限公司

Bloomy Lotus Ltd

Unit 4711, 47/F., The Center,

99 Queen's Road Central, Central

Hong Kong

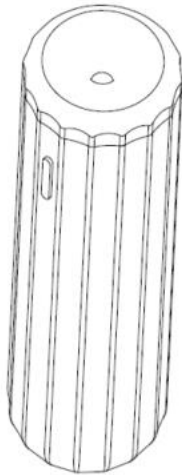
[74] FEDERATION OF HONG KONG INDUSTRIES

31/F, Billion Plaza,

8 Cheung Yue Street,

Cheung Sha Wan, Kowloon,

Hong Kong



[11] 2015917.6

[15] 03-04-2020

[51] Cl. 23-04

[54] 便攜式香薰機

Portable diffuser

[73] 盛開蓮花有限公司

Bloomy Lotus Ltd

Unit 4711, 47/F., The Center,

99 Queen's Road Central,

Central, Hong Kong

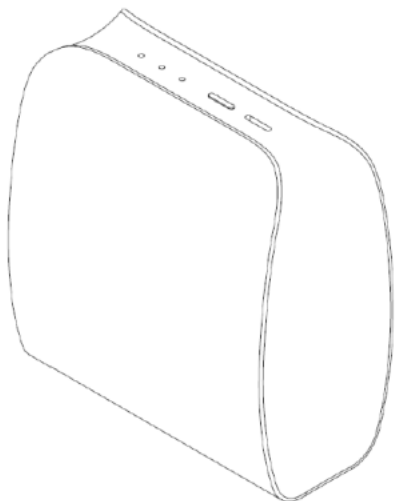
[74] FEDERATION OF HONG KONG INDUSTRIES

31/F, Billion Plaza,

8 Cheung Yue Street,

Cheung Sha Wan, Kowloon,

Hong Kong



[11] 2015918.8

[15] 03-04-2020

[51] Cl. 23-04

[54] 便攜式香薰機

Portable diffuser

[73] 盛開蓮花有限公司

Bloomy Lotus Ltd

Unit 4711, 47/F., The Center,

99 Queen's Road Central,

Central, Hong Kong

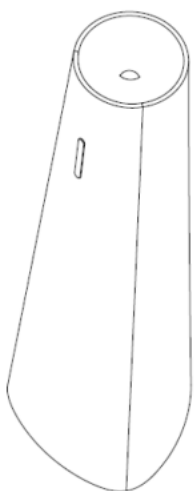
[74] FEDERATION OF HONG KONG INDUSTRIES

31/F, Billion Plaza,

8 Cheung Yue Street,

Cheung Sha Wan, Kowloon,

Hong Kong



-
- [11] 2015919.0
[15] 03-04-2020
[51] Cl. 9-03
[54] 包裝紙板盒
Cardboard for packaging
[73] 西佩爾呂登沙伊德有限及兩合公司
Sieper Lüdenscheid GmbH & Co. KG
Schlittenbacher Str. 60,
D-58511 Lüdenscheid,
GERMANY
[74] 商專國際知識產權事務有限公司
好景商業中心10樓1005室(B)
香港九龍旺角花園街2-16號
HONG KONG
HONG KONG



-
- [11] 2015920.2
[15] 03-04-2020
[51] Cl. 11-01
[54] 飾物設計
Ornament design
[73] 六福集團有限公司
Luk Fook Holdings Company Limited
Floor 15, 20, 25 & 27, Metropole Square,
No.2 On Yiu Street,
Shatin, New Territories, Hong Kong, China
[74] Luk Fook Holdings Company Limited (Legal Affairs Department)
Floor 25, Metropole Square,
No.2 On Yiu Street,
Shatin, New Territories, Hong Kong



[11] 2015922.6

[15] 06-04-2020

[51] Cl. 23-04

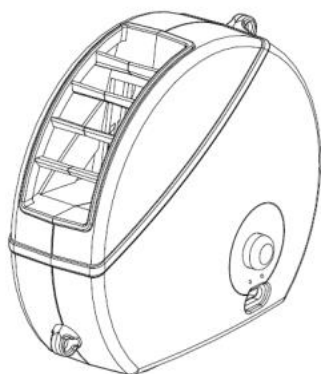
[54] 極端紫外線空氣消毒機
UVC air sterilizer

[73] 中興科技集團有限公司
John Technology Holdings Limited
Flat B, 7/F, Everwin Centre,
72 Hung To Road,
Kwun Tong, Kowloon, Hong Kong

袁仕傑

YUEN SE KIT
Flat B, 7/F, Everwin Centre,
72 Hung To Road,
Kwun Tong, Kowloon, Hong Kong

[74] JOHN TECHNOLOGY HOLDINGS LIMITED
FLAT B, 7/F, EVERWIN CENTRE,
72 HUNG TO ROAD,
KWUN TONG, KOWLOON, HONG KONG



[11] 2015924.0M001

[15] 07-04-2020

[51] Cl. 23-04

[54] 香薰機

Aroma diffuser

[73] 盛開蓮花有限公司

Bloomy Lotus Ltd

Unit 4711, 47/F., The Center,

99 Queen's Road Central,

Central, Hong Kong

[74] FEDERATION OF HONG KONG INDUSTRIES

31/F, Billion Plaza,

8 Cheung Yue Street,

Cheung Sha Wan, Kowloon,

Hong Kong



[11] 2015924.0M002

[15] 07-04-2020

[51] Cl. 23-04

[54] 香薰機

Aroma diffuser

[73] 盛開蓮花有限公司

Bloomy Lotus Ltd

Unit 4711, 47/F., The Center,

99 Queen's Road Central,

Central, Hong Kong

[74] FEDERATION OF HONG KONG INDUSTRIES

31/F, Billion Plaza,

8 Cheung Yue Street,

Cheung Sha Wan, Kowloon,

Hong Kong



[11] 2015924.0M003

[15] 07-04-2020

[51] Cl. 23-04

[54] 香薰機

Aroma diffuser

[73] 盛開蓮花有限公司

Bloomy Lotus Ltd

Unit 4711, 47/F., The Center,

99 Queen's Road Central,

Central, Hong Kong

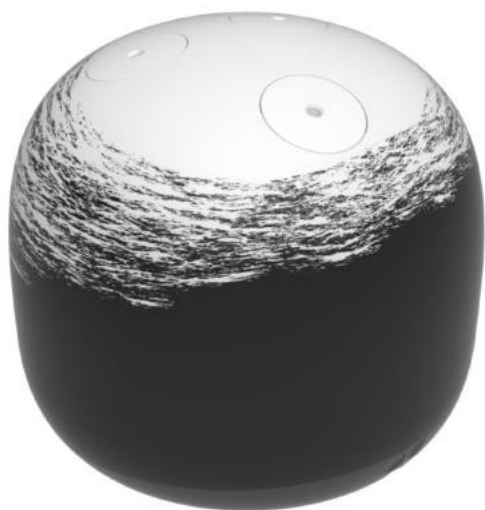
[74] FEDERATION OF HONG KONG INDUSTRIES

31/F, Billion Plaza,

8 Cheung Yue Street,

Cheung Sha Wan, Kowloon,

Hong Kong



- [11] 2015925.3
[15] 07-04-2020
[51] Cl. 9-03
[54] 香精油包裝盒
Essential oil packaging box
[73] 盛開蓮花有限公司
Bloomy Lotus Ltd
Unit 4711, 47/F., The Center,
99 Queen's Road Central,
Central, Hong Kong
[74] FEDERATION OF HONG KONG INDUSTRIES
31/F, Billion Plaza,
8 Cheung Yue Street,
Cheung Sha Wan, Kowloon,
Hong Kong



-
- [11] 2015926.5M001
[15] 07-04-2020
[30] 01-11-2019 / CA, AM, AZ, BZ, BA, GE, LI, MK, MD, MC, MN, ME,
MA, NO, OM, RU, SG, CH, TN, TR, UA, GB, EU, AL, KG / DM/205
045
[51] Cl. 11-01
[54] 耳環
Earring
[73] Harry Winston SA
Chemin du Tourbillon 8,
CH-1228 Plan-les-Ouates,
SWITZERLAND
[74] SPRUSON & FERGUSON (HONG KONG) LIMITED
5001 Hopewell Centre

183 Queen's Road East,
Wan Chai. Hong Kong



[11] 2015926.5M002

[15] 07-04-2020

[30] 01-11-2019 / CA, AM, AZ, BZ, BA, GE, LI, MK, MD, MC, MN, ME, MA, NO, OM, RU, SG, CH, TN, TR, UA, GB, EU, AL, KG / DM/205 045

[51] Cl. 11-01

[54] 項鍊

Necklace

[73] Harry Winston SA

Chemin du Tourbillon 8,
CH-1228 Plan-les-Ouates,
SWITZERLAND

[74] SPRUSON & FERGUSON (HONG KONG) LIMITED

5001 Hopewell Centre
183 Queen's Road East,
Wan Chai. Hong Kong



[11] 2015926.5M003

[15] 07-04-2020

[30] 01-11-2019 / CA, AM, AZ, BZ, BA, GE, LI, MK, MD, MC, MN, ME, MA, NO, OM, RU, SG, CH, TN, TR, UA, GB, EU, AL, KG / DM/205 045

[51] Cl. 11-01

[54] 耳環

Earring

[73] Harry Winston SA
Chemin du Tourbillon 8,
CH-1228 Plan-les-Ouates,
SWITZERLAND

[74] SPRUSON & FERGUSON (HONG KONG) LIMITED
5001 Hopewell Centre
183 Queen's Road East,
Wan Chai. Hong Kong



[11] 2015926.5M004

[15] 07-04-2020

[30] 01-11-2019 / CA, AM, AZ, BZ, BA, GE, LI, MK, MD, MC, MN, ME, MA, NO, OM, RU, SG, CH, TN, TR, UA, GB, EU, AL, KG / DM/205 045

[51] Cl. 11-01

[54] 指環

Ring

[73] Harry Winston SA
Chemin du Tourbillon 8,
CH-1228 Plan-les-Ouates,
SWITZERLAND

[74] SPRUSON & FERGUSON (HONG KONG) LIMITED
5001 Hopewell Centre
183 Queen's Road East,
Wan Chai. Hong Kong



[11] 2015926.5M005

[15] 07-04-2020

[30] 01-11-2019 / CA, AM, AZ, BZ, BA, GE, LI, MK, MD, MC, MN, ME, MA, NO, OM, RU, SG, CH, TN, TR, UA, GB, EU, AL, KG / DM/205 045

[51] Cl. 11-01

[54] 項鍊

Necklace

[73] Harry Winston SA
Chemin du Tourbillon 8,
CH-1228 Plan-les-Ouates,
SWITZERLAND

[74] SPRUSON & FERGUSON (HONG KONG) LIMITED
5001 Hopewell Centre
183 Queen's Road East,
Wan Chai. Hong Kong



[11] 2015928.9

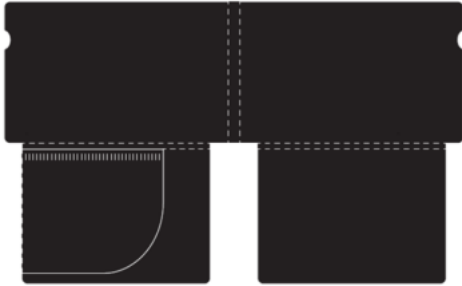
[15] 07-04-2020

[51] Cl. 3-01

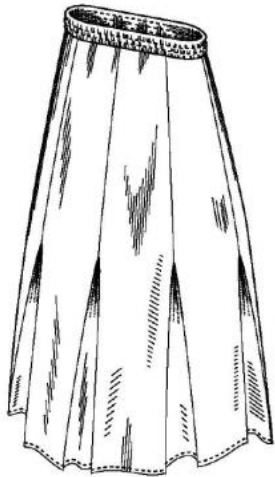
[54] 口罩套

Mask holder

- [73] MCastle Holdings Ltd
Unit 902, 9F, New East Ocean Ctr.,
9 Science Museum Road,
Tsim Sha Tsui, Hong Kong
- [74] ACCOLADE IP LIMITED
10/F, Fu Fai Comm. Ctr.,
27 Hillier Street,
Sheung Wan, Hong Kong



-
- [11] 2015929.1
- [15] 07-04-2020
- [30] 10-10-2019 / JP / 022697 of 2019
- [51] Cl. 2-02
- [54] 裙
Skirt
- [73] Fast Retailing Co., Ltd.
717-1 Sayama, Yamaguchi City,
Yamaguchi 754-0894,
JAPAN
- [74] NORTON ROSE FULBRIGHT HONG KONG
38/F Jardine House,
1 Connaught Place,
Central, Hong Kong



[11] 2015930.3

[15] 07-04-2020

[51] Cl. 24-01

[54] 防疫屏障

Anti-epidemic barrier

[73] Tsui Wing Kei Vicky

Room 1501, 15 McDonald's Building,

48 Yee Wo Street,

Causeway Bay, Hong Kong

[74] ACCOLADE IP LIMITED

10/F, Fu Fai Comm. Ctr.,

27 Hillier Street,

Sheung Wan, Hong Kong



- [11] 2015935.4
[15] 08-04-2020
[30] 09-10-2019 / EU / 007001110-0002
[51] Cl. 13-02
[54] 移動設備電池充電盒或電池充電器
Battery charging case for mobile devices or battery charger
[73] Würth International AG
Aspermontstrasse 1,
7000 Chur,
SWITZERLAND
[74] TRADEMARKCN COMPANY LIMITED
Block A, 4/F., Granville Building,
14 Granville Road,
Tsim Sha Tsui, Kowloon,
Hong Kong



-
- [11] 2015936.6
[15] 08-04-2020
[30] 09-10-2019 / EU / 007002159-0001
[51] Cl. 13-02
[54] 電池單元
Battery unit
[73] Würth International AG
Aspermontstrasse 1,
7000 Chur,
SWITZERLAND
[74] TRADEMARKCN COMPANY LIMITED
Block A, 4/F., Granville Building,
14 Granville Road,
Tsim Sha Tsui, Kowloon,
Hong Kong



[11] 2015937.8

[15] 08-04-2020

[30] 09-10-2019 / EU / 007002134-0001

[51] Cl. 8-05

[54] 粘膠槍

Mastic gun

[73] Würth International AG

Aspermontstrasse 1,

7000 Chur,

SWITZERLAND

[74] TRADEMARKCN COMPANY LIMITED

Block A, 4/F., Granville Building,

14 Granville Road,

Tsim Sha Tsui, Kowloon,

Hong Kong



[11] 2015938.0

[15] 08-04-2020

[30] 09-10-2019 / EU / 007002134-0002

[51] Cl. 8-04

[54] 充電式螺絲刀

Battery screwdriver

[73] Würth International AG
Aspermontstrasse 1,
7000 Chur,
SWITZERLAND

[74] TRADEMARKCN COMPANY LIMITED
Block A, 4/F., Granville Building,
14 Granville Road,
Tsim Sha Tsui, Kowloon,
Hong Kong



[11] 2015940.4

[15] 08-04-2020

[30] 09-10-2019 / EU / 007002134-0004

[51] Cl. 8-03

[54] 鋸孔機

Hole saw

[73] Würth International AG
Aspermontstrasse 1,
7000 Chur,
SWITZERLAND

[74] TRADEMARKCN COMPANY LIMITED
Block A, 4/F., Granville Building,
14 Granville Road,
Tsim Sha Tsui, Kowloon,
Hong Kong



[11] 2015941.6

[15] 08-04-2020

[30] 09-10-2019 / EU / 007002134-0005

[51] Cl. 8-03

[54] 圓鋸

Circular saw

[73] Würth International AG

Aspermontstrasse 1,

7000 Chur,

SWITZERLAND

[74] TRADEMARKCN COMPANY LIMITED

Block A, 4/F., Granville Building,

14 Granville Road,

Tsim Sha Tsui, Kowloon,

Hong Kong



[11] 2015942.8

[15] 08-04-2020

[30] 09-10-2019 / EU / 007002134-0006

[51] Cl. 8-01

[54] 衝擊鑽

Drilling hammer

[73] Würth International AG

Aspermontstrasse 1,
7000 Chur,
SWITZERLAND

[74] TRADEMARKCN COMPANY LIMITED

Block A, 4/F., Granville Building,
14 Granville Road,
Tsim Sha Tsui, Kowloon,
Hong Kong



[11] 2015943.0

[15] 08-04-2020

[30] 09-10-2019 / EU / 007002134-0007

[51] Cl. 8-01

[54] 衝擊扳手

Impact wrench

[73] Würth International AG

Aspermontstrasse 1,
7000 Chur,
SWITZERLAND

[74] TRADEMARKCN COMPANY LIMITED

Block A, 4/F., Granville Building,
14 Granville Road,
Tsim Sha Tsui, Kowloon,
Hong Kong



[11] 2015944.2

[15] 08-04-2020

[30] 09-10-2019 / EU / 007002134-0008

[51] Cl. 8-01

[54] 錘鑽

Hammer drill

[73] Würth International AG

Aspermontstrasse 1,

7000 Chur,

SWITZERLAND

[74] TRADEMARKCN COMPANY LIMITED

Block A, 4/F., Granville Building,

14 Granville Road,

Tsim Sha Tsui, Kowloon,

Hong Kong



[11] 2015946.7

[15] 08-04-2020

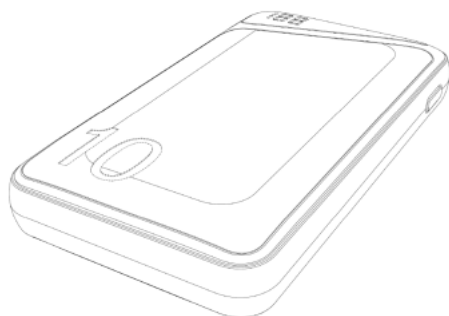
[51] Cl. 13-02

[54] 移動電源

Mobile power bank

[73] 深圳派立通科技有限公司
Shenzhen Pilot technology Co.,LTD
中國內地
廣東省深圳市龍崗區平湖街道
山厦社區杉坑路 7 號 A1 廠房 101 (A1 工業園)

[74] 中港專利有限公司
香港
港灣道 1 號會展廣場
辦公大樓 30 樓 3012 室



[11] 2015947.9

[15] 08-04-2020

[30] 10-10-2019 / JP / 022748 of 2019

[51] Cl. 28-02

[54] 固體肥皂
Solid soap

[73] 株式會社 MTG
MTG Co., Ltd.
32, Honjin-Dori 2-Chome,
Nakamura-Ku, Nagoya-Shi,
Aichi-Ken 453-0041,
Japan

[74] CHINAHONGKONG IP LIMITED
3011, 30/F, Office Tower, Convention Plaza,
1 Harbour Road,
Hong Kong



[11] 2015948.1

[15] 09-04-2020

[30] 09-10-2019 / EU / 007002167-0001

[51] Cl. 14-99

[54] 帶有可更換終端連接器和移動電源的资料傳輸線

Data transmissions cables with replaceable terminal connectors
and power bank

[73] Vonmaehlen GmbH

Vor Dem Bardowicker Tore 49,
21339 Lueneburg,
Germany

[74] CHINA PATENT AGENT (HONG KONG) LIMITED

22/F, Great Eagle Centre,
23 Harbour Road,
Wanchai, Hong Kong



[11] 2015949.3

[15] 09-04-2020

[30] 09-10-2019 / EU / 007003611-0001

[51] Cl. 14-99

[54] 帶有可更換終端連接器的數據傳輸線

Data transmissions cables with replaceable terminal connectors

[73] Vonmaehlen GmbH

Vor dem Bardowicker Tore 49,

21339 Lueneburg,

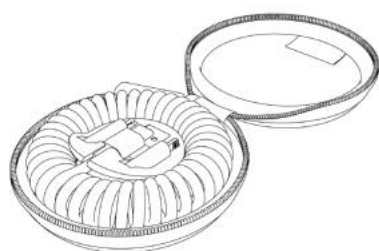
GERMANY

[74] CHINA PATENT AGENT (HONG KONG) LIMITED

22/F, Great Eagle Centre,

23 Harbour Road,

Wanchai, Hong Kong



[11] 2015950.5

[15] 09-04-2020

[51] Cl. 23-07

[54] 座廁沖水按鈕

Toilet flush button

[73] 青林設計有限公司

DRAGON FINE DESIGN LTD

Unit A6, 1/F., Tai Tak Industrial Building,

2-12 Kwai Fat Road,

Kwai Chung, Hong Kong

[74] GLOBAL INTELLECTUAL PROPERTY COMPANY LIMITED

Unit 2205, 22/F Sino Plaza,

255-257 Gloucester Road,

Causeway Bay, Hong Kong



[11] 2015951.7

[15] 09-04-2020

[51] Cl. 23-01

[54] 水龍頭

Water tap

[73] 青林設計有限公司

DRAGON FINE DESIGN LTD

Unit A6, 1/F., Tai Tak Industrial Building,

2-12 Kwai Fat Road,

Kwai Chung, N.T., Hong Kong

[74] GLOBAL INTELLECTUAL PROPERTY COMPANY LIMITED

Unit 2205, 22/F Sino Plaza,

255-257 Gloucester Road,

Causeway Bay, Hong Kong



[11] 2015952.9

[15] 09-04-2020

[30] 18-10-2019 / CN / 201930570053.0

[51] Cl. 14-02

[54] 顯示屏

Display

[73] 北京小米移動軟件有限公司

BEIJING XIAOMI MOBILE SOFTWARE CO., LTD.

中國內地

北京市海澱區清河中街 68 號

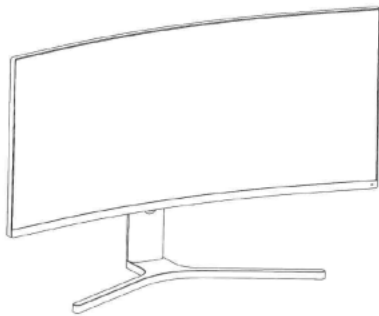
華潤五彩城購物中心二期 9 層 01 房間

[74] 隆天專利商標代理有限公司

香港長沙灣

青山道 485 號

九龍廣場 10 樓 11 室



[11] 2015953.1

[15] 09-04-2020

[51] Cl. 23-04

[54] 香薰機

Aroma diffuser

[73] 盛開蓮花有限公司

Bloomy Lotus Ltd

Unit 4711, 47/F., The Center,

99 Queen's Road Central,

Central. Hong Kong

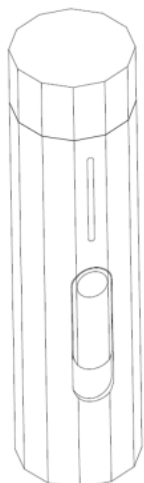
[74] FEDERATION OF HONG KONG INDUSTRIES

31/F, Billion Plaza,

8 Cheung Yue Street,

Cheung Sha Wan, Kowloon,

Hong Kong



[11] 2015956.8

[15] 09-04-2020

[30] 24-10-2019 / GB / 6074791

[51] Cl. 13-03

[54] 電開關

Electrical switch

[73] 聯益電器製品廠有限公司

LUEN YICK ELECTRICAL MFG. CO., LTD

10th Floor, Flat F, Block 2,

Kingsford Industrial Building,

26-32 Kwai Hei Street, Kwai Chung,

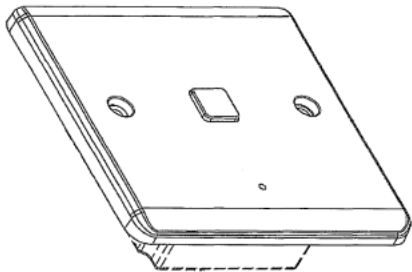
New Territories, Hong Kong

[74] VINCENT LUK & ASSOCIATES

Unit A, 13th Floor, Nathan Commercial Building,

430 Nathan Road, Kowloon,

Hong Kong



[11] 2015957.0

[15] 09-04-2020

[30] 24-10-2019 / GB / 6074792

[51] Cl. 13-03

[54] 電插座

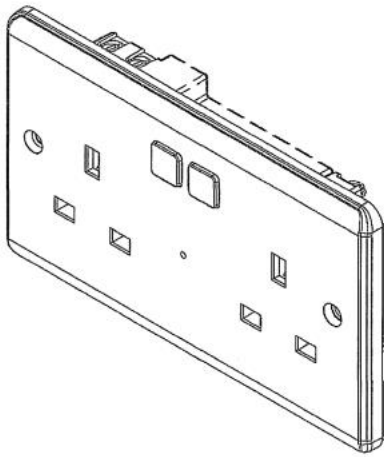
Electrical Socket

[73] 聯益電器製品廠有限公司

LUEN YICK ELECTRICAL MFG. CO., LTD
10th Floor, Flat F, Block 2,
Kingsford Industrial Building,
26-32 Kwai Hei Street, Kwai Chung,
New Territories, Hong Kong

[74] VINCENT LUK & ASSOCIATES

Unit A, 13th Floor,
Nathan Commercial Building,
430 Nathan Road, Kowloon,
Hong Kong



[11] 2015958.2

[15] 09-04-2020

[30] 24-10-2019 / GB / 6074793

[51] Cl. 13-03

[54] 電開關

Electrical switch

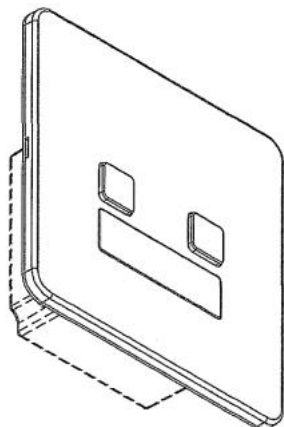
[73] 聯益電器製品廠有限公司

LUEN YICK ELECTRICAL MFG. CO., LTD
10th Floor, Flat F, Block 2,
Kingsford Industrial Building,
26-32 Kwai Hei Street, Kwai Chung,
New Territories, Hong Kong

[74] VINCENT LUK & ASSOCIATES

Unit A, 13th Floor,
Nathan Commercial Building,

430 Nathan Road, Kowloon,
Hong Kong



[11] 2015959.4

[15] 09-04-2020

[30] 24-10-2019 / GB / 6074795

[51] Cl. 13-03

[54] 電插座

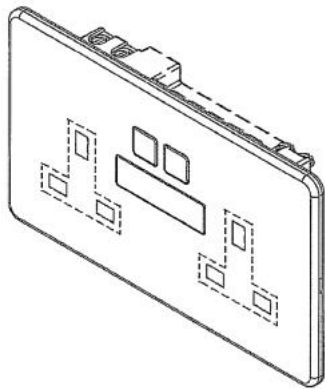
Electrical socket

[73] 聯益電器製品廠有限公司

LUEN YICK ELECTRICAL MFG. CO., LTD
10th Floor, Flat F, Block 2,
Kingsford Industrial Building,
26-32 Kwai Hei Street, Kwai Chung,
New Territories, Hong Kong

[74] VINCENT LUK & ASSOCIATES

Unit A, 13th Floor,
Nathan Commercial Building,
430 Nathan Road, Kowloon,
Hong Kong



[11] 2015960.6M001

[15] 09-04-2020

[30] 10-10-2019 / CN / 201930550234.7

[51] C1. 13-03

[54] 開關
Switch

[73] 北京小米移動軟件有限公司
BEIJING XIAOMI MOBILE SOFTWARE CO., LTD.
中國內地
北京市海澱區西二旗中路 33 號院
6 號樓 8 層 018 號

[74] 香港派特恩知識產權代理有限公司
香港上環
永樂街 121-125 號
永達商業大廈 10 樓 C 室



[11] 2015960.6M002

- [15] 09-04-2020
- [30] 10-10-2019 / CN / 201930550234.7
- [51] Cl. 13-03
- [54] 開關
Switch
- [73] 北京小米移動軟件有限公司
BEIJING XIAOMI MOBILE SOFTWARE CO., LTD.
中國內地
北京市海澱區西二旗中路 33 號院
6 號樓 8 層 018 號
- [74] 香港派特恩知識產權代理有限公司
香港上環
永樂街 121-125 號
永達商業大廈 10 樓 C 室



-
- [11] 2015960.6M003
- [15] 09-04-2020
- [30] 10-10-2019 / CN / 201930550234.7
- [51] Cl. 13-03
- [54] 開關
Switch
- [73] 北京小米移動軟件有限公司
BEIJING XIAOMI MOBILE SOFTWARE CO., LTD.
中國內地
北京市海澱區西二旗中路 33 號院
6 號樓 8 層 018 號
- [74] 香港派特恩知識產權代理有限公司
香港上環

永樂街 121-125 號

永達商業大廈 10 樓 C 室



[11] 2015961.8M001

[15] 09-04-2020

[30] 11-10-2019 / US / 29/709,230

[51] Cl. 14-03

[54] 視頻會議裝置

Videoconference device

[73] 續特力股份有限公司

PLANTRONICS, INC.

345 Encinal St. Santa Cruz,

CA 95060,

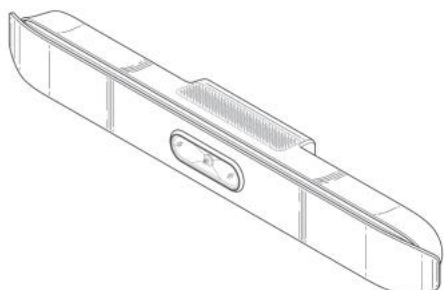
UNITED STATES

[74] SHANGHAI INTELLECTUAL PROPERTY OFFICE

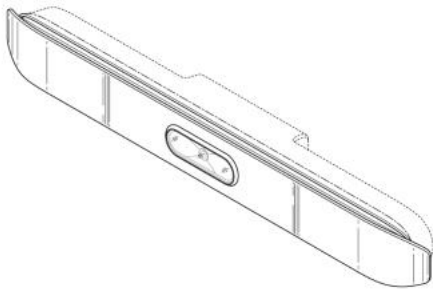
Unit F, 20th Floor, Neich Tower,

128 Gloucester Road,

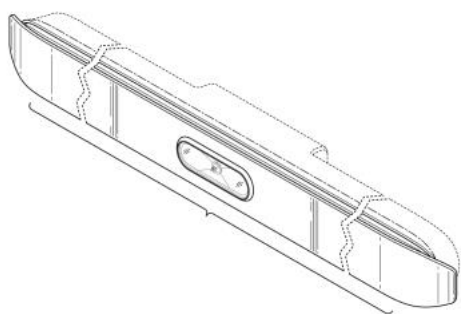
Hong Kong



- [11] 2015961.8M002
- [15] 09-04-2020
- [30] 11-10-2019 / US / 29/709,230
- [51] Cl. 14-03
- [54] 視頻會議裝置
Videoconference device
- [73] 續特力股份有限公司
PLANTRONICS, INC.
345 Encinal St. Santa Cruz,
CA 95060,
UNITED STATES
- [74] SHANGHAI INTELLECTUAL PROPERTY OFFICE
Unit F, 20th Floor, Neich Tower,
128 Gloucester Road,
Hong Kong



-
- [11] 2015961.8M003
 - [15] 09-04-2020
 - [30] 11-10-2019 / US / 29/709,230
 - [51] Cl. 14-03
 - [54] 視頻會議裝置
Videoconference device
 - [73] 續特力股份有限公司
PLANTRONICS, INC.
345 Encinal St. Santa Cruz,
CA 95060,
UNITED STATES
 - [74] SHANGHAI INTELLECTUAL PROPERTY OFFICE
Unit F, 20th Floor, Neich Tower,
128 Gloucester Road,
Hong Kong



[11] 2015961.8M004

[15] 09-04-2020

[30] 11-10-2019 / US / 29/709,231

[51] Cl. 14-03

[54] 視頻會議裝置

Videoconference device

[73] 繽特力股份有限公司

PLANTRONICS, INC.

345 Encinal St. Santa Cruz,

CA 95060,

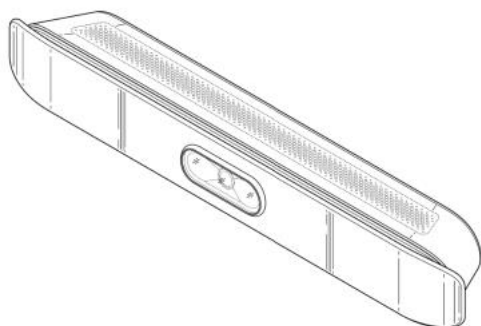
UNITED STATES

[74] SHANGHAI INTELLECTUAL PROPERTY OFFICE

Unit F, 20th Floor, Neich Tower,

128 Gloucester Road,

Hong Kong



[11] 2015961.8M005

[15] 09-04-2020

[30] 11-10-2019 / US / 29/709,231

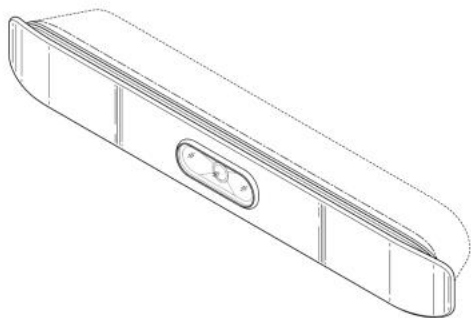
[51] Cl. 14-03

[54] 視頻會議裝置

Videoconference device

[73] 續特力股份有限公司
PLANTRONICS, INC.
345 Encinal St. Santa Cruz,
CA 95060,
UNITED STATES

[74] SHANGHAI INTELLECTUAL PROPERTY OFFICE
Unit F, 20th Floor, Neich Tower,
128 Gloucester Road,
Hong Kong



[11] 2015961.8M006

[15] 09-04-2020

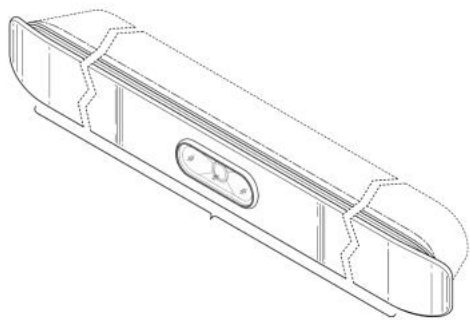
[30] 11-10-2019 / US / 29/709,231

[51] Cl. 14-03

[54] 視頻會議裝置
Videoconference device

[73] 續特力股份有限公司
PLANTRONICS, INC.
345 Encinal St. Santa Cruz,
CA 95060,
UNITED STATES

[74] SHANGHAI INTELLECTUAL PROPERTY OFFICE
Unit F, 20th Floor, Neich Tower,
128 Gloucester Road,
Hong Kong



[11] 2015962.0

[15] 10-04-2020

[30] 26-02-2020 / EU / 007718739-0001

[51] Cl. 13-02

[54] 電話充電器

Electrical charger for telephones

[73] ML 投資有限公司

ML Investment GmbH

Im Eck 5,

79199 Kirchzarten,

Germany

[74] INSIGHT (HK) INTELLECTUAL PROPERTY LIMITED

Unit 503, 5/F., Tower 2, Lippo Centre,

89 Queensway, Admiralty,

Hong Kong



[11] 2015963.2

[15] 10-04-2020

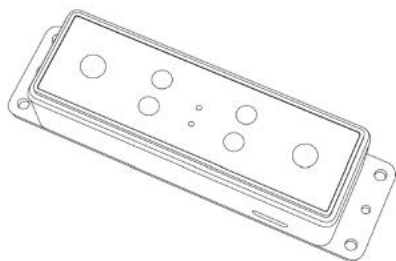
[30] 22-10-2019 / CN / 201930575756.2

[51] Cl. 14-02

[54] 視覺模組
Visual module

[73] 深圳市商湯科技有限公司
SHENZHEN SENSETIME TECHNOLOGY CO., LTD.
中國內地
廣東省深圳市前海深港合作區前灣一路
1 號 A 棟 201 室

[74] 香港派特恩知識產權代理有限公司
香港上環
永樂街 121-125 號
永達商業大廈 10 樓 C 室



[11] 2015964.4

[15] 10-04-2020

[51] Cl. 2-04

[54] 鞋
Shoe

[73] 廣州瑞查進出口服務有限公司
中國內地
廣州市天河區
珠江西路 8 號 1501 房自編 1517

[74] 滙誠知識產權有限公司
香港灣仔
軒尼詩道 397 號
東區商業大廈 1206 室



[11] 2015965.7

[15] 10-04-2020

[51] Cl. 2-07

[54] 圓頭柳釘
Round rivet

[73] 廣州瑞查進出口服務有限公司
中國內地
廣州市天河區
珠江西路8號1501房自編1517

[74] 滙誠知識產權有限公司
香港灣仔
軒尼詩道397號
東區商業大廈1206室





香港特別行政區政府知識產權署外觀設計註冊處

The Government of the Hong Kong Special Administrative Region

Designs Registry, Intellectual Property Department

根據註冊外觀設計條例第 28 條，下列註冊外觀設計因未繳續期費而停止有效。

各組記項按註冊外觀設計停止有效日期及註冊編號先後次序排列。

Registered designs ceased through non-payment of renewal fees under section 28 of the Registered Designs Ordinance. Entries are listed below under their expiry dates.

11-06-2020 - 17-06-2020

11-06-2020	1001113.2	1501290.1M003
1501245.7	1001116.9	1501290.1M004
1501246.9	1501262.2M001	1501290.1M005
1501247.1	1501262.2M002	1501296.4
1501249.5M001	1501268.5	1501299.0
1501249.5M002	1501269.7	1501300.4
1501252.1	1501270.9	1501301.6
1501253.3	1502508.7M001	1501305.5M001
1501254.5M001	1502508.7M002	1501305.5M002
1501254.5M002	1502508.7M003	1501305.5M003
1501255.8M001		1501305.5M004
1501255.8M002	15-06-2020	1501306.7M001
1501255.8M003	0501422.0M001	1501306.7M002
1501256.0M001	0501422.0M002	1501306.7M003
1501256.0M002	0501422.0M003	1501306.7M004

12-06-2020

0501395.2M002	1501272.3	
0501396.4M002	1501273.5	17-06-2020
	1501274.7	0501466.3M001
	1501275.0	0501466.3M002

13-06-2020

0501403.0M001	1501285.1M001	0501466.3M003
0501403.0M002	1501285.1M002	0501467.5
0501404.2M003	1501287.5	1501315.6M001
0501404.2M005		1501315.6M002

16-06-2020

1001110.6M001	0501443.4	1501315.6M003
1001110.6M002	0501447.3	
	0501458.6M001	

14-06-2020

0501417.0M001	0501458.6M002	
0501417.0M002	0501458.6M003	
0501417.0M003	0501463.6	
0501417.0M004	1001126.0	
1001112.0	1501290.1M001	
	1501290.1M002	



香港特別行政區政府知識產權署外觀設計註冊處

The Government of the Hong Kong Special Administrative Region

Designs Registry, Intellectual Property Department

根據註冊外觀設計規則第 31 條刪除的註冊外觀設計。各組記項按註冊外觀設計刪除日期及註冊編號先後次序排列。

Registered designs removed under section 31 of the Registered Designs Rules. Entries are listed below under their removal dates.

24-07-2020 - 30-07-2020

24-07-2020	1402269.7	0902167.4
1402318.2M001	1402331.9	1402349.7
1402318.2M002	1402332.1	1402350.9
1402319.4M001	1402333.3	9911718.4
1402319.4M002	1402334.5	9911719.6
1402321.8	1402335.8	
1402322.0	1402338.4	30-07-2020
1402324.4	1402339.6	0902172.4M001
1402325.7	1402340.8	0902172.4M002
1402326.9		1402354.7
1402327.1	28-07-2020	1402357.4
1402329.5	0412893.0M001	
1402330.7	0412893.0M002	
	0902159.7M001	
25-07-2020	0902159.7M002	
0412858.7M001	0902159.7M003	
	0902159.7M004	
26-07-2020	0902159.7M005	
0412862.5M001	0902159.7M006	
0412862.5M002	0902159.7M007	
0412862.5M003	1402342.2	
0412862.5M005	1402343.4	
0412862.5M006	1402345.9	
0412862.5M007	1402346.1M001	
0902137.1	1402346.1M002	
0902138.3M001	1402347.3	
	9911710.7	
27-07-2020	9911711.9	
0412887.8		
0412888.0	29-07-2020	
0412889.2	0412898.1M001	
0902155.9	0412898.1M003	
0902156.1	0412900.7M001	
1402268.5	0412900.7M002	



香港特別行政區政府知識產權署外觀設計註冊處
The Government of the Hong Kong Special Administrative Region
Designs Registry, Intellectual Property Department

勘誤

CORRIGENDUM

已在官方公報刊登的外觀設計公告內的聲稱具有優先權更正如下:

The following show the corrected priority claim in advertisement previously published in the official journal:

官方公報日期 Official journal date 19.06.2020

[11] 1914994.3M001

[30] 09-05-2019 / EU, SG, CH, GB / DM/202834

[11] 1914994.3M002

[30] 09-05-2019 / EU, SG, CH, GB / DM/202834

[11] 1914994.3M003

[30] 09-05-2019 / EU, SG, CH, GB / DM/202834