

香港知識產權公報

Hong Kong Intellectual Property Journal

2019 年 11 月 15 日
15 November 2019



目錄

Contents

根據註冊外觀設計條例第 25 條註冊的外觀設計

Designs Registered under section 25 of the Registered Designs Ordinance

按註冊編號排列

Arranged by Registration Number

根據註冊外觀設計條例(第 522 章)公布的其他公告

Other Notices Published under the Registered Designs Ordinance (Cap. 522)

根據註冊外觀設計條例第 28 條, 註冊外觀設計因未繳續期費而停止有效

Registered designs ceased through non-payment of renewal fees under section 28 of the Registered Designs Ordinance

根據註冊外觀設計規則第 31 條刪除的註冊外觀設計

Registered designs removed under section 31 of the Registered Designs Rules

根據註冊外觀設計條例第 67 及 76 條, 更正註冊紀錄冊內及已提交文件中的錯誤

Correction of Errors in Register and in Filed Documents under sections 67 and 76 of the Registered Designs Ordinance

以下事項沒有記錄

No Records for the Following Matters

根據註冊外觀設計條例第 30 條放棄的外觀設計的註冊

Surrender of Registration of Design under section 30 of the Registered Designs Ordinance

根據註冊外觀設計規則第 37 條, 向處長作出轉介

Reference to Registrar under section 37 of the Registered Designs Rules

根據註冊外觀設計條例第 45 條，撤銷註冊

Revocation of Registration under section 45 of the Registered Designs Ordinance

根據註冊外觀設計規則第 46 條，向法院作出轉介

Reference to Court under section 46 of the Registered Designs Rules

根據註冊外觀設計規則第 63 條對不符合規定之處作出糾正

Rectification of Irregularities under section 63 of the Registered Designs Rules

根據註冊外觀設計條例第 66 條，糾正註冊紀錄冊

Rectification of Register under section 66 of the Registered Designs Ordinance

根據註冊外觀設計條例第 67 條，更正註冊紀錄冊內的錯誤

Correction of Errors in Register under section 67 of the Registered Designs Ordinance

勘誤

Corrigendum

註冊外觀設計公告註釋

Notes on advertisements of registration of designs

方括號表示下列資料：

Square brackets indicate the following data：

- [11] 註冊編號 Registration number / 聯合王國註冊編號 United Kingdom registration number

- [15] 註冊日期 Registration date / 當作註冊日期 Deemed registration date / 聯合王國註冊日期 United Kingdom registration date

- [17] 註冊有效期屆滿日期 Expiry date of the period of registration

- [22] 提交日期 Filing date / 當作提交日期 Deemed filing date / 聯合王國提交日期 United Kingdom filing date

- [30] 聲稱享有的優先權 (提交日期 / 巴黎公約國或世界貿易組織成員 / 申請編號) Priority claimed (filing date / Paris Convention country or WTO member / application number)

- [51] 國際外觀設計分類號 (洛迦諾分類號) International Classification of designs (Locarno Classification)

- [54] 物品 Article

- [55] 外觀設計的表述 Representation of the design

- [62] 分開前的申請編號及提交日期 Application number before division and filing date

- [66] 過往註冊的聯繫外觀設計註冊編號 / 日期 Registration No. / Date of Previous Registration for Association

- [72] 設計人 Designer

[73] 擁有人姓名和地址 Name and address of the owner

[74] 代理人 Agent / 送達地址 Address for service



香港特別行政區政府知識產權署外觀設計註冊處

The Government of the Hong Kong Special Administrative Region

Designs Registry, Intellectual Property Department

根據註冊外觀設計條例第 25 條註冊的外觀設計

Designs registered under section 25 of the Registered Designs Ordinance

按註冊編號排列

Arranged by Registration Number

[11] 1802518.1M001

[15] 21-12-2018

[30] 27-09-2018 / CN / 201830543502.8

[51] Cl. 14-99

[54] 多功能存儲擴展轉換器

Multi-function storage expansion converter

[73] 廣東高普達集團股份有限公司

中國內地廣東省深圳市

龍華新區大浪街道同勝社區華榮路 聯

建科技工業園廠房 8 棟 4,5,6 樓

[74] 中一聯合國際知識產權有限公司

香港九龍尖沙咀

漆咸道南 45-51 號

其士大廈 803 室



[11] 1802518.1M002

[15] 21-12-2018

[30] 27-09-2018 / CN / 201830543502.8

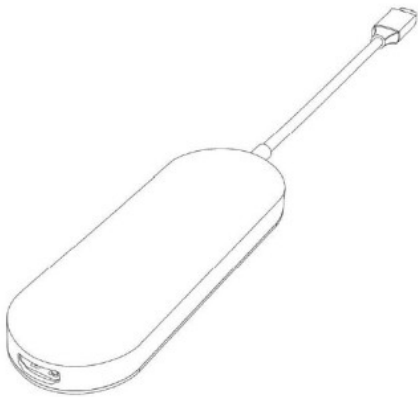
[51] Cl. 14-99

[54] 多功能存儲擴展轉換器

Multi-function storage expansion converter

[73] 廣東高普達集團股份有限公司 中國
內地廣東省深圳市 龍華新區大浪街
道同勝社區華榮路 聯建科技工業園
廠房 8 棟 4,5,6 樓

[74] 中一聯合國際知識產權有限公司
香港九龍尖沙咀
漆咸道南 45-51 號
其士大廈 803 室



[11] 1802544.5

[15] 27-12-2018

[30] 29-06-2018 / JP / 014513 of 2018

[51] Cl. 28-01

[54] 用於人體的藥用貼片

Medical patch for human body

[73] KOBAYASHI PHARMACEUTICAL CO., LTD.

4-10, Doshomachi 4-chome,

Chuo-ku, Osaka 541-0045,

JAPAN

[74] Simone Intellectual Property Services Asia Ltd.

25th Floor,

3 Lockhart Road,

Wanchai, Hong Kong.



[11] 1900049.4

[15] 09-01-2019

[30] 28-12-2018 / CN / 201830764752.4

[51] Cl. 14-99

[54] 手機或電子產品的車載支架

Vehicle cradle for mobile phone or electronic device

[73] 廣東高普達集團股份有限公司

中國內地廣東省深圳市

龍華新區大浪街道同勝社區華榮路

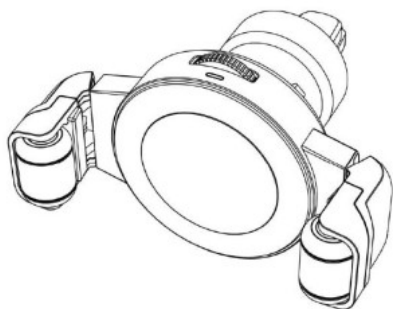
聯建科技工業園廠房 8 棟 4,5,6 樓

[74] 中一聯合國際知識產權有限公司

香港九龍尖沙咀

漆咸道南 45-51 號

其士大廈 803 室



[11] 1913130.1

[15] 05-03-2019

[30] 13-11-2018 / US / US29/669,972

[51] Cl. 2-01

[54] 嬰兒襁褓毯

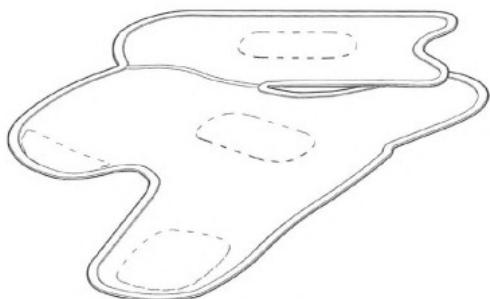
Baby swaddle blanket

[73] AVALON PHOTONICS (HK) LIMITED

10/F FUNG HOUSE 19-20 CONNAUGHT ROAD CENTRAL HONG KONG

[74] Avalon Photonics (HK) Limited

Unit 608 - 613, IC Development Centre,
No. 6 Science Park West Avenue, Hong Kong Science Park,
Shatin, Hong Kong



[11] 1913178.2

[15] 12-03-2019

[51] Cl. 8-08

[54] 多功能寵物手機夾

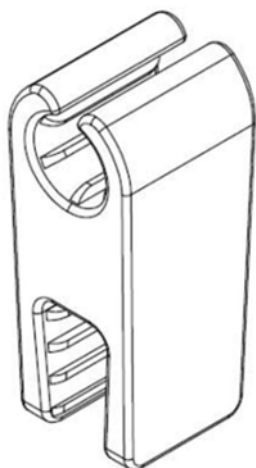
Multifunction mobile phone clip for pet

[73] Kool Limited

Flat A, 10/F, Goodwill Industrial Building,
36-44 Pak Tin Par Street, Tsuen Wan, New Territories,
HONG KONG

[74] ABLE CONSULTANCY SERVICES LIMITED

Room 403, Lai Fai Building
8 Pottinger Street, Central
HONG KONG
HONG KONG



[11] 1913192.1

[15] 14-03-2019

[51] Cl. 25-02

[54] 隔音窗組件

Component of soundproofing window

[73] 建築聲學有限公司

Architectural Acoustics Ltd

香港九龍尖沙嘴

寶勒巷 29 號

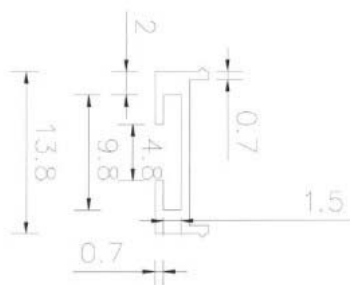
寶昌商業大廈 2 樓

[74] 建築聲學有限公司

香港九龍尖沙嘴

寶勒巷 29 號

寶昌商業大廈 2 樓



[11] 1913193.3

[15] 14-03-2019

[51] Cl. 25-02

[54] 隔音窗的接駁位

Joint section of
soundproofing window

[73] 建築聲學有限公司

Architectural Acoustics Ltd

香港九龍尖沙嘴

寶勒巷 29 號

寶昌商業大廈 2 樓

[74] 建築聲學有限公司

香港九龍尖沙嘴

寶勒巷 29 號

寶昌商業大廈 2 樓



[11] 1913221.4

[15] 18-03-2019

[30] 18-09-2018 / KR / 30-2018-0043822

[51] Cl. 27-99

[54] 電子煙的匣

Cartridge for electronic cigarette

[73] KT&G Corporation

71, Beotkkot-gil,

Daedeok-gu, Daejeon

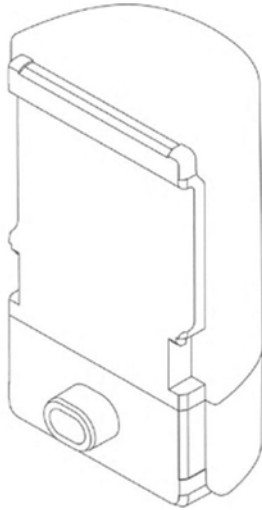
KOREA, REPUBLIC OF

[74] Luo & Jia Intellectual Property Limited

9B, Cheong Tai Commercial Building,

66 Wing Lok Street, Sheung Wan,

HONG KONG



[11] 1913355.8

[15] 03-04-2019

[51] Cl. 28-02

[54] 洗髮皂

Hair washing soap

[73] 明輝實業(深圳)有限公司

Ming Fai Industrial (Shen Zhen) Co.,Ltd

中國內地 深圳市

龍崗區

平湖白坭坑明輝工業城

[74] C & H INT'L CONSULTANT LIMITED

香港

香港灣仔軒尼詩道 397 號

東區商業大廈 1206 室



- [11] 1913413.1M001
[15] 10-04-2019
[30] 11-10-2018 / CN / 201830567702.7
[51] Cl. 14-03
[54] 手機
Mobile phone
[73] 貝殼找房(北京)科技有限公司
Ke.com (Beijing) Technology Co., Ltd.
中國內地 北京市海澱區西二旗西
路2號院
35號樓01層102-1
[74] 德琦知識產權代理(香港)有限公司
香港
九龍旺角彌敦道
555號九龍行703室



-
- [11] 1913413.1M002
[15] 10-04-2019
[30] 11-10-2018 / CN / 201830567701.2
[51] Cl. 14-03
[54] 手機
Mobile phone
[73] 貝殼找房(北京)科技有限公司
Ke.com (Beijing) Technology Co., Ltd.
中國內地 北京市海澱區西二旗西
路2號院
35號樓01層102-1
[74] 德琦知識產權代理(香港)有限公司
香港

九龍旺角彌敦道

555 號九龍行 703 室



[11] 1913413.1M003

[15] 10-04-2019

[30] 11-10-2018 / CN / 201830568204.4

[51] Cl. 14-03

[54] 手機

Mobile phone

[73] 貝殼找房(北京)科技有限公司

Ke.com (Beijing) Technology Co., Ltd.

中國內地 北京市海澱區西二旗西

路 2 號院

35 號樓 01 層 102-1

[74] 德琦知識產權代理(香港)有限公司

香港

九龍旺角彌敦道

555 號九龍行 703 室



[11] 1913413.1M004

[15] 10-04-2019

[30] 11-10-2018 / CN / 201830568204.4

[51] Cl. 14-03

[54] 手機

Mobile phone

[73] 貝殼找房(北京)科技有限公司

Ke.com (Beijing) Technology Co., Ltd.

中國內地 北京市海澱區西二旗西

路2號院

35號樓01層102-1

[74] 德琦知識產權代理(香港)有限公司

香港

九龍旺角彌敦道

555號九龍行703室



[11] 1913413.1M005

[15] 10-04-2019

[30] 11-10-2018 / CN / 201830567707.X

[51] Cl. 14-03

[54] 手機

Mobile phone

[73] 貝殼找房(北京)科技有限公司

Ke.com (Beijing) Technology Co., Ltd.

中國內地 北京市海澱區西二旗西

路 2 號院

35 號樓 01 層 102-1

[74] 德琦知識產權代理(香港)有限公司

香港

九龍旺角彌敦道

555 號九龍行 703 室



[11] 1913413.1M006

[15] 10-04-2019

[30] 11-10-2018 / CN / 201830568201.0

[51] Cl. 14-03

[54] 手機

Mobile phone

[73] 貝殼找房(北京)科技有限公司

Ke.com (Beijing) Technology Co., Ltd.

中國內地 北京市海澱區西二旗西

路 2 號院

35 號樓 01 層 102-1

- [74] 德琦知識產權代理(香港)有限公司
香港
九龍旺角彌敦道
555 號九龍行 703 室



[11] 1913413.1M007

[15] 10-04-2019

[30] 11-10-2018 / CN / 201830568201.0

[51] Cl. 14-03

[54] 手機

Mobile phone

- [73] 貝殼找房(北京)科技有限公司
Ke.com (Beijing) Technology Co., Ltd.
中國內地 北京市海澱區西二旗西
路 2 號院
35 號樓 01 層 102-1

- [74] 德琦知識產權代理(香港)有限公司
香港
九龍旺角彌敦道
555 號九龍行 703 室



[11] 1913476.4

[15] 18-04-2019

[51] Cl. 19-02

[54] 間尺

Ruler

[73] 黎忻瀚

香港

深水埗青山道 76-82 號 西九龍商務
中心

1 樓 104 號舖

[74] 香港幼兒及母乳輔導協會(經辦人:黎忻瀚)

香港

深水埗青山道 76-82 號 西九龍商務
中心

1 樓 104 號舖



- [11] 1913615.1
[15] 10-05-2019
[30] 30-11-2018 / CN / 201830688042.8
[51] Cl. 6-01
[54] 連體座椅板
Conjoined chair seat
[73] 佛山市聯潤家具有限公司
中國內地廣東省佛山市
高明區荷城街道
三洲園區興源路
[74] 坐座有限公司
香港
觀塘鴻圖通 21 號
訊科中心 15 樓工創空間



-
- [11] 1913760.7
[15] 28-05-2019
[30] 27-12-2018 / KR / 30-2018-0061999
[51] Cl. 28-03
[54] 化妝品包裝容器
Container for cosmetic packaging
[73] AMOREPACIFIC CORPORATION
100, Hangang-daero, Yongsan-gu, Seoul,
KOREA, REPUBLIC OF
[74] TRADEMARKCN COMPANY LIMITED
Block A, 4/F., Granville Building,
14 Granville Road, Tsim Sha Tsui, Kowloon,
HONG KONG



[11] 1913805.4

[15] 03-06-2019

[30] 24-01-2019 / CN / 201930040186.7

[51] Cl. 26-02

[54] 無線充電發光二極管直板燈
Wireless charging LED straight board lamp

[73] 上海智匯電器有限公司
AEC Lighting Solutions Co., Ltd
中國內地上海市 嘉定區馬陸鎮寶安公
路 2548 號
郵編 201801

[74] 中港專利有限公司
香港
港灣道 1 號
會展廣場辦公大樓 30 樓 3012 室
HONG KONG



[11] 1913822.9

[15] 04-06-2019

[51] Cl. 26-02

[54] 伸縮提燈

Collapsible lantern

[73] FLYING DRAGON DEVELOPMENT LIMITED

UNIT B, 6/F., UNISON INDUSTRIAL CENTRE

27-31 AU PUI WAN STREET, FOTAN, SHATIN, N.T., HONG KONG

[74] BENNY KONG & TSAI

Unit 19B, Overseas Trust Bank Building

No. 160 Gloucester Road, Wanchai

HONG KONG



[11] 1913826.8

[15] 05-06-2019

[51] Cl. 23-04

[54] 可攜式風扇

Portable fan

[73] SILLYMANN CO., LTD. (Joo sik hoi sa sillymann)

116, DONYU 2-RO

PAJU-EUP, PAJU-SI, GYEONGGI-DO, KOREA, REPUBLIC OF

[74] SANYOU INTERNATIONAL INTELLECTUAL PROPERTY AGENCY (HONG KONG)
LIMITED

ROOM 601, 6/F., YUE XIU BUILDING

160-174 LOCKHART ROAD, WANCHAI

HONG KONG



[11] 1913827.0M001

[15] 05-06-2019

[51] Cl. 23-04

[54] 香薰機

Aroma diffuser

[73] Bloomy Lotus Ltd

Unit 4711, 47/F., The Center,
99 Queen's Road Central, Central,
HONG KONG

[74] FEDERATION OF HONG KONG INDUSTRIES

31/F, Billion Plaza,
8 Cheung Yue Street, Cheung Sha Wan, Kowloon
HONG KONG



[11] 1913827.0M002

[15] 05-06-2019

[51] Cl. 23-04

[54] 香薰機

Aroma diffuser

[73] Bloomy Lotus Ltd

Unit 4711, 47/F., The Center,
99 Queen's Road Central, Central,
HONG KONG

[74] FEDERATION OF HONG KONG INDUSTRIES

31/F, Billion Plaza,
8 Cheung Yue Street, Cheung Sha Wan, Kowloon
HONG KONG



[11] 1913828.2

[15] 05-06-2019

[30] 05-12-2018 / EM / 005844727-0005

[51] Cl. 20-02

[54] 陳列裝置

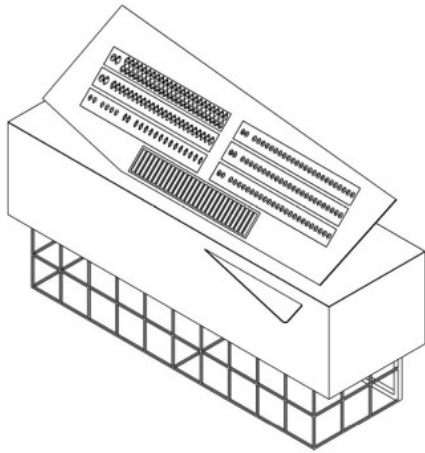
Display unit

[73] LVMH FRAGRANCE BRANDS

77 Rue Anatole France
92300 LEVALLOIS PERRET
FRANCE

[74] WENPING & CO

1701 Tung Wai Commercial Building,
111 Gloucester Road,
HONG KONG



[11] 1913829.4

[15] 05-06-2019

[30] 05-12-2018 / EM / 005844727-0006

[51] Cl. 20-02

[54] 陳列裝置

Display unit

[73] LVMH FRAGRANCE BRANDS

77 Rue Anatole France

92300 LEVALLOIS PERRET

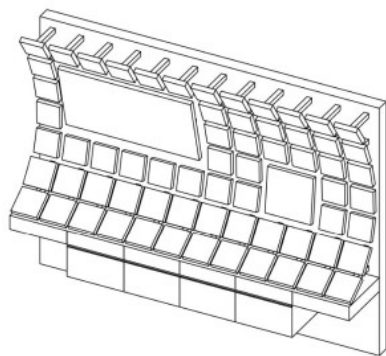
FRANCE

[74] WENPING & CO

1701 Tung Wai Commercial Building,

111 Gloucester Road,

HONG KONG



[11] 1913830.6

[15] 05-06-2019

[30] 05-12-2018 / EU, SG, CH, GB / DM/200 570

[51] Cl. 10-02

[54] 錶

Watch

[73] RICHEMONT INTERNATIONAL SA

Route des Biches 10

CH - 1752 Villars-sur-Glâne

SWITZERLAND

[74] WENPING & CO

1701 Tung Wai Commercial Building,

111 Gloucester Road,

HONG KONG



[11] 1913831.8

[15] 05-06-2019

[30] 05-12-2018 / EU, SG, CH, GB / DM/200 570

[51] Cl. 10-07

[54] 錶面

Watch dial

[73] RICHEMONT INTERNATIONAL SA

Route des Biches 10

CH - 1752 Villars-sur-Glâne

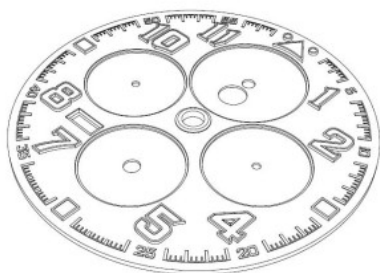
SWITZERLAND

[74] WENPING & CO

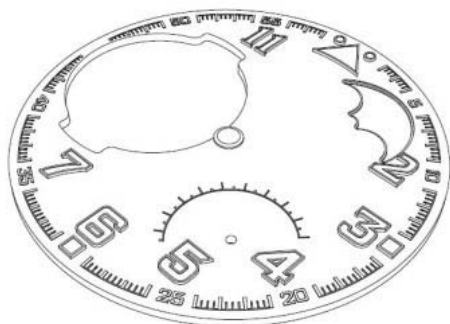
1701 Tung Wai Commercial Building,

111 Gloucester Road,

HONG KONG



-
- [11] 1913832.0
[15] 05-06-2019
[30] 05-12-2018 / EU, SG, CH, GB / DM/200 570
[51] Cl. 10-07
[54] 錶面
Watch dial
[73] RICHEMONT INTERNATIONAL SA
Route des Biches 10
CH - 1752 Villars-sur-Glâne
SWITZERLAND
[74] WENPING & CO
1701 Tung Wai Commercial Building,
111 Gloucester Road,
HONG KONG



-
- [11] 1913836.9M001
[15] 05-06-2019
[51] Cl. 11-01
[54] 飾物設計
Ornament design
[73] 六福集團有限公司
Luk Fook Holdings Company Limited
Floor 15, 20, 25 & 27, Metropole Square,

No.2 On Yiu Street, Shatin, New Territories,
HONG KONG

[74] Luk Fook Holdings Company Limited (Legal Affairs Department)
Floor 25, Metropole Square
No.2 On Yiu Street, Shatin, New Territories,
HONG KONG



[11] 1913836.9M002

[15] 05-06-2019

[51] Cl. 11-01

[54] 飾物設計

Ornament design

[73] 六福集團有限公司

Luk Fook Holdings Company Limited
Floor 15, 20, 25 & 27, Metropole Square,
No.2 On Yiu Street, Shatin, New Territories,
HONG KONG

[74] Luk Fook Holdings Company Limited (Legal Affairs Department)
Floor 25, Metropole Square
No.2 On Yiu Street, Shatin, New Territories,
HONG KONG



[11] 1913836.9M003

[15] 05-06-2019

[51] Cl. 11-01

[54] 飾物設計
Ornament design

[73] 六福集團有限公司

Luk Fook Holdings Company Limited
Floor 15, 20, 25 & 27, Metropole Square,
No.2 On Yiu Street, Shatin, New Territories,
HONG KONG

[74] Luk Fook Holdings Company Limited (Legal Affairs Department)

Floor 25, Metropole Square
No.2 On Yiu Street, Shatin, New Territories,
HONG KONG



[11] 1913836.9M004

[15] 05-06-2019

[51] Cl. 11-01

[54] 飾物設計

Ornament design

[73] 六福集團有限公司

Luk Fook Holdings Company Limited

Floor 15, 20, 25 & 27, Metropole Square,

No.2 On Yiu Street, Shatin, New Territories,

HONG KONG

[74] Luk Fook Holdings Company Limited (Legal Affairs Department)

Floor 25, Metropole Square

No.2 On Yiu Street, Shatin, New Territories,

HONG KONG



[11] 1913836.9M005

[15] 05-06-2019

[51] Cl. 11-01

[54] 飾物設計

Ornament design

[73] 六福集團有限公司

Luk Fook Holdings Company Limited

Floor 15, 20, 25 & 27, Metropole Square,

No.2 On Yiu Street, Shatin, New Territories,

HONG KONG

[74] Luk Fook Holdings Company Limited (Legal Affairs Department)

Floor 25, Metropole Square

No.2 On Yiu Street, Shatin, New Territories,

HONG KONG



[11] 1913837.1M001

[15] 05-06-2019

[51] Cl. 11-01

[54] 飾物設計

Ornament design

[73] 六福集團有限公司

Luk Fook Holdings Company Limited
Floor 15, 20, 25 & 27, Metropole Square,
No.2 On Yiu Street, Shatin, New Territories,
HONG KONG

[74] Luk Fook Holdings Company Limited (Legal Affairs Department)

Floor 25, Metropole Square
No.2 On Yiu Street, Shatin, New Territories,
HONG KONG



[11] 1913837.1M002

[15] 05-06-2019

[51] Cl. 11-01

[54] 飾物設計

Ornament design

[73] 六福集團有限公司

Luk Fook Holdings Company Limited

Floor 15, 20, 25 & 27, Metropole Square,
No.2 On Yiu Street, Shatin, New Territories,
HONG KONG

- [74] Luk Fook Holdings Company Limited (Legal Affairs Department)
Floor 25, Metropole Square
No.2 On Yiu Street, Shatin, New Territories,
HONG KONG



[11] 1913837.1M003

[15] 05-06-2019

[51] Cl. 11-01

[54] 飾物設計

Ornament design

[73] 六福集團有限公司

Luk Fook Holdings Company Limited
Floor 15, 20, 25 & 27, Metropole Square,
No.2 On Yiu Street, Shatin, New Territories,
HONG KONG

[74] Luk Fook Holdings Company Limited (Legal Affairs Department)
Floor 25, Metropole Square
No.2 On Yiu Street, Shatin, New Territories,
HONG KONG



[11] 1913838.3M001

[15] 05-06-2019

[51] Cl. 11-01

[54] 飾物設計

Ornament design

[73] 六福集團有限公司

Luk Fook Holdings Company Limited
Floor 15, 20, 25 & 27, Metropole Square,
No.2 On Yiu Street, Shatin, New Territories,
HONG KONG

[74] Luk Fook Holdings Company Limited (Legal Affairs Department)

Floor 25, Metropole Square
No.2 On Yiu Street, Shatin, New Territories,
HONG KONG



[11] 1913838.3M002

[15] 05-06-2019

[51] Cl. 11-01

[54] 飾物設計

Ornament design

[73] 六福集團有限公司

Luk Fook Holdings Company Limited
Floor 15, 20, 25 & 27, Metropole Square,
No.2 On Yiu Street, Shatin, New Territories,
HONG KONG

[74] Luk Fook Holdings Company Limited (Legal Affairs Department)

Floor 25, Metropole Square
No.2 On Yiu Street, Shatin, New Territories,
HONG KONG



[11] 1913838.3M003

[15] 05-06-2019

[51] Cl. 11-01

[54] 飾物設計

Ornament design

[73] 六福集團有限公司

Luk Fook Holdings Company Limited
Floor 15, 20, 25 & 27, Metropole Square,
No.2 On Yiu Street, Shatin, New Territories,
HONG KONG

[74] Luk Fook Holdings Company Limited (Legal Affairs Department)

Floor 25, Metropole Square
No.2 On Yiu Street, Shatin, New Territories,
HONG KONG



[11] 1913838.3M004

[15] 05-06-2019

[51] Cl. 11-01

[54] 飾物設計

Ornament design

[73] 六福集團有限公司

Luk Fook Holdings Company Limited
Floor 15, 20, 25 & 27, Metropole Square,
No.2 On Yiu Street, Shatin, New Territories,
HONG KONG

[74] Luk Fook Holdings Company Limited (Legal Affairs Department)

Floor 25, Metropole Square
No.2 On Yiu Street, Shatin, New Territories,
HONG KONG



[11] 1913838.3M005

[15] 05-06-2019

[51] Cl. 11-01

[54] 飾物設計

Ornament design

[73] 六福集團有限公司

Luk Fook Holdings Company Limited

Floor 15, 20, 25 & 27, Metropole Square,

No.2 On Yiu Street, Shatin, New Territories,

HONG KONG

[74] Luk Fook Holdings Company Limited (Legal Affairs Department)

Floor 25, Metropole Square

No.2 On Yiu Street, Shatin, New Territories,

HONG KONG



[11] 1913838.3M006

[15] 05-06-2019

[51] Cl. 11-01

[54] 飾物設計

Ornament design

[73] 六福集團有限公司

Luk Fook Holdings Company Limited

Floor 15, 20, 25 & 27, Metropole Square,

No.2 On Yiu Street, Shatin, New Territories,

HONG KONG

[74] Luk Fook Holdings Company Limited (Legal Affairs Department)

Floor 25, Metropole Square

No.2 On Yiu Street, Shatin, New Territories,

HONG KONG



[11] 1913838.3M007

[15] 05-06-2019

[51] Cl. 11-01

[54] 飾物設計

Ornament design

[73] 六福集團有限公司

Luk Fook Holdings Company Limited

Floor 15, 20, 25 & 27, Metropole Square,

No.2 On Yiu Street, Shatin, New Territories,

HONG KONG

[74] Luk Fook Holdings Company Limited (Legal Affairs Department)

Floor 25, Metropole Square

No.2 On Yiu Street, Shatin, New Territories,

HONG KONG



[11] 1913838.3M008

[15] 05-06-2019

[51] Cl. 11-01

[54] 飾物設計

Ornament design

[73] 六福集團有限公司

Luk Fook Holdings Company Limited
Floor 15, 20, 25 & 27, Metropole Square,
No.2 On Yiu Street, Shatin, New Territories,
HONG KONG

[74] Luk Fook Holdings Company Limited (Legal Affairs Department)

Floor 25, Metropole Square
No.2 On Yiu Street, Shatin, New Territories,
HONG KONG



[11] 1913838.3M009

[15] 05-06-2019

[51] Cl. 11-01

[54] 飾物設計

Ornament design

[73] 六福集團有限公司

Luk Fook Holdings Company Limited
Floor 15, 20, 25 & 27, Metropole Square,
No.2 On Yiu Street, Shatin, New Territories,
HONG KONG

[74] Luk Fook Holdings Company Limited (Legal Affairs Department)

Floor 25, Metropole Square
No.2 On Yiu Street, Shatin, New Territories,
HONG KONG



[11] 1913838.3M010

[15] 05-06-2019

[51] Cl. 11-01

[54] 飾物設計

Ornament design

[73] 六福集團有限公司

Luk Fook Holdings Company Limited
Floor 15, 20, 25 & 27, Metropole Square,
No.2 On Yiu Street, Shatin, New Territories,
HONG KONG

[74] Luk Fook Holdings Company Limited (Legal Affairs Department)

Floor 25, Metropole Square
No.2 On Yiu Street, Shatin, New Territories,
HONG KONG



[11] 1913838.3M011

[15] 05-06-2019

[51] Cl. 11-01

[54] 飾物設計

Ornament design

[73] 六福集團有限公司

Luk Fook Holdings Company Limited

Floor 15, 20, 25 & 27, Metropole Square,

No.2 On Yiu Street, Shatin, New Territories,

HONG KONG

[74] Luk Fook Holdings Company Limited (Legal Affairs Department)

Floor 25, Metropole Square

No.2 On Yiu Street, Shatin, New Territories,

HONG KONG



[11] 1913838.3M012

[15] 05-06-2019

[51] Cl. 11-01

[54] 飾物設計

Ornament design

[73] 六福集團有限公司

Luk Fook Holdings Company Limited

Floor 15, 20, 25 & 27, Metropole Square,

No.2 On Yiu Street, Shatin, New Territories,

HONG KONG

[74] Luk Fook Holdings Company Limited (Legal Affairs Department)

Floor 25, Metropole Square

No.2 On Yiu Street, Shatin, New Territories,

HONG KONG



[11] 1913838.3M013

[15] 05-06-2019

[51] Cl. 11-01

[54] 飾物設計

Ornament design

[73] 六福集團有限公司

Luk Fook Holdings Company Limited
Floor 15, 20, 25 & 27, Metropole Square,
No.2 On Yiu Street, Shatin, New Territories,
HONG KONG

[74] Luk Fook Holdings Company Limited (Legal Affairs Department)

Floor 25, Metropole Square
No.2 On Yiu Street, Shatin, New Territories,
HONG KONG



[11] 1913838.3M014

[15] 05-06-2019

[51] Cl. 11-01

[54] 飾物設計

Ornament design

[73] 六福集團有限公司

Luk Fook Holdings Company Limited

Floor 15, 20, 25 & 27, Metropole Square,

No.2 On Yiu Street, Shatin, New Territories,

HONG KONG

[74] Luk Fook Holdings Company Limited (Legal Affairs Department)

Floor 25, Metropole Square

No.2 On Yiu Street, Shatin, New Territories,

HONG KONG



[11] 1913838.3M015

[15] 05-06-2019

[51] Cl. 11-01

[54] 飾物設計

Ornament design

[73] 六福集團有限公司

Luk Fook Holdings Company Limited

Floor 15, 20, 25 & 27, Metropole Square,

No.2 On Yiu Street, Shatin, New Territories,

HONG KONG

[74] Luk Fook Holdings Company Limited (Legal Affairs Department)

Floor 25, Metropole Square

No.2 On Yiu Street, Shatin, New Territories,

HONG KONG



[11] 1913838.3M016

[15] 05-06-2019

[51] Cl. 11-01

[54] 飾物設計

Ornament design

[73] 六福集團有限公司

Luk Fook Holdings Company Limited
Floor 15, 20, 25 & 27, Metropole Square,
No.2 On Yiu Street, Shatin, New Territories,
HONG KONG

[74] Luk Fook Holdings Company Limited (Legal Affairs Department)

Floor 25, Metropole Square
No.2 On Yiu Street, Shatin, New Territories,
HONG KONG



[11] 1913838.3M017

[15] 05-06-2019

[51] Cl. 11-01

[54] 飾物設計

Ornament design

[73] 六福集團有限公司

Luk Fook Holdings Company Limited
Floor 15, 20, 25 & 27, Metropole Square,
No.2 On Yiu Street, Shatin, New Territories,
HONG KONG

[74] Luk Fook Holdings Company Limited (Legal Affairs Department)

Floor 25, Metropole Square
No.2 On Yiu Street, Shatin, New Territories,
HONG KONG



[11] 1913841.9M001

[15] 05-06-2019

[30] 10-12-2018 / CN / 201830714028.0

[51] Cl. 14-01

[54] 耳機

Earphones

[73] 華為技術有限公司

中國內地
廣東省深圳市龍崗區 阪田華為總部辦
公樓

[74] 高保知識產權代理有限公司

香港
荃灣白田壩街 36-44 號
信義工業大廈 9 樓



[11] 1913841.9M002

[15] 05-06-2019

[30] 10-12-2018 / CN / 201830714028.0

[51] C1. 14-01

[54] 耳機

Earphones

[73] 華為技術有限公司

中國內地

廣東省深圳市龍崗區 坂田華為總部辦
公樓

[74] 高保知識產權代理有限公司

香港

荃灣白田壩街 36-44 號
信義工業大廈 9 樓



[11] 1913843.3

[15] 05-06-2019

[51] Cl. 11-02

[54] 一套裝飾壺和杯子

A set of decorative pot and cup

[73] 老鋪黃金(香港)有限公司

LAO PU (HONG KONG) COMPANY LIMITED

Room 801-2, 8/F, Easey Commercial Building,

253-261 Hennessy Road, Wanchai,

HONG KONG

[74] SF LAWYERS

UNIT 1125-1127, PRINCE'S BUILDING,

10 CHATER ROAD, CENTRAL,

HONG KONG



[11] 1913844.5

[15] 05-06-2019

[51] Cl. 11-02

[54] 裝飾壺

Decorative pot

[73] 老鋪黃金(香港)有限公司

LAO PU (HONG KONG) COMPANY LIMITED

Room 801-2, 8/F, Easey Commercial Building,

253-261 Hennessy Road, Wanchai,

HONG KONG

[74] SF LAWYERS

UNIT 1125-1127, PRINCE'S BUILDING,

10 CHATER ROAD, CENTRAL,

HONG KONG



[11] 1913845.8

[15] 05-06-2019

[51] Cl. 11-02

[54] 裝飾壺

Decorative pot

[73] 老鋪黃金(香港)有限公司

LAO PU (HONG KONG) COMPANY LIMITED

Room 801-2, 8/F, Easey Commercial Building,

253-261 Hennessy Road, Wanchai,

HONG KONG

[74] SF LAWYERS

UNIT 1125-1127, PRINCE'S BUILDING,

10 CHATER ROAD, CENTRAL,

HONG KONG



[11] 1913846.0

[15] 05-06-2019

[51] Cl. 11-02

[54] 裝飾壺

Decorative pot

[73] 老鋪黃金(香港)有限公司
LAO PU (HONG KONG) COMPANY LIMITED
Room 801-2, 8/F, Easey Commercial Building,
253-261 Hennessy Road, Wanchai,
HONG KONG

[74] SF LAWYERS
UNIT 1125-1127, PRINCE'S BUILDING,
10 CHATER ROAD, CENTRAL,
HONG KONG



[11] 1913847.2M001

[15] 05-06-2019

[51] Cl. 11-02

[54] 裝飾壺

Decorative pots

[73] 老鋪黃金(香港)有限公司
LAO PU (HONG KONG) COMPANY LIMITED
Room 801-2, 8/F, Easey Commercial Building,
253-261 Hennessy Road, Wanchai,
HONG KONG

[74] SF LAWYERS
UNIT 1125-1127, PRINCE'S BUILDING,
10 CHATER ROAD, CENTRAL,
HONG KONG



[11] 1913847.2M002

[15] 05-06-2019

[51] Cl. 11-02

[54] 裝飾壺

Decorative pots

[73] 老鋪黃金(香港)有限公司

LAO PU (HONG KONG) COMPANY LIMITED

Room 801-2, 8/F, Easey Commercial Building,

253-261 Hennessy Road, Wanchai,

HONG KONG

[74] SF LAWYERS

UNIT 1125-1127, PRINCE'S BUILDING,

10 CHATER ROAD, CENTRAL,

HONG KONG



[11] 1913847.2M003

[15] 05-06-2019

[51] Cl. 11-02

[54] 裝飾壺

Decorative pots

[73] 老鋪黃金(香港)有限公司

LAO PU (HONG KONG) COMPANY LIMITED

Room 801-2, 8/F, Easey Commercial Building,

253-261 Hennessy Road, Wanchai,

HONG KONG

- [74] SF LAWYERS
UNIT 1125-1127, PRINCE'S BUILDING,
10 CHATER ROAD, CENTRAL,
HONG KONG



-
- [11] 1913848.4
[15] 05-06-2019
[51] Cl. 11-02
[54] 裝飾物
Ornament
[73] 老鋪黃金(香港)有限公司
LAO PU (HONG KONG) COMPANY LIMITED
Room 801-2, 8/F, Easey Commercial Building,
253-261 Hennessy Road, Wanchai,
HONG KONG
[74] SF LAWYERS
UNIT 1125-1127, PRINCE'S BUILDING,
10 CHATER ROAD, CENTRAL,
HONG KONG



-
- [11] 1913849.6
[15] 05-06-2019
[51] Cl. 11-02

[54] 裝飾物

Ornament

[73] 老鋪黃金(香港)有限公司

LAO PU (HONG KONG) COMPANY LIMITED

Room 801-2, 8/F, Easey Commercial Building,
253-261 Hennessy Road, Wanchai,

HONG KONG

[74] SF LAWYERS

UNIT 1125-1127, PRINCE'S BUILDING,

10 CHATER ROAD, CENTRAL,

HONG KONG



[11] 1913850.8

[15] 05-06-2019

[51] Cl. 11-02

[54] 裝飾物

Ornament

[73] 老鋪黃金(香港)有限公司

LAO PU (HONG KONG) COMPANY LIMITED

Room 801-2, 8/F, Easey Commercial Building,
253-261 Hennessy Road, Wanchai,

HONG KONG

[74] SF LAWYERS

UNIT 1125-1127, PRINCE'S BUILDING,

10 CHATER ROAD, CENTRAL,

HONG KONG



- [11] 1913852.2
[15] 05-06-2019
[51] Cl. 11-01
[54] 手鐲
Bracelet
[73] 老鋪黃金(香港)有限公司
LAO PU (HONG KONG) COMPANY LIMITED
Room 801-2, 8/F, Easey Commercial Building,
253-261 Hennessy Road, Wanchai,
HONG KONG
[74] SF LAWYERS
UNIT 1125-1127, PRINCE'S BUILDING,
10 CHATER ROAD, CENTRAL,
HONG KONG



-
- [11] 1913853.4
[15] 05-06-2019
[51] Cl. 11-01
[54] 手鐲
Bracelet
[73] 老鋪黃金(香港)有限公司
LAO PU (HONG KONG) COMPANY LIMITED
Room 801-2, 8/F, Easey Commercial Building,
253-261 Hennessy Road, Wanchai,
HONG KONG
[74] SF LAWYERS
UNIT 1125-1127, PRINCE'S BUILDING,
10 CHATER ROAD, CENTRAL,
HONG KONG



[11] 1913854.6

[15] 05-06-2019

[51] Cl. 11-01

[54] 手鐲

Bracelet

[73] 老鋪黃金(香港)有限公司

LAO PU (HONG KONG) COMPANY LIMITED

Room 801-2, 8/F, Easey Commercial Building,

253-261 Hennessy Road, Wanchai,

HONG KONG

[74] SF LAWYERS

UNIT 1125-1127, PRINCE'S BUILDING,

10 CHATER ROAD, CENTRAL,

HONG KONG



[11] 1913855.9

[15] 05-06-2019

[51] Cl. 11-01

[54] 手鐲

Bracelet

[73] 老鋪黃金(香港)有限公司

LAO PU (HONG KONG) COMPANY LIMITED

Room 801-2, 8/F, Easey Commercial Building,

253-261 Hennessy Road, Wanchai,
HONG KONG

- [74] SF LAWYERS
UNIT 1125-1127, PRINCE'S BUILDING,
10 CHATER ROAD, CENTRAL,
HONG KONG



[11] 1913856.1

[15] 05-06-2019

[51] Cl. 11-01

[54] 指環
Ring

- [73] 老鋪黃金(香港)有限公司
LAO PU (HONG KONG) COMPANY LIMITED
Room 801-2, 8/F, Easey Commercial Building,
253-261 Hennessy Road, Wanchai,
HONG KONG

- [74] SF LAWYERS
UNIT 1125-1127, PRINCE'S BUILDING,
10 CHATER ROAD, CENTRAL,
HONG KONG



[11] 1913869.8

[15] 05-06-2019

[51] Cl. 11-01

[54] 手鐲
Bracelet

[73] 老鋪黃金(香港)有限公司
LAO PU (HONG KONG) COMPANY LIMITED
Room 801-2, 8/F, Easey Commercial Building,
253-261 Hennessy Road, Wanchai,
HONG KONG

[74] SF LAWYERS
UNIT 1125-1127, PRINCE'S BUILDING,
10 CHATER ROAD, CENTRAL,
HONG KONG



[11] 1913878.7

[15] 05-06-2019

[51] Cl. 11-01

[54] 吊墜

Pendant

[73] 老鋪黃金(香港)有限公司
LAO PU (HONG KONG) COMPANY LIMITED
Room 801-2, 8/F, Easey Commercial Building,
253-261 Hennessy Road, Wanchai,
HONG KONG

[74] SF LAWYERS
UNIT 1125-1127, PRINCE'S BUILDING,
10 CHATER ROAD, CENTRAL,
HONG KONG



[11] 1913880.1

[15] 05-06-2019

[51] Cl. 11-01

[54] 吊墜

Pendant

[73] 老鋪黃金(香港)有限公司

LAO PU (HONG KONG) COMPANY LIMITED

Room 801-2, 8/F, Easey Commercial Building,

253-261 Hennessy Road, Wanchai,

HONG KONG

[74] SF LAWYERS

UNIT 1125-1127, PRINCE'S BUILDING,

10 CHATER ROAD, CENTRAL,

HONG KONG



[11] 1913885.2

[15] 05-06-2019

[51] Cl. 11-01

[54] 吊墜

Pendant

[73] 老鋪黃金(香港)有限公司

LAO PU (HONG KONG) COMPANY LIMITED

Room 801-2, 8/F, Easey Commercial Building,

253-261 Hennessy Road, Wanchai,

HONG KONG

[74] SF LAWYERS

UNIT 1125-1127, PRINCE'S BUILDING,

10 CHATER ROAD, CENTRAL,

HONG KONG



[11] 1913895.3

[15] 06-06-2019

[30] 11-01-2019 / EU, RS, MA, KR, SG, CH, UA, US, TR / 970009009

[51] Cl. 10-07

[54] 手錶帶

Watch strap

[73] CHOPARD INTERNATIONAL SA

Route de Promenthoux,

1197 Prangins

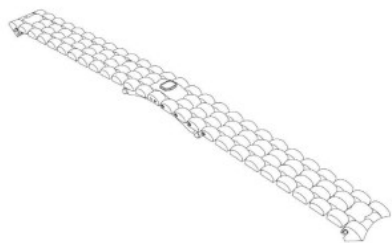
SWITZERLAND

[74] WILKINSON & GRIST

6th Floor, Prince's Building

Chater Road

HONG KONG



[11] 1913898.9

[15] 06-06-2019

[51] Cl. 15-99

[54] 壓便士機械釋放手臂

Penny press machine release arm

[73] Asian Enterprise Limited

17 Fung On Village,

Tai Chung Hau, Sai Kung

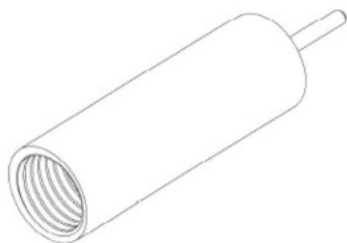
HONG KONG

[74] Rouse & Co. International (Overseas) Limited

18/F., Golden Centre,

188 Des Voeux Road Central,

HONG KONG



[11] 1913913.2M001

[15] 10-06-2019

[30] 17-12-2018 / US / 29/673,721

[51] Cl. 27-99

[54] 具動畫指示物的噴霧器

Vaporizer device with animated indicator

[73] JUUL Labs, Inc.

560 20th Street, Building 104,

San Francisco, CA 94107,

UNITED STATES

[74] HONG KONG INTELLECTUAL PROPERTY AGENT LIMITED
Unit 230, 2/F, Building 12W, No. 12 Science Park West Avenue,
Phase 3, Hong Kong Science Park, Pak Shek Kok, N.T.,
HONG KONG



[11] 1913913.2M002

[15] 10-06-2019

[30] 17-12-2018 / US / 29/673,721

[51] Cl. 27-99

[54] 具動畫指示物的噴霧器

Vaporizer device with animated indicator

[73] JUUL Labs, Inc.

560 20th Street, Building 104,

San Francisco, CA 94107,

UNITED STATES

[74] HONG KONG INTELLECTUAL PROPERTY AGENT LIMITED

Unit 230, 2/F, Building 12W, No. 12 Science Park West Avenue,

Phase 3, Hong Kong Science Park, Pak Shek Kok, N.T.,

HONG KONG



[11] 1913913.2M003

[15] 10-06-2019

[30] 17-12-2018 / US / 29/673,721

[51] Cl. 27-99

[54] 具動畫指示物的噴霧器

Vaporizer device with animated indicator

[73] JUUL Labs, Inc.

560 20th Street, Building 104,

San Francisco, CA 94107,

UNITED STATES

[74] HONG KONG INTELLECTUAL PROPERTY AGENT LIMITED

Unit 230, 2/F, Building 12W, No. 12 Science Park West Avenue,

Phase 3, Hong Kong Science Park, Pak Shek Kok, N.T.,

HONG KONG



[11] 1913913.2M004

[15] 10-06-2019

[30] 17-12-2018 / US / 29/673,721

[51] Cl. 27-99

[54] 具動畫指示物的噴霧器

Vaporizer device with animated indicator

[73] JUUL Labs, Inc.

560 20th Street, Building 104,

San Francisco, CA 94107,

UNITED STATES

[74] HONG KONG INTELLECTUAL PROPERTY AGENT LIMITED

Unit 230, 2/F, Building 12W, No. 12 Science Park West Avenue,

Phase 3, Hong Kong Science Park, Pak Shek Kok, N.T.,

HONG KONG



[11] 1913913.2M005

[15] 10-06-2019

[30] 17-12-2018 / US / 29/673,721

[51] Cl. 27-99

[54] 具動畫指示物的噴霧器

Vaporizer device with animated indicator

[73] JUUL Labs, Inc.

560 20th Street, Building 104,

San Francisco, CA 94107,

UNITED STATES

[74] HONG KONG INTELLECTUAL PROPERTY AGENT LIMITED

Unit 230, 2/F, Building 12W, No. 12 Science Park West Avenue,

Phase 3, Hong Kong Science Park, Pak Shek Kok, N.T.,

HONG KONG



[11] 1913913.2M006

[15] 10-06-2019

[30] 17-12-2018 / US / 29/673,721

[51] Cl. 27-99

[54] 具動畫指示物的噴霧器

Vaporizer device with animated indicator

[73] JUUL Labs, Inc.

560 20th Street, Building 104,

San Francisco, CA 94107,

UNITED STATES

[74] HONG KONG INTELLECTUAL PROPERTY AGENT LIMITED

Unit 230, 2/F, Building 12W, No. 12 Science Park West Avenue,

Phase 3, Hong Kong Science Park, Pak Shek Kok, N.T.,

HONG KONG



[11] 1913913.2M007

[15] 10-06-2019

[30] 17-12-2018 / US / 29/673,721

[51] Cl. 27-99

[54] 具動畫指示物的噴霧器

Vaporizer device with animated indicator

[73] JUUL Labs, Inc.

560 20th Street, Building 104,

San Francisco, CA 94107,

UNITED STATES

[74] HONG KONG INTELLECTUAL PROPERTY AGENT LIMITED

Unit 230, 2/F, Building 12W, No. 12 Science Park West Avenue,

Phase 3, Hong Kong Science Park, Pak Shek Kok, N.T.,

HONG KONG



[11] 1913913.2M008

[15] 10-06-2019

[30] 17-12-2018 / US / 29/673,721

[51] Cl. 27-99

[54] 具動畫指示物的噴霧器

Vaporizer device with animated indicator

[73] JUUL Labs, Inc.

560 20th Street, Building 104,

San Francisco, CA 94107,

UNITED STATES

[74] HONG KONG INTELLECTUAL PROPERTY AGENT LIMITED

Unit 230, 2/F, Building 12W, No. 12 Science Park West Avenue,

Phase 3, Hong Kong Science Park, Pak Shek Kok, N.T.,

HONG KONG



[11] 1913913.2M009

[15] 10-06-2019

[30] 17-12-2018 / US / 29/673,721

[51] Cl. 27-99

[54] 具動畫指示物的噴霧器

Vaporizer device with animated indicator

[73] JUUL Labs, Inc.

560 20th Street, Building 104,

San Francisco, CA 94107,

UNITED STATES

[74] HONG KONG INTELLECTUAL PROPERTY AGENT LIMITED

Unit 230, 2/F, Building 12W, No. 12 Science Park West Avenue,

Phase 3, Hong Kong Science Park, Pak Shek Kok, N.T.,

HONG KONG



[11] 1913913.2M010

[15] 10-06-2019

[30] 17-12-2018 / US / 29/673,721

[51] Cl. 27-99

[54] 具動畫指示物的噴霧器

Vaporizer device with animated indicator

[73] JUUL Labs, Inc.

560 20th Street, Building 104,

San Francisco, CA 94107,

UNITED STATES

[74] HONG KONG INTELLECTUAL PROPERTY AGENT LIMITED

Unit 230, 2/F, Building 12W, No. 12 Science Park West Avenue,

Phase 3, Hong Kong Science Park, Pak Shek Kok, N.T.,

HONG KONG



[11] 1913913.2M011

[15] 10-06-2019

[30] 17-12-2018 / US / 29/673,721

[51] Cl. 27-99

[54] 具動畫指示物的噴霧器

Vaporizer device with animated indicator

[73] JUUL Labs, Inc.

560 20th Street, Building 104,

San Francisco, CA 94107,

UNITED STATES

[74] HONG KONG INTELLECTUAL PROPERTY AGENT LIMITED

Unit 230, 2/F, Building 12W, No. 12 Science Park West Avenue,

Phase 3, Hong Kong Science Park, Pak Shek Kok, N.T.,

HONG KONG



[11] 1913913.2M012

[15] 10-06-2019

[30] 17-12-2018 / US / 29/673,721

[51] Cl. 27-99

[54] 具動畫指示物的噴霧器

Vaporizer device with animated indicator

[73] JUUL Labs, Inc.

560 20th Street, Building 104,

San Francisco, CA 94107,

UNITED STATES

[74] HONG KONG INTELLECTUAL PROPERTY AGENT LIMITED

Unit 230, 2/F, Building 12W, No. 12 Science Park West Avenue,

Phase 3, Hong Kong Science Park, Pak Shek Kok, N.T.,

HONG KONG



[11] 1913913.2M013

[15] 10-06-2019

[30] 17-12-2018 / US / 29/673,721

[51] Cl. 27-99

[54] 具動畫指示物的噴霧器

Vaporizer device with animated indicator

[73] JUUL Labs, Inc.

560 20th Street, Building 104,

San Francisco, CA 94107,

UNITED STATES

[74] HONG KONG INTELLECTUAL PROPERTY AGENT LIMITED

Unit 230, 2/F, Building 12W, No. 12 Science Park West Avenue,

Phase 3, Hong Kong Science Park, Pak Shek Kok, N.T.,

HONG KONG



[11] 1913913.2M014

[15] 10-06-2019

[30] 17-12-2018 / US / 29/673,721

[51] Cl. 27-99

[54] 具動畫指示物的噴霧器

Vaporizer device with animated indicator

[73] JUUL Labs, Inc.

560 20th Street, Building 104,

San Francisco, CA 94107,

UNITED STATES

[74] HONG KONG INTELLECTUAL PROPERTY AGENT LIMITED

Unit 230, 2/F, Building 12W, No. 12 Science Park West Avenue,

Phase 3, Hong Kong Science Park, Pak Shek Kok, N.T.,

HONG KONG



[11] 1913913.2M015

[15] 10-06-2019

[30] 17-12-2018 / US / 29/673,721

[51] Cl. 27-99

[54] 具動畫指示物的噴霧器

Vaporizer device with animated indicator

[73] JUUL Labs, Inc.

560 20th Street, Building 104,

San Francisco, CA 94107,

UNITED STATES

[74] HONG KONG INTELLECTUAL PROPERTY AGENT LIMITED

Unit 230, 2/F, Building 12W, No. 12 Science Park West Avenue,

Phase 3, Hong Kong Science Park, Pak Shek Kok, N.T.,

HONG KONG



[11] 1913913.2M016

[15] 10-06-2019

[30] 17-12-2018 / US / 29/673,721

[51] Cl. 27-99

[54] 具動畫指示物的噴霧器

Vaporizer device with animated indicator

[73] JUUL Labs, Inc.

560 20th Street, Building 104,

San Francisco, CA 94107,

UNITED STATES

[74] HONG KONG INTELLECTUAL PROPERTY AGENT LIMITED

Unit 230, 2/F, Building 12W, No. 12 Science Park West Avenue,

Phase 3, Hong Kong Science Park, Pak Shek Kok, N.T.,

HONG KONG



[11] 1913913.2M017

[15] 10-06-2019

[30] 17-12-2018 / US / 29/673,721

[51] Cl. 27-99

[54] 具動畫指示物的噴霧器

Vaporizer device with animated indicator

[73] JUUL Labs, Inc.

560 20th Street, Building 104,

San Francisco, CA 94107,

UNITED STATES

[74] HONG KONG INTELLECTUAL PROPERTY AGENT LIMITED

Unit 230, 2/F, Building 12W, No. 12 Science Park West Avenue,

Phase 3, Hong Kong Science Park, Pak Shek Kok, N.T.,

HONG KONG



[11] 1913913.2M018

[15] 10-06-2019

[30] 17-12-2018 / US / 29/673,721

[51] Cl. 27-99

[54] 具動畫指示物的噴霧器

Vaporizer device with animated indicator

[73] JUUL Labs, Inc.

560 20th Street, Building 104,

San Francisco, CA 94107,

UNITED STATES

[74] HONG KONG INTELLECTUAL PROPERTY AGENT LIMITED

Unit 230, 2/F, Building 12W, No. 12 Science Park West Avenue,

Phase 3, Hong Kong Science Park, Pak Shek Kok, N.T.,

HONG KONG



[11] 1913913.2M019

[15] 10-06-2019

[30] 17-12-2018 / US / 29/673,721

[51] Cl. 27-99

[54] 具動畫指示物的噴霧器

Vaporizer device with animated indicator

[73] JUUL Labs, Inc.

560 20th Street, Building 104,

San Francisco, CA 94107,

UNITED STATES

[74] HONG KONG INTELLECTUAL PROPERTY AGENT LIMITED

Unit 230, 2/F, Building 12W, No. 12 Science Park West Avenue,

Phase 3, Hong Kong Science Park, Pak Shek Kok, N.T.,

HONG KONG



[11] 1913913.2M020

[15] 10-06-2019

[30] 17-12-2018 / US / 29/673,721

[51] Cl. 27-99

[54] 具動畫指示物的噴霧器

Vaporizer device with animated indicator

[73] JUUL Labs, Inc.

560 20th Street, Building 104,

San Francisco, CA 94107,

UNITED STATES

[74] HONG KONG INTELLECTUAL PROPERTY AGENT LIMITED

Unit 230, 2/F, Building 12W, No. 12 Science Park West Avenue,

Phase 3, Hong Kong Science Park, Pak Shek Kok, N.T.,

HONG KONG



[11] 1913913.2M021

[15] 10-06-2019

[30] 17-12-2018 / US / 29/673,721

[51] Cl. 27-99

[54] 具動畫指示物的噴霧器

Vaporizer device with animated indicator

[73] JUUL Labs, Inc.

560 20th Street, Building 104,

San Francisco, CA 94107,

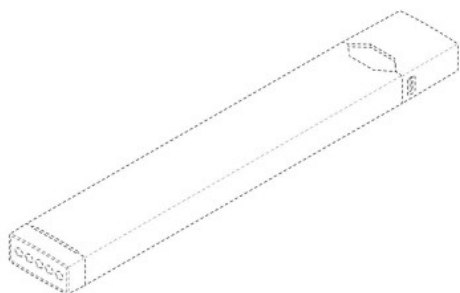
UNITED STATES

[74] HONG KONG INTELLECTUAL PROPERTY AGENT LIMITED

Unit 230, 2/F, Building 12W, No. 12 Science Park West Avenue,

Phase 3, Hong Kong Science Park, Pak Shek Kok, N.T.,

HONG KONG



[11] 1914769.7M001

[15] 04-10-2019

[30] 04-04-2019 / EU / 006368296-0001

[51] Cl. 9-01

[54] 飲水機瓶子

Bottle For water dispensers

[73] SOCIETE ANONYME DES EAUX MINERALES D'EVIAN

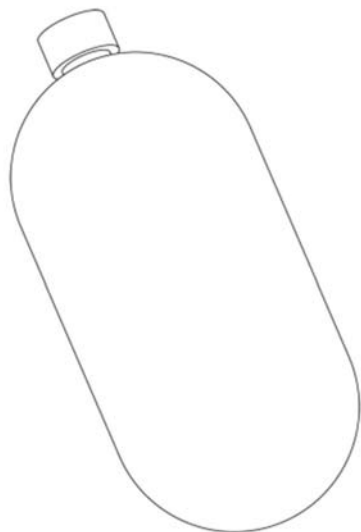
11 avenue du Général Dupas, F-74500 EVIAN LES BAINS, FRANCE

[74] HASTINGS & CO

5/F Gloucester Tower, The Landmark,

11 Pedder Street, Central,

HONG KONG



[11] 1914769.7M002

[15] 04-10-2019

[30] 04-04-2019 / EU / 006368296-0002

[51] Cl. 9-01

[54] 飲水機瓶子

Bottle For water dispensers

[73] SOCIETE ANONYME DES EAUX MINERALES D'EVIAN

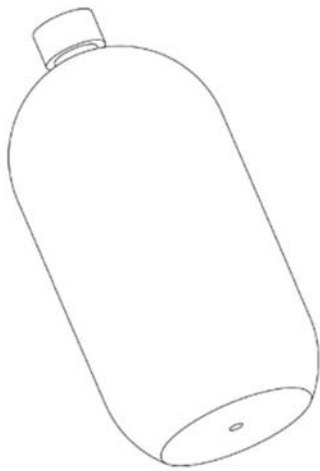
11 avenue du Général Dupas, F-74500 EVIAN LES BAINS, FRANCE

[74] HASTINGS & CO

5/F Gloucester Tower, The Landmark,

11 Pedder Street, Central,

HONG KONG



[11] 1914769.7M003

[15] 04-10-2019

[30] 04-04-2019 / EU / 006368296-0003

[51] Cl. 9-01

[54] 飲水機瓶子

Bottle For water dispensers

[73] SOCIETE ANONYME DES EAUX MINERALES D'EVIAN

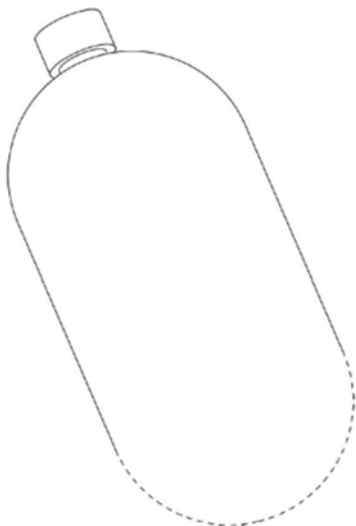
11 avenue du Général Dupas, F-74500 EVIAN LES BAINS, FRANCE

[74] HASTINGS & CO

5/F Gloucester Tower, The Landmark,

11 Pedder Street, Central,

HONG KONG





香港特別行政區政府知識產權署外觀設計註冊處

The Government of the Hong Kong Special Administrative Region

Designs Registry, Intellectual Property Department

根據註冊外觀設計條例第28條，下列註冊外觀設計因未繳續期費而停止有效。

各組記項按註冊外觀設計停止有效日期及註冊編號先後次序排列。

Registered designs ceased through non-payment of renewal fees under section 28 of the Registered Designs Ordinance. Entries are listed below under their expiry dates.

17-10-2019 - 23-10-2019

17-10-2019	0901756.3M004	23-10-2019
0412381.4	0901759.9M001	1401998.2
	0901759.9M002	1402000.8
18-10-2019	0901764.9M001	1402001.0
0901719.5M001	0901764.9M003	1402002.2
0901719.5M002	1401980.4	1402004.6M001
0901719.5M003	1401981.6	1402004.6M002
0901727.2	1401984.2M001	1402005.9M001
9911384.3	1401984.2M002	1402005.9M002
9911388.2M006	1401984.2M003	1402005.9M003
9911388.2M007	1401985.5M001	1402005.9M004
9911389.4	1401985.5M002	1402006.1
	1401985.5M003	1402007.3
19-10-2019	1401985.5M004	1402008.5M001
0901730.8	1401985.5M005	1402008.5M002
0901731.0	1401985.5M006	1402008.5M003
0901736.1M001	1401986.7	1402008.5M004
1401974.1	1401987.9	1402008.5M005
1401976.6M001	1401988.1	
1401976.6M002	9911415.1	

20-10-2019

0412411.9
0412416.0
0412417.2
0412418.4
1401977.8M001
1401977.8M002
1401979.2

22-10-2019

0901768.8
1401989.3M001
1401989.3M002
1401990.5
1401991.7
1401994.3M002
1401994.3M003
1401994.3M004
1401994.3M006
1401994.3M007
1401997.0

21-10-2019

0901756.3M001
0901756.3M002
0901756.3M003



香港特別行政區政府知識產權署外觀設計註冊處

The Government of the Hong Kong Special Administrative Region

Designs Registry, Intellectual Property Department

根據註冊外觀設計規則第 31 條刪除的註冊外觀設計。各組記項按註冊外觀設計 刪除日期及註冊編號先後次序排列。

Registered designs removed under section 31 of the Registered Designs Rules. Entries are listed below under their removal dates.

25-10-2019 - 31-10-2019

25-10-2019	1400742.9	9910481.8
1400732.8	9910468.1M001	9910482.0M001
	9910468.1M002	9910482.0M002
28-10-2019	9910471.7	9910482.0M003
0410802.7		
0410817.9	30-10-2019	31-10-2019
0410826.8	0410853.4	1400757.1
0410830.6	0900652.1	1400758.3
0410836.9	1400749.4M001	1400759.5
0900625.5	1400749.4M002	1400760.7
0900628.1	1400749.4M003	
0900629.3	1400749.4M004	
0900630.5	1400749.4M005	
0900631.7	1400749.4M006	
0900633.1	1400749.4M007	
0900635.6	1400749.4M008	
0900636.8	1400749.4M009	
	1400749.4M010	
29-10-2019	1400749.4M011	
0900647.1M001	1400749.4M012	
0900647.1M003	1400749.4M013	
0900647.1M005	1400749.4M014	
0900648.3M001	1400749.4M015	
0900648.3M002	1400749.4M016	
0900648.3M003	1400749.4M017	
0900648.3M004	1400749.4M018	
1400735.5M001	1400749.4M019	
1400735.5M002	1400749.4M020	
1400736.7	1400749.4M021	
1400738.1	1400749.4M022	
1400739.3	1400749.4M023	
1400740.5	1400750.6	
1400741.7M001	1400751.8	
1400741.7M002	1400752.0	



香港特別行政區政府知識產權署外觀設計註冊處

The Government of the Hong Kong Special Administrative Region

Designs Registry, Intellectual Property Department

根據註冊外觀設計條例第 67 及 76 條，更正註冊紀錄冊內及已提交文件中的錯誤

Correction of Errors in Register and in Filed Documents under sections 67 and 76 of the Registered Designs Ordinance

下列在 26-07-2019 官方公報刊登的更正錯誤的請求已在 25-10-2019 獲准許

26-07-2019 The following requests for correction of error advertised in the official journal on 25-10-2019 were allowed on

[11] 1800108.9

[17] 25-10-2019