

香港知識產權公報

Hong Kong Intellectual Property Journal

2021年7月16日

16 July 2021

目錄 Contents

根據註冊外觀設計條例第 25 條註冊的外觀設計

Designs Registered under section 25 of the Registered Designs Ordinance

按註冊編號排列

Arranged by Registration Number

根據註冊外觀設計條例(第 522 章)公布的其他公告

Other Notices Published under the Registered Designs Ordinance (Cap. 522)

根據註冊外觀設計條例第 28 條，註冊外觀設計因未繳續期費而停止有效

Registered designs ceased through non-payment of renewal fees under section 28 of the Registered Designs Ordinance

根據註冊外觀設計規則第 31 條刪除的註冊外觀設計

Registered designs removed under section 31 of the Registered Designs Rules

根據註冊外觀設計條例第 76 條，更正已提交文件中的錯誤

Correction of errors in filed documents under section 76 of the Registered Designs Ordinance

以下事項沒有記錄

No Records for the Following Matters

根據註冊外觀設計條例第 30 條放棄的外觀設計的註冊

Surrender of Registration of Design under section 30 of the Registered Designs Ordinance

根據註冊外觀設計規則第 37 條，向處長作出轉介

Reference to Registrar under section 37 of the Registered Designs Rules

根據註冊外觀設計條例第 45 條，撤銷註冊

Revocation of Registration under section 45 of the Registered Designs Ordinance

根據註冊外觀設計規則第 46 條，向法院作出轉介

Reference to Court under section 46 of the Registered Designs Rules

根據註冊外觀設計規則第 63 條對不符合規定之處作出糾正

Rectification of Irregularities under section 63 of the Registered Designs Rules

根據註冊外觀設計條例第 66 條，糾正註冊紀錄冊

Rectification of Register under section 66 of the Registered Designs Ordinance

根據註冊外觀設計條例第 67 條 更正註冊紀錄冊內的錯誤

Correction of errors in Register under section 67 of the Registered Designs Ordinance

根據註冊外觀設計條例第 67 及 76 條，更正註冊紀錄冊內及已提交文件中的錯誤

Correction of Errors in Register and in Filed Documents under sections 67 and 76 of the Registered Designs Ordinance

勘誤

Corrigendum

註冊外觀設計公告註釋

Notes on advertisements of registration of designs

方括號表示下列資料：

Square brackets indicate the following data：

[11] 註冊編號 Registration number / 聯合王國註冊編號 United Kingdom registration number

[15] 註冊日期 Registration date / 當作註冊日期 Deemed registration date / 聯合王國註冊日期 United Kingdom registration date

[17] 註冊有效期屆滿日期 Expiry date of the period of registration

[22] 提交日期 Filing date / 當作提交日期 Deemed filing date / 聯合王國提交日期 United Kingdom filing date

[30] 聲稱享有的優先權（提交日期 / 巴黎公約國或世界貿易組織成員 / 申請編號） Priority claimed (filing date / Paris Convention country or WTO member / application number)

[51] 國際外觀設計分類號（洛迦諾分類號） International Classification of designs (Locarno Classification)

[54] 物品 Article

[55] 外觀設計的表述 Representation of the design

[62] 分開前的申請編號及提交日期 Application number before division and filing date

[66] 過往註冊的聯繫外觀設計註冊編號 / 日期 Registration No. / Date of Previous Registration for Association

[72] 設計人 Designer

[73] 擁有人姓名和地址 Name and address of the owner

[74] 代理人 Agent / 送達地址 Address for service



香港特別行政區政府知識產權署外觀設計註冊處

The Government of the Hong Kong Special Administrative Region

Designs Registry, Intellectual Property Department

根據註冊外觀設計條例第 25 條註冊的外觀設計

Designs registered under section 25 of the Registered Designs Ordinance

按註冊編號排列

Arranged by Registration Number

[11] 2017353.0M001

[15] 29-12-2020

[30] 03-07-2020 / JP / 013689 of 2020

[51] Cl. 9-01

[54] 一個用於包裝的容器

A container for package

[73] ALBION CO., LTD.

1-7-10, Ginza, Chuo-Ku,

Tokyo, 104-0061,

Japan

[74] WILKINSON & GRIST

6th Floor, Prince's Building,

Chater Road,

Hong Kong



[11] 2017353.0M002

[15] 29-12-2020

[30] 03-07-2020 / JP / 013690 of 2020

[51] Cl. 9-01

[54] 一個用於包裝的容器

A container for package

[73] ALBION CO., LTD.

1-7-10, Ginza, Chuo-Ku,

Tokyo, 104-0061,

Japan

[74] WILKINSON & GRIST

6th Floor, Prince's Building,

Chater Road,

Hong Kong



[11] 2017353.0M003

[15] 29-12-2020

[30] 29-07-2020 / JP / 015752 of 2020

[51] Cl. 9-01

[54] 一個用於包裝的容器

A container for package

[73] ALBION CO., LTD.

1-7-10, Ginza, Chuo-Ku,

Tokyo, 104-0061,

Japan

[74] WILKINSON & GRIST

6th Floor, Prince's Building,

Chater Road,

Hong Kong



-
- [11] 2017353.0M004
[15] 29-12-2020
[30] 21-08-2020 / JP / 017522 of 2020
[51] Cl. 9-01
[54] 一個用於包裝的容器
A container for package
[73] ALBION CO., LTD.
1-7-10, Ginza, Chuo-Ku,
Tokyo, 104-0061,
Japan
[74] WILKINSON & GRIST
6th Floor, Prince's Building,
Chater Road,
Hong Kong



-
- [11] 2117468.5
[15] 22-01-2021

[30] 24-07-2020 / CN / 202030407498.X

[51] Cl. 13-03

[54] 電源轉換器

Power adapter

[73] 東莞市佳旅電器有限公司

Dongguan Best Travel Electronics Co., Ltd.

中國內地

廣東省東莞市長安鎮上角社區銅古中路 6 號

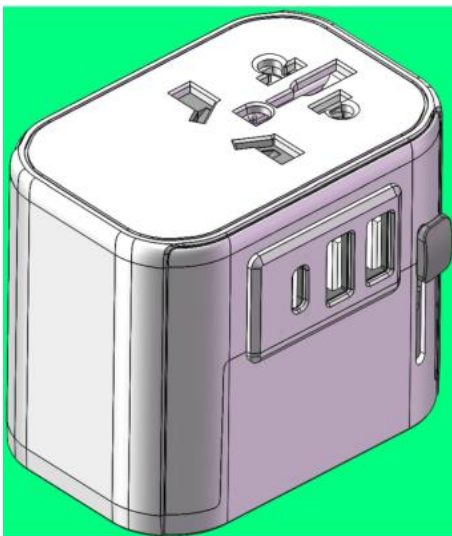
B 棟四樓 402

[74] 旻貝國際知識產權代理有限公司

香港新界

白石角香港科學園

第三期科技大道西 12 號 2 樓 230 室



[11] 2117716.3M001

[15] 18-03-2021

[51] Cl. 26-01

[54] 燭臺

Candlestick

[73] 霍麗英

Fok Lai Ying

1F, Block 7, Hang Cheong GDN, Stage3,

Shui Chiu Lo Wai, Tai Tong Road,

Yuen Long, N.T., Hong Kong

[74] Fok Lai Ying

1F, Block 7, Hang Cheong GDN, Stage3,

Shui Chiu Lo Wai, Tai Tong Road,

Yuen Long, N.T., Hong Kong



[11] 2117716.3M002

[15] 18-03-2021

[51] Cl. 26-01

[54] 燭臺

Candlestick

[73] 霍麗英

Fok Lai Ying

1F, Block 7, Hang Cheong GDN, Stage3,

Shui Chiu Lo Wai, Tai Tong Road,

Yuen Long, N.T., Hong Kong

[74] Fok Lai Ying

1F, Block 7, Hang Cheong GDN, Stage3,

Shui Chiu Lo Wai, Tai Tong Road,

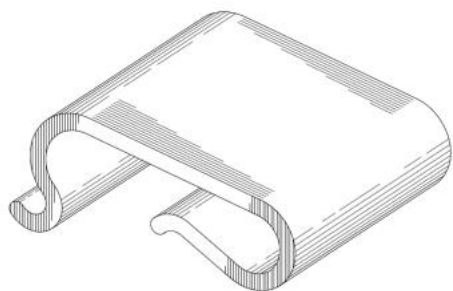
Yuen Long, N.T., Hong Kong



- [11] 2117852.0
[15] 14-04-2021
[30] 14-10-2020 / CN / 202030610360.X
[51] Cl. 14-01
[54] 藍牙音箱
Bluetooth speaker
[73] 深圳市道格拉斯科技有限公司
Shenzhen Doageas Technology Limited
中國內地
廣東省深圳市龍華新區觀瀾街道
獅徑村核電工業園 4 棟 5 樓 A 區
[74] ARK INTELLECTUAL PROPERTY (HK) LIMITED
香港銅鑼灣
怡和街 28 號
恒生銅鑼灣大廈 12 樓 B 室



-
- [11] 2117894.8
[15] 22-04-2021
[30] 12-11-2020 / CA / 199315
[51] Cl. 9-07
[54] 迷你溫室的夾
Clip for a mini-greenhouse
[73] MONDI PRODUCTS LTD.
4848 - 349 West Georgia Street,
Vancouver BC V6B 4A4,
Canada
[74] CHINAHONGKONG IP LIMITED
3011, 30/F, Office Tower, Convention Plaza,
1 Harbour Road,
Hong Kong



[11] 2117950.8

[15] 30-04-2021

[30] 22-03-2021 / CN / 202130153919.5

[51] Cl. 6-08

[54] 伸縮型晾衣架

Telescopic clothes hanger

[73] 廣州煌牌自動設備有限公司

GUANGZHOU SIGNKING AUTOMATION CO.,LTD

中國內地

廣州市番禺區東環街番禺大道北 555 號

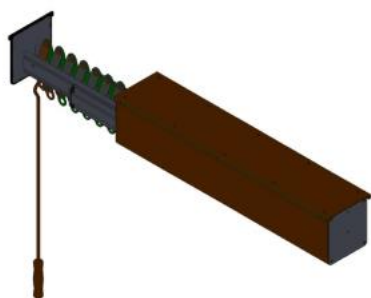
番禺節能科技園內天安科技發展大廈 201B

[74] 卓遠知識產權有限公司

香港上環

禧利街 27 號

富輝商業中心 10 樓



[11] 2118059.9

[15] 08-06-2021

[51] Cl. 12-16

[54] 用於汽車擋風玻璃的清潔裝置，雨刷器

A wiper, used as a cleaning device for automobile windshield

[73] 楊歡

YEUNG FUN

香港荃灣

灰窰角街 50-56 號

昌泰工業大廈 10 樓 A50 室

[74] 里創

香港荃灣

灰窰角街 50-56 號

昌泰工業大廈 10 樓 A50 室



[11] 2118067.6M001

[15] 26-05-2021

[51] Cl. 23-04

[54] 香薰機

Aroma diffuser

[73] 盛開蓮花有限公司

Bloomy Lotus Ltd

Unit 4711, 47/F., The Center,

99 Queen's Road Central,

Central, Hong Kong

[74] FEDERATION OF HONG KONG INDUSTRIES

31/F, Billion Plaza,

8 Cheung Yue Street,

Cheung Sha Wan, Kowloon, Hong Kong



[11] 2118067.6M002

[15] 26-05-2021

[51] Cl. 23-04

[54] 香薰機

Aroma diffuser

[73] 盛開蓮花有限公司

Bloomy Lotus Ltd

Unit 4711, 47/F., The Center,

99 Queen's Road Central,

Central, Hong Kong

[74] FEDERATION OF HONG KONG INDUSTRIES

31/F, Billion Plaza,

8 Cheung Yue Street,

Cheung Sha Wan, Kowloon, Hong Kong



[11] 2118070.2M001

- [15] 27-05-2021
- [30] 22-12-2020 / CA, AM, AZ, BZ, BA, GE, LI, MK, MD, MC, MN, ME, MA, NO, OM, SG, CH, TN, TR, UA, GB, EU, AL, KG / DM/211 920
- [51] Cl. 11-01
- [54] 項鍊
Necklace
- [73] Harry Winston SA
Chemin du Tourbillon 8,
CH-1228 Plan-les-Ouates,
Switzerland
- [74] SPRUSON & FERGUSON (HONG KONG) LIMITED
5001 Hopewell Centre,
183 Queen's Road East,
Wan Chai, Hong Kong



-
- [11] 2118070.2M002
- [15] 27-05-2021
- [30] 22-12-2020 / CA, AM, AZ, BZ, BA, GE, LI, MK, MD, MC, MN, ME, MA, NO, OM, SG, CH, TN, TR, UA, GB, EU, AL, KG / DM/211 920
- [51] Cl. 11-01
- [54] 指環
Ring
- [73] Harry Winston SA
Chemin du Tourbillon 8,
CH-1228 Plan-les-Ouates,
Switzerland
- [74] SPRUSON & FERGUSON (HONG KONG) LIMITED
5001 Hopewell Centre,
183 Queen's Road East,
Wan Chai, Hong Kong



[11] 2118070.2M003

[15] 27-05-2021

[30] 22-12-2020 / CA, AM, AZ, BZ, BA, GE, LI, MK, MD, MC, MN, ME, MA, NO, OM, SG, CH, TN, TR, UA, GB, EU, AL, KG / DM/211 920

[51] Cl. 11-01

[54] 指環
Ring

[73] Harry Winston SA
Chemin du Tourbillon 8,
CH-1228 Plan-les-Ouates,
Switzerland

[74] SPRUSON & FERGUSON (HONG KONG) LIMITED
5001 Hopewell Centre,
183 Queen's Road East,
Wan Chai, Hong Kong



[11] 2118070.2M004

[15] 27-05-2021

[30] 22-12-2020 / CA, AM, AZ, BZ, BA, GE, LI, MK, MD, MC, MN, ME, MA, NO, OM, SG, CH, TN, TR, UA, GB, EU, AL, KG / DM/211 920

[51] Cl. 11-01

[54] 指環
Ring

[73] Harry Winston SA
Chemin du Tourbillon 8,
CH-1228 Plan-les-Ouates,
Switzerland

[74] SPRUSON & FERGUSON (HONG KONG) LIMITED
5001 Hopewell Centre,
183 Queen's Road East,
Wan Chai, Hong Kong



[11] 2118070.2M005

[15] 27-05-2021

[30] 22-12-2020 / CA, AM, AZ, BZ, BA, GE, LI, MK, MD, MC, MN, ME, MA, NO, OM, SG, CH, TN, TR, UA, GB, EU, AL, KG / DM/211 920

[51] Cl. 11-01

[54] 指環
Ring

[73] Harry Winston SA
Chemin du Tourbillon 8,
CH-1228 Plan-les-Ouates,
Switzerland

[74] SPRUSON & FERGUSON (HONG KONG) LIMITED
5001 Hopewell Centre,
183 Queen's Road East,
Wan Chai, Hong Kong



[11] 2118070.2M006

[15] 27-05-2021

[30] 22-12-2020 / CA, AM, AZ, BZ, BA, GE, LI, MK, MD, MC, MN, ME, MA, NO, OM, SG, CH, TN, TR, UA, GB, EU, AL, KG / DM/211 920

[51] Cl. 11-01

[54] 指環
Ring

[73] Harry Winston SA
Chemin du Tourbillon 8,
CH-1228 Plan-les-Ouates,
Switzerland

[74] SPRUSON & FERGUSON (HONG KONG) LIMITED
5001 Hopewell Centre,
183 Queen's Road East,
Wan Chai, Hong Kong



[11] 2118070.2M007

[15] 27-05-2021

[30] 22-12-2020 / CA, AM, AZ, BZ, BA, GE, LI, MK, MD, MC, MN, ME, MA, NO, OM, SG, CH, TN, TR, UA, GB, EU, AL, KG / DM/211 920

[51] Cl. 11-01

[54] 項鍊

Necklace

[73] Harry Winston SA

Chemin du Tourbillon 8,
CH-1228 Plan-les-Ouates,
Switzerland

[74] SPRUSON & FERGUSON (HONG KONG) LIMITED

5001 Hopewell Centre,
183 Queen's Road East,
Wan Chai, Hong Kong



[11] 2118070.2M008

[15] 27-05-2021

[30] 22-12-2020 / CA, AM, AZ, BZ, BA, GE, LI, MK, MD, MC, MN, ME,
MA, NO, OM, SG, CH, TN, TR, UA, GB, EU, AL, KG / DM/211 920

[51] Cl. 11-01

[54] 耳環

Earrings

[73] Harry Winston SA

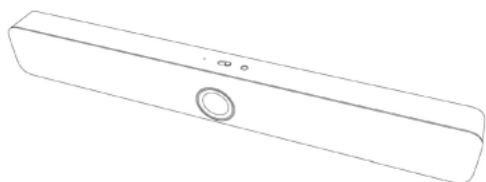
Chemin du Tourbillon 8,
CH-1228 Plan-les-Ouates,
Switzerland

[74] SPRUSON & FERGUSON (HONG KONG) LIMITED

5001 Hopewell Centre,
183 Queen's Road East,
Wan Chai, Hong Kong



-
- [11] 2118072.6
[15] 27-05-2021
[30] 30-11-2020 / CN / 202030730973.7
[51] Cl. 14-01
[54] 音頻-視頻會議設備
Audio-video conferencing device
[73] 北京小米移動軟件有限公司
BEIJING XIAOMI MOBILE SOFTWARE CO., LTD.
中國內地
北京市海澱區西二旗中路
33 號院 6 號樓 8 層 018 號
[74] 香港派特恩知識產權代理有限公司
香港上環
永樂街 121-125 號
永達商業大廈 10 樓 C 室



-
- [11] 2118073.8
[15] 28-05-2021
[30] 30-11-2020 / EU / 008304539-0009
[51] Cl. 23-06

[54] 衛生配件

Sanitary fitting

[73] Dornbracht AG & Co. KG

Köbbingser Mühle 6,
58640 Iserlohn,
Germany

[74] WILKINSON & GRIST

6th Floor, Prince's Building,
Chater Road,
Hong Kong



[11] 2118074.0

[15] 28-05-2021

[30] 30-11-2020 / EU / 008304539-0015

[51] Cl. 23-06

[54] 衛生配件

Sanitary fitting

[73] Dornbracht AG & Co. KG

Köbbingser Mühle 6,
58640 Iserlohn,
Germany

[74] WILKINSON & GRIST

6th Floor, Prince's Building,
Chater Road,
Hong Kong



[11] 2118075.3M001

[15] 28-05-2021

[30] 10-03-2021 / US / 29/773,622

[51] Cl. 2-04

[54] 具有鞋跟的鞋

Shoe with heel

[73] Gavrieli Brands LLC

269 S. Beverly Drive, Suite 1402,

Beverly Hills, CA 90212,

United States of America

[74] BAI RUI PATENT & TRADEMARK OFFICE LIMITED

Flat/Rm1502 Easey Commercial Building,

253-261 Hennessy Road,

Wan Chai, Hong Kong



[11] 2118075.3M002

[15] 28-05-2021

[30] 10-03-2021 / US / 29/773,622

[51] Cl. 2-04

[54] 具有鞋跟的鞋

Shoe with heel

[73] Gavrieli Brands LLC
269 S. Beverly Drive, Suite 1402,
Beverly Hills, CA 90212,
United States of America

[74] BAIRUI PATENT & TRADEMARK OFFICE LIMITED
Flat/Rm1502 Easey Commercial Building,
253-261 Hennessy Road,
Wan Chai, Hong Kong



[11] 2118078.9

[15] 28-05-2021

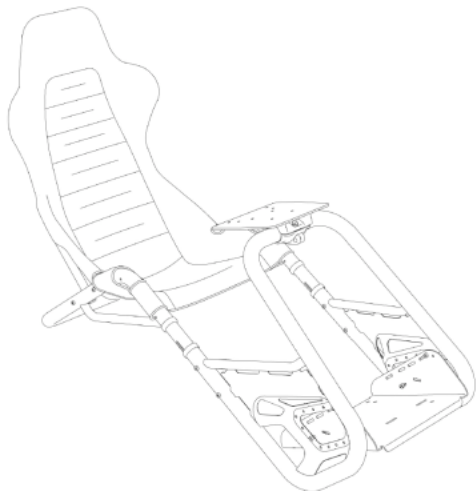
[30] 01-12-2020 / EU / 008302079-0001

[51] Cl. 21-01

[54] 遊戲模擬裝置
Gaming simulator

[73] F. Smit Holding B.V.
Innovatieweg 18,
7007 CD Doetinchem,
Netherlands

[74] NTD PATENT & TRADE MARK AGENCY LIMITED
Units 1805-6, 18/F., Greenfield Tower,
Concordia Plaza,
No. 1 Science Museum Road,
Tsimshatsui East, Kowloon, Hong Kong



[11] 2118079.1

[15] 28-05-2021

[30] 04-12-2020 / EU / 008309827-0001

[51] Cl. 14-03

[54] 無線遙控器

Wireless remote control

[73] SOMFY ACTIVITES SA

50 Avenue du Nouveau Monde,

74300 Cluses,

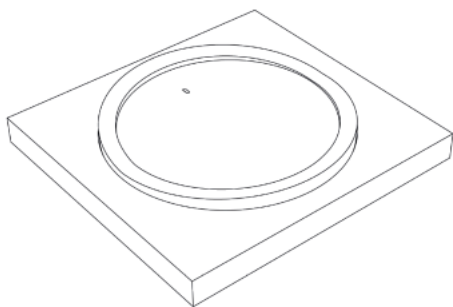
France

[74] WENPING PATENT & TRADE MARK AGENT LIMITED

1701 Tung Wai Commercial Building,

111 Gloucester Road,

Hong Kong



[11] 2118081.5

[15] 28-05-2021

[30] 12-03-2021 / CN / 202130135154.2

- [51] Cl. 28-03
- [54] 按摩器
Massager
- [73] 廖再興
中國內地
廣東省深圳市龍崗區回龍路 2 號
悅瀾山花園 1 座 8D
- [74] 港智國際知識產權代理有限公司
香港上環
德輔道中 272-284 號
興業商業中心 5 樓 505 室



-
- [11] 2118082.7M001
- [15] 31-05-2021
- [30] 10-12-2020 / BE, FR, DE, LU, NL, SG, ES, CH, IT, KR / DM/211
822
- [51] Cl. 16-06
- [54] 太陽眼鏡
Sunglasses
- [73] CHANEL
135 avenue Charles de Gaulle,
92200 Neuilly-sur-Seine,
France
- [74] WILKINSON & GRIST
6th Floor, Prince's Building,
Chater Road,
Hong Kong



[11] 2118082.7M002

[15] 31-05-2021

[30] 10-12-2020 / BE, FR, DE, LU, NL, SG, ES, CH, IT, KR / DM/211
822

[51] Cl. 16-06

[54] 太陽眼鏡
Sunglasses

[73] CHANEL
135 avenue Charles de Gaulle,
92200 Neuilly-sur-Seine,
France

[74] WILKINSON & GRIST
6th Floor, Prince's Building,
Chater Road,
Hong Kong



[11] 2118083.9

[15] 01-06-2021

[30] 27-01-2021 / CN / 202130060035.5

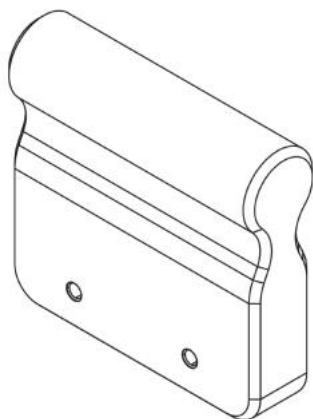
[51] Cl. 12-16

[54] 配重裝置
Counterweight device

[73] 深圳市道通科技股份有限公司
中國內地

廣東省深圳市南山區
南山智園 B1 棟 6、7、8、10 層

- [74] 百睿知識產權有限公司
香港新界
沙田香港科學園
科技大道西 10 號浚湖樓 617 室



-
- [11] 2118084.1
[15] 01-06-2021
[51] Cl. 10-02
[54] 手錶
Wrist watch
[73] Simone Sergio MAZZUCATO
Flat G, 21/F, Reason Group Tower,
403 Castle Peak Road,
Kwai Chung, Hong Kong
[74] Simone Sergio MAZZUCATO
Flat G, 21/F, Reason Group Tower,
403 Castle Peak Road,
Kwai Chung, Hong Kong



[11] 2118085.4

[15] 01-06-2021

[51] Cl. 10-02

[54] 手錶

Wrist watch

[73] Simone Sergio MAZZUCATO
Flat G, 21/F, Reason Group Tower,
403 Castle Peak Road,
Kwai Chung, Hong Kong

[74] Simone Sergio MAZZUCATO
Flat G, 21/F, Reason Group Tower,
403 Castle Peak Road,
Kwai Chung, Hong Kong



[11] 2118086.6M001

- [15] 01-06-2021
- [30] 28-12-2020 / CA, AM, AZ, BZ, BA, GE, LI, MK, MD, MC, MN, ME, MA, NO, OM, SG, CH, TN, TR, UA, GB, EU, AL, KG / DM/212 043
- [51] Cl. 11-01
- [54] 指環
Ring
- [73] Harry Winston SA
Chemin du Tourbillon 8,
CH-1228 Plan-les-Ouates,
Switzerland
- [74] SPRUSON & FERGUSON (HONG KONG) LIMITED
5001 Hopewell Centre,
183 Queen's Road East,
Wan Chai, Hong Kong



-
- [11] 2118086.6M002
- [15] 01-06-2021
- [30] 28-12-2020 / CA, AM, AZ, BZ, BA, GE, LI, MK, MD, MC, MN, ME, MA, NO, OM, SG, CH, TN, TR, UA, GB, EU, AL, KG / DM/212 043
- [51] Cl. 11-01
- [54] 手鐲
Bracelet
- [73] Harry Winston SA
Chemin du Tourbillon 8,
CH-1228 Plan-les-Ouates,
Switzerland
- [74] SPRUSON & FERGUSON (HONG KONG) LIMITED
5001 Hopewell Centre,
183 Queen's Road East,
Wan Chai, Hong Kong



-
- [11] 2118086.6M003
 - [15] 01-06-2021
 - [30] 28-12-2020 / CA, AM, AZ, BZ, BA, GE, LI, MK, MD, MC, MN, ME, MA, NO, OM, SG, CH, TN, TR, UA, GB, EU, AL, KG / DM/212 043
 - [51] Cl. 11-01
 - [54] 耳環
Earrings
 - [73] Harry Winston SA
Chemin du Tourbillon 8,
CH-1228 Plan-les-Ouates,
Switzerland
 - [74] SPRUSON & FERGUSON (HONG KONG) LIMITED
5001 Hopewell Centre,
183 Queen's Road East,
Wan Chai, Hong Kong



-
- [11] 2118086.6M004
 - [15] 01-06-2021
 - [30] 28-12-2020 / CA, AM, AZ, BZ, BA, GE, LI, MK, MD, MC, MN, ME, MA, NO, OM, SG, CH, TN, TR, UA, GB, EU, AL, KG / DM/212 043
 - [51] Cl. 11-01
 - [54] 指環
Ring
 - [73] Harry Winston SA
Chemin du Tourbillon 8,
CH-1228 Plan-les-Ouates,
Switzerland

[74] SPRUSON & FERGUSON (HONG KONG) LIMITED
5001 Hopewell Centre,
183 Queen's Road East,
Wan Chai, Hong Kong



[11] 2118086.6M005

[15] 01-06-2021

[30] 28-12-2020 / CA, AM, AZ, BZ, BA, GE, LI, MK, MD, MC, MN, ME,
MA, NO, OM, SG, CH, TN, TR, UA, GB, EU, AL, KG / DM/212 043

[51] Cl. 11-01

[54] 耳環

Earrings

[73] Harry Winston SA

Chemin du Tourbillon 8,
CH-1228 Plan-les-Ouates,
Switzerland

[74] SPRUSON & FERGUSON (HONG KONG) LIMITED

5001 Hopewell Centre,
183 Queen's Road East,
Wan Chai, Hong Kong



- [11] 2118086.6M006
- [15] 01-06-2021
- [30] 28-12-2020 / CA, AM, AZ, BZ, BA, GE, LI, MK, MD, MC, MN, ME, MA, NO, OM, SG, CH, TN, TR, UA, GB, EU, AL, KG / DM/212 043
- [51] Cl. 11-01
- [54] 耳環
Earrings
- [73] Harry Winston SA
Chemin du Tourbillon 8,
CH-1228 Plan-les-Ouates,
Switzerland
- [74] SPRUSON & FERGUSON (HONG KONG) LIMITED
5001 Hopewell Centre,
183 Queen's Road East,
Wan Chai, Hong Kong



-
- [11] 2118087.8
- [15] 01-06-2021
- [51] Cl. 12-16
- [54] 汽車頭蓋裝飾件
Head cover garnish for an automobile
- [73] 梁健輝
Leung Kin Fai
香港九龍
土瓜灣上鄉道 39-41 號
昌華工廠大廈 6 樓 C1 至 2 室
- [74] 卓遠知識產權有限公司
香港上環
禧利街 27 號
富輝商業中心 10 樓



[11] 2118088.0

[15] 01-06-2021

[51] Cl. 21-01

[54] 玩具板連接器部件

Toy plate connector component

[73] LEGO A/S

Aastvej 1,

7190 Billund,

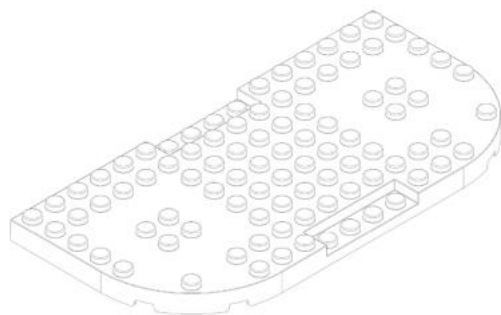
Denmark

[74] SIMONE INTELLECTUAL PROPERTY SERVICES ASIA LIMITED

25th Floor,

3 Lockhart Road,

Wanchai, Hong Kong



[11] 2118089.2

[15] 01-06-2021

[51] Cl. 21-01

[54] 玩具柱連接器部件

Toy column connector component

[73] LEGO A/S

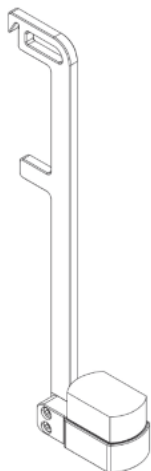
Aastvej 1,

7190 Billund,
Denmark

- [74] SIMONE INTELLECTUAL PROPERTY SERVICES ASIA LIMITED
25th Floor,
3 Lockhart Road,
Wanchai, Hong Kong



-
- [11] 2118090.4M001
[15] 01-06-2021
[30] 07-02-2021 / CN / 202130089764.3
[51] C1. 10-05
[54] 相機安裝校準工具
Calibration tool for mounting of camera
[73] 深圳市道通科技股份有限公司
中國內地
廣東省深圳市南山區
南山智園 B1 棟 6、7、8、10 層
[74] 百睿知識產權有限公司
香港新界
沙田香港科學園
科技大道西 10 號浚湖樓 617 室



[11] 2118090.4M002

[15] 01-06-2021

[30] 07-02-2021 / CN / 202130094779.9

[51] C1. 10-05

[54] 雷達安裝校準工具

Calibration tool for mounting of radar

[73] 深圳市道通科技股份有限公司

中國內地

廣東省深圳市南山區

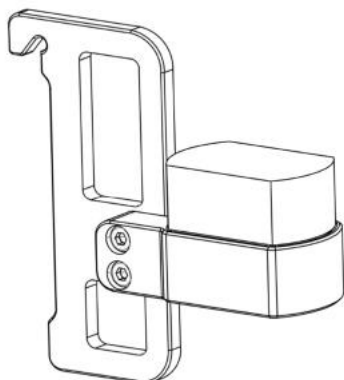
南山智園 B1 棟 6、7、8、10 層

[74] 百睿知識產權有限公司

香港新界

沙田香港科學園

科技大道西 10 號浚湖樓 617 室



[11] 2118092.8M001

[15] 02-06-2021

[51] Cl. 9-01

[54] 化粧品用瓶

Jar for cosmetics

[73] Shiseido Company, Limited

5-5, Ginza 7-chome,

Chuo-ku, Tokyo 104-0061,

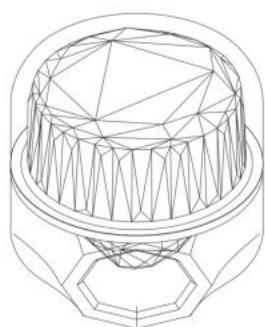
Japan

[74] MARKS & CLERK

Level 9, Cyberport 1,

100 Cyberport Road,

Pok Fu Lam, Hong Kong



[11] 2118092.8M002

[15] 02-06-2021

[51] Cl. 9-03

[54] 化粧瓶用盤

Tray for cosmetic jar

[73] Shiseido Company, Limited

5-5, Ginza 7-chome,

Chuo-ku, Tokyo 104-0061,

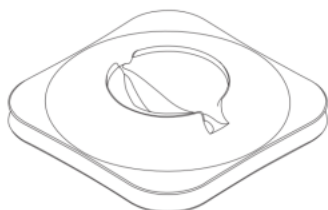
Japan

[74] MARKS & CLERK

Level 9, Cyberport 1,

100 Cyberport Road,

Pok Fu Lam, Hong Kong



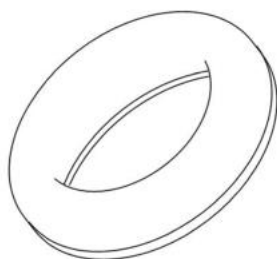
- [11] 2118093.0M001
- [15] 02-06-2021
- [30] 24-02-2021 / AM, AZ, BZ, BA, GE, LI, MK, MD, MC, MN, ME, MA,
NO, OM, SG, CH, TN, TR, UA, GB, EU, AL, KG / DM/212 976
- [51] Cl. 10-07
- [54] 錶面
Dial
- [73] MONTRES JAQUET DROZ SA (MONTRES JAQUET DROZ AG) (MONTRES
JAQUET DROZ LTD.)
Allée du Tourbillon 2,
CH-2300 La Chaux-de-Fonds,
Switzerland
- [74] SPRUSON & FERGUSON (HONG KONG) LIMITED
5001 Hopewell Centre,
183 Queen's Road East,
Wan Chai, Hong Kong



-
- [11] 2118093.0M002
- [15] 02-06-2021
- [30] 24-02-2021 / AM, AZ, BZ, BA, GE, LI, MK, MD, MC, MN, ME, MA,
NO, OM, SG, CH, TN, TR, UA, GB, EU, AL, KG / DM/212 976
- [51] Cl. 10-07
- [54] 錶面
Dial
- [73] MONTRES JAQUET DROZ SA (MONTRES JAQUET DROZ AG) (MONTRES
JAQUET DROZ LTD.)
Allée du Tourbillon 2,
CH-2300 La Chaux-de-Fonds,
Switzerland
- [74] SPRUSON & FERGUSON (HONG KONG) LIMITED
5001 Hopewell Centre,
183 Queen's Road East,
Wan Chai, Hong Kong



-
- [11] 2118094.2
[15] 02-06-2021
[30] 30-12-2020 / SG, US, EU, JP, KR / DM/212 173
[51] Cl. 14-01
[54] 耳機墊套
Headphone cushion cover
[73] 橫田修司
YOKOTA, SHUJI
Sakura-shi, Kamiakutu 1751-A,
Tochigi Prefecture,
Japan
[74] PANAWELL (HONG KONG) LIMITED
Unit C, 19/F., Gold Union Comm. Bldg.,
70-72 Connaught Rd West, Western,
Hong Kong



-
- [11] 2118095.5M001
[15] 02-06-2021
[30] 03-12-2020 / JP / 026075 of 2020
[51] Cl. 29-02

[54] 面罩

Face mask

[73] Iris Ohyama Inc.

2-12-1, Itsutsubashi, Aoba-ku,
Sendai-shi, Miyagi, 980-8510,
Japan

[74] EMILY YIP & CO LIMITED

1st Floor, Kingsfield Centre,
18 Shell Street,
Fortress Hill, Hong Kong



[11] 2118095.5M002

[15] 02-06-2021

[30] 18-01-2021 / JP / 000847 of 2021

[51] Cl. 29-02

[54] 面罩主體

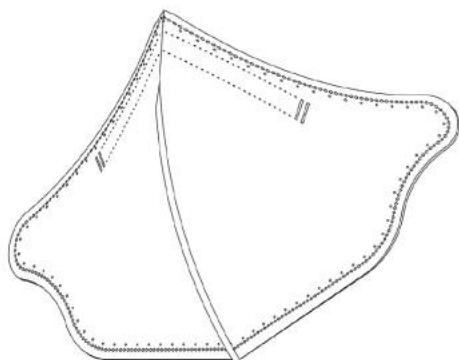
Face mask body

[73] Iris Ohyama Inc.

2-12-1, Itsutsubashi, Aoba-ku,
Sendai-shi, Miyagi, 980-8510,
Japan

[74] EMILY YIP & CO LIMITED

1st Floor, Kingsfield Centre,
18 Shell Street,
Fortress Hill, Hong Kong



[11] 2118097.9

[15] 03-06-2021

[51] Cl. 9-03

[54] 包裝盒

Packing box

[73] 維多利亞（香港）多元醫療技術有限公司

Victoria (Hong Kong) 3D Medical Technology Company Limited

香港新界

荃灣白田壩街 23-39 號

長豐工業大廈 18 樓 1805 室

[74] 維多利亞（香港）多元醫療技術有限公司

香港新界

荃灣白田壩街 23-39 號

長豐工業大廈 18 樓 1805 室



[11] 2118098.1

[15] 03-06-2021

[51] Cl. 9-03

[54] 包裝盒

Packing box

[73] 歐美藥業集團有限公司

香港新界

粉嶺業豐街 13 號

多利工業大廈 4 樓 F 室

[74] 歐美藥業集團有限公司

香港新界

粉嶺業豐街 13 號
多利工業大廈 4 樓 F 室





香港特別行政區政府知識產權署外觀設計註冊處

The Government of the Hong Kong Special Administrative Region

Designs Registry, Intellectual Property Department

根據註冊外觀設計條例第 28 條，下列註冊外觀設計因未繳續期費而停止有效。

各組記項按註冊外觀設計停止有效日期及註冊編號先後次序排列。

Registered designs ceased through non-payment of renewal fees under section 28 of the Registered Designs Ordinance. Entries are listed below under their expiry dates.

23-04-2021 - 28-04-2021

23-04-2021	1600787.6M001	1600796.5
0601036.3	1600787.6M002	1600799.1M001
0601037.5M001	1600787.6M003	1600799.1M002
0601038.7	1600787.6M004	1600799.1M003
0601039.9	1600787.6M005	1600800.5M001
	1600787.6M006	1600800.5M002
24-04-2021	1600787.6M007	1600800.5M003
1600765.0	1600787.6M008	1600800.5M004
	1600787.6M009	1600800.5M005
25-04-2021	1600787.6M010	1600800.5M006
1100701.0	1600787.6M011	1600800.5M007
1100707.3		1600800.5M008
1600768.6	27-04-2021	1600801.7M001
1600770.0M002	0601133.8	1600801.7M002
1600771.2	1100727.5M001	1600801.7M003
1600776.3	1100727.5M002	1600801.7M004
1600777.5	1100727.5M003	
1600780.1	1100727.5M004	28-04-2021
	1600788.8	0601156.7
26-04-2021	1600789.0M001	1100730.1
0110625.9	1600789.0M002	1100732.5
0601117.5	1600789.0M003	1600816.9M001
1100709.7	1600789.0M004	1600816.9M002
1100716.2M008	1600789.0M005	1600816.9M003
1100716.2M009	1600789.0M006	1600816.9M004
1100716.2M010	1600789.0M007	1600816.9M005
1100716.2M016	1600789.0M008	1600816.9M006
1100716.2M017	1600789.0M009	1600816.9M007
1100716.2M018	1600792.6M001	1600816.9M008
1100717.4	1600792.6M002	1600819.5
1600782.5M001	1600792.6M003	1600820.7
1600782.5M002	1600792.6M004	1600821.9
1600783.7	1600793.8	
1600786.4	1600794.0	



香港特別行政區政府知識產權署外觀設計註冊處

The Government of the Hong Kong Special Administrative Region

Designs Registry, Intellectual Property Department

根據註冊外觀設計規則第 31 條刪除的註冊外觀設計。各組記項按註冊外觀設計刪除日期及註冊編號先後次序排列。

Registered designs removed under section 31 of the Registered Designs Rules. Entries are listed below under their removal dates.

25-06-2021 - 01-07-2021

25-06-2021	0011562.4M008	1502343.5M008
1502266.2	0502607.5M003	1502344.7
1502307.0M001	0502607.5M004	1502345.0M001
1502307.0M002	0502607.5M005	
1502310.6M001	0502607.5M006	
1502310.6M002	1001968.5	
1502312.0	1502329.6	
1502313.2	1502331.0	
1502314.4	1502332.2M001	
	1502332.2M002	

27-06-2021	1502332.2M003	
0502591.9	1502333.4M001	
1001949.5	1502333.4M002	
1001950.7M002	1502334.6	
	1502335.9	

28-06-2021	1502336.1	
1001960.8M002	1502337.3	
1001961.0		

1502317.1		
1502318.3		
1502327.2		
1502328.4M001		
1502328.4M002		
1502328.4M003		
1502328.4M004		

29-06-2021	1502342.3M003	
0011562.4M001	1502343.5M001	
0011562.4M002	1502343.5M002	
0011562.4M003	1502343.5M003	
0011562.4M004	1502343.5M004	
0011562.4M005	1502343.5M005	
0011562.4M006	1502343.5M006	
0011562.4M007	1502343.5M007	

01-07-2021

1001989.9M001
1001989.9M002
1001999.0

30-06-2021

0502630.3
1001987.5M001
1001987.5M002
1001987.5M003
1502341.1
1502342.3M001
1502342.3M002



香港特別行政區政府知識產權署外觀設計註冊處

The Government of the Hong Kong Special Administrative Region

Designs Registry, Intellectual Property Department

根據註冊外觀設計條例第 76 條，更正已提交文件中的錯誤

Correction of errors in filed documents under section 76 of the Registered Designs Ordinance

下列在 16.04.2021 官方公報刊登的更正錯誤的請求已在 17.06.2021 獲准許

The following request for correction of error advertised in the official journal on 16.04.2021 was allowed on 17.06.2021

[21] 2017353.0M001

[55] Representations of the design