

# 香港知識產權公報

Hong Kong Intellectual Property Journal

2019 年 8 月 16 日

16 August 2019

## 目錄

### Contents

**根據註冊外觀設計條例第 25 條註冊的外觀設計**

**Designs Registered under section 25 of the Registered Designs Ordinance**

[按註冊編號排列](#)

[Arranged by Registration Number](#)

**根據註冊外觀設計條例(第 522 章)公布的其他公告**

**Other Notices Published under the Registered Designs Ordinance (Cap. 522)**

[根據註冊外觀設計條例第 28 條, 註冊外觀設計因未繳續期費而停止有效](#)

[Registered designs ceased through non-payment of renewal fees under section 28 of the Registered Designs Ordinance](#)

[根據註冊外觀設計規則第 31 條刪除的註冊外觀設計](#)

[Registered designs removed under section 31 of the Registered Designs Rules](#)

**以下事項沒有記錄**

**No Records for the Following Matters**

[根據註冊外觀設計條例第 30 條放棄的外觀設計的註冊](#)

[Surrender of Registration of Design under section 30 of the Registered Designs Ordinance](#)

[根據註冊外觀設計規則第 37 條, 向處長作出轉介](#)

[Reference to Registrar under section 37 of the Registered Designs Rules](#)

[根據註冊外觀設計條例第 45 條, 撤銷註冊](#)

[Revocation of Registration under section 45 of the Registered Designs Ordinance](#)

根據註冊外觀設計規則第 46 條，向法院作出轉介  
Reference to Court under section 46 of the Registered Designs Rules

根據註冊外觀設計規則第 63 條對不符合規定之處作出糾正  
Rectification of Irregularities under section 63 of the Registered Designs Rules

根據註冊外觀設計條例第 66 條，糾正註冊紀錄冊  
Rectification of Register under section 66 of the Registered Designs Ordinance

根據註冊外觀設計條例第 67 條，更正註冊紀錄冊內的錯誤  
Correction of Errors in Register under section 67 of the Registered Designs Ordinance

根據註冊外觀設計條例第 67 及 76 條，更正註冊紀錄冊內及已提交文件中的錯誤  
Correction of Errors in Register and in Filed Documents under sections  
67 and 76 of the Registered Designs Ordinance

根據註冊外觀設計條例第 76 條，更正已提交文件中的錯誤  
Correction of Errors in Filed Documents under section 76 of the Registered Designs  
Ordinance

勘誤  
Corrigendum

## 註冊外觀設計公告註釋

### Notes on advertisements of registration of designs

方括號表示下列資料：

Square brackets indicate the following data：

[11] 註冊編號 Registration number / 聯合王國註冊編號 United Kingdom registration number

[15] 註冊日期 Registration date / 當作註冊日期 Deemed registration date / 聯合王國註冊日期 United Kingdom registration date

[17] 註冊有效期屆滿日期 Expiry date of the period of registration

[22] 提交日期 Filing date / 當作提交日期 Deemed filing date / 聯合王國提交日期 United Kingdom filing date

[30] 聲稱享有的優先權 (提交日期 / 巴黎公約國或世界貿易組織成員 / 申請編號) Priority claimed (filing date / Paris Convention country or WTO member / application number)

[51] 國際外觀設計分類號 (洛迦諾分類號) International Classification of designs (Locarno Classification)

[54] 物品 Article

[55] 外觀設計的表述 Representation of the design

[62] 分開前的申請編號及提交日期 Application number before division and filing date

[66] 過往註冊的聯繫外觀設計註冊編號 / 日期 Registration No. / Date of Previous Registration for Association

[72] 設計人 Designer

[73] 擁有人姓名和地址 Name and address of the owner

[74] 代理人 Agent / 送達地址 Address for service



香港特別行政區政府知識產權署外觀設計註冊處

The Government of the Hong Kong Special Administrative Region

Designs Registry, Intellectual Property Department

## 根據註冊外觀設計條例第 25 條註冊的外觀設計

### Designs registered under section 25 of the Registered Designs Ordinance

按註冊編號排列

Arranged by Registration Number

[11] 1802140.8

[15] 31-10-2018

[30] 02-05-2018 / EM / 005255676-0001

[51] Cl. 28-03

[54] 化妝塗抹器

Make-up applicator

[73] Double Take Limited

Grenville Court, Britwell Road,  
Burnham Buckinghamshire SL1 8DF,  
REINO UNIDO

[74] So Keung Yip & Sin, Solicitors & Notaries, Agents for Trade  
Marks, Patents & Designs

1009-1012, 10/F, Nan Fung Tower,  
173 Des Voeux Road, Central,  
Hong Kong.



---

[11] 1802177.6

[15] 05-11-2018

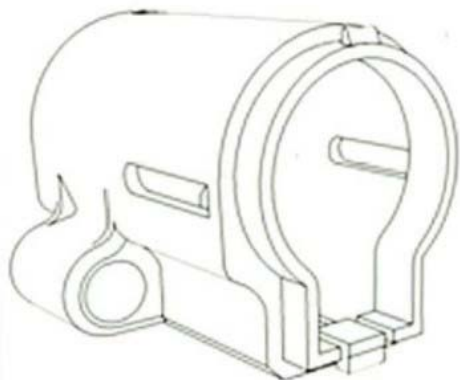
[51] Cl. 21-03

[54] 用於氣槍模型的電池擴展單元  
Battery extension unit for airsoft gun

[73] Airtech Studios Limited Hong Kong  
2302, 23F, New World, Tower 1  
18 Queens Road, Central,  
Hong Kong

Chang Wai Ho  
2302, 23F, New World, Tower 1  
18 Queens Road, Central,  
Hong Kong

[74] Airtech Studios Limited Hong Kong  
2302, 23F, New World, Tower 1  
18 Queens Road, Central,  
Hong Kong



---

[11] 1802273.9

[15] 22-11-2018

[51] Cl. 21-01

[54] 玩具智能機械臂  
Toy robotic arm

[73] COG Limited  
Unit 308-310, 3/F, Wing On Plaza,  
62 Mody Road, Tsim Sha Tsui, .  
Kowloon, Hong Kong

[74] Accolade IP Limited  
Room 702, 7/F.,  
Fu Fai Commercial Centre,  
27 Hillier Street, Hong Kong.



[11] 1802306.1

[15] 26-11-2018

[51] Cl. 11-02

[54] 皮革護身符

Leather amulet

[73] Tong Suzanne

香港新界荃灣 海

濱花園 16 座 10

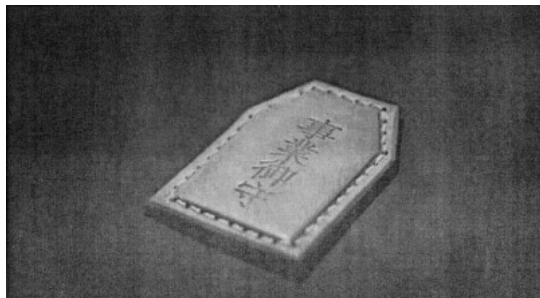
樓 A 室

[74] Tong Suzanne

香港新界荃灣 海

濱花園 16 座 10

樓 A 室



[11] 1900199.1

[15] 30-01-2019

[51] Cl. 7-02

[54] 煮食爐

Cooking stove

[73] 聯邦爐具(集團)有限公司

香港鰂魚涌

英皇道 997F 號 地下及

二樓

[74] 聯邦爐具(集團)有限公司

香港鰂魚涌



英皇道 997F 號 地下及  
二樓



---

[11] 1900214.4

[15] 31-01-2019

[51] Cl. 8-05

[54] 電鍍機

Electroplating machine

[73] 栢萊控股有限公司

香港新界葵涌

嘉定路 8 號 裕林第二工業大

廈 11 樓 B 室

[74] 江炳滔律師事務所

香港灣仔

告士打道 160 號 海外信託銀行大

廈 19 樓 B 室



---

[11] 1900217.1

[15] 31-01-2019

[51] Cl. 21-01

[54] 玩偶

Doll

[73] 日本國大館市

日本秋田縣 大館

市

字中城 20 番地

[74] 百睿知識產權有限公司

香港新界沙田香港科學園

科技大道西 10 號

浚湖樓 617 室



---

[11] 1913032.3

[15] 13-02-2019

[51] Cl. 31-00

[54] 攪拌容器的杯子

Cup for blender container

[73] 大宇(東莞)電器有限公司

TAI YU (DONG GUAN) ELECTRICAL CO. LTD.

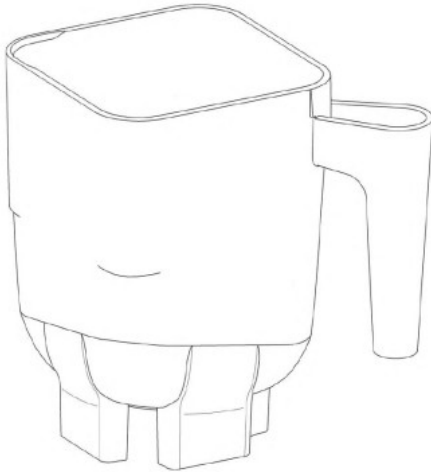
DONG XING INDUSTRIAL PARK (TA GANG), DONG KENG TOWN., DONG  
GUAN CITY,

GUANG DONG PROVINCE, P.R. CHINA

[74] JEAC I.P. AGENT COMPANY

Rm. 1522 Nan Fung Centre, 264-298 Castle Peak Road,

Tsuen Wan, N.T. Hong Kong.



---

[11] 1913080.4

[15] 25-02-2019

[30] 12-02-2019 / EU, CH, GB, TR / 970009826

[51] Cl. 12-08

[54] 汽車

Automobile

[73] Bugatti International S.A.

412F route d'Esch,

1030 Luxembourg

LUXEMBOURG

[74] WENPING & CO

1701 Tung Wai Commercial Building,

111 Gloucester Road,

HONG KONG



---

[11] 1913104.6

[15] 27-02-2019

[30] 13-09-2018 / EU, SG, CH / DM/102 897

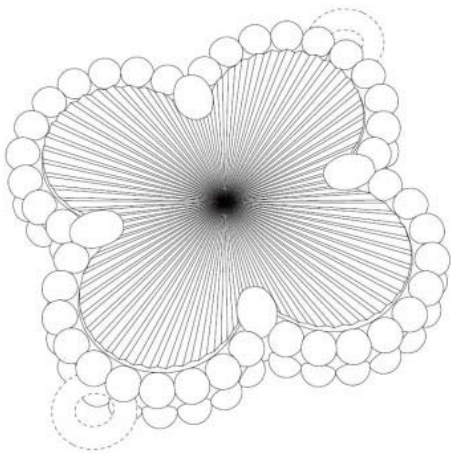
[51] Cl. 11-01

[54] 珠寶的裝飾元件

DECORATIVE ELEMENT FOR JEWELLERY

[73] VAN CLEEF & ARPELS SA  
Route des Biches 8  
1752 Villars-sur-Glâne  
SWITZERLAND

[74] WENPING & CO  
1701 Tung Wai Commercial Building,  
111 Gloucester Road,  
HONG KONG



---

[11] 1913106.1

[15] 28-02-2019

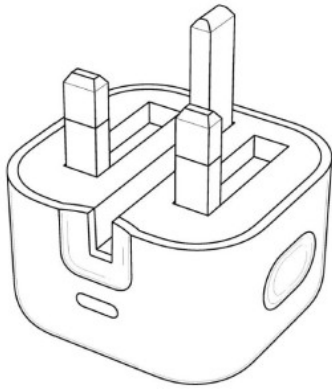
[30] 28-08-2018 / US / 29/661,504

[51] Cl. 13-03

[54] 轉換插頭  
Adapter

[73] 蘋果公司  
APPLE INC.  
ONE APPLE PARK WAY, CUPERTINO,  
CALIFORNIA 95014,  
UNITED STATES

[74] CLT PATENT & TRADEMARK (H.K.) LIMITED  
Unit 09, 34/F., Office Tower, Convention Plaza  
No. 1 Harbour Road, Wanchai Hong Kong  
HONG KONG



---

[11] 1913107.3

[15] 28-02-2019

[30] 05-09-2018 / US / 29/662,341

[51] Cl. 11-01

[54] 手鐲

Bracelet

[73] TALIA LUXURY GOODS LTD.

2 HAMENOFIM HERZLIYA 4672553,  
ISRAEL

[74] HONG KONG INTELLECTUAL PROPERTY AGENT LIMITED

Unit 230, 2/F, Building 12W, No. 12 Science Park West Avenue,  
Phase 3, Hong Kong Science Park, Pak Shek Kok, N.T.,  
HONG KONG



---

[11] 1913108.5M001

- [15] 28-02-2019
- [30] 30-08-2018 / US / 29/661,817
- [51] Cl. 14-04
- [54] 用於電子設備的圖形用戶界面  
Graphical user interface for electronic device
- [73] 蘋果公司  
APPLE INC.  
ONE APPLE PARK WAY, CUPERTINO  
CALIFORNIA 95014  
UNITED STATES
- [74] CLT PATENT & TRADEMARK (H.K.) LIMITED  
Unit 09, 34/F., Office Tower, Convention Plaza  
No. 1 Harbour Road, Wanchai  
HONG KONG



- 
- [11] 1913108.5M002
- [15] 28-02-2019
- [30] 30-08-2018 / US / 29/661,817
- [51] Cl. 14-04
- [54] 用於電子設備的圖形用戶界面  
Graphical user interface for electronic device
- [73] 蘋果公司  
APPLE INC.  
ONE APPLE PARK WAY, CUPERTINO  
CALIFORNIA 95014  
UNITED STATES
- [74] CLT PATENT & TRADEMARK (H.K.) LIMITED  
Unit 09, 34/F., Office Tower, Convention Plaza  
No. 1 Harbour Road, Wanchai  
HONG KONG



[11] 1913108.5M003

[15] 28-02-2019

[30] 30-08-2018 / US / 29/661,817

[51] Cl. 14-04

[54] 用於電子設備的圖形用戶界面

Graphical user interface for electronic device

[73] 蘋果公司

APPLE INC.

ONE APPLE PARK WAY, CUPERTINO

CALIFORNIA 95014

UNITED STATES

[74] CLT PATENT & TRADEMARK (H.K.) LIMITED

Unit 09, 34/F., Office Tower, Convention Plaza

No. 1 Harbour Road, Wanchai

HONG KONG



- [11] 1913108.5M004
- [15] 28-02-2019
- [30] 30-08-2018 / US / 29/661,817
- [51] Cl. 14-04
- [54] 用於電子設備的圖形用戶界面  
Graphical user interface for electronic device
- [73] 蘋果公司  
APPLE INC.  
ONE APPLE PARK WAY, CUPERTINO  
CALIFORNIA 95014  
UNITED STATES
- [74] CLT PATENT & TRADEMARK (H.K.) LIMITED  
Unit 09, 34/F., Office Tower, Convention Plaza  
No. 1 Harbour Road, Wanchai  
HONG KONG



- 
- [11] 1913108.5M005
- [15] 28-02-2019
- [30] 30-08-2018 / US / 29/661,817
- [51] Cl. 14-04
- [54] 用於電子設備的圖形用戶界面  
Graphical user interface for electronic device
- [73] 蘋果公司  
APPLE INC.  
ONE APPLE PARK WAY, CUPERTINO  
CALIFORNIA 95014  
UNITED STATES
- [74] CLT PATENT & TRADEMARK (H.K.) LIMITED  
Unit 09, 34/F., Office Tower, Convention Plaza  
No. 1 Harbour Road, Wanchai  
HONG KONG





[11] 1913108.5M006

[15] 28-02-2019

[30] 30-08-2018 / US / 29/661,817

[51] Cl. 14-04

[54] 用於電子設備的圖形用戶界面

Graphical user interface for electronic device

[73] 蘋果公司

APPLE INC.

ONE APPLE PARK WAY, CUPERTINO

CALIFORNIA 95014

UNITED STATES

[74] CLT PATENT & TRADEMARK (H.K.) LIMITED

Unit 09, 34/F., Office Tower, Convention Plaza

No. 1 Harbour Road, Wanchai

HONG KONG



[11] 1913108.5M007

- [15] 28-02-2019
- [30] 30-08-2018 / US / 29/661,817
- [51] Cl. 14-04
- [54] 用於電子設備的圖形用戶界面  
Graphical user interface for electronic device
- [73] 蘋果公司  
APPLE INC.  
ONE APPLE PARK WAY, CUPERTINO  
CALIFORNIA 95014  
UNITED STATES
- [74] CLT PATENT & TRADEMARK (H.K.) LIMITED  
Unit 09, 34/F., Office Tower, Convention Plaza  
No. 1 Harbour Road, Wanchai  
HONG KONG



- 
- [11] 1913108.5M008
- [15] 28-02-2019
- [30] 30-08-2018 / US / 29/661,817
- [51] Cl. 14-04
- [54] 用於電子設備的圖形用戶界面  
Graphical user interface for electronic device
- [73] 蘋果公司  
APPLE INC.  
ONE APPLE PARK WAY, CUPERTINO  
CALIFORNIA 95014  
UNITED STATES
- [74] CLT PATENT & TRADEMARK (H.K.) LIMITED  
Unit 09, 34/F., Office Tower, Convention Plaza  
No. 1 Harbour Road, Wanchai  
HONG KONG



---

[11] 1913119.8

[15] 01-03-2019

[51] Cl. 7-01

Cl. 7-02

[54] 具有彩色燈光的冷暖酒器

Cooler/warmer wine holder with color light

[73] 耀發電子有限公司

BRILLIANT RICH ELECTRONICS LIMITED

Flat I, 2/F Universal Industrial Centre

19-21 Shan Mei Street, Fo Tan, Sha Tin

HONG KONG

[74] WENPING & CO

1701 Tung Wai Commercial Building,

111 Gloucester Road,

HONG KONG



---

[11] 1913120.0

[15] 01-03-2019

[30] 04-09-2018 / EU, CH, US / DM/102 712

[51] Cl. 10-07

[54] 錶殼

Watch case

[73] Montblanc-Simplo GmbH

Hellgrundweg 100

22525 Hamburg

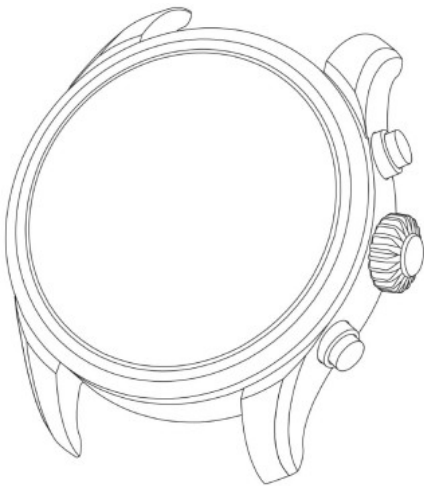
GERMANY

[74] WENPING & CO

1701 Tung Wai Commercial Building,

111 Gloucester Road,

HONG KONG





香港特別行政區政府知識產權署外觀設計註冊處

The Government of the Hong Kong Special Administrative Region

Designs Registry, Intellectual Property Department

**根據註冊外觀設計條例第28條，下列註冊外觀設計因未繳續期費而停止有效。各組記項按註冊外觀設計停止有效日期及註冊編號先後次序排列。**

**Registered designs ceased through non-payment of renewal fees under section 28 of the Registered Designs Ordinance. Entries are listed below under their expiry dates.**

**18-07-2019 - 24-07-2019**

<b>18-07-2019</b>	0901157.2M002	1401368.6M007
0411561.6	0901157.2M003	1401368.6M008
0411562.8	0901158.4M001	1401368.6M009
0411563.0	0901158.4M002	1401370.0
0411567.9	0901158.4M003	
0411571.7	0901158.4M004	
0411574.3	0901158.4M005	
	0901158.4M006	

<b>19-07-2019</b>	1401360.9	<b>23-07-2019</b>
0411582.0	1401361.1	0411626.5
0411586.9M001	1401362.3	1401371.2
0411586.9M002	1401365.0M001	1401372.4M001
0411586.9M003	1401366.2M002	1401372.4M002
0411586.9M004	9910924.9	1401376.3

<b>20-07-2019</b>	<b>22-07-2019</b>	
0901148.3M003	0411616.4	1401387.6
0901153.3	0411617.6	1401388.8
1401353.4	0411618.8	1401389.0
1401354.6	0411619.0	1401390.2
1401355.9M001	0411620.2	1401391.4
1401355.9M002	0411621.4	1401392.6
1401355.9M003	0411622.6	1401393.8
1401355.9M004	0901163.4	
1401355.9M005	0901164.6	
1401355.9M006	0901165.9M001	
1401355.9M007	0901165.9M002	
1401355.9M008	0901165.9M003	
1401358.5	1401368.6M001	
	1401368.6M002	

<b>21-07-2019</b>	1401368.6M003
0411605.1	1401368.6M004
0901155.8	1401368.6M005
0901157.2M001	1401368.6M006



香港特別行政區政府知識產權署外觀設計註冊處

The Government of the Hong Kong Special Administrative Region

Designs Registry, Intellectual Property Department

**根據註冊外觀設計規則第31條刪除的註冊外觀設計。各組記項按註冊外觀設計 刪除日期及註冊編號先後次序排列。**

**Registered designs removed under section 31 of the Registered Designs Rules. Entries are listed below under their removal dates.**

**26-07-2019 - 01-08-2019**

<b>26-07-2019</b>	1400120.0	1400128.7M002
0410169.3	1400121.2	1400129.9
0900098.5	1400122.4	1400131.3
0900099.7	1400123.6M001	1400135.2
0900101.3	1400123.6M002	1400136.4M001
	1400125.1M001	1400136.4M002

<b>27-07-2019</b>	1400125.1M002	
0410180.6	1400125.1M003	<b>31-07-2019</b>
1400102.2	1400125.1M004	1400137.6
1400103.4M001	1400125.1M005	1400139.0
1400103.4M002	1400125.1M006	1400140.2
1400104.6M001	1400125.1M007	1400141.4
1400104.6M002	1400125.1M008	1400142.6
1400104.6M003	1400125.1M009	1400143.8
1400104.6M004	1400125.1M010	1400144.0
1400105.9M001	1400125.1M011	1400145.3
1400105.9M002	1400125.1M012	1400146.5
	1400125.1M013	1400149.1

<b>28-07-2019</b>	1400125.1M014	1400150.3
1400109.7	1400125.1M015	1400151.5
1400111.1	1400125.1M016	1400152.7
1400112.3	1400125.1M017	1400153.9
1400113.5	1400125.1M018	1400154.1
1400117.4		1400155.4

	<b>30-07-2019</b>	1400156.6
	0900134.2	1400526.2

	0900136.7	
	0900139.3	<b>01-08-2019</b>
<b>29-07-2019</b>	1400127.5M001	9910095.0M001
0900120.3	1400127.5M002	9910095.0M002
0900121.5	1400127.5M003	
0900124.1M001	1400127.5M004	
0900124.1M002	1400127.5M005	
0900124.1M003	1400128.7M001	
0900124.1M004		
0900125.4M007		
0900125.4M008		