

香港知識產權公報

Hong Kong Intellectual Property Journal

2021年6月18日

18 June 2021

目錄 Contents

根據註冊外觀設計條例第 25 條註冊的外觀設計

Designs Registered under section 25 of the Registered Designs Ordinance

按註冊編號排列

Arranged by Registration Number

根據註冊外觀設計條例(第 522 章)公布的其他公告

Other Notices Published under the Registered Designs Ordinance (Cap. 522)

根據註冊外觀設計條例第 28 條，註冊外觀設計因未繳續期費而停止有效

Registered designs ceased through non-payment of renewal fees under section 28 of the Registered Designs Ordinance

根據註冊外觀設計規則第 31 條刪除的註冊外觀設計

Registered designs removed under section 31 of the Registered Designs Rules

根據註冊外觀設計條例第 76 條，更正已提交文件中的錯誤

Correction of errors in filed documents under section 76 of the Registered Designs Ordinance

以下事項沒有記錄

No Records for the Following Matters

根據註冊外觀設計條例第 30 條放棄的外觀設計的註冊

Surrender of Registration of Design under section 30 of the Registered Designs Ordinance

根據註冊外觀設計規則第 37 條，向處長作出轉介

Reference to Registrar under section 37 of the Registered Designs Rules

根據註冊外觀設計條例第 45 條，撤銷註冊

Revocation of Registration under section 45 of the Registered Designs Ordinance

根據註冊外觀設計規則第 46 條，向法院作出轉介

Reference to Court under section 46 of the Registered Designs Rules

根據註冊外觀設計規則第 63 條對不符合規定之處作出糾正

Rectification of Irregularities under section 63 of the Registered Designs Rules

根據註冊外觀設計條例第 66 條，糾正註冊紀錄冊

Rectification of Register under section 66 of the Registered Designs Ordinance

根據註冊外觀設計條例第 67 條 更正註冊紀錄冊內的錯誤

Correction of errors in Register under section 67 of the Registered Designs Ordinance

根據註冊外觀設計條例第 67 及 76 條，更正註冊紀錄冊內及已提交文件中的錯誤

Correction of Errors in Register and in Filed Documents under sections 67 and 76 of the Registered Designs Ordinance

勘誤

Corrigendum

註冊外觀設計公告註釋

Notes on advertisements of registration of designs

方括號表示下列資料：

Square brackets indicate the following data：

[11] 註冊編號 Registration number / 聯合王國註冊編號 United Kingdom registration number

[15] 註冊日期 Registration date / 當作註冊日期 Deemed registration date / 聯合王國註冊日期 United Kingdom registration date

[17] 註冊有效期屆滿日期 Expiry date of the period of registration

[22] 提交日期 Filing date / 當作提交日期 Deemed filing date / 聯合王國提交日期 United Kingdom filing date

[30] 聲稱享有的優先權（提交日期 / 巴黎公約國或世界貿易組織成員 / 申請編號） Priority claimed (filing date / Paris Convention country or WTO member / application number)

[51] 國際外觀設計分類號（洛迦諾分類號） International Classification of designs (Locarno Classification)

[54] 物品 Article

[55] 外觀設計的表述 Representation of the design

[62] 分開前的申請編號及提交日期 Application number before division and filing date

[66] 過往註冊的聯繫外觀設計註冊編號 / 日期 Registration No. / Date of Previous Registration for Association

[72] 設計人 Designer

[73] 擁有人姓名和地址 Name and address of the owner

[74] 代理人 Agent / 送達地址 Address for service



香港特別行政區政府知識產權署外觀設計註冊處

The Government of the Hong Kong Special Administrative Region

Designs Registry, Intellectual Property Department

根據註冊外觀設計條例第 25 條註冊的外觀設計

Designs registered under section 25 of the Registered Designs Ordinance

按註冊編號排列

Arranged by Registration Number

[11] 1802543.3

[15] 27-12-2018

[51] Cl. 9-03

[54] 包裝盒

Packing box

[73] 東阿阿膠股份有限公司

中國內地山東省

聊城市東阿縣

阿膠街 78 號

[74] 環球知識產權代理有限公司

香港九龍尖沙咀東

麼地道 62 號

永安廣場 12 樓 1213 室



[11] 2117394.7

[15] 08-01-2021

[51] Cl. 9-03

[54] 包裝盒

Packaging box

[73] LABORATOIRES THEA

12, rue Louis Blériot - Zone Industrielle du,

Brézet, 63100 CLERMONT-FERRAND,
France

- [74] DONG'S INTELLECTUAL PROPERTY SERVICE COMPANY LIMITED
Flat E, 37th Floor, Block 7, South Horizons,
Ap Lei Chau,
Hong Kong



[11] 2117395.0

[15] 08-01-2021

[51] Cl. 9-03

[54] 包裝盒

Packaging box

- [73] LABORATOIRES THEA
12, rue Louis Blériot - Zone Industrielle du,
Brézet, 63100 CLERMONT-FERRAND,
France

- [74] DONG'S INTELLECTUAL PROPERTY SERVICE COMPANY LIMITED
Flat E, 37th Floor, Block 7,
South Horizons, Ap Lei Chau,
Hong Kong



[11] 2117396.2

[15] 08-01-2021

[51] Cl. 9-03

[54] 包裝盒

Packaging box

[73] LABORATOIRES THEA
12, rue Louis Blériot - Zone Industrielle du,
Brézet, 63100 CLERMONT-FERRAND,
France

[74] DONG'S INTELLECTUAL PROPERTY SERVICE COMPANY LIMITED
Flat E, 37th Floor, Block 7, South Horizons,
Ap Lei Chau,
Hong Kong



[11] 2117397.4

[15] 08-01-2021

[51] Cl. 9-03

[54] 包裝盒

Packaging box

[73] LABORATOIRES THEA
12, rue Louis Blériot - Zone Industrielle du,
Brézet, 63100 CLERMONT-FERRAND,
France

[74] DONG'S INTELLECTUAL PROPERTY SERVICE COMPANY LIMITED
Flat E, 37th Floor, Block 7, South Horizons,
Ap Lei Chau,
Hong Kong



[11] 2117405.3

[15] 12-01-2021

[30] 14-07-2020 / DE / 40 2020 100 657.2

[51] Cl. 21-01

[54] 玩具或比例模型車

Toy or scale model vehicle

[73] Bayerische Motoren Werke Aktiengesellschaft

Petuelring 130,

80809 Muenchen,

Germany

[74] HASTINGS & CO

5/F Gloucester Tower, The Landmark,

11 Pedder Street,

Central, Hong Kong



[11] 2117807.6

[15] 06-04-2021

[30] 06-10-2020 / EU / 008196398

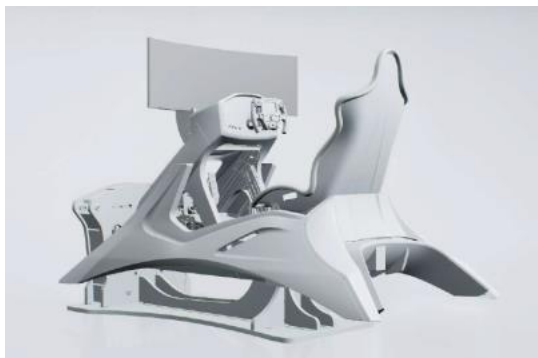
[51] Cl. 21-01

[54] 比賽和訓練用的賽車模擬器

Racing simulator for competitions and training

[73] 馬蒂&耐莉有限公司
MARTY & NELLY S.R.L.
Via Alexander Fleming, 4,
37036 San Martino Buon Albergo (Verona),
Italy

[74] BARRON & YOUNG INTELLECTUAL PROPERTY LIMITED
Suite 617, Lakeside 2,
No. 10 Science Park West Avenue,
Hong Kong Science Park, Shatin, N.T., Hong Kong



[11] 2117928.2

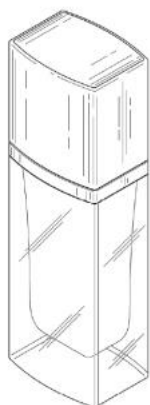
[15] 27-04-2021

[51] Cl. 9-01

[54] 化妝品瓶和蓋
Cosmetic bottle and cap

[73] ELC MANAGEMENT LLC
155 Pinelawn Road, Suite 345 South,
Melville, NY 11747,
United States

[74] CHINA PATENT AGENT (HONG KONG) LIMITED
22/F, Great Eagle Centre,
23 Harbour Road,
Wanchai, Hong Kong



[11] 2117930.6

[15] 28-04-2021

[51] Cl. 21-01

[54] 漢堡人形玩具

Hamburger shaped toy figure

[73] 宏繙有限公司

PIONEER SOURCING LIMITED

G/F, With Yard,

No.100 Nam Cheong Street,

Kowloon, Hong Kong

[74] HONG KONG INTELLECTUAL PROPERTY ADVISORY SERVICE LIMITED

Unit 1701, 17/F., Ew International Tower,

120 Texaco Road,

Tsuen Wan, New Territories, Hong Kong



[11] 2117931.8

- [15] 28-04-2021
- [30] 29-10-2020 / CN / 202030649777.7
- [51] Cl. 7-06
- [54] 竹吸管
Bamboo straw for drinking
- [73] 龍竹科技集團股份有限公司
Long Bamboo Technology Group Co.,Ltd.
中國內地
福建省南平市建陽區徐市鎮
龍泰園 1 號
- [74] BORSAM INTELLECTUAL PROPERTY LIMITED
香港九龍
旺角花園街 75-77 號
花園商業大廈 6 樓 605 室



-
- [11] 2117933.2M001
- [15] 28-04-2021
- [51] Cl. 2-04
- [54] 鞋底
Sole for footwear
- [73] Airwair International Limited
Cobb's Lane, Wollaston,
Wellingborough, Northamptonshire NN29 7SW,
United Kingdom
- [74] HOGAN LOVELLS
11th Floor, One Pacific Place,
88 Queensway,
Hong Kong



[11] 2117933.2M002

[15] 28-04-2021

[51] Cl. 2-04

[54] 用於鞋面的圖案

Pattern for footwear upper

[73] Airwair International Limited

Cobb's Lane, Wollaston,

Wellingborough, Northamptonshire NN29 7SW,

United Kingdom

[74] HOGAN LOVELLS

11th Floor, One Pacific Place,

88 Queensway,

Hong Kong



[11] 2117933.2M003

[15] 28-04-2021

[51] Cl. 2-04

[54] 用於鞋面的圖案

Pattern for footwear upper

[73] Airwair International Limited

Cobb's Lane, Wollaston,

Wellingborough, Northamptonshire NN29 7SW,
United Kingdom

[74] HOGAN LOVELLS
11th Floor, One Pacific Place,
88 Queensway,
Hong Kong



[11] 2117933.2M004

[15] 28-04-2021

[51] Cl. 2-04

[54] 用於鞋面的圖案
Pattern for footwear upper

[73] Airwair International Limited
Cobb's Lane, Wollaston,
Wellingborough, Northamptonshire NN29 7SW,
United Kingdom

[74] HOGAN LOVELLS
11th Floor, One Pacific Place,
88 Queensway,
Hong Kong



[11] 2117933.2M005

[15] 28-04-2021

[51] Cl. 2-04

[54] 用於鞋面的圖案

Pattern for footwear upper

[73] Airwair International Limited

Cobb's Lane, Wollaston,

Wellingborough, Northamptonshire NN29 7SW,

United Kingdom

[74] HOGAN LOVELLS

11th Floor, One Pacific Place,

88 Queensway,

Hong Kong



[11] 2117933.2M006

[15] 28-04-2021

[51] Cl. 2-04

[54] 用於鞋面的圖案

Pattern for footwear upper

[73] Airwair International Limited

Cobb's Lane, Wollaston,

Wellingborough, Northamptonshire NN29 7SW,

United Kingdom

[74] HOGAN LOVELLS

11th Floor, One Pacific Place,

88 Queensway,

Hong Kong



[11] 2117933.2M007

[15] 28-04-2021

[51] Cl. 2-04

[54] 用於鞋面的圖案

Pattern for footwear upper

[73] Airwair International Limited

Cobb's Lane, Wollaston,
Wellingborough, Northamptonshire NN29 7SW,
United Kingdom

[74] HOGAN LOVELLS

11th Floor, One Pacific Place,
88 Queensway,
Hong Kong



[11] 2117933.2M008

[15] 28-04-2021

[51] Cl. 2-04

[54] 用於鞋面的圖案

Pattern for footwear upper

[73] Airwair International Limited

Cobb's Lane, Wollaston,
Wellingborough, Northamptonshire NN29 7SW,
United Kingdom

[74] HOGAN LOVELLS

11th Floor, One Pacific Place,
88 Queensway,
Hong Kong



[11] 2117933.2M009

[15] 28-04-2021

[51] Cl. 2-04

[54] 鞋底

Sole for footwear

[73] Airwair International Limited

Cobb's Lane, Wollaston,
Wellingborough, Northamptonshire NN29 7SW,
United Kingdom

[74] HOGAN LOVELLS

11th Floor, One Pacific Place,
88 Queensway,
Hong Kong



[11] 2117934.4M001

[15] 28-04-2021

[30] 16-02-2021 / MA, SG, CH, TR, GB, EU / WIPO101915

[51] Cl. 10-07

[54] 錶面

Watch dial

[73] RICHEMONT INTERNATIONAL SA

Route des Biches 10,

CH - 1752 Villars-sur-Glâne,

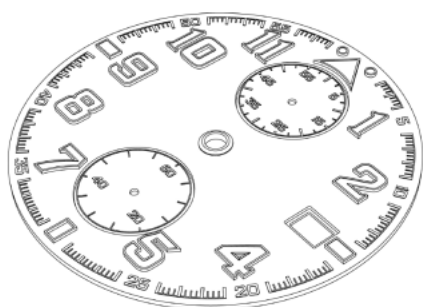
Switzerland

[74] UNION PATENT SERVICE CENTRE

Units E-F, 20th Floor, Neich Tower,

128 Gloucester Road,

Hong Kong



[11] 2117934.4M002

[15] 28-04-2021

[30] 16-02-2021 / MA, SG, CH, TR, GB, EU / WIPO101915

[51] Cl. 10-07

[54] 錶面

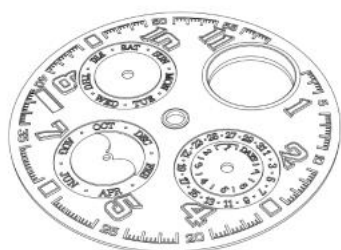
Watch dial

[73] RICHEMONT INTERNATIONAL SA

Route des Biches 10,
CH - 1752 Villars-sur-Glâne,
Switzerland

[74] UNION PATENT SERVICE CENTRE

Units E-F, 20th Floor, Neich Tower,
128 Gloucester Road,
Hong Kong



[11] 2117934.4M003

[15] 28-04-2021

[30] 16-02-2021 / MA, SG, CH, TR, GB, EU / WIPO101915

[51] Cl. 10-07

[54] 錶面

Watch dial

[73] RICHEMONT INTERNATIONAL SA

Route des Biches 10,
CH - 1752 Villars-sur-Glâne,
Switzerland

[74] UNION PATENT SERVICE CENTRE

Units E-F, 20th Floor, Neich Tower,
128 Gloucester Road,
Hong Kong



[11] 2117942.1M001

[15] 29-04-2021

[51] Cl. 6-07

[54] 帶燈的桌面鏡

Lighted table mirror

[73] Erik A. Kaiser

70 Little West Street, 22E,

New York, NY 10004,

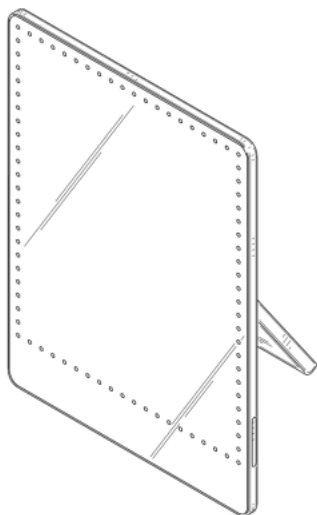
United States

[74] CHINAHONGKONG IP LIMITED

3011, 30/F, Office Tower, Convention Plaza,

1 Harbour Road,

Hong Kong



[11] 2117942.1M002

[15] 29-04-2021

[51] Cl. 6-07

[54] 剃鬚鏡

Shaving mirror

[73] Erik A. Kaiser

70 Little West Street, 22E,

New York, NY 10004,

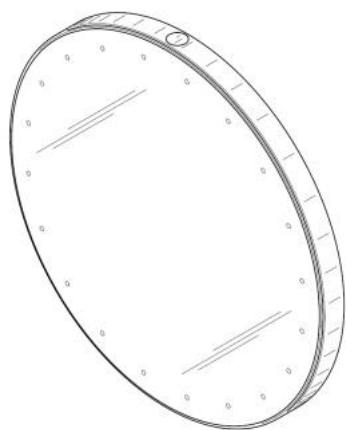
United States

[74] CHINAHONGKONG IP LIMITED

3011, 30/F, Office Tower, Convention Plaza,

1 Harbour Road,

Hong Kong



[11] 2117943.3

[15] 29-04-2021

[51] Cl. 26-05

[54] 可黏貼的條形燈

Stick on bar light

[73] Erik A. Kaiser

70 Little West Street, 22E,

New York, NY 10004,

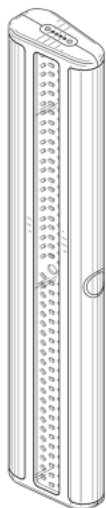
United States

[74] CHINAHONGKONG IP LIMITED

3011, 30/F, Office Tower, Convention Plaza,

1 Harbour Road,

Hong Kong



[11] 2117944.5M001

[15] 29-04-2021

[51] Cl. 11-01

[54] 飾物設計

Ornament design

[73] 六福集團有限公司

Luk Fook Holdings Company Limited
Floor 15, 20, 25 & 27, Metropole Square,
No.2 On Yiu Street,
Shatin, New Territories, Hong Kong

[74] Luk Fook Holdings Company Limited (Legal Affairs Department)

Floor 25, Metropole Square,
No.2 On Yiu Street,
Shatin, New Territories, Hong Kong



[11] 2117944.5M002

[15] 29-04-2021

[51] Cl. 11-01

[54] 飾物設計

Ornament design

[73] 六福集團有限公司

Luk Fook Holdings Company Limited

Floor 15, 20, 25 & 27, Metropole Square,

No.2 On Yiu Street,

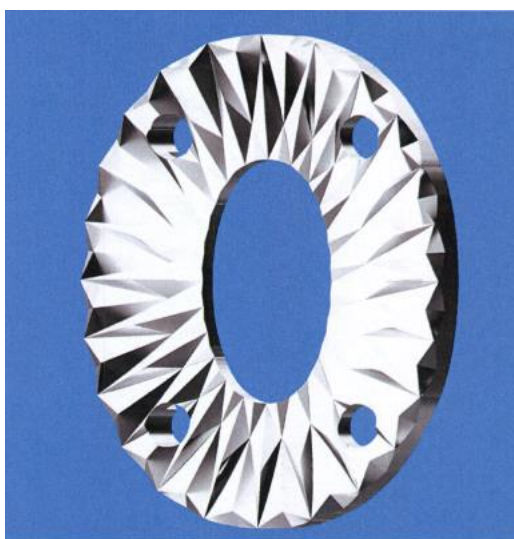
Shatin, New Territories, Hong Kong

[74] Luk Fook Holdings Company Limited (Legal Affairs Department)

Floor 25, Metropole Square,

No.2 On Yiu Street,

Shatin, New Territories, Hong Kong



[11] 2117944.5M003

[15] 29-04-2021

[51] Cl. 11-01

[54] 飾物設計

Ornament design

[73] 六福集團有限公司

Luk Fook Holdings Company Limited

Floor 15, 20, 25 & 27, Metropole Square,

No.2 On Yiu Street,

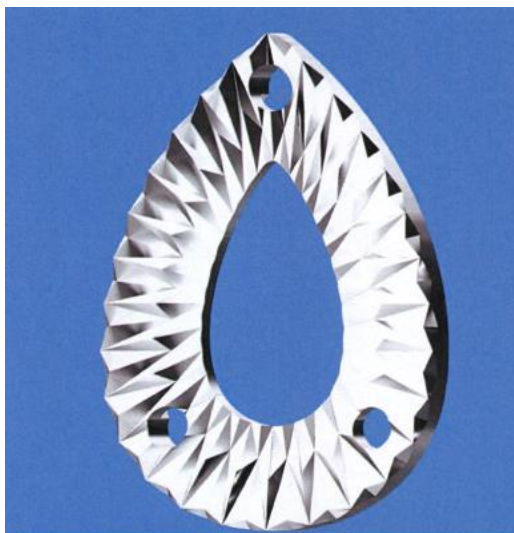
Shatin, New Territories, Hong Kong

[74] Luk Fook Holdings Company Limited (Legal Affairs Department)

Floor 25, Metropole Square,

No.2 On Yiu Street,

Shatin, New Territories, Hong Kong



[11] 2117945.8M001

[15] 29-04-2021

[30] 19-03-2021 / CN / 202130149584.X

[51] Cl. 14-06

[54] 無線充電支架

Wireless charging holder

[73] 廣東高普達集團股份有限公司

GUANGDONG GOPOD GROUP HOLDING CO., LTD

中國內地

廣東省深圳市龍華新區大浪街道同勝社區華榮路

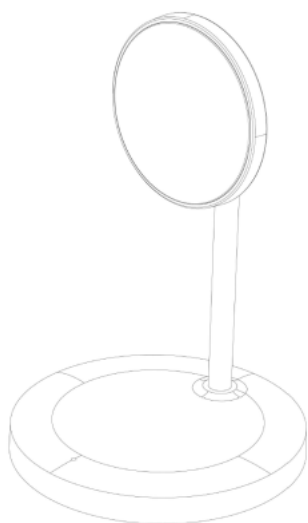
聯建科技工業園廠房 8 棟 4, 5, 6 樓

[74] 中一聯合國際知識產權有限公司

香港九龍

尖沙咀漆咸道南 45-51 號

其士大廈 803 室



[11] 2117945.8M002

[15] 29-04-2021

[30] 19-03-2021 / CN / 202130149584.X

[51] Cl. 14-06

[54] 無線充電支架

Wireless charging holder

[73] 廣東高普達集團股份有限公司

GUANGDONG GOPOD GROUP HOLDING CO., LTD

中國內地

廣東省深圳市龍華新區大浪街道同勝社區華榮路

聯建科技工業園廠房 8 棟 4, 5, 6 樓

[74] 中一聯合國際知識產權有限公司

香港九龍

尖沙咀漆咸道南 45-51 號

其士大廈 803 室



[11] 2117946.0

[15] 30-04-2021

[51] Cl. 9-01

[54] 玻璃瓶

Bottle

[73] 蔡瑤琦

Choy Yiu Ki

香港銅鑼灣

怡和街 28 號

恆生銅鑼灣大廈 12 樓

張樂茹

Cheung Lok Yu

香港灣仔

莊士敦道 2 號

文熙大廈 14G

[74] Juillet Garden Limited (經辦人 蔡瑤琦)

香港銅鑼灣

怡和街 28 號

恆生銅鑼灣大廈 12 樓



[11] 2117947.2

[15] 30-04-2021

[51] Cl. 21-01

[54] 玩具機械人

Toy robot

[73] 銀輝號有限公司

Silverlit Limited

Room 1704, World Trade Centre,

280 Gloucester Road,

Causeway Bay, Hong Kong

[74] Silverlit Limited

Room 1704, World Trade Centre,

280 Gloucester Road,

Causeway Bay, Hong Kong



[11] 2117948.4

[15] 30-04-2021

[51] Cl. 21-01

[54] 玩具鳥

Toy bird

[73] 銀輝號有限公司

Silverlit Limited

Room 1704, World Trade Centre,

280 Gloucester Road,

Causeway Bay, Hong Kong

[74] Silverlit Limited

Room 1704, World Trade Centre,

280 Gloucester Road,

Causeway Bay, Hong Kong



[11] 2117949.6

[15] 30-04-2021

[30] 19-03-2021 / CN / 202130149616.6

[51] Cl. 14-06

[54] 無線充電支架

Wireless charging holder

[73] 前海駿達（深圳）股權投資有限公司

QIANHAI JUNDA (SHENZHEN) EQUITY INVESTMENT CO., LTD.

中國內地

廣東省深圳市龍華新區大浪街道同勝社區華榮路

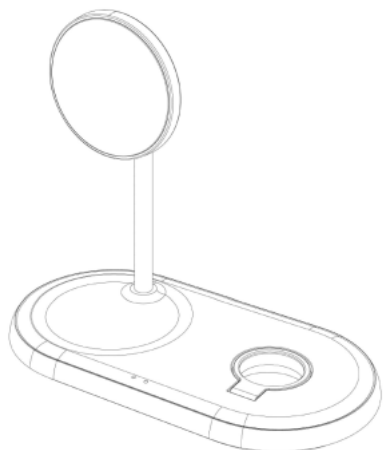
聯建科技工業園廠房 8 棟 4,5,6 樓

[74] 中一聯合國際知識產權有限公司

香港九龍

尖沙咀漆咸道南 45-51 號

其士大廈 803 室



[11] 2117951.0M001

[15] 30-04-2021

[30] 27-11-2020 / CA, AM, AZ, BZ, BA, GE, LI, MK, MD, MC, MN, ME,
MA, NO, OM, SG, CH, TN, TR, UA, GB, EU, AL, KG / DM/211 498

[51] Cl. 11-01

[54] 指環

Ring

[73] Harry Winston SA

Chemin du Tourbillon 8,

CH-1228 Plan-les-Ouates,

Switzerland

[74] SPRUSON & FERGUSON (HONG KONG) LIMITED

5001 Hopewell Centre,

183 Queen's Road East,

Wan Chai, Hong Kong



[11] 2117951.0M002

[15] 30-04-2021

[30] 27-11-2020 / CA, AM, AZ, BZ, BA, GE, LI, MK, MD, MC, MN, ME, MA, NO, OM, SG, CH, TN, TR, UA, GB, EU, AL, KG / DM/211 498

[51] Cl. 11-01

[54] 指環

Ring

[73] Harry Winston SA

Chemin du Tourbillon 8,
CH-1228 Plan-les-Ouates,
Switzerland

[74] SPRUSON & FERGUSON (HONG KONG) LIMITED

5001 Hopewell Centre,
183 Queen's Road East,
Wan Chai, Hong Kong



[11] 2117951.0M003

[15] 30-04-2021

[30] 27-11-2020 / CA, AM, AZ, BZ, BA, GE, LI, MK, MD, MC, MN, ME, MA, NO, OM, SG, CH, TN, TR, UA, GB, EU, AL, KG / DM/211 498

[51] Cl. 11-01

[54] 項鍊

Necklace

[73] Harry Winston SA

Chemin du Tourbillon 8,
CH-1228 Plan-les-Ouates,
Switzerland

[74] SPRUSON & FERGUSON (HONG KONG) LIMITED

5001 Hopewell Centre,
183 Queen's Road East,
Wan Chai, Hong Kong



[11] 2117951.0M004

[15] 30-04-2021

[30] 27-11-2020 / CA, AM, AZ, BZ, BA, GE, LI, MK, MD, MC, MN, ME,
MA, NO, OM, SG, CH, TN, TR, UA, GB, EU, AL, KG / DM/211 498

[51] Cl. 11-01

[54] 項鍊

Necklace

[73] Harry Winston SA

Chemin du Tourbillon 8,
CH-1228 Plan-les-Ouates,
Switzerland

[74] SPRUSON & FERGUSON (HONG KONG) LIMITED

5001 Hopewell Centre,
183 Queen's Road East,
Wan Chai, Hong Kong



[11] 2117951.0M005

[15] 30-04-2021

[30] 27-11-2020 / CA, AM, AZ, BZ, BA, GE, LI, MK, MD, MC, MN, ME, MA, NO, OM, SG, CH, TN, TR, UA, GB, EU, AL, KG / DM/211 498

[51] Cl. 11-01

[54] 指環

Ring

[73] Harry Winston SA

Chemin du Tourbillon 8,
CH-1228 Plan-les-Ouates,
Switzerland

[74] SPRUSON & FERGUSON (HONG KONG) LIMITED

5001 Hopewell Centre,
183 Queen's Road East,
Wan Chai, Hong Kong



[11] 2117951.0M006

[15] 30-04-2021

[30] 27-11-2020 / CA, AM, AZ, BZ, BA, GE, LI, MK, MD, MC, MN, ME, MA, NO, OM, SG, CH, TN, TR, UA, GB, EU, AL, KG / DM/211 498

[51] Cl. 11-01

[54] 耳環

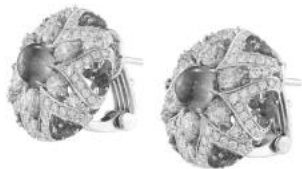
Earrings

[73] Harry Winston SA

Chemin du Tourbillon 8,

CH-1228 Plan-les-Ouates,
Switzerland

- [74] SPRUSON & FERGUSON (HONG KONG) LIMITED
5001 Hopewell Centre,
183 Queen's Road East,
Wan Chai, Hong Kong



-
- [11] 2117951.0M007
[15] 30-04-2021
[30] 27-11-2020 / CA, AM, AZ, BZ, BA, GE, LI, MK, MD, MC, MN, ME,
MA, NO, OM, SG, CH, TN, TR, UA, GB, EU, AL, KG / DM/211 498
[51] Cl. 11-01
[54] 項鍊
Necklace
[73] Harry Winston SA
Chemin du Tourbillon 8,
CH-1228 Plan-les-Ouates,
Switzerland
[74] SPRUSON & FERGUSON (HONG KONG) LIMITED
5001 Hopewell Centre,
183 Queen's Road East,
Wan Chai, Hong Kong



- [11] 2117951.0M008
- [15] 30-04-2021
- [30] 27-11-2020 / CA, AM, AZ, BZ, BA, GE, LI, MK, MD, MC, MN, ME, MA, NO, OM, SG, CH, TN, TR, UA, GB, EU, AL, KG / DM/211 498
- [51] Cl. 11-01
- [54] 指環
Ring
- [73] Harry Winston SA
Chemin du Tourbillon 8,
CH-1228 Plan-les-Ouates,
Switzerland
- [74] SPRUSON & FERGUSON (HONG KONG) LIMITED
5001 Hopewell Centre,
183 Queen's Road East,
Wan Chai, Hong Kong



-
- [11] 2117951.0M009
- [15] 30-04-2021
- [30] 27-11-2020 / CA, AM, AZ, BZ, BA, GE, LI, MK, MD, MC, MN, ME, MA, NO, OM, SG, CH, TN, TR, UA, GB, EU, AL, KG / DM/211 498
- [51] Cl. 11-01
- [54] 耳環
Earrings
- [73] Harry Winston SA
Chemin du Tourbillon 8,
CH-1228 Plan-les-Ouates,
Switzerland
- [74] SPRUSON & FERGUSON (HONG KONG) LIMITED
5001 Hopewell Centre,
183 Queen's Road East,
Wan Chai, Hong Kong



[11] 2117951.0M010

[15] 30-04-2021

[30] 27-11-2020 / CA, AM, AZ, BZ, BA, GE, LI, MK, MD, MC, MN, ME, MA, NO, OM, SG, CH, TN, TR, UA, GB, EU, AL, KG / DM/211 498

[51] Cl. 11-01

[54] 耳環

Earrings

[73] Harry Winston SA

Chemin du Tourbillon 8,
CH-1228 Plan-les-Ouates,
Switzerland

[74] SPRUSON & FERGUSON (HONG KONG) LIMITED

5001 Hopewell Centre,
183 Queen's Road East,
Wan Chai, Hong Kong



[11] 2117952.2M001

[15] 30-04-2021

[51] Cl. 6-07

[54] 帶燈的壁鏡

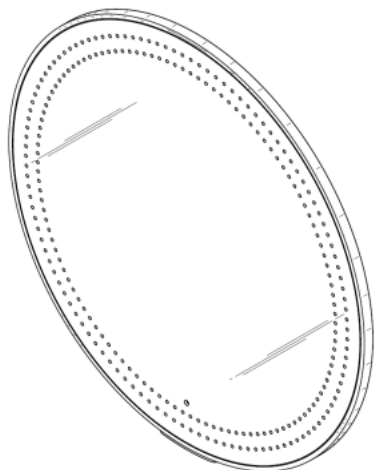
Lighted wall mirror

[73] Erik A. Kaiser

70 Little West Street, 22E,

New York, NY 10004,
United States

[74] CHINAHONGKONG IP LIMITED
3011, 30/F, Office Tower, Convention Plaza,
1 Harbour Road,
Hong Kong



[11] 2117952.2M002

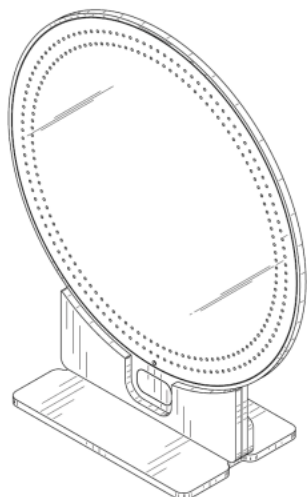
[15] 30-04-2021

[51] Cl. 6-07

[54] 帶燈的桌面鏡
Lighted table mirror

[73] Erik A. Kaiser
70 Little West Street, 22E,
New York, NY 10004,
United States

[74] CHINAHONGKONG IP LIMITED
3011, 30/F, Office Tower, Convention Plaza,
1 Harbour Road,
Hong Kong



[11] 2117953.4M001

[15] 03-05-2021

[30] 04-11-2020 / EU / 008247373

[51] Cl. 11-01

[54] 吊墜

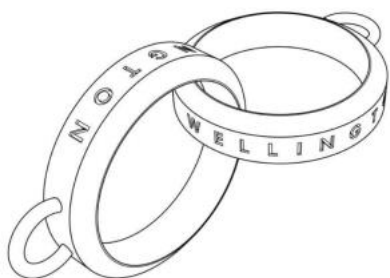
Pendant

[73] Daniel Wellington AB

Vasagatan 12,
111 20 Stockholm,
Sweden

[74] AWA ASIA LIMITED

Suite 1411, 14/F, Leighton Centre,
77 Leighton Road,
Causeway Bay, Hong Kong



[11] 2117953.4M002

[15] 03-05-2021

[30] 04-11-2020 / EU / 008247373

[51] Cl. 11-01

[54] 吊墜

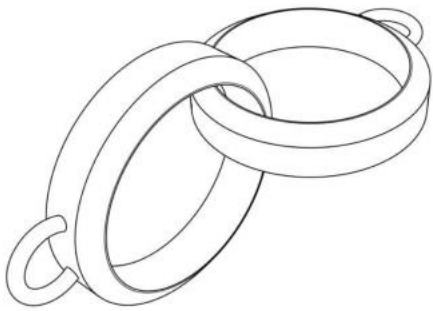
Pendant

[73] Daniel Wellington AB

Vasagatan 12,
111 20 Stockholm,
Sweden

[74] AWA ASIA LIMITED

Suite 1411, 14/F, Leighton Centre,
77 Leighton Road,
Causeway Bay, Hong Kong



[11] 2117953.4M003

[15] 03-05-2021

[30] 04-11-2020 / EU / 008247373

[51] Cl. 11-01

[54] 手鐲

Bracelet

[73] Daniel Wellington AB

Vasagatan 12,
111 20 Stockholm,
Sweden

[74] AWA ASIA LIMITED

Suite 1411, 14/F, Leighton Centre,
77 Leighton Road,
Causeway Bay, Hong Kong



[11] 2117953.4M004

[15] 03-05-2021

[30] 04-11-2020 / EU / 008247373

[51] Cl. 11-01

[54] 項鍊

Necklace

[73] Daniel Wellington AB

Vasagatan 12,
111 20 Stockholm,
Sweden

[74] AWA ASIA LIMITED

Suite 1411, 14/F, Leighton Centre,
77 Leighton Road,
Causeway Bay, Hong Kong



[11] 2117953.4M005

[15] 03-05-2021

[30] 04-11-2020 / EU / 008247373

[51] Cl. 11-01

[54] 手鐲

Bracelet

[73] Daniel Wellington AB

Vasagatan 12,
111 20 Stockholm,
Sweden

[74] AWA ASIA LIMITED

Suite 1411, 14/F, Leighton Centre,
77 Leighton Road,
Causeway Bay, Hong Kong



[11] 2117953.4M006

[15] 03-05-2021

[30] 04-11-2020 / EU / 008247373

[51] Cl. 11-01

[54] 項鍊

Necklace

[73] Daniel Wellington AB

Vasagatan 12,
111 20 Stockholm,
Sweden

[74] AWA ASIA LIMITED

Suite 1411, 14/F, Leighton Centre,
77 Leighton Road,
Causeway Bay, Hong Kong



[11] 2117955.9

[15] 04-05-2021

[51] Cl. 16-06

[54] 太陽眼鏡

Sunglasses

[73] CHRISTIAN DIOR COUTURE

30 Avenue Montaigne,

75008 Paris,

France

[74] WILKINSON & GRIST

6th Floor, Prince's Building,

Chater Road,

Hong Kong



[11] 2117956.1M001

[15] 04-05-2021

[51] Cl. 25-01

[54] 鋼筋保護套

Steel bar protection cap

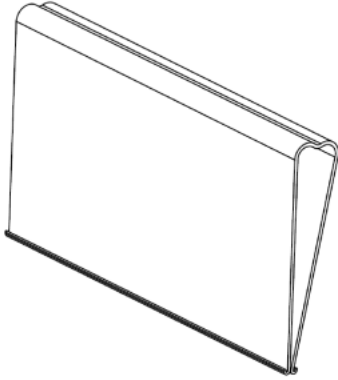
[73] 金威電器五金有限公司

KAM WAI ELECTRICAL & METALWARES LIMITED

Room 7, 30/F., Tao Nga House,

Hong Nga Court,
189 Pik Wan Road,
Lam Tin, Kowloon, Hong Kong

- [74] HONG KONG INTELLECTUAL PROPERTY ADVISORY SERVICE LIMITED
Unit 1701, 17/F., Ew International Tower,
120 Texaco Road,
Tsuen Wan, New Territories, Hong Kong



[11] 2117956.1M002

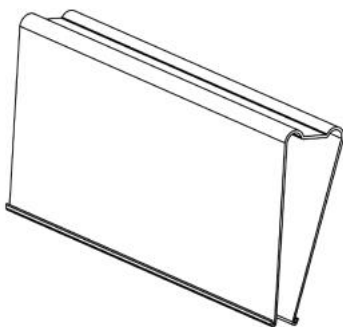
[15] 04-05-2021

[51] Cl. 25-01

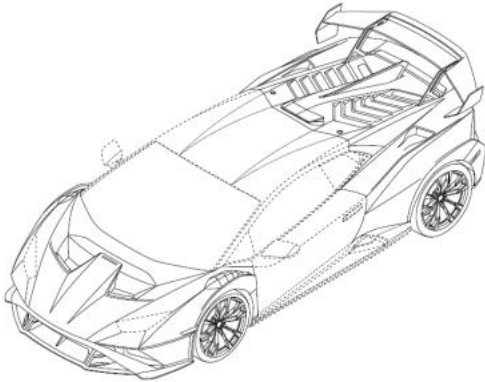
[54] 鋼筋保護套
Steel bar protection cap

[73] 金威電器五金有限公司
KAM WAI ELECTRICAL & METALWARES LIMITED
Room 7, 30/F., Tao Nga House,
Hong Nga Court,
189 Pik Wan Road,
Lam Tin, Kowloon, Hong Kong

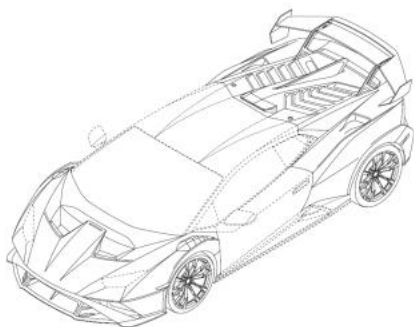
[74] HONG KONG INTELLECTUAL PROPERTY ADVISORY SERVICE LIMITED
Unit 1701, 17/F., Ew International Tower,
120 Texaco Road,
Tsuen Wan, New Territories, Hong Kong



- [11] 2117957.3
[15] 04-05-2021
[30] 18-11-2020 / EU / 008270680-0001
[51] Cl. 21-01
[54] 汽車模型
Scale model vehicle
[73] 蘭博基尼汽車股份有限公司
AUTOMOBILI LAMBORGHINI S.P.A.
Via Modena, 12,
40019 Sant' Agata Bolognese (BO),
Italy
[74] SHANGHAI INTELLECTUAL PROPERTY OFFICE
Unit F, 20th Floor, Neich Tower,
128 Gloucester Road,
Hong Kong



-
- [11] 2117958.5
[15] 04-05-2021
[30] 18-11-2020 / EU / 008270680-0001
[51] Cl. 12-08
[54] 汽車
Vehicle
[73] 蘭博基尼汽車股份有限公司
AUTOMOBILI LAMBORGHINI S.P.A.
Via Modena, 12,
40019 Sant' Agata Bolognese (BO),
Italy
[74] SHANGHAI INTELLECTUAL PROPERTY OFFICE
Unit F, 20th Floor, Neich Tower,
128 Gloucester Road,
Hong Kong





香港特別行政區政府知識產權署外觀設計註冊處

The Government of the Hong Kong Special Administrative Region

Designs Registry, Intellectual Property Department

根據註冊外觀設計條例第 28 條，下列註冊外觀設計因未繳續期費而停止有效。

各組記項按註冊外觀設計停止有效日期及註冊編號先後次序排列。

Registered designs ceased through non-payment of renewal fees under section 28 of the Registered Designs Ordinance. Entries are listed below under their expiry dates.

24-03-2021 - 31-03-2021

24-03-2021	1600542.7	1600552.8M027
1100493.6M001	1600544.1	1600552.8M028
1100493.6M002	1600545.4M001	1600553.0M001
1100493.6M003	1600545.4M002	1600553.0M002
1100495.1	1600545.4M003	1600554.2M001
	1600546.6	1600554.2M002
25-03-2021	1600547.8	1600554.2M003
0110439.3	1600548.0	1600554.2M004
	1600552.8M001	1600554.2M005
26-03-2021	1600552.8M002	1600554.2M006
0110446.8M001	1600552.8M003	1600554.2M007
0110447.0M001	1600552.8M004	1600554.2M008
0600759.5	1600552.8M005	1600555.5M001
0600760.7	1600552.8M006	1600555.5M002
0600761.9	1600552.8M007	
	1600552.8M008	29-03-2021
27-03-2021	1600552.8M009	0600794.8
0110453.2	1600552.8M010	0600795.1
0110467.2	1600552.8M011	0600796.3
0110468.4	1600552.8M012	0600797.5
0600775.9	1600552.8M013	0600798.7
0600776.1	1600552.8M014	0600799.9
1100507.9	1600552.8M015	0600800.3
1100508.1M002	1600552.8M016	0600804.1
1600540.3	1600552.8M017	1600558.1
	1600552.8M018	1600563.1
28-03-2021	1600552.8M019	1600564.3
0600792.4	1600552.8M020	1600565.6M001
1100515.6	1600552.8M021	1600565.6M002
1100516.8	1600552.8M022	1600565.6M003
1100517.0	1600552.8M023	1600565.6M004
1600489.3	1600552.8M024	1600566.8M001
1600541.5M001	1600552.8M025	1600566.8M002
1600541.5M002	1600552.8M026	1600566.8M003

1600566.8M004	1600589.6
1600566.8M005	1600592.2
1600566.8M006	1600595.9
1600567.0	
1600569.4	
1600570.6	
1600571.8	
1600572.0	
1601529.1	
1601530.3	

30-03-2021

0600808.0M001
0600808.0M002
1600573.2M001
1600573.2M002
1600573.2M003
1600573.2M004
1600573.2M005
1600579.5M001
1600579.5M002
1600581.9M003
1600581.9M004
1600581.9M006
1600581.9M008
1600581.9M010
1600584.5

31-03-2021

0600826.8
0600827.0
0600829.4
0600830.6
0600832.0
0600833.2
0600834.4
0600836.9
0600837.1
0600838.3
0600841.9
0600842.1
0600843.3
1100533.3
1100543.4
1100544.6
1600586.0
1600587.2
1600588.4



香港特別行政區政府知識產權署外觀設計註冊處

The Government of the Hong Kong Special Administrative Region

Designs Registry, Intellectual Property Department

根據註冊外觀設計規則第 31 條刪除的註冊外觀設計。各組記項按註冊外觀設計刪除日期及註冊編號先後次序排列。

Registered designs removed under section 31 of the Registered Designs Rules. Entries are listed below under their removal dates.

28-05-2021 - 01-06-2021

28-05-2021	1001744.0M011	1001768.1M002
0502247.0	1001744.0M013	1001769.3
0502249.4	1001744.0M014	1001770.5M001
0502250.6	1001747.7	1001770.5M002
0502254.4M007		1001770.5M003
0502254.4M008	30-05-2021	1001770.5M004
1001742.6	0502316.7M001	1001770.5M005
1502110.2	0502316.7M002	1502125.4
1502112.6M001	0502316.7M003	1502126.6
1502112.6M002	0502316.7M004	1502127.8M001
1502112.6M003	0502316.7M005	1502127.8M002
1502112.6M004	0502316.7M006	1502127.8M003
1502112.6M005	1001751.5	1502127.8M004
1502118.9M001	1001753.9M002	1502127.8M005
1502118.9M002	1001753.9M003	1502127.8M006
1502118.9M003	1001753.9M004	1502127.8M007
1502118.9M004	1001753.9M008	1502127.8M008
1502119.1	1001753.9M009	
	1001758.0M002	01-06-2021
29-05-2021	1001758.0M003	1001774.3M001
0502304.1	1001758.0M004	1001774.3M002
0502305.4	1001758.0M007	1001775.6
0502671.9	1001758.0M009	1001783.2M004
1001743.8	1001758.0M010	1001783.2M006
1001744.0M001	1001764.2	1001783.2M008
1001744.0M002		1502132.8M001
1001744.0M003	31-05-2021	1502132.8M002
1001744.0M004	0011360.5	1502132.8M003
1001744.0M005	1001765.5M001	1502132.8M004
1001744.0M006	1001765.5M002	1502132.8M005
1001744.0M007	1001765.5M003	1502133.0M001
1001744.0M008	1001765.5M004	1502133.0M002
1001744.0M009	1001767.9	1502133.0M003
1001744.0M010	1001768.1M001	1502133.0M004

1502133.0M005
1502134.2M001
1502134.2M002
1502134.2M003
1502134.2M004
1502134.2M005
1502137.9
1502138.1
1502139.3
1502140.5
1502141.7
1502142.9
1502143.1
1502145.6M001
1502145.6M002
1502145.6M003
1502147.0M001
1502147.0M002
1600525.2
1600526.4
1600527.6
1600528.8M001
1600528.8M002
1600528.8M003
1600528.8M004
1600529.0M001
1600529.0M002
1600529.0M003
1600529.0M004
1600530.2M001
1600530.2M002
1600530.2M003
1600530.2M004



香港特別行政區政府知識產權署外觀設計註冊處

The Government of the Hong Kong Special Administrative Region

Designs Registry, Intellectual Property Department

根據註冊外觀設計條例第 76 條，更正已提交文件中的錯誤

Correction of errors in filed documents under section 76 of the Registered Designs Ordinance

任何人士現可對下列更正錯誤的請求提出反對

Request for correction of errors now open to opposition

如任何人士意欲反對下列請求，則須在本官方公報刊登是項更正請求的日期起計的兩個月內，根據註冊外觀設計規則第 62(4) 條，採用指明外觀設計表格第 D9 號提交反對通知。如在限期內沒有收到任何反對通知，處長將依本公報刊登的更正請求的內容，准許是項更正請求。

If any person wishes to oppose the following request, he shall file a notice of opposition in specified Designs Form D9 within two months from the date of advertisement in this official journal under section 62(4) of the Registered Designs Rules. If no notice of opposition is received, the request for correction will be allowed by the Registrar in the present advertised form.

[21] 1915154.3

[30] 30.05.2019 / US / 29/693,104