

香港知識產權公報

Hong Kong Intellectual Property Journal

2019 年 10 月 18 日

18 October 2019

目錄

Contents

根據註冊外觀設計條例第 25 條註冊的外觀設計

Designs Registered under section 25 of the Registered Designs Ordinance

按註冊編號排列

Arranged by Registration Number

根據註冊外觀設計條例(第 522 章)公布的其他公告

Other Notices Published under the Registered Designs Ordinance (Cap. 522)

根據註冊外觀設計條例第 28 條, 註冊外觀設計因未繳續期費而停止有效

Registered designs ceased through non-payment of renewal fees under section 28 of the Registered Designs Ordinance

根據註冊外觀設計規則第 31 條刪除的註冊外觀設計

Registered designs removed under section 31 of the Registered Designs Rules

以下事項沒有記錄

No Records for the Following Matters

根據註冊外觀設計條例第 30 條放棄的外觀設計的註冊

Surrender of Registration of Design under section 30 of the Registered Designs Ordinance

根據註冊外觀設計規則第 37 條, 向處長作出轉介

Reference to Registrar under section 37 of the Registered Designs Rules

根據註冊外觀設計條例第 45 條, 撤銷註冊

Revocation of Registration under section 45 of the Registered Designs Ordinance

根據註冊外觀設計規則第 46 條，向法院作出轉介
Reference to Court under section 46 of the Registered Designs Rules

根據註冊外觀設計規則第 63 條對不符合規定之處作出糾正
Rectification of Irregularities under section 63 of the Registered Designs Rules

根據註冊外觀設計條例第 66 條，糾正註冊紀錄冊
Rectification of Register under section 66 of the Registered Designs Ordinance

根據註冊外觀設計條例第 67 條，更正註冊紀錄冊內的錯誤
Correction of Errors in Register under section 67 of the Registered Designs Ordinance

根據註冊外觀設計條例第 67 及 76 條，更正註冊紀錄冊內及已提交文件中的錯誤
Correction of Errors in Register and in Filed Documents under sections
67 and 76 of the Registered Designs Ordinance

根據註冊外觀設計條例第 76 條，更正已提交文件中的錯誤
Correction of Errors in Filed Documents under section 76 of the Registered Designs
Ordinance

勘誤
Corrigendum

註冊外觀設計公告註釋

Notes on advertisements of registration of designs

方括號表示下列資料：

Square brackets indicate the following data：

- [11] 註冊編號 Registration number / 聯合王國註冊編號 United Kingdom registration number

- [15] 註冊日期 Registration date / 當作註冊日期 Deemed registration date / 聯合王國註冊日期 United Kingdom registration date

- [17] 註冊有效期屆滿日期 Expiry date of the period of registration

- [22] 提交日期 Filing date / 當作提交日期 Deemed filing date / 聯合王國提交日期 United Kingdom filing date

- [30] 聲稱享有的優先權 (提交日期 / 巴黎公約國或世界貿易組織成員 / 申請編號) Priority claimed (filing date / Paris Convention country or WTO member / application number)

- [51] 國際外觀設計分類號 (洛迦諾分類號) International Classification of designs (Locarno Classification)

- [54] 物品 Article

- [55] 外觀設計的表述 Representation of the design

- [62] 分開前的申請編號及提交日期 Application number before division and filing date

- [66] 過往註冊的聯繫外觀設計註冊編號 / 日期 Registration No. / Date of Previous Registration for Association

- [72] 設計人 Designer

[73] 擁有人姓名和地址 Name and address of the owner

[74] 代理人 Agent / 送達地址 Address for service



香港特別行政區政府知識產權署外觀設計註冊處

The Government of the Hong Kong Special Administrative Region

Designs Registry, Intellectual Property Department

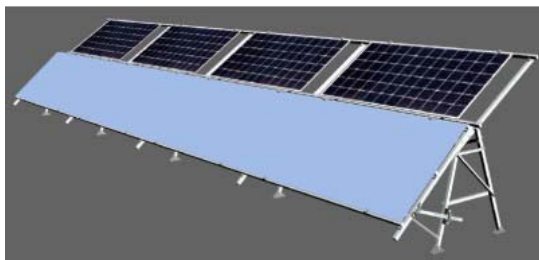
根據註冊外觀設計條例第 25 條註冊的外觀設計

Designs registered under section 25 of the Registered Designs Ordinance

按註冊編號排列

Arranged by Registration Number

- [11] 1802539.5
- [15] 24-12-2018
- [30] 22-09-2018 / CN / 201830535301.3
- [51] Cl. 13-04
- [54] 鏡陣光伏通用裝置
Mirror-array photovoltaic universal device
- [73] LYON (ZHUHAI) AVIATION TECHNOLOGY CO., LTD.
306 3/F. Jiuzhou Holiday Building,
1248 Jiuzhou Ave. East, Zhuhai City,
Guangdong Province, CHINA
- [74] CHAN, TANG & KWOK
Rooms 2503-04, 25/F.,
Shanghai Industrial Investment Building,
48-62 Hennessy Road, Wanchai, Hong Kong.



-
- [11] 1900127.0M001
 - [15] 21-01-2019
 - [51] Cl. 21-01
 - [54] 玩具車
Toy car
 - [73] 銀輝號有限公司
SILVERLIT LIMITED
Room 1704, World Trade Centre,

280 Gloucester Road, Causeway Bay
Hong Kong

[74] SILVERLIT LIMITED
Room 1704, World Trade Centre,
280 Gloucester Road, Causeway Bay
Hong Kong



[11] 1900127.0M002

[15] 21-01-2019

[51] Cl. 21-01

[54] 玩具狗
Toy dog

[73] 銀輝號有限公司

SILVERLIT LIMITED
Room 1704, World Trade Centre,
280 Gloucester Road, Causeway Bay
Hong Kong

[74] SILVERLIT LIMITED
Room 1704, World Trade Centre,
280 Gloucester Road, Causeway Bay
Hong Kong



[11] 1900127.0M003

[15] 21-01-2019

[51] Cl. 21-01

[54] 玩具機械人

Toy robot

[73] 銀輝號有限公司

SILVERLIT LIMITED

Room 1704, World Trade Centre,

280 Gloucester Road, Causeway Bay

Hong Kong

[74] SILVERLIT LIMITED

Room 1704, World Trade Centre,

280 Gloucester Road, Causeway Bay

Hong Kong



[11] 1900127.0M004

[15] 21-01-2019

[51] Cl. 21-01

[54] 玩具機械人

Toy robot

[73] 銀輝號有限公司

SILVERLIT LIMITED

Room 1704, World Trade Centre,

280 Gloucester Road, Causeway Bay

Hong Kong

[74] SILVERLIT LIMITED

Room 1704, World Trade Centre,

280 Gloucester Road, Causeway Bay

Hong Kong



[11] 1900127.0M005

[15] 21-01-2019

[51] Cl. 21-01

[54] 玩具機械人

Toy robot

[73] 銀輝號有限公司

SILVERLIT LIMITED

Room 1704, World Trade Centre,

280 Gloucester Road, Causeway Bay

Hong Kong

[74] SILVERLIT LIMITED

Room 1704, World Trade Centre,

280 Gloucester Road, Causeway Bay

Hong Kong



[11] 1900127.0M006

[15] 21-01-2019

[51] Cl. 21-01

[54] 遊戲機

Game device

[73] 銀輝號有限公司

SILVERLIT LIMITED

Room 1704, World Trade Centre,
280 Gloucester Road, Causeway Bay
Hong Kong

[74] SILVERLIT LIMITED

Room 1704, World Trade Centre,
280 Gloucester Road, Causeway Bay
Hong Kong



[11] 1900127.0M007

[15] 21-01-2019

[51] Cl. 21-01

[54] 玩具槍

Toy gun

[73] 銀輝號有限公司

SILVERLIT LIMITED

Room 1704, World Trade Centre,
280 Gloucester Road, Causeway Bay
Hong Kong

[74] SILVERLIT LIMITED

Room 1704, World Trade Centre,
280 Gloucester Road, Causeway Bay
Hong Kong



[11] 1900127.0M008

[15] 21-01-2019

[51] Cl. 21-01

[54] 玩具滑膛槍
Toy shotgun

[73] 銀輝號有限公司

SILVERLIT LIMITED

Room 1704, World Trade Centre,
280 Gloucester Road, Causeway Bay
Hong Kong

[74] SILVERLIT LIMITED

Room 1704, World Trade Centre,
280 Gloucester Road, Causeway Bay
Hong Kong



[11] 1900127.0M009

[15] 21-01-2019

[51] Cl. 21-01

[54] 玩具連射槍
Toy multishot gun

[73] 銀輝號有限公司

SILVERLIT LIMITED

Room 1704, World Trade Centre,

280 Gloucester Road, Causeway Bay
Hong Kong

[74] SILVERLIT LIMITED
Room 1704, World Trade Centre,
280 Gloucester Road, Causeway Bay
Hong Kong



[11] 1900127.0M010

[15] 21-01-2019

[51] Cl. 21-01

[54] 玩具連射槍
Toy sniper gun

[73] 銀輝號有限公司
SILVERLIT LIMITED
Room 1704, World Trade Centre,
280 Gloucester Road, Causeway Bay
Hong Kong

[74] SILVERLIT LIMITED
Room 1704, World Trade Centre,
280 Gloucester Road, Causeway Bay
Hong Kong



[11] 1900127.0M011

[15] 21-01-2019

[51] Cl. 21-01

[54] 玩具牆角槍

Toy cornershot gun

[73] 銀輝號有限公司

SILVERLIT LIMITED

Room 1704, World Trade Centre,
280 Gloucester Road, Causeway Bay
Hong Kong

[74] SILVERLIT LIMITED

Room 1704, World Trade Centre,
280 Gloucester Road, Causeway Bay
Hong Kong



[11] 1900183.7M001

[15] 28-01-2019

[30] 11-10-2018 / EU, JP, KR, SG, CH, US / DM/103 606

[51] Cl. 10-02

[54] 手錶

Wristwatch

[73] PATEK PHILIPPE SA GENEVE

Rue du Rhône 41,
1204 Geneva,
SWITZERLAND

[74] Wilkinson & Grist

6th Floor, Prince's Building,
Chater Road,
Hong Kong.



[11] 1900183.7M002

[15] 28-01-2019

[30] 11-10-2018 / EU, JP, KR, SG, CH, US / DM/103 606

[51] Cl. 10-02

[54] 手錶

Wristwatch

[73] PATEK PHILIPPE SA GENEVE

Rue du Rhône 41,

1204 Geneva,

SWITZERLAND

[74] Wilkinson & Grist

6th Floor, Prince's Building,

Chater Road,

Hong Kong.



[11] 1900183.7M003

[15] 28-01-2019

[30] 11-10-2018 / EU, JP, KR, SG, CH, US / DM/103 606

[51] Cl. 10-07

[54] 錶蓋環

Watch bezel

[73] PATEK PHILIPPE SA GENEVE

Rue du Rhône 41,

1204 Geneva,

SWITZERLAND

[74] Wilkinson & Grist

6th Floor, Prince's Building,

Chater Road,

Hong Kong.



[11] 1900183.7M004

[15] 28-01-2019

[30] 11-10-2018 / EU, JP, KR, SG, CH, US / DM/103 606

[51] Cl. 10-02

[54] 手錶

Watch

[73] PATEK PHILIPPE SA GENEVE

Rue du Rhône 41,

1204 Geneva,

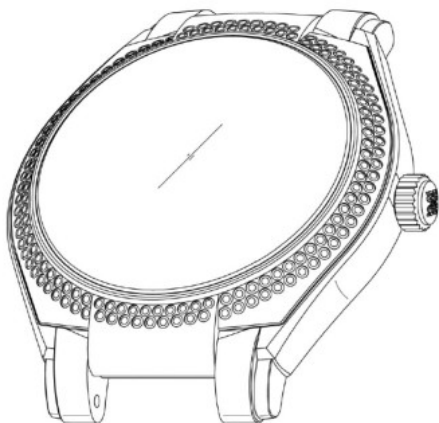
SWITZERLAND

[74] Wilkinson & Grist

6th Floor, Prince's Building,

Chater Road,

Hong Kong.



[11] 1900183.7M005

[15] 28-01-2019

[30] 11-10-2018 / EU, JP, KR, SG, CH, US / DM/103 606

[51] Cl. 10-07

[54] 錶殼

Watch case

[73] PATEK PHILIPPE SA GENEVE

Rue du Rhône 41,

1204 Geneva,

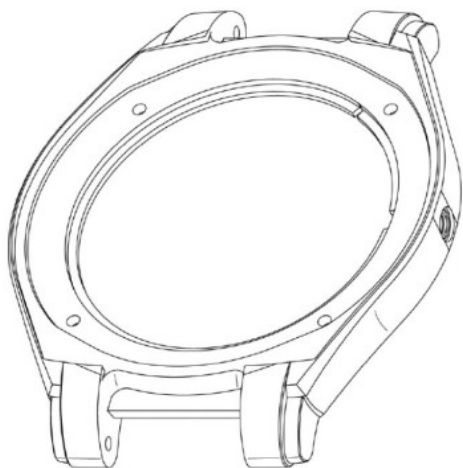
SWITZERLAND

[74] Wilkinson & Grist

6th Floor, Prince's Building,

Chater Road,

Hong Kong.



[11] 1900183.7M006

[15] 28-01-2019

[30] 11-10-2018 / EU, JP, KR, SG, CH, US / DM/103 606

[51] Cl. 10-02

[54] 手錶

Watch

[73] PATEK PHILIPPE SA GENEVE

Rue du Rhône 41,

1204 Geneva,

SWITZERLAND

[74] Wilkinson & Grist

6th Floor, Prince's Building,

Chater Road,

Hong Kong.



[11] 1900183.7M007

[15] 28-01-2019

[30] 11-10-2018 / EU, JP, KR, SG, CH, US / DM/103 606

[51] Cl. 10-07

[54] 錶殼

Watch case

[73] PATEK PHILIPPE SA GENEVE

Rue du Rhône 41,

1204 Geneva,

SWITZERLAND

[74] Wilkinson & Grist

6th Floor, Prince's Building,

Chater Road,

Hong Kong.



[11] 1900183.7M008

[15] 28-01-2019

[30] 11-10-2018 / EU, JP, KR, SG, CH, US / DM/103 606

[51] Cl. 10-07

[54] 手錶帶

Bracelet for watch

[73] PATEK PHILIPPE SA GENEVE

Rue du Rhône 41,

1204 Geneva,

SWITZERLAND

[74] Wilkinson & Grist

6th Floor, Prince's Building,

Chater Road,

Hong Kong.



[11] 1900183.7M009

[15] 28-01-2019

[30] 11-10-2018 / EU, JP, KR, SG, CH, US / DM/103 606

[51] Cl. 10-07

[54] 手錶帶

Bracelet for watch

[73] PATEK PHILIPPE SA GENEVE

Rue du Rhône 41,

1204 Geneva,

SWITZERLAND

[74] Wilkinson & Grist

6th Floor, Prince's Building,

Chater Road,

Hong Kong.



[11] 1900183.7M010

[15] 28-01-2019

[30] 11-10-2018 / EU, JP, KR, SG, CH, US / DM/103 606

[51] Cl. 10-07

[54] 錶面

Watch dial

[73] PATEK PHILIPPE SA GENEVE

Rue du Rhône 41,

1204 Geneva,

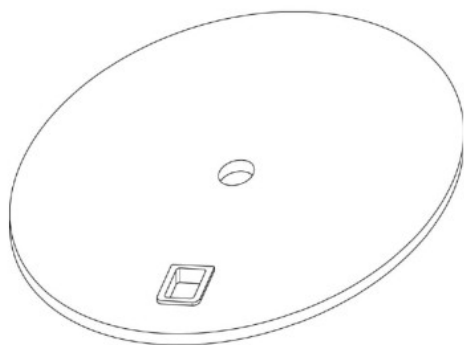
SWITZERLAND

[74] Wilkinson & Grist

6th Floor, Prince's Building,

Chater Road,

Hong Kong.



[11] 1900183.7M011

[15] 28-01-2019

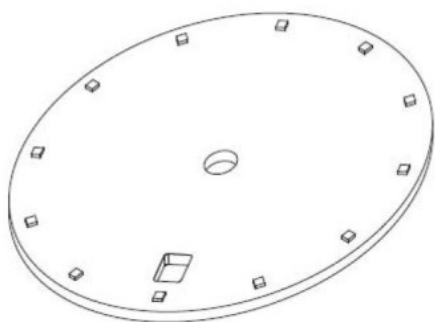
[30] 11-10-2018 / EU, JP, KR, SG, CH, US / DM/103 606

[51] Cl. 10-07

[54] 錶面
Watch dial

[73] PATEK PHILIPPE SA GENEVE
Rue du Rhône 41,
1204 Geneva,
SWITZERLAND

[74] Wilkinson & Grist
6th Floor, Prince's Building,
Chater Road,
Hong Kong.



[11] 1900183.7M012

[15] 28-01-2019

[30] 11-10-2018 / EU, JP, KR, SG, CH, US / DM/103 606

[51] Cl. 10-07

[54] 錶面

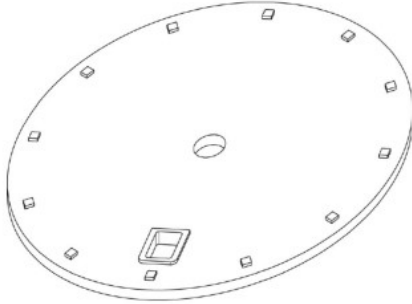
Watch dial

[73] PATEK PHILIPPE SA GENEVE

Rue du Rhône 41,
1204 Geneva,
SWITZERLAND

[74] Wilkinson & Grist

6th Floor, Prince's Building,
Chater Road,
Hong Kong.



[11] 1900183.7M013

[15] 28-01-2019

[30] 11-10-2018 / EU, JP, KR, SG, CH, US / DM/103 606

[51] Cl. 10-07

[54] 錶面

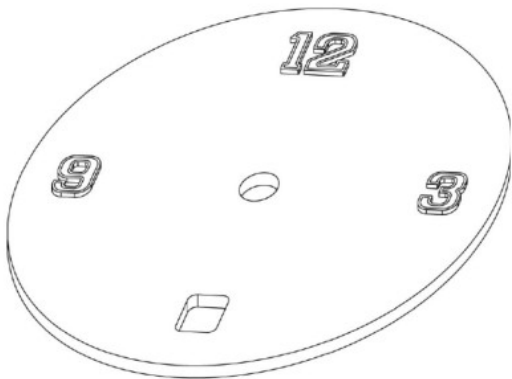
Watch dial

[73] PATEK PHILIPPE SA GENEVE

Rue du Rhône 41,
1204 Geneva,
SWITZERLAND

[74] Wilkinson & Grist

6th Floor, Prince's Building,
Chater Road,
Hong Kong.



[11] 1900183.7M014

[15] 28-01-2019

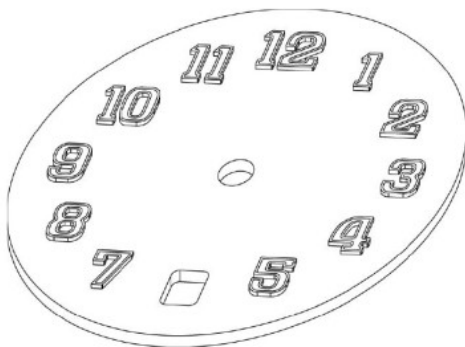
[30] 11-10-2018 / EU, JP, KR, SG, CH, US / DM/103 606

[51] Cl. 10-07

[54] 錶面
Watch dial

[73] PATEK PHILIPPE SA GENEVE
Rue du Rhône 41,
1204 Geneva,
SWITZERLAND

[74] Wilkinson & Grist
6th Floor, Prince's Building,
Chater Road,
Hong Kong.



[11] 1900183.7M015

[15] 28-01-2019

[30] 11-10-2018 / EU, JP, KR, SG, CH, US / DM/103 606

[51] Cl. 10-07

[54] 錶面
Watch dial

[73] PATEK PHILIPPE SA GENEVE
Rue du Rhône 41,
1204 Geneva,
SWITZERLAND

[74] Wilkinson & Grist
6th Floor, Prince's Building,
Chater Road,
Hong Kong.



[11] 1900183.7M016

[15] 28-01-2019

[30] 11-10-2018 / EU, JP, KR, SG, CH, US / DM/103 606

[51] Cl. 10-07

[54] 錶冠

Watch crown

[73] PATEK PHILIPPE SA GENEVE

Rue du Rhône 41,

1204 Geneva,

SWITZERLAND

[74] Wilkinson & Grist

6th Floor, Prince's Building,

Chater Road,

Hong Kong.



[11] 1900183.7M017

[15] 28-01-2019

[30] 11-10-2018 / EU, JP, KR, SG, CH, US / DM/103 606

[51] Cl. 10-02

[54] 手錶

Wristwatch

[73] PATEK PHILIPPE SA GENEVE

Rue du Rhône 41,
1204 Geneva,
SWITZERLAND

[74] Wilkinson & Grist

6th Floor, Prince's Building,
Chater Road,
Hong Kong.



[11] 1900183.7M018

[15] 28-01-2019

[30] 11-10-2018 / EU, JP, KR, SG, CH, US / DM/103 606

[51] Cl. 10-02

[54] 手錶

Wristwatch

[73] PATEK PHILIPPE SA GENEVE

Rue du Rhône 41,
1204 Geneva,
SWITZERLAND

[74] Wilkinson & Grist

6th Floor, Prince's Building,
Chater Road,
Hong Kong.



[11] 1900183.7M019

[15] 28-01-2019

[30] 11-10-2018 / EU, JP, KR, SG, CH, US / DM/103 606

[51] Cl. 10-02

[54] 手錶

Wristwatch

[73] PATEK PHILIPPE SA GENEVE

Rue du Rhône 41,

1204 Geneva,

SWITZERLAND

[74] Wilkinson & Grist

6th Floor, Prince's Building,

Chater Road,

Hong Kong.



[11] 1900183.7M020

[15] 28-01-2019

[30] 11-10-2018 / EU, JP, KR, SG, CH, US / DM/103 606

[51] Cl. 10-02

[54] 手錶

Wristwatch

[73] PATEK PHILIPPE SA GENEVE

Rue du Rhône 41,
1204 Geneva,
SWITZERLAND

[74] Wilkinson & Grist

6th Floor, Prince's Building,
Chater Road,
Hong Kong.



[11] 1900183.7M021

[15] 28-01-2019

[30] 11-10-2018 / EU, JP, KR, SG, CH, US / DM/103 606

[51] Cl. 10-02

[54] 手錶

Wristwatch

[73] PATEK PHILIPPE SA GENEVE

Rue du Rhône 41,
1204 Geneva,
SWITZERLAND

[74] Wilkinson & Grist

6th Floor, Prince's Building,
Chater Road,
Hong Kong.



[11] 1900183.7M022

[15] 28-01-2019

[30] 11-10-2018 / EU, JP, KR, SG, CH, US / DM/103 606

[51] Cl. 10-02

[54] 手錶

Wristwatch

[73] PATEK PHILIPPE SA GENEVE

Rue du Rhône 41,

1204 Geneva,

SWITZERLAND

[74] Wilkinson & Grist

6th Floor, Prince's Building,

Chater Road,

Hong Kong.



[11] 1900192.6M001

[15] 29-01-2019

[51] Cl. 9-03

[54] 煙盒
Cigarette case

[73] 柳春華
中國內地福建省
廈門市 海投過
雲溪

[74] 卓遠知識產權有限公司
香港上環
禧利街 27 號
富輝商業中心 7 樓 701-702 室



[11] 1900192.6M002

[15] 29-01-2019

[51] Cl. 9-03

[54] 煙盒
Cigarette case

[73] 柳春華
中國內地福建省
廈門市 海投過
雲溪

[74] 卓遠知識產權有限公司
香港上環
禧利街 27 號
富輝商業中心 7 樓 701-702 室



[11] 1900204.3M001

[15] 30-01-2019

[30] 31-07-2018 / JP / 016748 of 2018

[51] Cl. 9-07

[54] 瓶用泵分配器

Pump dispenser for bottle

[73] Kao Kabushiki Kaisha (Kao Corporation)

14-10, Nihonbashi Kayabacho 1-chome,

Chuo-ku, Tokyo 103-8210,

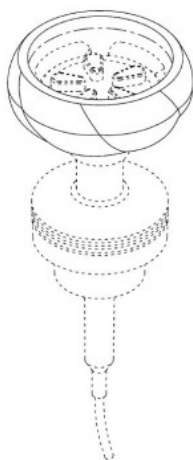
Japan

[74] Oriental Intellectual Property Services Co.

Flat B, 38F, South Tower 3, Phase 2,

Residence Bel-Air, Island South

Hong Kong



[11] 1900204.3M002

[15] 30-01-2019

[30] 31-07-2018 / JP / 016753 of 2018

31-07-2018 / JP / 016748 of 2018

[51] Cl. 9-07

[54] 瓶用泵分配器

Pump dispenser for bottle

[73] Kao Kabushiki Kaisha (Kao Corporation)

14-10, Nihonbashi Kayabacho 1-chome,

Chuo-ku, Tokyo 103-8210,

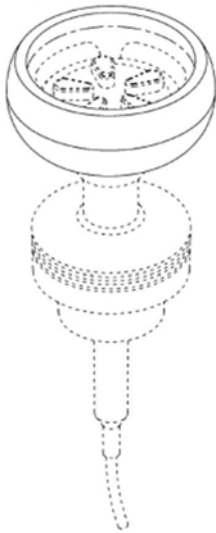
Japan

[74] Oriental Intellectual Property Services Co.

Flat B, 38F, South Tower 3, Phase 2,

Residence Bel-Air, Island South

Hong Kong



[11] 1913038.6M001

[15] 14-02-2019

[30] 20-08-2018 / EU / 005615119

[51] Cl. 23-03

[54] 對流加熱器

Convactor

[73] STEGO-Holding GmbH

Kolpingstr. 21

D-74523 Schwäbisch Hall

GERMANY

[74] VIVIEN CHAN & CO.

32/F, Harbour Centre,

25 Harbour Road,

Hong Kong



[11] 1913038.6M002

[15] 14-02-2019

[30] 20-08-2018 / EM / 005615119

[51] Cl. 23-03

[54] 對流加熱器

Convector

[73] STEGO-Holding GmbH

Kolpingstr. 21

D-74523 Schwäbisch Hall

GERMANY

[74] VIVIEN CHAN & CO.

32/F, Harbour Centre,

25 Harbour Road,

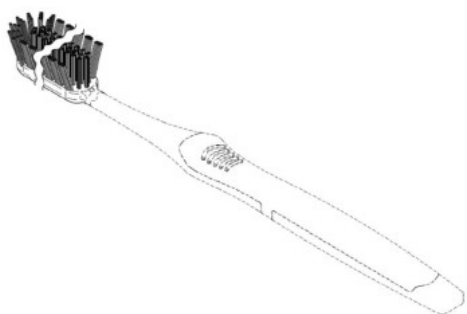
Hong Kong



- [11] 1913053.7M001
[15] 19-02-2019
[30] 14-12-2018 / US / 29/673,493
[51] Cl. 4-02
[54] 牙刷
Toothbrush
[73] World Wide Daily Holdings Company Limited
19/F., Koon Wah Mirror Factory
3rd Industrial Building
5-9 Ka Hing Road, Kwai Chung, New Territories
HONG KONG
[74] MARKS & CLERK
Level 9, Cyberport 1
100 Cyberport Road, Pok Fu Lam
HONG KONG



-
- [11] 1913053.7M002
[15] 19-02-2019
[30] 14-12-2018 / US / 29/673,493
[51] Cl. 4-02
[54] 牙刷
Toothbrush
[73] World Wide Daily Holdings Company Limited
19/F., Koon Wah Mirror Factory
3rd Industrial Building
5-9 Ka Hing Road, Kwai Chung, New Territories
HONG KONG
[74] MARKS & CLERK
Level 9, Cyberport 1
100 Cyberport Road, Pok Fu Lam
HONG KONG



[11] 1913053.7M003

[15] 19-02-2019

[30] 14-12-2018 / US / 29/673,495

[51] Cl. 4-02

[54] 牙刷

Toothbrush

[73] World Wide Daily Holdings Company Limited

19/F., Koon Wah Mirror Factory

3rd Industrial Building

5-9 Ka Hing Road, Kwai Chung, New Territories

HONG KONG

[74] MARKS & CLERK

Level 9, Cyberport 1

100 Cyberport Road, Pok Fu Lam

HONG KONG



[11] 1913053.7M004

[15] 19-02-2019

[30] 14-12-2018 / US / 29/673,495

[51] Cl. 4-02

[54] 牙刷

Toothbrush

[73] World Wide Daily Holdings Company Limited

19/F., Koon Wah Mirror Factory

3rd Industrial Building

5-9 Ka Hing Road, Kwai Chung, New Territories

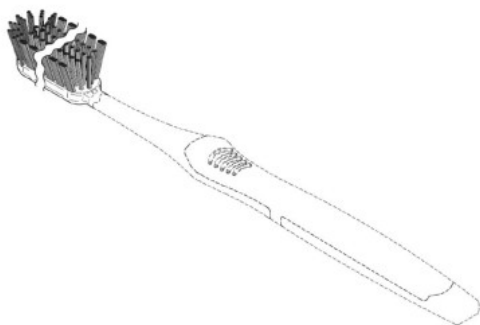
HONG KONG

[74] MARKS & CLERK

Level 9, Cyberport 1

100 Cyberport Road, Pok Fu Lam

HONG KONG



[11] 1913053.7M005

[15] 19-02-2019

[30] 14-12-2018 / US / 29/673.499

[51] Cl. 4-02

[54] 牙刷

Toothbrush

[73] World Wide Daily Holdings Company Limited

19/F., Koon Wah Mirror Factory

3rd Industrial Building

5-9 Ka Hing Road, Kwai Chung, New Territories

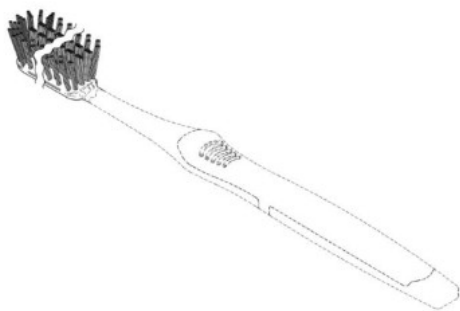
HONG KONG

[74] MARKS & CLERK

Level 9, Cyberport 1

100 Cyberport Road, Pok Fu Lam

HONG KONG



[11] 1913053.7M006

[15] 19-02-2019

[30] 14-12-2018 / US / 29/673.499

[51] Cl. 4-02

[54] 牙刷

Toothbrush

[73] World Wide Daily Holdings Company Limited

19/F., Koon Wah Mirror Factory

3rd Industrial Building

5-9 Ka Hing Road, Kwai Chung, New Territories

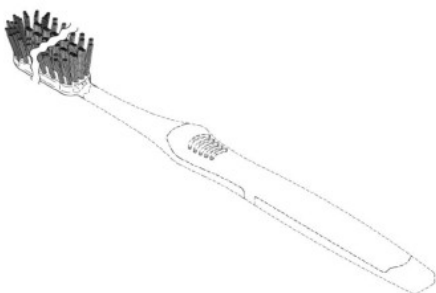
HONG KONG

[74] MARKS & CLERK

Level 9, Cyberport 1

100 Cyberport Road, Pok Fu Lam

HONG KONG



[11] 1913058.8M001

[15] 20-02-2019

[30] 17-12-2018 / JP / 2018 of 027469

[51] Cl. 9-03

[54] 包裝盒

Packaging Box

[73] 久光製藥株式會社

HISAMITSU PHARMACEUTICAL CO., INC.

408, Tashirodaikan-machi,

Tosu-shi, Saga 841-0017

JAPAN

[74] WILKINSON & GRIST

6th Floor, Prince's Building

Chater Road

HONG KONG



[11] 1913058.8M002

[15] 20-02-2019

[30] 17-12-2018 / JP / 2018 of 027469

[51] Cl. 9-03

[54] 包裝盒

Packaging Box

[73] 久光製藥株式會社

HISAMITSU PHARMACEUTICAL CO., INC.

408, Tashirodaikan-machi,

Tosu-shi, Saga 841-0017

JAPAN

[74] WILKINSON & GRIST

6th Floor, Prince's Building

Chater Road

HONG KONG



[11] 1913298.6

[15] 25-03-2019

[30] 05-10-2018 / EU / 005761012-0001

[51] Cl. 21-01

[54] 遊戲機控制器

Game controller

[73] BIGBEN INTERACTIVE

396/466 rue de la Voyette CRT2

59273 FRETIN

FRANCE

[74] WENPING & CO

1701 Tung Wai Commercial Building,

111 Gloucester Road,

HONG KONG



[11] 1913517.3

[15] 24-04-2019

[30] 15-04-2019 / KR / 30-2019-0017630

[51] Cl. 23-02

[54] 紫外線殺菌器

Ultraviolet sterilizer

[73] 柱珉技術有限公司

PRIMETECH Co., Ltd.

(Gongdeok-dong, seoulstartuphub)#414, Main building 4F., 21,

Baekbeom-ro 31-gil, Mapo-gu, Seoul,

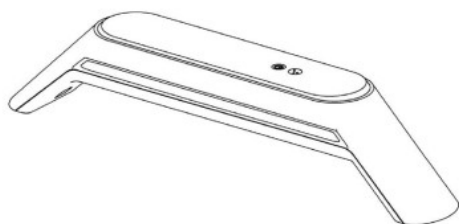
KOREA, REPUBLIC OF

[74] STANDARD INTERNATIONAL INTELLECTUAL PROPERTY SERVICES CENTRE

UNIT15C, HUA CHIAO COMMERCIAL CENTRE,

678 NATHAN ROAD MONGKOK, KOWLOON

HONG KONG



[11] 1913518.5M001

[15] 24-04-2019

[51] Cl. 23-03

[54] 乾被機

Futon dryer

[73] 新發電器製品(國際)有限公司

香港屯門杯渡路 76 號 屯門

工業中心

E 座一字樓二號室

[74] 新發電器製品(國際)有限公司

香港屯門杯渡路 76 號 屯門

工業中心

E 座一字樓二號室



[11] 1913518.5M002

[15] 24-04-2019

[51] Cl. 23-04

[54] 蒸發式冷風機

Evaporative air cooler fan

[73] 新發電器製品(國際)有限公司

香港屯門杯渡路 76 號

屯門工業中心

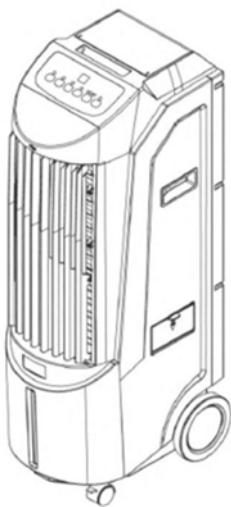
E 座一字樓二號室

[74] 新發電器製品(國際)有限公司

香港屯門杯渡路 76 號 屯門

工業中心

E 座一字樓二號室



[11] 1913518.5M003

[15] 24-04-2019

[51] Cl. 23-04

[54] 蒸發式冷風機

Evaporative air cooler fan

[73] 新發電器製品(國際)有限公司

香港屯門杯渡路 76 號

屯門工業中心

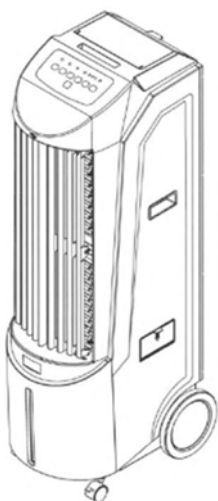
E 座一字樓二號室

[74] 新發電器製品(國際)有限公司

香港屯門杯渡路 76 號 屯門

工業中心

E 座一字樓二號室



[11] 1913541.3

[15] 29-04-2019

[51] Cl. 21-01

[54] 火箭投影燈

Rocket projector

[73] 立信五金塑膠廠有限公司

Lup Shun Metal & Plastic Ware Factory Limited

Flat A and B, 8/F, Chen Yip Industrial Building

5 Lai Yip Street, Kwun Tong, Kowloon

HONG KONG

[74] GLOBAL INTELLECTUAL PROPERTY COMPANY LIMITED

Unit 2205, 22/F Sino Plaza,

255-257 Gloucester Road, Causeway Bay,

HONG KONG



[11] 1913542.5

[15] 29-04-2019

[51] Cl. 21-01

[54] 手提投影儀

Portable projector

[73] 立信五金塑膠廠有限公司

Lup Shun Metal & Plastic Ware Factory Limited
Flat A and B, 8/F, Chen Yip Industrial Building
5 Lai Yip Street, Kwun Tong, Kowloon
HONG KONG

[74] GLOBAL INTELLECTUAL PROPERTY COMPANY LIMITED

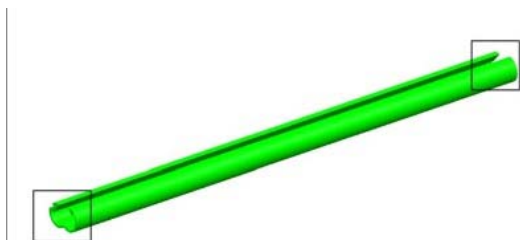
Unit 2205, 22/F Sino Plaza,
255-257 Gloucester Road, Causeway Bay,
HONG KONG



- [11] 1913543.7
[15] 29-04-2019
[30] 29-10-2018 / US / 29/668,312
[51] Cl. 14-02
[54] 電子設備
Electronic Device
[73] 蘋果公司
APPLE INC.
ONE APPLE PARK WAY, CUPERTINO, CALIFORNIA 95014
UNITED STATES
[74] CLT PATENT & TRADEMARK (H.K.) LIMITED
Unit 09, 34/F., Office Tower, Convention Plaza
No. 1 Harbour Road, Wanchai
HONG KONG



-
- [11] 1913546.4
[15] 29-04-2019
[51] Cl. 7-06
[54] 可打開及重複使用的吸管
Openable and reusable straw
[73] 麥子澄
Mak Tsz Ching
Rm 2206, Waldorf Centre
Tsuen Wan, NT
HONG KONG
[74] ACCOLADE IP LIMITED
10/F, Fu Fai Comm. Ctr.,
27 Hillier Street, Sheung Wan,
HONG KONG



[11] 1913547.6M001

[15] 29-04-2019

[51] Cl. 9-03

[54] 包裝盒

Packaging box

[73] 卡萊美化妝品有限公司

Colourmix Cosmetics Company Limited
10th Floor, Wyler Centre, Phase 2
192-200 Tai Lin Pai Road, Kwai Chung,
New Territories, HONG KONG

[74] MARKPAL IP LIMITED

Unit A, 11/F Amtel Building
144-148 Des Voeux Road, Central
HONG KONG



[11] 1913547.6M002

[15] 29-04-2019

[51] Cl. 9-05

[54] 面膜包裝袋

Pouch for packaging mask pack

[73] 卡萊美化妝品有限公司

Colourmix Cosmetics Company Limited
10th Floor, Wyler Centre, Phase 2
192-200 Tai Lin Pai Road, Kwai Chung,
New Territories, HONG KONG

[74] MARKPAL IP LIMITED

Unit A, 11/F Amtel Building

144-148 Des Voeux Road, Central
HONG KONG



[11] 1913548.8M001

[15] 29-04-2019

[51] Cl. 9-03

[54] 包裝盒

Packaging box

[73] 卡萊美化妝品有限公司

Colourmix Cosmetics Company Limited
10th Floor, Wyler Centre, Phase 2
192-200 Tai Lin Pai Road, Kwai Chung,
New Territories, HONG KONG

[74] MARKPAL IP LIMITED

Unit A, 11/F Amtel Building
144-148 Des Voeux Road Central
HONG KONG



[11] 1913548.8M002

[15] 29-04-2019

[51] Cl. 9-05

[54] 面膜包裝袋

Pouch for packaging mask pack

[73] 卡萊美化妝品有限公司

Colourmix Cosmetics Company Limited
10th Floor, Wylar Centre, Phase 2
192-200 Tai Lin Pai Road, Kwai Chung,
New Territories, HONG KONG

[74] MARKPAL IP LIMITED

Unit A, 11/F Amtel Building
144-148 Des Voeux Road Central
HONG KONG



[11] 1913563.9

[15] 30-04-2019

[51] Cl. 26-05

[54] 落地燈

Free-standing luminaire

[73] 香港庚明光電科技有限公司

HK GENGMING OP-TECH COMPANY LIMITED
香港
香港灣仔駱克道 348-350 號 恒發商業
大廈 8 樓 C 室

[74] 卓遠知識產權有限公司

香港

上環禧利街 27 號
富輝商業中心 10 樓



[11] 1913564.1

[15] 30-04-2019

[51] Cl. 26-05

[54] 落地燈

Free-standing luminaire

[73] 香港庚明光電科技有限公司

HK GENGMING OP-TECH COMPANY LIMITED

香港

香港灣仔駱克道 348-350 號 恒發商業

大廈 8 樓 C 室

[74] 卓遠知識產權有限公司

香港

上環禧利街 27 號

富輝商業中心 10 樓



[11] 1913565.4

[15] 30-04-2019

[30] 28-02-2019 / CN / 201930080902.4

[51] Cl. 9-03

[54] 包裝盒

Packing box

[73] 北京同仁堂國際藥業有限公司

BEIJING TONG REN TANG INTERNATIONAL NATURAL-PHARM CO., LTD.

中國內地

100176 北京市大興區北京經濟技術開發區

西環南路 8 號 201 室

[74] 中港知識產權有限公司

香港

港灣道 1 號

會展廣場辦公大樓 30 樓 3011 室



[11] 1913566.6

[15] 30-04-2019

[30] 28-02-2019 / CN / 201930080889.2

[51] Cl. 9-03

[54] 包裝內盒

Packing inner box

[73] BEIJING TONG REN TANG INTERNATIONAL NATURAL-PHARM CO., LTD.

北京同仁堂國際藥業有限公司 中國

內地

100176 北京市大興區北京經濟技術開發區

西環南路 8 號 201 室

- [74] 中港知識產權有限公司
香港
港灣道 1 號
會展廣場辦公大樓 30 樓 3011 室



[11] 1913568.0

[15] 30-04-2019

[51] Cl. 26-05

[54] 燈座

Lamp holder

[73] 天裕資源有限公司

TNY RESOURCES LIMITED

Unit 12, 9F, PO LUNG CENTER, BLOCK B,

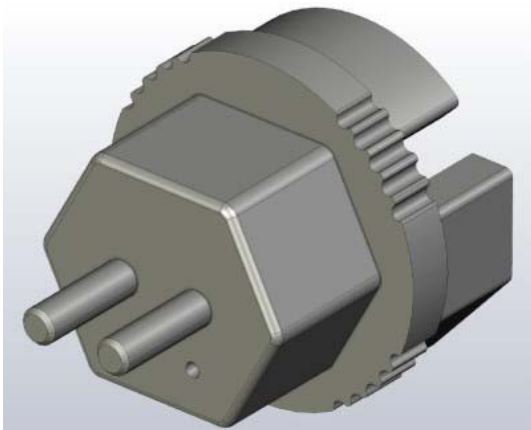
11 WANG CHIU ROAD, KOWLOON BAY, KOWLOON, HONG KONG

[74] ACCOLADE IP LIMITED

10/F, Fu Fai Comm. Ctr.,

27 Hillier Street, Sheung Wan,

HONG KONG



[11] 1913574.2M001

[15] 02-05-2019

[30] 05-11-2018 / EM / 005817103-0001

[51] Cl. 27-99

[54] 氣霧產生裝置

Aerosol generating device

[73] Philip Morris Products S.A.

Quai Jeanrenaud 3

CH-2000 Neuchâtel

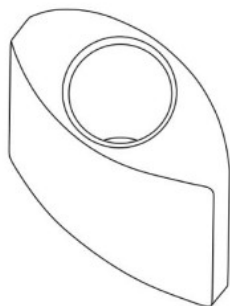
SWITZERLAND

[74] CLT PATENT & TRADEMARK (H.K.) LIMITED

Unit 09, 34/F., Office Tower, Convention Plaza,

No. 1 Harbour Road, Wanchai,

HONG KONG



[11] 1913574.2M002

[15] 02-05-2019

[30] 05-11-2018 / EM / 005817103-0003

[51] Cl. 27-99

[54] 氣霧產生裝置

Aerosol generating device

[73] Philip Morris Products S.A.

Quai Jeanrenaud 3

CH-2000 Neuchâtel

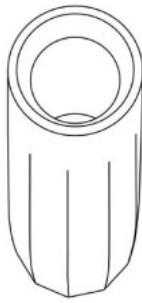
SWITZERLAND

[74] CLT PATENT & TRADEMARK (H.K.) LIMITED

Unit 09, 34/F., Office Tower, Convention Plaza,

No. 1 Harbour Road, Wanchai,

HONG KONG



[11] 1913574.2M003

[15] 02-05-2019

[30] 05-11-2018 / EM / 005817103-0004

[51] Cl. 27-99

[54] 氣霧產生裝置

Aerosol generating device

[73] Philip Morris Products S.A.

Quai Jeanrenaud 3

CH-2000 Neuchâtel

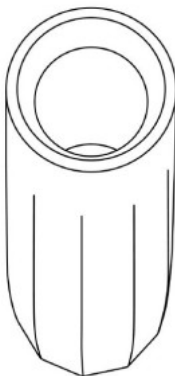
SWITZERLAND

[74] CLT PATENT & TRADEMARK (H.K.) LIMITED

Unit 09, 34/F., Office Tower, Convention Plaza,

No. 1 Harbour Road, Wanchai,

HONG KONG



[11] 1913579.3M001

[15] 03-05-2019

[51] Cl. 11-01

[54] 飾物設計

Ornament design

[73] 金至尊國際有限公司

3D-GOLD INTERNATIONAL COMPANY LIMITED
UNITS 01-09, 17TH FLOOR, PENINSULA SQUARE,
NO.18 SUNG ON STREET, HUNGHOM, KOWLOON, HONG KONG

[74] 3D-GOLD INTERNATIONAL COMPANY LIMITED(ATTN TO IRENE CHEUNG)

UNITS 01-09, 17TH FLOOR, PENINSULA SQUARE,
NO.18 SUNG ON STREET, HUNGHOM,
KOWLOON, HONG KONG



[11] 1913579.3M002

[15] 03-05-2019

[51] Cl. 11-01

[54] 飾物設計

Ornament design

[73] 金至尊國際有限公司

3D-GOLD INTERNATIONAL COMPANY LIMITED
UNITS 01-09, 17TH FLOOR, PENINSULA SQUARE,
NO.18 SUNG ON STREET, HUNGHOM, KOWLOON, HONG KONG

[74] 3D-GOLD INTERNATIONAL COMPANY LIMITED(ATTN TO IRENE CHEUNG)

UNITS 01-09, 17TH FLOOR, PENINSULA SQUARE,
NO.18 SUNG ON STREET, HUNGHOM,
KOWLOON, HONG KONG



[11] 1913579.3M003

[15] 03-05-2019

[51] Cl. 11-01

[54] 飾物設計
Ornament design

[73] 金至尊國際有限公司

3D-GOLD INTERNATIONAL COMPANY LIMITED
UNITS 01-09, 17TH FLOOR, PENINSULA SQUARE,
NO.18 SUNG ON STREET, HUNGHOM, KOWLOON, HONG KONG

[74] 3D-GOLD INTERNATIONAL COMPANY LIMITED(ATTN TO IRENE CHEUNG)
UNITS 01-09, 17TH FLOOR, PENINSULA SQUARE,
NO.18 SUNG ON STREET, HUNGHOM,
KOWLOON, HONG KONG



[11] 1913579.3M004

[15] 03-05-2019

[51] Cl. 11-01

[54] 飾物設計

Ornament design

[73] 金至尊國際有限公司

3D-GOLD INTERNATIONAL COMPANY LIMITED

UNITS 01-09, 17TH FLOOR, PENINSULA SQUARE,

NO.18 SUNG ON STREET, HUNGHOM, KOWLOON, HONG KONG

[74] 3D-GOLD INTERNATIONAL COMPANY LIMITED(ATTN TO IRENE CHEUNG)

UNITS 01-09, 17TH FLOOR, PENINSULA SQUARE,

NO.18 SUNG ON STREET, HUNGHOM,

KOWLOON, HONG KONG



[11] 1913580.5M001

[15] 03-05-2019

[51] Cl. 11-01

[54] 飾物設計

Ornament design

[73] 金至尊國際有限公司

3D-GOLD INTERNATIONAL COMPANY LIMITED

UNITS 01-09, 17TH FLOOR, PENINSULA SQUARE,

NO.18 SUNG ON STREET, HUNGHOM, KOWLOON, HONG KONG

[74] 3D-GOLD INTERNATIONAL COMPANY LIMITED (ATTN TO IRENE CHEUNG)

UNITS 01-09, 17TH FLOOR, PENINSULA SQUARE,

NO. 18 SUNG ON STREET, HUNGHOM,

KOWLOON, HONG KONG



[11] 1913580.5M002

[15] 03-05-2019

[51] Cl. 11-01

[54] 飾物設計

Ornament design

[73] 金至尊國際有限公司

3D-GOLD INTERNATIONAL COMPANY LIMITED

UNITS 01-09, 17TH FLOOR, PENINSULA SQUARE,

NO.18 SUNG ON STREET, HUNGHOM, KOWLOON, HONG KONG

[74] 3D-GOLD INTERNATIONAL COMPANY LIMITED (ATTN TO IRENE CHEUNG)

UNITS 01-09, 17TH FLOOR, PENINSULA SQUARE,

NO. 18 SUNG ON STREET, HUNGHOM,

KOWLOON, HONG KONG



[11] 1913580.5M003

[15] 03-05-2019

[51] Cl. 11-01

[54] 飾物設計

Ornament design

[73] 金至尊國際有限公司

3D-GOLD INTERNATIONAL COMPANY LIMITED

UNITS 01-09, 17TH FLOOR, PENINSULA SQUARE,

NO.18 SUNG ON STREET, HUNGHOM, KOWLOON, HONG KONG

[74] 3D-GOLD INTERNATIONAL COMPANY LIMITED (ATTN TO IRENE CHEUNG)

UNITS 01-09, 17TH FLOOR, PENINSULA SQUARE,

NO. 18 SUNG ON STREET, HUNGHOM,

KOWLOON, HONG KONG



[11] 1913580.5M004

[15] 03-05-2019

[51] Cl. 11-01

[54] 飾物設計

Ornament design

[73] 金至尊國際有限公司

3D-GOLD INTERNATIONAL COMPANY LIMITED

UNITS 01-09, 17TH FLOOR, PENINSULA SQUARE,

NO.18 SUNG ON STREET, HUNGHOM, KOWLOON, HONG KONG

[74] 3D-GOLD INTERNATIONAL COMPANY LIMITED (ATTN TO IRENE CHEUNG)

UNITS 01-09, 17TH FLOOR, PENINSULA SQUARE,

NO. 18 SUNG ON STREET, HUNGHOM,

KOWLOON, HONG KONG



[11] 1913580.5M005

[15] 03-05-2019

[51] Cl. 11-01

[54] 飾物設計

Ornament design

[73] 金至尊國際有限公司

3D-GOLD INTERNATIONAL COMPANY LIMITED
UNITS 01-09, 17TH FLOOR, PENINSULA SQUARE,
NO.18 SUNG ON STREET, HUNGHOM, KOWLOON, HONG KONG

[74] 3D-GOLD INTERNATIONAL COMPANY LIMITED (ATTN TO IRENE CHEUNG)

UNITS 01-09, 17TH FLOOR, PENINSULA SQUARE,
NO. 18 SUNG ON STREET, HUNGHOM,
KOWLOON, HONG KONG



[11] 1913580.5M006

[15] 03-05-2019

[51] Cl. 11-01

[54] 飾物設計

Ornament design

[73] 金至尊國際有限公司

3D-GOLD INTERNATIONAL COMPANY LIMITED

UNITS 01-09, 17TH FLOOR, PENINSULA SQUARE,

NO.18 SUNG ON STREET, HUNGHOM, KOWLOON, HONG KONG

[74] 3D-GOLD INTERNATIONAL COMPANY LIMITED (ATTN TO IRENE CHEUNG)

UNITS 01-09, 17TH FLOOR, PENINSULA SQUARE,

NO. 18 SUNG ON STREET, HUNGHOM,

KOWLOON, HONG KONG



[11] 1913582.9M001

[15] 03-05-2019

[30] 05-11-2018 / DE / 40 2018 101 128.2

[51] Cl. 12-08

[54] 汽車

Motor vehicle

[73] VOLKSWAGEN AKTIENGESELLSCHAFT

38436 WOLFSBURG

GERMANY

[74] CHINA PATENT AGENT (HONG KONG) LIMITED

22/F, Great Eagle Centre, 23 Harbour Road, Wanchai

HONG KONG



[11] 1913582.9M002

[15] 03-05-2019

[30] 05-11-2018 / DE / 402018101128.2

[51] Cl. 12-08

[54] 汽車

Motor vehicle

[73] VOLKSWAGEN AKTIENGESELLSCHAFT

38436 WOLFSBURG

GERMANY

[74] CHINA PATENT AGENT (HONG KONG) LIMITED

22/F, Great Eagle Centre, 23 Harbour Road, Wanchai

HONG KONG



[11] 1913582.9M003

[15] 03-05-2019

[30] 05-11-2018 / DE / 402018101128.2

[51] Cl. 12-08

[54] 汽車

Motor vehicle

[73] VOLKSWAGEN AKTIENGESELLSCHAFT

38436 WOLFSBURG

GERMANY

[74] CHINA PATENT AGENT (HONG KONG) LIMITED

22/F, Great Eagle Centre, 23 Harbour Road, Wanchai

HONG KONG



[11] 1913586.8M001

[15] 06-05-2019

[30] 07-11-2018 / CN / 201830628658.6

[51] Cl. 14-03

[54] 手機

Mobile phone

[73] 北京小米移動軟件有限公司

Beijing Xiaomi Mobile Software Co., Ltd.

中國內地 北京市海澱區清河

中街 68 號

華潤五彩城購物中心二期 9 層 01 房間

[74] 隆天專利商標代理有限公司

香港

九龍青山道 485 號

九龍廣場 10 樓 11 室



[11] 1913586.8M002

[15] 06-05-2019

[30] 07-11-2018 / CN / 201830628658.6

[51] Cl. 14-03

- [54] 手機
Mobile phone
- [73] 北京小米移動軟件有限公司
Beijing Xiaomi Mobile Software Co., Ltd.
中國內地 北京市海澱區清河
中街 68 號
華潤五彩城購物中心二期 9 層 01 房間
- [74] 隆天專利商標代理有限公司
香港
九龍青山道 485 號
九龍廣場 10 樓 11 室



-
- [11] 1913586.8M003
- [15] 06-05-2019
- [30] 07-11-2018 / CN / 201830628658.6
- [51] Cl. 14-03
- [54] 手機
Mobile phone
- [73] 北京小米移動軟件有限公司
Beijing Xiaomi Mobile Software Co., Ltd.
中國內地 北京市海澱區清河
中街 68 號
華潤五彩城購物中心二期 9 層 01 房間
- [74] 隆天專利商標代理有限公司
香港
九龍青山道 485 號
九龍廣場 10 樓 11 室



[11] 1913586.8M004

[15] 06-05-2019

[30] 07-11-2018 / CN / 201830628658.6

[51] Cl. 14-03

[54] 手機

Mobile phone

[73] 北京小米移動軟件有限公司

Beijing Xiaomi Mobile Software Co., Ltd.

中國內地 北京市海澱區清河

中街 68 號

華潤五彩城購物中心二期 9 層 01 房間

[74] 隆天專利商標代理有限公司

香港

九龍青山道 485 號

九龍廣場 10 樓 11 室



[11] 1913586.8M005

[15] 06-05-2019

[30] 07-11-2018 / CN / 201830628658.6

[51] Cl. 14-03

[54] 手機

Mobile phone

[73] 北京小米移動軟件有限公司

Beijing Xiaomi Mobile Software Co., Ltd.

中國內地 北京市海澱區清河

中街 68 號

華潤五彩城購物中心二期 9 層 01 房間

[74] 隆天專利商標代理有限公司

香港

九龍青山道 485 號

九龍廣場 10 樓 11 室



[11] 1913586.8M006

[15] 06-05-2019

[30] 07-11-2018 / CN / 201830628658.6

[51] Cl. 14-03

[54] 手機

Mobile phone

[73] 北京小米移動軟件有限公司

Beijing Xiaomi Mobile Software Co., Ltd.

中國內地 北京市海澱區清河

中街 68 號

華潤五彩城購物中心二期 9 層 01 房間

[74] 隆天專利商標代理有限公司

香港

九龍青山道 485 號

九龍廣場 10 樓 11 室



[11] 1913587.0

[15] 06-05-2019

[51] Cl. 9-05

[54] 用於飲品膠囊的支架

Supporting frame for a beverage capsule

[73] Lify Company Limited

16C, Tower 3

The Austin, 8 Wui Cheung Road, Kowloon

HONG KONG

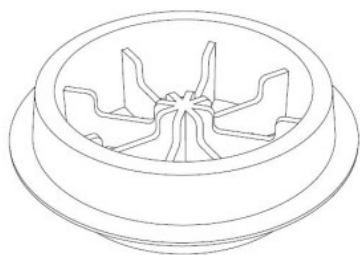
[74] BARRON & YOUNG INTELLECTUAL PROPERTY LIMITED

Suite 617, Lakeside 2

No. 10 Science Park West Avenue, Hong Kong Science Park,

Shatin, N.T.

HONG KONG



[11] 1913588.2

[15] 07-05-2019

[30] 26-11-2018 / EU, MC, CA, IS, JP, LI, OM, KR, SG, CH, UA, GB,
TR, RU / DM/200601

[51] Cl. 10-02

[54] 手錶

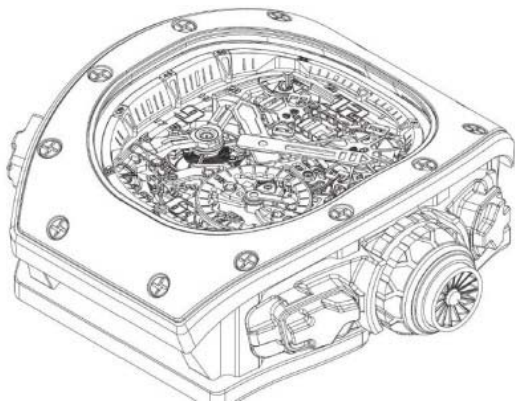
Watch

[73] Turlen Holding SA

Rue du Jura 11,
2345 Les Breuleux,
SWITZERLAND

[74] WILKINSON & GRIST

6th Floor, Prince's Building
Chater Road,
HONG KONG



[11] 1913590.6

[15] 07-05-2019

[51] Cl. 12-07

[54] 無人機

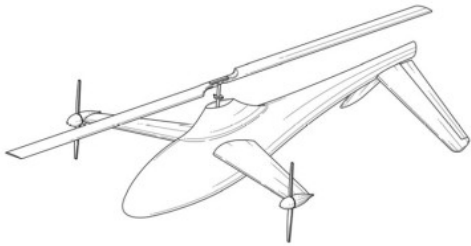
Unmanned aerial vehicle

[73] 重慶兩江飛機設計研究院有限公司

Chong Qing Liang Jiang Aircraft Design Institute Ltd.
No.618 Liang Jiang Avenue
Long Xing County, Yubei District, 401135, Chong Qing,
CHINA

[74] UNITALEN ATTORNEYS AT LAW LIMITED

RM 1201, 12/F,
GOLDEN ERA PLAZA,
39-55 SAI YEE ST, MONGKOK KLN
HONG KONG



[11] 1913591.8M001

[15] 07-05-2019

[51] Cl. 11-01

[54] 飾物設計

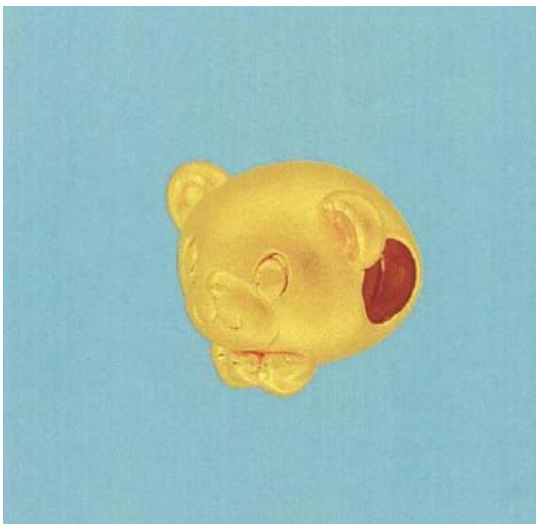
Ornament Design

[73] 金至尊國際有限公司

3D-GOLD INTERNATIONAL COMPANY LIMITED
UNITS 01-09, 17TH FLOOR, PENINSULA SQUARE,
NO.18 SUNG ON STREET, HUNGHOM, KOWLOON
HONG KONG

[74] 3D-GOLD INTERNATIONAL COMPANY LIMITED (ATTN TO IRENE CHEUNG)

UNITS 01-09, 17TH FLOOR, PENINSULA SQUARE,
NO. 18 SUNG ON STREET, HUNGHOM, KOWLOON, HONG KONG



[11] 1913591.8M002

[15] 07-05-2019

[51] Cl. 11-01

[54] 飾物設計

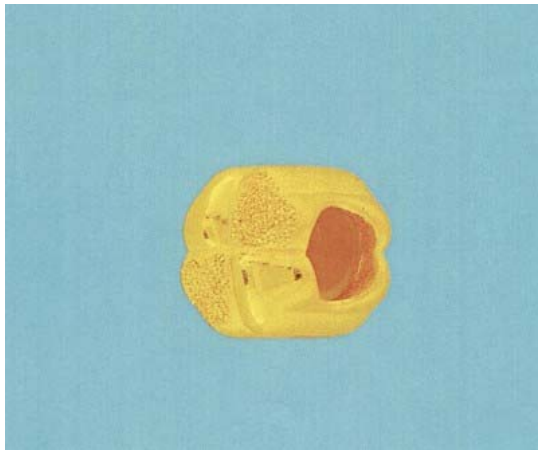
Ornament Design

[73] 金至尊國際有限公司

3D-GOLD INTERNATIONAL COMPANY LIMITED
UNITS 01-09, 17TH FLOOR, PENINSULA SQUARE,
NO.18 SUNG ON STREET, HUNGHOM, KOWLOON
HONG KONG

[74] 3D-GOLD INTERNATIONAL COMPANY LIMITED (ATTN TO IRENE CHEUNG)

UNITS 01-09, 17TH FLOOR, PENINSULA SQUARE,
NO. 18 SUNG ON STREET, HUNGHOM, KOWLOON, HONG KONG



[11] 1913614.8

[15] 10-05-2019

[51] Cl. 21-01

[54] 玩具

Toy

[73] Elrow International Limited

1 Red Lion Court,
London, EC4A 3EB
UNITED KINGDOM

[74] DEACONS

5th Floor, Alexandra House
Central
HONG KONG



[11] 1913687.2M001

[15] 21-05-2019

[30] 21-11-2018 / US / 29/670,949

[51] Cl. 15-99

[54] 水耕系統

Hydroponic system

[73] Joseph Craig

16215 Riverbirch Drive

Marysville 43040, OH

UNITED STATES

Bradley Schultz

8578 Liberty Road,

Powell 430065, OH

UNITED STATES

Angie Gray

14310 Scottslawn Road

Marysville 43041, OH

UNITED STATES

Whitney Maiden

14310 Scottslawn Road

Marysville 43041, OH

UNITED STATES

Ryan Berger

100 S. Hamilton Road

Columbus 43213, OH

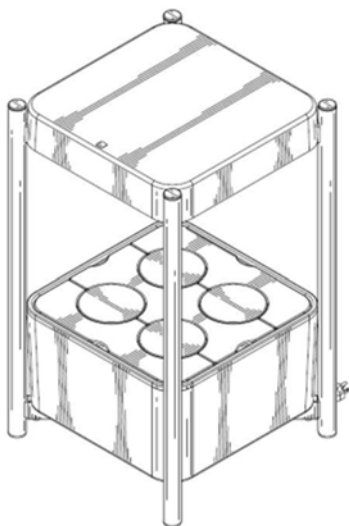
UNITED STATES

Sean Montag

100 S. Hamilton Road

Columbus 43213, OH
UNITED STATES

[74] WENPING & CO
1701 Tung Wai Commercial Building,
111 Gloucester Road,
HONG KONG



[11] 1913687.2M002

[15] 21-05-2019

[30] 21-11-2018 / US / 29/670,949

[51] Cl. 15-99

[54] 水耕系統

Hydroponic system

[73] Joseph Craig
16215 Riverbirch Drive
Marysville 43040, OH
UNITED STATES

Bradley Schultz
8578 Liberty Road,
Powell 430065, OH
UNITED STATES

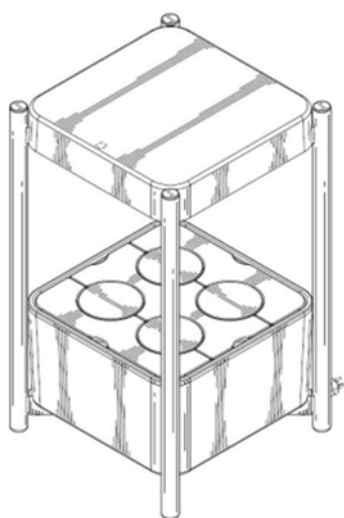
Angie Gray
14310 Scottslawn Road
Marysville 43041, OH
UNITED STATES

Whitney Maiden
14310 Scottslawn Road
Marysville 43041, OH
UNITED STATES

Ryan Berger
100 S. Hamilton Road
Columbus 43213, OH
UNITED STATES

Sean Montag
100 S. Hamilton Road
Columbus 43213, OH
UNITED STATES

[74] WENPING & CO
1701 Tung Wai Commercial Building,
111 Gloucester Road,
HONG KONG



[11] 1913687.2M003

[15] 21-05-2019

[30] 21-11-2018 / US / 29/670,949

[51] Cl. 15-99

[54] 水耕系統
Hydroponic system

[73] Joseph Craig
16215 Riverbirch Drive
Marysville 43040, OH
UNITED STATES

Bradley Schultz
8578 Liberty Road,
Powell 430065, OH
UNITED STATES

Angie Gray

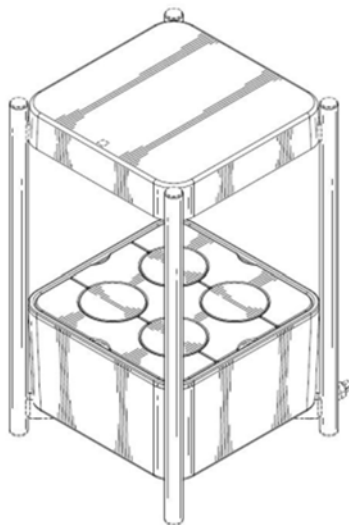
14310 Scottslawn Road
Marysville 43041, OH
UNITED STATES

Whitney Maiden
14310 Scottslawn Road
Marysville 43041, OH
UNITED STATES

Ryan Berger
100 S. Hamilton Road
Columbus 43213, OH
UNITED STATES

Sean Montag
100 S. Hamilton Road
Columbus 43213, OH
UNITED STATES

[74] WENPING & CO
1701 Tung Wai Commercial Building,
111 Gloucester Road,
HONG KONG



[11] 1913687.2M004

[15] 21-05-2019

[30] 21-11-2018 / US / 29/670,949

[51] Cl. 15-99

[54] 水耕系統

Hydroponic system

[73] Joseph Craig

16215 Riverbirch Drive

Marysville 43040, OH

UNITED STATES

Bradley Schultz
8578 Liberty Road,
Powell 430065, OH
UNITED STATES

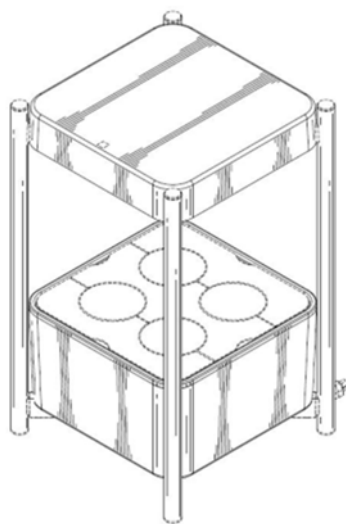
Angie Gray
14310 Scottslawn Road
Marysville 43041, OH
UNITED STATES

Whitney Maiden
14310 Scottslawn Road
Marysville 43041, OH
UNITED STATES

Ryan Berger
100 S. Hamilton Road
Columbus 43213, OH
UNITED STATES

Sean Montag
100 S. Hamilton Road
Columbus 43213, OH
UNITED STATES

[74] WENPING & CO
1701 Tung Wai Commercial Building,
111 Gloucester Road,
HONG KONG



[11] 1913687.2M005

[15] 21-05-2019

[30] 21-11-2018 / US / 29/670,949

[51] Cl. 15-99

[54] 水耕系統

Hydroponic system

[73] Joseph Craig

16215 Riverbirch Drive

Marysville 43040, OH

UNITED STATES

Bradley Schultz

8578 Liberty Road,

Powell 430065, OH

UNITED STATES

Angie Gray

14310 Scottslawn Road

Marysville 43041, OH

UNITED STATES

Whitney Maiden

14310 Scottslawn Road

Marysville 43041, OH

UNITED STATES

Ryan Berger

100 S. Hamilton Road

Columbus 43213, OH

UNITED STATES

Sean Montag

100 S. Hamilton Road

Columbus 43213, OH

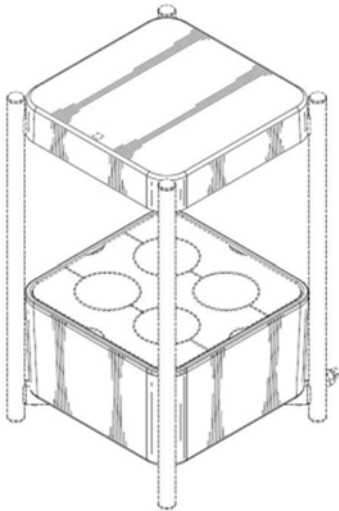
UNITED STATES

[74] WENPING & CO

1701 Tung Wai Commercial Building,

111 Gloucester Road,

HONG KONG



[11] 1913701.3M007

[15] 22-05-2019

[30] 03-12-2018 / EU, MC, IS, JP, LI, OM, KR, SG, CH, UA, GB, TR,
RU / 970003099

[51] Cl. 10-02

[54] 手錶

Watch

[73] Turlen Holding SA
Rue du Jura 11,
2345 Les Breuleux,
SWITZERLAND

[74] WILKINSON & GRIST
6th Floor, Prince's Building
Chater Road
HONG KONG



[11] 1913701.3M008

[15] 22-05-2019

[30] 03-12-2018 / EU, MC, IS, JP, LI, OM, KR, SG, CH, UA, GB, TR,
RU / 970003099

[51] Cl. 10-02

[54] 手錶

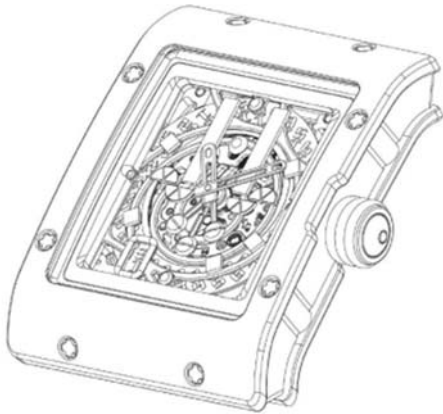
Watch

[73] Turlen Holding SA

Rue du Jura 11,
2345 Les Breuleux,
SWITZERLAND

[74] WILKINSON & GRIST

6th Floor, Prince's Building
Chater Road
HONG KONG



[11] 1913701.3M009

[15] 22-05-2019

[30] 03-12-2018 / EU, MC, IS, JP, LI, OM, KR, SG, CH, UA, GB, TR,
RU / 970003099

[51] Cl. 10-02

[54] 手錶

Watch

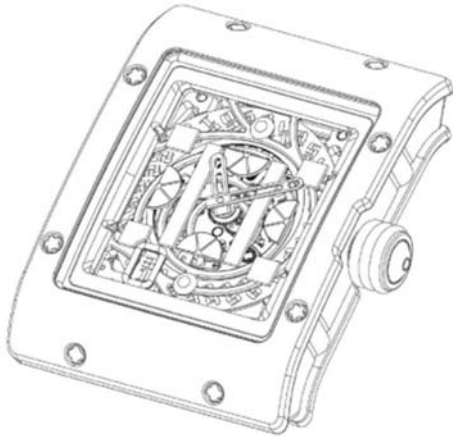
[73] Turlen Holding SA

Rue du Jura 11,
2345 Les Breuleux,
SWITZERLAND

[74] WILKINSON & GRIST

6th Floor, Prince's Building

Chater Road
HONG KONG



[11] 1913701.3M010

[15] 22-05-2019

[30] 03-12-2018 / EU, MC, IS, JP, LI, OM, KR, SG, CH, UA, GB, TR,
RU / 970003099

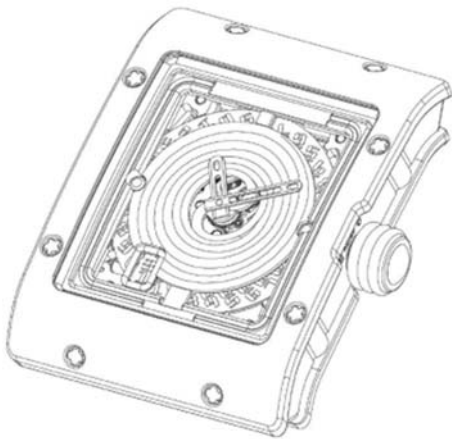
[51] Cl. 10-02

[54] 手錶

Watch

[73] Turlen Holding SA
Rue du Jura 11,
2345 Les Breuleux,
SWITZERLAND

[74] WILKINSON & GRIST
6th Floor, Prince's Building
Chater Road
HONG KONG



[11] 1913705.2M001

[15] 22-05-2019

[51] Cl. 21-01

[54] 玩具雀

Toy bird

[73] 銀輝號有限公司

SILVERLIT LIMITED

Room 1704, World Trade Centre,
280 Gloucester Road, Causeway Bay,
HONG KONG

[74] SILVERLIT LIMITED

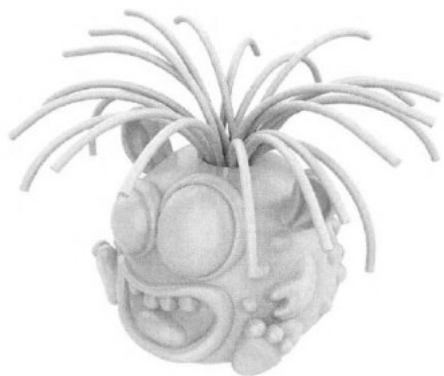
Room 1704, World Trade Centre,
80 Gloucester Road, Causeway Bay,
HONG KONG



- [11] 1913705.2M002
[15] 22-05-2019
[51] Cl. 21-01
[54] 玩具貓
Toy cat
[73] 銀輝號有限公司
SILVERLIT LIMITED
Room 1704, World Trade Centre,
280 Gloucester Road, Causeway Bay,
HONG KONG
[74] SILVERLIT LIMITED
Room 1704, World Trade Centre,
80 Gloucester Road, Causeway Bay,
HONG KONG



-
- [11] 1913705.2M003
[15] 22-05-2019
[51] Cl. 21-01
[54] 玩具
Toy
[73] 銀輝號有限公司
SILVERLIT LIMITED
Room 1704, World Trade Centre,
280 Gloucester Road, Causeway Bay,
HONG KONG
[74] SILVERLIT LIMITED
Room 1704, World Trade Centre,
80 Gloucester Road, Causeway Bay,
HONG KONG



[11] 1913705.2M004

[15] 22-05-2019

[51] Cl. 21-01

[54] 玩具

Toy

[73] 銀輝號有限公司

SILVERLIT LIMITED

Room 1704, World Trade Centre,

280 Gloucester Road, Causeway Bay,

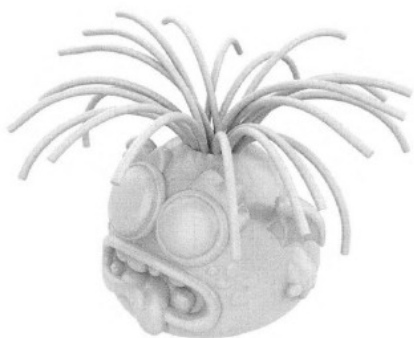
HONG KONG

[74] SILVERLIT LIMITED

Room 1704, World Trade Centre,

80 Gloucester Road, Causeway Bay,

HONG KONG



[11] 1913705.2M005

[15] 22-05-2019

[51] Cl. 21-01

[54] 玩具

Toy

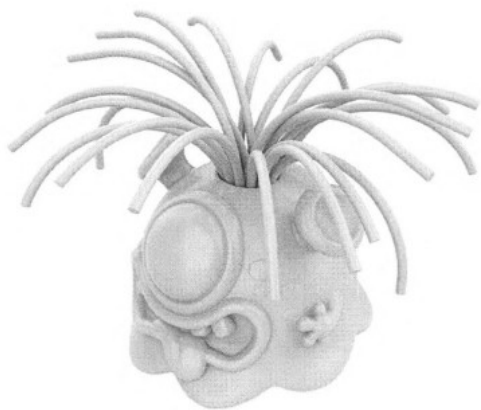
[73] 銀輝號有限公司

SILVERLIT LIMITED

Room 1704, World Trade Centre,
280 Gloucester Road, Causeway Bay,
HONG KONG

[74] SILVERLIT LIMITED

Room 1704, World Trade Centre,
80 Gloucester Road, Causeway Bay,
HONG KONG



[11] 1913771.0M001

[15] 29-05-2019

[51] Cl. 21-01

[54] 玩具工程火車

Toy construction train

[73] 集美塑膠玩具製品廠有限公司

CHAP MEI PLASTIC TOYS MFY LTD.

Unit 541, 5/F., Sino Industrial Plaza

9 Kai Cheung Road, Kowloon Bay, Kowloon

HONG KONG

[74] BENNY KONG & TSAI

Unit 19B, Overseas Trust Bank Building

No. 160 Gloucester Road, Wanchai

HONG KONG



[11] 1913771.0M002

[15] 29-05-2019

[51] Cl. 21-01

[54] 玩具要塞吉普車

Toy fortress jeep

[73] 集美塑膠玩具製品廠有限公司

CHAP MEI PLASTIC TOYS MFY LTD.

Unit 541, 5/F., Sino Industrial Plaza

9 Kai Cheung Road, Kowloon Bay, Kowloon

HONG KONG

[74] BENNY KONG & TSAI

Unit 19B, Overseas Trust Bank Building

No. 160 Gloucester Road, Wanchai

HONG KONG



[11] 1913771.0M003

[15] 29-05-2019

[51] Cl. 21-01

[54] 玩具田螺車

Toy cement mixer

[73] 集美塑膠玩具製品廠有限公司

CHAP MEI PLASTIC TOYS MFY LTD.

Unit 541, 5/F., Sino Industrial Plaza

9 Kai Cheung Road, Kowloon Bay, Kowloon

HONG KONG

[74] BENNY KONG & TSAI

Unit 19B, Overseas Trust Bank Building

No. 160 Gloucester Road, Wanchai

HONG KONG



[11] 1913771.0M004

[15] 29-05-2019

[51] Cl. 21-01

[54] 玩具戰機

Toy fighter jet

[73] 集美塑膠玩具製品廠有限公司

CHAP MEI PLASTIC TOYS MFY LTD.

Unit 541, 5/F., Sino Industrial Plaza

9 Kai Cheung Road, Kowloon Bay, Kowloon

HONG KONG

[74] BENNY KONG & TSAI

Unit 19B, Overseas Trust Bank Building

No. 160 Gloucester Road, Wanchai

HONG KONG



[11] 1913771.0M005

[15] 29-05-2019

[51] Cl. 21-01

[54] 玩具垃圾分類車

Toy garbage recycling truck

[73] 集美塑膠玩具製品廠有限公司

CHAP MEI PLASTIC TOYS MFY LTD.

Unit 541, 5/F., Sino Industrial Plaza

9 Kai Cheung Road, Kowloon Bay, Kowloon

HONG KONG

[74] BENNY KONG & TSAI

Unit 19B, Overseas Trust Bank Building

No. 160 Gloucester Road, Wanchai

HONG KONG



[11] 1913771.0M006

[15] 29-05-2019

[51] Cl. 21-01

[54] 玩具鯊魚形車

Toy shark shaped truck

[73] 集美塑膠玩具製品廠有限公司

CHAP MEI PLASTIC TOYS MFY LTD.

Unit 541, 5/F., Sino Industrial Plaza

9 Kai Cheung Road, Kowloon Bay, Kowloon

HONG KONG

[74] BENNY KONG & TSAI

Unit 19B, Overseas Trust Bank Building

No. 160 Gloucester Road, Wanchai

HONG KONG



[11] 1913771.0M007

[15] 29-05-2019

[51] Cl. 21-01

[54] 玩具恐龍車

Toy dino truck

[73] 集美塑膠玩具製品廠有限公司

CHAP MEI PLASTIC TOYS MFY LTD.

Unit 541, 5/F., Sino Industrial Plaza

9 Kai Cheung Road, Kowloon Bay, Kowloon

HONG KONG

[74] BENNY KONG & TSAI

Unit 19B, Overseas Trust Bank Building

No. 160 Gloucester Road, Wanchai

HONG KONG



[11] 1913771.0M008

[15] 29-05-2019

[51] Cl. 21-01

[54] 玩具鬍鬚消防員

Toy bearded fire fighter

[73] 集美塑膠玩具製品廠有限公司

CHAP MEI PLASTIC TOYS MFY LTD.

Unit 541, 5/F., Sino Industrial Plaza
9 Kai Cheung Road, Kowloon Bay, Kowloon
HONG KONG

[74] BENNY KONG & TSAI

Unit 19B, Overseas Trust Bank Building
No. 160 Gloucester Road, Wanchai
HONG KONG



[11] 1913771.0M009

[15] 29-05-2019

[51] Cl. 21-01

[54] 玩具磁盤賽車

Toy magnetic disc racer

[73] 集美塑膠玩具製品廠有限公司

CHAP MEI PLASTIC TOYS MFY LTD.

Unit 541, 5/F., Sino Industrial Plaza
9 Kai Cheung Road, Kowloon Bay, Kowloon
HONG KONG

[74] BENNY KONG & TSAI

Unit 19B, Overseas Trust Bank Building
No. 160 Gloucester Road, Wanchai
HONG KONG



[11] 1913771.0M010

[15] 29-05-2019

[51] Cl. 21-01

[54] 玩具繫帶機師

Toy strappings gear pilot

[73] 集美塑膠玩具製品廠有限公司

CHAP MEI PLASTIC TOYS MFY LTD.

Unit 541, 5/F., Sino Industrial Plaza

9 Kai Cheung Road, Kowloon Bay, Kowloon

HONG KONG

[74] BENNY KONG & TSAI

Unit 19B, Overseas Trust Bank Building

No. 160 Gloucester Road, Wanchai

HONG KONG



[11] 1913771.0M011

[15] 29-05-2019

[51] Cl. 21-01

[54] 玩具工程火車頭

Toy construction train head

[73] 集美塑膠玩具製品廠有限公司

CHAP MEI PLASTIC TOYS MFY LTD.
Unit 541, 5/F., Sino Industrial Plaza
9 Kai Cheung Road, Kowloon Bay, Kowloon
HONG KONG

[74] BENNY KONG & TSAI

Unit 19B, Overseas Trust Bank Building
No. 160 Gloucester Road, Wanchai
HONG KONG



[11] 1913941.1

[15] 11-06-2019

[30] 17-12-2018 / DE / 40 2018 101 274.2

[51] Cl. 21-01

[54] 玩具或比例模型車

Toy or scale model vehicle

[73] Bayerische Motoren Werke Aktiengesellschaft

Petuelring 130
80809 Muenchen
GERMANY

[74] HASTINGS & CO

5/F Gloucester Tower, The Landmark,
11 Pedder Street, Central,
HONG KONG



[11] 1913943.5

[15] 11-06-2019

[51] Cl. 21-01

[54] 玩具槍

Toy gun

[73] Buzz Bee Toys (HK) Co., Limited

Units 1206-1208, Tower B, New Mandarin Plaza,
14 Science Museum Road, Tsim Sha Tsui East,
Kowloon, HONG KONG

[74] INCOMPASS IP LIMITED

532B, 5/F, Core Building 2, Phase One,
Hong Kong Science Park, Pak Shek Kok,
HONG KONG



[11] 1913944.7

[15] 11-06-2019

[51] Cl. 21-01

[54] 玩具槍

Toy gun

[73] Buzz Bee Toys (HK) Co., Limited

Units 1206-1208, Tower B, New Mandarin Plaza,
14 Science Museum Road, Tsim Sha Tsui East,
Kowloon, HONG KONG

[74] INCOMPASS IP LIMITED

532B, 5/F, Core Building 2, Phase One,
Hong Kong Science Park, Pak Shek Kok,
HONG KONG



[11] 1913946.2

[15] 11-06-2019

[51] Cl. 21-01

[54] 玩具槍

Toy gun

[73] Buzz Bee Toys (HK) Co., Limited

Units 1206-1208, Tower B, New Mandarin Plaza,
14 Science Museum Road, Tsim Sha Tsui East,
Kowloon, HONG KONG

[74] INCOMPASS IP LIMITED

532B, 5/F, Core Building 2, Phase One,
Hong Kong Science Park, Pak Shek Kok,
HONG KONG



[11] 1913947.4

[15] 12-06-2019

[30] 13-12-2018 / EU / 005888435

[51] Cl. 21-01

[54] 玩具車

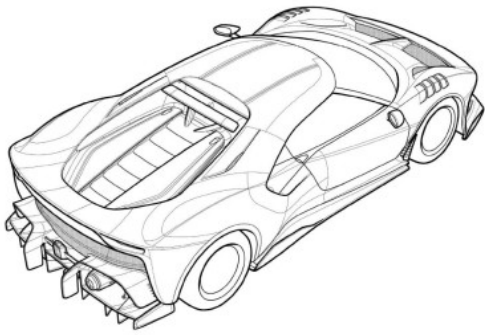
Toy car

[73] FERRARI S.p.A.

VIA EMILIA EST 1163,
I-41100 MODENA,
ITALY

[74] CHINA PATENT AGENT (HONG KONG) LIMITED

22/F, Great Eagle Centre, 23 Harbour Road,
Wanchai
HONG KONG



[11] 1914077.9

[15] 25-06-2019

[51] Cl. 21-01

[54] 兒童布料圖書

Children cloth book

[73] 騰意嘉文化用品(廣州)有限公司

中國內地

廣州市番禺區橋南街草河工業區 南

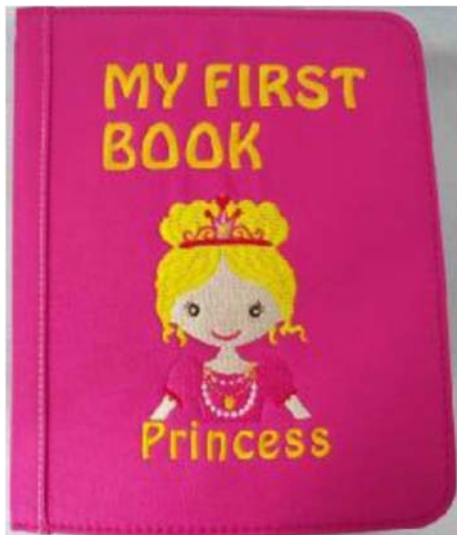
二排 1 號 201

[74] QIHONG INTERNATIONAL BUSINESS LIMITED

香港

灣仔灣仔道 165-171 號 樂

基中心 14 樓 1405C



[11] 1914087.0

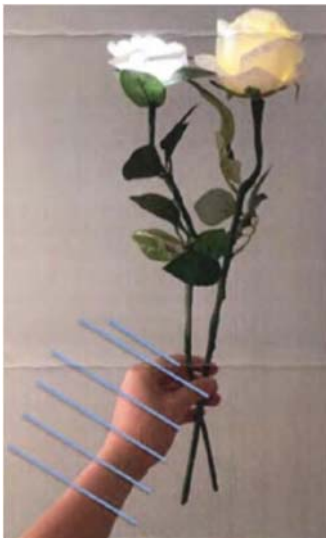
[15] 27-06-2019

[51] Cl. 11-02

[54] 流動發光花
Portable light flower

[73] 盧佩盈
Lou Pui Ying
香港 將軍澳厚
德村
德康樓 3 樓 304 室

[74] Lou Pui Ying
香港 將軍澳厚
德村
德康樓 3 樓 304 室





香港特別行政區政府知識產權署外觀設計註冊處

The Government of the Hong Kong Special Administrative Region

Designs Registry, Intellectual Property Department

根據註冊外觀設計條例第28條，下列註冊外觀設計因未繳續期費而停止有效。各組記項按註冊外觀設計停止有效日期及註冊編號先後次序排列。

Registered designs ceased through non-payment of renewal fees under section 28 of the Registered Designs Ordinance. Entries are listed below under their expiry dates.

20-09-2019 - 25-09-2019

20-09-2019		1401816.8
0901532.8M002	23-09-2019	1401817.0
0901532.8M003	0412183.4	1401819.4M001
0901533.0	0412184.6	1401819.4M002
0901534.2	0412188.5M001	1401819.4M003
0901536.7	0901562.1	1401819.4M004
	0901565.8M002	1401820.6
21-09-2019	0901567.2	
0412165.7	1401775.0	
1401736.8	1401776.2M001	
1401737.0M001	1401776.2M002	
1401737.0M002	1401776.2M003	
1401737.0M003	9911272.6	
1401739.4		
1401740.6	24-09-2019	
1401746.9	0901569.6	
9911259.9	0901570.8	
	0901573.4	
22-09-2019	1401780.0	
0901550.6M001	1401781.2	
0901550.6M002	1401783.6M001	
0901556.9M001	1401783.6M002	
0901556.9M003	1401784.8	
1401748.3	1401785.1	
1401759.6M003	1401786.3	
1401759.6M004		
1401759.6M005	25-09-2019	
1401760.8	1401806.7	
1401761.0M001	1401807.9	
1401761.0M002	1401809.3	
1401761.0M003	1401810.5	
1401762.2	1401811.7	
1401764.6	1401812.9	
1401766.1	1401813.1	



香港特別行政區政府知識產權署外觀設計註冊處

The Government of the Hong Kong Special Administrative Region

Designs Registry, Intellectual Property Department

根據註冊外觀設計規則第 31 條刪除的註冊外觀設計。各組記項按註冊外觀設計 刪除日期及註冊編號先後次序排列。

Registered designs removed under section 31 of the Registered Designs Rules. Entries are listed below under their removal dates.

27-09-2019 - 03-10-2019

27-09-2019	1400514.6	0410679.5M001
0900438.7M002		0410679.5M002
0900439.9	28-09-2019	0410679.5M003
0900440.1	1400515.9	0410679.5M004
0900441.3	1400520.9M001	0900468.0
0900444.9M001	1400520.9M002	1400539.9M001
0900444.9M002	1400520.9M003	1400539.9M002
0900446.4M001		1400544.9
0900446.4M002	29-09-2019	1400545.2
0900449.0	0410641.5	1400546.4
1400501.9	0410642.7	1400547.6M001
1400504.5M001		1400547.6M002
1400504.5M002	30-09-2019	1400548.8
1400504.5M003	0900454.0	9910354.9
1400504.5M004	0900455.3	
1400504.5M005	0900456.5M001	03-10-2019
1400504.5M006	0900456.5M002	0410683.3
1400504.5M007	0900456.5M003	0900475.5
1400504.5M008	0900459.1	0900476.7M001
1400504.5M009		0900476.7M003
1400504.5M010	01-10-2019	0900476.7M004
1400504.5M011	0410675.7	0900476.7M005
1400505.8M001	0900466.6M001	0900476.7M006
1400505.8M002	0900466.6M002	0900476.7M007
1400506.0	1400529.8M002	0900476.7M008
1400507.2	1400529.8M003	0900476.7M009
1400508.4	1400529.8M004	0900476.7M010
1400509.6M001	1400531.2M001	0900476.7M011
1400509.6M002	1400531.2M002	0900476.7M012
1400510.8	1400532.4M001	0900476.7M013
1400511.0M001	1400532.4M002	0900476.7M014
1400511.0M002	1400533.6	0900476.7M015
1400512.2		0900476.7M016
1400513.4	02-10-2019	0900476.7M017

0900483.1
0900484.3
1400549.0
1400550.2
1400551.4M001
1400551.4M002
1400551.4M003
1400552.6
1400556.5
1400558.9M001
1400558.9M002
1400559.1M001
1400559.1M002
1400559.1M003
1400559.1M004