

香港知識產權公報

Hong Kong Intellectual Property Journal

2021年2月19日
19 February 2021

目錄 Contents

根據註冊外觀設計條例第 25 條註冊的外觀設計

Designs Registered under section 25 of the Registered Designs Ordinance

按註冊編號排列

Arranged by Registration Number

根據註冊外觀設計條例(第 522 章)公布的其他公告

Other Notices Published under the Registered Designs Ordinance (Cap. 522)

根據註冊外觀設計條例第 28 條，註冊外觀設計因未繳續期費而停止有效

Registered designs ceased through non-payment of renewal fees under section 28 of the Registered Designs Ordinance

根據註冊外觀設計規則第 31 條刪除的註冊外觀設計

Registered designs removed under section 31 of the Registered Designs Rules

以下事項沒有記錄

No Records for the Following Matters

根據註冊外觀設計條例第 30 條放棄的外觀設計的註冊

Surrender of Registration of Design under section 30 of the Registered Designs Ordinance

根據註冊外觀設計規則第 37 條，向處長作出轉介

Reference to Registrar under section 37 of the Registered Designs Rules

根據註冊外觀設計條例第 45 條，撤銷註冊

Revocation of Registration under section 45 of the Registered Designs Ordinance

根據註冊外觀設計規則第 46 條，向法院作出轉介

Reference to Court under section 46 of the Registered Designs Rules

根據註冊外觀設計規則第 63 條對不符合規定之處作出糾正

Rectification of Irregularities under section 63 of the Registered Designs Rules

根據註冊外觀設計條例第 66 條，糾正註冊紀錄冊

Rectification of Register under section 66 of the Registered Designs Ordinance

根據註冊外觀設計條例第 67 條 更正註冊紀錄冊內的錯誤

Correction of errors in Register under section 67 of the Registered Designs Ordinance

根據註冊外觀設計條例第 67 及 76 條，更正註冊紀錄冊內及已提交文件中的錯誤

Correction of Errors in Register and in Filed Documents under sections 67 and 76 of the Registered Designs Ordinance

根據註冊外觀設計條例第 76 條，更正已提交文件中的錯誤

Correction of errors in filed documents under section 76 of the Registered Designs Ordinance

勘誤

Corrigendum

註冊外觀設計公告註釋

Notes on advertisements of registration of designs

方括號表示下列資料：

Square brackets indicate the following data：

[11] 註冊編號 Registration number / 聯合王國註冊編號 United Kingdom registration number

[15] 註冊日期 Registration date / 當作註冊日期 Deemed registration date / 聯合王國註冊日期 United Kingdom registration date

[17] 註冊有效期屆滿日期 Expiry date of the period of registration

[22] 提交日期 Filing date / 當作提交日期 Deemed filing date / 聯合王國提交日期 United Kingdom filing date

[30] 聲稱享有的優先權（提交日期 / 巴黎公約國或世界貿易組織成員 / 申請編號） Priority claimed (filing date / Paris Convention country or WTO member / application number)

[51] 國際外觀設計分類號（洛迦諾分類號） International Classification of designs (Locarno Classification)

[54] 物品 Article

[55] 外觀設計的表述 Representation of the design

[62] 分開前的申請編號及提交日期 Application number before division and filing date

[66] 過往註冊的聯繫外觀設計註冊編號 / 日期 Registration No. / Date of Previous Registration for Association

[72] 設計人 Designer

[73] 擁有人姓名和地址 Name and address of the owner

[74] 代理人 Agent /送達地址 Address for service



香港特別行政區政府知識產權署外觀設計註冊處

The Government of the Hong Kong Special Administrative Region

Designs Registry, Intellectual Property Department

根據註冊外觀設計條例第 25 條註冊的外觀設計

Designs registered under section 25 of the Registered Designs Ordinance

按註冊編號排列

Arranged by Registration Number

- [11] 1915318.2
- [15] 24-12-2019
- [30] 02-07-2019 / EU / 006609301-0001
- [51] Cl. 28-02
- [54] 唇膏盒
Lipstick case
- [73] MAKE UP FOR EVER
5, rue de La Boétie,
75008 Paris, France
- [74] WENPING PATENT & TRADE MARK AGENT LIMITED
1701 Tung Wai Commercial Building,
111 Gloucester Road,
Hong Kong



-
- [11] 2016640.9
 - [15] 12-08-2020
 - [30] 13-02-2020 / CA, MA, SG, TN, TR, GB, US, VN, EU, JP, KR /
DM/206 597
 - [51] Cl. 2-04

[54] 鞋
Shoe

[73] HERMES SELLIER
24 Rue du Faubourg Saint Honoré,
75008 Paris,
France

[74] DEACONS
5th Floor, Alexandra House,
Central,
Hong Kong



[11] 2016795.7

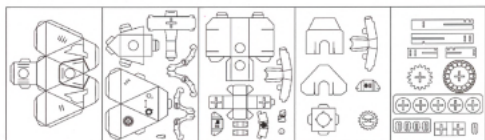
[15] 09-09-2020

[51] Cl. 19-01

[54] 機械人模型摺紙
Origami paper for folding a robot figure

[73] Robotry Co., Ltd
3F, 177, Yeoksam-ro,
Gangnam-gu, Seoul,
Korea, Republic of

[74] Messrs. Boase Cohen & Collins
2303-7 Dominion Centre,
43-59 Queen's Road East,
Hong Kong



[11] 2016894.6

[15] 29-09-2020

[30] 29-03-2020 / CH / 145300

[51] Cl. 10-02

[54] 手錶

Wrist watch

[73] CZAPEK & CIE LTD

Rue De La Corraterie 18,
1204 Geneva,
Switzerland

[74] CHINA PATENT AGENT (HONG KONG) LIMITED

22/F, Great Eagle Centre,
23 Harbour Road,
Wanchai, Hong Kong



[11] 2016916.5

[15] 05-10-2020

[51] Cl. 10-05

[54] 迷你三角形防水 LED 燈個人警報器

Mini triangle shaped waterproof LED personal alarm

[73] 陳孟強

CHAN MANG KEUNG

香港九龍

九龍灣宏光道一號

億京中心 8 座 8 樓 B 室

雄景實業有限公司

POWER VIEW INDUSTRIAL LTD.

香港九龍

九龍灣宏光道一號

億京中心 8 座 8 樓 B 室

[74] 陳孟強

香港九龍

九龍灣宏光道一號

億京中心 8 座 8 樓 B 室



[11] 2017035.7M001

[15] 02-11-2020

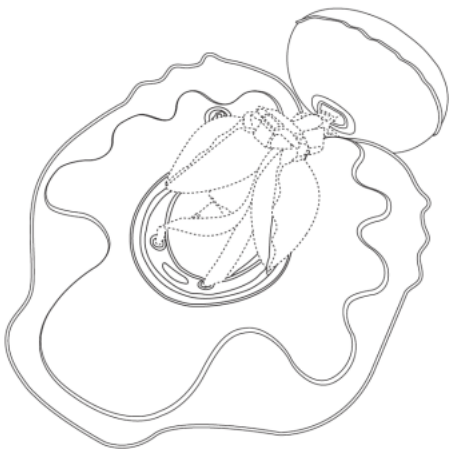
[30] 14-09-2020 / CN / 202030542449.7

[51] C1. 21-02

[54] 充氣游泳圈
Inflatable swimming ring

[73] 開平鐸源塑膠製品有限公司
H&Q Plastic Manufacture Co., LTD
No.5 of 4, Section D of Industrial Estate, Cangcheng Town,
Kaiping City, Guangdong, China

[74] WENPING PATENT & TRADE MARK AGENT LIMITED
1701 Tung Wai Commercial Building,
111 Gloucester Road,
Hong Kong



[11] 2017035.7M002

[15] 02-11-2020

[30] 28-08-2020 / CN / 202030502001.2

[51] C1. 21-02

[54] 充氣游泳圈

Inflatable swimming ring

[73] 開平鐸源塑膠製品有限公司

H&Q Plastic Manufacture Co., LTD

No.5 of 4, Section D of Industrial Estate, Cangcheng Town,
Kaiping City, Guangdong, China

[74] WENPING PATENT & TRADE MARK AGENT LIMITED

1701 Tung Wai Commercial Building,

111 Gloucester Road,

Hong Kong



[11] 2017039.5

[15] 05-11-2020

[51] C1. 19-01

C1. 19-08

[54] 用於書寫紙、明信片、通知卡和其他印刷品的原創人物

Paper, postcards and notice cards and other printed material
for original character

[73] HEXA Labs Limited

香港南區

黃竹坑香葉道 41 號

7 樓 718 室

[74] Fung Lim Chi

香港南區

黃竹坑香葉道 41 號

7 樓 718 室



[11] 2017040.7

[15] 05-11-2020

[51] Cl. 2-02

[54] 用於不同的服裝上的原創人物
Costumes for original character

[73] HEXA Labs Limited

香港南區

黃竹坑香業道 41 號

7 樓 718 室

[74] Fung Lim Chi

香港南區

黃竹坑香業道 41 號

7 樓 718 號



[11] 2017087.6

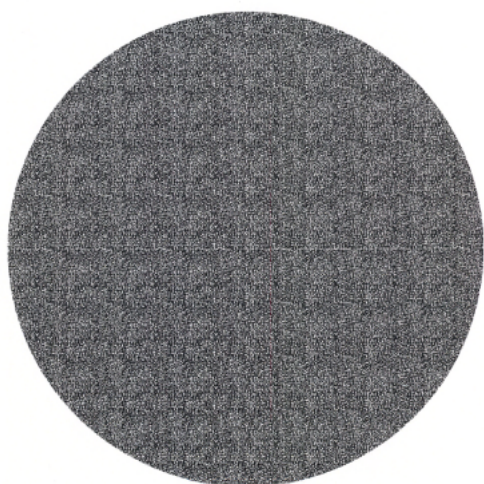
[15] 17-11-2020

[51] Cl. 7-02

[54] 用於鍋、平底鍋、煲的紋路
Pattern on the wok, pan and pot

[73] 耀興國際拓展有限公司
YIU HING INTERNATIONAL DEVELOPMENT LIMITED
香港荃灣
沙咀道 40-50 號
榮豐工業大廈 2201 室

[74] 耀興國際拓展有限公司
香港荃灣
沙咀道 40-50 號
榮豐工業大廈 2201 室



[11] 2017095.3

[15] 26-11-2020

[51] Cl. 4-02

[54] 牙刷
Toothbrush

[73] 研先創展有限公司
UC Development Limited
Room 1006, 10/F, 41 Heung Yip Road,
Wong Chuk Hang,
Hong Kong

[74] UC Development Limited
Room 1006, 10/F, 41 Heung Yip Road,
Wong Chuk Hang,
Hong Kong



[11] 2017247.6

[15] 15-12-2020

[30] 26-11-2020 / CN / 202030722745.5

[51] Cl. 14-06

[54] 車載手機支架

In-vehicle mobile phone holder

[73] 廣東高普達集團股份有限公司

GUANGDONG GOPOD GROUP HOLDING CO., LTD

中國內地

廣東省深圳市龍華新區大浪街道同勝社區華榮路

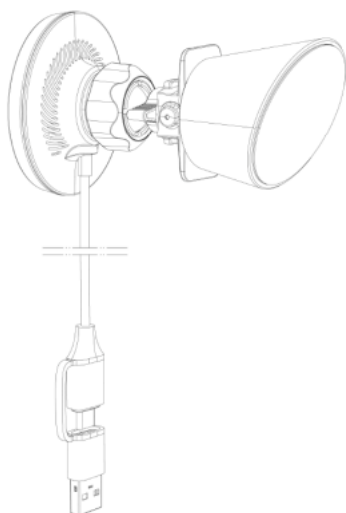
聯建科技工業園廠房 8 棟 4,5,6 樓

[74] 中一聯合國際知識產權有限公司

香港九龍

尖沙咀漆咸道南 45-51 號

其士大廈 803 室



[11] 2017259.1

[15] 16-12-2020

[30] 17-06-2020 / CN / 202030310291.0

[51] Cl. 9-01

[54] 乳液瓶子

Emulsion bottle

[73] 曼秀雷敦(中國)藥業有限公司

Mentholatum (China) Pharmaceutical Company Limited

The Second Industrial District, Sanxiang Town,

Zhongshan City, Guangdong Province,

China

[74] MAYER BROWN

16th-19th Floors, Prince's Building,

10 Chater Road, Central,

Hong Kong



[11] 2017307.4M001

[15] 18-12-2020

[30] 15-10-2020 / CN / 202030613947.6

[51] Cl. 23-04

[54] 智能便攜式空氣淨化器主機

Smart portable air purifier host

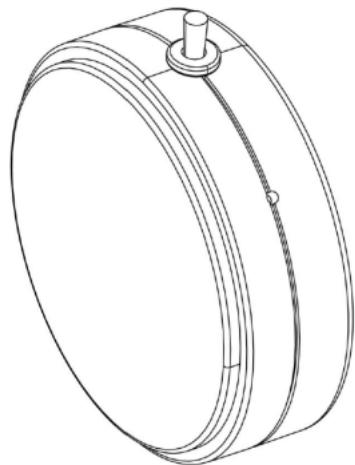
[73] 新瑪德製造廠有限公司

SIMATELEX MANUFACTORY CO.,LTD.

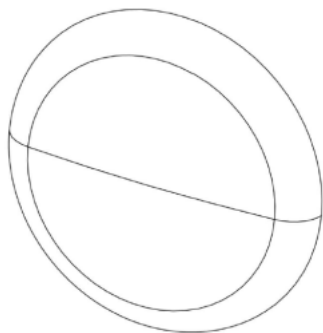
香港黃竹坑

香葉道2號21樓

- [74] HK STANDARD INTELLECTUAL PROPERTY LIMITED
香港中環
干諾道中 64 號
中華廠商會大廈 21 樓



-
- [11] 2017307.4M002
[15] 18-12-2020
[30] 15-10-2020 / CN / 202030613947.6
[51] C1. 23-04
[54] 智能便攜式空氣淨化器面板
Smart portable air purifier panel
[73] 新瑪德製造廠有限公司
SIMATELEX MANUFACTORY CO.,LTD.
香港黃竹坑
香葉道 2 號 21 樓
[74] HK STANDARD INTELLECTUAL PROPERTY LIMITED
香港中環
干諾道中 64 號
中華廠商會大廈 21 樓



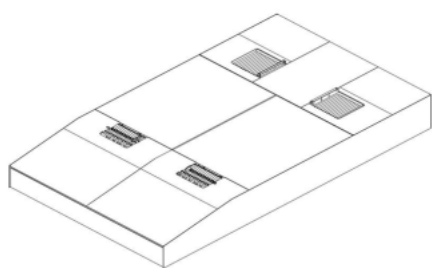
- [11] 2017307.4M003
[15] 18-12-2020
[30] 15-10-2020 / CN / 202030613947.6
[51] Cl. 23-04
[54] 智能便攜式空氣淨化器
Smart portable air purifier
[73] 新瑪德製造廠有限公司
SIMATELEX MANUFACTORY CO.,LTD.
香港黃竹坑
香葉道 2 號 21 樓
[74] HK STANDARD INTELLECTUAL PROPERTY LIMITED
香港中環
干諾道中 64 號
中華廠商會大廈 21 樓



-
- [11] 2017311.2
[15] 21-12-2020
[51] Cl. 23-04
[54] 掛頸式負離子淨化器
Negative ion air purifier necklace
[73] 郭進宏
KWOK CHUN WANG
香港新界
荃灣海盛路 9 號
有線電視大樓 31 樓 3111 室
[74] Lisa Gao
香港新界
荃灣海盛路 9 號
有線電視大樓 31 樓 3111 室



-
- [11] 2017315.1
[15] 22-12-2020
[30] 24-06-2020 / CN / 202030332905.5
[51] Cl. 25-03
[54] 換電站停車平台
Parking platform in battery swapping station
[73] 武漢蔚來能源有限公司
Wuhan NIO Energy Co., Ltd.
中國內地
湖北省武漢市東湖新技術開發區高新大道 999 號
新能源研究院 G3 棟 3 樓 316 室
[74] 旻貝國際知識產權代理有限公司
香港新界
白石角香港科學園
第三期科技大道西 12 號 2 樓 230 室



-
- [11] 2017317.5M001
[15] 22-12-2020
[30] 27-10-2020 / SG, CH, GB, US, EU, JP, KR / DM/211 228
[51] Cl. 10-07
[54] 錶面
Watch dial

[73] VAN CLEEF & ARPELS SA
Route des Biches 8,
1752 Villars-sur-Glâne,
Switzerland

[74] ATL LAW OFFICES
16/F., China Hong Kong Tower,
8-12 Hennessy Road,
Wanchai, Hong Kong



[11] 2017317.5M002

[15] 22-12-2020

[30] 27-10-2020 / SG, CH, GB, US, EU, JP, KR / DM/211 226

[51] Cl. 10-07

[54] 錶面
Watch dial

[73] VAN CLEEF & ARPELS SA
Route des Biches 8,
1752 Villars-sur-Glâne,
Switzerland

[74] ATL LAW OFFICES
16/F., China Hong Kong Tower,
8-12 Hennessy Road,
Wanchai, Hong Kong



[11] 2017319.9M001

[15] 22-12-2020

[30] 11-09-2020 / CN / 202030539808.3

[51] C1. 10-05

[54] 高級駕駛輔助系統標定裝置

Advanced drive assistant system calibrating apparatus

[73] 深圳市道通科技股份有限公司

中國內地

深圳市南山區

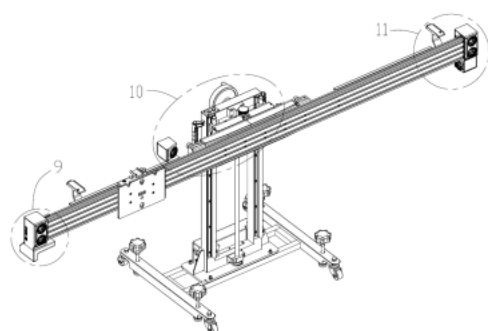
南山智園 B1 棟 6、7、8、10 層

[74] 百睿知識產權有限公司

香港新界

沙田香港科學園

科技大道西 10 號浚湖樓 617 室



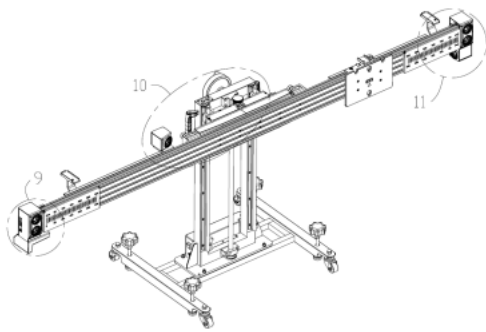
[11] 2017319.9M002

[15] 22-12-2020

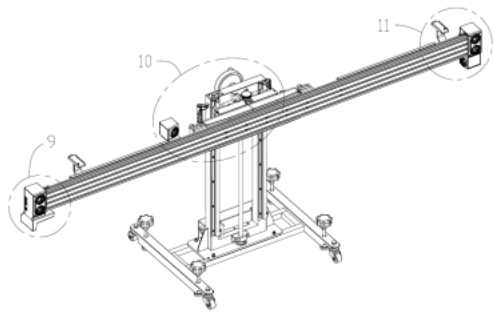
[30] 11-09-2020 / CN / 202030539809.8

[51] C1. 10-05

- [54] 高級駕駛輔助系統標定裝置
Advanced drive assistant system calibrating apparatus
- [73] 深圳市道通科技股份有限公司
中國內地
深圳市南山區
南山智園 B1 棟 6、7、8、10 層
- [74] 百睿知識產權有限公司
香港新界
沙田香港科學園
科技大道西 10 號浚湖樓 617 室



-
- [11] 2017319.9M003
- [15] 22-12-2020
- [30] 11-09-2020 / CN / 202030540434.7
- [51] C1. 10-05
- [54] 高級駕駛輔助系統標定裝置
Advanced drive assistant system calibrating apparatus
- [73] 深圳市道通科技股份有限公司
中國內地
深圳市南山區
南山智園 B1 棟 6、7、8、10 層
- [74] 百睿知識產權有限公司
香港新界
沙田香港科學園
科技大道西 10 號浚湖樓 617 室



[11] 2017319.9M004

[15] 22-12-2020

[30] 11-09-2020 / CN / 202030540432.8

[51] C1. 10-05

[54] 高級駕駛輔助系統標定裝置

Advanced drive assistant system calibrating apparatus

[73] 深圳市道通科技股份有限公司

中國內地

深圳市南山區

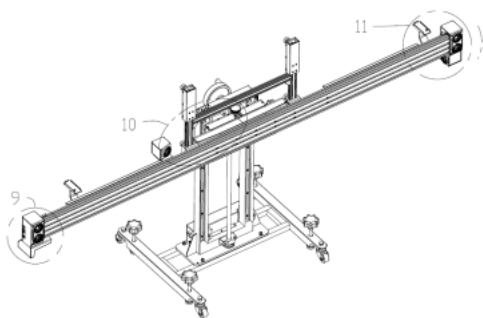
南山智園 B1 棟 6、7、8、10 層

[74] 百睿知識產權有限公司

香港新界

沙田香港科學園

科技大道西 10 號浚湖樓 617 室



[11] 2017319.9M005

[15] 22-12-2020

[30] 11-09-2020 / CN / 202030540430.9

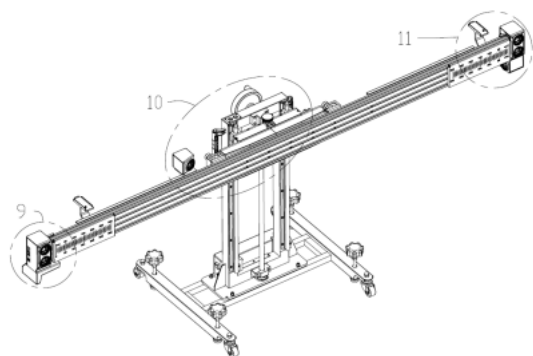
[51] C1. 10-05

[54] 高級駕駛輔助系統標定裝置

Advanced drive assistant system calibrating apparatus

[73] 深圳市道通科技股份有限公司
中國內地
深圳市南山區
南山智園 B1 棟 6、7、8、10 層

[74] 百睿知識產權有限公司
香港新界
沙田香港科學園
科技大道西 10 號浚湖樓 617 室



[11] 2017319.9M006

[15] 22-12-2020

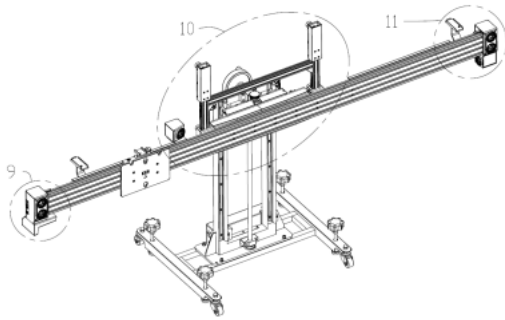
[30] 11-09-2020 / CN / 202030539799.8

[51] C1. 10-05

[54] 高級駕駛輔助系統標定裝置
Advanced drive assistant system calibrating apparatus

[73] 深圳市道通科技股份有限公司
中國內地
深圳市南山區
南山智園 B1 棟 6、7、8、10 層

[74] 百睿知識產權有限公司
香港新界
沙田香港科學園
科技大道西 10 號浚湖樓 617 室



[11] 2017319.9M007

[15] 22-12-2020

[30] 11-09-2020 / CN / 202030540423.9

[51] C1. 10-05

[54] 高級駕駛輔助系統標定裝置

Advanced drive assistant system calibrating apparatus

[73] 深圳市道通科技股份有限公司

中國內地

深圳市南山區

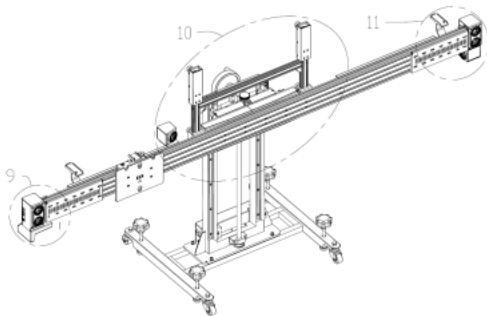
南山智園 B1 棟 6、7、8、10 層

[74] 百睿知識產權有限公司

香港新界

沙田香港科學園

科技大道西 10 號浚湖樓 617 室



[11] 2017319.9M008

[15] 22-12-2020

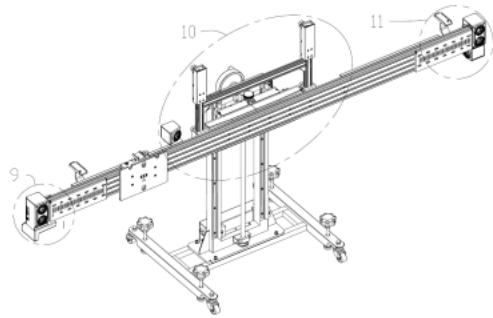
[30] 11-09-2020 / CN / 202030539797.9

[51] C1. 10-05

[54] 高級駕駛輔助系統標定裝置
Advanced drive assistant system calibrating apparatus

[73] 深圳市道通科技股份有限公司
中國內地
深圳市南山區
南山智園 B1 棟 6、7、8、10 層

[74] 百睿知識產權有限公司
香港新界
沙田香港科學園
科技大道西 10 號浚湖樓 617 室



[11] 2017320.1M001

[15] 22-12-2020

[30] 23-07-2020 / CA, AM, AZ, BZ, BA, GE, LI, MK, MD, MC, MN, ME, MA, NO, OM, SG, CH, TN, TR, UA, GB, EU, AL, KG / DM/209 479

[51] Cl. 11-01

[54] 耳環
Earrings

[73] Harry Winston SA
Chemin du Tourbillon 8,
CH-1228 Plan-les-Ouates,
Switzerland

[74] SPRUSON & FERGUSON (HONG KONG) LIMITED
5001 Hopewell Centre,
183 Queen's Road East,
Wan Chai, Hong Kong



[11] 2017320.1M002

[15] 22-12-2020

[30] 23-07-2020 / CA, AM, AZ, BZ, BA, GE, LI, MK, MD, MC, MN, ME, MA, NO, OM, SG, CH, TN, TR, UA, GB, EU, AL, KG / DM/209 479

[51] Cl. 11-01

[54] 指環
Ring

[73] Harry Winston SA
Chemin du Tourbillon 8,
CH-1228 Plan-les-Ouates,
Switzerland

[74] SPRUSON & FERGUSON (HONG KONG) LIMITED
5001 Hopewell Centre,
183 Queen's Road East,
Wan Chai, Hong Kong



[11] 2017320.1M003

[15] 22-12-2020

[30] 23-07-2020 / CA, AM, AZ, BZ, BA, GE, LI, MK, MD, MC, MN, ME, MA, NO, OM, SG, CH, TN, TR, UA, GB, EU, AL, KG / DM/209 479

[51] Cl. 11-01

[54] 項鍊
Necklace

[73] Harry Winston SA
Chemin du Tourbillon 8,
CH-1228 Plan-les-Ouates,
Switzerland

[74] SPRUSON & FERGUSON (HONG KONG) LIMITED
5001 Hopewell Centre,
183 Queen's Road East,
Wan Chai, Hong Kong



[11] 2017320.1M004

[15] 22-12-2020

[30] 23-07-2020 / CA, AM, AZ, BZ, BA, GE, LI, MK, MD, MC, MN, ME, MA, NO, OM, SG, CH, TN, TR, UA, GB, EU, AL, KG / DM/209 479

[51] Cl. 11-01

[54] 項鍊

Necklace

[73] Harry Winston SA

Chemin du Tourbillon 8,
CH-1228 Plan-les-Ouates,

Switzerland

[74] SPRUSON & FERGUSON (HONG KONG) LIMITED

5001 Hopewell Centre,
183 Queen's Road East,
Wan Chai, Hong Kong



[11] 2017320.1M005

[15] 22-12-2020

[30] 23-07-2020 / CA, AM, AZ, BZ, BA, GE, LI, MK, MD, MC, MN, ME, MA, NO, OM, SG, CH, TN, TR, UA, GB, EU, AL, KG / DM/209 479

[51] Cl. 11-01

[54] 耳環

Earrings

[73] Harry Winston SA

Chemin du Tourbillon 8,
CH-1228 Plan-les-Ouates,
Switzerland

[74] SPRUSON & FERGUSON (HONG KONG) LIMITED

5001 Hopewell Centre,
183 Queen's Road East,
Wan Chai, Hong Kong



[11] 2017321.3M001

[15] 23-12-2020

[30] 07-09-2020 / EU / 008162010-0001

[51] Cl. 28-03

[54] 粉末粉餅

Powder compact

[73] LVMH FRAGRANCE BRANDS

77 Rue Anatole France,
92300 Levallois Perret,
France

[74] WENPING PATENT & TRADE MARK AGENT LIMITED

1701 Tung Wai Commercial Building,
111 Gloucester Road,
Hong Kong



- [11] 2017321.3M002
[15] 23-12-2020
[30] 07-09-2020 / EU / 008162010-0002
[51] Cl. 28-03
[54] 粉末粉餅
Powder compact
[73] LVMH FRAGRANCE BRANDS
77 Rue Anatole France,
92300 Levallois Perret,
France
[74] WENPING PATENT & TRADE MARK AGENT LIMITED
1701 Tung Wai Commercial Building,
111 Gloucester Road,
Hong Kong



-
- [11] 2017321.3M003
[15] 23-12-2020
[30] 07-09-2020 / EU / 008162010-0003
[51] Cl. 28-03
[54] 粉末粉餅
Powder compact
[73] LVMH FRAGRANCE BRANDS
77 Rue Anatole France,
92300 Levallois Perret,
France
[74] WENPING PATENT & TRADE MARK AGENT LIMITED
1701 Tung Wai Commercial Building,
111 Gloucester Road,
Hong Kong



[11] 2017321.3M004

[15] 23-12-2020

[30] 07-09-2020 / EU / 008162010-0004

[51] C1. 28-03

[54] 粉末粉餅

Powder compact

[73] LVMH FRAGRANCE BRANDS

77 Rue Anatole France,

92300 Levallois Perret,

France

[74] WENPING PATENT & TRADE MARK AGENT LIMITED

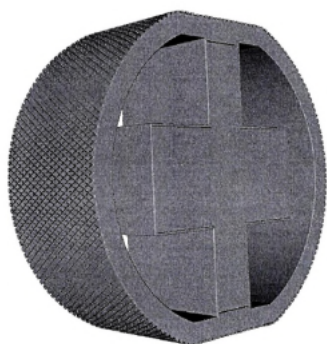
1701 Tung Wai Commercial Building,

111 Gloucester Road,

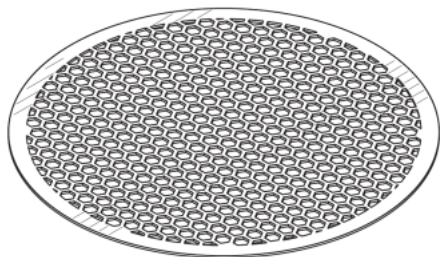
Hong Kong



- [11] 2017322.5
[15] 23-12-2020
[51] Cl. 24-02
[54] 職業和物理治療輔助器
Occupational and physical therapy aids
[73] CHAUHAAN, Sachendra
Room 503, Tower II, Lippo Centre,
89 Queensway,
Hong Kong
[74] VINCENT LUK & ASSOCIATES
Unit A, 13th Floor, Nathan Commercial Building,
430 Nathan Road,
Kowloon, Hong Kong



-
- [11] 2017324.9M001
[15] 23-12-2020
[30] 04-09-2020 / US / 29/749,381
[51] Cl. 29-02
[54] 面罩過濾器
Mask filter
[73] 致利有限公司
MAKE GREAT SALES LIMITED
Flat 709B, 7/F, Opulent Building,
402-6 Hennessy Road,
Hong Kong
[74] CHINA SINDA INTELLECTUAL PROPERTY LIMITED
Suite 3301,
One Exchange Square,
Central, Hong Kong



[11] 2017324.9M002

[15] 23-12-2020

[30] 04-09-2020 / US / 29/749,381

[51] Cl. 29-02

[54] 面罩過濾器

Mask filter

[73] 致利有限公司

MAKE GREAT SALES LIMITED

Flat 709B, 7/F, Opulent Building,

402-6 Hennessy Road,

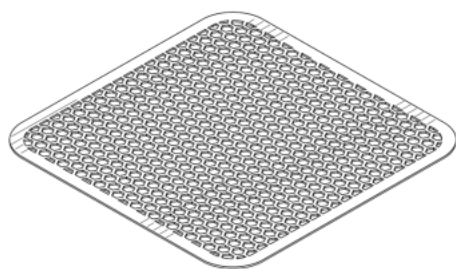
Hong Kong

[74] CHINA SINDA INTELLECTUAL PROPERTY LIMITED

Suite 3301,

One Exchange Square,

Central, Hong Kong



[11] 2017324.9M003

[15] 23-12-2020

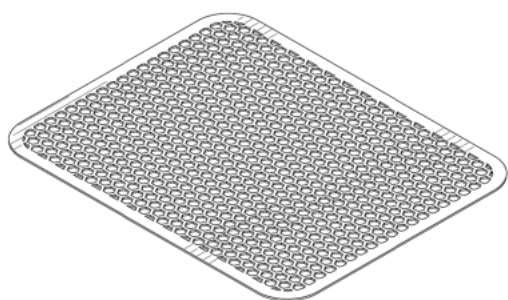
[30] 04-09-2020 / US / 29/749,381

[51] Cl. 29-02

[54] 面罩過濾器
Mask filter

[73] 致利有限公司
MAKE GREAT SALES LIMITED
Flat 709B, 7/F, Opulent Building,
402-6 Hennessy Road,
Hong Kong

[74] CHINA SINDA INTELLECTUAL PROPERTY LIMITED
Suite 3301,
One Exchange Square,
Central, Hong Kong



[11] 2017324.9M004

[15] 23-12-2020

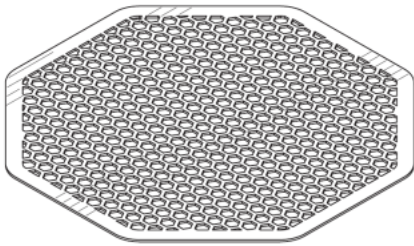
[30] 04-09-2020 / US / 29/749,381

[51] Cl. 29-02

[54] 面罩過濾器
Mask filter

[73] 致利有限公司
MAKE GREAT SALES LIMITED
Flat 709B, 7/F, Opulent Building,
402-6 Hennessy Road,
Hong Kong

[74] CHINA SINDA INTELLECTUAL PROPERTY LIMITED
Suite 3301,
One Exchange Square,
Central, Hong Kong



[11] 2017326.4

[15] 24-12-2020

[51] Cl. 28-03

[54] 護膚裝置

Skincare device

[73] Tav - Tech Ltd.

40 Ha'atzmaut St.,

P.O.B. 1167 Yehud, 5630417,

Israel

[74] LIU, SHEN & ASSOCIATES

Room 3716, 37/F, Sun Hung Kai Centre,

30 Harbour Road,

Wanchai, Hong Kong



[11] 2017329.0M001

[15] 24-12-2020

[30] 23-09-2020 / CA, SG, CH, GB, US, EU, JP, KR / DM/210 565

[51] Cl. 8-07

[54] 鎖

Lock

[73] USM U. Schärer Söhne AG
Thunstrasse 55,
3110 Münsingen,
Switzerland

[74] CHLOE LEE & CO.
1104 Tai Tung Building,
8 Fleming Road,
Wanchai, Hong Kong



[11] 2017329.0M002

[15] 24-12-2020

[30] 23-09-2020 / CA, SG, CH, GB, US, EU, JP, KR / DM/210 565

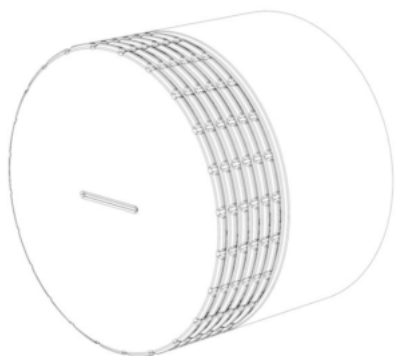
[51] Cl. 8-07

[54] 鎖

Lock

[73] USM U. Schärer Söhne AG
Thunstrasse 55,
3110 Münsingen,
Switzerland

[74] CHLOE LEE & CO.
1104 Tai Tung Building,
8 Fleming Road,
Wanchai, Hong Kong



- [11] 2017331.4
- [15] 24-12-2020
- [51] Cl. 9-03
- [54] 包裝盒
Package box
- [73] 盈品亞洲發展有限公司
Sky One Asia Pacific Company Limited
香港九龍
觀塘觀塘道 396 號
毅力工業中心 9 樓 B 室
- [74] 卓遠知識產權有限公司
香港上環
禧利街 27 號
富輝商業中心 10 樓



-
- [11] 2017332.6M001
- [15] 24-12-2020
- [51] Cl. 9-03
Cl. 9-02
- [54] 合上狀態的容器
Container in closed state
- [73] TWG TEA COMPANY PTE.LTD.
#05-01 King's Centre,
390 Havelock Road, 169662,
Singapore
- [74] ROBIN BRIDGE & JOHN LIU
6th Floor, Emperor Commercial Centre,
39 Des Voeux Road Central,
Hong Kong



[11] 2017332.6M002

[15] 24-12-2020

[51] Cl. 9-03

Cl. 9-02

[54] 打開狀態的容器

Container in opened state

[73] TWG TEA COMPANY PTE.LTD.

#05-01 King's Centre,
390 Havelock Road, 169662,
Singapore

[74] ROBIN BRIDGE & JOHN LIU

6th Floor, Emperor Commercial Centre,
39 Des Voeux Road Central,
Hong Kong



[11] 2017336.5

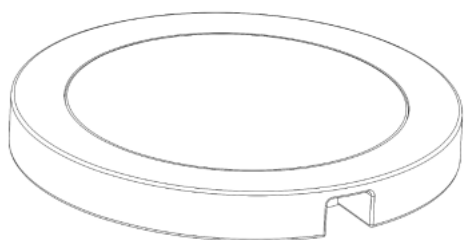
[15] 25-12-2020

[51] Cl. 13-02

[54] 無線充電器
Wireless charger

[73] 杰美泰實業（深圳）有限公司
中國內地
廣東省深圳市寶安區沙井街道
茅洲山工業園工業大廈全至科技創新園科創大廈 14 層 G

[74] 海思國際知識產權有限公司
香港灣仔
皇后大道東 183 號
合和中心 54 樓



[11] 2017338.9

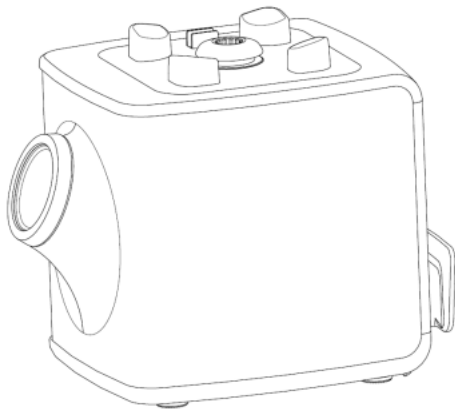
[15] 28-12-2020

[51] Cl. 31-00

[54] 攪拌機
Blender

[73] 大宇（東莞）電器有限公司
TAI YU (DONGGUAN) ELECTRICAL CO., LTD.
中國內地
廣東省東莞市
東坑鎮東興工業園

[74] 智雅知識產權代理公司
香港荃灣
青山道 264-298 號
南豐中心 1905 室



[11] 2017345.4

[15] 28-12-2020

[30] 02-07-2020 / MA, SG, CH, TN, TR, GB, US, VN, EU, JP, KR /
DM/209 402

[51] Cl. 2-04

[54] 涼鞋
Sandal

[73] HERMES SELLIER
24, Rue du Faubourg Saint-Honoré,
75008 Paris,
France

[74] DEACONS
5th Floor, Alexandra House,
Central,
Hong Kong



[11] 2017346.6M001

[15] 29-12-2020

[30] 20-07-2020 / CN / 202030393984.0

[51] Cl. 23-01

[54] 軟管
Hose

[73] 飛特股份公司
FITT S.P.A.
Via Piave 8,
36066 Sandrigo,
Vicenza, ITALY

[74] 集佳知識產權有限公司
香港九龍
旺角洗衣街 39-55 號
金雞廣場 12 層 1201 室



[11] 2017346.6M002

[15] 29-12-2020

[30] 20-07-2020 / CN / 202030393984.0

[51] Cl. 23-01

[54] 軟管
Hose

[73] 飛特股份公司
FITT S.P.A.
Via Piave 8,
36066 Sandrigo,
Vicenza, ITALY

[74] 集佳知識產權有限公司
香港九龍
旺角洗衣街 39-55 號
金雞廣場 12 層 1201 室



[11] 2017347.8

[15] 29-12-2020

[30] 16-09-2020 / US / 29/750,789

[51] Cl. 11-01

[54] 圓形寶石

Round shaped gemstone

[73] Worldwide Diamond Trademark, Ltd

HRA Group of Companies,

3777 Kingsway, Suite 1501,

Burnaby, British Columbia, Canada V5H3Z7,

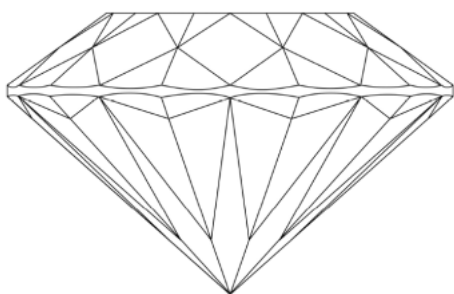
Canada

[74] CHINA PATENT AGENT (HONG KONG) LIMITED

22/F, Great Eagle Centre,

23 Harbour Road,

Wanchai, Hong Kong



[11] 2017348.0M001

[15] 29-12-2020

[30] 08-07-2020 / EU / 008035802-0001

[51] Cl. 2-03

[54] 頭盔

Helmet

[73] LOCATELLI S.p.A.
Via Della Resistenza, 5/A,
I-24030 Almenno San Bartolomeo (Bg),
Italy

[74] CHINA PATENT AGENT (HONG KONG) LIMITED
22/F, Great Eagle Centre,
23 Harbour Road,
Wanchai, Hong Kong



[11] 2017348.0M002

[15] 29-12-2020

[30] 08-07-2020 / EU / 008035802-0002

[51] Cl. 2-03

[54] 頭盔
Helmet

[73] LOCATELLI S.p.A.
Via Della Resistenza, 5/A,
I-24030 Almenno San Bartolomeo (Bg),
Italy

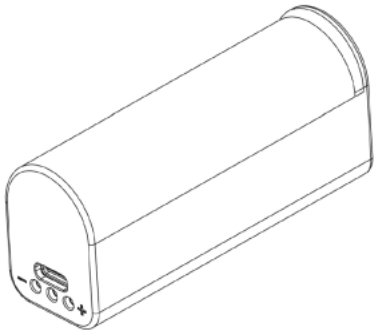
[74] CHINA PATENT AGENT (HONG KONG) LIMITED
22/F, Great Eagle Centre,
23 Harbour Road,
Wanchai, Hong Kong



- [11] 2017349.2
[15] 29-12-2020
[51] Cl. 11-01
[54] 首飾組件
Jewelry setting
[73] 徐思倩
TSUI Sze Sin
Block A, 3/F,
690 Castle Peak Road,
Lai Chi Kok, Kowloon, Hong Kong
[74] FEDERATION OF HONG KONG INDUSTRIES
31/F, Billion Plaza,
8 Cheung Yue Street,
Cheung Sha Wan, Kowloon, Hong Kong



-
- [11] 2017357.9M001
[15] 30-12-2020
[30] 28-07-2020 / CN / 202030418265.X
[51] Cl. 13-02
[54] 電池組
Battery pack
[73] 浙江動一新能源動力科技股份有限公司
中國內地
浙江省寧波市奉化區龍潭路 398 號
(郵編 315500)
[74] 高保知識產權代理有限公司
香港荃灣
白田壩街 36-44 號
信義工業大廈 9 樓



[11] 2017357.9M002

[15] 30-12-2020

[30] 30-06-2020 / CN / 202030343940.7

[51] C1. 13-02

[54] 電池組

Battery pack

[73] 浙江動一新能源動力科技股份有限公司

中國內地

浙江省寧波市奉化區龍潭路 398 號

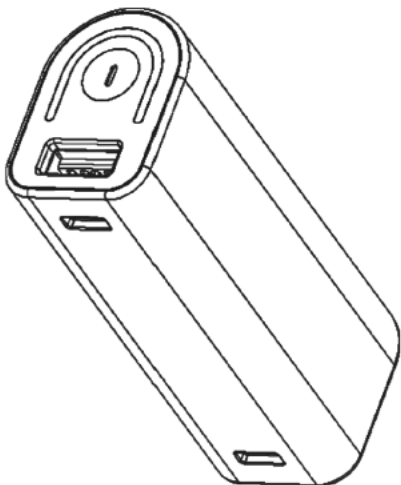
(郵編 315500)

[74] 高保知識產權代理有限公司

香港荃灣

白田壩街 36-44 號

信義工業大廈 9 樓



[11] 2017359.3

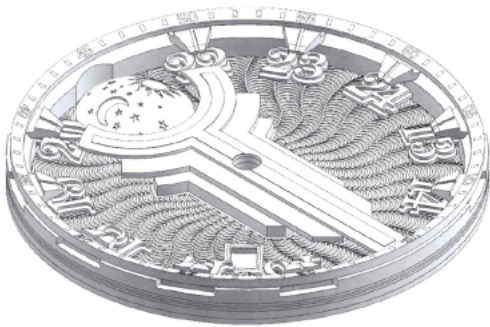
[15] 30-12-2020

[51] Cl. 10-07

[54] 錶面
Watch dial

[73] 孔惠良
HUNG WAI LEUNG
2/F, Dah Sing Life Building,
99-105 Des Voeux Road Central,
Hong Kong

[74] HUNG WAI LEUNG
2/F, Dah Sing Life Building,
99-105 Des Voeux Road Central,
Hong Kong



[11] 2017363.1

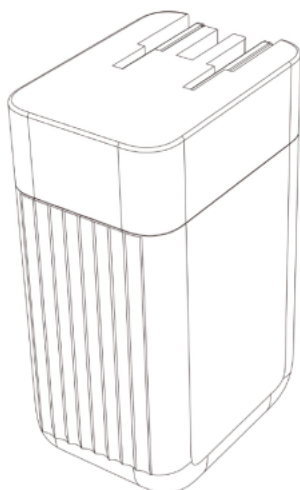
[15] 31-12-2020

[51] Cl. 13-02

[54] 充電頭
Charging head

[73] 深圳今翔科技有限公司
Shenzhen Pilot Technology Co.,LTD.
中國內地
廣東省深圳市龍崗區
平湖街道山廈社區杉坑路 7 號 A1 廠房 101 (A1 工業園)

[74] 中港專利有限公司
香港
港灣道 1 號會展廣場
辦公大樓 30 樓 3012 室



[11] 2017368.2

[15] 31-12-2020

[30] 14-08-2020 / CN / 202030463418.2

[51] Cl. 9-01

[54] 飲料瓶

Beverage bottle

[73] 內蒙古蒙牛乳業（集團）股份有限公司

INNER MONGOLIA MENGNIU DAIRY (GROUP) CO., LTD.

中國內地

內蒙古自治區呼和浩特市

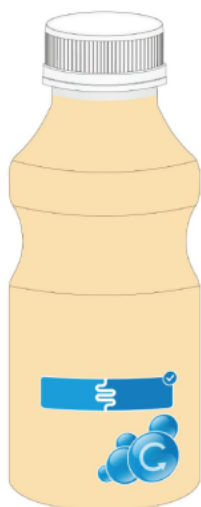
和林格爾盛樂經濟園區 011500

[74] 卓遠知識產權有限公司

香港上環

禧利街 27 號

富輝商業中心 10 樓



- [11] 2117373.3
[15] 11-01-2021
[51] Cl. 9-03
[54] 包裝盒
Packing box
[73] 和信堂藥業(集團)有限公司
Room B, 16, 11/F., Block B2,
Tuen Mun Hang Wai Industrial Centre,
Tuen Mun, N. T.
Hong Kong
[74] 和信堂藥業(集團)有限公司
Room B, 16, 11/F., Block B2,
Tuen Mun Hang Wai Industrial Centre,
Tuen Mun, N. T.
Hong Kong



-
- [11] 2117376.0M001
[15] 05-01-2021
[30] 27-07-2020 / CN / 202030414082.0
[51] Cl. 13-02
[54] 電池組
Battery pack
[73] 浙江動一新能源動力科技股份有限公司
中國內地
浙江省寧波市奉化區龍潭路 398 號
(郵編 315500)
[74] 高保知識產權代理有限公司
香港荃灣
白田壩街 36-44 號
信義工業大廈 9 樓



[11] 2117376.0M002

[15] 05-01-2021

[30] 28-07-2020 / CN / 202030418271.5

[51] C1. 13-02

[54] 電池組

Battery pack

[73] 浙江動一新能源動力科技股份有限公司

中國內地

浙江省寧波市奉化區龍潭路 398 號

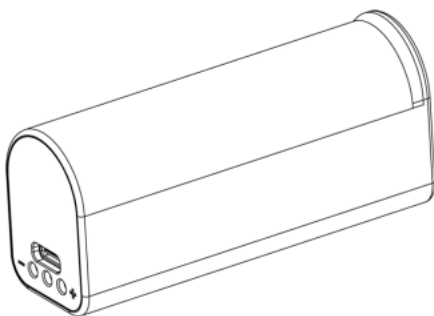
(郵編 315500)

[74] 高保知識產權代理有限公司

香港荃灣

白田壩街 36-44 號

信義工業大廈 9 樓



[11] 2117382.2

[15] 07-01-2021

[30] 01-10-2020 / JP / 021012 of 2020

[51] C1. 23-04

[54] 空氣淨化器

Air purifier

[73] SHARP KABUSHIKI KAISHA
1 Takumi-cho, Sakai-ku,
Sakai City, Osaka 590-8522,
Japan

[74] WILKINSON & GRIST
6th Floor, Prince's Building,
Chater Road,
Hong Kong



[11] 2117385.9

[15] 07-01-2021

[30] 01-09-2020 / CN / 202030510783.4

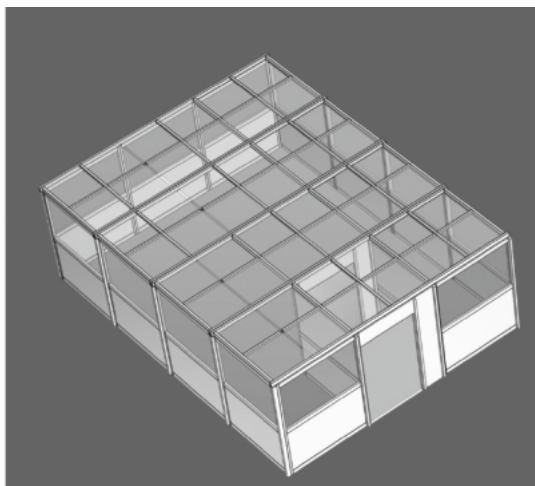
[51] Cl. 25-03

[54] 幕牆式負壓方艙醫院
Curtain wall type negative pressure shelter hospital

[73] 中建國際醫療產業發展有限公司
China State Construction International Medical Industry
Development Co., Limited
香港灣仔
軒尼詩道 139 號
中國海外大廈 29 樓

遠東恒輝幕牆（珠海）有限公司
FAR EAST HENG FAI FACADE (ZHUHAI) LIMITED
中國內地
廣東省珠海市金灣區
紅旗鎮聯發路十八號

[74] 卓遠知識產權有限公司
香港上環
禧利街 27 號
富輝商業中心 10 樓



[11] 2117386.1

[15] 07-01-2021

[51] Cl. 23-04

[54] 小風扇

Mini fan

[73] 新發電器製品（國際）有限公司

香港新界

屯門杯渡路 76 號

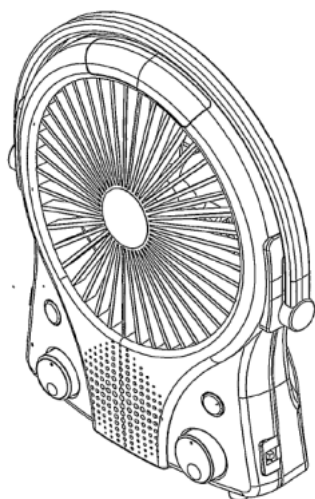
屯門工業中心 E 室一字樓二號室

[74] 新發電器製品（國際）有限公司

香港新界

屯門杯渡路 76 號

屯門工業中心 E 座一字樓二號室



[11] 2117387.3M001

[15] 07-01-2021

[30] 30-07-2020 / CA, AM, AZ, BZ, BA, GE, LI, MK, MD, MC, MN, ME,
MA, NO, OM, SG, CH, TN, TR, UA, GB, EU, AL, KG / DM/209 750

[51] Cl. 11-01

[54] 耳環

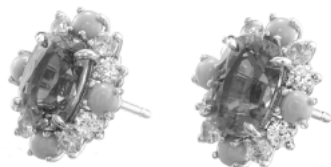
Earrings

[73] Harry Winston SA

Chemin du Tourbillon 8,
CH-1228 Plan-les-Ouates,
Switzerland

[74] SPRUSON & FERGUSON (HONG KONG) LIMITED

5001 Hopewell Centre
183 Queen's Road East,
Wan Chai, Hong Kong



[11] 2117387.3M002

[15] 07-01-2021

[30] 30-07-2020 / CA, AM, AZ, BZ, BA, GE, LI, MK, MD, MC, MN, ME,
MA, NO, OM, SG, CH, TN, TR, UA, GB, EU, AL, KG / DM/209 750

[51] Cl. 11-01

[54] 項鍊

Necklace

[73] Harry Winston SA

Chemin du Tourbillon 8,
CH-1228 Plan-les-Ouates,
Switzerland

[74] SPRUSON & FERGUSON (HONG KONG) LIMITED

5001 Hopewell Centre
183 Queen's Road East,
Wan Chai, Hong Kong



[11] 2117387.3M003

[15] 07-01-2021

[30] 30-07-2020 / CA, AM, AZ, BZ, BA, GE, LI, MK, MD, MC, MN, ME, MA, NO, OM, SG, CH, TN, TR, UA, GB, EU, AL, KG / DM/209 750

[51] Cl. 11-01

[54] 耳環

Earrings

[73] Harry Winston SA
Chemin du Tourbillon 8,
CH-1228 Plan-les-Ouates,
Switzerland

[74] SPRUSON & FERGUSON (HONG KONG) LIMITED
5001 Hopewell Centre
183 Queen's Road East,
Wan Chai, Hong Kong



[11] 2117390.9

[15] 08-01-2021

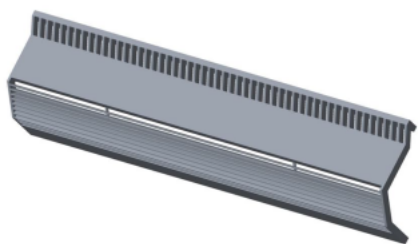
[51] Cl. 23-04

[54] 空調裝飾罩

Decoration cover of air conditioner

[73] 創基工程有限公司
Success Base Engineering Limited
香港九龍
觀塘偉業街 181 號
盈達商業大廈 3 樓 A&B 室

[74] 智群科技設計（香港）有限公司
香港九龍
九龍灣宏光道 8 號
創豪坊 7 樓 706 室



[11] 2117392.3

[15] 08-01-2021

[51] Cl. 4-02

[54] 牙刷
Toothbrush

[73] 好維股份有限公司
Hawley & Hazel (BVI) Co. Ltd.
Trident Chambers, P. O. Box 146,
Road Town, Tortola,
Virgin Islands, British

[74] BAKER & MCKENZIE
14th Floor, One Taikoo Place,
979 King's Road,
Quarry Bay, Hong Kong



[11] 2117398.6M001

[15] 08-01-2021

[30] 10-07-2020 / IT / 402020000002164

[51] Cl. 2-04

[54] 鞋

Shoe

[73] VALENTINO S.p.A.

Via Turati, 16/18,

I-20121 Milano,

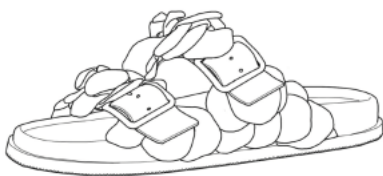
Italy

[74] BARRON & YOUNG INTELLECTUAL PROPERTY LIMITED

Suite 617, Lakeside 2,

No. 10 Science Park West Avenue,

Hong Kong Science Park, Shatin, N.T., Hong Kong



[11] 2117398.6M002

[15] 08-01-2021

[30] 10-07-2020 / IT / 402020000002164

[51] Cl. 2-04

[54] 鞋

Shoe

[73] VALENTINO S.p.A.

Via Turati, 16/18,

I-20121 Milano,

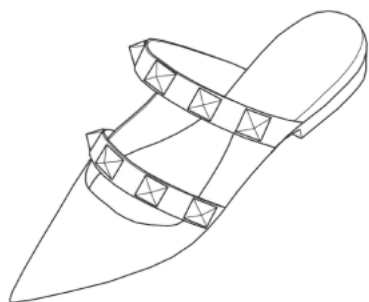
Italy

[74] BARRON & YOUNG INTELLECTUAL PROPERTY LIMITED

Suite 617, Lakeside 2,

No. 10 Science Park West Avenue,

Hong Kong Science Park, Shatin, N.T., Hong Kong



[11] 2117398.6M003

[15] 08-01-2021

[30] 10-07-2020 / IT / 402020000002164

[51] Cl. 2-04

[54] 鞋

Shoe

[73] VALENTINO S.p.A.

Via Turati, 16/18,

I-20121 Milano,

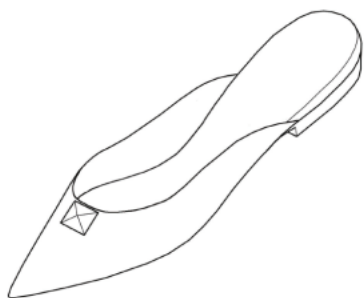
Italy

[74] BARRON & YOUNG INTELLECTUAL PROPERTY LIMITED

Suite 617, Lakeside 2,

No. 10 Science Park West Avenue,

Hong Kong Science Park, Shatin, N.T., Hong Kong



[11] 2117398.6M004

[15] 08-01-2021

[30] 10-07-2020 / IT / 402020000002164

[51] Cl. 2-04

[54] 鞋

Shoe

[73] VALENTINO S.p.A.

Via Turati, 16/18,

I-20121 Milano,

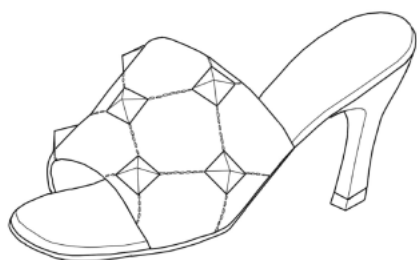
Italy

[74] BARRON & YOUNG INTELLECTUAL PROPERTY LIMITED

Suite 617, Lakeside 2,

No. 10 Science Park West Avenue,

Hong Kong Science Park, Shatin, N.T., Hong Kong



[11] 2117398.6M005

[15] 08-01-2021

[30] 10-07-2020 / IT / 402020000002164

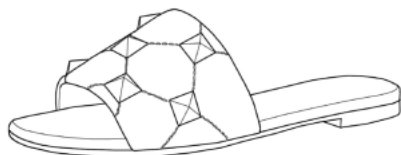
[51] Cl. 2-04

[54] 鞋

Shoe

[73] VALENTINO S.p.A.
Via Turati, 16/18,
I-20121 Milano,
Italy

[74] BARRON & YOUNG INTELLECTUAL PROPERTY LIMITED
Suite 617, Lakeside 2,
No. 10 Science Park West Avenue,
Hong Kong Science Park, Shatin, N.T., Hong Kong



[11] 2117399.8M001

[15] 08-01-2021

[30] 10-07-2020 / IT / 402020000002161

[51] Cl. 3-01

[54] 袋
Bag

[73] VALENTINO S.p.A.
Via Turati, 16/18,
I-20121 Milano,
Italy

[74] BARRON & YOUNG INTELLECTUAL PROPERTY LIMITED
Suite 617, Lakeside 2,
No. 10 Science Park West Avenue,
Hong Kong Science Park, Shatin, N.T., Hong Kong



[11] 2117399.8M002

[15] 08-01-2021

[30] 10-07-2020 / IT / 402020000002161

[51] Cl. 3-01

[54] 袋
Bag

[73] VALENTINO S.p.A.
Via Turati, 16/18,
I-20121 Milano,
Italy

[74] BARRON & YOUNG INTELLECTUAL PROPERTY LIMITED
Suite 617, Lakeside 2,
No. 10 Science Park West Avenue,
Hong Kong Science Park, Shatin, N.T., Hong Kong



- [11] 2117399.8M003
[15] 08-01-2021
[30] 10-07-2020 / IT / 402020000002161
[51] Cl. 3-01
[54] 袋
Bag
[73] VALENTINO S.p.A.
Via Turati, 16/18,
I-20121 Milano,
Italy
[74] BARRON & YOUNG INTELLECTUAL PROPERTY LIMITED
Suite 617, Lakeside 2,
No. 10 Science Park West Avenue,
Hong Kong Science Park, Shatin, N.T., Hong Kong



-
- [11] 2117401.4M001
[15] 11-01-2021
[51] Cl. 9-01
[54] 飲料包裝罐
Beverage can
[73] 太興環球發展有限公司
Tai Hing Worldwide Development Limited
13/F, Chinachem Exchange Square,
1 Hoi Wan Street,
Quarry Bay, Hong Kong
[74] FEDERATION OF HONG KONG INDUSTRIES
31/F, Billion Plaza,
8 Cheung Yue Street,
Cheung Sha Wan, Kowloon, Hong Kong



[11] 2117401.4M002

[15] 11-01-2021

[51] Cl. 9-01

[54] 飲料包裝罐

Beverage can

[73] 太興環球發展有限公司

Tai Hing Worldwide Development Limited

13/F, Chinachem Exchange Square,

1 Hoi Wan Street,

Quarry Bay, Hong Kong

[74] FEDERATION OF HONG KONG INDUSTRIES

31/F, Billion Plaza,

8 Cheung Yue Street,

Cheung Sha Wan, Kowloon, Hong Kong



[11] 2117401.4M003

[15] 11-01-2021

[51] Cl. 9-01

[54] 飲料包裝罐

Beverage can

[73] 太興環球發展有限公司

Tai Hing Worldwide Development Limited

13/F, Chinachem Exchange Square,

1 Hoi Wan Street,

Quarry Bay, Hong Kong

[74] FEDERATION OF HONG KONG INDUSTRIES

31/F, Billion Plaza,

8 Cheung Yue Street,

Cheung Sha Wan, Kowloon, Hong Kong



[11] 2117401.4M004

[15] 11-01-2021

[51] Cl. 9-01

[54] 飲料包裝罐

Beverage can

[73] 太興環球發展有限公司

Tai Hing Worldwide Development Limited

13/F, Chinachem Exchange Square,

1 Hoi Wan Street,

Quarry Bay, Hong Kong

[74] FEDERATION OF HONG KONG INDUSTRIES

31/F, Billion Plaza,

8 Cheung Yue Street,

Cheung Sha Wan, Kowloon, Hong Kong



[11] 2117402.6

[15] 11-01-2021

[51] Cl. 21-01

[54] 玩具氣槍轉換套件

Airsoft gun conversion kit

[73] 潘永鴻

Poon Wing Hung, Andrew

Flat 10, 19/F Block A, Wah Tat Industrial Centre,

8 Wah Sing Street,

Kwai Chung, N.T., Hong Kong

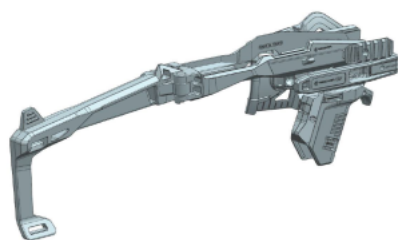
[74] HONG KONG INTELLECTUAL PROPERTY AGENT LIMITED

Unit 230, 2/F, Building 12W,

No. 12 Science Park West Avenue,

Phase 3, Hong Kong Science Park,

Pak Shek Kok, N.T., Hong Kong



[11] 2117403.8

[15] 11-01-2021

[51] Cl. 6-04

[54] 骨灰罈

Ash urn

[73] ASGHAR, Abdul Rahim A.

Flat B, 7th Floor, Chatham Commercial Building,
399 Chatham Road North,
Hung Hom, Kowloon, Hong Kong

ASGHAR, Saleem Rahim

Flat B, 7th Floor, Chatham Commercial Building,
399 Chatham Road North,
Hung Hom, Kowloon, Hong Kong

[74] BKIP Limited

1/F,
169 Gloucester Road,
Wanchai, Hong Kong



[11] 2117404.0

[15] 12-01-2021

[51] Cl. 2-01

[54] 尿布

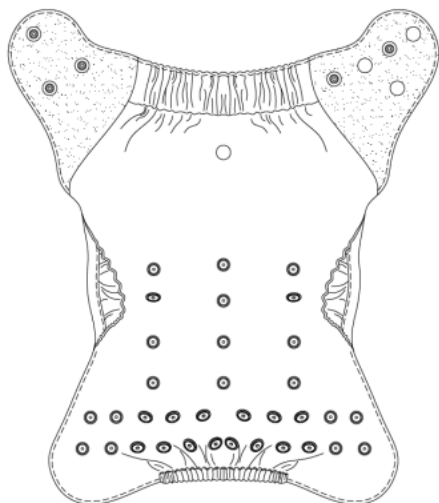
Diaper

[73] 唐文懌

CHUARD, Victoria Wenyi
Flat/Rm 805, Kaiser Centre,
18 Center Street,
Sai Ying Pun, Hong Kong

[74] ACCOLADE IP LIMITED

10/F, Fu Fai Comm. Ctr.,
27 Hillier Street,
Sheung Wan, Hong Kong



[11] 2117406.5

[15] 13-01-2021

[51] Cl. 7-02

[54] 小吃造型用滴管

Dropper for snack molding

[73] KRACIE FOODS, LTD.

20-20, Kaigan 3-chome,
Minato-ku, Tokyo 108-8080,
Japan

[74] UNION PATENT SERVICE CENTRE

Units E-F, 20th Floor, Neich Tower,
128 Gloucester Road,
Hong Kong



[11] 2117407.7

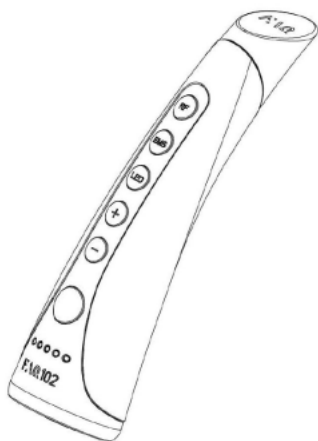
[15] 13-01-2021

[51] Cl. 7-02

- [54] 小吃造型用托盤
Tray for snack molding
- [73] KRACIE FOODS, LTD.
20-20, Kaigan 3-chome,
Minato-ku, Tokyo 108-8080,
Japan
- [74] UNION PATENT SERVICE CENTRE
Units E-F, 20th Floor, Neich Tower,
128 Gloucester Road,
Hong Kong



-
- [11] 2117408.9
- [15] 13-01-2021
- [30] 17-07-2020 / CN / 202030389328.3
- [51] C1. 28-03
- [54] 皮膚護理儀器
Skin treatment device
- [73] 芙顏珂有限公司
FAQ GmbH
Schmiedengasse 31,
4500 Solothurn,
Switzerland
- [74] TRADEMARKCN COMPANY LIMITED
Block A, 4/F., Granville Building,
14 Granville Road,
Tsim Sha Tsui, Kowloon, Hong Kong





香港特別行政區政府知識產權署外觀設計註冊處

The Government of the Hong Kong Special Administrative Region

Designs Registry, Intellectual Property Department

根據註冊外觀設計條例第 28 條，下列註冊外觀設計因未繳續期費而停止有效。

各組記項按註冊外觀設計停止有效日期及註冊編號先後次序排列。

Registered designs ceased through non-payment of renewal fees under section 28 of the Registered Designs Ordinance. Entries are listed below under their expiry dates.

25-11-2020 - 02-12-2020

25-11-2020	1002256.6M004	1502558.2
1002211.1	1502442.5	1502560.6
1002213.5	1502535.4	1502561.8
1002214.7M001		1502562.0
1002214.7M003	30-11-2020	1502563.2
1002214.7M004	0502942.4	
1002216.2	1502538.0	
1002217.4	1502539.2	
1502518.8	1502541.6	
1502519.0	1502542.8	
1502520.2	1502543.0	
	1502544.2	
26-11-2020	1502545.5	
1002224.8	1502546.7	
1002225.1	1502547.9	
1502521.4		
1502522.6	01-12-2020	
1502523.8	0502950.1M001	
1502525.3	0502950.1M002	
1502526.5	1002270.5	
1502527.7	1002275.6M002	
1502528.9	1002279.4	
1502529.1	1502548.1M001	
1502530.3	1502548.1M002	
1502531.5		
	02-12-2020	
28-11-2020	1002284.4	
0011742.6M001	1002286.9M005	
	1002286.9M006	
29-11-2020	1002286.9M007	
0011754.1	1502554.3	
0502934.7	1502556.8M002	
0502935.0	1502556.8M003	
1002256.6M003	1502557.0	



香港特別行政區政府知識產權署外觀設計註冊處

The Government of the Hong Kong Special Administrative Region

Designs Registry, Intellectual Property Department

根據註冊外觀設計規則第 31 條刪除的註冊外觀設計。各組記項按註冊外觀設計刪除日期及註冊編號先後次序排列。

Registered designs removed under section 31 of the Registered Designs Rules. Entries are listed below under their removal dates.

28-01-2021 - 04-02-2021

28-01-2021	1501132.7	0501295.0
0010640.9	1501134.1	0501296.2M001
1000962.1		1001012.8M001
1000963.3	31-01-2021	1001012.8M002
1000964.5	1501138.0	1501155.6
1000966.0	1501140.4M001	1501156.8
1000967.2	1501140.4M002	1501159.4
1000968.4	1501140.4M003	1501160.6M001
1000969.6	1501140.4M004	1501160.6M002
1000970.8	1501140.4M005	1501160.6M003
1000971.0	1501140.4M006	1501160.6M004
1000972.2	1501142.8	1501161.8M001
1000973.4	1501143.0	1501161.8M002
1000974.6		
1000978.5	02-02-2021	04-02-2021
1000980.9	0010690.4	0501305.3
1501112.5	0501288.5M001	1001021.7M001
1501117.6	1001001.5M001	1001026.8
1501118.8	1001001.5M002	1501162.0M001
1501119.0	1001011.6M001	1501162.0M002
1501121.4	1001011.6M002	1501162.0M003
1501122.6	1501145.5	
1501123.8M001	1501146.7	
1501123.8M002	1501147.9	
	1501148.1	
29-01-2021	1501149.3	
1000989.8	1501150.5	
1000990.0	1501151.7	
1000991.2	1501152.9	
1501070.5	1501153.1	
1501127.7	1501154.3	
30-01-2021	03-02-2021	
1501131.5	0010700.7	