

香港知識產權公報

Hong Kong Intellectual Property Journal

2022年5月20日

20 May 2022

目錄 Contents

根據註冊外觀設計條例第 25 條註冊的外觀設計

Designs Registered under section 25 of the Registered Designs Ordinance

按註冊編號排列

Arranged by Registration Number

根據註冊外觀設計條例(第 522 章)公布的其他公告

Other Notices Published under the Registered Designs Ordinance (Cap. 522)

根據註冊外觀設計條例第 28 條，註冊外觀設計因未繳續期費而停止有效

Registered designs ceased through non-payment of renewal fees under section 28 of the Registered Designs Ordinance

根據註冊外觀設計規則第 31 條刪除的註冊外觀設計

Registered designs removed under section 31 of the Registered Designs Rules

以下事項沒有記錄

No Records for the Following Matters

根據註冊外觀設計條例第 30 條放棄的外觀設計的註冊

Surrender of Registration of Design under section 30 of the Registered Designs Ordinance

根據註冊外觀設計規則第 37 條，向處長作出轉介

Reference to Registrar under section 37 of the Registered Designs Rules

根據註冊外觀設計條例第 45 條，撤銷註冊

Revocation of Registration under section 45 of the Registered Designs Ordinance

根據註冊外觀設計規則第 46 條，向法院作出轉介

Reference to Court under section 46 of the Registered Designs Rules

根據註冊外觀設計規則第 63 條對不符合規定之處作出糾正

Rectification of Irregularities under section 63 of the Registered Designs Rules

根據註冊外觀設計條例第 66 條，糾正註冊紀錄冊

Rectification of Register under section 66 of the Registered Designs Ordinance

根據註冊外觀設計條例第 67 條 更正註冊紀錄冊內的錯誤

Correction of errors in Register under section 67 of the Registered Designs Ordinance

根據註冊外觀設計條例第 67 及 76 條，更正註冊紀錄冊內及已提交文件中的錯誤

Correction of Errors in Register and in Filed Documents under sections 67 and 76 of the Registered Designs Ordinance

根據註冊外觀設計條例第 76 條，更正已提交文件中的錯誤

Correction of errors in filed documents under section 76 of the Registered Designs Ordinance

勘誤

Corrigendum

註冊外觀設計公告註釋

Notes on advertisements of registration of designs

方括號表示下列資料：

Square brackets indicate the following data：

[11] 註冊編號 Registration number / 聯合王國註冊編號 United Kingdom registration number

[15] 註冊日期 Registration date / 當作註冊日期 Deemed registration date / 聯合王國註冊日期 United Kingdom registration date

[17] 註冊有效期屆滿日期 Expiry date of the period of registration

[22] 提交日期 Filing date / 當作提交日期 Deemed filing date / 聯合王國提交日期 United Kingdom filing date

[30] 聲稱享有的優先權（提交日期 / 巴黎公約國或世界貿易組織成員 / 申請編號） Priority claimed (filing date / Paris Convention country or WTO member / application number)

[51] 國際外觀設計分類號（洛迦諾分類號） International Classification of designs (Locarno Classification)

[54] 物品 Article

[55] 外觀設計的表述 Representation of the design

[62] 分開前的申請編號及提交日期 Application number before division and filing date

[66] 過往註冊的聯繫外觀設計註冊編號 / 日期 Registration No. / Date of Previous Registration for Association

[72] 設計人 Designer

[73] 擁有人姓名和地址 Name and address of the owner

[74] 代理人 Agent /送達地址 Address for service



香港特別行政區政府知識產權署外觀設計註冊處
The Government of the Hong Kong Special Administrative Region
Designs Registry, Intellectual Property Department

根據註冊外觀設計條例第 25 條註冊的外觀設計

Designs registered under section 25 of the Registered Designs Ordinance

按註冊編號排列

Arranged by Registration Number

[11] 2118781.0M001

[15] 30-09-2021

[30] 31-03-2021 / EU / 008481667-0001

[51] Cl. 7-02

[54] 烹飪機
Cooker

[73] Koninklijke Philips N.V.
High Tech Campus 52,
5656 AG Eindhoven,
Netherlands

[74] CHANG TSI AND PARTNERS INTELLECTUAL PROPERTY (HK) LIMITED
Level 19, Two Int'l Finance Ctr,
8 Finance St,
Central, Hong Kong



[11] 2118781.0M002

[15] 30-09-2021

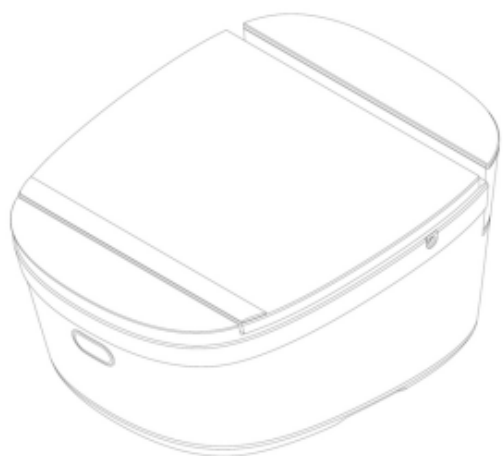
[30] 31-03-2021 / EU / 008481667-0002

[51] Cl. 7-02

[54] 烹飪機
Cooker

[73] Koninklijke Philips N.V.
High Tech Campus 52,
5656 AG Eindhoven,
Netherlands

[74] CHANG TSI AND PARTNERS INTELLECTUAL PROPERTY (HK) LIMITED
Level 19, Two Int'l Finance Ctr,
8 Finance St,
Central, Hong Kong



[11] 2118781.0M003

[15] 30-09-2021

[30] 31-03-2021 / EU / 008481667-0003

[51] Cl. 7-02

[54] 烹飪機
Cooker

[73] Koninklijke Philips N.V.
High Tech Campus 52,
5656 AG Eindhoven,
Netherlands

[74] CHANG TSI AND PARTNERS INTELLECTUAL PROPERTY (HK) LIMITED
Level 19, Two Int'l Finance Ctr,
8 Finance St,
Central, Hong Kong



[11] 2118781.0M004

[15] 30-09-2021

[30] 31-03-2021 / EU / 008481667-0004

[51] Cl. 7-02

[54] 烹飪機
Cooker

[73] Koninklijke Philips N.V.
High Tech Campus 52,
5656 AG Eindhoven,
Netherlands

[74] CHANG TSI AND PARTNERS INTELLECTUAL PROPERTY (HK) LIMITED
Level 19, Two Int'l Finance Ctr,
8 Finance St,
Central, Hong Kong



[11] 2118781.0M005

[15] 30-09-2021

[30] 31-03-2021 / EU / 008481667-0005

[51] Cl. 7-02

[54] 烹飪機
Cooker

[73] Koninklijke Philips N.V.
High Tech Campus 52,
5656 AG Eindhoven,
Netherlands

[74] CHANG TSI AND PARTNERS INTELLECTUAL PROPERTY (HK) LIMITED
Level 19, Two Int'l Finance Ctr,
8 Finance St,
Central, Hong Kong



[11] 2118781.0M006

[15] 30-09-2021

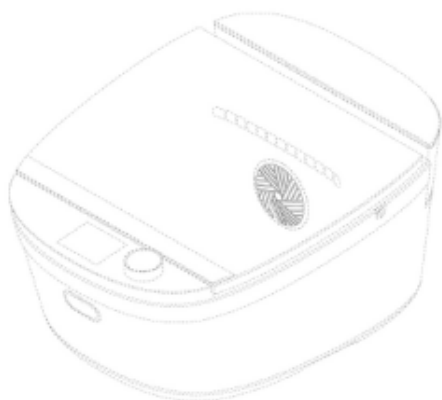
[30] 31-03-2021 / EU / 008481667-0006

[51] Cl. 7-02

[54] 烹飪機
Cooker

[73] Koninklijke Philips N.V.
High Tech Campus 52,
5656 AG Eindhoven,
Netherlands

[74] CHANG TSI AND PARTNERS INTELLECTUAL PROPERTY (HK) LIMITED
Level 19, Two Int'l Finance Ctr,
8 Finance St,
Central, Hong Kong



[11] 2118781.0M007

[15] 30-09-2021

[30] 31-03-2021 / EU / 008481667-0008

[51] Cl. 7-02

[54] 食物托盤

Food tray

[73] Koninklijke Philips N.V.

High Tech Campus 52,

5656 AG Eindhoven,

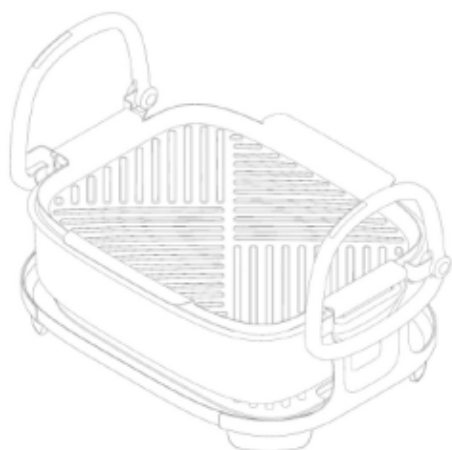
Netherlands

[74] CHANG TSI AND PARTNERS INTELLECTUAL PROPERTY (HK) LIMITED

Level 19, Two Int'l Finance Ctr,

8 Finance St,

Central, Hong Kong



[11] 2118781.0M008

[15] 30-09-2021

[30] 31-03-2021 / EU / 008481667-0010

[51] Cl. 7-02

[54] 食物托盤

Food tray

[73] Koninklijke Philips N.V.

High Tech Campus 52,

5656 AG Eindhoven,

Netherlands

[74] CHANG TSI AND PARTNERS INTELLECTUAL PROPERTY (HK) LIMITED

Level 19, Two Int'l Finance Ctr,

8 Finance St,

Central, Hong Kong



[11] 2118877.4M001

[15] 22-10-2021

[30] 23-04-2021 / CA, HR, RU, RS, SG, CH, TR, GB, EU, IL, JP, KR /
WIPO104184

[51] Cl. 21-01

[54] 比例汽車模型

Scale car model

[73] MASERATI S.P.A.

Viale Ciro Menotti 322,

I-41121 Modena,

Italy

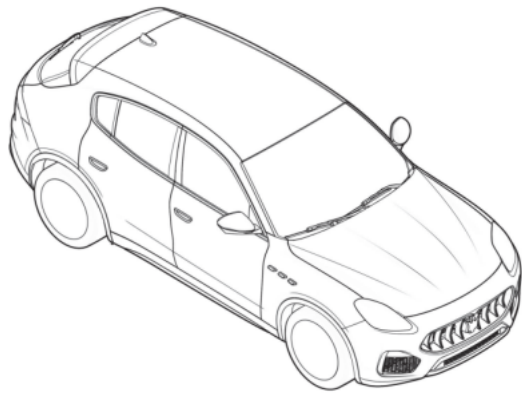
[74] BARRON & YOUNG INTELLECTUAL PROPERTY LIMITED

Suite 617, Lakeside 2,

No. 10 Science Park West Avenue,

Hong Kong Science Park,

Shatin, N.T., Hong Kong



[11] 2118877.4M002

[15] 22-10-2021

[51] Cl. 21-01

[54] 比例汽車模型

Scale car model

[73] MASERATI S.P.A.

Viale Ciro Menotti 322,

I-41121 Modena,

Italy

[74] BARRON & YOUNG INTELLECTUAL PROPERTY LIMITED

Suite 617, Lakeside 2,

No. 10 Science Park West Avenue,

Hong Kong Science Park,

Shatin, N.T., Hong Kong



[11] 2118878.6M001

[15] 22-10-2021

[30] 23-04-2021 / CA, HR, RU, RS, SG, CH, TR, GB, EU, IL, JP, KR /
WIPO104181

[51] Cl. 12-08

[54] 汽車

Car

[73] MASERATI S.P.A.

Viale Ciro Menotti 322,

I-41121 Modena,

Italy

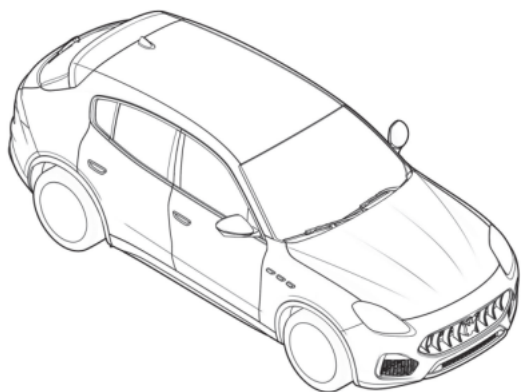
[74] BARRON & YOUNG INTELLECTUAL PROPERTY LIMITED

Suite 617, Lakeside 2,

No. 10 Science Park West Avenue,

Hong Kong Science Park,

Shatin, N.T., Hong Kong



[11] 2118878.6M002

[15] 22-10-2021

[51] Cl. 12-08

[54] 汽車

Car

[73] MASERATI S.P.A.

Viale Ciro Menotti 322,

I-41121 Modena,

Italy

[74] BARRON & YOUNG INTELLECTUAL PROPERTY LIMITED

Suite 617, Lakeside 2,

No. 10 Science Park West Avenue,

Hong Kong Science Park,

Shatin, N.T., Hong Kong



[11] 2118905.5

[15] 29-10-2021

[30] 28-10-2021 / US / 29/813,373

30-04-2021 / US / 29/781,860

[51] Cl. 14-04

[54] 顯示屏或其部分具夢幻運動玩家資訊

Display screen or portion thereof with fantasy sports player information

[73] World Champion Fantasy Inc.

714 Spirit 40 Park Drive,
Suite 145, Chesterfield, MO 63005,
United States of America

[74] MARKS & CLERK

Level 9, Cyberport 1,
100 Cyberport Road,
Pok Fu Lam, Hong Kong



[11] 2118906.7

[15] 29-10-2021

[30] 28-10-2021 / US / 29/813,379
30-04-2021 / US / 29/781,862

[51] Cl. 14-04

[54] 顯示屏或其部分具夢幻運動玩家彈出
Display screen or portion thereof with fantasy sports player
pop out

[73] World Champion Fantasy Inc.
714 Spirit 40 Park Drive,
Suite 145, Chesterfield, MO 63005,
United States of America

[74] MARKS & CLERK
Level 9, Cyberport 1,
100 Cyberport Road,
Pok Fu Lam, Hong Kong



[11] 2118907.9

[15] 29-10-2021

[30] 28-10-2021 / US / 29/813,377
30-04-2021 / US / 29/781,861

[51] Cl. 14-04

[54] 顯示屏或其部分具夢幻運動玩家彈出
Display screen or portion thereof with fantasy sports player
pop out

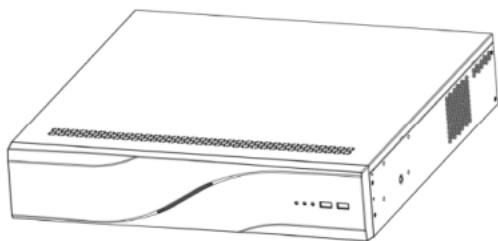
[73] World Champion Fantasy Inc.
714 Spirit 40 Park Drive,
Suite 145, Chesterfield, MO 63005,
United States of America

[74] MARKS & CLERK
Level 9, Cyberport 1,

100 Cyberport Road,
Pok Fu Lam, Hong Kong



-
- [11] 2119222.6
 - [15] 24-12-2021
 - [30] 05-07-2021 / CN / 202130422332.X
 - [51] C1. 14-02
 - [54] 邊緣計算主機
Edge computing host
 - [73] 上海商湯智能科技有限公司
SHANGHAI SENSETIME INTELLIGENT TECHNOLOGY CO., LTD.
中國內地
上海市徐匯區桂平路 391 號
3 號樓 1605A 室
 - [74] 香港派特恩知識產權代理有限公司
香港上環
永樂街 121-125 號
永達商業大廈 10 樓 C 室



-
- [11] 2119245.5
 - [15] 05-01-2022

[51] Cl. 24-02

[54] 壓力耳環

Pressure earring

[73] 匯忠有限公司

Allied Moral Limited

10/F, Lee Kar Building,

4-4A Carnarvon Road,

Tsim Sha Tsui, Kowloon, Hong Kong

[74] Allied Moral Limited

10/F, Lee Kar Building,

4-4A Carnarvon Road,

Tsim Sha Tsui, Kowloon, Hong Kong



[11] 2219289.8M001

[15] 13-01-2022

[30] 03-08-2021 / JP / 016908 of 2021

[51] Cl. 20-01

[54] 物品供應裝置

Article supply device

[73] Kabushiki Kaisha Bandai (Bandai Co., Ltd.)

4-8, Komagata 1-chome,

Taito-ku, Tokyo,

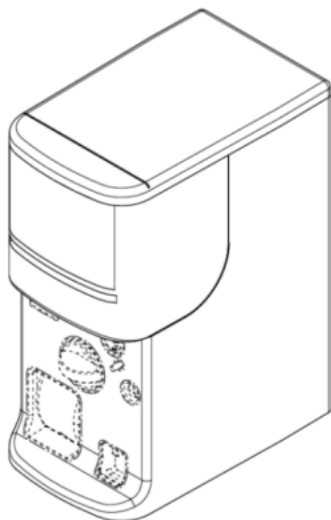
Japan

[74] SIMMONS & SIMMONS

30th Floor, One Taikoo Place,

979 King's Road,

Hong Kong



[11] 2219289.8M002

[15] 13-01-2022

[30] 03-08-2021 / JP / 016909 of 2021

[51] Cl. 20-01

[54] 物品供應裝置

Article supply device

[73] Kabushiki Kaisha Bandai (Bandai Co., Ltd.)

4-8, Komagata 1-chome,

Taito-ku, Tokyo,

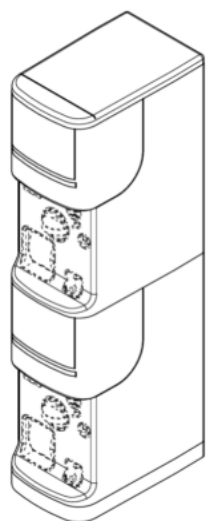
Japan

[74] SIMMONS & SIMMONS

30th Floor, One Taikoo Place,

979 King's Road,

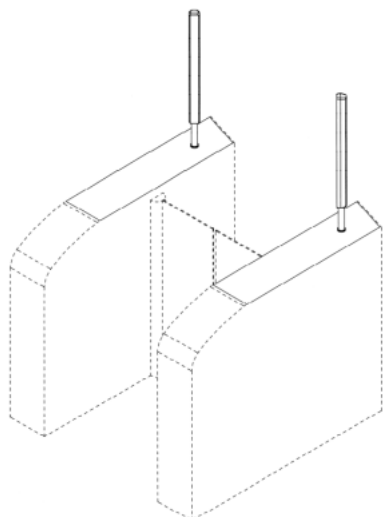
Hong Kong



- [11] 2219349.6
[15] 27-01-2022
[30] 25-09-2021 / EU / 008705768-0001
[51] Cl. 7-01
[54] 飲用容器用蓋
Lid for drinking vessels
[73] 恆豐國際實業有限公司
HANG FUNG INTERNATIONAL INDUSTRIAL CO., LTD.
Unit 13, 8/F, Harbour Centre, Tower 1,
1 Hok Cheung Street, Hunghom,
Kowloon, Hong Kong
[74] UNION PATENT SERVICE CENTRE
Units E-F, 20th Floor, Neich Tower,
128 Gloucester Road,
Hong Kong



-
- [11] 2219389.0
[15] 08-02-2022
[30] 20-08-2021 / JP / 017958 of 2021
[51] Cl. 26-05
[54] 用於認證的照明器材
Lighting equipment for authentication
[73] NEC Corporation
7-1, Shiba 5-chome Minato-ku,
Tokyo 108-8001,
Japan
[74] EMILY YIP & CO LIMITED
1st Floor, Kingsfield Centre,
18 Shell Street, Fortress Hill,
Hong Kong



[11] 2219395.3M001

[15] 10-02-2022

[30] 20-12-2021 / JP / 027961 of 2021

[51] Cl. 9-05

[54] 包裝袋

Packing pouch

[73] 久光製藥株式會社

HISAMITSU PHARMACEUTICAL CO., INC.

408, Tashirodaikan-machi,

Tosu-shi, Saga 841-0017,

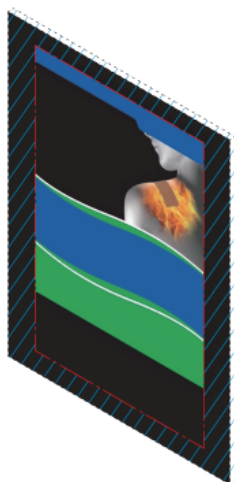
Japan

[74] WILKINSON & GRIST

6th Floor, Prince's Building,

Chater Road,

Hong Kong

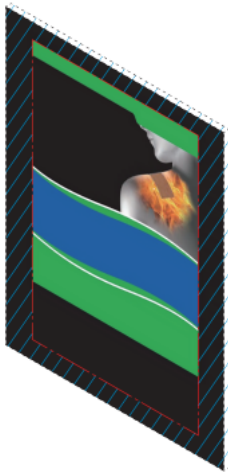


-
- [11] 2219395.3M002
[15] 10-02-2022
[30] 20-12-2021 / JP / 027961 of 2021
[51] Cl. 9-05
[54] 包裝袋
Packing pouch
[73] 久光製藥株式會社
HISAMITSU PHARMACEUTICAL CO., INC.
408, Tashiroduaikan-machi,
Tosu-shi, Saga 841-0017,
Japan
[74] WILKINSON & GRIST
6th Floor, Prince's Building,
Chater Road,
Hong Kong



-
- [11] 2219395.3M003
[15] 10-02-2022
[30] 20-12-2021 / JP / 027962 of 2021
[51] Cl. 9-05
[54] 包裝袋
Packing pouch
[73] 久光製藥株式會社
HISAMITSU PHARMACEUTICAL CO., INC.
408, Tashiroduaikan-machi,
Tosu-shi, Saga 841-0017,
Japan
[74] WILKINSON & GRIST
6th Floor, Prince's Building,

Chater Road,
Hong Kong



[11] 2219395.3M004

[15] 10-02-2022

[30] 20-12-2021 / JP / 027962 of 2021

[51] Cl. 9-05

[54] 包裝袋

Packing pouch

[73] 久光製藥株式會社

HISAMITSU PHARMACEUTICAL CO., INC.

408, Tashirodaikan-machi,

Tosu-shi, Saga 841-0017,

Japan

[74] WILKINSON & GRIST

6th Floor, Prince's Building,

Chater Road,

Hong Kong



[11] 2219395.3M005

[15] 10-02-2022

[30] 07-02-2022 / JP / 002322 of 2022

[51] Cl. 9-03

[54] 包裝盒

Packing box

[73] 久光製藥株式會社

HISAMITSU PHARMACEUTICAL CO., INC.

408, Tashirodaikan-machi,

Tosu-shi, Saga 841-0017,

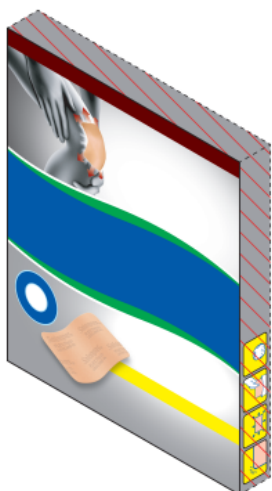
Japan

[74] WILKINSON & GRIST

6th Floor, Prince's Building,

Chater Road,

Hong Kong

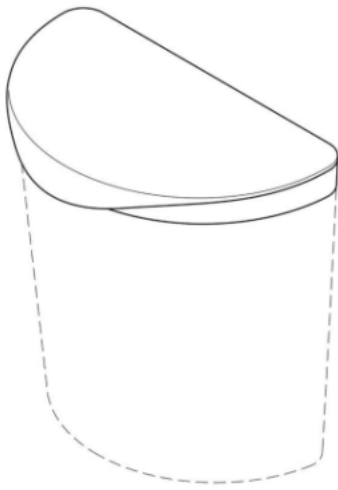


- [11] 2219395.3M006
[15] 10-02-2022
[30] 07-02-2022 / JP / 002322 of 2022
[51] Cl. 9-03
[54] 包裝盒
Packing box
[73] 久光製藥株式會社
HISAMITSU PHARMACEUTICAL CO., INC.
408, Tashirodaikan-machi,
Tosu-shi, Saga 841-0017,
Japan
[74] WILKINSON & GRIST
6th Floor, Prince's Building,
Chater Road,
Hong Kong



- [11] 2219446.2
[15] 25-02-2022
[30] 27-08-2021 / JP / 018471 of 2021
[51] Cl. 9-09
[54] 垃圾桶蓋
Trash can cover
[73] 株式會社伊勢藤
Iseto Co., Ltd.
2-13-11, Morikawachi Nishi,
Higashiosaka-Shi,
Osaka, 577-0061, Japan
[74] MARKS & CLERK
Level 9, Cyberport 1,

100 Cyberport Road,
Pok Fu Lam, Hong Kong



[11] 2219447.4M001

[15] 28-02-2022

[30] 08-10-2021 / US, EU, KR / WIPO109246

[51] Cl. 31-00

[54] 電動水果榨汁機

Electric fruit juicer

[73] 蘇姆莫創新機械獨資有限公司

ZUMMO INNOVACIONES MECANICAS, S.A.U.

C/Cadiz No 4,

46113 Moncada,

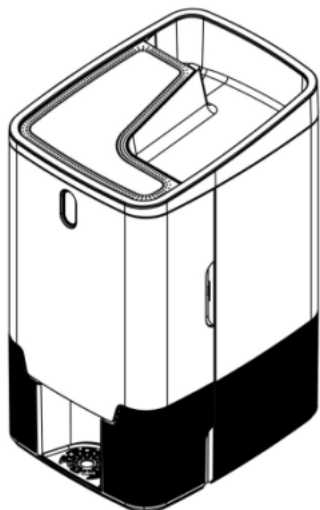
Spain

[74] CLT PATENT & TRADEMARK (H.K.) LIMITED

Unit 09, 34/F., Office Tower,

Convention Plaza, 1 Harbour Road,

Wanchai, Hong Kong



[11] 2219447.4M002

[15] 28-02-2022

[30] 08-10-2021 / US, EU, KR / WIPO109246

[51] Cl. 31-00

[54] 用於電動榨汁機的榨汁機構

Juicer mechanism of electric fruit juicer

[73] 蘇姆莫創新機械獨資有限公司

ZUMMO INNOVACIONES MECANICAS, S.A.U.

C/Cadiz No 4,

46113 Moncada,

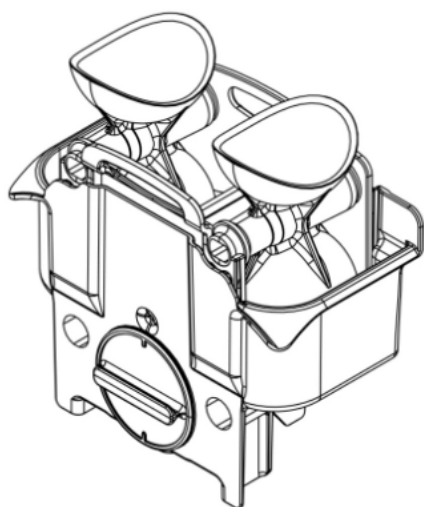
Spain

[74] CLT PATENT & TRADEMARK (H.K.) LIMITED

Unit 09, 34/F., Office Tower,

Convention Plaza, 1 Harbour Road,

Wanchai, Hong Kong



[11] 2219496.7

[15] 09-03-2022

[51] Cl. 10-05

[54] 氣候傳感器
Climate sensor

[73] 樂無形科技有限公司
Invisible Fun Studio Limited
608, Block 2, Yip On FTY Est,
1-3 Wang Hoi Road, Kowloon Bay,
Kowloon, Hong Kong

[74] 樂無形科技有限公司
608, BLK2, Yip On FTY Est,
1-3 Wang Hoi Road, Kowloon Bay,
Kowloon, Hong Kong



[11] 2219539.0

[15] 22-03-2022

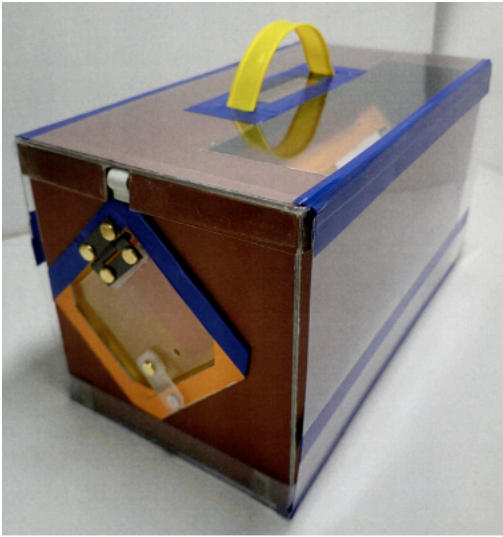
[51] Cl. 22-06

[54] 捕鼠器
Mouse trap

[73] 溫善鈞
WAN SIN KWAN
香港上水
天平路 50 號
安盛苑 16 樓 10 室

[74] 溫善鈞
香港上水

天平路 50 號
安盛苑 16 樓 10 室



-
- [11] 2219571.7
[15] 25-03-2022
[30] 28-02-2022 / SG, CH, GB, US, EU, JP, KR / WIPO114231
[51] Cl. 10-07
[54] 錶面
Watch dial
[73] Cartier International AG
Hinterbergstrasse 22,
6312 Steinhausen,
Switzerland
[74] ATL LAW OFFICES
16/F., China Hong Kong Tower,
8-12 Hennessy Road,
Wanchai, Hong Kong



[11] 2219572.9

[15] 25-03-2022

[30] 28-02-2022 / SG, CH, GB, US, EU, JP, KR / WIPO114229

[51] Cl. 10-02

[54] 錶

Watch

[73] Cartier International AG

Hinterbergstrasse 22,

6312 Steinhausen,

Switzerland

[74] ATL LAW OFFICES

16/F., China Hong Kong Tower,

8-12 Hennessy Road,

Wanchai, Hong Kong



- [11] 2219574.3
[15] 25-03-2022
[30] 27-02-2022 / SG, CH, GB, US, EU, JP, KR / DM/219 286
[51] Cl. 10-02
[54] 腕錶
Wristwatch
[73] Cartier International AG
Hinterbergstrasse 22,
6312 Steinhausen,
Switzerland
[74] ATL LAW OFFICES
16/F., China Hong Kong Tower,
8-12 Hennessy Road,
Wanchai, Hong Kong



-
- [11] 2219575.6
[15] 25-03-2022
[30] 26-02-2022 / SG, CH, GB, US, EU, JP, KR / DM/219 287
[51] Cl. 10-02
[54] 腕錶
Wristwatch
[73] Cartier International AG
Hinterbergstrasse 22,
6312 Steinhausen,
Switzerland
[74] ATL LAW OFFICES
16/F., China Hong Kong Tower,
8-12 Hennessy Road,
Wanchai, Hong Kong



[11] 2219576.8

[15] 25-03-2022

[30] 28-02-2022 / SG, CH, GB, US, EU, JP, KR / DM/219 397

[51] Cl. 10-02

[54] 錶

Watch

[73] Cartier International AG

Hinterbergstrasse 22,

6312 Steinhausen,

Switzerland

[74] ATL LAW OFFICES

16/F., China Hong Kong Tower,

8-12 Hennessy Road,

Wanchai, Hong Kong



[11] 2219611.3

[15] 30-03-2022

[51] Cl. 11-04

[54] 花擺設的產品展示佈局

Arrangement of product display for flower decorations

[73] I Love You Inc.

1810 E Sahara Ave Ste 215,

Las Vegas, NV 89104,

United States of America

[74] I Love You Limited

Unit 1, 11/F, Wing Sum Factory Building No. 2,

12-14 Sam Chuk Street,

San Po Kong, Hong Kong



[11] 2219621.4

[15] 30-03-2022

[51] Cl. 23-04

[54] 風扇

Electric fan

[73] 加減零株式會社

PLUS MINUS ZERO CO., LTD.

Kyobashi Trust Tower 8F,

2-1-3 Kyobashi, Chuo-Ku,

Tokyo 104-0031, Japan

[74] Sunhope Intellectual Property Limited (Attn: Miss Fiona Ko)

Room 902, 9/F, Qualipak Tower,

No. 121-122 Connaught Road West,

Hong Kong



[11] 2219622.6

[15] 30-03-2022

[51] Cl. 23-04

[54] 風扇

Electric fan

[73] 加減零株式會社

PLUS MINUS ZERO CO., LTD.

Kyobashi Trust Tower 8F,

2-1-3 Kyobashi, Chuo-Ku,

Tokyo 104-0031, Japan

[74] Sunhope Intellectual Property Limited (Attn: Miss Fiona Ko)

Room 902, 9/F, Qualipak Tower,

No. 121-122 Connaught Road West,

Hong Kong



[11] 2219627.7M001

[15] 31-03-2022

[30] 09-03-2022 / SG, CH, TR, GB, US, EU, KR / WIPO114388

[51] Cl. 10-07

[54] 錶面

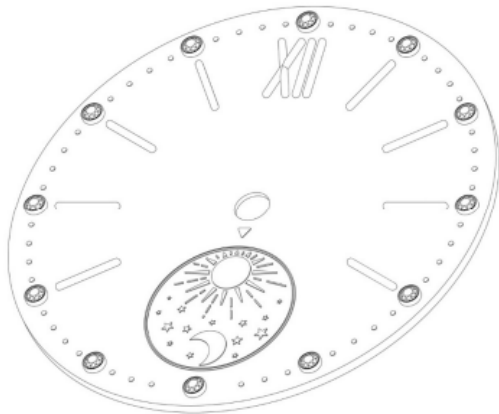
Watch dial

[73] RICHEMONT INTERNATIONAL SA

Route Des Biches 10,
1752 Villars-sur-Glâne,
Switzerland

[74] MINTERELLISON LLP

Level 32, Wu Chung House,
213 Queen's Road East,
Hong Kong



[11] 2219627.7M002

[15] 31-03-2022

[30] 09-03-2022 / SG, CH, TR, GB, US, EU, KR / WIPO114388

[51] Cl. 10-07

[54] 錶面

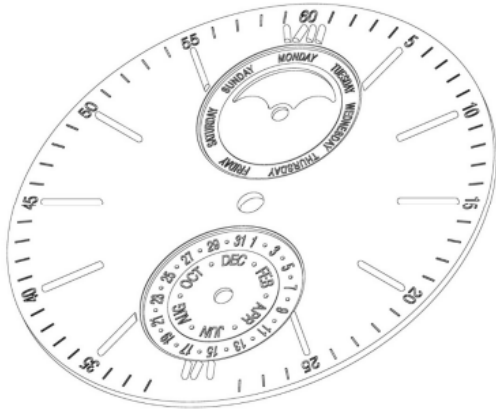
Watch dial

[73] RICHEMONT INTERNATIONAL SA

Route Des Biches 10,
1752 Villars-sur-Glâne,
Switzerland

[74] MINTERELLISON LLP

Level 32, Wu Chung House,
213 Queen's Road East,
Hong Kong



[11] 2219627.7M003

[15] 31-03-2022

[30] 09-03-2022 / SG, CH, TR, GB, US, EU, KR / WIPO114388

[51] Cl. 10-07

[54] 錶面

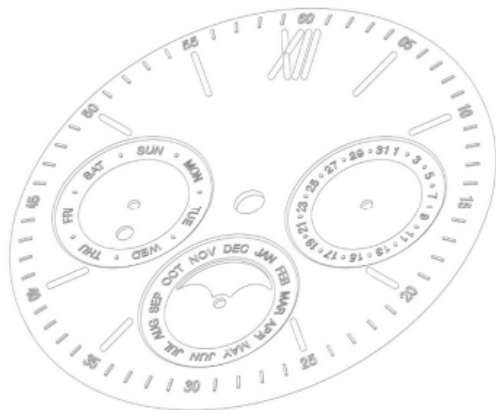
Watch dial

[73] RICHEMONT INTERNATIONAL SA

Route Des Biches 10,
1752 Villars-sur-Glâne,
Switzerland

[74] MINTERELLISON LLP

Level 32, Wu Chung House,
213 Queen's Road East,
Hong Kong



[11] 2219627.7M004

[15] 31-03-2022

[30] 09-03-2022 / SG, CH, TR, GB, US, EU, KR / WIPO114388

[51] Cl. 10-07

[54] 錶面

Watch dial

[73] RICHEMONT INTERNATIONAL SA

Route Des Biches 10,

1752 Villars-sur-Glâne,

Switzerland

[74] MINTERELLISON LLP

Level 32, Wu Chung House,

213 Queen's Road East,

Hong Kong



[11] 2219627.7M005

[15] 31-03-2022

[30] 09-03-2022 / SG, CH, TR, GB, US, EU, KR / WIPO114388

[51] Cl. 10-07

[54] 錶面

Watch dial

[73] RICHEMONT INTERNATIONAL SA

Route Des Biches 10,

1752 Villars-sur-Glâne,

Switzerland

[74] MINTERELLISON LLP

Level 32, Wu Chung House,

213 Queen's Road East,

Hong Kong



[11] 2219635.4

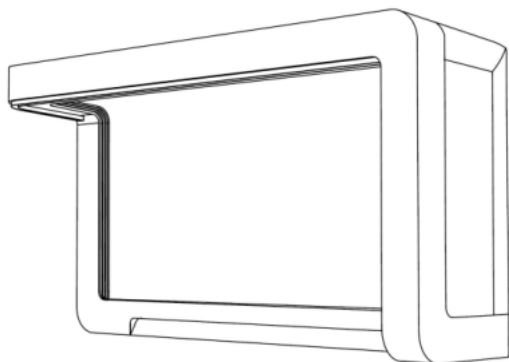
[15] 31-03-2022

[51] Cl. 25-03

[54] 巴士候車亭
Shelter

[73] Sino Innovation Laboratory Limited
11-12/F, Tsim Sha Tsui Centre,
Salisbury Road, Tsim Sha Tsui,
Kowloon, Hong Kong

[74] DEACONS
5th Floor, Alexandra House,
Central,
Hong Kong



[11] 2219653.1

[15] 04-04-2022

[51] Cl. 1-06

[54] 寵物食物
Pet food

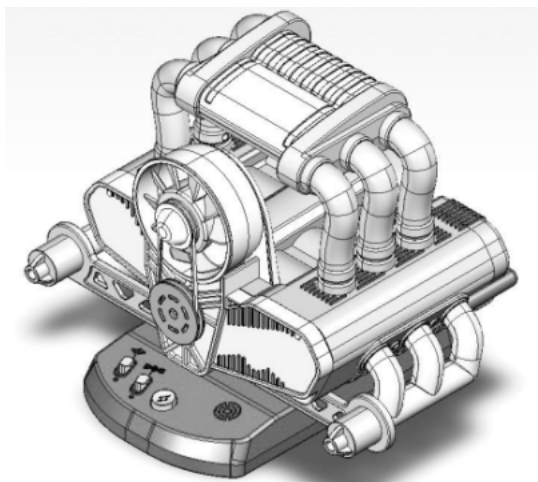
[73] 江詠琪以 OMJ 寵物食品之名營業
Kong Wing Ki trading as OMJ PET FOOD
Flat/Room B, 12/F,

Hang Seng Causeway Bay Building,
28 Yee Wo Street,
Causeway Bay, Hong Kong

- [74] GLOBAL INTELLECTUAL PROPERTY COMPANY LIMITED
Unit 602-3 & 5, 6/F, Exchange Tower,
33 Wang Chiu Road, Kowloon Bay,
Kowloon, Hong Kong



-
- [11] 2219656.8
[15] 04-04-2022
[51] Cl. 21-01
[54] 平 6 模型引擎
Flat 6 model engine
[73] 智科玩具有限公司
Amazing Toys Limited
Room 714, Peninsula Centre,
67 Mody Road, Tsimshatsui East,
Kowloon, Hong Kong
[74] BENNY KONG & TSAI
Unit 19B, Overseas Trust Bank Building,
No. 160 Gloucester Road,
Wanchai, Hong Kong



[11] 2219658.2M001

[15] 06-04-2022

[30] 01-11-2021 / CA, EG, LI, MK, MX, MN, MA, NO, OM, RU, SG, CH,
TN, TR, UA, GB, US, VN, EU, IS, IL, JP, KR / DM/217 914

[51] Cl. 9-02

[54] 用於油的儲存罐

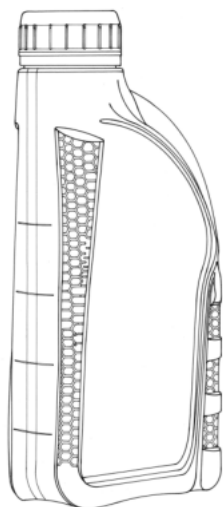
Storage can for oil

[73] FUCHS PETROLUB SE

Einsteinstrasse 11,
68169 Mannheim,
Germany

[74] WILKINSON & GRIST

6th Floor, Prince's Building,
Chater Road,
Hong Kong



[11] 2219658.2M002

[15] 06-04-2022

[30] 01-11-2021 / CA, EG, LI, MK, MX, MN, MA, NO, OM, RU, SG, CH,
TN, TR, UA, GB, US, VN, EU, IS, IL, JP, KR / DM/217 914

[51] Cl. 9-02

[54] 用於油的儲存罐

Storage can for oil

[73] FUCHS PETROLUB SE

Einsteinstrasse 11,

68169 Mannheim,

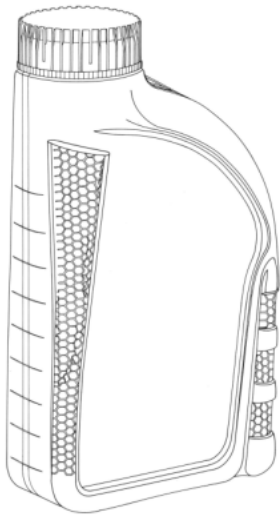
Germany

[74] WILKINSON & GRIST

6th Floor, Prince's Building,

Chater Road,

Hong Kong



[11] 2219658.2M003

[15] 06-04-2022

[30] 01-11-2021 / CA, EG, LI, MK, MX, MN, MA, NO, OM, RU, SG, CH,
TN, TR, UA, GB, US, VN, EU, IS, IL, JP, KR / DM/217 914

[51] Cl. 9-02

[54] 用於油的儲存罐

Storage can for oil

[73] FUCHS PETROLUB SE

Einsteinstrasse 11,

68169 Mannheim,

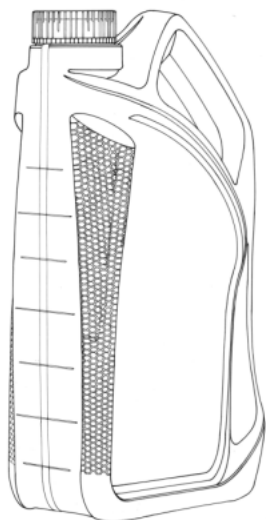
Germany

[74] WILKINSON & GRIST

6th Floor, Prince's Building,

Chater Road,

Hong Kong



[11] 2219658.2M004

[15] 06-04-2022

[30] 01-11-2021 / CA, EG, LI, MK, MX, MN, MA, NO, OM, RU, SG, CH, TN, TR, UA, GB, US, VN, EU, IS, IL, JP, KR / DM/217 914

[51] Cl. 9-02

[54] 用於油的儲存罐

Storage can for oil

[73] FUCHS PETROLUB SE

Einsteinstrasse 11,

68169 Mannheim,

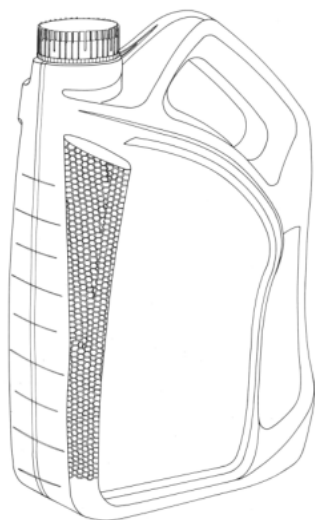
Germany

[74] WILKINSON & GRIST

6th Floor, Prince's Building,

Chater Road,

Hong Kong



[11] 2219658.2M005

[15] 06-04-2022

[30] 01-11-2021 / CA, EG, LI, MK, MX, MN, MA, NO, OM, RU, SG, CH,
TN, TR, UA, GB, US, VN, EU, IS, IL, JP, KR / DM/217 914

[51] Cl. 9-02

[54] 用於油的儲存罐

Storage can for oil

[73] FUCHS PETROLUB SE

Einsteinstrasse 11,

68169 Mannheim,

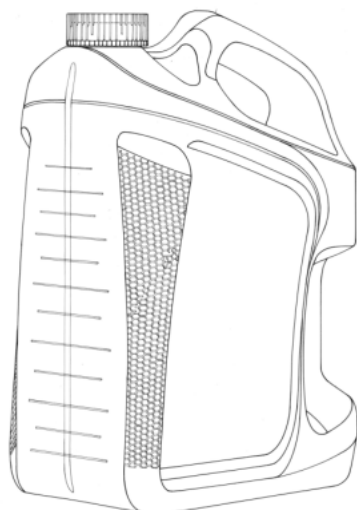
Germany

[74] WILKINSON & GRIST

6th Floor, Prince's Building,

Chater Road,

Hong Kong



[11] 2219659.4

[15] 06-04-2022

[30] 09-11-2021 / CA, AM, AZ, BZ, BA, GE, LI, MK, MD, MC, MN, ME,
MA, NO, OM, RU, SG, CH, TN, TR, UA, GB, EU, AL, KG / DM/217
407

[51] Cl. 10-02

[54] 錶連錶帶

Watch with bracelet

[73] Harry Winston SA

Chemin du Tourbillon 8,

CH-1228 Plan-les-Ouates,

Switzerland

- [74] SPRUSON & FERGUSON (HONG KONG) LIMITED
5001 Hopewell Centre,
183 Queen's Road East,
Wan Chai, Hong Kong



-
- [11] 2219660.6
[15] 06-04-2022
[30] 25-01-2022 / KR / 30-2022-0003401
[51] Cl. 7-10
[54] 保溫容器
Heat-insulating container
[73] 象印有限公司
ZOJIRUSHI CORPORATION
20-5, Tenma 1-chome, Kita-ku, Osaka-shi,
Osaka 530-8511,
Japan
[74] MARKS & CLERK
Level 9, Cyberport 1,
100 Cyberport Road,
Pok Fu Lam, Hong Kong



[11] 2219661.8M001

[15] 06-04-2022

[30] 18-01-2022 / EU / 008834501

[51] Cl. 15-09

[54] 壓鑄機部件

Part of casting machine

[73] Bühler AG

Gupfenstrasse 5,

9240 Uzwil,

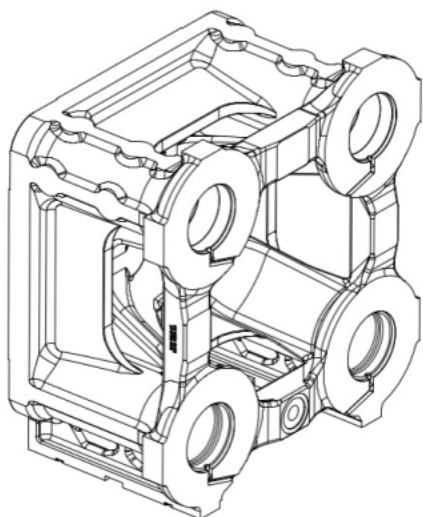
Switzerland

[74] NTD PATENT & TRADE MARK AGENCY LIMITED

Units 1805-6, 18/F., Greenfield Tower,

Concordia Plaza, No. 1 Science Museum Road,

Tsimshatsui East, Kowloon, Hong Kong



[11] 2219661.8M002

[15] 06-04-2022

[30] 18-01-2022 / EU / 008834501

[51] Cl. 15-09

[54] 壓鑄機部件

Part of casting machine

[73] Bühler AG

Gupfenstrasse 5,

9240 Uzwil,

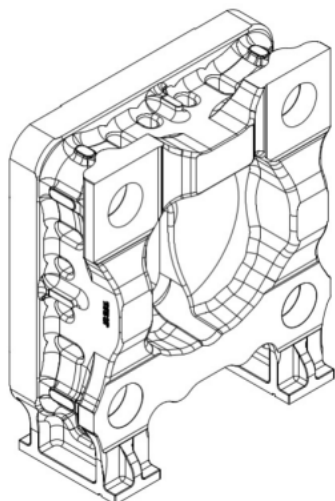
Switzerland

[74] NTD PATENT & TRADE MARK AGENCY LIMITED

Units 1805-6, 18/F., Greenfield Tower,

Concordia Plaza, No. 1 Science Museum Road,

Tsimshatsui East, Kowloon, Hong Kong



[11] 2219662.0M001

[15] 07-04-2022

[51] Cl. 26-05

[54] 燈具

Luminaire

[73] Plejd AB

Krokslätts fabriker 72,

SE-431 37 Mölndal,

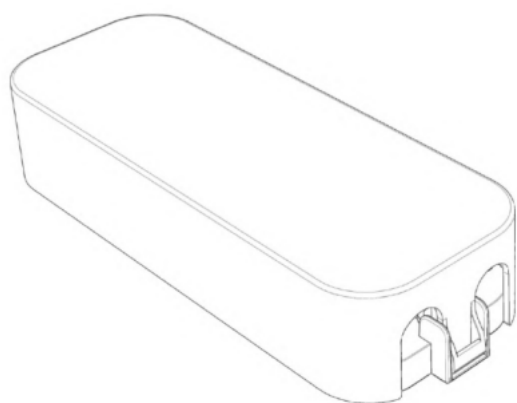
Sweden

[74] VIVIEN CHAN & CO

32/F, Harbour Centre,

25 Harbour Road,

Wanchai, Hong Kong



[11] 2219662.0M002

[15] 07-04-2022

[51] Cl. 26-05

[54] 燈具

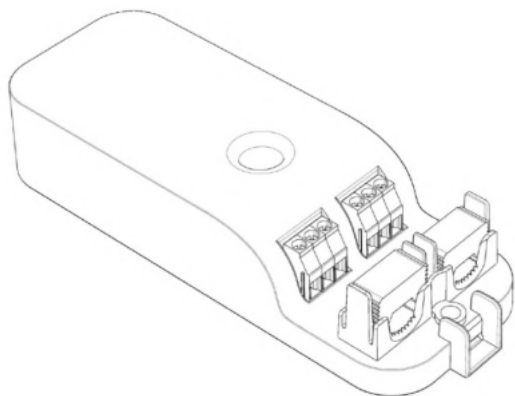
Luminaire

[73] Plejd AB

Krokslätts fabriker 72,
SE-431 37 Mölndal,
Sweden

[74] VIVIEN CHAN & CO

32/F, Harbour Centre,
25 Harbour Road,
Wanchai, Hong Kong



[11] 2219663.2

[15] 07-04-2022

[30] 24-03-2022 / KR / 30-2022-0011556

[51] Cl. 28-03

[54] 化妝品用刮勺

Cosmetic spatula

[73] AMOREPACIFIC CORPORATION

100, Hangang-daero,
Yongsan-gu, Seoul,
Republic of Korea

[74] TRADEMARKCN COMPANY LIMITED

Block A, 4/F., Granville Building,
14 Granville Road, Tsim Sha Tsui,
Kowloon, Hong Kong



[11] 2219666.9

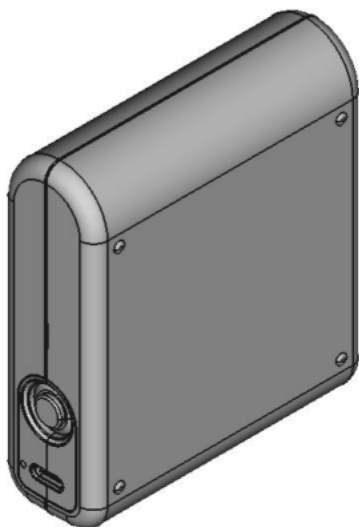
[15] 07-04-2022

[51] Cl. 23-04

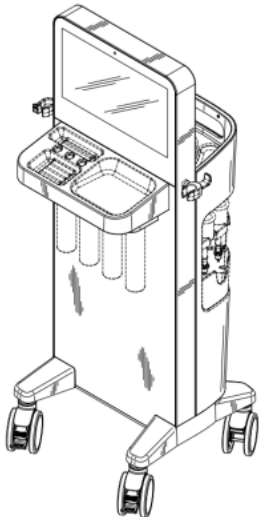
[54] 便攜式 222 納米遠紫外光消毒機
Portable 222nm Far-UVC sterilizer

[73] 禾谷健康科技有限公司
ERGO HealthTech Limited
香港尖沙咀
科學館道 9 號
新東海商業中心 211 室

[74] 卓遠知識產權有限公司
香港上環
禧利街 27 號
富輝商業中心 10 樓

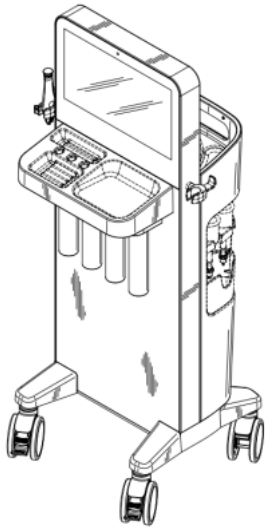


- [11] 2219668.3M001
[15] 08-04-2022
[30] 11-10-2021 / US / 29/811,066
[51] Cl. 28-02
[54] 皮膚治療系統
Skin treatment system
[73] 邊緣系統有限公司
EDGE SYSTEMS LLC
2165 E. Spring Street,
Long Beach, CA 90806,
United States of America
[74] ORIENTAL INTELLECTUAL PROPERTY SERVICES CO.
Flat B, 38/F, South Tower 3, Phase 2,
Residence Bal-Air,
Hong Kong



-
- [11] 2219668.3M002
[15] 08-04-2022
[30] 11-10-2021 / US / 29/811,066
[51] Cl. 28-02
[54] 皮膚治療系統
Skin treatment system
[73] 邊緣系統有限公司
EDGE SYSTEMS LLC
2165 E. Spring Street,
Long Beach, CA 90806,
United States of America
[74] ORIENTAL INTELLECTUAL PROPERTY SERVICES CO.
Flat B, 38/F, South Tower 3, Phase 2,

Residence Bal-Air,
Hong Kong



[11] 2219668.3M003

[15] 08-04-2022

[30] 11-10-2021 / US / 29/811,066

[51] Cl. 28-02

[54] 皮膚治療系統

Skin treatment system

[73] 邊緣系統有限公司

EDGE SYSTEMS LLC

2165 E. Spring Street,

Long Beach, CA 90806,

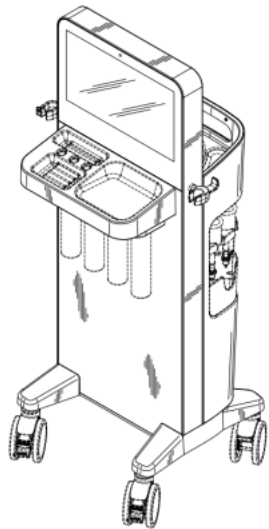
United States of America

[74] ORIENTAL INTELLECTUAL PROPERTY SERVICES CO.

Flat B, 38/F, South Tower 3, Phase 2,

Residence Bal-Air,

Hong Kong



[11] 2219673.3

[15] 08-04-2022

[51] Cl. 28-03

[54] 美容儀器

Beauty apparatus

[73] MAGIC LAB LIMITED

Flat/Rm 14, Block B, 7/F,

Hong Kong Industrial Centre,

489-491 Castle Peak Road, Lai Chi Kok,

Kowloon, Hong Kong

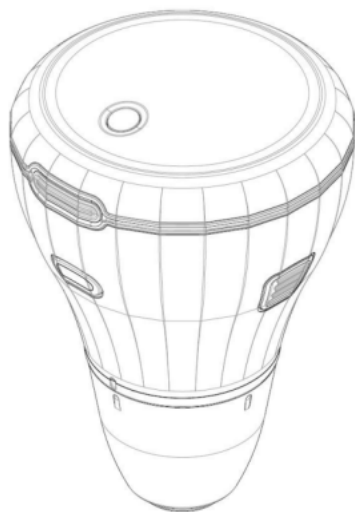
[74] CONPAK INTELLECTUAL PROPERTY LIMITED

Rooms 05-15, 13A/F, South Tower,

World Finance Centre, Harbour City,

17 Canton Road, Tsim Sha Tsui,

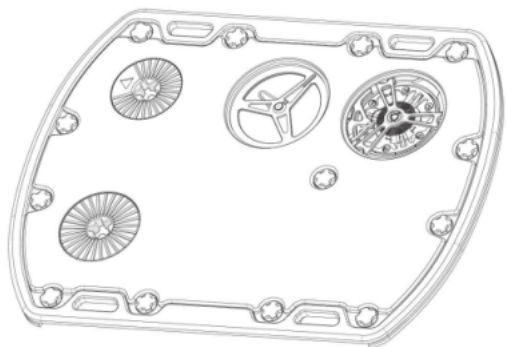
Kowloon, Hong Kong



- [11] 2219674.5
[15] 11-04-2022
[51] Cl. 23-04
[54] 高效顆粒空氣過濾結合紫外線的空氣淨化機
HEPA cum UV-C air purifier
[73] 創品科技有限公司
Inno3C Limited
Flat/Rm 1902-03, 19/F, Elite Centre,
22 Hung To Road, Kwun Tong,
Kowloon, Hong Kong
[74] Inno3C Limited(創品科技有限公司)
Flat/Rm 1902-03, 19/F, Elite Centre,
22 Hung To Road, Kwun Tong,
Kowloon, Hong Kong



-
- [11] 2219679.6
[15] 11-04-2022
[30] 28-10-2021 / CA, LI, MX, MC, OM, RU, SG, CH, TR, UA, GB, US,
VN, EU, IS, JP, KR / WIPO109767
[51] Cl. 10-02
[54] 手錶
Watch
[73] Turlen Holding SA
Rue du Jura 11,
2345 Les Breuleux,
Switzerland
[74] WILKINSON & GRIST
6th Floor, Prince's Building,
Chater Road,
Hong Kong



[11] 2219681.0M001

[15] 11-04-2022

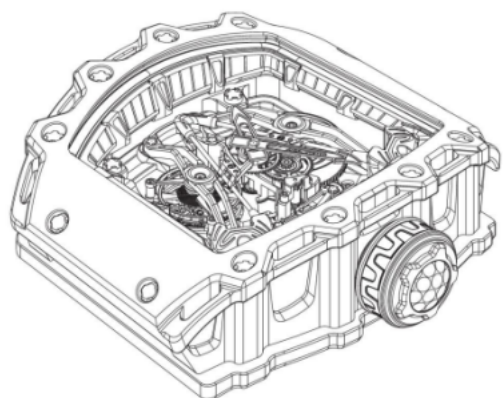
[30] 28-10-2021 / CA, LI, MX, MC, OM, RU, SG, CH, TR, UA, GB, US,
VN, EU, IS, JP, KR / WIPO109908

[51] Cl. 10-02

[54] 手錶
Watch

[73] Turlen Holding SA
Rue du Jura 11,
2345 Les Breuleux,
Switzerland

[74] WILKINSON & GRIST
6th Floor, Prince's Building,
Chater Road,
Hong Kong



[11] 2219681.0M002

[15] 11-04-2022

[30] 28-10-2021 / CA, LI, MX, MC, OM, RU, SG, CH, TR, UA, GB, US,
VN, EU, IS, JP, KR / WIPO109908

[51] Cl. 10-07

[54] 錶殼

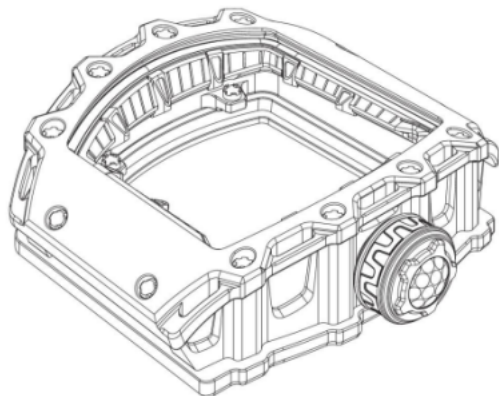
Watch case

[73] Turlen Holding SA

Rue du Jura 11,
2345 Les Breuleux,
Switzerland

[74] WILKINSON & GRIST

6th Floor, Prince's Building,
Chater Road,
Hong Kong



[11] 2219683.4

[15] 11-04-2022

[51] Cl. 14-01

[54] 音箱

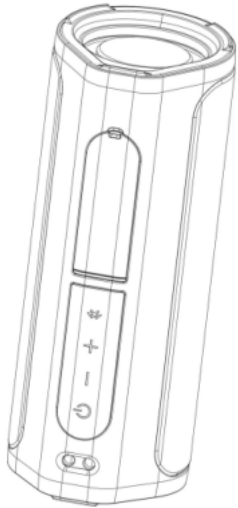
Speaker box

[73] 深圳市伊粉世嘉科技有限公司

Shenzhen Ibetter Technology Co., Limited
中國廣東省
深圳市龍華區福城街道
茜坑社區觀瀾大道 19 號 15 棟 604

[74] HONG KONG DECENT INTELLECTUAL PROPERTY AGENT LIMITED

香港
文咸東街 78 號
華東商業大廈三樓



[11] 2219688.5

[15] 11-04-2022

[51] Cl. 12-11

[54] 多功能摩托車

Multifunctional motorcycle

[73] 銘凱科技(香港)有限公司

Mking Technology (HongKong) Co., Limited

Flat 01C3, 10/F, Carnival Comm Bldg,
18 Java Rd,

North Point, Hong Kong

[74] ZAN IP INTERNATIONAL LIMITED

Flat/Rm 230, 2/F, Bldg 12W Phase 3,

12 Science Park West Avenue,
HK Sciencepark, Shatin,

New Territories, Hong Kong



[11] 2219691.1M001

[15] 12-04-2022

[30] 19-10-2021 / AM, AZ, BZ, BA, GE, LI, MK, MD, MC, MN, ME, MA,
NO, OM, SG, CH, TN, TR, UA, GB, EU, AL, KG / DM/217 006

[51] Cl. 10-02

[54] 錶

Watch

[73] OMEGA SA (OMEGA AG) (OMEGA LTD.)

Jakob-Stämpfli-Strasse 96,

CH-2502 Biel/Bienne,

Switzerland

[74] SPRUSON & FERGUSON (HONG KONG) LIMITED

5001 Hopewell Centre,

183 Queen's Road East,

Wan Chai, Hong Kong



[11] 2219691.1M002

[15] 12-04-2022

[30] 19-10-2021 / AM, AZ, BZ, BA, GE, LI, MK, MD, MC, MN, ME, MA,
NO, OM, SG, CH, TN, TR, UA, GB, EU, AL, KG / DM/217 006

[51] Cl. 10-02

[54] 錶

Watch

[73] OMEGA SA (OMEGA AG) (OMEGA LTD.)

Jakob-Stämpfli-Strasse 96,

CH-2502 Biel/Bienne,

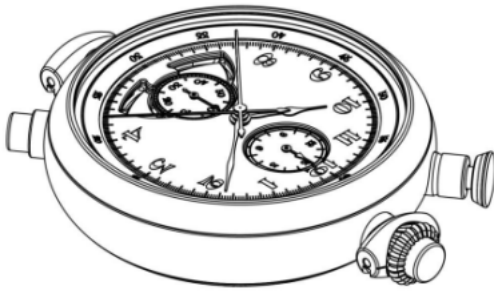
Switzerland

[74] SPRUSON & FERGUSON (HONG KONG) LIMITED

5001 Hopewell Centre,

183 Queen's Road East,

Wan Chai, Hong Kong



[11] 2219691.1M003

[15] 12-04-2022

[30] 19-10-2021 / AM, AZ, BZ, BA, GE, LI, MK, MD, MC, MN, ME, MA,
NO, OM, SG, CH, TN, TR, UA, GB, EU, AL, KG / DM/217 006

[51] Cl. 10-07

[54] 手錶機芯

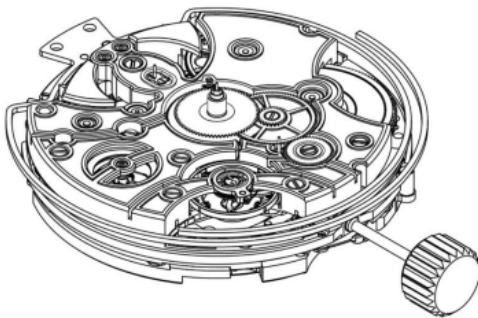
Watch movement

[73] OMEGA SA (OMEGA AG) (OMEGA LTD.)

Jakob-Stämpfli-Strasse 96,
CH-2502 Biel/Bienne,
Switzerland

[74] SPRUSON & FERGUSON (HONG KONG) LIMITED

5001 Hopewell Centre,
183 Queen's Road East,
Wan Chai, Hong Kong



[11] 2219692.3M001

[15] 12-04-2022

[30] 18-11-2021 / CA, AM, AZ, BZ, BA, GE, LI, MK, MD, MC, MN, ME,
MA, NO, OM, SG, CH, TN, TR, UA, GB, EU, AL, KG / DM/217 557

[51] Cl. 11-01

[54] 項鍊

Necklace

[73] Harry Winston SA

Chemin du Tourbillon 8,
CH-1228 Plan-les-Ouates,
Switzerland

[74] SPRUSON & FERGUSON (HONG KONG) LIMITED

5001 Hopewell Centre,
183 Queen's Road East,
Wan Chai, Hong Kong



[11] 2219692.3M002

[15] 12-04-2022

[30] 18-11-2021 / CA, AM, AZ, BZ, BA, GE, LI, MK, MD, MC, MN, ME,
MA, NO, OM, SG, CH, TN, TR, UA, GB, EU, AL, KG / DM/217 557

[51] Cl. 11-01

[54] 耳環

Earrings

[73] Harry Winston SA

Chemin du Tourbillon 8,
CH-1228 Plan-les-Ouates,
Switzerland

[74] SPRUSON & FERGUSON (HONG KONG) LIMITED

5001 Hopewell Centre,
183 Queen's Road East,
Wan Chai, Hong Kong

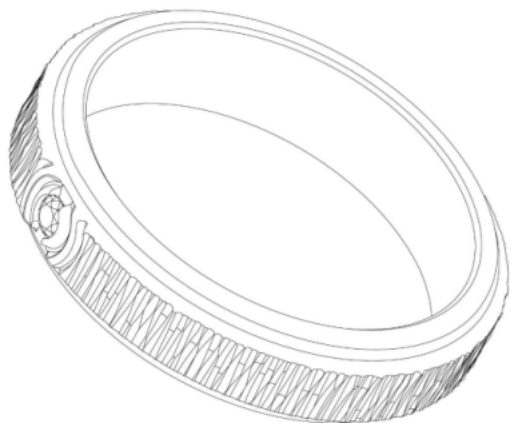


[11] 2219692.3M003

- [15] 12-04-2022
- [30] 18-11-2021 / CA, AM, AZ, BZ, BA, GE, LI, MK, MD, MC, MN, ME, MA, NO, OM, SG, CH, TN, TR, UA, GB, EU, AL, KG / DM/217 557
- [51] Cl. 11-01
- [54] 指環
Ring
- [73] Harry Winston SA
Chemin du Tourbillon 8,
CH-1228 Plan-les-Ouates,
Switzerland
- [74] SPRUSON & FERGUSON (HONG KONG) LIMITED
5001 Hopewell Centre,
183 Queen's Road East,
Wan Chai, Hong Kong



-
- [11] 2219714.1M001
- [15] 14-04-2022
- [30] 17-03-2022 / CH, GB, EU / WIPO114852
- [51] Cl. 11-01
- [54] 珠寶
Jewellery
- [73] RICHEMONT INTERNATIONAL SA
Route des biches 10,
1752 Villars-Sur-Glane,
Switzerland
- [74] LETTERS & THOO LIMITED
Suite 1008, Prosperity Millennia Plaza,
663 King's Road,
Quarry Bay, Hong Kong



[11] 2219714.1M002

[15] 14-04-2022

[30] 17-03-2022 / CH, GB, EU / WIPO114852

[51] Cl. 11-01

[54] 珠寶

Jewellery

[73] RICHEMONT INTERNATIONAL SA

Route des biches 10,

1752 Villars-Sur-Glane,

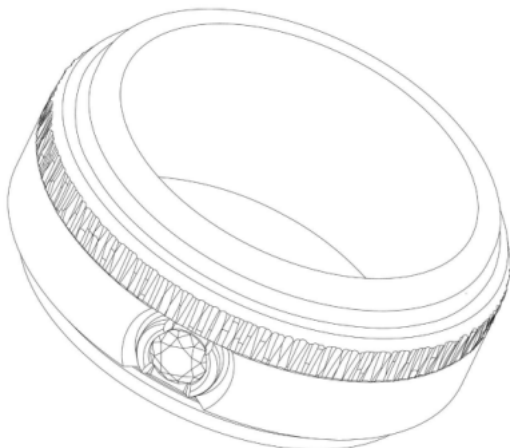
Switzerland

[74] LETTERS & THOO LIMITED

Suite 1008, Prosperity Millennia Plaza,

663 King's Road,

Quarry Bay, Hong Kong



[11] 2219714.1M003

[15] 14-04-2022

[30] 17-03-2022 / CH, GB, EU / WIPO114852

[51] Cl. 11-01

[54] 珠寶

Jewellery

[73] RICHEMONT INTERNATIONAL SA

Route des biches 10,

1752 Villars-Sur-Glane,

Switzerland

[74] LETTERS & THOO LIMITED

Suite 1008, Prosperity Millennia Plaza,

663 King's Road,

Quarry Bay, Hong Kong



[11] 2219714.1M004

[15] 14-04-2022

[30] 17-03-2022 / CH, GB, EU / WIPO114852

[51] Cl. 11-01

[54] 珠寶

Jewellery

[73] RICHEMONT INTERNATIONAL SA

Route des biches 10,

1752 Villars-Sur-Glane,

Switzerland

[74] LETTERS & THOO LIMITED

Suite 1008, Prosperity Millennia Plaza,

663 King's Road,

Quarry Bay, Hong Kong



[11] 2219714.1M005

[15] 14-04-2022

[30] 17-03-2022 / CH, GB, EU / WIPO114852

[51] Cl. 11-01

[54] 珠寶

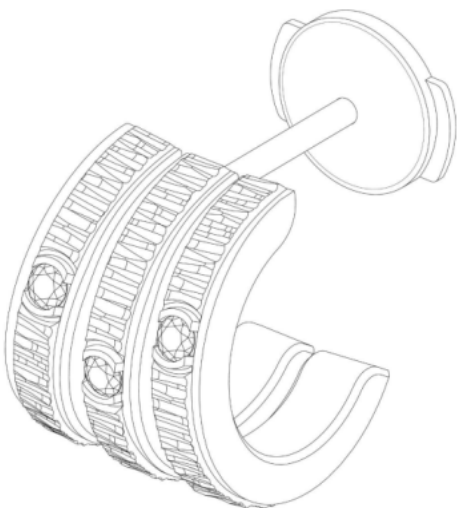
Jewellery

[73] RICHEMONT INTERNATIONAL SA

Route des biches 10,
1752 Villars-Sur-Glane,
Switzerland

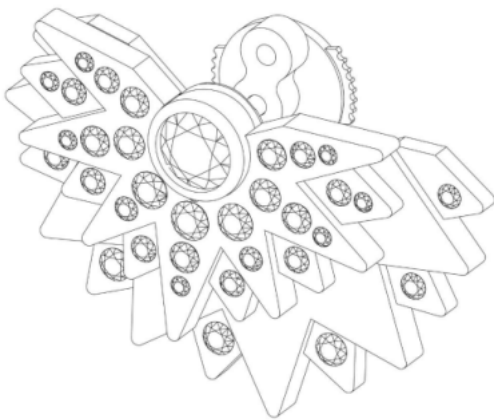
[74] LETTERS & THOO LIMITED

Suite 1008, Prosperity Millennia Plaza,
663 King's Road,
Quarry Bay, Hong Kong



[11] 2219714.1M006

- [15] 14-04-2022
- [30] 17-03-2022 / CH, GB, EU / WIPO114852
- [51] Cl. 11-01
- [54] 珠寶
Jewellery
- [73] RICHEMONT INTERNATIONAL SA
Route des biches 10,
1752 Villars-Sur-Glane,
Switzerland
- [74] LETTERS & THOO LIMITED
Suite 1008, Prosperity Millennia Plaza,
663 King's Road,
Quarry Bay, Hong Kong



-
- [11] 2219714.1M007
- [15] 14-04-2022
- [30] 17-03-2022 / CH, GB, EU / WIPO114852
- [51] Cl. 11-01
- [54] 珠寶
Jewellery
- [73] RICHEMONT INTERNATIONAL SA
Route des biches 10,
1752 Villars-Sur-Glane,
Switzerland
- [74] LETTERS & THOO LIMITED
Suite 1008, Prosperity Millennia Plaza,
663 King's Road,
Quarry Bay, Hong Kong



[11] 2219714.1M008

[15] 14-04-2022

[30] 17-03-2022 / CH, GB, EU / WIPO114852

[51] Cl. 11-01

[54] 珠寶

Jewellery

[73] RICHEMONT INTERNATIONAL SA

Route des biches 10,
1752 Villars-Sur-Glane,
Switzerland

[74] LETTERS & THOO LIMITED

Suite 1008, Prosperity Millennia Plaza,
663 King's Road,
Quarry Bay, Hong Kong



[11] 2219714.1M009

[15] 14-04-2022

[30] 17-03-2022 / CH, GB, EU / WIPO114852

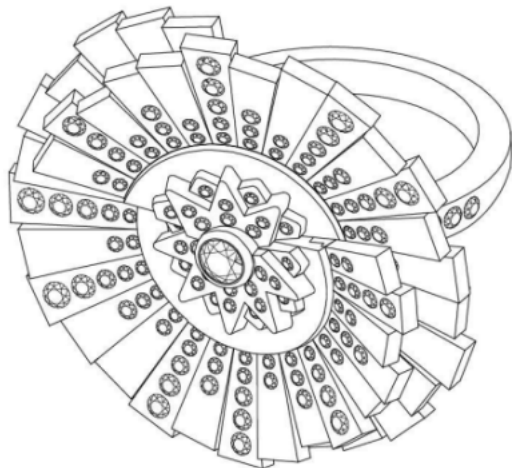
[51] Cl. 11-01

[54] 珠寶

Jewellery

[73] RICHEMONT INTERNATIONAL SA
Route des biches 10,
1752 Villars-Sur-Glane,
Switzerland

[74] LETTERS & THOO LIMITED
Suite 1008, Prosperity Millennia Plaza,
663 King's Road,
Quarry Bay, Hong Kong



[11] 2219714.1M010

[15] 14-04-2022

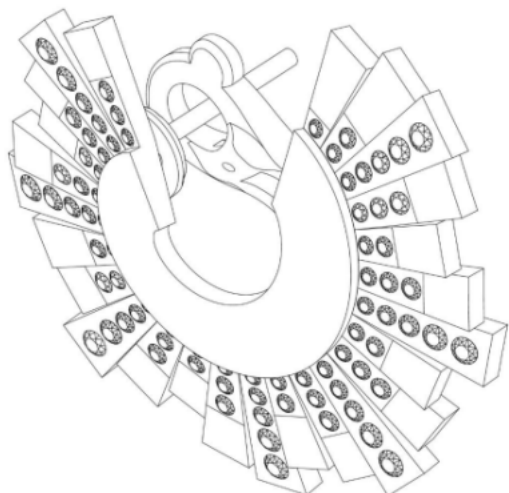
[30] 17-03-2022 / CH, GB, EU / WIPO114852

[51] Cl. 11-01

[54] 珠寶
Jewellery

[73] RICHEMONT INTERNATIONAL SA
Route des biches 10,
1752 Villars-Sur-Glane,
Switzerland

[74] LETTERS & THOO LIMITED
Suite 1008, Prosperity Millennia Plaza,
663 King's Road,
Quarry Bay, Hong Kong



[11] 2219714.1M011

[15] 14-04-2022

[30] 17-03-2022 / CH, GB, EU / WIPO114852

[51] Cl. 11-01

[54] 珠寶

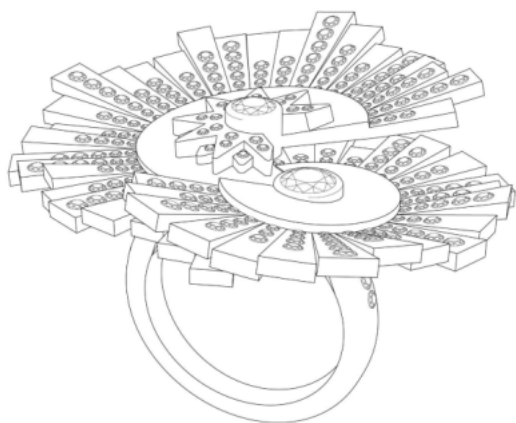
Jewellery

[73] RICHEMONT INTERNATIONAL SA

Route des biches 10,
1752 Villars-Sur-Glane,
Switzerland

[74] LETTERS & THOO LIMITED

Suite 1008, Prosperity Millennia Plaza,
663 King's Road,
Quarry Bay, Hong Kong



[11] 2219714.1M012

[15] 14-04-2022

[30] 17-03-2022 / CH, GB, EU / WIPO114852

[51] Cl. 11-01

[54] 珠寶

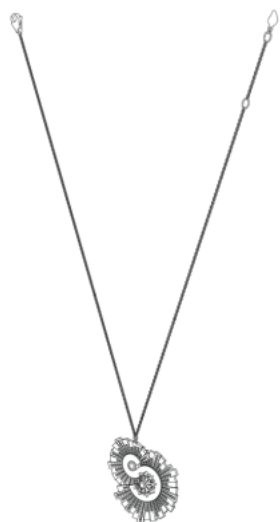
Jewellery

[73] RICHEMONT INTERNATIONAL SA

Route des biches 10,
1752 Villars-Sur-Glane,
Switzerland

[74] LETTERS & THOO LIMITED

Suite 1008, Prosperity Millennia Plaza,
663 King's Road,
Quarry Bay, Hong Kong



[11] 2219714.1M013

[15] 14-04-2022

[30] 17-03-2022 / CH, GB, EU / WIPO114852

[51] Cl. 11-01

[54] 珠寶

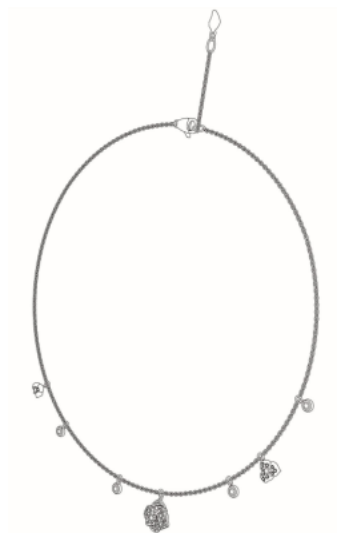
Jewellery

[73] RICHEMONT INTERNATIONAL SA

Route des biches 10,
1752 Villars-Sur-Glane,
Switzerland

[74] LETTERS & THOO LIMITED

Suite 1008, Prosperity Millennia Plaza,
663 King's Road,
Quarry Bay, Hong Kong





香港特別行政區政府知識產權署外觀設計註冊處
The Government of the Hong Kong Special Administrative Region
Designs Registry, Intellectual Property Department

根據註冊外觀設計條例第 28 條，下列註冊外觀設計因未繳續期費而停止有效。

各組記項按註冊外觀設計停止有效日期及註冊編號先後次序排列。

Registered designs ceased through non-payment of renewal fees under section 28 of the Registered Designs Ordinance. Entries are listed below under their expiry dates.

22-04-2022 - 27-04-2022

22-04-2022	1200782.1M002	1700822.2M003
0701128.9M001	1200785.8M001	1700822.2M007
1200759.3	1200785.8M002	1700822.2M008
	1200785.8M003	1700822.2M012
23-04-2022	1200791.0M001	1700822.2M014
0701131.5	1200791.0M002	1700822.2M015
1700766.3	1200791.0M003	1700823.4M004
1700767.5	1200791.0M004	1700823.4M009
1700770.1	1200791.0M005	1700823.4M013
1700771.3M001	1700789.1	1700823.4M019
1700771.3M002	1700792.7M001	1700823.4M020
1700771.3M003	1700792.7M002	1700823.4M021
1700774.9	1700794.1	1700824.6
1700778.8M001		1700825.9
1700778.8M002	26-04-2022	1700826.1
1700778.8M004	0701177.2	1700827.3
	1200797.3	1700834.7M003
24-04-2022	1200799.7M001	1700834.7M004
0210556.3M001	1200800.1M001	
0210556.3M002	1700798.0	
0701152.9	1700806.9	
1200777.1	1700808.3	
1200779.5	1700810.7	
1700780.2		
1700781.4M001	27-04-2022	
1700781.4M002	1700811.9	
1700781.4M003	1700812.1	
1700783.8	1700814.5	
1700784.0	1700815.8	
	1700816.0	
25-04-2022	1700817.2	
0701155.6	1700818.4	
0701164.4	1700819.6	
1200782.1M001	1700822.2M002	



香港特別行政區政府知識產權署外觀設計註冊處

The Government of the Hong Kong Special Administrative Region

Designs Registry, Intellectual Property Department

根據註冊外觀設計規則第 31 條刪除的註冊外觀設計。各組記項按註冊外觀設計刪除日期及註冊編號先後次序排列。

Registered designs removed under section 31 of the Registered Designs Rules. Entries are listed below under their removal dates.

01-05-2022 - 05-05-2022**01-05-2022**

1101876.1	1602033.9M009
1602012.5	1602033.9M010
1602013.7	1602033.9M011
1602014.9	1602033.9M012

1602015.2M001

1602015.2M002

1602015.2M003

1602016.4

1602017.6M001

1602017.6M002

1602019.0

1602021.4

1602022.6

1602023.8

1602024.0

1602025.3M001

1602025.3M002

03-05-2022

1602041.6

1602044.2

1602047.9

04-05-2022

1101892.4M002

1101892.4M003

1101900.3

1101901.5M002

1101901.5M003

1602053.1

05-05-2022**02-05-2022**

1101881.1

1101882.3

1101885.0

1101886.2

1101887.4

1602032.7

1602033.9M001

1602033.9M002

1602033.9M003

1602033.9M004

1602033.9M005

1602033.9M006

1602033.9M007

1602033.9M008

1101907.8M001

1101907.8M002

1101907.8M003

1101908.0M001

1101908.0M002

1101908.0M003

1602061.8

1602064.4

1602065.7M001

1602065.7M002

1602065.7M003