

香港知識產權公報

Hong Kong Intellectual Property Journal

2020年11月20日
20 November 2020

目錄 Contents

根據註冊外觀設計條例第 25 條註冊的外觀設計

Designs Registered under section 25 of the Registered Designs Ordinance

按註冊編號排列

Arranged by Registration Number

根據註冊外觀設計條例(第 522 章)公布的其他公告

Other Notices Published under the Registered Designs Ordinance (Cap. 522)

根據註冊外觀設計條例第 28 條，註冊外觀設計因未繳續期費而停止有效

Registered designs ceased through non-payment of renewal fees under section 28 of the Registered Designs Ordinance

根據註冊外觀設計規則第 31 條刪除的註冊外觀設計

Registered designs removed under section 31 of the Registered Designs Rules

勘誤

Corrigendum

以下事項沒有記錄

No Records for the Following Matters

根據註冊外觀設計條例第 30 條放棄的外觀設計的註冊

Surrender of Registration of Design under section 30 of the Registered Designs Ordinance

根據註冊外觀設計規則第 37 條，向處長作出轉介

Reference to Registrar under section 37 of the Registered Designs Rules

根據註冊外觀設計條例第 45 條，撤銷註冊

Revocation of Registration under section 45 of the Registered Designs Ordinance

根據註冊外觀設計規則第 46 條，向法院作出轉介

Reference to Court under section 46 of the Registered Designs Rules

根據註冊外觀設計規則第 63 條對不符合規定之處作出糾正

Rectification of Irregularities under section 63 of the Registered Designs Rules

根據註冊外觀設計條例第 66 條，糾正註冊紀錄冊

Rectification of Register under section 66 of the Registered Designs Ordinance

根據註冊外觀設計條例第 67 條 更正註冊紀錄冊內的錯誤

Correction of errors in Register under section 67 of the Registered Designs Ordinance

根據註冊外觀設計條例第 67 及 76 條，更正註冊紀錄冊內及已提交文件中的錯誤

Correction of Errors in Register and in Filed Documents under sections 67 and 76 of the Registered Designs Ordinance

根據註冊外觀設計條例第 76 條，更正已提交文件中的錯誤

Correction of errors in filed documents under section 76 of the Registered Designs Ordinance

註冊外觀設計公告註釋

Notes on advertisements of registration of designs

方括號表示下列資料：

Square brackets indicate the following data：

[11] 註冊編號 Registration number / 聯合王國註冊編號 United Kingdom registration number

[15] 註冊日期 Registration date / 當作註冊日期 Deemed registration date / 聯合王國註冊日期 United Kingdom registration date

[17] 註冊有效期屆滿日期 Expiry date of the period of registration

[22] 提交日期 Filing date / 當作提交日期 Deemed filing date / 聯合王國提交日期 United Kingdom filing date

[30] 聲稱享有的優先權（提交日期 / 巴黎公約國或世界貿易組織成員 / 申請編號） Priority claimed (filing date / Paris Convention country or WTO member / application number)

[51] 國際外觀設計分類號（洛迦諾分類號） International Classification of designs (Locarno Classification)

[54] 物品 Article

[55] 外觀設計的表述 Representation of the design

[62] 分開前的申請編號及提交日期 Application number before division and filing date

[66] 過往註冊的聯繫外觀設計註冊編號 / 日期 Registration No. / Date of Previous Registration for Association

[72] 設計人 Designer

[73] 擁有人姓名和地址 Name and address of the owner

[74] 代理人 Agent / 送達地址 Address for service



香港特別行政區政府知識產權署外觀設計註冊處

The Government of the Hong Kong Special Administrative Region

Designs Registry, Intellectual Property Department

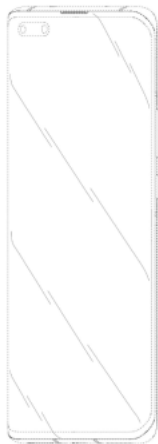
根據註冊外觀設計條例第 25 條註冊的外觀設計

Designs registered under section 25 of the Registered Designs Ordinance

按註冊編號排列

Arranged by Registration Number

- [11] 2015709.5M001
- [15] 06-03-2020
- [30] 06-09-2019 / CN / 201930492265.1
- [51] Cl. 14-03
- [54] 手提電話
A mobile phone
- [73] HUAWEI TECHNOLOGIES CO., LTD.
Huawei Administration Building,
Bantian, Longgang District,
Shenzhen, Guangdong,
CHINA
- [74] GLOBAL IP AGENT COMPANY LIMITED
9/F., Goodwill Industrial Building,
36-44 Pak Tin Par Street,
Tsuen Wan, Hong Kong



-
- [11] 2015709.5M002

- [15] 06-03-2020
- [30] 06-09-2019 / CN / 201930492265.1
- [51] Cl. 14-03
- [54] 手提電話
A mobile phone
- [73] HUAWEI TECHNOLOGIES CO., LTD.
Huawei Administration Building,
Bantian, Longgang District,
Shenzhen, Guangdong,
CHINA
- [74] GLOBAL IP AGENT COMPANY LIMITED
9/F., Goodwill Industrial Building,
36-44 Pak Tin Par Street,
Tsuen Wan, Hong Kong



-
- [11] 2015709.5M003
- [15] 06-03-2020
- [30] 06-09-2019 / CN / 201930492265.1
- [51] Cl. 14-03
- [54] 手提電話
A mobile phone
- [73] HUAWEI TECHNOLOGIES CO., LTD.
Huawei Administration Building,
Bantian, Longgang District,
Shenzhen, Guangdong,
CHINA
- [74] GLOBAL IP AGENT COMPANY LIMITED
9/F., Goodwill Industrial Building,
36-44 Pak Tin Par Street,
Tsuen Wan, Hong Kong



[11] 2015709.5M004

[15] 06-03-2020

[30] 06-09-2019 / CN / 201930492265.1

[51] Cl. 14-03

[54] 手提電話

A mobile phone

[73] HUAWEI TECHNOLOGIES CO., LTD.

Huawei Administration Building,

Bantian, Longgang District,

Shenzhen, Guangdong,

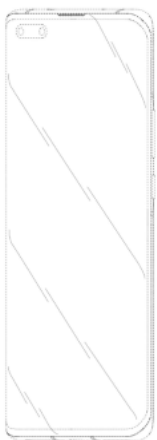
CHINA

[74] GLOBAL IP AGENT COMPANY LIMITED

9/F., Goodwill Industrial Building,

36-44 Pak Tin Par Street,

Tsuen Wan, Hong Kong

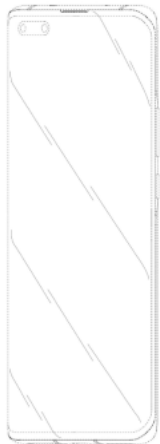


- [11] 2015709.5M005
[15] 06-03-2020
[30] 06-09-2019 / CN / 201930492265.1
[51] Cl. 14-03
[54] 手提電話
A mobile phone
[73] HUAWEI TECHNOLOGIES CO., LTD.
Huawei Administration Building,
Bantian, Longgang District,
Shenzhen, Guangdong,
CHINA
[74] GLOBAL IP AGENT COMPANY LIMITED
9/F., Goodwill Industrial Building,
36-44 Pak Tin Par Street,
Tsuen Wan, Hong Kong



-
- [11] 2015709.5M006
[15] 06-03-2020
[30] 06-09-2019 / CN / 201930492265.1
[51] Cl. 14-03
[54] 手提電話
A mobile phone
[73] HUAWEI TECHNOLOGIES CO., LTD.
Huawei Administration Building,
Bantian, Longgang District,
Shenzhen, Guangdong,
CHINA
[74] GLOBAL IP AGENT COMPANY LIMITED
9/F., Goodwill Industrial Building,

36-44 Pak Tin Par Street,
Tsuen Wan, Hong Kong



[11] 2015709.5M007

[15] 06-03-2020

[30] 06-09-2019 / CN / 201930492265.1

[51] Cl. 14-03

[54] 手提電話

A mobile phone

[73] HUAWEI TECHNOLOGIES CO., LTD.

Huawei Administration Building,

Bantian, Longgang District,

Shenzhen, Guangdong,

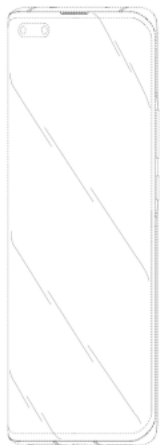
CHINA

[74] GLOBAL IP AGENT COMPANY LIMITED

9/F., Goodwill Industrial Building,

36-44 Pak Tin Par Street,

Tsuen Wan, Hong Kong



[11] 2015709.5M008

[15] 06-03-2020

[30] 06-09-2019 / CN / 201930492265.1

[51] Cl. 14-03

[54] 手提電話

A mobile phone

[73] HUAWEI TECHNOLOGIES CO., LTD.

Huawei Administration Building,

Bantian, Longgang District,

Shenzhen, Guangdong,

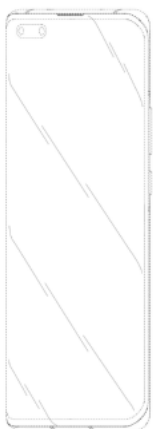
CHINA

[74] GLOBAL IP AGENT COMPANY LIMITED

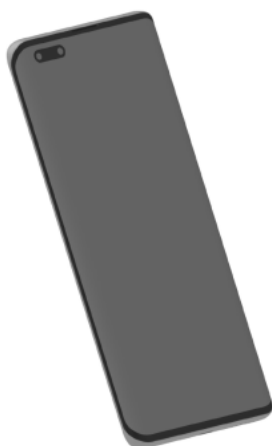
9/F., Goodwill Industrial Building,

36-44 Pak Tin Par Street,

Tsuen Wan, Hong Kong

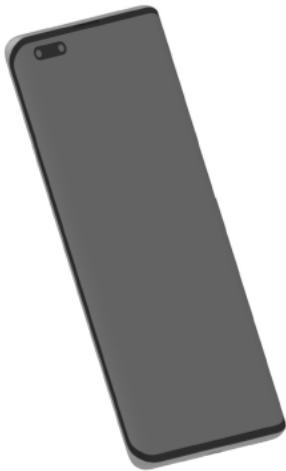


- [11] 2015709.5M009
[15] 06-03-2020
[30] 06-09-2019 / CN / 201930492265.1
[51] Cl. 14-03
[54] 手提電話
A mobile phone
[73] HUAWEI TECHNOLOGIES CO., LTD.
Huawei Administration Building,
Bantian, Longgang District,
Shenzhen, Guangdong,
CHINA
[74] GLOBAL IP AGENT COMPANY LIMITED
9/F., Goodwill Industrial Building,
36-44 Pak Tin Par Street,
Tsuen Wan, Hong Kong



-
- [11] 2015709.5M010
[15] 06-03-2020
[30] 06-09-2019 / CN / 201930492265.1
[51] Cl. 14-03
[54] 手提電話
A mobile phone
[73] HUAWEI TECHNOLOGIES CO., LTD.
Huawei Administration Building,
Bantian, Longgang District,
Shenzhen, Guangdong,
CHINA
[74] GLOBAL IP AGENT COMPANY LIMITED
9/F., Goodwill Industrial Building,

36-44 Pak Tin Par Street,
Tsuen Wan, Hong Kong



[11] 2015711.9M001

[15] 06-03-2020

[30] 06-09-2019 / CN / 201930492241.6

[51] Cl. 14-03

[54] 手提電話

A mobile phone

[73] HUAWEI TECHNOLOGIES CO., LTD.

Huawei Administration Building,

Bantian, Longgang District,

Shenzhen, Guangdong

China

[74] GLOBAL IP AGENT COMPANY LIMITED

9/F., Goodwill Industrial Building,

36-44 Pak Tin Par Street,

Tsuen Wan, Hong Kong



[11] 2015711.9M002

[15] 06-03-2020

[30] 06-09-2019 / CN / 201930492241.6

[51] Cl. 14-03

[54] 手提電話

A mobile phone

[73] HUAWEI TECHNOLOGIES CO., LTD.

Huawei Administration Building,

Bantian, Longgang District,

Shenzhen, Guangdong

China

[74] GLOBAL IP AGENT COMPANY LIMITED

9/F., Goodwill Industrial Building,

36-44 Pak Tin Par Street,

Tsuen Wan, Hong Kong



[11] 2015711.9M003

[15] 06-03-2020

[30] 06-09-2019 / CN / 201930492241.6

[51] Cl. 14-03

[54] 手提電話

A mobile phone

[73] HUAWEI TECHNOLOGIES CO., LTD.

Huawei Administration Building,

Bantian, Longgang District,

Shenzhen, Guangdong

China

[74] GLOBAL IP AGENT COMPANY LIMITED

9/F., Goodwill Industrial Building,

36-44 Pak Tin Par Street,

Tsuen Wan, Hong Kong



[11] 2015711.9M004

[15] 06-03-2020

[30] 06-09-2019 / CN / 201930492241.6

[51] Cl. 14-03

[54] 手提電話

A mobile phone

[73] HUAWEI TECHNOLOGIES CO., LTD.

Huawei Administration Building,

Bantian, Longgang District,

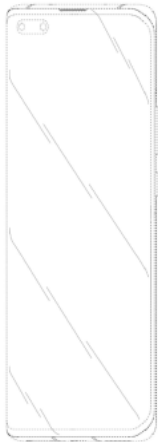
Shenzhen, Guangdong

China

[74] GLOBAL IP AGENT COMPANY LIMITED

9/F., Goodwill Industrial Building,

36-44 Pak Tin Par Street,
Tsuen Wan, Hong Kong



[11] 2015711.9M005

[15] 06-03-2020

[30] 06-09-2019 / CN / 201930492241.6

[51] Cl. 14-03

[54] 手提電話

A mobile phone

[73] HUAWEI TECHNOLOGIES CO., LTD.

Huawei Administration Building,

Bantian, Longgang District,

Shenzhen, Guangdong

China

[74] GLOBAL IP AGENT COMPANY LIMITED

9/F., Goodwill Industrial Building,

36-44 Pak Tin Par Street,

Tsuen Wan, Hong Kong



[11] 2015711.9M006

[15] 06-03-2020

[30] 06-09-2019 / CN / 201930492241.6

[51] Cl. 14-03

[54] 手提電話

A mobile phone

[73] HUAWEI TECHNOLOGIES CO., LTD.

Huawei Administration Building,

Bantian, Longgang District,

Shenzhen, Guangdong

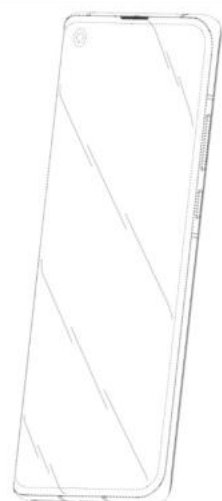
China

[74] GLOBAL IP AGENT COMPANY LIMITED

9/F., Goodwill Industrial Building,

36-44 Pak Tin Par Street,

Tsuen Wan, Hong Kong



[11] 2015711.9M007

[15] 06-03-2020

[30] 06-09-2019 / CN / 201930492241.6

[51] Cl. 14-03

[54] 手提電話

A mobile phone

[73] HUAWEI TECHNOLOGIES CO., LTD.

Huawei Administration Building,

Bantian, Longgang District,

Shenzhen, Guangdong

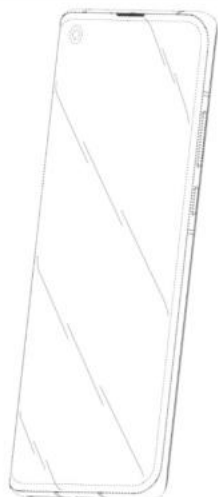
China

[74] GLOBAL IP AGENT COMPANY LIMITED

9/F., Goodwill Industrial Building,

36-44 Pak Tin Par Street,

Tsuen Wan, Hong Kong



[11] 2015711.9M008

[15] 06-03-2020

[30] 06-09-2019 / CN / 201930492241.6

[51] Cl. 14-03

[54] 手提電話

A mobile phone

[73] HUAWEI TECHNOLOGIES CO., LTD.

Huawei Administration Building,

Bantian, Longgang District,

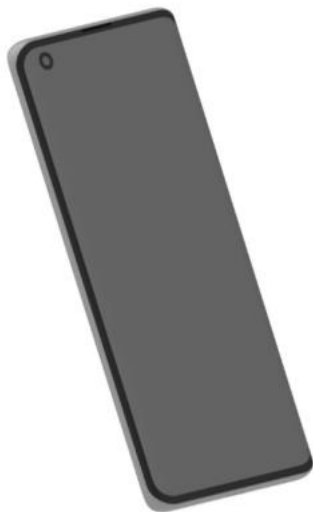
Shenzhen, Guangdong

China

[74] GLOBAL IP AGENT COMPANY LIMITED

9/F., Goodwill Industrial Building,

36-44 Pak Tin Par Street,
Tsuen Wan, Hong Kong



[11] 2015711.9M009

[15] 06-03-2020

[30] 06-09-2019 / CN / 201930492241.6

[51] Cl. 14-03

[54] 手提電話

A mobile phone

[73] HUAWEI TECHNOLOGIES CO., LTD.

Huawei Administration Building,

Bantian, Longgang District,

Shenzhen, Guangdong

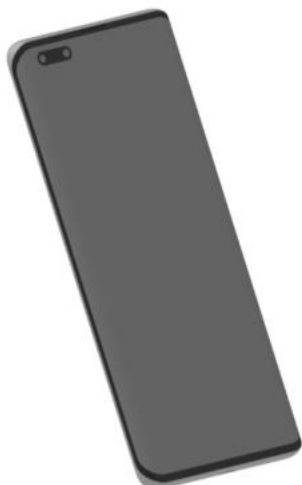
China

[74] GLOBAL IP AGENT COMPANY LIMITED

9/F., Goodwill Industrial Building,

36-44 Pak Tin Par Street,

Tsuen Wan, Hong Kong



[11] 2016096.4

[15] 05-05-2020

[51] Cl. 10-04

[54] 數字萬用錶

Digital multimeter

[73] 龍程實業(香港)有限公司

RANGE ENTERPRISE (HONG KONG) CO., LTD

香港北角

英皇道 250 號

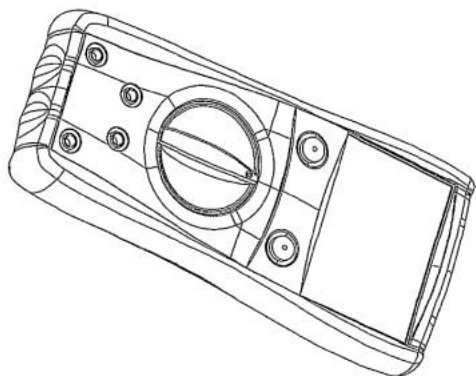
北角城中心 8 樓 10 室

[74] RANGE ENTERPRISE (HONG KONG) CO., LTD

香港北角

英皇道 250 號

北角城中心 8 樓 10 室



[11] 2016271.5

[15] 04-06-2020

[51] Cl. 13-02

[54] 車用快速充電器

Car quick charger

[73] DESIGN POOL LIMITED

2/F, East Town Building,

41 Lockhart Road,

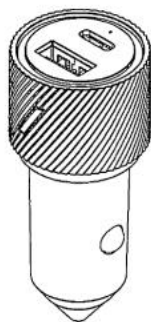
Wanchai, Hong Kong

[74] DESIGN POOL LIMITED (Attention : Legal Officer)

2/F, East Town Building,

41 Lockhart Road,

Wanchai, Hong Kong



[11] 2016502.7

[15] 15-07-2020

[51] Cl. 6-06

[54] 汽車座椅頭套

Headrest cover for car seat

[73] 梁健輝

香港九龍土瓜灣

上鄉道 39-41 號

昌華工廠大廈 6 樓 C1 至 2 室

[74] 卓遠知識產權有限公司

香港上環

禧利街 27 號

富輝商業中心 10 樓



[11] 2016533.2M001

[15] 20-07-2020

[30] 24-02-2020 / DE / 40 2020 100 179.1

[51] Cl. 12-08

[54] 汽車

Motor vehicle

[73] VOLKSWAGEN AKTIENGESELLSCHAFT

Berliner Ring 2,

38440 Wolfsburg,

Germany

[74] CHINA PATENT AGENT (HONG KONG) LIMITED

22/F, Great Eagle Centre,

23 Harbour Road,

Wanchai, Hong Kong



[11] 2016533.2M002

[15] 20-07-2020

[30] 24-02-2020 / DE / 40 2020 100 179.1

[51] Cl. 12-08

[54] 汽車

Motor vehicle

[73] VOLKSWAGEN AKTIENGESELLSCHAFT
Berliner Ring 2,
38440 Wolfsburg,
Germany

[74] CHINA PATENT AGENT (HONG KONG) LIMITED
22/F, Great Eagle Centre,
23 Harbour Road,
Wanchai, Hong Kong



[11] 2016533.2M003

[15] 20-07-2020

[30] 24-02-2020 / DE / 40 2020 100 179.1

[51] Cl. 12-08

[54] 汽車
Motor vehicle

[73] VOLKSWAGEN AKTIENGESELLSCHAFT
Berliner Ring 2,
38440 Wolfsburg,
Germany

[74] CHINA PATENT AGENT (HONG KONG) LIMITED
22/F, Great Eagle Centre,
23 Harbour Road,
Wanchai, Hong Kong



[11] 2016574.8

[15] 28-07-2020

[51] Cl. 14-99

[54] 磁吸連接器母座

Magnetic connector female base

[73] 深圳市泰科漢澤精密電子有限公司

中國內地

廣東省深圳市寶安區石岩街道水田社區

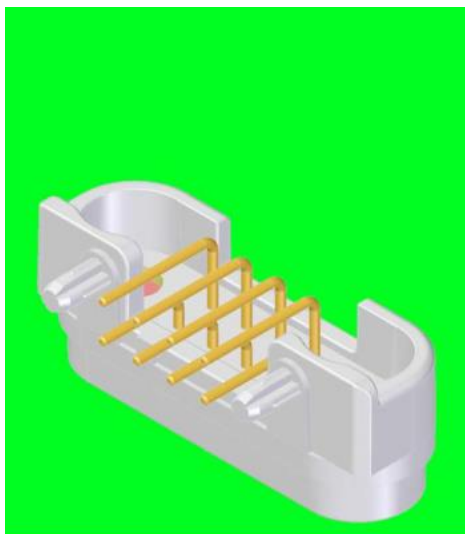
祝龍田路 51 號廠房二層、三層、四層、五層

[74] 商專國際知識產權事務所有限公司

香港九龍

旺角花園街 2-16 號

好景商業中心 10 樓 1005 室 (B)



[11] 2016576.3

[15] 28-07-2020

[51] Cl. 14-99

[54] 磁吸線

Magnetic cable

[73] 深圳市泰科漢澤精密電子有限公司

中國內地

廣東省深圳市寶安區石岩街道水田社區

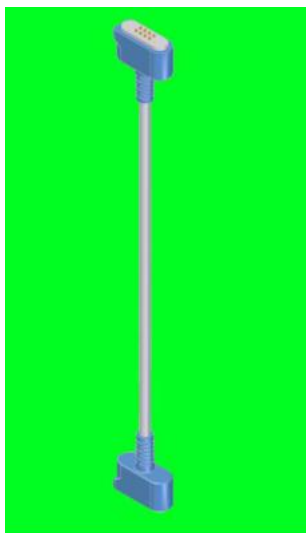
祝龍田路 51 號廠房二層、三層、四層、五層

[74] 商專國際知識產權事務所有限公司

香港九龍

旺角花園街 2-16 號

好景商業中心 10 樓 1005 室 (B)



[11] 2016577.5

[15] 28-07-2020

[51] Cl. 14-99

[54] 磁吸線

Magnetic wire

[73] 深圳市泰科漢澤精密電子有限公司

中國內地

廣東省深圳市寶安區石岩街道水田社區

祝龍田路 51 號廠房二層、三層、四層、五層

[74] 商專國際知識產權事務所有限公司

香港九龍

旺角花園街 2-16 號

好景商業中心 10 樓 1005 室 (B)



- [11] 2016578.7
[15] 28-07-2020
[51] Cl. 11-04
[54] 彩虹形花藝品
Rainbow shaped flora art
[73] 粉紅寓言有限公司
PINK FABLE LIMITED
Unit 1118, 11th Floor, Tower B, Southmark,
11 Yip Hing Street,
Wong Chuk Hang, Hong Kong
[74] VINCENT LUK & ASSOCIATES
Unit A, 13th Floor, Nathan Commercial Building,
430 Nathan Road,
Kowloon, Hong Kong



-
- [11] 2016579.9
[15] 29-07-2020
[30] 28-02-2020 / CN / 202030063899.8
[51] Cl. 23-04
[54] 空氣淨化機
Air purifier
[73] 廣東松下環境系統有限公司
Panasonic Ecology Systems Guangdong Co., Ltd.
2 South Chaogui Road,
Shunde High-Tech Industrial Zone (Ronggui),
Foshan, Guangdong, P.R. China 528306,
China
[74] MARKS & CLERK
Level 9, Cyberport 1,
100 Cyberport Road,
Pok Fu Lam, Hong Kong



[11] 2016580.1

[15] 29-07-2020

[30] 14-02-2020 / JP / 002919 of 2020

[51] Cl. 28-03

[54] 美容器

Skin care device

[73] 雅萌股份有限公司

YA-MAN LTD.

1-4-4, Furuishiba,

Koto-ku, Tokyo 1350045,

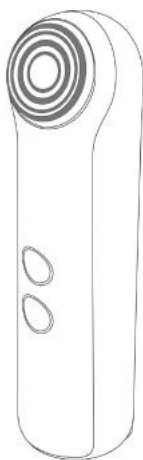
Japan

[74] SANYOU INTELLECTUAL PROPERTY LIMITED

Room 601, 6/F., Yue Xiu Building,

160-174 Lockhart Road,

Wanchai, Hong Kong



[11] 2016581.3M001

[15] 29-07-2020

[51] Cl. 23-03

[54] 入牆式熱水器

In-wall water heater

[73] Rinnai Kabushiki Kaisha (Rinnai Corporation)

2-26, Fukuzumi-cho, Nakagawa-ku,

Nagoya-shi, Aichi-ken 454-0802,

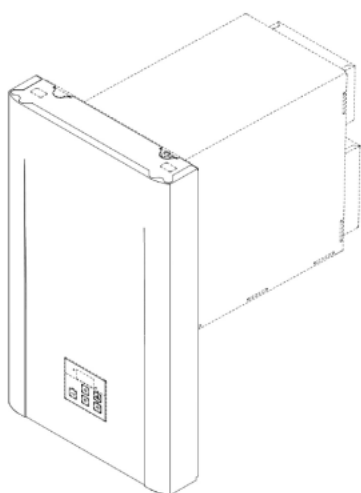
Japan

[74] MINTERELLISON LLP

Level 32, Wu Chung House,

213 Queen's Road East,

Hong Kong



[11] 2016581.3M002

[15] 29-07-2020

[51] Cl. 23-03

[54] 入牆式熱水器

In-wall water heater

[73] Rinnai Kabushiki Kaisha (Rinnai Corporation)

2-26, Fukuzumi-cho, Nakagawa-ku,

Nagoya-shi, Aichi-ken 454-0802,

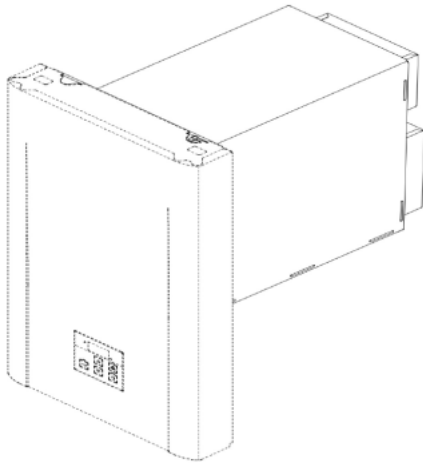
Japan

[74] MINTERELLISON LLP

Level 32, Wu Chung House,

213 Queen's Road East,

Hong Kong



[11] 2016581.3M003

[15] 29-07-2020

[51] Cl. 23-03

[54] 帶連接器的入牆式熱水器

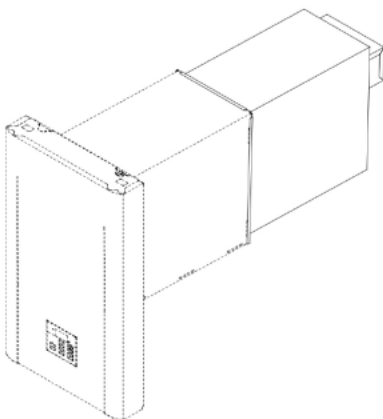
In-wall water heater with adapter

[73] Rinnai Kabushiki Kaisha (Rinnai Corporation)

2-26, Fukuzumi-cho, Nakagawa-ku,
Nagoya-shi, Aichi-ken 454-0802,
Japan

[74] MINTERELLISON LLP

Level 32, Wu Chung House,
213 Queen's Road East,
Hong Kong



[11] 2016584.9

[15] 30-07-2020

[51] Cl. 21-01

[54] 玩具巴士

Toy bus

[73] NEW WORLD FIRST BUS SERVICES LIMITED

8 Chong Fu Road,

Chai Wan, Hong Kong

Hong Kong

[74] IPMS CONSULTANTS LIMITED

Unit 2004B, 20/F, Tower 5, China Hong Kong City,

33 Canton Road, Tsim Sha Tsui,

Kowloon, Hong Kong



[11] 2016585.2

[15] 30-07-2020

[30] 11-02-2020 / CH / 145144

[51] Cl. 10-02

[54] 手錶

Watch

[73] Sowind SA

Place Girardet 1,

2301 La Chaux-de-Fonds,

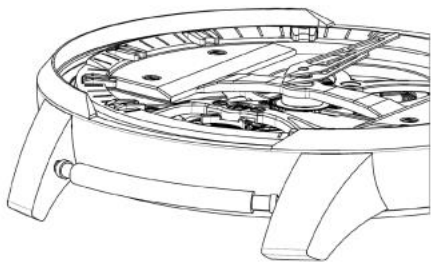
Switzerland

[74] ATL LAW OFFICES

16/F., China Hong Kong Tower,

8-12 Hennessy Road,

Wanchai, Hong Kong



[11] 2016587.6

[15] 30-07-2020

[30] 13-02-2020 / EU / 007690557

[51] Cl. 3-01

[54] 袋
Bag

[73] FURLA S.p.A.
Via Bellaria 3-5,
I-40068 S. Lazzaro di Savena (Bologna),
Italy

[74] BIRD & BIRD
6/F, The Annex, Central Plaza,
18 Harbour Road,
Hong Kong



[11] 2016592.6

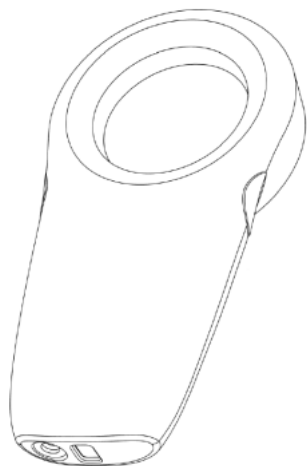
[15] 31-07-2020

[30] 03-02-2020 / JP / 001927 of 2020

[51] Cl. 24-02

[54] 皮鏡
Dermatoscope

- [73] 卡西歐計算機株式會社
CASIO KEISANKI KABUSHIKI KAISHA (d.b.a.
CASIO COMPUTER CO., LTD.)
6-2, Hon-Machi 1-Chome,
Shibuya-Ku, Tokyo,
Japan
- [74] CHINA PATENT AGENT (HONG KONG) LIMITED
22/F, Great Eagle Centre,
23 Harbour Road,
Wanchai. Hong Kong



-
- [11] 2016593.8
[15] 31-07-2020
[30] 16-04-2020 / CN / 202030153911.4
[51] C1. 28-03
[54] 面膜儀
Skin care apparatus
- [73] 深圳虹望奈喜美電器有限公司
Shenzhen Hongwang Nicemay Electric Co., Ltd
中國內地
廣東省深圳市光明新區公明辦事處甲子塘社區
甲子塘路三巷 3 號 B 棟 1-4 樓
- [74] 諾正國際知識產權有限公司
香港上環
永樂街 66 號
昌泰商業大廈 9 樓 B 室



[11] 2016594.0M001

[15] 31-07-2020

[51] Cl. 21-01

[54] 玩具營地吉普車

Toy camping jeep

[73] 集美塑膠玩具製品廠有限公司

CHAP MEI PLASTIC TOYS MANUFACTORY LIMITED

Unit 541, 5/F., Sino Industrial Plaza,

9 Kai Cheung Road,

Kowloon Bay, Kowloon, Hong Kong

[74] BENNY KONG & TSAI

Unit 19B, Overseas Trust Bank Building,

No. 160 Gloucester Road,

Wanchai, Hong Kong



[11] 2016594.0M002

[15] 31-07-2020

[51] Cl. 21-01

[54] 玩具特警車

Toy swat vehicle

[73] 集美塑膠玩具製品廠有限公司

CHAP MEI PLASTIC TOYS MANUFACTORY LIMITED

Unit 541, 5/F., Sino Industrial Plaza,

9 Kai Cheung Road,

Kowloon Bay, Kowloon, Hong Kong

[74] BENNY KONG & TSAI

Unit 19B, Overseas Trust Bank Building,

No. 160 Gloucester Road,

Wanchai, Hong Kong



[11] 2016594.0M003

[15] 31-07-2020

[51] Cl. 21-01

[54] 玩具軍車

Toy military vehicle

[73] 集美塑膠玩具製品廠有限公司

CHAP MEI PLASTIC TOYS MANUFACTORY LIMITED

Unit 541, 5/F., Sino Industrial Plaza,

9 Kai Cheung Road,

Kowloon Bay, Kowloon, Hong Kong

[74] BENNY KONG & TSAI

Unit 19B, Overseas Trust Bank Building,

No. 160 Gloucester Road,

Wanchai, Hong Kong



[11] 2016595.3M001

[15] 03-08-2020

[30] 16-04-2020 / CN / 202030152598.2

[51] Cl. 29-02

[54] 口罩
Mask

[73] 安莉芳(中國)服裝有限公司

Embry (China) Garments Ltd.

5th Floor East, Block A, Cuishan Industrial Area,
2063 Jindaotian Road; 14th Floor West, 17th and
18th Floors, Block B, CMEC Plaza, No. 1028 Buji
Road, Dongxiao Street, Luohu District, Shenzhen,
China

[74] SPRUSON & FERGUSON (HONG KONG) LIMITED

5001 Hopewell Centre,
183 Queen's Road East,
Wan Chai, Hong Kong



[11] 2016595.3M002

[15] 03-08-2020

[30] 27-04-2020 / CN / 202030179689.5

[51] Cl. 29-02

[54] 口罩

Mask

[73] 安莉芳(中國)服裝有限公司

Embry (China) Garments Ltd.

5th Floor East, Block A, Cuishan Industrial Area,
2063 Jindaotian Road; 14th Floor West, 17th and
18th Floors, Block B, CMEC Plaza, No. 1028 Buji
Road, Dongxiao Street, Luohu District, Shenzhen,
China

[74] SPRUSON & FERGUSON (HONG KONG) LIMITED

5001 Hopewell Centre,
183 Queen's Road East,
Wan Chai, Hong Kong



[11] 2016595.3M003

[15] 03-08-2020

[30] 03-06-2020 / CN / 202030272207.0

[51] Cl. 29-02

[54] 口罩

Mask

[73] 安莉芳(中國)服裝有限公司

Embry (China) Garments Ltd.

5th Floor East, Block A, Cuishan Industrial Area,
2063 Jindaotian Road; 14th Floor West, 17th and
18th Floors, Block B, CMEC Plaza, No. 1028 Buji
Road, Dongxiao Street, Luohu District, Shenzhen,
China

[74] SPRUSON & FERGUSON (HONG KONG) LIMITED

5001 Hopewell Centre,
183 Queen's Road East,
Wan Chai, Hong Kong



[11] 2016596.5

[15] 03-08-2020

[51] Cl. 19-08

[54] 標籤
Label

[73] AXXZIA 股份有限公司
AXXZIA INC.
6-3-1 Nishi-Shinjuku,
Shinjuku-ku, Tokyo,
Japan

[74] CLT PATENT & TRADEMARK (H.K.) LIMITED
Unit 09, 34/F., Office Tower, Convention Plaza,
No. 1 Harbour Road,
Wanchai, Hong Kong



[11] 2016597.7

[15] 03-08-2020

[51] Cl. 29-02

[54] 面罩
Face shield

[73] 益達興業有限公司
Acestar Concept Limited
Unit 207A, 2/F, Tower 2, Harbour Centre,
8 Hok Cheung Street,
Hung Hom, Kowloon, Hong Kong

[74] RIGHT IP LIMITED
2002 Jupiter Tower,
9 Jupiter Street,
Hong Kong



[11] 2016598.9

[15] 04-08-2020

[51] C1. 28-03

[54] 按摩器

Massager

[73] 深圳市有幸科技有限公司

SHENZHEN YOUXING TECHNOLOGY CO., LTD

中國內地

廣東省深圳市龍崗區阪田街道馬安堂社區阪雪崗大道 1007 號興華大廈 401-8

[74] 中港知識產權有限公司

香港

港灣道 1 號

會展廣場辦公大樓 30 樓 3011 室





香港特別行政區政府知識產權署外觀設計註冊處

The Government of the Hong Kong Special Administrative Region

Designs Registry, Intellectual Property Department

根據註冊外觀設計條例第 28 條，下列註冊外觀設計因未繳續期費而停止有效。

各組記項按註冊外觀設計停止有效日期及註冊編號先後次序排列。

Registered designs ceased through non-payment of renewal fees under section 28 of the Registered Designs Ordinance. Entries are listed below under their expiry dates.

10-09-2020 - 16-09-2020

10-09-2020 1502042.7M001

0011237.5 1502042.7M002

1502016.3M001 1502047.8

1502016.3M002

1502025.2

15-09-2020

1502028.8 0502170.6

1502029.0 0502171.8

1001682.8

12-09-2020 1001686.7M001

0502110.0M003 1001686.7M002

0502124.9 1001687.9

1001642.4 1001688.1

1001689.3

13-09-2020

0011256.5

16-09-2020

0502151.6M001 0502182.1M001

0502151.6M002 0502182.1M002

1001657.6M001 0502182.1M003

1001657.6M002 0502185.8

1001657.6M003 1502051.6

1001657.6M004

1001658.8

1502035.3

1502037.7

1502038.9M001

1502038.9M002

1502039.1M001

1502039.1M002

1502040.3

1502041.5

14-09-2020

0502167.0

1001659.0



香港特別行政區政府知識產權署外觀設計註冊處

The Government of the Hong Kong Special Administrative Region

Designs Registry, Intellectual Property Department

根據註冊外觀設計規則第 31 條刪除的註冊外觀設計。各組記項按註冊外觀設計刪除日期及註冊編號先後次序排列。

Registered designs removed under section 31 of the Registered Designs Rules. Entries are listed below under their removal dates.

30-10-2020 - 05-11-2020

30-10-2020	31-10-2020	0500522.2M014
1000437.8M002	1500646.7M001	0500522.2M015
1500638.0	1500646.7M002	0500522.2M016
1500640.4	1500648.1	0500531.1
1500641.6M001	1500649.3M001	1500663.2
1500641.6M002	1500649.3M004	1500664.4
1500641.6M003	1500649.3M005	
1500641.6M004	1500649.3M006	03-11-2020
1500642.8M001		0500534.7M006
1500642.8M002	01-11-2020	0500534.7M010
1500642.8M003	1500650.5	0500535.0M021
1500642.8M004	1500651.7M001	0500535.0M022
1500642.8M006	1500651.7M002	0500535.0M023
1500642.8M007	1500652.9	0500535.0M040
1500642.8M008	1500655.6	0500535.0M041
1500642.8M009	1500659.4	0500535.0M042
1500642.8M010	1500660.6	0500535.0M043
1500642.8M013	1500661.8	0500544.8M001
1500642.8M014	1500662.0	1000449.3M001
1500642.8M017		1000449.3M002
1500642.8M019	02-11-2020	1000450.5M001
1500642.8M022	0500522.2M001	1000450.5M002
1500642.8M023	0500522.2M002	1000450.5M003
1500642.8M024	0500522.2M003	1000450.5M004
1500642.8M025	0500522.2M004	1000450.5M005
1500642.8M028	0500522.2M005	1000450.5M007
1500642.8M029	0500522.2M006	1000450.5M009
1500642.8M030	0500522.2M007	1000450.5M011
1500642.8M031	0500522.2M008	
1500642.8M032	0500522.2M009	04-11-2020
1500643.0M001	0500522.2M010	1000456.8M016
1500643.0M002	0500522.2M011	1000456.8M017
1500644.2	0500522.2M012	1000456.8M022
	0500522.2M013	1000456.8M023

1000456.8M024
1000456.8M025
1000456.8M033
1000456.8M034
1000456.8M035
1000456.8M036
1000461.8M001
1000461.8M002
1000461.8M003
1000464.4
1000465.7
1000467.1
1000468.3
1000469.5
1500665.7
1500666.9
1500667.1
1500668.3
1500669.5
1500670.7
1500671.9
1500672.1
1500675.8
1500678.4
1500682.2

05-11-2020

0500555.2
1000482.2M001
1000482.2M002
1500688.5
1500689.7
1500691.1
1500693.5M001
1500693.5M002



香港特別行政區政府知識產權署外觀設計註冊處
The Government of the Hong Kong Special Administrative Region
Designs Registry, Intellectual Property Department

勘誤

CORRIGENDUM

已在官方公報刊登的外觀設計公告內的聲稱具有優先權更正如下：

The following show the corrected priority claim in advertisement previously published in the official journal:

官方公報日期 Official journal date 04.09.2020

[11] 2015979.6M001-M009

[30] 31-10-2019 / CH, GB, EU / DM/205 710

官方公報日期 Official journal date 30.09.2020

[11] 2016450.5

[30] 15-01-2020 / MC, SG, CH, TR, UA, GB, MA, EU / DM/205 511

官方公報日期 Official journal date 30.09.2020

[11] 2016451.7

[30] 15-01-2020 / MC, SG, CH, TR, UA, GB, EU, MA / DM/205 511