

香港知識產權公報

Hong Kong Intellectual Property Journal

2021年5月21日

21 May 2021

目錄 Contents

根據註冊外觀設計條例第 25 條註冊的外觀設計

Designs Registered under section 25 of the Registered Designs Ordinance

按註冊編號排列

Arranged by Registration Number

根據註冊外觀設計條例(第 522 章)公布的其他公告

Other Notices Published under the Registered Designs Ordinance (Cap. 522)

根據註冊外觀設計條例第 28 條，註冊外觀設計因未繳續期費而停止有效

Registered designs ceased through non-payment of renewal fees under section 28 of the Registered Designs Ordinance

根據註冊外觀設計規則第 31 條刪除的註冊外觀設計

Registered designs removed under section 31 of the Registered Designs Rules

根據註冊外觀設計條例第 67 及 76 條，更正註冊紀錄冊內及已提交文件中的錯誤

Correction of Errors in Register and in Filed Documents under sections 67 and 76 of the Registered Designs Ordinance

以下事項沒有記錄

No Records for the Following Matters

根據註冊外觀設計條例第 30 條放棄的外觀設計的註冊

Surrender of Registration of Design under section 30 of the Registered Designs Ordinance

根據註冊外觀設計規則第 37 條，向處長作出轉介

Reference to Registrar under section 37 of the Registered Designs Rules

根據註冊外觀設計條例第 45 條，撤銷註冊

Revocation of Registration under section 45 of the Registered Designs Ordinance

根據註冊外觀設計規則第 46 條，向法院作出轉介

Reference to Court under section 46 of the Registered Designs Rules

根據註冊外觀設計規則第 63 條對不符合規定之處作出糾正

Rectification of Irregularities under section 63 of the Registered Designs Rules

根據註冊外觀設計條例第 66 條，糾正註冊紀錄冊

Rectification of Register under section 66 of the Registered Designs Ordinance

根據註冊外觀設計條例第 67 條 更正註冊紀錄冊內的錯誤

Correction of errors in Register under section 67 of the Registered Designs Ordinance

根據註冊外觀設計條例第 76 條，更正已提交文件中的錯誤

Correction of errors in filed documents under section 76 of the Registered Designs Ordinance

勘誤

Corrigendum

註冊外觀設計公告註釋

Notes on advertisements of registration of designs

方括號表示下列資料：

Square brackets indicate the following data：

[11] 註冊編號 Registration number / 聯合王國註冊編號 United Kingdom registration number

[15] 註冊日期 Registration date / 當作註冊日期 Deemed registration date / 聯合王國註冊日期 United Kingdom registration date

[17] 註冊有效期屆滿日期 Expiry date of the period of registration

[22] 提交日期 Filing date / 當作提交日期 Deemed filing date / 聯合王國提交日期 United Kingdom filing date

[30] 聲稱享有的優先權（提交日期 / 巴黎公約國或世界貿易組織成員 / 申請編號） Priority claimed (filing date / Paris Convention country or WTO member / application number)

[51] 國際外觀設計分類號（洛迦諾分類號） International Classification of designs (Locarno Classification)

[54] 物品 Article

[55] 外觀設計的表述 Representation of the design

[62] 分開前的申請編號及提交日期 Application number before division and filing date

[66] 過往註冊的聯繫外觀設計註冊編號 / 日期 Registration No. / Date of Previous Registration for Association

[72] 設計人 Designer

[73] 擁有人姓名和地址 Name and address of the owner

[74] 代理人 Agent / 送達地址 Address for service



香港特別行政區政府知識產權署外觀設計註冊處

The Government of the Hong Kong Special Administrative Region

Designs Registry, Intellectual Property Department

根據註冊外觀設計條例第 25 條註冊的外觀設計

Designs registered under section 25 of the Registered Designs Ordinance

按註冊編號排列

Arranged by Registration Number

- [11] 2017036.9
- [15] 03-11-2020
- [30] 19-10-2020 / KR / 30-2020-0049961
- [51] Cl. 9-05
- [54] 包裝紙
Wrapping paper
- [73] H U ONE CO., LTD.
17-9, Balseom 4-Gil,
Gwangyang-si, Jeollanam-do,
Korea, Republic of
- [74] HONG KONG INTELLECTUAL PROPERTY AGENT LIMITED
Unit 230, 2/F, Building 12W,
No. 12 Science Park West Avenue,
Phase 3, Hong Kong Science Park,
Pak Shek Kok, N.T., Hong Kong



-
- [11] 2017334.0M001

- [15] 25-12-2020
- [30] 26-06-2020 / US / 29/739,577
- [51] Cl. 3-01
- [54] 用於電子裝置的附件
Accessory for an electronic device
- [73] 蘋果公司
APPLE INC.
One Apple Park Way, Cupertino,
California 95014,
United States
- [74] CLT PATENT & TRADEMARK (H.K.) LIMITED
Unit 09, 34/F., Office Tower, Convention Plaza,
No. 1 Harbour Road,
Wanchai, Hong Kong



-
- [11] 2017334.0M002
- [15] 25-12-2020
- [30] 26-06-2020 / US / 29/739,577
- [51] Cl. 3-01
- [54] 用於電子裝置的附件
Accessory for an electronic device
- [73] 蘋果公司
APPLE INC.
One Apple Park Way, Cupertino,
California 95014,
United States
- [74] CLT PATENT & TRADEMARK (H.K.) LIMITED
Unit 09, 34/F., Office Tower, Convention Plaza,
No. 1 Harbour Road,
Wanchai, Hong Kong



[11] 2017334.0M003

[15] 25-12-2020

[30] 26-06-2020 / US / 29/739,577

[51] Cl. 3-01

[54] 帶有電子裝置的附件

Accessory with an electronic device

[73] 蘋果公司

APPLE INC.

One Apple Park Way, Cupertino,

California 95014,

United States

[74] CLT PATENT & TRADEMARK (H.K.) LIMITED

Unit 09, 34/F., Office Tower, Convention Plaza,

No. 1 Harbour Road,

Wanchai, Hong Kong



[11] 2017337.7

[15] 25-12-2020

[30] 01-07-2020 / CN / 202030347532.9

[51] Cl. 14-03

[54] 電視

Television

[73] 北京小米移動軟件有限公司

BEIJING XIAOMI MOBILE SOFTWARE CO., LTD.

中國內地

北京市海澱區西二旗中路
33 號院 6 號樓 8 層 018 號

- [74] 香港派特恩知識產權代理有限公司
香港上環
永樂街 121-125 號
永達商業大廈 10 樓 C 室



[11] 2017343.9M001

[15] 28-12-2020

[30] 01-07-2020 / JP / 013460 of 2020

[51] Cl. 24-02

[54] 藥品注射器

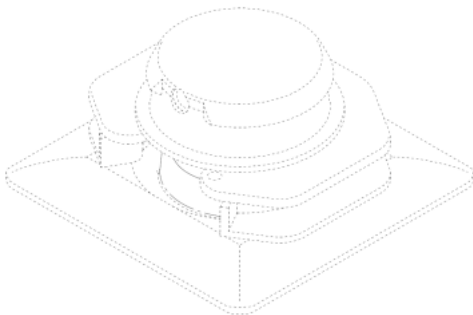
Medicine infusion and injection device

[73] Otsuka Pharmaceutical Factory, Inc.

115, Aza Kuguhara, Tateiwa, Muya-cho, Naruto-shi, Tokushima
772-8601,
Japan

[74] HASTINGS & CO

5/F Gloucester Tower, The Landmark,
11 Pedder Street,
Central, Hong Kong



[11] 2017343.9M002

[15] 28-12-2020

[30] 01-07-2020 / JP / 013461 of 2020

[51] Cl. 24-02

[54] 藥品注射器

Medicine infusion and injection device

[73] Otsuka Pharmaceutical Factory, Inc.

115, Aza Kuguhara, Tateiwa, Muya-cho, Naruto-shi, Tokushima

772-8601,

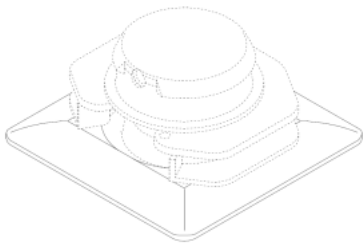
Japan

[74] HASTINGS & CO

5/F Gloucester Tower, The Landmark,

11 Pedder Street,

Central, Hong Kong



[11] 2017343.9M003

[15] 28-12-2020

[30] 01-07-2020 / JP / 013462 of 2020

[51] Cl. 24-02

[54] 藥品注射器

Medicine infusion and injection device

[73] Otsuka Pharmaceutical Factory, Inc.

115, Aza Kuguhara, Tateiwa, Muya-cho, Naruto-shi, Tokushima

772-8601,

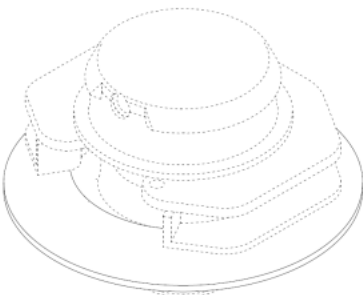
Japan

[74] HASTINGS & CO

5/F Gloucester Tower, The Landmark,

11 Pedder Street,

Central, Hong Kong



[11] 2017343.9M004

[15] 28-12-2020

[30] 01-07-2020 / JP / 013463 of 2020

[51] Cl. 24-02

[54] 藥品注射器

Medicine infusion and injection device

[73] Otsuka Pharmaceutical Factory, Inc.

115, Aza Kuguhara, Tateiwa, Muya-cho, Naruto-shi, Tokushima

772-8601,

Japan

[74] HASTINGS & CO

5/F Gloucester Tower, The Landmark,

11 Pedder Street,

Central, Hong Kong



[11] 2017343.9M005

[15] 28-12-2020

[30] 01-07-2020 / JP / 013464 of 2020

[51] Cl. 24-02

[54] 藥品注射器

Medicine infusion and injection device

[73] Otsuka Pharmaceutical Factory, Inc.

115, Aza Kuguhara, Tateiwa, Muya-cho, Naruto-shi, Tokushima

772-8601,

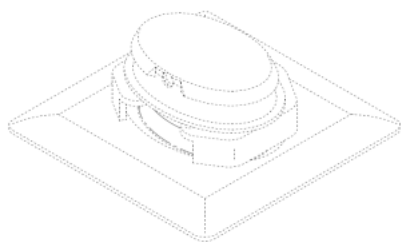
Japan

[74] HASTINGS & CO

5/F Gloucester Tower, The Landmark,

11 Pedder Street,

Central, Hong Kong



[11] 2017343.9M006

[15] 28-12-2020

[30] 01-07-2020 / JP / 013465 of 2020

[51] Cl. 24-02

[54] 藥品注射器

Medicine infusion and injection device

[73] Otsuka Pharmaceutical Factory, Inc.

115, Aza Kuguhara, Tateiwa, Muya-cho, Naruto-shi, Tokushima

772-8601,

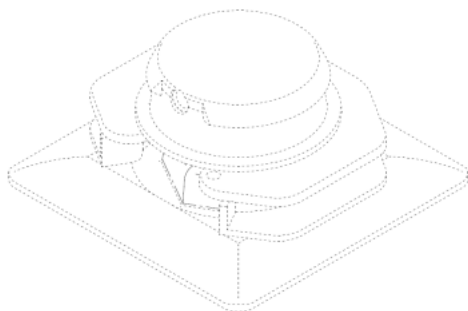
Japan

[74] HASTINGS & CO

5/F Gloucester Tower, The Landmark,

11 Pedder Street,

Central, Hong Kong



[11] 2117512.0M001

[15] 29-01-2021

[30] 31-07-2020 / US / 29/744,880

[51] Cl. 13-02

[54] 充電模塊

Charging module

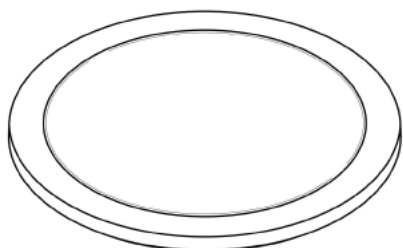
[73] 蘋果公司

APPLE INC.

One Apple Park Way, Cupertino,

California 95014,
United States

- [74] CLT PATENT & TRADEMARK (H.K.) LIMITED
Unit 09, 34/F., Office Tower, Convention Plaza,
No. 1 Harbour Road,
Wanchai, Hong Kong



[11] 2117512.0M002

[15] 29-01-2021

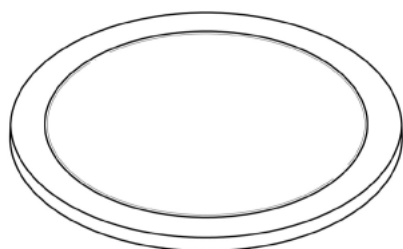
[30] 31-07-2020 / US / 29/744,880

[51] Cl. 13-02

[54] 充電模塊
Charging module

[73] 蘋果公司
APPLE INC.
One Apple Park Way, Cupertino,
California 95014,
United States

[74] CLT PATENT & TRADEMARK (H.K.) LIMITED
Unit 09, 34/F., Office Tower, Convention Plaza,
No. 1 Harbour Road,
Wanchai, Hong Kong



[11] 2117520.7M001

[15] 01-02-2021

[30] 31-07-2020 / US / 29/744,888

[51] Cl. 28-03

[54] 敲擊按摩裝置

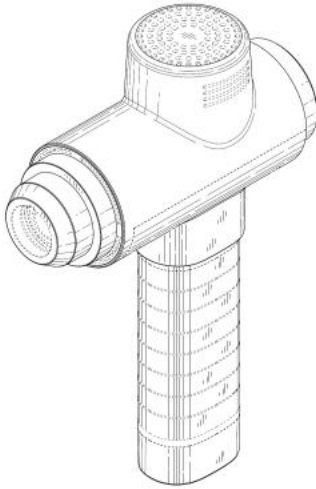
Percussive massage device

[73] HYPER ICE, INC.

525 Technology Drive, Suite 100,
Irvine, California 92618,
United States

[74] CHINA PATENT AGENT (HONG KONG) LIMITED

22/F, Great Eagle Centre,
23 Harbour Road,
Wanchai, Hong Kong



[11] 2117520.7M002

[15] 01-02-2021

[30] 31-07-2020 / US / 29/744,893

[51] Cl. 28-03

[54] 敲擊按摩裝置

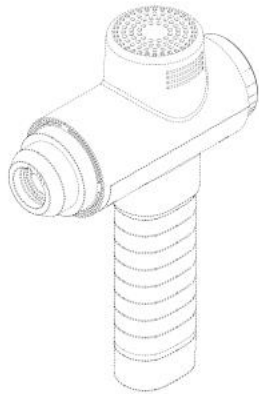
Percussive massage device

[73] HYPER ICE, INC.

525 Technology Drive, Suite 100,
Irvine, California 92618,
United States

[74] CHINA PATENT AGENT (HONG KONG) LIMITED

22/F, Great Eagle Centre,
23 Harbour Road,
Wanchai, Hong Kong



[11] 2117520.7M003

[15] 01-02-2021

[30] 31-07-2020 / US / 29/744,890

[51] Cl. 28-03

[54] 敲擊按摩裝置

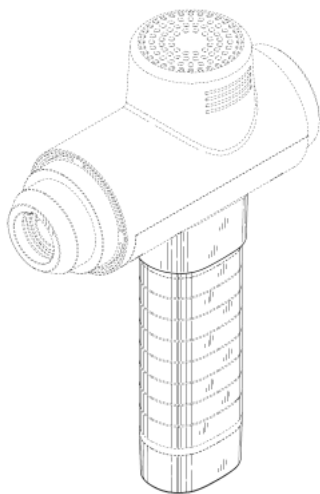
Percussive massage device

[73] HYPER ICE, INC.

525 Technology Drive, Suite 100,
Irvine, California 92618,
United States

[74] CHINA PATENT AGENT (HONG KONG) LIMITED

22/F, Great Eagle Centre,
23 Harbour Road,
Wanchai, Hong Kong



[11] 2117576.5

[15] 11-02-2021

[30] 12-08-2020 / US / 29/746,174

[51] Cl. 25-01

[54] 模組化結構的連接器

Connector for a modular structure

[73] 2724889 安大略公司

2724889 ONTARIO INC.

47 Nelson Street, Oakville,

Ontario L6L 3H5,

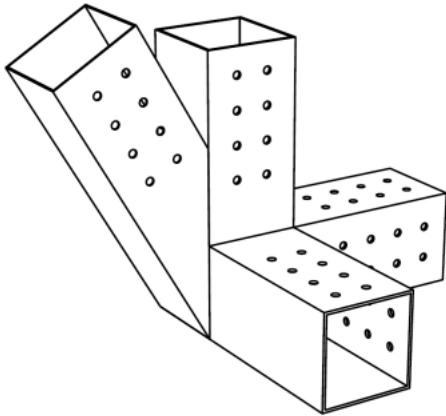
Canada

[74] HONG KONG PATENT & TRADEMARK AGENT LIMITED

Unit 10A, Grand Scholar Building,

No. 419K Queen's Road West,

Hong Kong



[11] 2117577.7

[15] 11-02-2021

[30] 12-08-2020 / US / 29/746,177

[51] Cl. 25-01

[54] 模組化結構的連接器

Connector for a modular structure

[73] 2724889 安大略公司

2724889 ONTARIO INC.

47 Nelson Street, Oakville,

Ontario L6L 3H5,

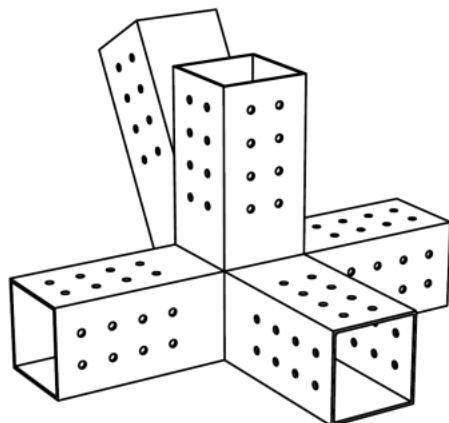
Canada

[74] HONG KONG PATENT & TRADEMARK AGENT LIMITED

Unit 10A, Grand Scholar Building,

No. 419K Queen's Road West,

Hong Kong



[11] 2117578.9

[15] 11-02-2021

[30] 12-08-2020 / US / 29/746,178

[51] Cl. 25-01

[54] 模組化結構的連接器

Connector for a modular structure

[73] 2724889 安大略公司

2724889 ONTARIO INC.

47 Nelson Street, Oakville,

Ontario L6L 3H5,

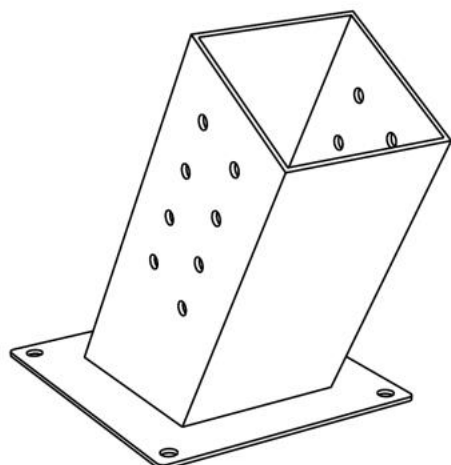
Canada

[74] HONG KONG PATENT & TRADEMARK AGENT LIMITED

Unit 10A, Grand Scholar Building,

No. 419K Queen's Road West,

Hong Kong

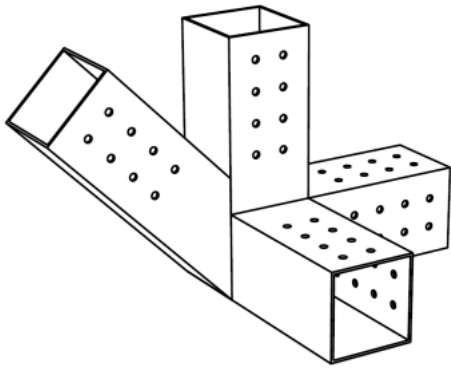


[11] 2117579.1

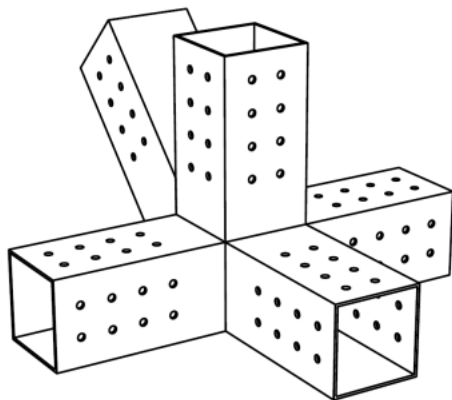
[15] 11-02-2021

- [30] 12-08-2020 / US / 29/746,181
[51] Cl. 25-01
[54] 模組化結構的連接器
Connector for a modular structure

- [73] 2724889 安大略公司
2724889 ONTARIO INC.
47 Nelson Street, Oakville,
Ontario L6L 3H5,
Canada
[74] HONG KONG PATENT & TRADEMARK AGENT LIMITED
Unit 10A, Grand Scholar Building,
No. 419K Queen's Road West,
Hong Kong



-
- [11] 2117580.3
[15] 11-02-2021
[30] 12-08-2020 / US / 29/746,182
[51] Cl. 25-01
[54] 模組化結構的連接器
Connector for a modular structure
[73] 2724889 安大略公司
2724889 ONTARIO INC.
47 Nelson Street, Oakville,
Ontario L6L 3H5,
Canada
[74] HONG KONG PATENT & TRADEMARK AGENT LIMITED
Unit 10A, Grand Scholar Building,
No, 419K Queen's Road West,
Hong Kong



[11] 2117581.5

[15] 11-02-2021

[30] 12-08-2020 / US / 29/746,185

[51] Cl. 25-01

[54] 模組化結構的連接器

Connector for a modular structure

[73] 2724889 安大略公司

2724889 ONTARIO INC.

47 Nelson Street, Oakville,

Ontario L6L 3H5,

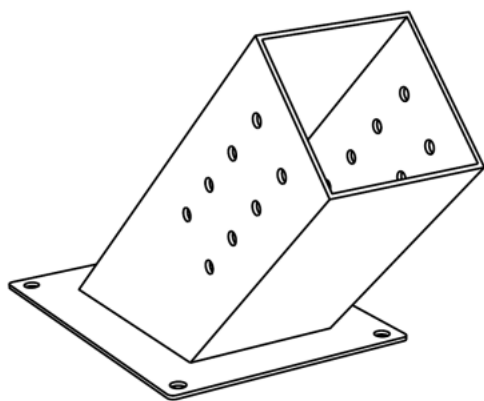
Canada

[74] HONG KONG PATENT & TRADEMARK AGENT LIMITED

Unit 10A, Grand Scholar Building,

No. 419K Queen's Road West,

Hong Kong



[11] 2117595.5

[15] 18-02-2021

[30] 20-08-2020 / DE / 40 2020 100 797.8

[51] Cl. 12-08

[54] 汽車

Motor vehicle

[73] VOLKSWAGEN AKTIENGESELLSCHAFT

Berliner Ring 2,

38440 Wolfsburg,

Germany

[74] CHINA PATENT AGENT (HONG KONG) LIMITED

22/F, Great Eagle Centre,

23 Harbour Road,

Wanchai, Hong Kong



[11] 2117596.7

[15] 18-02-2021

[30] 20-08-2020 / DE / 40 2020 100 797.8

[51] Cl. 21-01

[54] 玩具車

Toy vehicle

[73] VOLKSWAGEN AKTIENGESELLSCHAFT

Berliner Ring 2,

38440 Wolfsburg,

Germany

[74] CHINA PATENT AGENT (HONG KONG) LIMITED

22/F, Great Eagle Centre,

23 Harbour Road,

Wanchai, Hong Kong



[11] 2117645.2

[15] 02-03-2021

[51] Cl. 14-03

Cl. 14-01

[54] 無線耳機連盒

Wireless earphone with a case

[73] Ambie Corporation

Toranomon Hills Business Tower 4F WiL office,

1-17-1 Toranomom, Minato-ku,

Tokyo 105-6490,

Japan

[74] GALLANT

5/F Jardine House,

1 Connaught Place,

Central, Hong Kong



[11] 2117646.4

[15] 02-03-2021

[51] Cl. 14-03

Cl. 14-01

[54] 無線耳機

Wireless earphone

[73] Ambie Corporation

Toranomon Hills Business Tower 4F WiL office,

1-17-1 Toranomom, Minato-ku,

Tokyo 105-6490,

Japan

[74] GALLANT

5/F Jardine House,

1 Connaught Place,

Central, Hong Kong



[11] 2117667.8

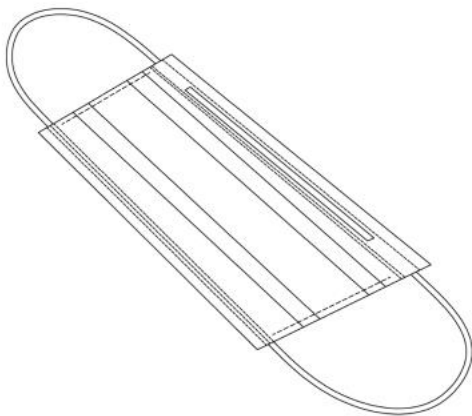
[15] 23-03-2021

[51] Cl. 29-02

[54] 口罩
Mask

[73] 弓立(香港)醫療用品有限公司
SPRO Medical Products (HK) Co. Limited
香港
青衣長達路 1-33 號
青衣工業中心二期 C 座 3 樓 301-303 室

[74] 弓立(香港)醫療用品有限公司
香港
香港科學園科技大道東 1 號
核心大樓 1 座 6 樓 601(11)室



[11] 2117688.2

[15] 22-03-2021

[51] Cl. 28-03

[54] 智能仿生美容儀和它的充電座
Smart mimicry beauty machine with its charging base

[73] 李崇山

Li Sung Shan

香港柴灣

樂翠台第一座

9 樓 D 室

[74] 李崇山

香港九龍

牛頭角大業街 15-17 號

永富工業大廈 10 樓 A02 室



[11] 2117691.8

[15] 12-03-2021

[30] 15-09-2020 / DE / 40 2020 100 861.3

[51] Cl. 21-01

[54] 玩具車

Toy vehicle

[73] VOLKSWAGEN AKTIENGESELLSCHAFT

Berliner Ring 2,

38440 Wolfsburg,

Germany

[74] CHINA PATENT AGENT (HONG KONG) LIMITED

22/F, Great Eagle Centre,

23 Harbour Road,

Wanchai, Hong Kong



- [11] 2117692.0
[15] 12-03-2021
[30] 15-09-2020 / DE / 40 2020 100 861.3
[51] Cl. 12-08
[54] 汽車
Motor vehicle
[73] VOLKSWAGEN AKTIENGESELLSCHAFT
Berliner Ring 2,
38440 Wolfsburg,
Germany
[74] CHINA PATENT AGENT (HONG KONG) LIMITED
22/F, Great Eagle Centre,
23 Harbour Road,
Wanchai, Hong Kong



-
- [11] 2117693.2
[15] 12-03-2021
[30] 17-09-2020 / EU / 008172779
[51] Cl. 10-02
[54] 腕錶
Wrist watch
[73] Daniel Wellington AB
Vasagatan 12
111 20 Stockholm
Sweden
[74] AWA ASIA LIMITED
Suite 1411, 14/F Leighton Centre,
77 Leighton Road, Causeway Bay,
Hong Kong.



[11] 2117703.5

[15] 16-03-2021

[30] 18-09-2020 / CN / 202030558128.6

[51] C1. 10-02

[54] 智能手錶

Smart watch

[73] 北京小米移動軟件有限公司

BEIJING XIAOMI MOBILE SOFTWARE CO., LTD.

中國內地

北京市海澱區西二旗中路

33 號院 6 號樓 8 層 018 號

[74] 香港派特恩知識產權代理有限公司

香港上環

永樂街 121-125 號

永達商業大廈 10 樓 C 室



[11] 2117705.0

[15] 16-03-2021

[30] 18-09-2020 / CN / 202030558240.X

[51] C1. 13-02

[54] 充電座

Charging base

[73] 北京小米移動軟件有限公司

BEIJING XIAOMI MOBILE SOFTWARE CO., LTD.

中國內地

北京市海澱區西二旗中路

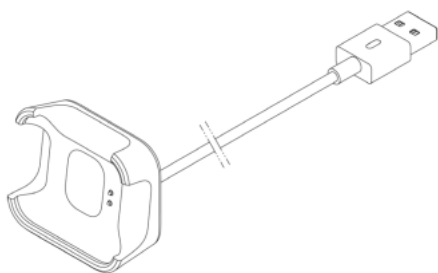
33 號院 6 號樓 8 層 018 號

[74] 香港派特恩知識產權代理有限公司

香港上環

永樂街 121-125 號

永達商業大廈 10 樓 C 室



[11] 2117709.8

[15] 17-03-2021

[30] 18-09-2020 / US / 29/751,191

[51] Cl. 14-01

[54] 便攜式揚聲器

Portable loudspeaker

[73] Bose Corporation

The Mountain, MS 3B1

Framingham, Massachusetts 01701-9168

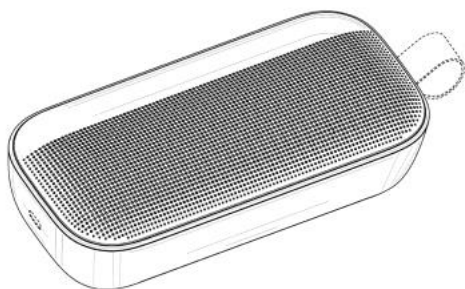
United States

[74] WENPING PATENT & TRADE MARK AGENT LIMITED

1701 Tung Wai Commercial Building,

111 Gloucester Road,

Hong Kong



- [11] 2117722.5
[15] 19-03-2021
[51] Cl. 9-03
[54] 包裝盒
Packing box
[73] 新頤藥業科技集團有限公司
香港新界
粉嶺業豐街 13 號
多利工業大廈 3 樓 J 室
[74] 新頤藥業科技集團有限公司
香港新界
粉嶺業豐街 13 號
多利工業大廈 3 樓 J 室



- [11] 2117740.3M001
[15] 23-03-2021
[30] 24-09-2020 / EU / 008180715
[51] Cl. 2-04
[54] 鞋底
Shoe sole
[73] TOD'S S.P.A.
Via Filippo Della Valle 1,
I-63811 Sant'Elpidio a Mare (FERMO),
Italy
[74] CHINA PATENT AGENT (HONG KONG) LIMITED
22/F, Great Eagle Centre,
23 Harbour Road,
Wanchai, Hong Kong



[11] 2117740.3M002

[15] 23-03-2021

[30] 24-09-2020 / EU / 008180715

[51] Cl. 2-04

[54] 鞋底

Shoe sole

[73] TOD'S S.P.A.

Via Filippo Della Valle 1,
I-63811 Sant'Elpidio a Mare (FERMO),
Italy

[74] CHINA PATENT AGENT (HONG KONG) LIMITED

22/F, Great Eagle Centre,
23 Harbour Road,
Wanchai, Hong Kong



[11] 2117741.5

[15] 23-03-2021

[51] Cl. 9-07

[54] 水樽蓋用在水樽上

Cap for water bottle

[73] Gooku Company Limited

Shop 101, 1/F., E Plaza Legend Tower,
7 Shing Yip Street,
Kwun Tong, Kowloon, Hong Kong

- [74] Gooku Company Limited (Attn: Sze Chun Hing)
Shop 101, 1/F., E Plaza Legend Tower,
7 Shing Yip Street,
Kwun Tong, Kowloon, Hong Kong



-
- [11] 2117749.2
[15] 24-03-2021
[30] 25-09-2020 / EU / 008182729
[51] Cl. 3-01
[54] 包
Bag
[73] TOD'S S.P.A.
Via Filippo Della Valle 1,
I-63811 Sant'Elpidio a Mare (FERMO),
Italy
[74] CHINA PATENT AGENT (HONG KONG) LIMITED
22/F, Great Eagle Centre,
23 Harbour Road,
Wanchai, Hong Kong



[11] 2117768.2

[15] 29-03-2021

[30] 10-10-2020 / CN / 202030600165.9

[51] Cl. 7-02

[54] 炒菜機

Cooking appliance

[73] 純米科技(上海)股份有限公司

Chunmi Technology (Shanghai) Co.,Ltd.

Room 01-04, 1/F, Block No.2,

No. 60, Naxian Road;

Pudong New Area, Shanghai,

China

[74] YOU YI INTERNATIONAL INTELLECTUAL PROPERTY SERVICES LIMITED

Suite 1602, 16/F, Tower 1, China Hong Kong City,

33 Canton Road,

Tsim Sha Tsui, Kowloon, Hong Kong



[11] 2117794.6

[15] 01-04-2021

[30] 06-10-2020 / US / 29/754,085

[51] Cl. 28-03

[54] 髮型設計裝置

Hair styling apparatus

[73] M. M. & R. Products, Inc.

2186 Eastman Avenue,

Suite 109, Ventura, California 93003,

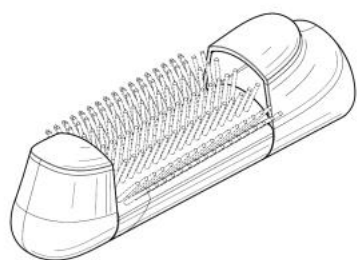
United States

[74] CHINA PATENT AGENT (HONG KONG) LIMITED

22/F, Great Eagle Centre,

23 Harbour Road,

Wanchai, Hong Kong



[11] 2117819.1

[15] 08-04-2021

[51] Cl. 10-02

[54] 腕錶

Wrist watch

[73] 丹瑪有限公司

香港九龍

紅磡崇安街 18 號

半島廣場 21 樓 2103 室

[74] 丹瑪有限公司

香港九龍

紅磡崇安街 18 號

半島廣場 21 樓 2103 室



[11] 2117820.3

[15] 08-04-2021

[51] Cl. 10-02

[54] 腕錶

Wrist watch

[73] 丹瑪有限公司

香港九龍

紅磡崇安街 18 號

半島廣場 21 樓 2103 室

[74] 丹瑪有限公司

香港九龍

紅磡崇安街 18 號

半島廣場 21 樓 2103 室



[11] 2117824.1

[15] 08-04-2021

[51] Cl. 12-08

[54] 具有碰撞脫離車廂的車輛

Vehicle with collision beak away car compartment

[73] 梁志超

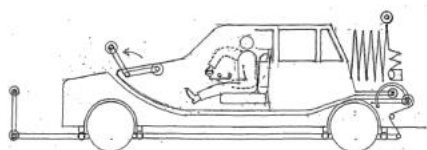
香港北角

永興街 27 號 8 樓

[74] 梁志超

香港北角

永興街 27 號 8 樓



[11] 2117825.4

[15] 08-04-2021

[30] 29-10-2020 / CN / 202030648142.5

[51] Cl. 14-01

[54] 無線耳機

Wireless earphone

[73] 北京小米移動軟件有限公司

BEIJING XIAOMI MOBILE SOFTWARE CO., LTD.

中國內地

北京市海澱區西二旗中路

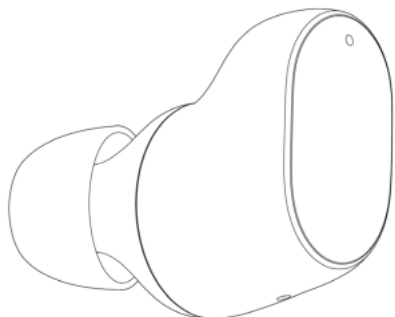
33 號院 6 號樓 8 層 018 號

[74] 香港派特恩知識產權代理有限公司

香港上環

永樂街 121-125 號

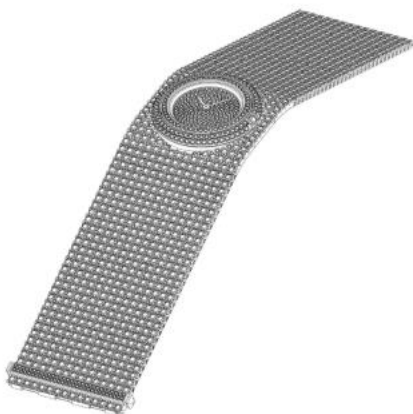
永達商業大廈 10 樓 C 室



- [11] 2117826.6M001
[15] 08-04-2021
[30] 11-02-2021 / CH, GB, EU / WIPO101766
[51] Cl. 10-02
[54] 錶
Watch
[73] RICHEMONT INTERNATIONAL SA
Route des biches 10,
1752 Villars-Sur-Glane,
Switzerland
[74] LETTERS & THOO LIMITED
Suite 1008, Prosperity Millennia Plaza,
663 King's Road,
Quarry Bay, Hong Kong



-
- [11] 2117826.6M002
[15] 08-04-2021
[30] 11-02-2021 / CH, GB, EU / WIPO101766
[51] Cl. 10-02
[54] 錶
Watch
[73] RICHEMONT INTERNATIONAL SA
Route des biches 10,
1752 Villars-Sur-Glane,
Switzerland
[74] LETTERS & THOO LIMITED
Suite 1008, Prosperity Millennia Plaza,
663 King's Road,
Quarry Bay, Hong Kong



[11] 2117826.6M003

[15] 08-04-2021

[30] 11-02-2021 / CH, GB, EU / WIPO101766

[51] Cl. 10-07

[54] 錶殼和錶盤

Watch case and watch dial

[73] RICHEMONT INTERNATIONAL SA

Route des biches 10,
1752 Villars-Sur-Glane,
Switzerland

[74] LETTERS & THOO LIMITED

Suite 1008, Prosperity Millennia Plaza,
663 King's Road,
Quarry Bay, Hong Kong



[11] 2117826.6M004

[15] 08-04-2021

[30] 11-02-2021 / CH, GB, EU / WIPO101766

[51] Cl. 10-07

[54] 錶殼和錶盤

Watch case and watch dial

[73] RICHEMONT INTERNATIONAL SA

Route des biches 10,
1752 Villars-Sur-Glane,
Switzerland

[74] LETTERS & THOO LIMITED

Suite 1008, Prosperity Millennia Plaza,
663 King's Road,
Quarry Bay, Hong Kong



[11] 2117826.6M005

[15] 08-04-2021

[30] 11-02-2021 / CH, GB, EU / WIPO101766

[51] Cl. 10-07

[54] 錶殼和錶盤

Watch case and watch dial

[73] RICHEMONT INTERNATIONAL SA

Route des biches 10,
1752 Villars-Sur-Glane,
Switzerland

[74] LETTERS & THOO LIMITED

Suite 1008, Prosperity Millennia Plaza,
663 King's Road,
Quarry Bay, Hong Kong



[11] 2117826.6M006

[15] 08-04-2021

[30] 11-02-2021 / CH, GB, EU / WIPO101766

[51] Cl. 10-07

[54] 錶殼和錶盤

Watch case and watch dial

[73] RICHEMONT INTERNATIONAL SA

Route des biches 10,
1752 Villars-Sur-Glane,
Switzerland

[74] LETTERS & THOO LIMITED

Suite 1008, Prosperity Millennia Plaza,
663 King's Road,
Quarry Bay, Hong Kong



[11] 2117826.6M007

[15] 08-04-2021

[30] 11-02-2021 / CH, GB, EU / WIPO101766

[51] Cl. 10-07

[54] 錶殼和錶盤

Watch case and watch dial

[73] RICHEMONT INTERNATIONAL SA

Route des biches 10,
1752 Villars-Sur-Glane,
Switzerland

[74] LETTERS & THOO LIMITED

Suite 1008, Prosperity Millennia Plaza,
663 King's Road,
Quarry Bay, Hong Kong



[11] 2117826.6M008

[15] 08-04-2021

[30] 11-02-2021 / CH, GB, EU / WIPO101766

[51] Cl. 10-07

[54] 錶帶

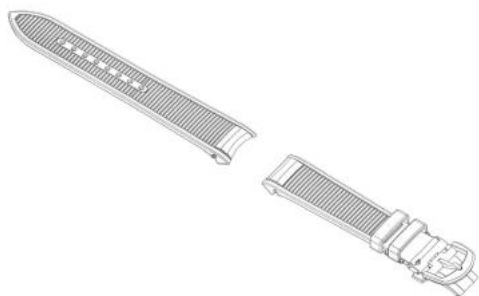
Watch strap

[73] RICHEMONT INTERNATIONAL SA

Route des biches 10,
1752 Villars-Sur-Glane,
Switzerland

[74] LETTERS & THOO LIMITED

Suite 1008, Prosperity Millennia Plaza,
663 King's Road,
Quarry Bay, Hong Kong



[11] 2117826.6M009

[15] 08-04-2021

[30] 11-02-2021 / CH, GB, EU / WIPO101766

[51] Cl. 10-07

[54] 錶盤

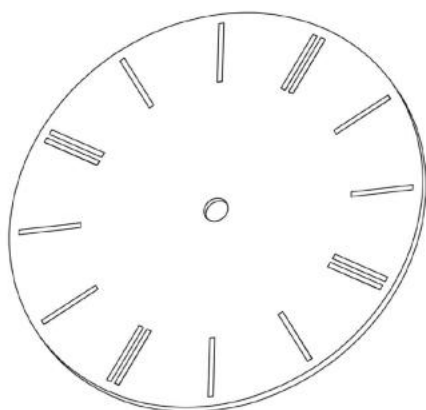
Watch dial

[73] RICHEMONT INTERNATIONAL SA

Route des biches 10,
1752 Villars-Sur-Glane,
Switzerland

[74] LETTERS & THOO LIMITED

Suite 1008, Prosperity Millennia Plaza,
663 King's Road,
Quarry Bay, Hong Kong



[11] 2117830.4M001

[15] 09-04-2021

[51] Cl. 26-02

[54] 燈籠

Lantern

[73] 蔡國浩
CHOI KWOK HO
香港新界
元朗朗屏邨
錦屏樓 2609 號

[74] 蔡國浩
香港新界
元朗朗屏邨
錦屏樓 2609 號



[11] 2117830.4M002

[15] 09-04-2021

[51] Cl. 26-02

[54] 燈籠
Lantern

[73] 蔡國浩
CHOI KWOK HO
香港新界
元朗朗屏邨
錦屏樓 2609 號

[74] 蔡國浩
香港新界
元朗朗屏邨
錦屏樓 2609 號





香港特別行政區政府知識產權署外觀設計註冊處

The Government of the Hong Kong Special Administrative Region

Designs Registry, Intellectual Property Department

根據註冊外觀設計條例第 28 條，下列註冊外觀設計因未繳續期費而停止有效。

各組記項按註冊外觀設計停止有效日期及註冊編號先後次序排列。

Registered designs ceased through non-payment of renewal fees under section 28 of the Registered Designs Ordinance. Entries are listed below under their expiry dates.

25-02-2021 - 03-03-2021

25-02-2021	1100324.9M005	
0110259.1M001	1100331.4	02-03-2021
0110259.1M002		1100345.4
1600307.9	28-02-2021	1100347.8M001
1600308.1	0110287.0M001	1100347.8M002
1600309.3	0110287.0M002	1100347.8M003
1600310.5	1100338.9M001	1100347.8M004
1600311.7	1100338.9M002	1100347.8M005
1600312.9	1600318.2	1100347.8M006
1600313.1	1600319.4M001	1100347.8M007
1600314.3	1600319.4M002	1100352.8
1600315.6	1600324.4M002	1100353.0
1600316.8	1600324.4M003	1600351.1M002
	1600326.9	1600355.0
26-02-2021	1600327.1	1600356.2
0600466.3	1600328.3	1600357.4
	1600329.5	1600358.6
27-02-2021	1600330.7	1600360.0
0600479.0	1600331.9	1600361.2
0600480.2	1600333.3M002	1600362.4
0600481.4M001	1600334.5M002	1600363.6M001
0600481.4M002	1600338.4	1600364.8
0600481.4M004	1600339.6	
0600483.8	1600340.8	03-03-2021
0600489.1M001	1600341.0	0600517.3
0600489.1M002	1600344.6	1100354.2
0600489.1M003	1600345.9	1100360.5M001
0600489.1M004		1100360.5M002
0600489.1M005	01-03-2021	1100360.5M003
0600489.1M008	0600498.0	1100371.8
1100324.9M001	0600500.7	1100372.0
1100324.9M002	0600501.9	1100375.7
1100324.9M003	0600502.1M001	1600373.7M001
1100324.9M004	0600502.1M002	1600373.7M002

1600373.7M003
1600373.7M004
1600373.7M005
1600373.7M006
1600373.7M007
1600373.7M008
1600373.7M009
1600373.7M010
1600374.9M001
1600374.9M002
1600379.0



香港特別行政區政府知識產權署外觀設計註冊處

The Government of the Hong Kong Special Administrative Region

Designs Registry, Intellectual Property Department

根據註冊外觀設計規則第 31 條刪除的註冊外觀設計。各組記項按註冊外觀設計刪除日期及註冊編號先後次序排列。

Registered designs removed under section 31 of the Registered Designs Rules. Entries are listed below under their removal dates.

30-04-2021 - 06-05-2021

30-04-2021	0011189.2M001	1501919.7
1001553.5	0011189.2M002	1501924.7
1501874.0	1001558.6M001	1501929.8
1501875.3M001	1001558.6M002	1501930.0M002
1501875.3M002	1001560.0	
1501875.3M003	1001561.2	04-05-2021
1501875.3M004	1001563.6M001	0502035.1
1501878.9M001	1001563.6M002	0502042.5
	1001564.8M001	1001584.0M001
01-05-2021	1001564.8M002	1001584.0M002
1001556.2M001	1001565.1	1001586.5
1001556.2M002	1001569.9M001	1001587.7
1501885.4M001	1001569.9M002	1501931.2
1501885.4M002	1001569.9M003	1501933.6
1501885.4M003	1001569.9M004	1501934.8
1501886.6M001	1001570.1M001	1501936.3M001
1501886.6M002	1001570.1M002	1501936.3M002
	1001571.3	1501937.5M001
02-05-2021	1001576.4	1501937.5M002
1501888.0	1001579.0	1501938.7M001
1501889.2M001	1001581.4	1501938.7M002
1501889.2M003	1501900.7	1501942.5
1501890.4	1501901.9	1501943.7
1501895.5	1501902.1	1501944.9
1501896.7	1501903.3	1501945.2
	1501904.5	1501946.4
03-05-2021	1501905.8	1501947.6
0011165.2	1501906.0M001	1501948.8
0011167.6	1501906.0M002	1501949.0
0011184.1M001	1501906.0M003	1501950.2
0011184.1M003	1501907.2M001	1501952.6
0011184.1M004	1501907.2M005	
0011184.1M006	1501907.2M006	05-05-2021
0011188.0	1501908.4	1001590.3M002

1001597.8

1001598.0

1001599.2

1001601.8

1001603.2

06-05-2021

1501953.8

1501954.0

1501957.7M001

1501957.7M002



香港特別行政區政府知識產權署外觀設計註冊處

The Government of the Hong Kong Special Administrative Region

Designs Registry, Intellectual Property Department

根據註冊外觀設計條例第 67 及 76 條，更正註冊紀錄冊內及已提交文件中的錯誤

Correction of Errors in Register and in Filed Documents under sections 67 and 76 of the Registered Designs Ordinance

任何人士現可對下列更正錯誤的請求提出反對

Requests for correction of errors now open to opposition

如任何人士意欲反對下列請求，則須在本官方公報刊登是項更正請求的日期起計的兩個月內，根據註冊外觀設計規則第 51(3) 及 62(4) 條，採用指明外觀設計表格第 D9 號提交反對通知。如在限期內沒有收到任何反對通知，處長將依本公報刊登的更正請求的內容，准許是項更正請求。

If any person wishes to oppose the following request, he shall file a notice of opposition in specified Designs Form D9 within two months from the date of advertisement in this official journal under sections 51(3) and 62(4) of the Registered Designs Rules. If no notice of opposition is received, the requests for correction will be allowed by the Registrar in the present advertised form.

請求更正外觀設計的表述的錯誤

Request made for correction of the representations of the design

[11] 2016581.3M002

