

# 香港知識產權公報

Hong Kong Intellectual Property Journal

2020 年 5 月 22 日  
22 May 2020

## 目錄 Contents

### 根據註冊外觀設計條例第 25 條註冊的外觀設計

#### **Designs Registered under section 25 of the Registered Designs Ordinance**

按註冊編號排列

Arranged by Registration Number

### 根據註冊外觀設計條例(第 522 章)公布的其他公告

#### **Other Notices Published under the Registered Designs Ordinance (Cap. 522)**

根據註冊外觀設計條例第 28 條, 註冊外觀設計因未繳續期費而停止有效

Registered designs ceased through non-payment of renewal fees under section 28 of the Registered Designs Ordinance

根據註冊外觀設計條例第 76 條, 更正已提交文件中的錯誤

Correction of errors in filed documents under section 76 of the Registered Designs Ordinance

勘誤

Corrigendum

### 以下事項沒有記錄

#### **No Records for the Following Matters**

根據註冊外觀設計條例第 30 條放棄的外觀設計的註冊

Surrender of Registration of Design under section 30 of the Registered Designs Ordinance

根據註冊外觀設計規則第 31 條刪除的註冊外觀設計

Registered designs removed under section 31 of the Registered Designs Rules

根據註冊外觀設計規則第 37 條，向處長作出轉介

Reference to Registrar under section 37 of the Registered Designs Rules

根據註冊外觀設計條例第 45 條，撤銷註冊

Revocation of Registration under section 45 of the Registered Designs Ordinance

根據註冊外觀設計規則第 46 條，向法院作出轉介

Reference to Court under section 46 of the Registered Designs Rules

根據註冊外觀設計規則第 63 條對不符合規定之處作出糾正

Rectification of Irregularities under section 63 of the Registered Designs Rules

根據註冊外觀設計條例第 66 條，糾正註冊紀錄冊

Rectification of Register under section 66 of the Registered Designs Ordinance

根據註冊外觀設計條例第 67 條 更正註冊紀錄冊內的錯誤

Correction of errors in Register under section 67 of the Registered Designs Ordinance

根據註冊外觀設計條例第 67 及 76 條，更正註冊紀錄冊內及已提交文件中的錯誤

Correction of Errors in Register and in Filed Documents under sections 67 and 76 of the Registered Designs Ordinance

## 註冊外觀設計公告註釋

### Notes on advertisements of registration of designs

方括號表示下列資料：

Square brackets indicate the following data：

[11] 註冊編號 Registration number / 聯合王國註冊編號 United Kingdom registration number

[15] 註冊日期 Registration date / 當作註冊日期 Deemed registration date / 聯合王國註冊日期 United Kingdom registration date

[17] 註冊有效期屆滿日期 Expiry date of the period of registration

[22] 提交日期 Filing date / 當作提交日期 Deemed filing date / 聯合王國提交日期 United Kingdom filing date

[30] 聲稱享有的優先權（提交日期 / 巴黎公約國或世界貿易組織成員 / 申請編號） Priority claimed (filing date / Paris Convention country or WTO member / application number)

[51] 國際外觀設計分類號（洛迦諾分類號） International Classification of designs (Locarno Classification)

[54] 物品 Article

[55] 外觀設計的表述 Representation of the design

[62] 分開前的申請編號及提交日期 Application number before division and filing date

[66] 過往註冊的聯繫外觀設計註冊編號 / 日期 Registration No. / Date of Previous Registration for Association

[72] 設計人 Designer

[73] 擁有人姓名和地址 Name and address of the owner

[74] 代理人 Agent / 送達地址 Address for service



香港特別行政區政府知識產權署外觀設計註冊處

The Government of the Hong Kong Special Administrative Region

Designs Registry, Intellectual Property Department

## 根據註冊外觀設計條例第 25 條註冊的外觀設計

### Designs registered under section 25 of the Registered Designs Ordinance

按註冊編號排列

Arranged by Registration Number

[11] 1914285.0M001

[15] 29-07-2019

[51] Cl. 21-01

[54] 氣槍用的榴彈發射器

Grenade launcher for airsoft gun

[73] 黃海泉

WONG HOI CHUEN

香港

元朗洪水橋

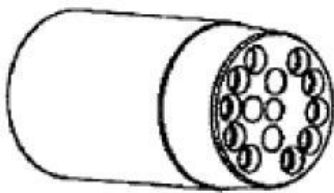
洪福邨洪福街市 19 號

[74] 黃海泉

香港

新界元朗洪水橋

雅珊園 2 座 3G



---

[11] 1914285.0M002

[15] 22-07-2019

[51] Cl. 21-01

[54] 氣槍用的榴彈發射器  
Grenade launcher for airsoft gun

[73] 黃海泉  
WONG HOI CHUEN  
香港  
元朗洪水橋  
洪福邨洪福街市 19 號

[74] 黃海泉  
香港  
新界元朗洪水橋  
雅珊園 2 座 3G



---

[11] 1914531.3M001

[15] 26-08-2019

[30] 28-02-2019 / JP / 2019 of 004206

[51] Cl. 26-06

[54] 汽車前組合燈  
Front combination lamp for an automobile

[73] TOYOTA JIDOSHA KABUSHIKI KAISHA  
1, Toyota-cho, Toyota-shi, Aichi-ken, 471-8571  
JAPAN

[74] CLT PATENT & TRADEMARK (H.K.) LIMITED  
Unit 09, 34/F., Office Tower, Convention Plaza  
No. 1 Harbour Road, Wanchai  
HONG KONG



---

[11] 1914531.3M002

[15] 26-08-2019

[30] 28-02-2019 / JP / 2019 of 004208

[51] Cl. 26-06

[54] 汽車後組合燈

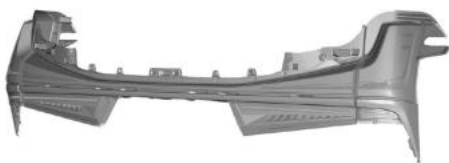
Rear combination lamp for an automobile

[73] TOYOTA JIDOSHA KABUSHIKI KAISHA

1, Toyota-cho, Toyota-shi, Aichi-ken, 471-8571  
JAPAN

[74] CLT PATENT & TRADEMARK (H.K.) LIMITED

Unit 09, 34/F., Office Tower, Convention Plaza  
No. 1 Harbour Road, Wanchai  
HONG KONG



---

[11] 1914580.6

[15] 02-09-2019

[51] Cl. 13-02



[54] 旅行充電器

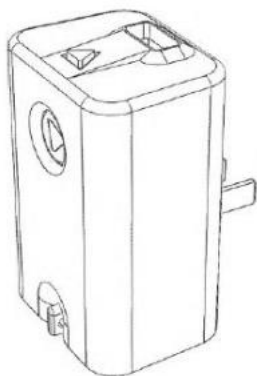
Travel adapter

[73] 新創億設施產品服務有限公司

New Billion Facility & Service Limited  
17/F, B5, Goodwill Industrial Building,  
36-44 Pak Tin Par Street, Tsuen Wan  
HONG KONG

[74] New Billion Facility & Service Limited

17/F, B5, Goodwill Industrial Building,  
36-44 Pak Tin Par Street, Tsuen Wan  
HONG KONG



---

[11] 1914612.5

[15] 05-09-2019

[30] 15-04-2019 / US / 29/687,737

[51] Cl. 31-00

[54] 攪拌機

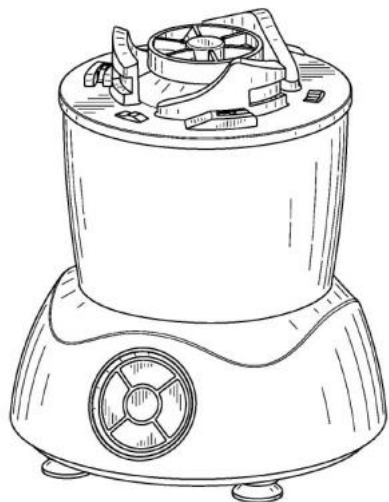
Blender

[73] CAPBRAN HOLDINGS, LLC

11601 WILSHIRE BLVD., SUITE 2300  
LOS ANGELES, CA 90025  
UNITED STATES OF AMERICA

[74] CHINA PATENT AGENT (HONG KONG) LIMITED

22/F, Great Eagle Centre, 23 Harbour Road,  
Wanchai  
HONG KONG



---

[11] 1914634.1

[15] 09-09-2019

[30] 25-07-2019 / CN / 201930399029.5

[51] C1. 14-01

[54] 耳機

Earphone

[73] SONY CORPORATION

1-7-1 KONAN, MINATO-KU

TOKYO 108-0075, JAPAN

JAPAN

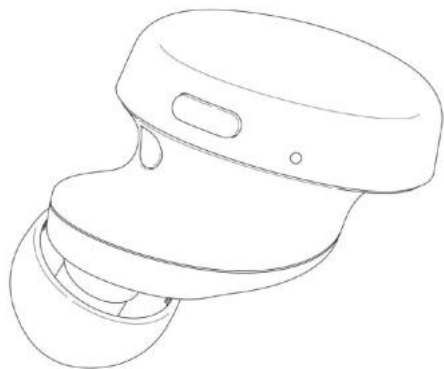
[74] UNITALEN ATTORNEYS AT LAW LIMITED

RM 1201, 12/F,

GOLDEN ERA PLAZA,

39-55 SAI YEE ST, MONGKOK KLN

HONG KONG



---

[11] 1914650.5M001

[15] 12-09-2019

[51] Cl. 10-02

[54] 腕錶

Wrist watch

[73] 雅倫安東尼珠寶有限公司

A & A JEWELRY LIMITED

香港九龍

紅磡半島廣場 21 樓 2103 室

[74] 雅倫安東尼珠寶有限公司

香港九龍

崇安街 18 號

半島廣場 21 樓 2103 室



---

[11] 1914650.5M002

[15] 12-09-2019

[51] Cl. 10-02

[54] 腕錶

Wrist watch

[73] 雅倫安東尼珠寶有限公司

A & A JEWELRY LIMITED

香港九龍

紅磡半島廣場 21 樓 2103 室

[74] 雅倫安東尼珠寶有限公司

香港九龍

崇安街 18 號

半島廣場 21 樓 2103 室



---

[11] 1914704.0

[15] 23-09-2019

[51] Cl. 21-01

[54] 玩具魚缸車

Toy fish tank vehicle

[73] 集美塑膠玩具製品廠有限公司

CHAP MEI PLASTIC TOYS MFY LTD.

Unit 541, 5/F., Sino Industrial Plaza

9 Kai Cheung Road, Kowloon Bay, Kowloon

HONG KONG

[74] BENNY KONG & TSAI

Unit 19B, Overseas Trust Bank Building

No. 160 Gloucester Road, Wanchai

HONG KONG



---

[11] 1914785.1

[15] 09-10-2019

[30] 16-05-2019 / CN / 201930237987.2

[51] Cl. 11-02

[54] 擺件套件

Decoration kit

[73] 阿里巴巴集團控股有限公司

Alibaba Group Holding Limited

開曼群島

大開曼

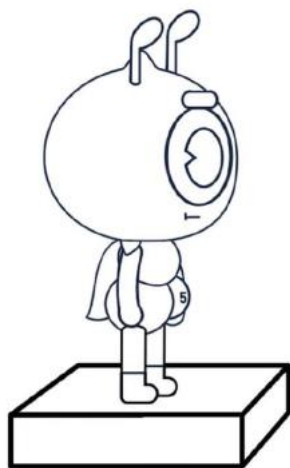
資本大廈一座四層 847 號郵箱

[74] 博思佳知識產權代理有限公司

香港

九龍新蒲崗五芳街 8 號

利嘉工業大廈 11 樓 32 室



---

[11] 1914825.7

[15] 15-10-2019

[30] 11-09-2019 / GB / 6070652

[51] Cl. 3-01

[54] 背包

Backpack

[73] Minesh Vishnuprasad Brahmhatt

Unit 4 Eclipse Industrial Estate, Watford,

Watford, WD24 7AE,

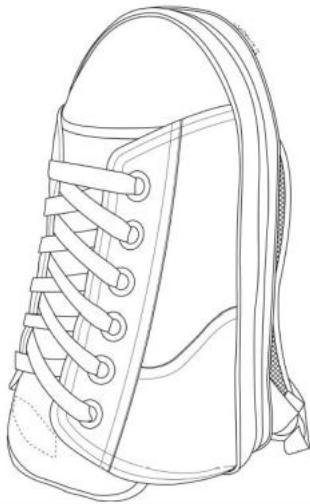
UNITED KINGDOM

[74] HASTINGS & CO

5/F Gloucester Tower, The Landmark,

11 Pedder Street, Central,

HONG KONG



---

[11] 1915229.3

[15] 12-12-2019

[30] 07-11-2019 / CN / 201930611271.4

[51] C1. 13-03

[54] 多功能轉換器

Multi-functional converter

[73] 廣東高普達集團股份有限公司

Guangdong Gopod Group Co., Ltd.

中國內地

廣東省深圳市龍華新區大浪街道

同勝社區華榮路聯建科技工業園

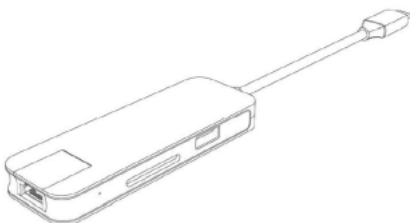
廠房 8 棟 4, 5, 6 樓

[74] 中一聯合國際知識產權有限公司

香港九龍尖沙咀

漆咸道南 45-51 號

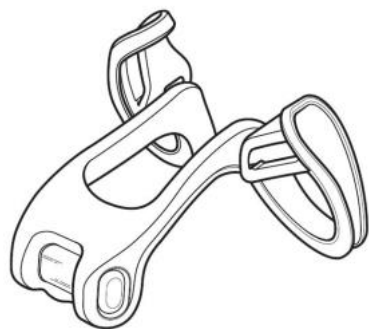
其士大廈 803 室



- [11] 1915230.5  
[15] 12-12-2019  
[51] Cl. 24-02  
[54] 用於檢測心率, 血壓, 血氧飽和度, 心電圖和血糖的便攜式裝置  
Portable device for testing heart rate, blood pressure, blood oxygen saturation levels, ECG and blood glucose  
[73] William Kum Siu Chee  
214 One Terminal,  
2 Tsing Shan Square,  
Tuen Mun, N.T., Hong Kong  
[74] Accolade Ip Limited  
10/F, Fu Fai Comm. Ctr.,  
27 Hillier Street,  
Sheung Wan, Hong Kong



- 
- [11] 1915231.7  
[15] 12-12-2019  
[30] 13-06-2019 / AU / 201913296  
[51] Cl. 24-02  
[54] 鼻的擴張器  
Nasal dilator device  
[73] ASAP BreatheAssist Pty Ltd  
Suite 1, 1233 High Street,  
Armadale, VIC 3143,  
Australia  
[74] Wilkinson & Grist  
6th Floor, Prince's Building,  
Chater Road,  
Hong Kong



---

[11] 1915232.9

[15] 13-12-2019

[30] 20-06-2019 / US / 29/695,669

[51] Cl. 3-01

[54] 用於電子通信設備的無線電池殼體

Wireless battery case for electronic communication device

[73] Spigen Korea Co., Ltd.

446, Bongeunsa-Ro,

Gangnam-Gu, Seoul,

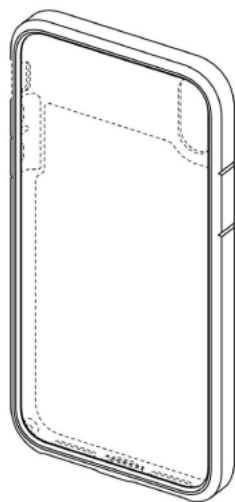
Korea, Republic of

[74] China Patent Agent (Hong Kong) Limited

22/F, Great Eagle Centre,

23 Harbour Road,

Wanchai, Hong Kong



---

[11] 1915233.1

[15] 13-12-2019

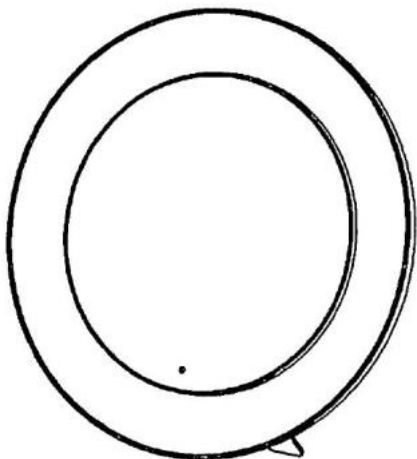
[51] Cl. 10-01



[54] 發光二極管變色的掛牆或座枱的鐘  
LED wall clock / desk clock with color changing

[73] Nexus Industrial Design Ltd.  
香港干諾道西 141 號  
保柏中心 20 樓

[74] Nexus Industrial Design Ltd.  
香港干諾道西 141 號  
保柏中心 20 樓



---

[11] 1915236.8

[15] 13-12-2019

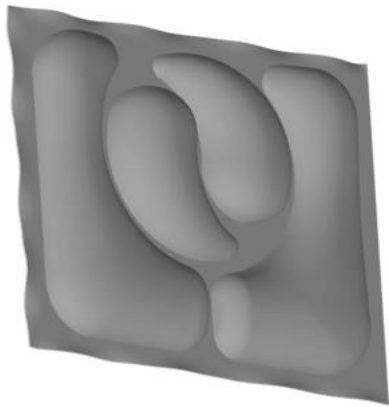
[30] 14-10-2019 / CN / 201930558539.2

[51] Cl. 7-05

[54] 洗衣凝珠  
Laundry detergent capsule

[73] 威萊(香港)有限公司  
Whealthfields (Hong Kong) Limited  
香港新界沙田  
安耀街 3 號  
匯達大廈 2606-10

[74] 精英知識產權服務有限公司  
香港九龍  
彌敦道 695 號  
永如大廈 12 字樓



---

[11] 1915237.0

[15] 13-12-2019

[51] Cl. 21-01

[54] 玩具扭蛋猫

Toy capsule cat

[73] Chow Yat Lap

Flat A, 28/F, Block 18,  
Richland Gardens,  
Kowloon Bay, Kowloon,  
Hong Kong

[74] Benny Kong & Tsai

Unit 19B, Overseas Trust Bank Building,  
No. 160 Gloucester Road,  
Wanchai, Hong Kong



---

[11] 1915239.4

[15] 16-12-2019

[30] 31-07-2019 / CN / 201930413915.9

[51] Cl. 14-99

[54] 手寫筆

Electronic stylus pen

[73] 北京小米移動軟體有限公司

BEIJING XIAOMI MOBILE SOFTWARE CO., LTD.

No.018, Floor 8, Building 6

Yard 33, Middle Xierqi Road, Haidian District, Beijing 100085,  
China

[74] China Patent Agent (Hong Kong) Limited

22/F, Great Eagle Centre,

23 Harbour Road,

Wanchai, Hong Kong



---

[11] 1915241.8M001

[15] 16-12-2019

[30] 16-09-2019 / EU / 006880613-0003

[51] Cl. 9-03

[54] 儲物盒

Storage box

[73] Flashbay Electronics Hong Kong Ltd

Unit B, 29/F Morrison Plaza,

9 Morrison Hill Road,

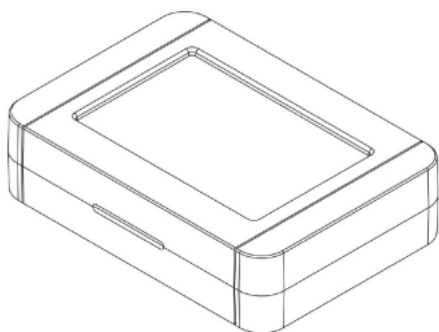
Hong Kong

[74] Accolade Ip Limited

10/F, Fu Fai Comm. Ctr.,

27 Hillier Street,

Sheung Wan, Hong Kong



---

[11] 1915241.8M002

[15] 16-12-2019

[30] 16-09-2019 / EU / 006880613-0002

[51] Cl. 9-03

[54] 儲物盒

Storage box

[73] Flashbay Electronics Hong Kong Ltd

Unit B, 29/F Morrison Plaza,

9 Morrison Hill Road,

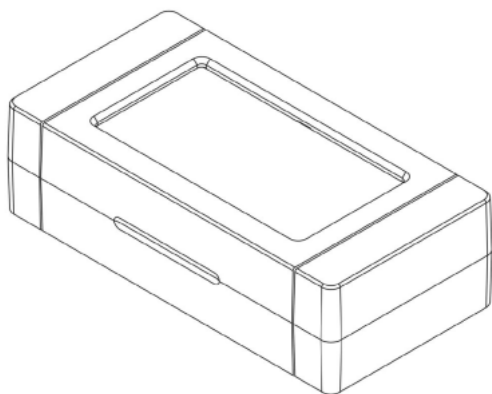
Hong Kong

[74] Accolade Ip Limited

10/F, Fu Fai Comm. Ctr.,

27 Hillier Street,

Sheung Wan, Hong Kong



---

[11] 1915241.8M003

[15] 16-12-2019

[30] 16-09-2019 / EU / 006880613-0001

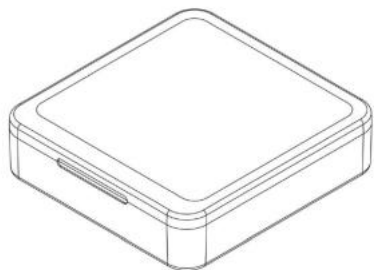
[51] Cl. 9-03

[54] 儲物盒

Storage box

[73] Flashbay Electronics Hong Kong Ltd  
Unit B, 29/F Morrison Plaza,  
9 Morrison Hill Road,  
Hong Kong

[74] Accolade Ip Limited  
10/F, Fu Fai Comm. Ctr.,  
27 Hillier Street,  
Sheung Wan, Hong Kong



---

[11] 1915242.0

[15] 16-12-2019

[30] 24-10-2019 / EU / 007094115-0001

[51] Cl. 7-01

[54] 飲品杯  
Drinking cup

[73] Flashbay Electronics Hong Kong Ltd  
Unit B, 29/F Morrison Plaza,  
9 Morrison Hill Road,  
Hong Kong

[74] Accolade Ip Limited  
10/F, Fu Fai Comm. Ctr.,  
27 Hillier Street,  
Sheung Wan, Hong Kong



[11] 1915243.2M001

[15] 16-12-2019

[51] Cl. 13-03

[54] 排插

Power strip

[73] 珠海市利合科技有限公司

中國內地

珠海市橫琴新區寶華路

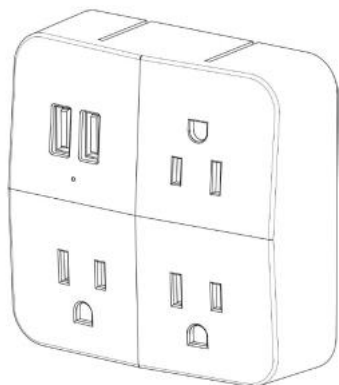
6號105室-5252

[74] 卓遠知識產權有限公司

香港上環

禧利街27號

富輝商業中心10樓



---

[11] 1915243.2M002

[15] 16-12-2019

[51] Cl. 13-03

[54] 牆插

Wall socket

[73] 珠海市利合科技有限公司

中國內地

珠海市橫琴新區寶華路

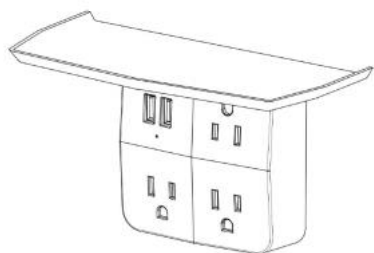
6號105室-5252

[74] 卓遠知識產權有限公司

香港上環

禧利街27號

富輝商業中心10樓



---

[11] 1915244.4

[15] 16-12-2019

[30] 20-06-2019 / CN / 201930320769.5

[51] Cl. 14-01

[54] 降噪項圈藍牙耳機

Noise-canceling collar bluetooth earphone

[73] 北京小米移動軟件有限公司

Beijing Xiaomi Mobile Software Co., Ltd.

中國內地

北京市海澱區西二旗中路 33 號院

6 號樓 8 層 018 號

[74] 隆天專利商標代理有限公司

香港九龍

青山道 485 號

九龍廣場 10 樓 11 室



---

[11] 1915245.7

[15] 17-12-2019

[30] 24-06-2019 / IN / 318993-001

[51] Cl. 31-00

[54] 濕研磨機

Wet grinder

[73] Preethi Kitchen Appliances Private Limited

Raheja Platinum, Sag Baug Road,

Off Andheri Kurla Road,

Andheri East, Mumbai,

Maharashtra 400 059, India

[74] Wilkinson & Grist

6th Floor, Prince's Building,

Chater Road,

Hong Kong



---

[11] 1915246.9

[15] 17-12-2019

[51] Cl. 9-05

[54] 包裝用袋

Packaging bag

[73] Kracie Foods, Ltd.

20-20, Kaigan 3-chome, Minato-ku,

Tokyo 108-8080,

Japan

[74] Union Patent Service Centre

Units E-F, 20th Floor, Neich Tower,

128 Gloucester Road,

Hong Kong





[11] 1915247.1

[15] 17-12-2019

[51] Cl. 9-05

[54] 包裝用袋  
Packaging bag

[73] Kracie Foods, Ltd.  
20-20, Kaigan 3-chome, Minato-ku,  
Tokyo 108-8080,  
Japan

[74] Union Patent Service Centre  
Units E-F, 20th Floor, Neich Tower,  
128 Gloucester Road,  
Hong Kong



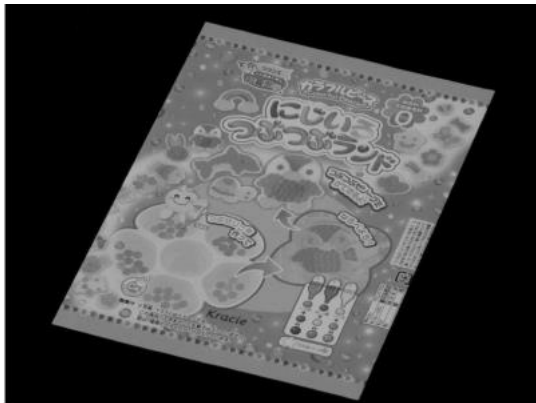
[11] 1915248.3

[15] 17-12-2019

[51] Cl. 9-05

[54] 包裝用袋  
Packaging bag

- [73] Kracie Foods, Ltd.  
20-20, Kaigan 3-chome, Minato-ku,  
Tokyo 108-8080,  
Japan
- [74] Union Patent Service Centre  
Units E-F, 20th Floor, Neich Tower,  
128 Gloucester Road,  
Hong Kong



- 
- [11] 1915249.5
- [15] 17-12-2019
- [51] Cl. 9-05
- [54] 包裝用袋  
Packaging bag
- [73] Kracie Foods, Ltd.  
20-20, Kaigan 3-chome, Minato-ku,  
Tokyo 108-8080,  
Japan
- [74] Union Patent Service Centre  
Units E-F, 20th Floor, Neich Tower,  
128 Gloucester Road,  
Hong Kong



[11] 1915250.7

[15] 17-12-2019

[51] Cl. 9-05

[54] 包裝用袋

Packaging bag

[73] Kracie Foods, Ltd.

20-20, Kaigan 3-chome, Minato-ku,

Tokyo 108-8080,

Japan

[74] Union Patent Service Centre

Units E-F, 20th Floor, Neich Tower,

128 Gloucester Road,

Hong Kong



---

[11] 1915251.9

[15] 17-12-2019

[51] Cl. 9-05

[54] 包裝用袋

Packaging bag

[73] Kracie Foods, Ltd.

20-20, Kaigan 3-chome, Minato-ku,

Tokyo 108-8080,

Japan

[74] Union Patent Service Centre

Units E-F, 20th Floor, Neich Tower,

128 Gloucester Road,

Hong Kong



---

[11] 1915252.1

[15] 17-12-2019

[51] Cl. 9-05

[54] 包裝用袋  
Packaging bag

[73] Kracie Foods, Ltd.  
20-20, Kaigan 3-chome, Minato-ku,  
Tokyo 108-8080,  
Japan

[74] Union Patent Service Centre  
Units E-F, 20th Floor, Neich Tower,  
128 Gloucester Road,  
Hong Kong



---

[11] 1915255.8

[15] 17-12-2019

[30] 17-06-2019 / US / 29/695,200

[51] Cl. 27-07

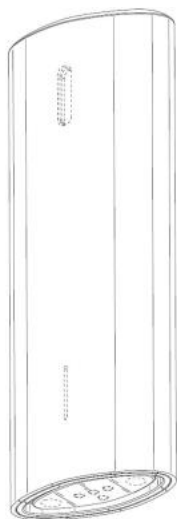
[54] 氣霧劑遞送裝置動力裝置  
Aerosol delivery device power unit

[73] 萊戰略控股公司

Rai Strategic Holdings, Inc.  
401 North Main Street,  
Winston-Salem, NC 27101,  
United States

[74] Shanghai Intellectual Property Office

Unit F, 20th Floor, Neich Tower,  
128 Gloucester Road,  
Hong Kong



---

[11] 1915258.4M001

[15] 17-12-2019

[30] 21-06-2019 / CN / 201930324778.1

[51] C1. 13-03

[54] 開關

Switch

[73] SCHNEIDER ELECTRIC (AUSTRALIA) PTY LTD

78 Waterloo Road,

Macquarie Park,

Nsw 2113, Australia

[74] WENPING PATENT & TRADE MARK AGENT LIMITED

1701 Tung Wai Commercial Building, 111 Gloucester Road,

Hong Kong



---

[11] 1915258.4M002

[15] 17-12-2019

[30] 21-06-2019 / CN / 201930324778.1

[51] Cl. 13-03

[54] 開關  
Switch

[73] Schneider Electric (Australia) PTY Ltd  
78 Waterloo Road,  
Macquarie Park,  
Nsw 2113, Australia

[74] WENPING PATENT & TRADE MARK AGENT LIMITED  
1701 Tung Wai Commercial Building, 111 Gloucester Road,  
Hong Kong



[11] 1915258.4M003

[15] 17-12-2019

[30] 21-06-2019 / CN / 201930324778.1

[51] Cl. 13-03

[54] 開關

Switch

[73] Schneider Electric (Australia) PTY Ltd

78 Waterloo Road,

Macquarie Park,

Nsw 2113, Australia

[74] WENPING PATENT & TRADE MARK AGENT LIMITED

1701 Tung Wai Commercial Building, 111 Gloucester Road,

Hong Kong



---

[11] 1915258.4M004

[15] 17-12-2019

[30] 21-06-2019 / CN / 201930324778.1

[51] Cl. 13-03

[54] 開關

Switch

[73] Schneider Electric (Australia) PTY Ltd

78 Waterloo Road,

Macquarie Park,

Nsw 2113, Australia

[74] WENPING PATENT & TRADE MARK AGENT LIMITED

1701 Tung Wai Commercial Building, 111 Gloucester Road,

Hong Kong



---

[11] 1915259.6M001

[15] 17-12-2019

[30] 14-11-2019 / EU / 007238118-0005

[51] Cl. 9-01

[54] 瓶子

Bottle

[73] Flashbay Electronics Hong Kong Ltd  
Rm A, 26/F, Loong Wan Building,  
8 North Point Road, North Point,  
Hong Kong

[74] Accolade Ip Limited  
10/F, Fu Fai Comm. Ctr.,  
27 Hillier Street, Sheung Wan,  
Hong Kong



---

[11] 1915259.6M002

[15] 17-12-2019



[30] 14-11-2019 / EU / 007238118-0006

[51] Cl. 9-01

[54] 瓶子

Bottle

[73] Flashbay Electronics Hong Kong Ltd

Rm A, 26/F, Loong Wan Building,  
8 North Point Road, North Point,  
Hong Kong

[74] Accolade Ip Limited

10/F, Fu Fai Comm. Ctr.,  
27 Hillier Street, Sheung Wan,  
Hong Kong



---

[11] 1915259.6M003

[15] 17-12-2019

[30] 15-11-2019 / EU / 007238118-0001

[51] Cl. 9-07

[54] 瓶蓋

Bottle lid

[73] Flashbay Electronics Hong Kong Ltd

Rm A, 26/F, Loong Wan Building,  
8 North Point Road, North Point,  
Hong Kong

[74] Accolade Ip Limited

10/F, Fu Fai Comm. Ctr.,  
27 Hillier Street, Sheung Wan,  
Hong Kong



---

[11] 1915259.6M004

[15] 17-12-2019

[30] 14-11-2019 / EU / 007238118-0002

[51] Cl. 9-07

[54] 瓶蓋

Bottle lid

[73] Flashbay Electronics Hong Kong Ltd

Rm A, 26/F, Loong Wan Building,

8 North Point Road, North Point,

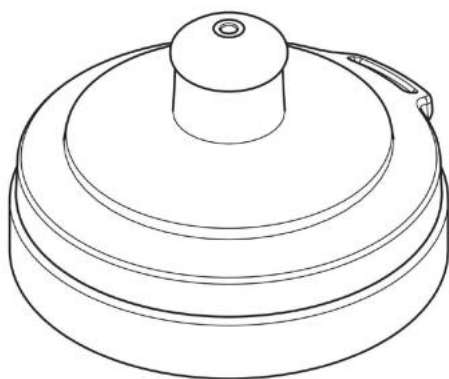
Hong Kong

[74] Accolade Ip Limited

10/F, Fu Fai Comm. Ctr.,

27 Hillier Street, Sheung Wan,

Hong Kong



---

[11] 1915259.6M005

[15] 17-12-2019

[30] 14-11-2019 / EU / 007238118-0003

[51] Cl. 9-07

[54] 瓶蓋

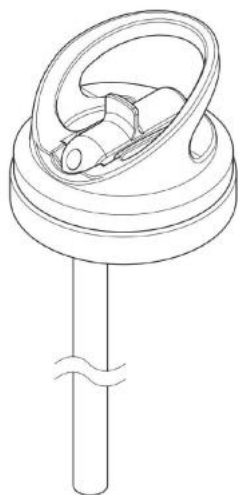
Bottle lid

[73] Flashbay Electronics Hong Kong Ltd

Rm A, 26/F, Loong Wan Building,  
8 North Point Road, North Point,  
Hong Kong

[74] Accolade Ip Limited

10/F, Fu Fai Comm. Ctr.,  
27 Hillier Street, Sheung Wan,  
Hong Kong



---

[11] 1915259.6M006

[15] 17-12-2019

[30] 14-11-2019 / EU / 007244298-0001

[51] Cl. 9-01

[54] 瓶子

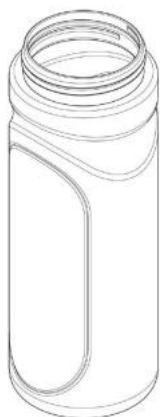
Bottle

[73] Flashbay Electronics Hong Kong Ltd

Rm A, 26/F, Loong Wan Building,  
8 North Point Road, North Point,  
Hong Kong

[74] Accolade Ip Limited

10/F, Fu Fai Comm. Ctr.,  
27 Hillier Street, Sheung Wan,  
Hong Kong



---

[11] 1915260.8

[15] 17-12-2019

[51] Cl. 9-03

[54] 包裝盒

Packaging box

[73] 開闊文娛有限公司

Broaden Leisure Outlets Company Limited

7/F, Fuk Chiu Factory Building,

20 Bute Street, Mong Kok, Kl,

Hong Kong

[74] Reg Easy Intellectual Property Co., Limited

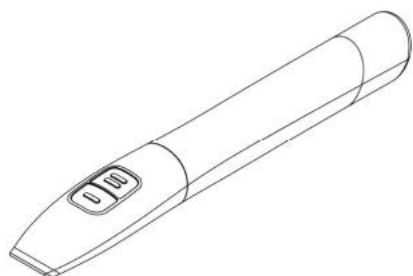
14/F, China Hong Kong Tower,

8 Hennessy Road,

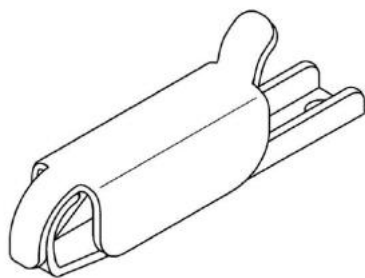
Wan Chai, Hong Kong



- [11] 1915261.0  
[15] 18-12-2019  
[30] 18-06-2019 / EU / 006583902-0001  
[51] C1. 24-01  
[54] 熱療儀  
Apparatus for thermotherapy  
[73] Dermapharm AG  
Lil-Dagover-Ring 7,  
82031 Grünwald,  
Germany  
[74] China Patent Agent (Hong Kong) Limited  
22/F, Great Eagle Centre,  
23 Harbour Road,  
Wanchai, Hong Kong



- 
- [11] 1915262.2M001  
[15] 18-12-2019  
[30] 19-06-2019 / JP / 013561 of 2019  
[51] C1. 11-01  
[54] 珠寶夾扣  
Jewelry clasps  
[73] Crossfor Co., Ltd.  
7-11-4 Kokubo, Kofu-Shi,  
Yamanashi, 400-0043,  
Japan  
[74] China Patent Agent (Hong Kong) Limited  
22/F, Great Eagle Centre,  
23 Harbour Road,  
Wanchai, Hong Kong



---

[11] 1915262.2M002

[15] 18-12-2019

[30] 17-09-2019 / JP / 020794 of 2019

[51] Cl. 11-01

[54] 珠寶夾扣

Jewelry clasps

[73] Crossfor Co., Ltd.

7-11-4 Kokubo, Kofu-Shi,

Yamanashi, 400-0043,

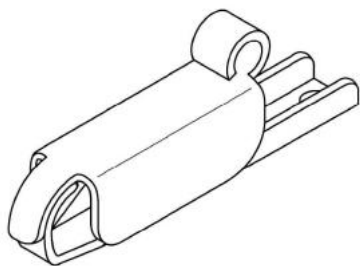
Japan

[74] China Patent Agent (Hong Kong) Limited

22/F, Great Eagle Centre,

23 Harbour Road,

Wanchai, Hong Kong



---

[11] 1915263.4

[15] 18-12-2019

[30] 28-06-2019 / JP / 014613 of 2019

[51] Cl. 6-01

[54] 嬰兒椅

Infant chair

[73] 康貝株式會社

Combi corporation

6-7, Motoasakusa 2-chome,

Taito-ku, Tokyo 111-0041,  
Japan

- [74] Wilkinson & Grist  
6th Floor, Prince's Building,  
Chater Road,  
Hong Kong



- 
- [11] 1915264.6

- [15] 18-12-2019

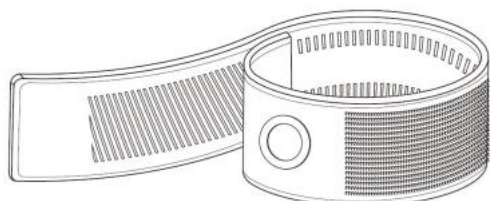
- [30] 19-08-2019 / CN / 201930450861.3  
19-08-2019 / US / 29/702,323

- [51] Cl. 9-06

- [54] 瓶帶  
Bottle strap

- [73] 心心創意有限公司  
Sim Design Limited  
12/F, Yardley Commercial Building,  
3 Connaught Road West,  
Hong Kong

- [74] WENPING PATENT & TRADE MARK AGENT LIMITED  
1701 Tung Wai Commercial Building, 111 Gloucester Road,  
Hong Kong

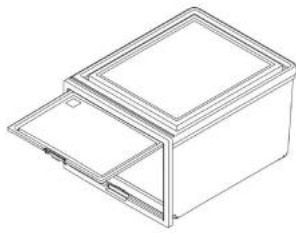


- [11] 1915265.9  
[15] 18-12-2019  
[30] 12-07-2019 / TW / 108304216  
[51] Cl. 11-02  
[54] 蟾蜍造型擺飾  
Toad decoration  
[73] 曉創意股份有限公司  
台灣台北市松山區  
八德路 3 段 12 巷 61 號 1 樓  
[74] 天標知識產權代理有限公司  
香港九龍尖沙咀  
加連威老道 14 號  
加連威大廈 4 樓 A 座



- 
- [11] 1915267.3M001  
[15] 18-12-2019  
[30] 20-06-2019 / JP / 013660 of 2019  
[51] Cl. 6-04  
[54] 儲物盒  
Storage box  
[73] Iris Ohyama Inc.  
2-12-1, Itsutsubashi, Aoba-ku,  
Sendai-shi, Miyagi, 980-8510,  
Japan  
[74] Emily Yip & Co Limited  
1st Floor, Kingsfield Centre  
18 Shell Street, Fortress Hill  
HONG KONG





- 
- [11] 1915267.3M002  
[15] 18-12-2019  
[30] 09-08-2019 / JP / 017961 of 2019  
[51] Cl. 6-04  
[54] 櫃子  
Chest  
[73] Iris Ohyama Inc.  
2-12-1, Itsutsubashi, Aoba-ku,  
Sendai-shi, Miyagi, 980-8510,  
Japan  
[74] Emily Yip & Co Limited  
1st Floor, Kingsfield Centre  
18 Shell Street, Fortress Hill  
HONG KONG



- 
- [11] 1915268.5  
[15] 18-12-2019  
[30] 19-06-2019 / US / 29/695,480  
[51] Cl. 23-06  
[54] 坐浴盆噴霧器  
Bidet spray  
[73] Sonny Inc.  
246 15th Street, Santa Monica,

California 90402,  
United States

[74] Spruson & Ferguson (Hong Kong) Limited  
5001 Hopewell Centre,  
183 Queen's Road East,  
Wan Chai, Hong Kong



---

[11] 1915270.9

[15] 18-12-2019

[30] 18-06-2019 / FR / 2019-2793

[51] Cl. 3-01

[54] 袋  
Bag

[73] Louis Vuitton Malletier  
2 rue du Pont-Neuf,  
75001 Paris,  
France

[74] Baker & McKenzie  
14th Floor, One Taikoo Place,  
979 King's Road,  
Quarry Bay, Hong Kong



---

[11] 1915271.1

[15] 18-12-2019

[30] 18-06-2019 / FR / 2019-2798

[51] Cl. 3-01

[54] 袋

Bag

[73] Louis Vuitton Malletier

2 rue du Pont-Neuf,

75001 Paris,

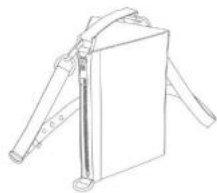
France

[74] Baker & McKenzie

14th Floor, One Taikoo Place,

979 King's Road,

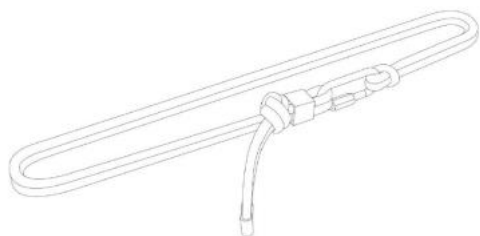
Quarry Bay, Hong Kong



---

[11] 1915273.5

- [15] 18-12-2019  
[30] 18-06-2019 / FR / 2019-2795  
[51] Cl. 2-07  
[54] 腰帶  
Belt  
[73] Louis Vuitton Malletier  
2 rue du Pont-Neuf,  
75001 Paris,  
France  
[74] Baker & McKenzie  
14th Floor, One Taikoo Place,  
979 King's Road,  
Quarry Bay, Hong Kong



- 
- [11] 1915275.0  
[15] 19-12-2019  
[30] 19-06-2019 / EU / 006586160-0001  
[51] Cl. 3-01  
[54] 袋  
Bag  
[73] Louis Vuitton Malletier  
2 rue du Pont-Neuf,  
75001 Paris,  
France  
[74] Baker & McKenzie  
14th Floor, One Taikoo Place,  
979 King's Road,  
Quarry Bay, Hong Kong



---

[11] 1915278.6

[15] 19-12-2019

[30] 19-06-2019 / EU / 006584496-0001

[51] Cl. 7-05

[54] 絞乾桶踏板

Pedal for bucket with wringer

[73] Carl Freudenberg KG

Hoehnerweg 2-4,

69469 Weinheim,

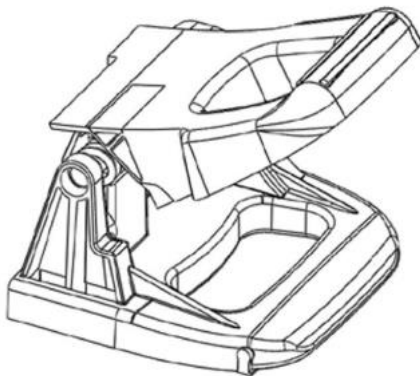
Germany

[74] Unitalen Attorneys at Law Limited

Rm 1201, 12/F, Golden Era Plaza,

39-55 Sai Yee St, Mongkok Kln,

Hong Kong



---

[11] 1915279.8

[15] 19-12-2019

[30] 24-06-2019 / US / 29/695,949

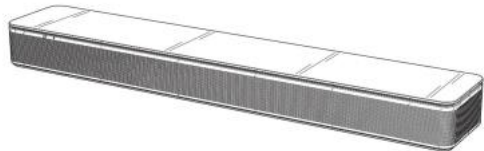
[51] Cl. 14-01

[54] 揚聲器

Soundbar

[73] Bose Corporation  
The Mountain, MS 3B1,  
Framingham, Massachusetts 01701-9168,  
United States

[74] WENPING PATENT & TRADE MARK AGENT LIMITED  
1701 Tung Wai Commercial Building, 111 Gloucester Road,  
Hong Kong



---

[11] 1915280.0

[15] 19-12-2019

[51] Cl. 4-02

[54] 旅行牙刷  
Travel toothbrush

[73] swiss shine beauty AG  
Sihlbruggstrasse 109,  
6340 Baar,  
Switzerland

[74] Vivien Chan & Co.  
32/F, Harbour Centre,  
25 Harbour Road,  
Wanchai, Hong Kong



---

[11] 1915281.2

[15] 19-12-2019

[51] Cl. 4-02

[54] 牙刷

Toothbrush

[73] swiss shine beauty AG

Sihlbruggstrasse 109,

6340 Baar,

Switzerland

[74] Vivien Chan & Co.

32/F, Harbour Centre,

25 Harbour Road,

Wanchai, Hong Kong



---

[11] 1915283.6M001

[15] 20-12-2019

[30] 21-06-2019 / US / 29/695,817

[51] Cl. 20-02

[54] 產品夾持器

Product retainer

[73] 蘋果公司

Apple Inc.

One Apple Park Way, Cupertino,

California 95014,

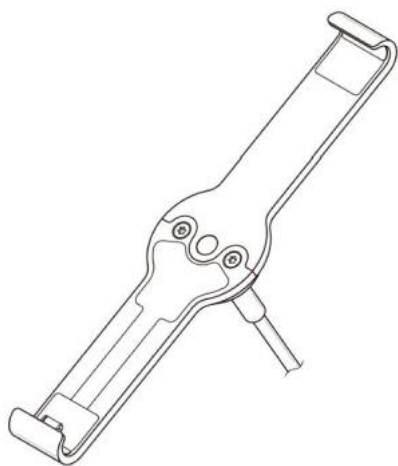
United States

[74] CLT Patent & Trademark (H.K.) Limited

Unit 09, 34/F., Office Tower, Convention Plaza,

No. 1 Harbour Road,

Wanchai, Hong Kong



---

[11] 1915283.6M002

[15] 20-12-2019

[30] 21-06-2019 / US / 29/695,817

[51] Cl. 20-02

[54] 產品夾持器

Product retainer

[73] 蘋果公司

Apple Inc.

One Apple Park Way, Cupertino,

California 95014,

United States

[74] CLT Patent & Trademark (H.K.) Limited

Unit 09, 34/F., Office Tower, Convention Plaza,

No. 1 Harbour Road,

Wanchai, Hong Kong

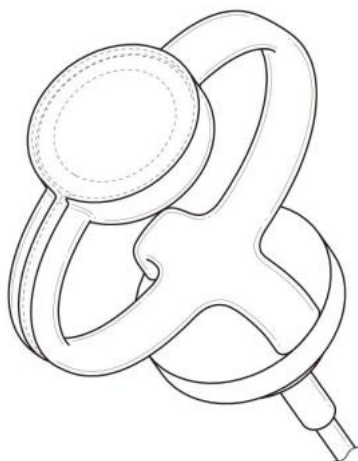


---

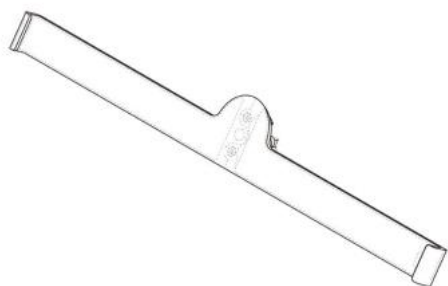
[11] 1915283.6M003



- [15] 20-12-2019
- [30] 21-06-2019 / US / 29/695,817
- [51] Cl. 20-02
- [54] 產品夾持器  
Product retainer
- [73] 蘋果公司  
Apple Inc.  
One Apple Park Way, Cupertino,  
California 95014,  
United States
- [74] CLT Patent & Trademark (H.K.) Limited  
Unit 09, 34/F., Office Tower, Convention Plaza,  
No. 1 Harbour Road,  
Wanchai, Hong Kong



- 
- [11] 1915283.6M004
- [15] 20-12-2019
- [30] 21-06-2019 / US / 29/695,817
- [51] Cl. 20-02
- [54] 產品夾持器  
Product retainer
- [73] 蘋果公司  
Apple Inc.  
One Apple Park Way, Cupertino,  
California 95014,  
United States
- [74] CLT Patent & Trademark (H.K.) Limited  
Unit 09, 34/F., Office Tower, Convention Plaza,  
No. 1 Harbour Road,  
Wanchai, Hong Kong



---

[11] 1915283.6M005

[15] 20-12-2019

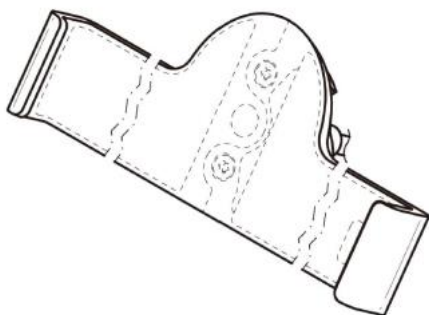
[30] 21-06-2019 / US / 29/695,817

[51] Cl. 20-02

[54] 產品夾持器  
Product retainer

[73] 蘋果公司  
Apple Inc.  
One Apple Park Way, Cupertino,  
California 95014,  
United States

[74] CLT Patent & Trademark (H.K.) Limited  
Unit 09, 34/F., Office Tower, Convention Plaza,  
No. 1 Harbour Road,  
Wanchai, Hong Kong



---

[11] 1915283.6M006

[15] 20-12-2019

[30] 21-06-2019 / US / 29/695,817

[51] Cl. 20-02

[54] 夾持器主體

Retainer body

[73] 蘋果公司

Apple Inc.

One Apple Park Way, Cupertino,

California 95014,

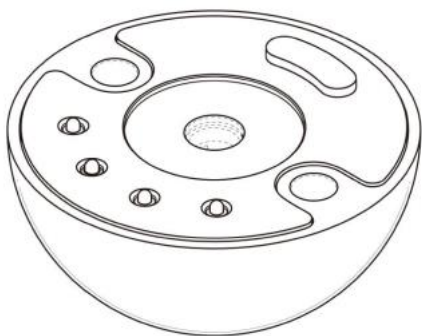
United States

[74] CLT Patent & Trademark (H.K.) Limited

Unit 09, 34/F., Office Tower, Convention Plaza,

No. 1 Harbour Road,

Wanchai, Hong Kong



---

[11] 1915285.1

[15] 20-12-2019

[51] Cl. 23-04

[54] 香薰機

Aroma diffuser

[73] 盛開蓮花有限公司

Bloomy Lotus Ltd

Unit 4711, 47/F., The Center,

99 Queen's Road Central,

Central, Hong Kong

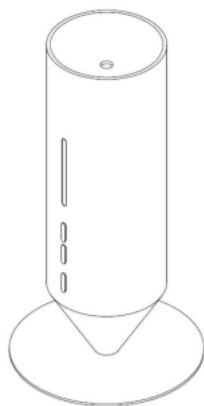
[74] Federation of Hong Kong Industries

31/F, Billion Plaza,

8 Cheung Yue Street,

Cheung Sha Wan, Kowloon,

Hong Kong



---

[11] 1915286.3

[15] 20-12-2019

[51] Cl. 23-04

[54] 香薰機

Aroma diffuser

[73] 盛開蓮花有限公司

Bloomy Lotus Ltd

Unit 4711, 47/F., The Center,

99 Queen's Road Central,

Central, Hong Kong

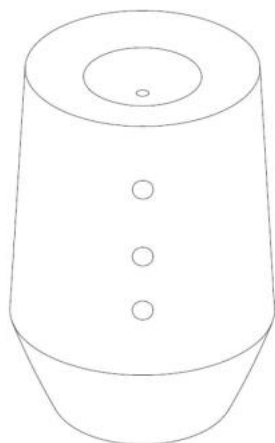
[74] Federation of Hong Kong Industries

31/F, Billion Plaza,

8 Cheung Yue Street,

Cheung Sha Wan, Kowloon,

Hong Kong



---

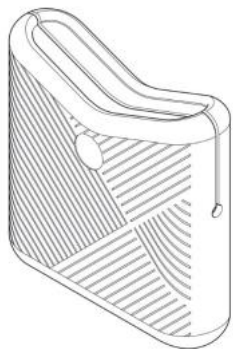
[11] 1915288.7

[15] 20-12-2019

- [30] 28-06-2019 / AM, BA, GE, MK, MD, ME, NO, RU, SG, CH, TN, TR,  
UA, GB, EU, AL / DM/202 800
- [51] Cl. 10-07
- [54] 錶殼  
Watch case
- [73] Tissot SA (Tissot AG) (Tissot Ltd)  
Chemin des Tourelles 17,  
CH-2400 Le Locle,  
Switzerland
- [74] Spruson & Ferguson (Hong Kong) Limited  
5001 Hopewell Centre,  
183 Queen's Road East,  
Wan Chai, Hong Kong



- 
- [11] 1915289.9M001
- [15] 20-12-2019
- [30] 08-08-2019 / EU / 006691721
- [51] Cl. 3-01
- [54] 旅行套件  
Travel kits
- [73] Nicoventures Trading Limited  
Globe House, 1 Water Street,  
London, WC2R 3LA,  
United Kingdom
- [74] Barron & Young Intellectual Property Limited  
Suite 617, Lakeside 2,  
No. 10 Science Park West Avenue,  
Hong Kong Science Park, Shatin, N.T.  
Hong Kong



---

[11] 1915289.9M002

[15] 20-12-2019

[30] 08-08-2019 / EU / 006691721

[51] Cl. 3-01

[54] 旅行套件

Travel kits

[73] Nicoventures Trading Limited

Globe House, 1 Water Street,

London, WC2R 3LA,

United Kingdom

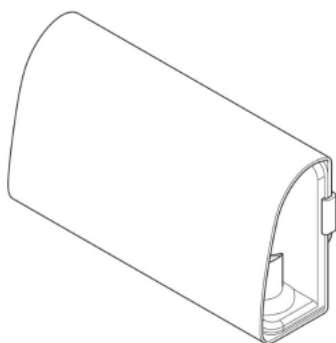
[74] Barron & Young Intellectual Property Limited

Suite 617, Lakeside 2,

No. 10 Science Park West Avenue,

Hong Kong Science Park, Shatin, N.T.

Hong Kong



---

[11] 1915289.9M003

[15] 20-12-2019

[30] 08-08-2019 / EU / 006691721

[51] Cl. 3-01

[54] 旅行套件

Travel kits

[73] Nicoventures Trading Limited

Globe House, 1 Water Street,

London, WC2R 3LA,

United Kingdom

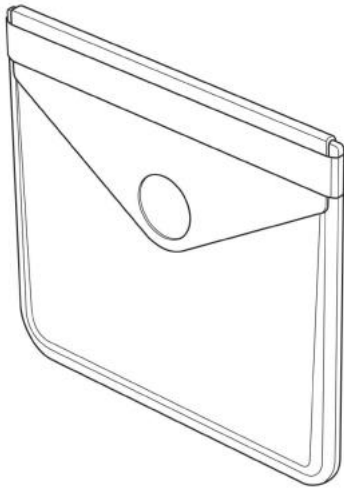
[74] Barron & Young Intellectual Property Limited

Suite 617, Lakeside 2,

No. 10 Science Park West Avenue,

Hong Kong Science Park, Shatin, N.T.

Hong Kong



---

[11] 1915289.9M004

[15] 20-12-2019

[30] 08-08-2019 / EU / 006691721

[51] Cl. 3-01

[54] 旅行套件

Travel kits

[73] Nicoventures Trading Limited

Globe House, 1 Water Street,

London, WC2R 3LA,

United Kingdom

[74] Barron & Young Intellectual Property Limited

Suite 617, Lakeside 2,

No. 10 Science Park West Avenue,

Hong Kong Science Park, Shatin, N.T.

Hong Kong



---

[11] 1915289.9M005

[15] 20-12-2019

[30] 08-08-2019 / EU / 006691721

[51] Cl. 3-01

[54] 旅行套件

Travel kits

[73] Nicoventures Trading Limited

Globe House, 1 Water Street,

London, WC2R 3LA,

United Kingdom

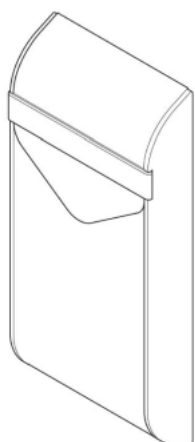
[74] Barron & Young Intellectual Property Limited

Suite 617, Lakeside 2,

No. 10 Science Park West Avenue,

Hong Kong Science Park, Shatin, N.T.

Hong Kong





[11] 1915289.9M006

[15] 20-12-2019

[30] 08-08-2019 / EU / 006691721

[51] Cl. 3-01

[54] 旅行套件

Travel kits

[73] Nicoventures Trading Limited

Globe House, 1 Water Street,

London, WC2R 3LA,

United Kingdom

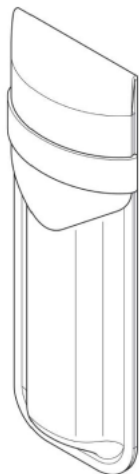
[74] Barron & Young Intellectual Property Limited

Suite 617, Lakeside 2,

No. 10 Science Park West Avenue,

Hong Kong Science Park, Shatin, N.T.

Hong Kong



[11] 1915290.1

[15] 20-12-2019

[30] 11-10-2019 / CN / 201930552937.3

[51] Cl. 13-03

[54] 插頭

Electrical plugs

[73] 東莞市佳旅電器有限公司

Dongguan Best Travel Electronics Co.,Ltd.

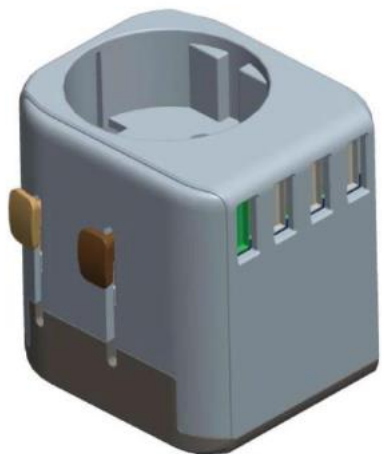
中國內地

廣東省東莞市

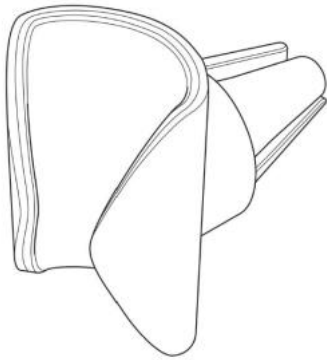
長安鎮上角社區

銅古中路 6 號 B 棟四樓 402

- [74] 旻貝國際知識產權代理有限公司  
香港新界  
白石角香港科學園  
第三期科技大道西 12 號 2 樓 230 室



- 
- [11] 1915291.3M001  
[15] 20-12-2019  
[30] 08-08-2019 / EU / 006692109  
[51] Cl. 13-02  
[54] 充電底座  
Charging cradle  
[73] Nicoventures Trading Limited  
Globe House, 1 Water Street,  
London, WC2R 3LA,  
United Kingdom  
[74] Barron & Young Intellectual Property Limited  
Suite 617, Lakeside 2  
No. 10 Science Park West Avenue,  
Hong Kong Science Park, Shatin, N.T.  
Hong Kong



---

[11] 1915291.3M002

[15] 20-12-2019

[30] 08-08-2019 / EU / 006692109

[51] Cl. 13-03

[54] 電連接件

Electric connector

[73] Nicoventures Trading Limited

Globe House, 1 Water Street,

London, WC2R 3LA,

United Kingdom

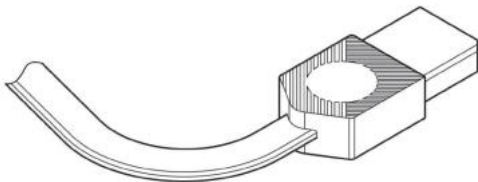
[74] Barron & Young Intellectual Property Limited

Suite 617, Lakeside 2

No. 10 Science Park West Avenue,

Hong Kong Science Park, Shatin, N.T.

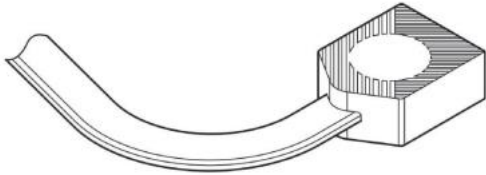
Hong Kong



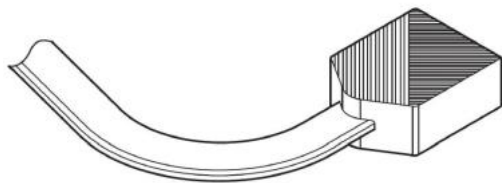
---

[11] 1915291.3M003

- [15] 20-12-2019
- [30] 08-08-2019 / EU / 006692109
- [51] Cl. 13-03
- [54] 電連接件  
Electric connector
- [73] Nicoventures Trading Limited  
Globe House, 1 Water Street,  
London, WC2R 3LA,  
United Kingdom
- [74] Barron & Young Intellectual Property Limited  
Suite 617, Lakeside 2  
No. 10 Science Park West Avenue,  
Hong Kong Science Park, Shatin, N.T.  
Hong Kong



- 
- [11] 1915291.3M004
- [15] 20-12-2019
- [30] 08-08-2019 / EU / 006692109
- [51] Cl. 13-03
- [54] 電連接件  
Electric connector
- [73] Nicoventures Trading Limited  
Globe House, 1 Water Street,  
London, WC2R 3LA,  
United Kingdom
- [74] Barron & Young Intellectual Property Limited  
Suite 617, Lakeside 2  
No. 10 Science Park West Avenue,  
Hong Kong Science Park, Shatin, N.T.  
Hong Kong



---

[11] 1915292.5M001

[15] 20-12-2019

[30] 02-07-2019 / EU / 006610242-001

[51] Cl. 14-01

[54] 聲音處理機

Audio processor

[73] Focusrite Audio Engineering Limited

Windsor House Turnpike Road,

High Wycombe,

Buckinghamshire HP12 3FX,

United Kingdom

[74] Chan, Tang & Kwok

Rooms 2503-04, 25/F.,

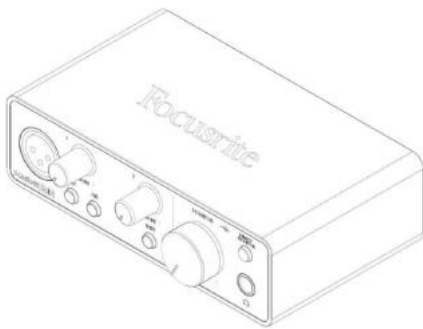
Shanghai Industrial Investment Building,

48-62 Hennessy Road,

Wanchai, Hong Kong



- [11] 1915292.5M002  
[15] 20-12-2019  
[30] 02-07-2019 / EU / 006610242-005  
[51] Cl. 14-01  
[54] 聲音處理機  
Audio processor  
[73] Focusrite Audio Engineering Limited  
Windsor House Turnpike Road,  
High Wycombe,  
Buckinghamshire HP12 3FX,  
United Kingdom  
[74] Chan, Tang & Kwok  
Rooms 2503-04, 25/F.,  
Shanghai Industrial Investment Building,  
48-62 Hennessy Road,  
Wanchai, Hong Kong



- 
- [11] 1915292.5M003  
[15] 20-12-2019  
[30] 02-07-2019 / EU / 006610242-006  
[51] Cl. 14-01  
[54] 聲音處理機  
Audio processor  
[73] Focusrite Audio Engineering Limited  
Windsor House Turnpike Road,  
High Wycombe,  
Buckinghamshire HP12 3FX,  
United Kingdom  
[74] Chan, Tang & Kwok  
Rooms 2503-04, 25/F.,  
Shanghai Industrial Investment Building,

48-62 Hennessy Road,  
Wanchai, Hong Kong



---

[11] 1915292.5M004

[15] 20-12-2019

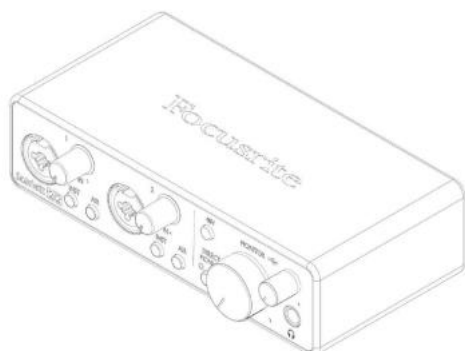
[30] 03-07-2019 / GB / 6064640  
02-07-2019 / EU / 006610242-007

[51] Cl. 14-01

[54] 聲音處理機  
Audio processor

[73] Focusrite Audio Engineering Limited  
Windsor House Turnpike Road,  
High Wycombe,  
Buckinghamshire HP12 3FX,  
United Kingdom

[74] Chan, Tang & Kwok  
Rooms 2503-04, 25/F.,  
Shanghai Industrial Investment Building,  
48-62 Hennessy Road,  
Wanchai, Hong Kong



- [11] 1915292.5M005  
[15] 20-12-2019  
[30] 02-07-2019 / EU / 006610242-008  
[51] Cl. 14-01  
[54] 聲音處理機  
Audio processor  
[73] Focusrite Audio Engineering Limited  
Windsor House Turnpike Road,  
High Wycombe,  
Buckinghamshire HP12 3FX,  
United Kingdom  
[74] Chan, Tang & Kwok  
Rooms 2503-04, 25/F.,  
Shanghai Industrial Investment Building,  
48-62 Hennessy Road,  
Wanchai, Hong Kong



- 
- [11] 1915292.5M006  
[15] 20-12-2019  
[30] 02-07-2019 / EU / 006610242-009  
[51] Cl. 14-01  
[54] 聲音處理機  
Audio processor  
[73] Focusrite Audio Engineering Limited  
Windsor House Turnpike Road,  
High Wycombe,  
Buckinghamshire HP12 3FX,  
United Kingdom  
[74] Chan, Tang & Kwok  
Rooms 2503-04, 25/F.,  
Shanghai Industrial Investment Building,  
48-62 Hennessy Road,  
Wanchai, Hong Kong





---

[11] 1915292.5M007

[15] 20-12-2019

[30] 02-07-2019 / EU / 006610242-010

[51] Cl. 14-01

[54] 聲音處理機

Audio processor

[73] Focusrite Audio Engineering Limited

Windsor House Turnpike Road,

High Wycombe,

Buckinghamshire HP12 3FX,

United Kingdom

[74] Chan, Tang & Kwok

Rooms 2503-04, 25/F.,

Shanghai Industrial Investment Building,

48-62 Hennessy Road,

Wanchai, Hong Kong



---

[11] 1915292.5M008

[15] 20-12-2019

[30] 02-07-2019 / EU / 006610242-011

[51] Cl. 14-01

- [54] 聲音處理機  
Audio processor
- [73] Focusrite Audio Engineering Limited  
Windsor House Turnpike Road,  
High Wycombe,  
Buckinghamshire HP12 3FX,  
United Kingdom
- [74] Chan, Tang & Kwok  
Rooms 2503-04, 25/F.,  
Shanghai Industrial Investment Building,  
48-62 Hennessy Road,  
Wanchai, Hong Kong



- 
- [11] 1915292.5M009
- [15] 20-12-2019
- [30] 02-07-2019 / EU / 006610242-012
- [51] Cl. 14-01
- [54] 聲音處理機  
Audio processor
- [73] Focusrite Audio Engineering Limited  
Windsor House Turnpike Road,  
High Wycombe,  
Buckinghamshire HP12 3FX,  
United Kingdom
- [74] Chan, Tang & Kwok  
Rooms 2503-04, 25/F.,  
Shanghai Industrial Investment Building,  
48-62 Hennessy Road,  
Wanchai, Hong Kong



---

[11] 1915292.5M010

[15] 20-12-2019

[30] 02-07-2019 / EU / 006610242-002

[51] Cl. 14-01

[54] 聲音處理機

Audio processor

[73] Focusrite Audio Engineering Limited

Windsor House Turnpike Road,

High Wycombe,

Buckinghamshire HP12 3FX,

United Kingdom

[74] Chan, Tang & Kwok

Rooms 2503-04, 25/F.,

Shanghai Industrial Investment Building,

48-62 Hennessy Road,

Wanchai, Hong Kong



---

[11] 1915292.5M011

[15] 20-12-2019

[30] 02-07-2019 / EU / 006610242-003

[51] Cl. 14-01

[54] 聲音處理機

Audio processor

[73] Focusrite Audio Engineering Limited

Windsor House Turnpike Road,

High Wycombe,

Buckinghamshire HP12 3FX,

United Kingdom

[74] Chan, Tang & Kwok

Rooms 2503-04, 25/F.,

Shanghai Industrial Investment Building,

48-62 Hennessy Road,

Wanchai, Hong Kong



---

[11] 1915292.5M012

[15] 20-12-2019

[30] 03-07-2019 / GB / 6064637

[51] Cl. 14-01

[54] 聲音處理機

Audio processor

[73] Focusrite Audio Engineering Limited

Windsor House Turnpike Road,

High Wycombe,

Buckinghamshire HP12 3FX,

United Kingdom

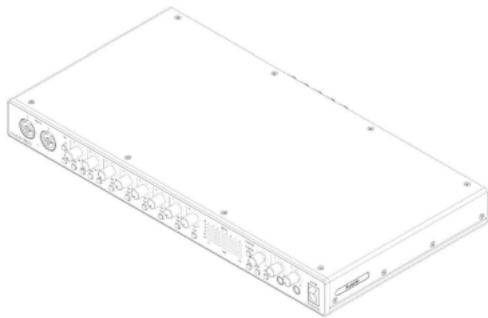
[74] Chan, Tang & Kwok

Rooms 2503-04, 25/F.,

Shanghai Industrial Investment Building,

48-62 Hennessy Road,

Wanchai, Hong Kong



---

[11] 1915293.7

[15] 20-12-2019

[30] 21-06-2019 / FR / 2019-2866

[51] Cl. 11-01

[54] 首飾

Jewellery

[73] Louis Vuitton Malletier

2 rue du Pont Neuf,

75001 Paris,

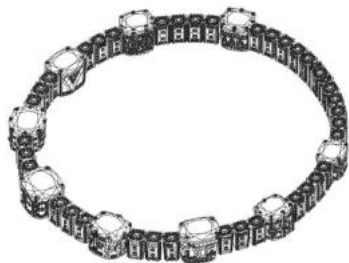
France

[74] Baker & McKenzie

14th Floor, One Taikoo Place,

979 King's Road, Quarry Bay,

Hong Kong



---

[11] 1915294.9

[15] 20-12-2019

[30] 21-06-2019 / FR / 2019-2866

[51] Cl. 11-01

[54] 首飾

Jewellery

[73] Louis Vuitton Malletier

2 rue du Pont Neuf,

75001 Paris,  
France

[74] Baker & McKenzie  
14th Floor, One Taikoo Place,  
979 King's Road, Quarry Bay,  
Hong Kong



---

[11] 1915295.2

[15] 20-12-2019

[30] 21-06-2019 / FR / 2019-2866

[51] Cl. 11-01

[54] 首飾

Jewellery

[73] Louis Vuitton Malletier

2 rue du Pont Neuf,

75001 Paris,

France

[74] Baker & McKenzie

14th Floor, One Taikoo Place,

979 King's Road, Quarry Bay,

Hong Kong



---

[11] 1915296.4

- [15] 20-12-2019  
[30] 21-06-2019 / FR / 2019-2866  
[51] Cl. 11-01  
[54] 首飾  
Jewellery  
[73] Louis Vuitton Malletier  
2 rue du Pont Neuf,  
75001 Paris,  
France  
[74] Baker & McKenzie  
14th Floor, One Taikoo Place,  
979 King's Road, Quarry Bay,  
Hong Kong



- 
- [11] 1915297.6  
[15] 20-12-2019  
[30] 21-06-2019 / FR / 2020-0209  
[51] Cl. 11-01  
[54] 用於首飾的紋飾  
Ornamentation for jewellery  
[73] Louis Vuitton Malletier  
2 rue du Pont-Neuf,  
75001 Paris,  
France  
[74] Baker & McKenzie  
14th Floor, One Taikoo Place,  
979 King's Road, Quarry Bay,  
Hong Kong







香港特別行政區政府知識產權署外觀設計註冊處

The Government of the Hong Kong Special Administrative Region

Designs Registry, Intellectual Property Department

根據註冊外觀設計條例第 28 條，下列註冊外觀設計因未繳續期費而停止有效。

各組記項按註冊外觀設計停止有效日期及註冊編號先後次序排列。

**Registered designs ceased through non-payment of renewal fees under section 28 of the Registered Designs Ordinance. Entries are listed below under their expiry dates.**

**31-03-2020 - 31-03-2020**

**31-03-2020**

1000597.7

1500804.2M003

1500804.2M004

1500804.2M005

1500804.2M006

1500804.2M008



香港特別行政區政府知識產權署外觀設計註冊處

The Government of the Hong Kong Special Administrative Region

Designs Registry, Intellectual Property Department

## 根據註冊外觀設計條例第 76 條，更正已提交文件中的錯誤

### Correction of errors in filed documents under section 76 of the Registered Designs Ordinance

任何人士現可對下列更正錯誤的請求提出反對

Request for correction of errors now open to opposition

如任何人士意欲反對下列請求，則須在本官方公報刊登是項更正請求的日期起計的兩個月內，根據註冊外觀設計規則第62(4)條，採用指明外觀設計表格第D9號提交反對通知。如在限期內沒有收到任何反對通知，處長將依本公報刊登的更正請求的內容，准許是項更正請求。

If any person wishes to oppose the following request, he shall file a notice of opposition in specified Designs Form D9 within two months from the date of advertisement in this official journal under section 62(4) of the Registered Designs Rules. If no notice of opposition is received, the request for correction will be allowed by the Registrar in the present advertised form.

請求更正外觀設計表格第D1號第03部分中申請人的姓名或名稱

Request made for correction of applicant's name in Part 03 of the Designs Form D1 filed

[21] 1915203.8M001

[71] 梁德成以準誠建材公司之名營業

LEUNG TAK SHING TRADING AS GOODWILL CONSTRUCTION MATERIAL COMPANY

[21] 1915203.8M002

[71] 梁德成以準誠建材公司之名營業

LEUNG TAK SHING TRADING AS GOODWILL CONSTRUCTION MATERIAL COMPANY



香港特別行政區政府知識產權署外觀設計註冊處

The Government of the Hong Kong Special Administrative Region

Designs Registry, Intellectual Property Department

## 根據註冊外觀設計條例第 76 條，更正已提交文件中的錯誤

### **Correction of errors in filed documents under section 76 of the Registered Designs Ordinance**

下列在22.11.2019官方公報刊登的更正錯誤的請求已在23.01.2020 獲准許

The following request for correction of error advertised in the official journal on 22.11.2019 was allowed on 23.01.2020

[21] 1913909.4M001

[55] Representations of the design

[21] 1913909.4M002

[55] Representations of the design



香港特別行政區政府知識產權署外觀設計註冊處  
The Government of the Hong Kong Special Administrative Region  
Designs Registry, Intellectual Property Department

已在官方公報刊登的外觀設計公告內的洛迦諾分類號更正如下:

**The following show the corrected Locarno Classification No. in advertisement previously published in the official journal:**

官方公報日期 Official journal date 09.04.2020

[11] 1914356.1M002

[51] 21-01

[11] 1914356.1M003

[51] 21-01

[11] 1914356.1M004

[51] 21-01

已在官方公報刊登的外觀設計公告內的優先權國家/地區/地方更正如下:

**The following show the corrected priority Country/Territory/Area in advertisement previously published in the official journal:**

官方公報日期 Official journal date 09.04.2020

[11] 1914851.1M001

[30] EU

已在官方公報刊登的外觀設計公告內的優先權國家/地區/地方更正如下:

**The following show the corrected priority Country/Territory/Area in advertisement previously published in the official journal:**

官方公報日期 Official journal date 17.04.2020

[11] 1914950.1

[30] EU