

香港知識產權公報

Hong Kong Intellectual Property Journal

2019 年 11 月 22 日

22 November 2019

目錄 Contents

根據註冊外觀設計條例第 25 條註冊的外觀設計

Designs Registered under section 25 of the Registered Designs Ordinance

按註冊編號排列

Arranged by Registration Number

根據註冊外觀設計條例(第 522 章)公布的其他公告

Other Notices Published under the Registered Designs Ordinance (Cap. 522)

根據註冊外觀設計條例第 28 條，註冊外觀設計因未繳續期費而停止有效

Registered designs ceased through non-payment of renewal fees under section 28 of the Registered Designs Ordinance

根據註冊外觀設計規則第 31 條刪除的註冊外觀設計

Registered designs removed under section 31 of the Registered Designs Rules

根據註冊外觀設計條例第 76 條，更正已提交文件中的錯誤

Correction of errors in filed documents under section 76 of the Registered Designs Ordinance

以下事項沒有記錄

No Records for the Following Matters

根據註冊外觀設計條例第 30 條放棄的外觀設計的註冊

Surrender of Registration of Design under section 30 of the Registered Designs Ordinance

根據註冊外觀設計規則第 37 條，向處長作出轉介

Reference to Registrar under section 37 of the Registered Designs Rules

根據註冊外觀設計條例第 45 條，撤銷註冊

Revocation of Registration under section 45 of the Registered Designs Ordinance

根據註冊外觀設計規則第 46 條，向法院作出轉介

Reference to Court under section 46 of the Registered Designs Rules

根據註冊外觀設計規則第 63 條對不符合規定之處作出糾正

Rectification of Irregularities under section 63 of the Registered Designs Rules

根據註冊外觀設計條例第 66 條，糾正註冊紀錄冊

Rectification of Register under section 66 of the Registered Designs Ordinance

根據註冊外觀設計條例第 67 條，更正註冊紀錄冊內的錯誤

Correction of Errors in Register under section 67 of the Registered Designs Ordinance

根據註冊外觀設計條例第 67 及 76 條，更正註冊紀錄冊內及已提交文件中的錯誤

Correction of Errors in Register and in Filed Documents under sections
67 and 76 of the Registered Designs Ordinance

勘誤

Corrigendum

註冊外觀設計公告註釋

Notes on advertisements of registration of designs

方括號表示下列資料：

Square brackets indicate the following data：

- [11] 註冊編號 Registration number / 聯合王國註冊編號 United Kingdom registration number
- [15] 註冊日期 Registration date / 當作註冊日期 Deemed registration date / 聯合王國註冊日期 United Kingdom registration date
- [17] 註冊有效期屆滿日期 Expiry date of the period of registration
- [22] 提交日期 Filing date / 當作提交日期 Deemed filing date / 聯合王國提交日期 United Kingdom filing date
- [30] 聲稱享有的優先權 (提交日期 / 巴黎公約國或世界貿易組織成員 / 申請編號) Priority claimed (filing date / Paris Convention country or WTO member / application number)
- [51] 國際外觀設計分類號 (洛迦諾分類號) International Classification of designs (Locarno Classification)
- [54] 物品 Article
- [55] 外觀設計的表述 Representation of the design
- [62] 分開前的申請編號及提交日期 Application number before division and filing date
- [66] 過往註冊的聯繫外觀設計註冊編號 / 日期 Registration No. / Date of Previous Registration for Association
- [72] 設計人 Designer

[73] 擁有人姓名和地址 Name and address of the owner

[74] 代理人 Agent / 送達地址 Address for service



香港特別行政區政府知識產權署外觀設計註冊處

The Government of the Hong Kong Special Administrative Region

Designs Registry, Intellectual Property Department

根據註冊外觀設計條例第25條註冊的外觀設計

Designs registered under section 25 of the Registered Designs Ordinance

按註冊編號排列

Arranged by Registration Number

[11] 1913048.7M001

[15] 19-02-2019

[30] 22-08-2018 / US / 29/660,826

18-12-2018 / US / 29/673,916

[51] Cl. 13-03

[54] 轉接器

Adapter

[73] Juul Labs, Inc.

560 20th Street, Building 104

San Francisco, CA 94107

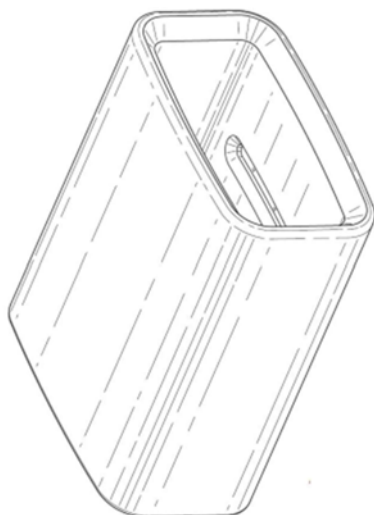
UNITED STATES OF AMERICA

[74] HONG KONG INTELLECTUAL PROPERTY AGENT LIMITED

Unit 230, 2/F, Building 12W, No. 12 Science Park West Avenue,

Phase 3, Hong Kong Science Park, Pak Shek Kok, N.T.,

HONG KONG



[11] 1913048.7M002

[15] 19-02-2019

[30] 22-08-2018 / US / 29/660,826

18-12-2018 / US / 29/673,916

[51] Cl. 13-03

[54] 轉接器

Adapter

[73] Juul Labs, Inc.

560 20th Street, Building 104

San Francisco, CA 94107

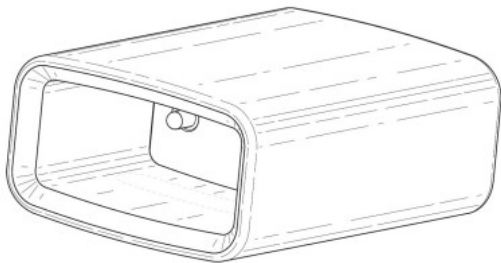
UNITED STATES OF AMERICA

[74] HONG KONG INTELLECTUAL PROPERTY AGENT LIMITED

Unit 230, 2/F, Building 12W, No. 12 Science Park West Avenue,

Phase 3, Hong Kong Science Park, Pak Shek Kok, N.T.,

HONG KONG



[11] 1913048.7M003

[15] 19-02-2019

[30] 22-08-2018 / US / 29/660,826

18-12-2018 / US / 29/673,916

[51] Cl. 13-03

[54] 轉接器

Adapter

[73] Juul Labs, Inc.

560 20th Street, Building 104

San Francisco, CA 94107

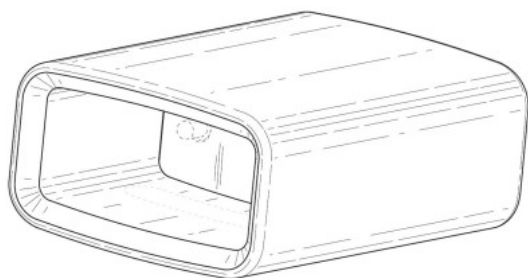
UNITED STATES OF AMERICA

[74] HONG KONG INTELLECTUAL PROPERTY AGENT LIMITED

Unit 230, 2/F, Building 12W, No. 12 Science Park West Avenue,

Phase 3, Hong Kong Science Park, Pak Shek Kok, N.T.,

HONG KONG



[11] 1913048.7M004

[15] 19-02-2019

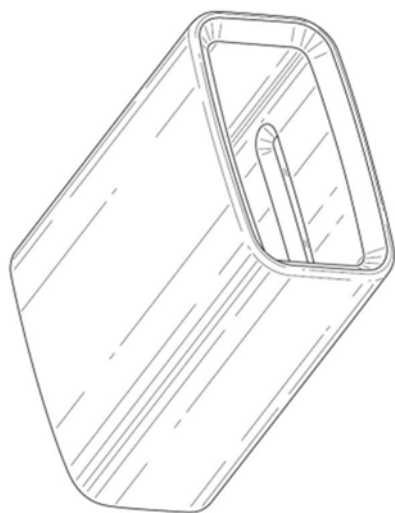
[30] 22-08-2018 / US / 29/660,826
18-12-2018 / US / 29/673,916

[51] Cl. 13-03

[54] 轉接器
Adapter

[73] Juul Labs, Inc.
560 20th Street, Building 104
San Francisco, CA 94107
UNITED STATES OF AMERICA

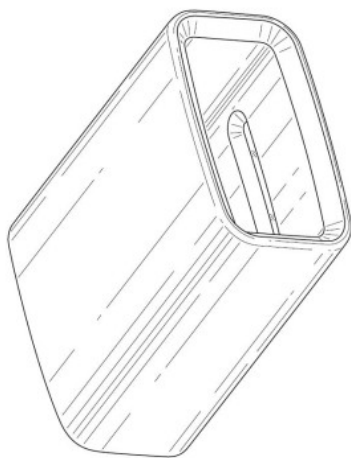
[74] HONG KONG INTELLECTUAL PROPERTY AGENT LIMITED
Unit 230, 2/F, Building 12W, No. 12 Science Park West Avenue,
Phase 3, Hong Kong Science Park, Pak Shek Kok, N.T.,
HONG KONG



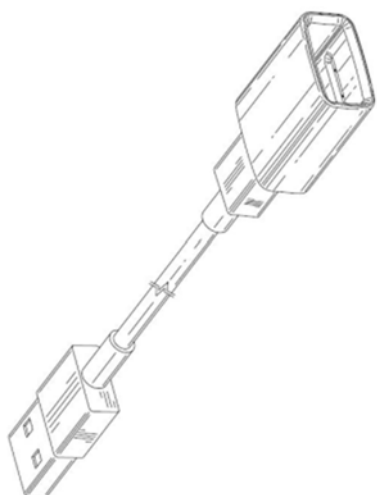
[11] 1913048.7M005

[15] 19-02-2019

- [30] 22-08-2018 / US / 29/660,826
18-12-2018 / US / 29/673,916
- [51] Cl. 13-03
- [54] 轉接器
Adapter
- [73] Juul Labs, Inc.
560 20th Street, Building 104
San Francisco, CA 94107
UNITED STATES OF AMERICA
- [74] HONG KONG INTELLECTUAL PROPERTY AGENT LIMITED
Unit 230, 2/F, Building 12W, No. 12 Science Park West Avenue,
Phase 3, Hong Kong Science Park, Pak Shek Kok, N.T.,
HONG KONG



-
- [11] 1913048.7M006
- [15] 19-02-2019
- [30] 22-08-2018 / US / 29/660,826
18-12-2018 / US / 29/673,916
- [51] Cl. 13-03
- [54] 轉接器
Adapter
- [73] Juul Labs, Inc.
560 20th Street, Building 104
San Francisco, CA 94107
UNITED STATES OF AMERICA
- [74] HONG KONG INTELLECTUAL PROPERTY AGENT LIMITED
Unit 230, 2/F, Building 12W, No. 12 Science Park West Avenue,
Phase 3, Hong Kong Science Park, Pak Shek Kok, N.T.,
HONG KONG



[11] 1913048.7M007

[15] 19-02-2019

[30] 22-08-2018 / US / 29/660,826

18-12-2018 / US / 29/673,916

[51] Cl. 13-03

[54] 轉接器

Adapter

[73] Juul Labs, Inc.

560 20th Street, Building 104

San Francisco, CA 94107

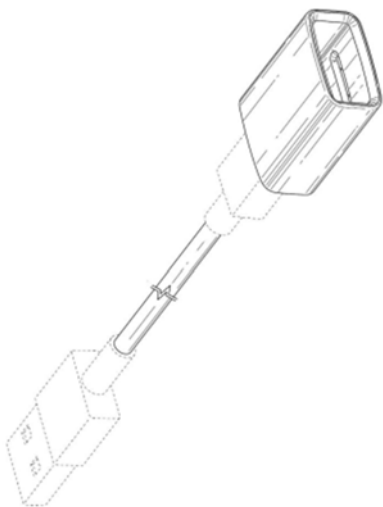
UNITED STATES OF AMERICA

[74] HONG KONG INTELLECTUAL PROPERTY AGENT LIMITED

Unit 230, 2/F, Building 12W, No. 12 Science Park West Avenue,

Phase 3, Hong Kong Science Park, Pak Shek Kok, N.T.,

HONG KONG



[11] 1913048.7M008

[15] 19-02-2019

[30] 22-08-2018 / US / 29/660,826
18-12-2018 / US / 29/673,916

[51] Cl. 13-03

[54] 轉接器

Adapter

[73] Juul Labs, Inc.

560 20th Street, Building 104

San Francisco, CA 94107

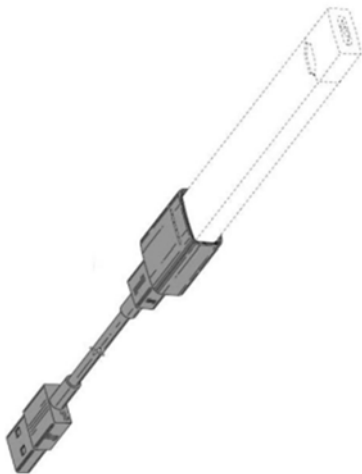
UNITED STATES OF AMERICA

[74] HONG KONG INTELLECTUAL PROPERTY AGENT LIMITED

Unit 230, 2/F, Building 12W, No. 12 Science Park West Avenue,

Phase 3, Hong Kong Science Park, Pak Shek Kok, N.T.,

HONG KONG



[11] 1913048.7M009

[15] 19-02-2019

[30] 22-08-2018 / US / 29/660,826
18-12-2018 / US / 29/673,916

[51] Cl. 13-03

[54] 轉接器

Adapter

[73] Juul Labs, Inc.

560 20th Street, Building 104

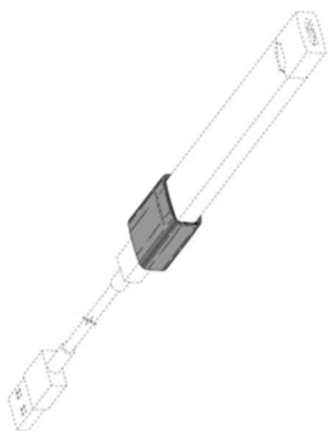
San Francisco, CA 94107

UNITED STATES OF AMERICA

[74] HONG KONG INTELLECTUAL PROPERTY AGENT LIMITED

Unit 230, 2/F, Building 12W, No. 12 Science Park West Avenue,

Phase 3, Hong Kong Science Park, Pak Shek Kok, N.T.,
HONG KONG



[11] 1913054.9

[15] 19-02-2019

[30] 25-08-2018 / JP / 意願 2018 of 018523

[51] Cl. 11-01

[54] 裝飾品用卡扣

Clasp for ornament

[73] 有限會社寶石的天使

Houseki-no-Angel Co., Ltd.

日本 日本國愛知縣名古屋

市 名東區藤見丘 1 番

地

[74] 卓遠知識產權有限公司

香港

上環禧利街 27 號

富輝商業中心 10 樓



[11] 1913055.2

[15] 20-02-2019

[51] Cl. 21-01

[54] 鴨形不倒翁

Duck shaped tumbler

[73] 得意創作有限公司

FUNDERFUL CREATIONS LIMITED

Eltee Building

3 Ning Foo Street, Chaiwan

HONG KONG

[74] FUNDERFUL CREATIONS LIMITED

4/F., Eltee Building

3 Ning Foo Street, Chai Wan

HONG KONG



[11] 1913127.5M001

[15] 04-03-2019

[30] 04-09-2018 / CH / 144181

[51] Cl. 10-07

[54] 錶殼連錶盤

Watch case with dial

[73] SEVENFRIDAY Ltd.

Staffelstrasse 10, 8045 Zurich

SWITZERLAND

[74] EDMOND YEUNG & CO

402-3, Sam Cheong Building

216-220 Des Voeux Road Central

HONG KONG



[11] 1913127.5M002

[15] 04-03-2019

[30] 04-09-2018 / CH / 144181

[51] Cl. 10-07

[54] 錶盤

Dial

[73] SEVENFRIDAY Ltd.

Staffelstrasse 10, 8045 Zurich

SWITZERLAND

[74] EDMOND YEUNG & CO

402-3, Sam Cheong Building

216-220 Des Voeux Road Central

HONG KONG



[11] 1913170.5

[15] 11-03-2019

[51] Cl. 2-03

[54] 女裝帽

Hat for female

[73] 黎錦河

LAI KAM HO

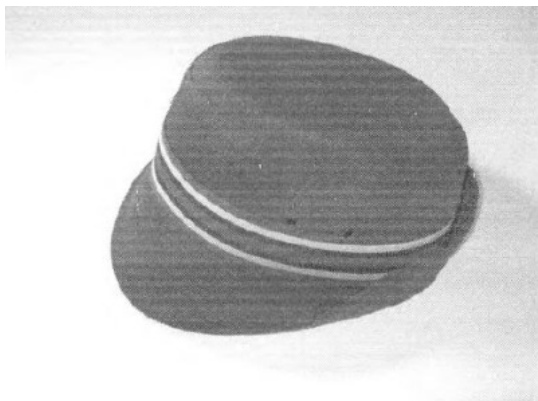
香港

堅尼地城士美非路 40 號美華大廈地下

[74] LAI KAM HO

香港

堅尼地城士美非路 40 號美華大廈地下



[11] 1913203.6

[15] 20-03-2019

[51] Cl. 20-02

[54] 可拼疊展示箱連門

Deckable Showcase with Door

[73] 吳凱俊
NG HOI CHUN
香港 九龍
觀塘
麗港城 6 座 1 樓 H 室

[74] NG HOI CHUN
香港 九龍
觀塘
麗港城 6 座 1 樓 H 室



[11] 1913208.7

[15] 15-03-2019

[30] 24-10-2018 / EU, AL, MA, NO, OM, SG, CH, TN, UA, TR / DM/103
508

[51] Cl. 10-02

[54] 手錶
Wristwatch

[73] SWATCH AG (SWATCH SA) (SWATCH LTD.)
Jakob-Stämpfli-Strasse 94, CH-2502 Biel/Bienne,
SWITZERLAND

[74] SPRUSON & FERGUSON (HONG KONG) LIMITED
5001 Hopewell Centre
183 Queen's Road East, Wan Chai
HONG KONG



[11] 1913211.3

[15] 15-03-2019

[30] 24-10-2018 / EU, AL, MA, NO, OM, SG, CH, TN, UA, TR / DM/103
498

[51] Cl. 10-02

[54] 手錶

Wristwatch

[73] SWATCH AG (SWATCH SA) (SWATCH LTD.)

Jakob-Stämpfli-Strasse 94, CH-2502 Biel/Bienne,
SWITZERLAND

[74] SPRUSON & FERGUSON (HONG KONG) LIMITED

5001 Hopewell Centre

183 Queen's Road East, Wan Chai

HONG KONG



[11] 1913212.5

[15] 15-03-2019

[30] 31-10-2018 / EU, AL, MA, NO, OM, SG, CH, TN, UA, TR / DM/103
505

[51] Cl. 10-02

[54] 手錶

Wristwatch

[73] SWATCH AG (SWATCH SA) (SWATCH LTD.)

Jakob-Stämpfli-Strasse 94, CH-2502 Biel/Bienne,
SWITZERLAND

[74] SPRUSON & FERGUSON (HONG KONG) LIMITED

5001 Hopewell Centre

183 Queen's Road East, Wan Chai

HONG KONG



[11] 1913230.3

[15] 18-03-2019

[51] Cl. 28-03

[54] 矽膠聲波潔面儀

Silicone sonic facial cleansing massager

[73] 渲美美健(深圳)科技股份有限公司

中國內地

廣東省深圳市寶安區新安街道 寶安中心區興華

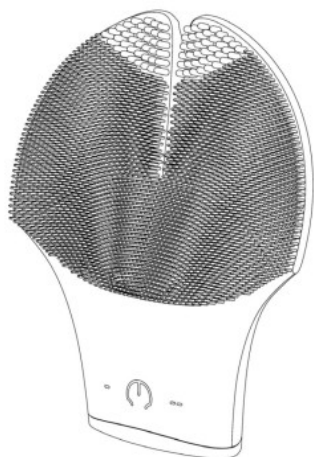
路南側榮超濱海大廈 A 座七樓

[74] 海思國際知識產權有限公司

香港

九龍旺角道 33 號

凱途發展大廈 7 樓 04 室



[11] 1913231.5

[15] 18-03-2019

[51] Cl. 28-03

[54] 矽膠潔面儀

Silicone cleansing massager

[73] 渲美美健(深圳)科技股份有限公司

中國內地

廣東省深圳市寶安區新安街道 寶安中心區興華

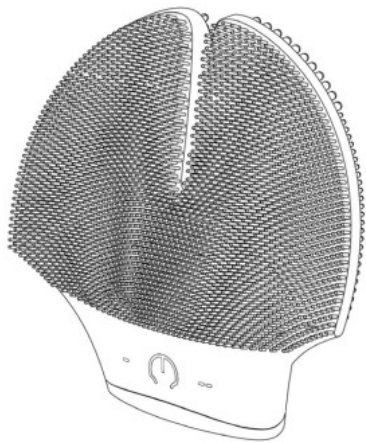
路南側榮超濱海大廈 A 座七樓

[74] 海思國際知識產權有限公司

香港

九龍旺角道 33 號

凱途發展大廈 7 樓 04 室



[11] 1913233.9M001

[15] 18-03-2019

[30] 18-09-2018 / JP / 2018 of 020255

[51] Cl. 14-02

[54] 數碼內容播放機

Digital content player

[73] SONY INTERACTIVE ENTERTAINMENT INC.

1-7-1 KONAN, MINATO-KU

TOKYO 108-0075

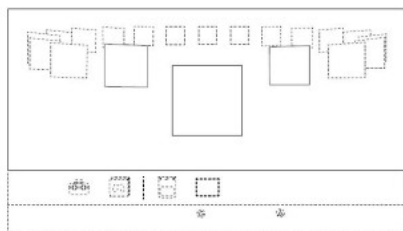
JAPAN

[74] China Patent Agent (H.K.) Ltd.

22/F, Great Eagle Centre,

23 Harbour Road, Wanchai,

HONG KONG



[11] 1913233.9M002

[15] 18-03-2019

[30] 18-09-2018 / JP / 2018 of 020256

[51] Cl. 14-02

[54] 數碼內容播放機

Digital content player

[73] SONY INTERACTIVE ENTERTAINMENT INC.

1-7-1 KONAN, MINATO-KU

TOKYO 108-0075

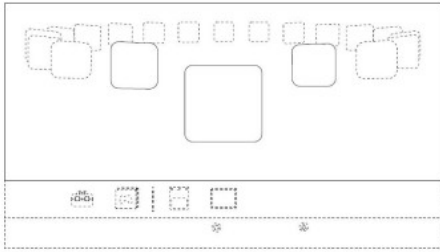
JAPAN

[74] China Patent Agent (H.K.) Ltd.

22/F, Great Eagle Centre,

23 Harbour Road, Wanchai,

HONG KONG



[11] 1913233.9M003

[15] 18-03-2019

[30] 18-09-2018 / JP / 2018 of 020257

[51] Cl. 14-02

[54] 數碼內容播放機

Digital content player

[73] SONY INTERACTIVE ENTERTAINMENT INC.

1-7-1 KONAN, MINATO-KU

TOKYO 108-0075

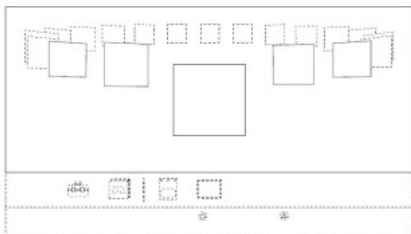
JAPAN

[74] China Patent Agent (H.K.) Ltd.

22/F, Great Eagle Centre,

23 Harbour Road, Wanchai,

HONG KONG



[11] 1913233.9M004

[15] 18-03-2019

[30] 18-09-2018 / JP / 2018 of 020258

[51] Cl. 14-02

[54] 數碼內容播放機

Digital content player

[73] SONY INTERACTIVE ENTERTAINMENT INC.

1-7-1 KONAN, MINATO-KU

TOKYO 108-0075

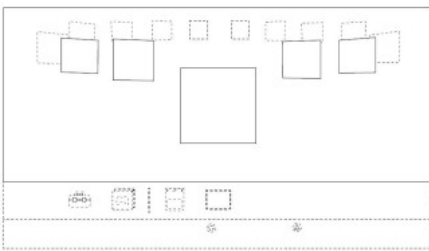
JAPAN

[74] China Patent Agent (H.K.) Ltd.

22/F, Great Eagle Centre,

23 Harbour Road, Wanchai,

HONG KONG



[11] 1913233.9M005

[15] 18-03-2019

[30] 18-09-2018 / JP / 2018 of 020259

[51] Cl. 14-02

[54] 數碼內容播放機

Digital content player

[73] SONY INTERACTIVE ENTERTAINMENT INC.

1-7-1 KONAN, MINATO-KU

TOKYO 108-0075

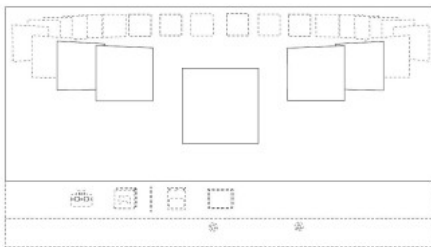
JAPAN

[74] China Patent Agent (H.K.) Ltd.

22/F, Great Eagle Centre,

23 Harbour Road, Wanchai,

HONG KONG



[11] 1913233.9M006

[15] 18-03-2019

[30] 18-09-2018 / JP / 2018 of 020260

[51] Cl. 14-02

[54] 數碼內容播放機

Digital content player

[73] SONY INTERACTIVE ENTERTAINMENT INC.

1-7-1 KONAN, MINATO-KU

TOKYO 108-0075

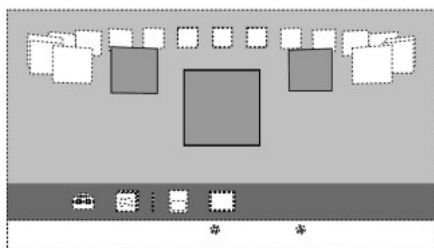
JAPAN

[74] China Patent Agent (H.K.) Ltd.

22/F, Great Eagle Centre,

23 Harbour Road, Wanchai,

HONG KONG



[11] 1913233.9M007

[15] 18-03-2019

[30] 18-09-2018 / JP / 2018 of 020261

[51] Cl. 14-02

[54] 數碼內容播放機

Digital content player

[73] SONY INTERACTIVE ENTERTAINMENT INC.

1-7-1 KONAN, MINATO-KU

TOKYO 108-0075

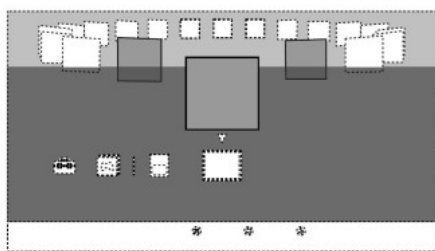
JAPAN

[74] China Patent Agent (H.K.) Ltd.

22/F, Great Eagle Centre,

23 Harbour Road, Wanchai,

HONG KONG



[11] 1913233.9M008

[15] 18-03-2019

[30] 18-09-2018 / JP / 2018 of 020262

[51] Cl. 14-02

[54] 數碼內容播放機

Digital content player

[73] SONY INTERACTIVE ENTERTAINMENT INC.

1-7-1 KONAN, MINATO-KU

TOKYO 108-0075

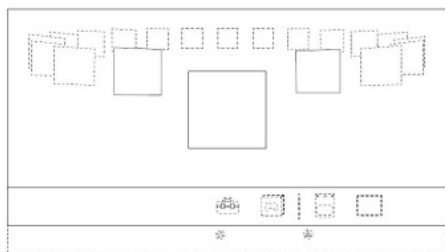
JAPAN

[74] China Patent Agent (H.K.) Ltd.

22/F, Great Eagle Centre,

23 Harbour Road, Wanchai,

HONG KONG



[11] 1913234.1

[15] 18-03-2019

[30] 11-02-2019 / US / 29/679,829

[51] Cl. 26-02

[54] 背包的燈具

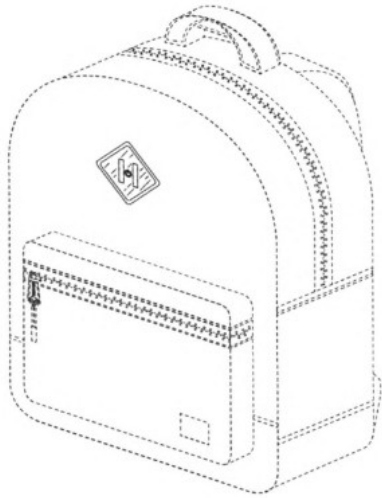
Light for backpack

[73] Herschel Supply Company Ltd.

327-611 Alexander Street, Vancouver, British Columbia, V6A

1E1, Canada

- [74] Hogan Lovells
11th Floor, One Pacific Place, 88 Queensway, Hong Kong



-
- [11] 1913236.6M001
[15] 18-03-2019
[30] 18-09-2018 / EM / 005646882
[51] Cl. 12-12
[54] 嬰兒車
Stroller
[73] 斯托克股份有限公司
STOKKE AS
PARKGATA 6, 6003
ALESUND
NORWAY
[74] CLT PATENT & TRADEMARK (H.K.) LIMITED
Unit 09, 34/F., Office Tower, Convention Plaza
No. 1 Harbour Road, Wanchai
HONG KONG



[11] 1913236.6M002

[15] 18-03-2019

[30] 18-09-2018 / EM / 005646882

[51] Cl. 12-12

[54] 嬰兒車

Stroller

[73] 斯托克股份有限公司

STOKKE AS

PARKGATA 6, 6003

ALESUND

NORWAY

[74] CLT PATENT & TRADEMARK (H.K.) LIMITED

Unit 09, 34/F., Office Tower, Convention Plaza

No. 1 Harbour Road, Wanchai

HONG KONG



[11] 1913291.1

[15] 25-03-2019

[51] Cl. 26-05

[54] 牆壁燈

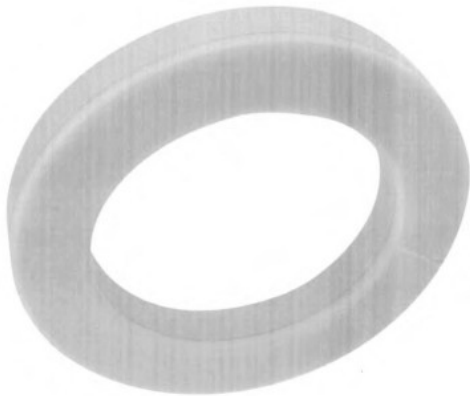
Wall light

[73] ZAZU HOLDING LIMITED

FLOOR 14, HANG WAI COMM BLDG.,
231-233 QUEENS ROAD EAST, WANCHAI,
HONG KONG

[74] ZAZU HOLDING LIMITED

FLOOR 14, HANG WAI COMM BLDG.,
231-233 QUEENS ROAD EAST, WANCHAI,
HONG KONG



[11] 1913300.2

[15] 26-03-2019

[30] 27-09-2018 / JP / 2018 of 020982

[51] Cl. 28-03

[54] 光學美容裝置

Optical beauty device

[73] 麥克賽爾控股株式會社

Maxell Holdings, Ltd.
日本 京都府乙訓
郡
大山崎町大山崎小泉 1 番地

[74] CHINA PATENT AGENT (HONG KONG) LIMITED

22/F, Great Eagle Centre, 23 Harbour Road, Wanchai
Hong kong



[11] 1913370.9

[15] 03-04-2019

[30] 01-04-2019 / CN / 201930142263.X

[51] Cl. 14-06

[54] 手機支架

Mobile Phone Support

[73] 廣東高普達集團股份有限公司

GUANGDONG GOPOD GROUP CO., LTD.

中國內地深圳市龍華新區 大浪街道同

勝社區華榮路 聯建科技工業園廠房 8

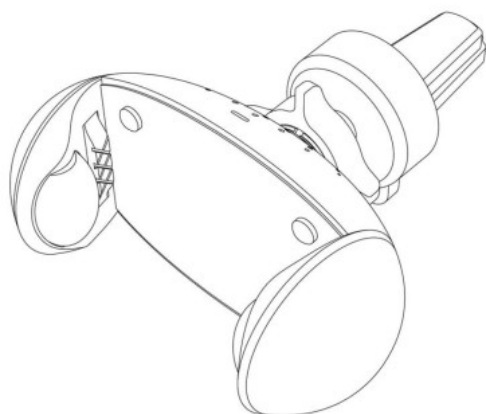
棟 4、5、6 樓

[74] 中一聯合國際知識產權有限公司

香港

九龍尖沙咀漆咸道南 45-51 號

其士大廈 803 室



[11] 1913371.1

[15] 03-04-2019

[30] 01-04-2019 / CN / 201930142241.3

[51] Cl. 13-02

[54] 移動電源

Portable power supply

[73] 廣東高普達集團股份有限公司

GUANGDONG GOPOD GROUP CO., LTD.

中國內地廣東省深圳市龍華新區 大浪

街道同勝社區華榮路 聯建科技工業園

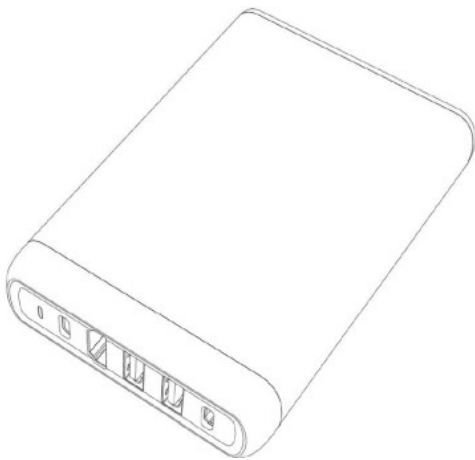
廠房 8 棟 4、5、6 樓

[74] 中一聯合國際知識產權有限公司

香港

九龍尖沙咀漆咸道南 45-51 號

其士大廈 803 室



[11] 1913661.7

[15] 17-05-2019

[51] Cl. 9-03

[54] 包裝盒

Packaging box

[73] 鴻運貿易(國際)有限公司

HUNG WIN TRADING COMPANY LIMITED

香港

葵涌打磚坪街 44-52 號

達明工業大廈 5 樓, A, A2, A3, A4, A5 室

[74] 鴻運貿易(國際)有限公司

香港葵涌

打磚坪街 44-52 號

達明工業大廈 5 字樓 A 座 A2-A5 室



[11] 1913857.3

[15] 05-06-2019

[51] Cl. 11-02

[54] 裝飾物

Ornament

[73] 老鋪黃金(香港)有限公司

LAO PU (HONG KONG) COMPANY LIMITED

Room 801-2, 8/F, Easey Commercial Building,

253-261 Hennessy Road, Wanchai,

HONG KONG

[74] SF LAWYERS

UNIT 1125-1127, PRINCE'S BUILDING,

10 CHATER ROAD, CENTRAL,

HONG KONG



[11] 1913858.5

[15] 05-06-2019

[51] Cl. 11-02

[54] 裝飾物

Ornament

[73] 老鋪黃金(香港)有限公司

LAO PU (HONG KONG) COMPANY LIMITED

Room 801-2, 8/F, Easey Commercial Building,

253-261 Hennessy Road, Wanchai,

HONG KONG

[74] SF LAWYERS

UNIT 1125-1127, PRINCE'S BUILDING,

10 CHATER ROAD, CENTRAL,

HONG KONG



[11] 1913859.7

[15] 05-06-2019

[51] Cl. 11-02

[54] 裝飾碗

Decorative bowl

[73] 老鋪黃金(香港)有限公司

LAO PU (HONG KONG) COMPANY LIMITED

Room 801-2, 8/F, Easey Commercial Building,

253-261 Hennessy Road, Wanchai,

HONG KONG

[74] SF LAWYERS

UNIT 1125-1127, PRINCE'S BUILDING,

10 CHATER ROAD, CENTRAL,

HONG KONG



[11] 1913860.9

[15] 05-06-2019

[51] Cl. 11-02

[54] 裝飾物

Ornament

[73] 老鋪黃金(香港)有限公司

LAO PU (HONG KONG) COMPANY LIMITED

Room 801-2, 8/F, Easey Commercial Building,

253-261 Hennessy Road, Wanchai,

HONG KONG

[74] SF LAWYERS

UNIT 1125-1127, PRINCE'S BUILDING,

10 CHATER ROAD, CENTRAL,

HONG KONG



[11] 1913861.1

[15] 05-06-2019

[51] Cl. 11-02

[54] 裝飾物

Ornament

[73] 老鋪黃金(香港)有限公司

LAO PU (HONG KONG) COMPANY LIMITED

Room 801-2, 8/F, Easey Commercial Building,

253-261 Hennessy Road, Wanchai,

HONG KONG

[74] SF LAWYERS
UNIT 1125-1127, PRINCE'S BUILDING,
10 CHATER ROAD, CENTRAL,
HONG KONG



[11] 1913864.7

[15] 05-06-2019

[51] Cl. 11-02

[54] 裝飾物

Ornament

[73] 老鋪黃金(香港)有限公司
LAO PU (HONG KONG) COMPANY LIMITED
Room 801-2, 8/F, Easey Commercial Building,
253-261 Hennessy Road, Wanchai,
HONG KONG

[74] SF LAWYERS
UNIT 1125-1127, PRINCE'S BUILDING,
10 CHATER ROAD, CENTRAL,
HONG KONG



[11] 1913865.0

[15] 05-06-2019

[51] Cl. 11-02

[54] 裝飾物

Ornament

[73] 老鋪黃金(香港)有限公司

LAO PU (HONG KONG) COMPANY LIMITED

Room 801-2, 8/F, Easey Commercial Building,

253-261 Hennessy Road, Wanchai,

HONG KONG

[74] SF LAWYERS

UNIT 1125-1127, PRINCE'S BUILDING,

10 CHATER ROAD, CENTRAL,

HONG KONG



[11] 1913866.2

[15] 05-06-2019

[51] Cl. 11-02

[54] 裝飾物

Ornament

[73] 老鋪黃金(香港)有限公司

LAO PU (HONG KONG) COMPANY LIMITED

Room 801-2, 8/F, Easey Commercial Building,

253-261 Hennessy Road, Wanchai,

HONG KONG

[74] SF LAWYERS

UNIT 1125-1127, PRINCE'S BUILDING,

10 CHATER ROAD, CENTRAL,

HONG KONG



[11] 1913870.0

[15] 05-06-2019

[51] Cl. 11-01

[54] 手鐲

Bracelet

[73] 老鋪黃金(香港)有限公司

LAO PU (HONG KONG) COMPANY LIMITED

Room 801-2, 8/F, Easey Commercial Building,

253-261 Hennessy Road, Wanchai,

HONG KONG

[74] SF LAWYERS

UNIT 1125-1127, PRINCE'S BUILDING,

10 CHATER ROAD, CENTRAL,

HONG KONG



[11] 1913871.2

[15] 05-06-2019

[51] Cl. 11-01

[54] 手鐲

Bracelet

- [73] 老鋪黃金(香港)有限公司
LAO PU (HONG KONG) COMPANY LIMITED
Room 801-2, 8/F, Easey Commercial Building,
253-261 Hennessy Road, Wanchai,
HONG KONG
- [74] SF LAWYERS
UNIT 1125-1127, PRINCE'S BUILDING,
10 CHATER ROAD, CENTRAL,
HONG KONG



-
- [11] 1913872.4M001
- [15] 05-06-2019
- [51] Cl. 11-01
- [54] 戒指
Ring
- [73] 老鋪黃金(香港)有限公司
LAO PU (HONG KONG) COMPANY LIMITED
Room 801-2, 8/F, Easey Commercial Building,
253-261 Hennessy Road, Wanchai,
HONG KONG
- [74] SF LAWYERS
UNIT 1125-1127, PRINCE'S BUILDING,
10 CHATER ROAD, CENTRAL,
HONG KONG



[11] 1913872.4M002

[15] 05-06-2019

[51] Cl. 11-01

[54] 戒指

Ring

[73] 老鋪黃金(香港)有限公司

LAO PU (HONG KONG) COMPANY LIMITED

Room 801-2, 8/F, Easey Commercial Building,
253-261 Hennessy Road, Wanchai,

HONG KONG

[74] SF LAWYERS

UNIT 1125-1127, PRINCE'S BUILDING,

10 CHATER ROAD, CENTRAL,

HONG KONG



[11] 1913873.6

[15] 05-06-2019

[51] Cl. 11-01

[54] 髮簪

Hair Fastener

[73] 老鋪黃金(香港)有限公司

LAO PU (HONG KONG) COMPANY LIMITED
Room 801-2, 8/F, Easey Commercial Building,
253-261 Hennessy Road, Wanchai,
HONG KONG

[74] SF LAWYERS

UNIT 1125-1127, PRINCE'S BUILDING,
10 CHATER ROAD, CENTRAL,
HONG KONG



[11] 1913874.8

[15] 05-06-2019

[51] Cl. 11-01

[54] 吊墜

Pendant

[73] 老鋪黃金(香港)有限公司

LAO PU (HONG KONG) COMPANY LIMITED
Room 801-2, 8/F, Easey Commercial Building,
253-261 Hennessy Road, Wanchai,
HONG KONG

[74] SF LAWYERS

UNIT 1125-1127, PRINCE'S BUILDING,
10 CHATER ROAD, CENTRAL,
HONG KONG



[11] 1913875.1

[15] 05-06-2019

[51] Cl. 11-01

[54] 吊墜

Pendant

[73] 老鋪黃金(香港)有限公司

LAO PU (HONG KONG) COMPANY LIMITED

Room 801-2, 8/F, Easey Commercial Building,

253-261 Hennessy Road, Wanchai,

HONG KONG

[74] SF LAWYERS

UNIT 1125-1127, PRINCE'S BUILDING,

10 CHATER ROAD, CENTRAL,

HONG KONG



[11] 1913876.3

[15] 05-06-2019

[51] Cl. 11-01

[54] 吊墜

Pendant

[73] 老鋪黃金(香港)有限公司

LAO PU (HONG KONG) COMPANY LIMITED

Room 801-2, 8/F, Easey Commercial Building,

253-261 Hennessy Road, Wanchai,

HONG KONG

[74] SF LAWYERS

UNIT 1125-1127, PRINCE'S BUILDING,

10 CHATER ROAD, CENTRAL,

HONG KONG



[11] 1913877.5

[15] 05-06-2019

[51] Cl. 11-01

[54] 吊墜

Pendant

[73] 老鋪黃金(香港)有限公司

LAO PU (HONG KONG) COMPANY LIMITED

Room 801-2, 8/F, Easey Commercial Building,

253-261 Hennessy Road, Wanchai,

HONG KONG

[74] SF LAWYERS

UNIT 1125-1127, PRINCE'S BUILDING,

10 CHATER ROAD, CENTRAL,

HONG KONG



[11] 1913879.9M001

[15] 05-06-2019

[51] Cl. 11-01

[54] 吊墜

Pendant

[73] 老鋪黃金(香港)有限公司
LAO PU (HONG KONG) COMPANY LIMITED
Room 801-2, 8/F, Easey Commercial Building,
253-261 Hennessy Road, Wanchai,
HONG KONG

[74] SF LAWYERS
UNIT 1125-1127, PRINCE'S BUILDING,
10 CHATER ROAD, CENTRAL,
HONG KONG



[11] 1913879.9M002

[15] 05-06-2019

[51] Cl. 11-01

[54] 吊墜

Pendant

[73] 老鋪黃金(香港)有限公司
LAO PU (HONG KONG) COMPANY LIMITED
Room 801-2, 8/F, Easey Commercial Building,
253-261 Hennessy Road, Wanchai,
HONG KONG

[74] SF LAWYERS
UNIT 1125-1127, PRINCE'S BUILDING,
10 CHATER ROAD, CENTRAL,
HONG KONG



[11] 1913881.3

[15] 05-06-2019

[51] Cl. 11-02

[54] 裝飾物

Ornament

[73] 老鋪黃金(香港)有限公司

LAO PU (HONG KONG) COMPANY LIMITED

Room 801-2, 8/F, Easey Commercial Building,

253-261 Hennessy Road, Wanchai,

HONG KONG

[74] SF LAWYERS

UNIT 1125-1127, PRINCE'S BUILDING,

10 CHATER ROAD, CENTRAL,

HONG KONG



[11] 1913882.5

[15] 05-06-2019

[51] Cl. 11-01

[54] 戒指

Ring

[73] 老鋪黃金(香港)有限公司

LAO PU (HONG KONG) COMPANY LIMITED

Room 801-2, 8/F, Easey Commercial Building,

253-261 Hennessy Road, Wanchai,

HONG KONG

[74] SF LAWYERS

UNIT 1125-1127, PRINCE'S BUILDING,

10 CHATER ROAD, CENTRAL,

HONG KONG



[11] 1913883.7

[15] 05-06-2019

[51] Cl. 11-01

[54] 吊墜

Pendant

[73] 老鋪黃金(香港)有限公司

LAO PU (HONG KONG) COMPANY LIMITED

Room 801-2, 8/F, Easey Commercial Building,

253-261 Hennessy Road, Wanchai,

HONG KONG

[74] SF LAWYERS

UNIT 1125-1127, PRINCE'S BUILDING,

10 CHATER ROAD, CENTRAL,

HONG KONG



[11] 1913884.9M001

[15] 05-06-2019

[51] Cl. 11-01

[54] 吊墜

Pendant

[73] 老鋪黃金(香港)有限公司

LAO PU (HONG KONG) COMPANY LIMITED

Room 801-2, 8/F, Easey Commercial Building,

253-261 Hennessy Road, Wanchai,

HONG KONG

[74] SF LAWYERS

UNIT 1125-1127, PRINCE'S BUILDING,

10 CHATER ROAD, CENTRAL,
HONG KONG



[11] 1913884.9M002

[15] 05-06-2019

[51] Cl. 11-01

[54] 吊墜

Pendant

[73] 老鋪黃金(香港)有限公司

LAO PU (HONG KONG) COMPANY LIMITED

Room 801-2, 8/F, Easey Commercial Building,

253-261 Hennessy Road, Wanchai,

HONG KONG

[74] SF LAWYERS

UNIT 1125-1127, PRINCE'S BUILDING,

10 CHATER ROAD, CENTRAL,

HONG KONG



[11] 1913886.4

[15] 05-06-2019

[51] Cl. 11-01

[54] 吊墜

Pendant

[73] 老鋪黃金(香港)有限公司

LAO PU (HONG KONG) COMPANY LIMITED

Room 801-2, 8/F, Easey Commercial Building,

253-261 Hennessy Road, Wanchai,

HONG KONG

[74] SF LAWYERS

UNIT 1125-1127, PRINCE'S BUILDING,

10 CHATER ROAD, CENTRAL,

HONG KONG



[11] 1913887.6

[15] 05-06-2019

[51] Cl. 11-01

[54] 吊墜

Pendant

[73] 老鋪黃金(香港)有限公司

LAO PU (HONG KONG) COMPANY LIMITED

Room 801-2, 8/F, Easey Commercial Building,

253-261 Hennessy Road, Wanchai,

HONG KONG

[74] SF LAWYERS

UNIT 1125-1127, PRINCE'S BUILDING,

10 CHATER ROAD, CENTRAL,

HONG KONG



[11] 1913888.8

[15] 05-06-2019

[51] Cl. 11-02

[54] 裝飾物

Ornament

[73] 老鋪黃金(香港)有限公司

LAO PU (HONG KONG) COMPANY LIMITED

Room 801-2, 8/F, Easey Commercial Building,

253-261 Hennessy Road, Wanchai,

HONG KONG

[74] SF LAWYERS

UNIT 1125-1127, PRINCE'S BUILDING,

10 CHATER ROAD, CENTRAL,

HONG KONG



[11] 1913889.0

[15] 05-06-2019

[51] Cl. 11-01

[54] 胸針

Brooch

[73] 老鋪黃金(香港)有限公司
LAO PU (HONG KONG) COMPANY LIMITED
Room 801-2, 8/F, Easey Commercial Building,
253-261 Hennessy Road, Wanchai,
HONG KONG

[74] SF LAWYERS
UNIT 1125-1127, PRINCE'S BUILDING,
10 CHATER ROAD, CENTRAL,
HONG KONG



[11] 1913890.2

[15] 05-06-2019

[51] Cl. 11-01

[54] 胸針

Brooch

[73] 老鋪黃金(香港)有限公司
LAO PU (HONG KONG) COMPANY LIMITED
Room 801-2, 8/F, Easey Commercial Building,
253-261 Hennessy Road, Wanchai,
HONG KONG

[74] SF LAWYERS
UNIT 1125-1127, PRINCE'S BUILDING,
10 CHATER ROAD, CENTRAL,
HONG KONG



[11] 1913891.4

[15] 05-06-2019

[51] Cl. 11-01

[54] 手鐲

Bracelet

[73] 老鋪黃金(香港)有限公司

LAO PU (HONG KONG) COMPANY LIMITED

Room 801-2, 8/F, Easey Commercial Building,

253-261 Hennessy Road, Wanchai,

HONG KONG

[74] SF LAWYERS

UNIT 1125-1127, PRINCE'S BUILDING,

10 CHATER ROAD, CENTRAL,

HONG KONG



[11] 1913892.6

[15] 05-06-2019

[51] Cl. 11-01

[54] 手鐲

Bracelet

[73] 老鋪黃金(香港)有限公司

LAO PU (HONG KONG) COMPANY LIMITED

Room 801-2, 8/F, Easey Commercial Building,
253-261 Hennessy Road, Wanchai,
HONG KONG

[74] SF LAWYERS
UNIT 1125-1127, PRINCE'S BUILDING,
10 CHATER ROAD, CENTRAL,
HONG KONG



[11] 1913904.3

[15] 06-06-2019

[51] Cl. 23-04

[54] 帶衣物乾燥功能的除濕器

Dehumidifier with clothes drying function

[73] 松下知識產權經營株式會社

Panasonic Intellectual Property Management Co., Ltd.

1-61, Shiromi 2-chome, Chuo-ku, Osaka-shi,

Osaka 540-6207

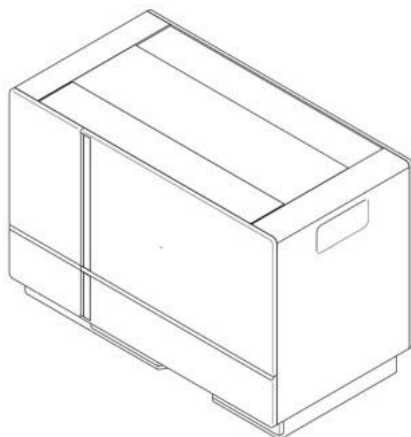
JAPAN

[74] MARKS & CLERK

Level 9, Cyberport 1

100 Cyberport Road, Pok Fu Lam

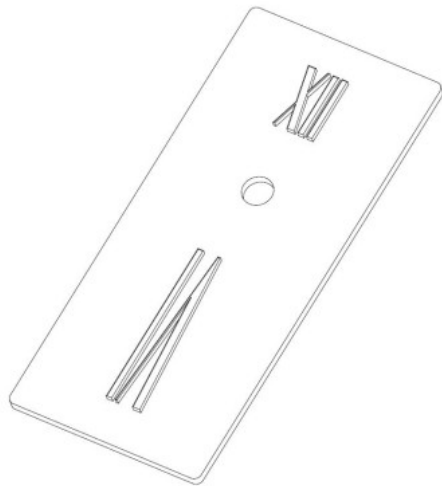
HONG KONG



- [11] 1913905.6
[15] 06-06-2019
[30] 22-02-2019 / CN / 201930073252.0
[51] Cl. 7-02
[54] 電磁爐
Induction cooker
[73] 佛山市順德區美的電熱電器製造有限公司
中國內地
528311 廣東省佛山市順德區
北滘鎮三樂東路 19 號
[74] 高保知識產權代理有限公司
香港
荃灣白田壩街 36-44 號
信義工業大廈 9 樓



-
- [11] 1913907.0M001
[15] 06-06-2019
[30] 06-12-2018 / EU, MA, SG, CH, GB, TR / DM/200755
[51] Cl. 10-07
[54] 錶面
Watch dial
[73] CARTIER INTERNATIONAL AG
Hinterbergstrasse 22
6312 Steinhausen
SWITZERLAND
[74] WENPING & CO
1701 Tung Wai Commercial Building,
111 Gloucester Road,
HONG KONG



[11] 1913907.0M002

[15] 06-06-2019

[30] 06-12-2018 / WO / DM/200 755

[51] Cl. 10-02

[54] 錶

Watch

[73] CARTIER INTERNATIONAL AG

Hinterbergstrasse 22

6312 Steinhausen

SWITZERLAND

[74] WENPING & CO

1701 Tung Wai Commercial Building,

111 Gloucester Road,

HONG KONG



[11] 1913907.0M003

[15] 06-06-2019

[30] 06-12-2018 / WO / DM/200 755

[51] Cl. 10-07

[54] 錶面

Watch dial

[73] CARTIER INTERNATIONAL AG

Hinterbergstrasse 22

6312 Steinhausen

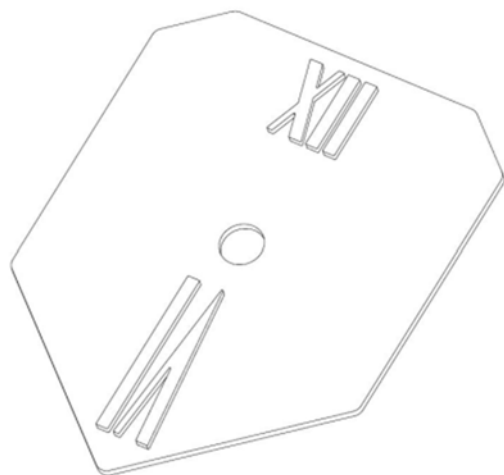
SWITZERLAND

[74] WENPING & CO

1701 Tung Wai Commercial Building,

111 Gloucester Road,

HONG KONG



[11] 1913907.0M004

[15] 06-06-2019

[30] 06-12-2018 / WO / DM/200 755

[51] Cl. 10-02

[54] 錶

Watch

[73] CARTIER INTERNATIONAL AG

Hinterbergstrasse 22

6312 Steinhausen

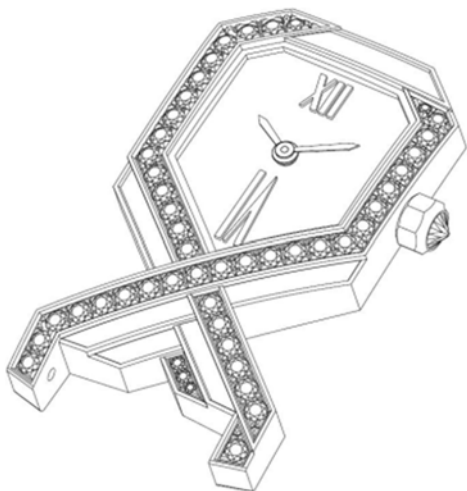
SWITZERLAND

[74] WENPING & CO

1701 Tung Wai Commercial Building,

111 Gloucester Road,

HONG KONG



[11] 1913907.0M005

[15] 06-06-2019

[30] 06-12-2018 / WO / DM/200 755

[51] Cl. 10-07

[54] 錶殼

Watch case

[73] CARTIER INTERNATIONAL AG
Hinterbergstrasse 22
6312 Steinhausen
SWITZERLAND

[74] WENPING & CO
1701 Tung Wai Commercial Building,
111 Gloucester Road,
HONG KONG



[11] 1913907.0M006

[15] 06-06-2019

[30] 06-12-2018 / WO / DM/200 755

[51] Cl. 10-02

[54] 錶

Watch

[73] CARTIER INTERNATIONAL AG

Hinterbergstrasse 22

6312 Steinhausen

SWITZERLAND

[74] WENPING & CO

1701 Tung Wai Commercial Building,

111 Gloucester Road,

HONG KONG



[11] 1913910.6M001

[15] 06-06-2019

[51] Cl. 14-01

[54] 揚聲器

Speaker

[73] 愛高電業有限公司

Alco Electronics Limited

11/F., Metropole Square

2 On Yiu Street, Sha Tin, New Territories

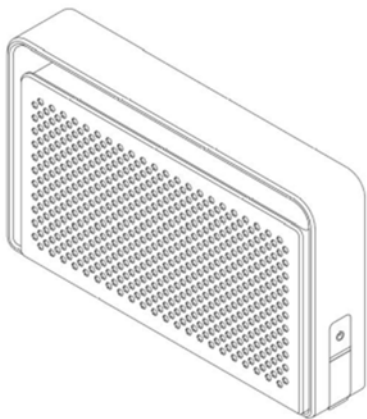
HONG KONG

[74] MARKS & CLERK

Level 9, Cyberport 1

100 Cyberport Road, Pok Fu Lam

HONG KONG



[11] 1913910.6M002

[15] 06-06-2019

[51] Cl. 14-01

[54] 揚聲器

Speaker

[73] 愛高電業有限公司

Alco Electronics Limited

11/F., Metropole Square

2 On Yiu Street, Sha Tin, New Territories

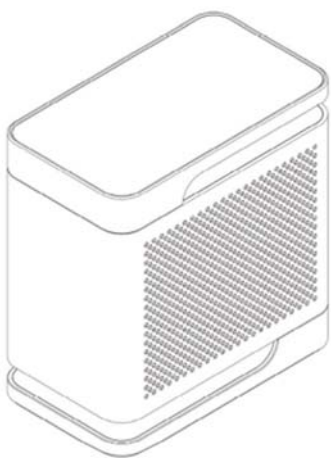
HONG KONG

[74] MARKS & CLERK

Level 9, Cyberport 1

100 Cyberport Road, Pok Fu Lam

HONG KONG



[11] 1913911.8

[15] 06-06-2019

[51] Cl. 6-06

[54] 三角形書座

Triangle book stand

[73] 江森製品有限公司

EMORI PRODUCTS COMPANY LIMITED

香港新界葵涌梨木道 79 號,

亞洲貿易中心 20 樓 2021 室

[74] 栢珍妮策劃有限公司

香港

香港上環德輔道中 199 號

無限極廣場 12 樓



[11] 1913912.0

[15] 06-06-2019

[51] Cl. 7-02

[54] 鑊

Wok

[73] 香港和興隆集團有限公司

Wo Hing Loong (HK) Holdings Limited

香港 香港上水大頭嶺

村 東慶路 211 b 地

下

[74] 栢珍妮策劃有限公司

香港

香港上環德輔道中 199 號

無限極廣場 12 樓



[11] 1913914.4M001

[15] 10-06-2019

[51] Cl. 11-01

[54] 飾物設計

Ornament Design

[73] 六福集團有限公司

Luk Fook Holdings Company Limited
Floor 15, 20, 25 & 27, Metropole Square,
No.2 On Yiu Street, Shatin, New Territories,
HONG KONG

[74] Luk Fook Holdings Company Limited

(Legal Affairs Department)

Floor 25, Metropole Square
No.2 On Yiu Street, Shatin, New Territories,
HONG KONG



[11] 1913914.4M002

[15] 10-06-2019

[51] Cl. 11-01

[54] 飾物設計

Ornament Design

[73] 六福集團有限公司

Luk Fook Holdings Company Limited
Floor 15, 20, 25 & 27, Metropole Square,
No.2 On Yiu Street, Shatin, New Territories,
HONG KONG

[74] Luk Fook Holdings Company Limited

(Legal Affairs Department)

Floor 25, Metropole Square
No.2 On Yiu Street, Shatin, New Territories,
HONG KONG



[11] 1913914.4M003

[15] 10-06-2019

[51] Cl. 11-01

[54] 飾物設計

Ornament Design

[73] 六福集團有限公司

Luk Fook Holdings Company Limited
Floor 15, 20, 25 & 27, Metropole Square,
No.2 On Yiu Street, Shatin, New Territories,
HONG KONG

[74] Luk Fook Holdings Company Limited

(Legal Affairs Department)

Floor 25, Metropole Square
No.2 On Yiu Street, Shatin, New Territories,
HONG KONG



[11] 1913914.4M004

[15] 10-06-2019

[51] Cl. 11-01

[54] 飾物設計

Ornament Design

[73] 六福集團有限公司

Luk Fook Holdings Company Limited
Floor 15, 20, 25 & 27, Metropole Square,
No.2 On Yiu Street, Shatin, New Territories,
HONG KONG

[74] Luk Fook Holdings Company Limited

(Legal Affairs Department)
Floor 25, Metropole Square
No.2 On Yiu Street, Shatin, New Territories,
HONG KONG



[11] 1913914.4M005

[15] 10-06-2019

[51] Cl. 11-01

[54] 飾物設計

Ornament Design

[73] 六福集團有限公司

Luk Fook Holdings Company Limited
Floor 15, 20, 25 & 27, Metropole Square,

No.2 On Yiu Street, Shatin, New Territories,
HONG KONG

[74] Luk Fook Holdings Company Limited
(Legal Affairs Department)
Floor 25, Metropole Square
No.2 On Yiu Street, Shatin, New Territories,
HONG KONG



[11] 1913914.4M006

[15] 10-06-2019

[51] Cl. 11-01

[54] 飾物設計

Ornament Design

[73] 六福集團有限公司

Luk Fook Holdings Company Limited
Floor 15, 20, 25 & 27, Metropole Square,
No.2 On Yiu Street, Shatin, New Territories,
HONG KONG

[74] Luk Fook Holdings Company Limited
(Legal Affairs Department)
Floor 25, Metropole Square
No.2 On Yiu Street, Shatin, New Territories,
HONG KONG



[11] 1913914.4M007

[15] 10-06-2019

[51] Cl. 11-01

[54] 飾物設計

Ornament Design

[73] 六福集團有限公司

Luk Fook Holdings Company Limited
Floor 15, 20, 25 & 27, Metropole Square,
No.2 On Yiu Street, Shatin, New Territories,
HONG KONG

[74] Luk Fook Holdings Company Limited

(Legal Affairs Department)

Floor 25, Metropole Square
No.2 On Yiu Street, Shatin, New Territories,
HONG KONG



[11] 1913914.4M008

[15] 10-06-2019

[51] Cl. 11-01

[54] 飾物設計

Ornament Design

[73] 六福集團有限公司

Luk Fook Holdings Company Limited
Floor 15, 20, 25 & 27, Metropole Square,
No.2 On Yiu Street, Shatin, New Territories,
HONG KONG

[74] Luk Fook Holdings Company Limited

(Legal Affairs Department)

Floor 25, Metropole Square
No.2 On Yiu Street, Shatin, New Territories,
HONG KONG



[11] 1913915.7

[15] 10-06-2019

[51] Cl. 16-02

[54] 虛擬實境眼鏡

Virtual reality glasses

[73] 深圳市大疆創新科技有限公司

中國內地

廣東省深圳市南山區高新區南區

粵興一道 9 號香港科大深圳產學研大樓 6 樓

[74] 香港知識產權代理有限公司

香港 新界白石角香港科學園

第三期

科技大道西 12 號 2 樓 230 室

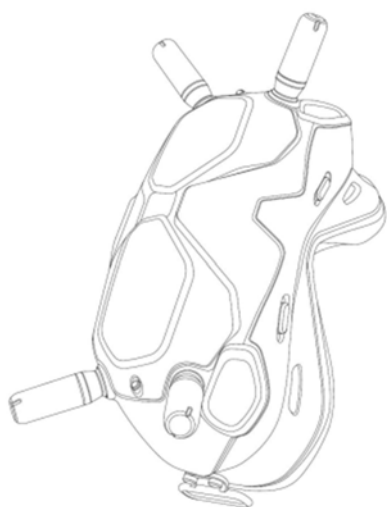


[11] 1913916.9

[15] 10-06-2019

[51] Cl. 16-02

- [54] 虛擬實境眼鏡
Virtual reality glasses
- [73] 深圳市大疆創新科技有限公司
中國內地
廣東省深圳市南山區高新區南區
粵興一道 9 號香港科大深圳產學研大樓 6 樓
- [74] 香港知識產權代理有限公司
香港 新界白石角香港科學園
第三期
科技大道西 12 號 2 樓 230 室



-
- [11] 1913917.1M001
- [15] 10-06-2019
- [30] 11-01-2019 / EM / 005995016-0001
- [51] Cl. 3-01
- [54] 袋
Bag
- [73] S.A.S. JEAN CASSEGRAIN
12 Rue Saint Florentin
75001 PARIS
FRANCE
- [74] BAKER & MCKENZIE
14TH FLOOR, ONE TAIKOO PLACE,
979 KING'S ROAD, QUARRY BAY,
HONG KONG



[11] 1913917.1M002

[15] 10-06-2019

[30] 11-01-2019 / EM / 005995016-0003

[51] Cl. 3-01

[54] 袋

Bag

[73] S.A.S. JEAN CASSEGRAIN

12 Rue Saint Florentin

75001 PARIS

FRANCE

[74] BAKER & MCKENZIE

14TH FLOOR, ONE TAIKOO PLACE,

979 KING'S ROAD, QUARRY BAY,

HONG KONG



[11] 1913918.3

[15] 10-06-2019

[30] 26-12-2018 / CN / 201830757874.0

[51] Cl. 14-01

[54] 耳機

Earphone

[73] 索尼公司

SONY CORPORATION

1-7-1 KONAN, MINATO-KU

TOKYO 108-0075, JAPAN

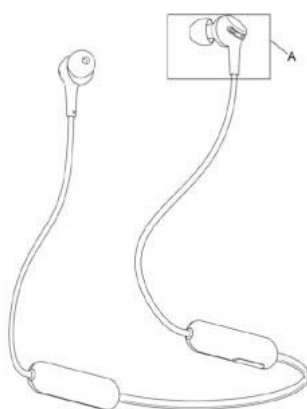
JAPAN

[74] UNITALEN ATTORNEYS AT LAW LIMITED

RM 1201, 12/F, GOLDEN ERA PLAZA,

39-55 SAI YEE ST, MONGKOK KLN,

HONG KONG



[11] 1913919.5

[15] 10-06-2019

[30] 17-12-2018 / EU / 005910783-0001

[51] Cl. 14-02

[54] 數據處理設備

Data processing equipment

[73] SITA IT Services Canada Inc.

770 Sherbrooke West, Suite 2300

Montreal Quebec H3A 1G1

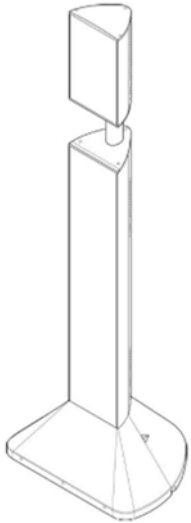
CANADA

[74] CLT PATENT & TRADEMARK (H.K.) LIMITED

Unit 09, 34/F., Office Tower, Convention Plaza

No. 1 Harbour Road, Wanchai

HONG KONG



[11] 1913922.1M001

[15] 10-06-2019

[30] 10-12-2018 / US / 29/672,819

[51] Cl. 8-05

[54] 手提散佈機

Hand-held spreader

[73] OMS INVESTMENTS, INC.

10250 Constellation Boulevard

Suite 2800, Los Angeles, CA

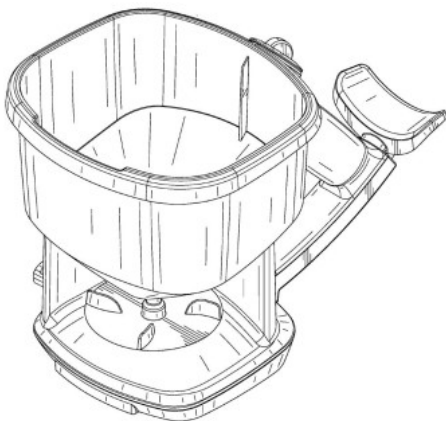
UNITED STATES

[74] WENPING & CO

1701 Tung Wai Commercial Building,

111 Gloucester Road,

HONG KONG



[11] 1913922.1M002

[15] 10-06-2019

[30] 10-12-2018 / US / 29/672,819

[51] Cl. 8-05

[54] 手提散佈機

Hand-held spreader

[73] OMS INVESTMENTS, INC.

10250 Constellation Boulevard

Suite 2800, Los Angeles, CA

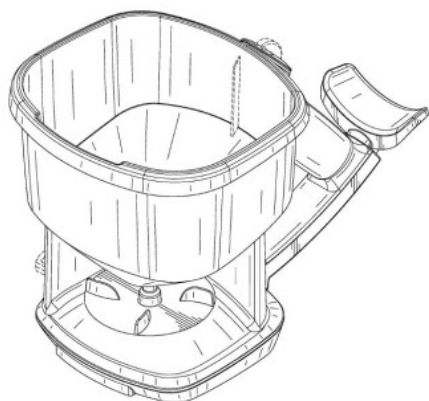
UNITED STATES

[74] WENPING & CO

1701 Tung Wai Commercial Building,

111 Gloucester Road,

HONG KONG



[11] 1913922.1M003

[15] 10-06-2019

[30] 10-12-2018 / US / 29/672,819

[51] Cl. 8-05

[54] 手提散佈機

Hand-held spreader

[73] OMS INVESTMENTS, INC.

10250 Constellation Boulevard

Suite 2800, Los Angeles, CA

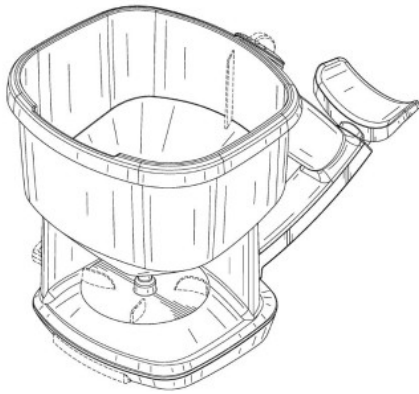
UNITED STATES

[74] WENPING & CO

1701 Tung Wai Commercial Building,

111 Gloucester Road,

HONG KONG



[11] 1913922.1M004

[15] 10-06-2019

[30] 10-12-2018 / US / 29/672,819

[51] Cl. 8-05

[54] 手提散佈機

Hand-held spreader

[73] OMS INVESTMENTS, INC.

10250 Constellation Boulevard

Suite 2800, Los Angeles, CA

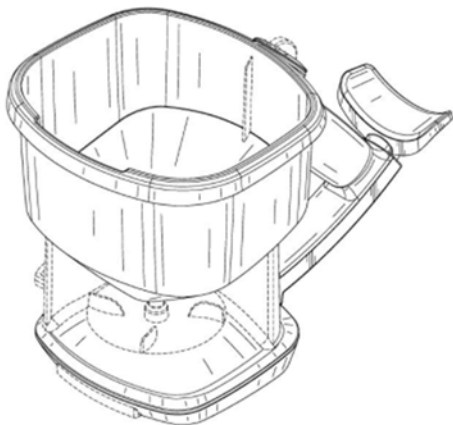
UNITED STATES

[74] WENPING & CO

1701 Tung Wai Commercial Building,

111 Gloucester Road,

HONG KONG



[11] 1913922.1M005

[15] 10-06-2019

[30] 10-12-2018 / US / 29/672,819

[51] Cl. 8-05

[54] 手提散佈機

Hand-held spreader

[73] OMS INVESTMENTS, INC.

10250 Constellation Boulevard

Suite 2800, Los Angeles, CA

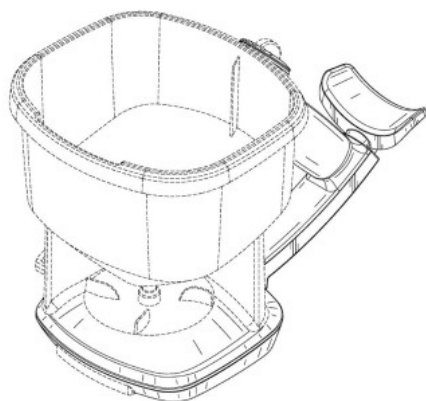
UNITED STATES

[74] WENPING & CO

1701 Tung Wai Commercial Building,

111 Gloucester Road,

HONG KONG



[11] 1913922.1M006

[15] 10-06-2019

[30] 10-12-2018 / US / 29/672,819

[51] Cl. 8-05

[54] 手提散佈機

Hand-held spreader

[73] OMS INVESTMENTS, INC.

10250 Constellation Boulevard

Suite 2800, Los Angeles, CA

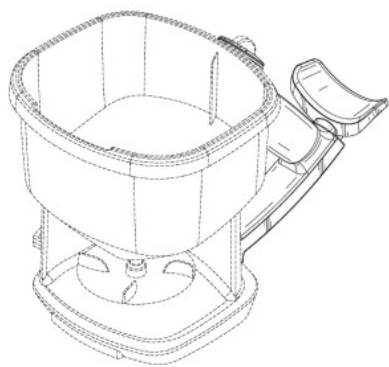
UNITED STATES

[74] WENPING & CO

1701 Tung Wai Commercial Building,

111 Gloucester Road,

HONG KONG



[11] 1913922.1M007

[15] 10-06-2019

[30] 10-12-2018 / US / 29/672,819

[51] Cl. 8-05

[54] 手提散佈機

Hand-held spreader

[73] OMS INVESTMENTS, INC.

10250 Constellation Boulevard

Suite 2800, Los Angeles, CA

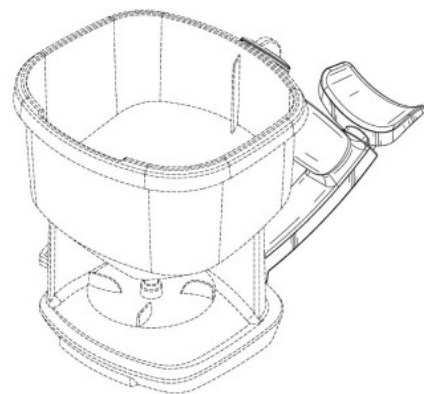
UNITED STATES

[74] WENPING & CO

1701 Tung Wai Commercial Building,

111 Gloucester Road,

HONG KONG



[11] 1913922.1M008

[15] 10-06-2019

[30] 10-12-2018 / US / 29/672,819

[51] Cl. 8-05

[54] 手提散佈機

Hand-held spreader

[73] OMS INVESTMENTS, INC.

10250 Constellation Boulevard

Suite 2800, Los Angeles, CA

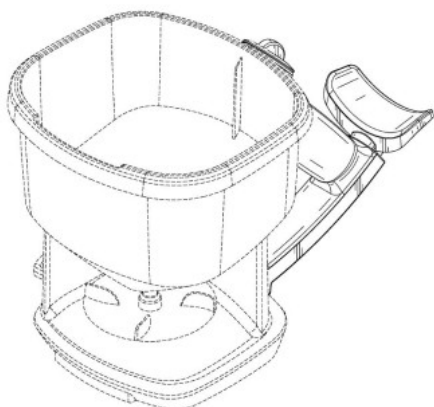
UNITED STATES

[74] WENPING & CO

1701 Tung Wai Commercial Building,

111 Gloucester Road,

HONG KONG



[11] 1913922.1M009

[15] 10-06-2019

[30] 10-12-2018 / US / 29/672,819

[51] Cl. 8-05

[54] 手提散佈機

Hand-held spreader

[73] OMS INVESTMENTS, INC.

10250 Constellation Boulevard

Suite 2800, Los Angeles, CA

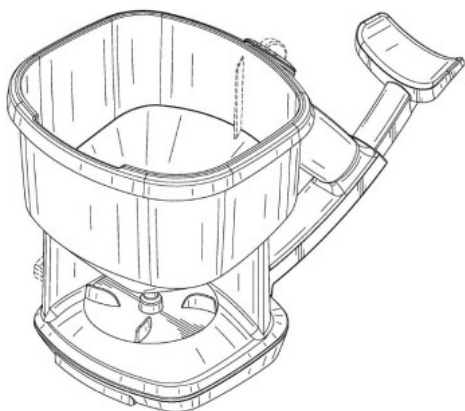
UNITED STATES

[74] WENPING & CO

1701 Tung Wai Commercial Building,

111 Gloucester Road,

HONG KONG



[11] 1913922.1M010

[15] 10-06-2019

[30] 10-12-2018 / US / 29/672,819

[51] Cl. 8-05

[54] 手提散佈機

Hand-held spreader

[73] OMS INVESTMENTS, INC.

10250 Constellation Boulevard

Suite 2800, Los Angeles, CA

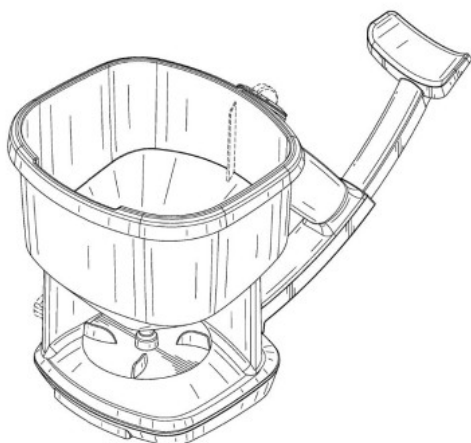
UNITED STATES

[74] WENPING & CO

1701 Tung Wai Commercial Building,

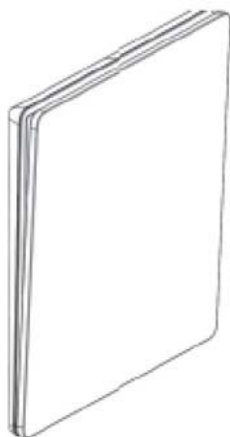
111 Gloucester Road,

HONG KONG



[11] 1913925.8M001

- [15] 10-06-2019
- [30] 10-12-2018 / CN / 201830713879.3
- [51] Cl. 13-03
- [54] 開關
Switch
- [73] SCHNEIDER ELECTRIC (AUSTRALIA) PTY LTD
78 WATERLOO ROAD,
MACQUARIE PARK, NSW 2113
AUSTRALIA
- [74] WENPING & CO
1701 Tung Wai Commercial Building,
111 Gloucester Road,
HONG KONG



-
- [11] 1913925.8M002
- [15] 10-06-2019
- [30] 10-12-2018 / CN / 201830713879.3
- [51] Cl. 13-03
- [54] 開關
Switch
- [73] SCHNEIDER ELECTRIC (AUSTRALIA) PTY LTD
78 WATERLOO ROAD,
MACQUARIE PARK, NSW 2113
AUSTRALIA
- [74] WENPING & CO
1701 Tung Wai Commercial Building,
111 Gloucester Road,
HONG KONG



[11] 1913925.8M003

[15] 10-06-2019

[30] 10-12-2018 / CN / 201830713879.3

[51] Cl. 13-03

[54] 開關

Switch

[73] SCHNEIDER ELECTRIC (AUSTRALIA) PTY LTD
78 WATERLOO ROAD,
MACQUARIE PARK, NSW 2113
AUSTRALIA

[74] WENPING & CO
1701 Tung Wai Commercial Building,
111 Gloucester Road,
HONG KONG



[11] 1913925.8M004

[15] 10-06-2019

[30] 10-12-2018 / CN / 201830713879.3

[51] Cl. 13-03

[54] 開關

Switch

[73] SCHNEIDER ELECTRIC (AUSTRALIA) PTY LTD

78 WATERLOO ROAD,

MACQUARIE PARK, NSW 2113

AUSTRALIA

[74] WENPING & CO

1701 Tung Wai Commercial Building,

111 Gloucester Road,

HONG KONG



[11] 1913926.0

[15] 11-06-2019

[51] Cl. 25-02

[54] 水馬

Water barrier

[73] 順路交通科技(廣東)有限公司

Shunlu Traffic Technology (Guangdong) Co., Limited

Room 102, 671 Guangshan Fourth Road, Huangpu District,

GuangZhou

CHINA

[74] HONG KONG INTELLECTUAL PROPERTY ADVISORY SERVICE LIMITED

UNIT 1701, 17/F., EW INTERNATIONAL TOWER,

120 TEXACO ROAD, TSUEN WAN, NEW TERRITORIES,

HONG KONG



[11] 1913927.2

[15] 11-06-2019

[30] 12-12-2018 / EU / 005886710

[51] Cl. 6-09

[54] 墊

Cushion

[73] Birkenstock Sales GmbH

Rheinstraße 10

53560 Vettelschoss

GERMANY

[74] DEACONS

5th Floor, Alexandra House

Central

HONG KONG



[11] 1913928.4

[15] 11-06-2019

[51] Cl. 11-01

[54] 手鐲

Bracelet

[73] 老鋪黃金(香港)有限公司
LAO PU (HONG KONG) COMPANY LIMITED
Room 801-2, 8/F, Easey Commercial Building,
253-261 Hennessy Road, Wanchai,
HONG KONG

[74] SF LAWYERS
UNIT 1125-1127, PRINCE'S BUILDING,
10 CHATER ROAD, CENTRAL,
HONG KONG



[11] 1913929.6

[15] 11-06-2019

[51] Cl. 11-01

[54] 吊墜

Pendant

[73] 老鋪黃金(香港)有限公司
LAO PU (HONG KONG) COMPANY LIMITED
Room 801-2, 8/F, Easey Commercial Building,
253-261 Hennessy Road, Wanchai,
HONG KONG

[74] SF LAWYERS
UNIT 1125-1127, PRINCE'S BUILDING,
10 CHATER ROAD, CENTRAL,
HONG KONG





香港特別行政區政府知識產權署外觀設計註冊處

The Government of the Hong Kong Special Administrative Region

Designs Registry, Intellectual Property Department

根據註冊外觀設計條例第 28 條，下列註冊外觀設計因未繳續期費而停止有效。各組記項按註冊外觀設計停止有效日期及註冊編號先後次序排列。

Registered designs ceased through non-payment of renewal fees under section 28 of the Registered Designs Ordinance. Entries are listed below under their expiry dates.

24-10-2019 - 30-10-2019

24-10-2019	1402027.5
0412442.4	1402030.1
0412443.6	1402032.5
	9911453.0M001

26-10-2019

0901797.9
0901799.3
1402010.9
1402012.3M001
1402012.3M002

29-10-2019

0901812.2
0901815.9
0901816.1
0901820.9
1402034.9

27-10-2019

0412461.4
0412466.5M001
0412466.5M002
0412470.3M001
1402013.5
1402014.7M001
1402014.7M002
1402014.7M003

1402035.2
1402036.4
1402037.6
1402038.8
1402040.2
1402041.4
1402042.6

1402016.2
1402017.4
1402020.0M001
1402020.0M002
1402021.2
1402023.6
9911443.9
9911444.1
9911445.4

30-10-2019

1402044.0
1402045.3
1402046.5
1402048.9

28-10-2019

0412472.7
1402025.1
1402026.3



香港特別行政區政府知識產權署外觀設計註冊處

The Government of the Hong Kong Special Administrative Region

Designs Registry, Intellectual Property Department

根據註冊外觀設計規則第 31 條刪除的註冊外觀設計。各組記項按註冊外觀設計 刪除日期及註冊編號先後次序排列。

Registered designs removed under section 31 of the Registered Designs Rules. Entries are listed below under their removal dates.

01-11-2019 - 06-11-2019

01-11-2019	1400771.0M002	1400802.7
1400762.1	1400772.2	
1400763.3	1400773.4	06-11-2019
1400767.2M001	1400774.6	0410921.9
1400767.2M002	1400777.3	1400805.4
1400767.2M003	1400778.5	1400808.0
1400768.4	1400779.7M001	1400809.2
1400769.6	1400779.7M002	1400810.4
1400770.8	1400779.7M003	1400811.6
	1400781.1M003	1400812.8
02-11-2019	1400785.0	1400813.0
9910488.3	1400786.2	1400814.2
	1400787.4	1400815.5
03-11-2019	1400788.6	1400816.7
0410888.8	1400789.8	1400817.9
0900674.7	1400790.0	1400818.1M001
0900676.2M001	1400791.2	1400818.1M002
0900676.2M002	1400792.4	1400818.1M003
0900676.2M003	1400793.6	
0900680.0M001	1400794.8	
0900680.0M002	1400795.1	
1000794.4	1400796.3	
	1400797.5M001	
04-11-2019	1400797.5M002	
0410912.0	1400798.7	
0410913.2		
0410914.4	05-11-2019	
0900685.1	0900693.7M001	
0900686.3M003	0900693.7M002	
0900686.3M004	0900693.7M004	
0900686.3M007	0900693.7M005	
0900686.3M008	0900693.7M006	
0900686.3M009	1400799.9	
1400771.0M001	1400800.3	



香港特別行政區政府知識產權署外觀設計註冊處

The Government of the Hong Kong Special Administrative Region

Designs Registry, Intellectual Property Department

根據註冊外觀設計條例第76條，更正已提交文件中的錯誤

Correction of errors in filed documents under section 76 of the Registered Designs Ordinance

任何人士現可對下列更正錯誤的請求提出反對

Requests for correction of errors now open to opposition

如任何人士意欲反對下列請求，則須在本官方公報刊登是項更正請求的日期起計的兩個月內，根據註冊外觀設計規則第62(4)條，採用指明外觀設計表格第D9號提交反對通知。如在限期內沒有收到任何反對通知，處長將依本公報刊登的更正請求的內容，准許是項更正請求。

If any person wishes to oppose the following request, he shall file a notice of opposition in specified Designs Form D9 within two months from the date of advertisement in this official journal under section 62(4) of the Registered Designs Rules. If no notice of opposition is received, the request for correction will be allowed by the Registrar in the present advertised form.

請求更正表述的錯誤

Request made for correction of errors in representations

[21] 1913909.4M001

[55] Representations of the design

[21] 1913909.4M002

[55] Representations of the design