

香港知識產權公報

Hong Kong Intellectual Property Journal

2019 年 8 月 23 日

23 August 2019

目錄

Contents

根據註冊外觀設計條例第 25 條註冊的外觀設計

Designs Registered under section 25 of the Registered Designs Ordinance

[按註冊編號排列](#)

[Arranged by Registration Number](#)

根據註冊外觀設計條例(第 522 章)公布的其他公告

Other Notices Published under the Registered Designs Ordinance (Cap. 522)

[根據註冊外觀設計條例第 28 條, 註冊外觀設計因未繳續期費而停止有效](#)

[Registered designs ceased through non-payment of renewal fees under section 28 of the Registered Designs Ordinance](#)

[根據註冊外觀設計規則第 31 條刪除的註冊外觀設計](#)

[Registered designs removed under section 31 of the Registered Designs Rules](#)

[勘誤](#)

[Corrigendum](#)

以下事項沒有記錄

No Records for the Following Matters

[根據註冊外觀設計條例第 30 條放棄的外觀設計的註冊](#)

[Surrender of Registration of Design under section 30 of the Registered Designs Ordinance](#)

[根據註冊外觀設計規則第 37 條, 向處長作出轉介](#)

[Reference to Registrar under section 37 of the Registered Designs Rules](#)

[根據註冊外觀設計條例第 45 條, 撤銷註冊](#)

[Revocation of Registration under section 45 of the Registered Designs Ordinance](#)

根據註冊外觀設計規則第 46 條，向法院作出轉介
Reference to Court under section 46 of the Registered Designs Rules

根據註冊外觀設計規則第 63 條對不符合規定之處作出糾正
Rectification of Irregularities under section 63 of the Registered Designs Rules

根據註冊外觀設計條例第 66 條，糾正註冊紀錄冊
Rectification of Register under section 66 of the Registered Designs Ordinance

根據註冊外觀設計條例第 67 條，更正註冊紀錄冊內的錯誤
Correction of Errors in Register under section 67 of the Registered Designs Ordinance

根據註冊外觀設計條例第 67 及 76 條，更正註冊紀錄冊內及已提交文件中的錯誤
Correction of Errors in Register and in Filed Documents under sections
67 and 76 of the Registered Designs Ordinance

根據註冊外觀設計條例第 76 條，更正已提交文件中的錯誤
Correction of Errors in Filed Documents under section 76 of the Registered Designs
Ordinance

註冊外觀設計公告註釋

Notes on advertisements of registration of designs

方括號表示下列資料：

Square brackets indicate the following data：

[11] 註冊編號 Registration number / 聯合王國註冊編號 United Kingdom registration number

[15] 註冊日期 Registration date / 當作註冊日期 Deemed registration date / 聯合王國註冊日期 United Kingdom registration date

[17] 註冊有效期屆滿日期 Expiry date of the period of registration

[22] 提交日期 Filing date / 當作提交日期 Deemed filing date / 聯合王國提交日期 United Kingdom filing date

[30] 聲稱享有的優先權 (提交日期 / 巴黎公約國或世界貿易組織成員 / 申請編號) Priority claimed (filing date / Paris Convention country or WTO member / application number)

[51] 國際外觀設計分類號 (洛迦諾分類號) International Classification of designs (Locarno Classification)

[54] 物品 Article

[55] 外觀設計的表述 Representation of the design

[62] 分開前的申請編號及提交日期 Application number before division and filing date

[66] 過往註冊的聯繫外觀設計註冊編號 / 日期 Registration No. / Date of Previous Registration for Association

[72] 設計人 Designer

[73] 擁有人姓名和地址 Name and address of the owner

[74] 代理人 Agent / 送達地址 Address for service



香港特別行政區政府知識產權署外觀設計註冊處

The Government of the Hong Kong Special Administrative Region

Designs Registry, Intellectual Property Department

根據註冊外觀設計條例第 25 條註冊的外觀設計

Designs registered under section 25 of the Registered Designs Ordinance

按註冊編號排列

Arranged by Registration Number

[11] 1701635.7M001

[15] 21-08-2017

[30] 22-03-2017 / US / 29/597,989

[51] Cl. 11-01

[54] 寶石

Precious stone

[73] ECNA 有限責任公司

ECNA LLC

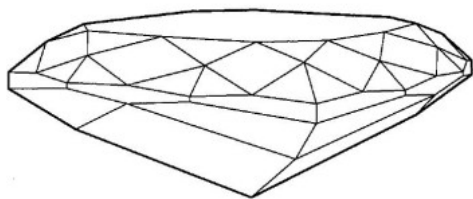
19 West Woods Road, Great Neck,
New York 11020 (United States).

[74] JEAC I.P. AGENT COMPANY

Rm. 1522 Nan Fung Centre,

264-298 Castle Peak Road,

Tsuen Wan, N.T., Hong Kong



[11] 1701635.7M002

[15] 21-08-2017

[30] 22-03-2017 / US / 29/597,989

[51] Cl. 11-01

[54] 寶石

Precious stone

[73] ECNA 有限責任公司

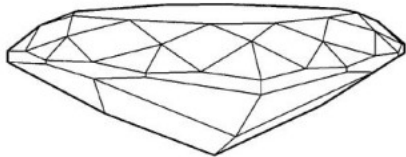
ECNA LLC

19 West Woods Road, Great Neck,

New York 11020

United States

- [74] JEAC I.P. AGENT COMPANY
Rm. 1522 Nan Fung Centre,
264-298 Castle Peak Road,
Tsuen Wan, N.T., Hong Kong



-
- [11] 1802067.3
[15] 15-10-2018
[30] 21-08-2018 / EM / 005615325-0001
[51] Cl. 14-05
[54] USB 快閃存儲裝置
USB flash drives
[73] FLASHBAY ELECTRONICS HONG KONG LTD
Unit B, 29/F Morrison Plaza,
9 Morrison Hill Road,
Hong Kong
[74] Accolade IP Limited
Room 702, 7/F.,
Fu Fai Commercial Centre,
27 Hillier Street, Hong Kong.



-
- [11] 1802118.2
[15] 25-10-2018

[30] 27-04-2018 / KR / 30-2018-0020045

[51] Cl. 14-06

[54] 智能電話支架

Support for smart phone

[73] 尹汝新

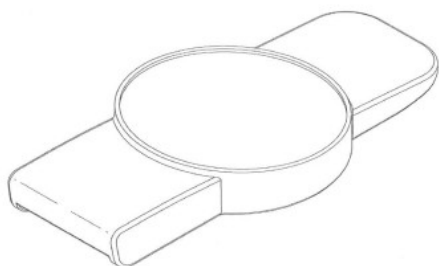
YOON, Yeo-Sin

201, 25-5, Geumnanghwa-ro 24ga-gil, Gangseo-gu, Seoul, 07512

KOREA, REPUBLIC OF

[74] SIT FUNG KWONG & SHUM

9th Floor, York House, The Landmark, 15 Queen's Road Central,
Hong Kong.



[11] 1802256.4

[15] 20-11-2018

[30] 24-05-2018 / FR / 2018-2462

[51] Cl. 3-01

[54] 袋

Bag

[73] LOUIS VUITTON MALLETIER

2, rue du Pont-Neuf 75001 Paris,

FRANCE

[74] BAKER & MCKENZIE

14th Floor, One Taikoo Place

979 King's Road, Quarry Bay

HONG KONG



[11] 1802318.6

[15] 27-11-2018

[30] 29-05-2018 / CN / 201830258402.0

[51] Cl. 14-04

[54] 用於通訊設備的圖形用戶界面

Communication device with graphical user interface

[73] 北京京東尚科信息技術有限公司

Beijing JingDong ShangKe Information Technology Co., Ltd.

The western 1-4th floors & the eastern 1-4th floors, Building
No.11,

the fourth district of West Cedar Creative Park,

Xingshikou Road No.65, Haidian District, Beijing 100195, CHINA

北京京東世紀貿易有限公司

Beijing Jingdong Century Trading Co., Ltd.

Room 201, 2/F, Block C, No.18 Kechuang 11 Street,

Economic and Technological Development Zone,

Beijing 100176, CHINA

[74] MARKS & CLERK

Level 9, Cyberport 1,

100 Cyberport Road,

Pok Fu Lam, Hong Kong.



[11] 1802322.4M001

[15] 27-11-2018

[30] 29-10-2018 / US / 29668159

[51] Cl. 14-99

[54] 顯示器支架

Monitor support

[73] Humanscale Corporation

11 E. 26th Street, 8th Floor,

New York 10010,

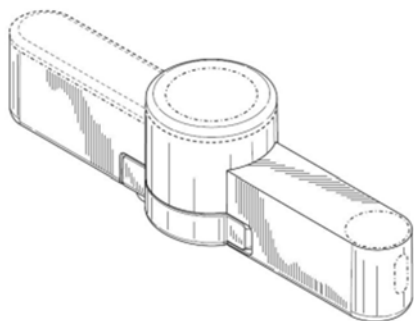
UNITED STATES

[74] NTD Patent & Trade Mark Agency Ltd.

Units 1805-6, 18/F., Greenfield Tower, Concordia Plaza,

No.1 Science Museum Road, Tsimshatsui East,

Kowloon, Hong Kong.



[11] 1802322.4M002

[15] 27-11-2018

[30] 29-10-2018 / US / 29668160

[51] Cl. 14-99

[54] 顯示器支架

Monitor support

[73] Humanscale Corporation

11 E. 26th Street, 8th Floor,

New York 10010,

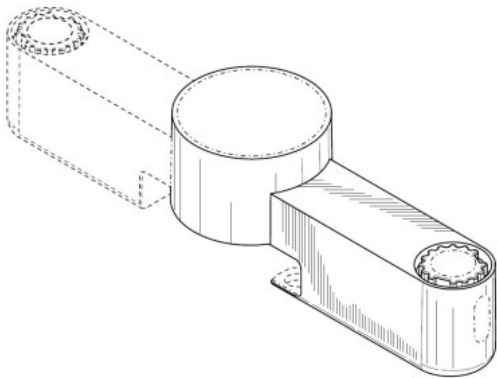
UNITED STATES

[74] NTD Patent & Trade Mark Agency Ltd.

Units 1805-6, 18/F., Greenfield Tower, Concordia Plaza,

No.1 Science Museum Road, Tsimshatsui East,

Kowloon, Hong Kong.



[11] 1802322.4M003

[15] 27-11-2018

[30] 29-10-2018 / US / 29668159

[51] Cl. 14-99

[54] 顯示器支架

Monitor support

[73] Humanscale Corporation

11 E. 26th Street, 8th Floor,

New York 10010,

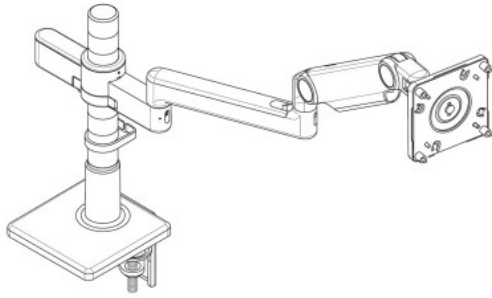
UNITED STATES

[74] NTD Patent & Trade Mark Agency Ltd.

Units 1805-6, 18/F., Greenfield Tower, Concordia Plaza,

No.1 Science Museum Road, Tsimshatsui East,

Kowloon, Hong Kong.



[11] 1802322.4M004

[15] 27-11-2018

[30] 29-10-2018 / US / 29668159

[51] Cl. 14-99

[54] 顯示器支架

Monitor support

[73] Humanscale Corporation

11 E. 26th Street, 8th Floor,

New York 10010,

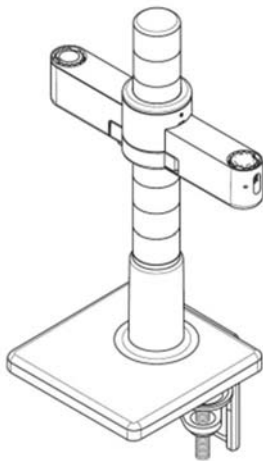
UNITED STATES

[74] NTD Patent & Trade Mark Agency Ltd.

Units 1805-6, 18/F., Greenfield Tower, Concordia Plaza,

No.1 Science Museum Road, Tsimshatsui East,

Kowloon, Hong Kong.



[11] 1802447.9M001

[15] 12-12-2018

[51] Cl. 21-01

[54] 遊戲台

Game housing

[73] 4M Industrial Development Limited

Suite 2104-7, Shui On Centre,
6-8 Harbour Road,
Wanchai, Hong Kong

[74] Deacons

5th Floor,
Alexandra House,
Central, Hong Kong.



[11] 1802447.9M002

[15] 12-12-2018

[51] Cl. 21-01

[54] 棋子

Token

[73] 4M Industrial Development Limited

Suite 2104-7, Shui On Centre,
6-8 Harbour Road,
Wanchai, Hong Kong

[74] Deacons

5th Floor,
Alexandra House, Central, Hong Kong.



[11] 1802447.9M003

[15] 12-12-2018

[51] Cl. 21-01

[54] 卡牌

Cards

[73] 4M Industrial Development Limited

Suite 2104-7, Shui On Centre,

6-8 Harbour Road,

Wanchai, Hong Kong

[74] Deacons

5th Floor,

Alexandra House, Central, Hong Kong.



[11] 1802447.9M004

[15] 12-12-2018

[51] Cl. 21-01

[54] 遊戲卡牌

Game housing

[73] 4M Industrial Development Limited

Suite 2104-7, Shui On Centre,

6-8 Harbour Road,

Wanchai, Hong Kong

[74] Deacons

5th Floor,

Alexandra House, Central, Hong Kong.



[11] 1802447.9M005

[15] 12-12-2018

[51] Cl. 21-01

[54] 遊戲卡牌

Playing cards

[73] 4M Industrial Development Limited

Suite 2104-7, Shui On Centre,

6-8 Harbour Road,

Wanchai, Hong Kong

[74] Deacons

5th Floor,

Alexandra House, Central, Hong Kong.



[11] 1802459.4M001

[15] 13-12-2018

[30] 23-11-2018 / EM / 005833563-0003

[51] Cl. 7-04

[54] 壓蒜器

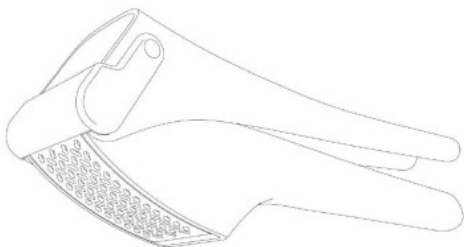
Garlic press

[73] GEFU-Küchenboss GmbH & Co. KG

Braukweg 28,
D-59889 Eslohe,
GERMANY

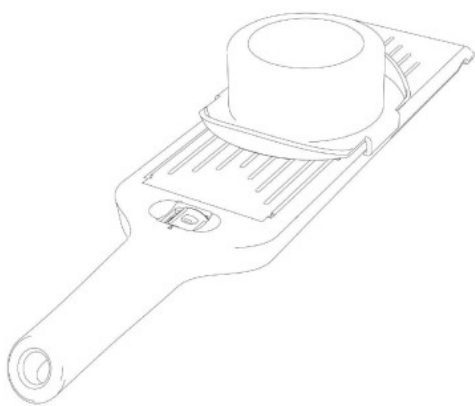
[74] Wilkinson & Grist

6th Floor, Prince's Building,
Chater Road,
Hong Kong.

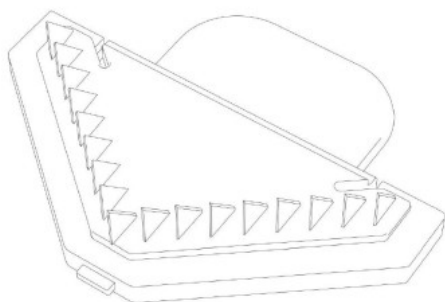


[11] 1802459.4M002

- [15] 13-12-2018
[30] 23-11-2018 / EM / 005833563-0017
[51] Cl. 7-04
[54] 刨刀
Slicer
[73] GEFU-Küchenboss GmbH & Co. KG
Braukweg 28,
D-59889 Eslohe,
GERMANY
[74] Wilkinson & Grist
6th Floor, Prince's Building,
Chater Road,
Hong Kong.



-
- [11] 1802459.4M003
[15] 13-12-2018
[30] 23-11-2018 / EM / 005833563-0018
[51] Cl. 7-04
[54] 刨刀的刀片
Blade for slicer
[73] GEFU-Küchenboss GmbH & Co. KG
Braukweg 28,
D-59889 Eslohe,
GERMANY
[74] Wilkinson & Grist
6th Floor, Prince's Building,
Chater Road,
Hong Kong.



[11] 1802459.4M004

[15] 13-12-2018

[30] 23-11-2018 / EM / 005833563-0019

[51] Cl. 7-04

[54] 刨刀的刀片

Blade for slicer

[73] GEFU-Küchenboss GmbH & Co. KG

Braukweg 28,

D-59889 Eslohe,

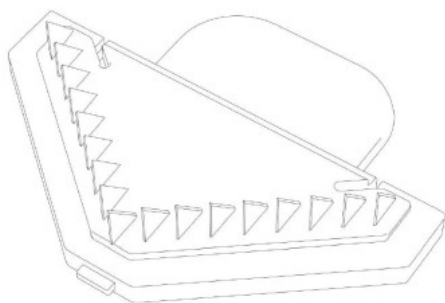
GERMANY

[74] Wilkinson & Grist

6th Floor, Prince's Building,

Chater Road,

Hong Kong.



[11] 1802483.4

[15] 18-12-2018

[30] 28-06-2018 / CN / 201830339410.8

[51] Cl. 28-03

[54] 眼部按摩器

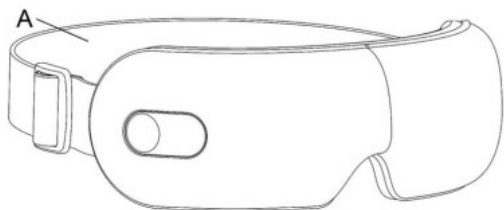
Eye massager

[73] 深圳市倍輕鬆科技股份有限公司

中國內地廣東省深圳市

南山區創業路 1777 號
海信南方大廈 19 樓

- [74] 中一聯合國際知識產權有限公司
香港九龍尖沙咀
漆咸道南 45-51 號
其士大廈 803 室



[11] 1900097.5M001

[15] 15-01-2019

[51] Cl. 9-03

[54] 化妝品容器

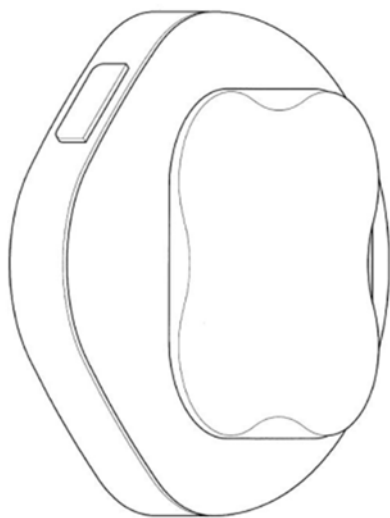
Container of cosmetics

[73] Zero to Seven Inc.

(SANGAM-DONG, YTN-NEWSQUARE) 17F/18F. 76,
Sangamsan-ro, Mapo-gu, Seoul,
Korea, Republic of

[74] Stephenson Harwood

18th Floor, United Centre
95 Queensway
Hong Kong



[11] 1900097.5M002

[15] 15-01-2019

[51] Cl. 9-01

[54] 化妝品容器

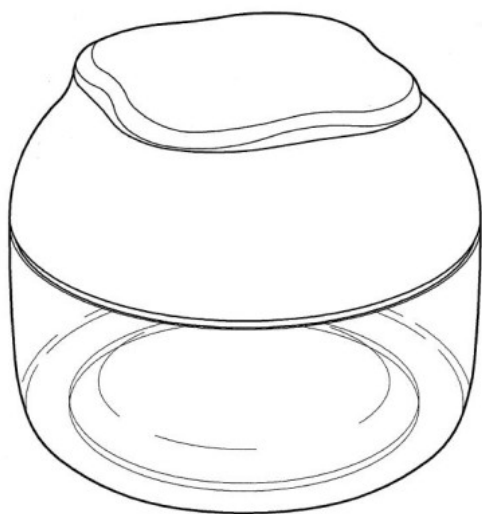
Container of cosmetics

[73] Zero to Seven Inc.

(SANGAM-DONG, YTN-NEWSQUARE) 17F/18F. 76, Sangamsan-ro, Mapo-gu, Seoul, Korea, Republic of

[74] Stephenson Harwood

18th Floor, United Centre 95 Queensway Hong Kong



[11] 1900097.5M003

[15] 15-01-2019

[51] Cl. 9-01

[54] 化妝品容器

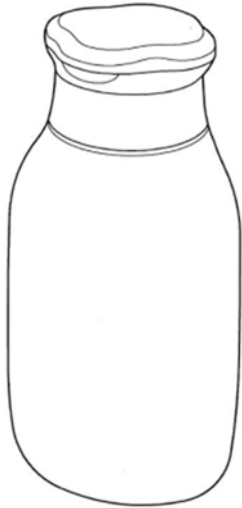
Container of cosmetics

[73] Zero to Seven Inc.

(SANGAM-DONG, YTN-NEWSQUARE) 17F/18F. 76, Sangamsan-ro, Mapo-gu, Seoul, Korea, Republic of

[74] Stephenson Harwood

18th Floor, United Centre 95 Queensway Hong Kong



[11] 1900097.5M004

[15] 15-01-2019

[51] Cl. 9-01

[54] 化妝品容器

Container of cosmetics

[73] Zero to Seven Inc.

(SANGAM-DONG, YTN-NEWSQUARE) 17F/18F. 76, Sangamsan-ro, Mapo-gu, Seoul, Korea, Republic of

[74] Stephenson Harwood

18th Floor, United Centre 95 Queensway Hong Kong



[11] 1900097.5M005

[15] 15-01-2019

[51] Cl. 9-07

[54] 濕紙巾用的蓋

Cap for wipes

[73] Zero to Seven Inc.

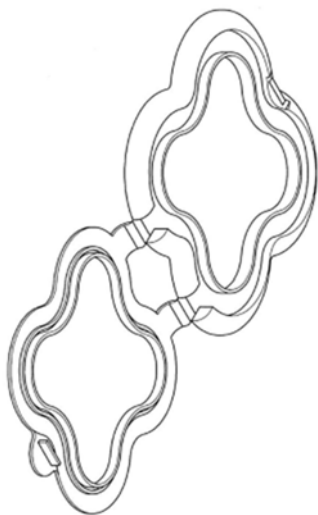
(SANGAM-DONG, YTN-NEWSQUARE) 17F/18F. 76, Sangamsan-ro, Mapo-gu, Seoul, Korea, Republic of

[74] Stephenson Harwood

18th Floor, United Centre

95 Queensway

Hong Kong



[11] 1900099.9

[15] 16-01-2019

[51] Cl. 25-01

[54] 不銹鋼盲導標示

Stainless steel tactile

[73] 加藍誘導標示有限公司

香港北角

英皇道 89 號

桂洪集團中心 2802 室

[74] 加藍誘導標示有限公司

香港北角

英皇道 89 號

桂洪集團中心 2802 室



[11] 1900177.5

[15] 25-01-2019

[51] Cl. 25-01

[54] 不鏽鋼盲導標示

Stainless steel tactile

[73] 加藍誘導標示有限公司

香港北角

英皇道 89 號

桂洪集團中心 2802 室

[74] 加藍誘導標示有限公司

香港北角

英皇道 89 號

桂洪集團中心 2802 室



[11] 1900220.7

[15] 31-01-2019

[51] Cl. 28-02

[54] 唇膏容器

Lipstick container

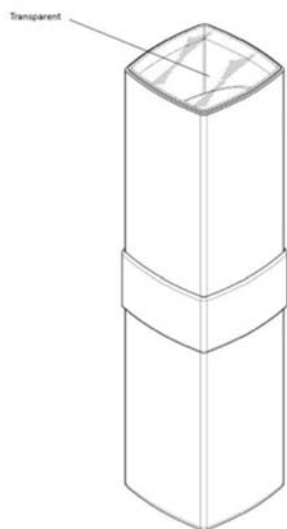
[73] CHANEL

135, avenue Charles de Gaulle,

92200 Neuilly-sur-Seine,

FRANCE

- [74] Wilkinson & Grist
6th Floor, Prince's Building,
Chater Road,
Hong Kong.



[11] 1900245.0M001

[15] 01-02-2019

[30] 30-08-2018 / EU, AL, MA, NO, OM, SG, CH, TN, UA, TR / DM/102
700

[51] Cl. 10-02

[54] 錶

Watch

[73] SWATCH AG (SWATCH SA) (SWATCH LTD.)

Jakob-Stämpfli-Strasse 94,

CH-2502 Biel/Bienne,

SWITZERLAND

[74] Spruson & Ferguson (Hong Kong) Limited

5001 Hopewell Centre,

183 Queen's Road East,

Hong Kong.



[11] 1900245.0M002

[15] 01-02-2019

[30] 30-08-2018 / EU, AL, MA, NO, OM, SG, CH, TN, UA, TR / DM/102
700

[51] Cl. 10-02

[54] 手錶

Wristwatch

[73] SWATCH AG (SWATCH SA) (SWATCH LTD.)

Jakob-Stämpfli-Strasse 94,

CH-2502 Biel/Bienne,

SWITZERLAND

[74] Spruson & Ferguson (Hong Kong) Limited

5001 Hopewell Centre,

183 Queen's Road East,

Hong Kong.



[11] 1900245.0M003

[15] 01-02-2019

[30] 30-08-2018 / EU, AL, MA, NO, OM, SG, CH, TN, UA, TR / DM/102
700

[51] Cl. 10-02

[54] 手錶

Wristwatch

[73] SWATCH AG (SWATCH SA) (SWATCH LTD.)

Jakob-Stämpfli-Strasse 94,

CH-2502 Biel/Bienne,

SWITZERLAND

[74] Spruson & Ferguson (Hong Kong) Limited

5001 Hopewell Centre,

183 Queen's Road East,

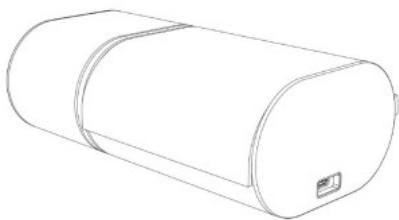
Hong Kong.



- [11] 1913110.9
[15] 28-02-2019
[30] 04-09-2018 / JP / 2018 of 019270
[51] Cl. 3-01
[54] 包
Bag
[73] 株式会社玛娜
MARNA INC.
1-3-15 Higashikomagata,
Sumida-ku, Tokyo 130-0005,
JAPAN
[74] HONG KONG PATENT & TRADEMARK AGENT LIMITED
UNIT 10A, GRAND SCHOLAR BUILDING,
NO. 419K QUEEN'S ROAD WEST,
HONG KONG



-
- [11] 1913113.5
[15] 28-02-2019
[30] 22-02-2019 / EU, CH, GB, US / WIPO79973
[51] Cl. 10-07
[54] 旅行收藏盒包括腕錶上鍊錶盒
Travel case including a watch winder
[73] Xavier Castelli
Rue De-Beaumont 4
1206 Geneva
SWITZERLAND
[74] IPMS CONSULTANTS LIMITED
UNIT 2004B, 20/F, TOWER 5, CHINA HONG KONG CITY,
33 CANTON ROAD, TSIM SHA TSUI, KOWLOON, HONG KONG



[11] 1913116.2

[15] 01-03-2019

[30] 14-09-2018 / US / 29/663,426

[51] Cl. 16-01

[54] 照相機

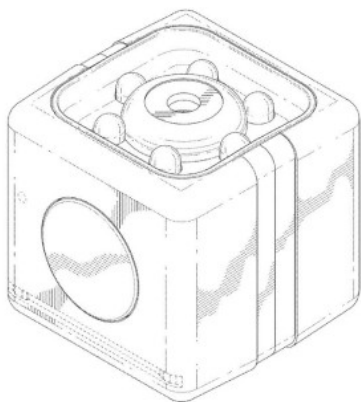
CAMERA

[73] DaVinci II CSJ, LLC

79 Two Bridges Road, Fairfield, New Jersey 07004,
UNITED STATES

[74] SPRUSON & FERGUSON (HONG KONG) LIMITED

5001 Hopewell Centre
183 Queen's Road East, Wan Chai
HONG KONG



[11] 1913117.4

[15] 01-03-2019

[51] Cl. 2-02

[54] 褲子

Push up pants

[73] 廣州市安竹貿易有限公司

N/A

中國內地 廣東省廣州市
增城區

新塘鎮匯美匯景北路 12 號首層

- [74] 鼎合誠國際知識產權代理有限公司
香港
新界上水 天平村天喜
樓 2717 室



[11] 1913122.4

[15] 04-03-2019

[51] Cl. 13-03

[54] 插座箱蓋

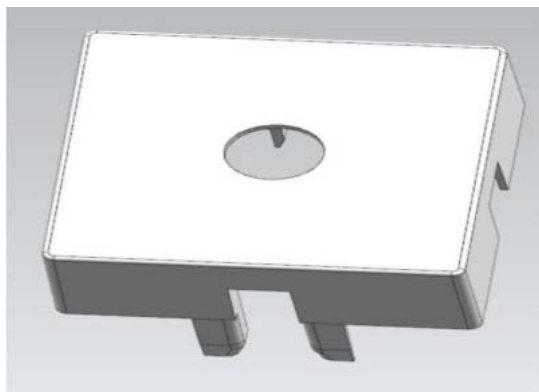
Socket box cover

[73] 星美工程有限公司

SING MEI COMPANY LIMITED
UNIT 3, 3/F, KIN WING IND BLDG,
NO 33 KIN WING ST, TUEN WAN, NT
HONG KONG

[74] CONPAK INTELLECTUAL PROPERTY LIMITED

Rooms 05-15, 13A/F, South Tower, World Finance Centre, Harbour
City,
17 Canton Road, Tsim Sha Tsui, Kowloon
HONG KONG



[11] 1913123.6M001

[15] 04-03-2019

[51] Cl. 4-02

[54] 牙刷

Toothbrush

[73] 好維股份有限公司

Hawley & Hazel (BVI) Co. Ltd.
Trident Chambers, P. O. Box 146,
Road Town, Tortola
VIRGIN ISLANDS, BRITISH

[74] BAKER & MCKENZIE

14th Floor, One Taikoo Place
979 King's Road, Quarry Bay
HONG KONG



[11] 1913123.6M002

[15] 04-03-2019

[51] Cl. 4-02

[54] 牙刷

Toothbrush

[73] 好維股份有限公司

Hawley & Hazel (BVI) Co. Ltd.
Trident Chambers, P. O. Box 146,
Road Town, Tortola
VIRGIN ISLANDS, BRITISH

[74] BAKER & MCKENZIE

14th Floor, One Taikoo Place
979 King's Road, Quarry Bay
HONG KONG



[11] 1913125.1

[15] 04-03-2019

[51] Cl. 11-01

[54] 戒指

RING

[73] VAN CLEEF & ARPELS SA

Route des Biches 8

1752 Villars-sur-Glâne

SWITZERLAND

[74] WENPING & CO

1701 Tung Wai Commercial Building,

111 Gloucester Road,

HONG KONG



[11] 1913126.3

[15] 04-03-2019

[51] Cl. 11-01

[54] 手鐲

BRACELET

[73] VAN CLEEF & ARPELS SA

Route des Biches 8

1752 Villars-sur-Glâne

SWITZERLAND

[74] WENPING & CO

1701 Tung Wai Commercial Building,

111 Gloucester Road,

HONG KONG



[11] 1913128.7

[15] 04-03-2019

[51] Cl. 11-01

[54] 戒指

RING

[73] VAN CLEEF & ARPELS SA

Route des Biches 8

1752 Villars-sur-Glâne

SWITZERLAND

[74] WENPING & CO

1701 Tung Wai Commercial Building,

111 Gloucester Road,

HONG KONG



[11] 1913129.9

[15] 04-03-2019

[51] Cl. 11-01

[54] 戒指

RING

[73] VAN CLEEF & ARPELS SA

Route des Biches 8

1752 Villars-sur-Glâne

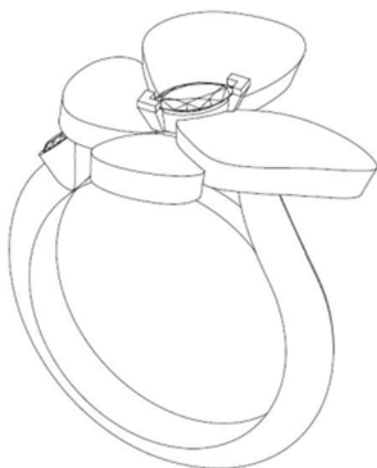
SWITZERLAND

[74] WENPING & CO

1701 Tung Wai Commercial Building,

111 Gloucester Road,

HONG KONG



[11] 1913133.7M001

[15] 05-03-2019

[30] 11-09-2018 / EU / 005636552-0001

[51] Cl. 7-02

[54] 電熱水壺

Electric kettle

[73] ZWILLING J.A. Henckels AG

Grünwalder Str. 14-22

42657 Solingen

GERMANY

[74] ROBIN BRIDGE & JOHN LIU

6th Floor, Emperor Commercial Centre,

39 Des Voeux Road Central,

HONG KONG



[11] 1913133.7M002

[15] 05-03-2019

[30] 11-09-2018 / EU / 005636552-0002

[51] Cl. 7-02

[54] 電熱水壺

Electric kettle

[73] ZWILLING J.A. Henckels AG

Grünwalder Str. 14-22

42657 Solingen

GERMANY

[74] ROBIN BRIDGE & JOHN LIU

6th Floor, Emperor Commercial Centre,

39 Des Voeux Road Central,

HONG KONG



[11] 1913133.7M003

[15] 05-03-2019

[30] 11-09-2018 / EU / 005636552-0004

[51] Cl. 7-02

[54] 多士爐

Toaster

[73] ZWILLING J.A. Henckels AG

Grünewalder Str. 14-22

42657 Solingen

GERMANY

[74] ROBIN BRIDGE & JOHN LIU

6th Floor, Emperor Commercial Centre,

39 Des Voeux Road Central,

HONG KONG



[11] 1913133.7M004

[15] 05-03-2019

[30] 11-09-2018 / EU / 005636552-0007

[51] Cl. 7-04

[54] 棒型攪拌器

Stick blender

[73] ZWILLING J.A. Henckels AG

Grünwalder Str. 14-22

42657 Solingen

GERMANY

[74] ROBIN BRIDGE & JOHN LIU

6th Floor, Emperor Commercial Centre,

39 Des Voeux Road Central,

HONG KONG



[11] 1913133.7M005

[15] 05-03-2019

[30] 11-09-2018 / EU / 005636552-0009

[51] Cl. 7-04

[54] 攪拌器

Blender

[73] ZWILLING J.A. Henckels AG

Grünwalder Str. 14-22

42657 Solingen

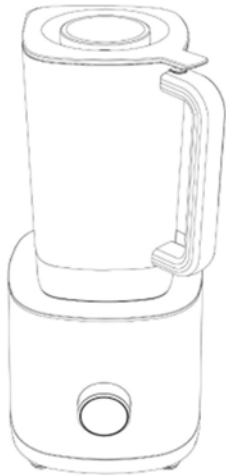
GERMANY

[74] ROBIN BRIDGE & JOHN LIU

6th Floor, Emperor Commercial Centre,

39 Des Voeux Road Central,

HONG KONG



[11] 1913133.7M006

[15] 05-03-2019

[30] 11-09-2018 / EU / 005636552-0013

[51] Cl. 7-04

[54] 攪拌器

Blender

[73] ZWILLING J.A. Henckels AG

Grünwalder Str. 14-22

42657 Solingen

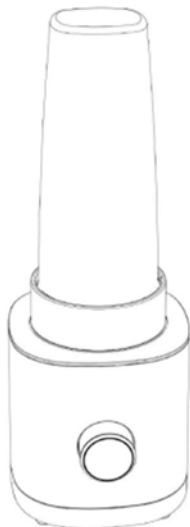
GERMANY

[74] ROBIN BRIDGE & JOHN LIU

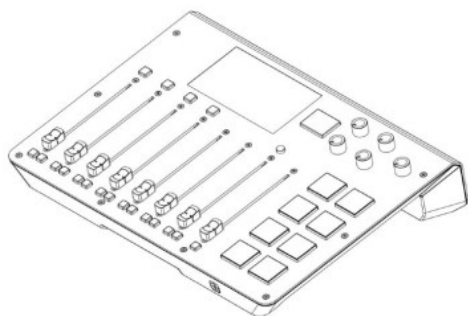
6th Floor, Emperor Commercial Centre,

39 Des Voeux Road Central,

HONG KONG



- [11] 1913134.9
[15] 05-03-2019
[30] 05-09-2018 / AU / 201815353
[51] Cl. 14-01
[54] 音頻混音臺
Audio Mixing Desk
[73] Freedman Electronics Pty Limited
107 Carnarvon Street
Silverwater NSW 2128
AUSTRALIA
[74] BARRON & YOUNG INTELLECTUAL PROPERTY LIMITED
Suite 617, Lakeside 2
No. 10 Science Park West Avenue, Hong Kong Science Park,
Shatin, N.T.
HONG KONG



-
- [11] 1913135.2M001
[15] 05-03-2019
[51] Cl. 9-01
[54] 370 毫升水樽
370ml Bottle
[73] A.S. Watson TM Limited
Vistra Corporate Services Centre, Wickhams Cay II, Road Town,
Tortola, VG1110, Virgin Islands, British
[74] Hutchison Whampoa Agents Limited
48th Floor, Cheung Kong Center,
2 Queen's Road Central,
Hong Kong



[11] 1913135.2M002

[15] 05-03-2019

[51] Cl. 9-01

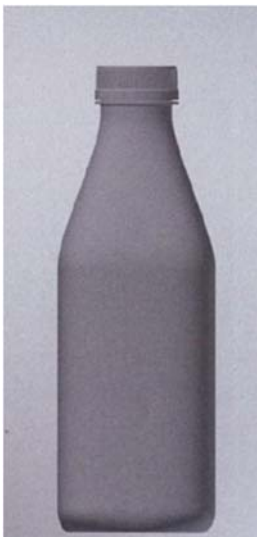
[54] 830 毫升水樽
830ml Bottle

[73] A.S. Watson TM Limited

Vistra Corporate Services Centre, Wickhams Cay II, Road Town,
Tortola, VG1110, Virgin Islands, British

[74] Hutchison Whampoa Agents Limited

48th Floor, Cheung Kong Center,
2 Queen's Road Central,
Hong Kong



[11] 1913136.4M001

[15] 05-03-2019

[51] Cl. 9-01

[54] 250 毫升水樽
250ml Bottle

[73] A S. Watson TM Limited
Vistra Corporate Services Centre, Wickhams Cay II, Road Town,
Tortola, VG1110, Virgin Islands, British

[74] Hutchison Whampoa Agents Limited
48th Floor, Cheung Kong Center,
2 Queen's Road Central,
Hong Kong



[11] 1913136.4M002

[15] 05-03-2019

[51] Cl. 9-01

[54] 430 毫升水樽
430ml Bottle

[73] A S. Watson TM Limited
Vistra Corporate Services Centre, Wickhams Cay II, Road Town,
Tortola, VG1110, Virgin Islands, British

[74] Hutchison Whampoa Agents Limited
48th Floor, Cheung Kong Center,
2 Queen's Road Central,
Hong Kong



[11] 1913136.4M003

[15] 05-03-2019

[51] Cl. 9-01

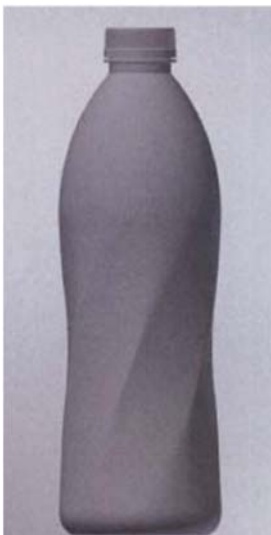
[54] 1300 毫升水樽
1300ml Bottle

[73] A S. Watson TM Limited

Vistra Corporate Services Centre, Wickhams Cay II, Road Town,
Tortola, VG1110, Virgin Islands, British

[74] Hutchison Whampoa Agents Limited

48th Floor, Cheung Kong Center,
2 Queen's Road Central,
Hong Kong



[11] 1913136.4M004

[15] 05-03-2019

[51] Cl. 9-01

[54] 1700 毫升水樽
1700ml Bottle

[73] A S. Watson TM Limited
Vistra Corporate Services Centre, Wickhams Cay II, Road Town,
Tortola, VG1110, Virgin Islands, British

[74] Hutchison Whampoa Agents Limited
48th Floor, Cheung Kong Center,
2 Queen's Road Central,
Hong Kong



[11] 1913137.6M001

[15] 05-03-2019

[30] 05-09-2018 / EM / 005629847-0001

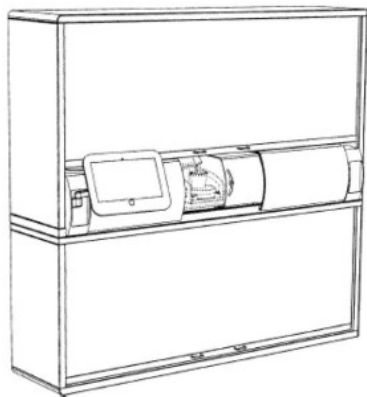
[51] Cl. 15-99

[54] 色彩分配機
Colour dispensing machine

[73] COROB S.P.A.
Via dell'Agricoltura, 3
1-41038 SAN FELICE SUL PANARO (Modena)
ITALY

PPG INDUSTRIES OHIO, INC.
3800 West 143rd Street
CLEVELAND, OHIO 44111
UNITED STATES

[74] WENPING & CO.
1701 Tung Wai Commercial Building,
111 Gloucester Road,
Hong Kong



[11] 1913137.6M002

[15] 05-03-2019

[30] 05-09-2018 / EM / 005629847-0002

[51] Cl. 15-99

[54] 色彩分配機

Colour dispensing machine

[73] COROB S.P.A.

Via dell'Agricoltura, 3

1-41038 SAN FELICE SUL PANARO (Modena)

ITALY

PPG INDUSTRIES OHIO, INC.

3800 West 143rd Street

CLEVELAND, OHIO 44111

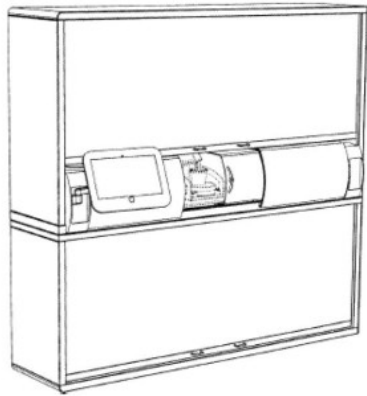
UNITED STATES

[74] WENPING & CO.

1701 Tung Wai Commercial Building,

111 Gloucester Road,

Hong Kong



[11] 1913137.6M003

[15] 05-03-2019

[30] 05-09-2018 / EM / 005629847-0003

[51] Cl. 15-99

[54] 色彩分配機

Colour dispensing machine

[73] COROB S.P.A.

Via dell'Agricoltura, 3

1-41038 SAN FELICE SUL PANARO (Modena)

ITALY

PPG INDUSTRIES OHIO, INC.

3800 West 143rd Street

CLEVELAND, OHIO 44111

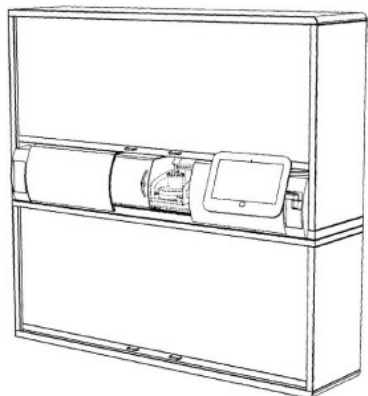
UNITED STATES

[74] WENPING & CO.

1701 Tung Wai Commercial Building,

111 Gloucester Road,

Hong Kong



[11] 1913137.6M004

[15] 05-03-2019

[30] 05-09-2018 / EM / 005629847-0004

[51] Cl. 15-99

[54] 色彩分配機

Colour dispensing machine

[73] COROB S.P.A.

Via dell'Agricoltura, 3

1-41038 SAN FELICE SUL PANARO (Modena)

ITALY

PPG INDUSTRIES OHIO, INC.

3800 West 143rd Street

CLEVELAND, OHIO 44111

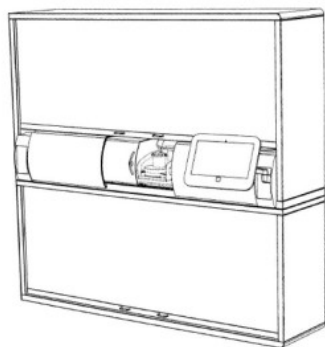
UNITED STATES

[74] WENPING & CO.

1701 Tung Wai Commercial Building,

111 Gloucester Road,

Hong Kong



[11] 1913138.8

[15] 05-03-2019

[30] 07-09-2018 / EU / 005633435-0001

[51] Cl. 4-02

[54] 髮刷

Hair Brush

[73] RICHARD WARD COUTURE STYLING LIMITED

47 Marylebone Lane, London W1U 2NT,
United Kingdom.

[74] VINCENT LUK & ASSOCIATES

Unit A, 13th Floor,
Nathan Commercial Building,
430 Nathan Road, Kowloon, Hong Kong.



[11] 1913139.0

[15] 06-03-2019

[51] Cl. 9-05

[54] 包裝用袋

Packaging Bag

[73] KRACIE HOME PRODUCTS, LTD.

20-20, Kaigan 3-chome, Minato-ku, 108-0022, Tokyo
JAPAN

[74] UNION PATENT SERVICE CENTRE

Units E-F, 20th Floor, Neich Tower,
128 Gloucester Road,
HONG KONG



[11] 1913140.2

[15] 06-03-2019

[51] Cl. 9-05

[54] 包裝用袋

Packaging Bag

[73] KRACIE HOME PRODUCTS, LTD.

20-20, Kaigan 3-chome, Minato-ku, 108-0022, Tokyo
JAPAN

[74] UNION PATENT SERVICE CENTRE

Units E-F, 20th Floor, Neich Tower,
128 Gloucester Road,
HONG KONG



[11] 1913141.4

[15] 06-03-2019

[51] Cl. 9-05

[54] 包裝用袋

Packaging Bag

[73] KRACIE HOME PRODUCTS, LTD.

20-20, Kaigan 3-chome, Minato-ku, 108-0022, Tokyo
JAPAN

[74] UNION PATENT SERVICE CENTRE

Units E-F, 20th Floor, Neich Tower,
128 Gloucester Road,
HONG KONG



[11] 1913142.6

[15] 06-03-2019

[51] Cl. 9-05

[54] 包裝用袋

Packaging Bag

[73] KRACIE HOME PRODUCTS, LTD.

20-20, Kaigan 3-chome, Minato-ku, 108-0022, Tokyo
JAPAN

[74] UNION PATENT SERVICE CENTRE

Units E-F, 20th Floor, Neich Tower,
128 Gloucester Road,
HONG KONG



[11] 1913143.8

[15] 06-03-2019

[51] Cl. 9-05

[54] 包裝用袋

Packaging Bag

[73] KRACIE HOME PRODUCTS, LTD.

20-20, Kaigan 3-chome, Minato-ku, 108-0022, Tokyo
JAPAN

[74] UNION PATENT SERVICE CENTRE

Units E-F, 20th Floor, Neich Tower,
128 Gloucester Road,
HONG KONG



[11] 1913144.0

[15] 06-03-2019

[51] Cl. 9-03

[54] 包裝用盒

Packaging Box

[73] KRACIE HOME PRODUCTS, LTD.

20-20, Kaigan 3-chome, Minato-ku, 108-0022, Tokyo
JAPAN

[74] UNION PATENT SERVICE CENTRE

Units E-F, 20th Floor, Neich Tower,
128 Gloucester Road,
HONG KONG



[11] 1913145.3

[15] 06-03-2019

[51] Cl. 9-05

[54] 包裝用袋

Packaging Bag

[73] KRACIE HOME PRODUCTS, LTD.

20-20, Kaigan 3-chome, Minato-ku, 108-0022, Tokyo
JAPAN

[74] UNION PATENT SERVICE CENTRE

Units E-F, 20th Floor, Neich Tower,
128 Gloucester Road,
HONG KONG



[11] 1913146.5

[15] 06-03-2019

[51] Cl. 9-05

[54] 包裝用袋

Packaging Bag

[73] KRACIE HOME PRODUCTS, LTD.

20-20, Kaigan 3-chome, Minato-ku, 108-0022, Tokyo
JAPAN

[74] UNION PATENT SERVICE CENTRE

Units E-F, 20th Floor, Neich Tower,
128 Gloucester Road,
HONG KONG



[11] 1913147.7

[15] 06-03-2019

[51] Cl. 9-03

[54] 包裝用盒

Packaging Box

[73] KRACIE HOME PRODUCTS, LTD.

20-20, Kaigan 3-chome, Minato-ku, 108-0022, Tokyo
JAPAN

[74] UNION PATENT SERVICE CENTRE

Units E-F, 20th Floor, Neich Tower,
128 Gloucester Road,
HONG KONG



[11] 1913148.9

[15] 06-03-2019

[51] Cl. 9-03

[54] 包裝用盒

Packaging Box

[73] KRACIE HOME PRODUCTS, LTD.

20-20, Kaigan 3-chome, Minato-ku, 108-0022, Tokyo
JAPAN

[74] UNION PATENT SERVICE CENTRE

Units E-F, 20th Floor, Neich Tower,
128 Gloucester Road,
HONG KONG



[11] 1913149.1

[15] 06-03-2019

[51] Cl. 9-03

[54] 包裝用盒

Packaging Box

[73] KRACIE HOME PRODUCTS, LTD.

20-20, Kaigan 3-chome, Minato-ku, 108-0022, Tokyo
JAPAN

[74] UNION PATENT SERVICE CENTRE

Units E-F, 20th Floor, Neich Tower,
128 Gloucester Road,
HONG KONG



[11] 1913150.3

[15] 06-03-2019

[51] Cl. 9-03

[54] 包裝用盒

Packaging Box

[73] KRACIE HOME PRODUCTS, LTD.

20-20, Kaigan 3-chome, Minato-ku, 108-0022, Tokyo
JAPAN

[74] UNION PATENT SERVICE CENTRE

Units E-F, 20th Floor, Neich Tower,
128 Gloucester Road,
HONG KONG



[11] 1913151.5

[15] 06-03-2019

[51] Cl. 9-03

[54] 包裝用盒

Packaging Box

[73] KRACIE HOME PRODUCTS, LTD.

20-20, Kaigan 3-chome, Minato-ku, 108-0022, Tokyo
JAPAN

[74] UNION PATENT SERVICE CENTRE

Units E-F, 20th Floor, Neich Tower,
128 Gloucester Road,
HONG KONG



[11] 1913152.7

[15] 06-03-2019

[51] Cl. 9-03

[54] 包裝用盒

Packaging Box

[73] KRACIE HOME PRODUCTS, LTD.

20-20, Kaigan 3-chome, Minato-ku, 108-0022, Tokyo
JAPAN

[74] UNION PATENT SERVICE CENTRE

Units E-F, 20th Floor, Neich Tower,
128 Gloucester Road,
HONG KONG



[11] 1913153.9

[15] 06-03-2019

[30] 11-01-2019 / JP / 2019 of 000471

[51] Cl. 14-01

[54] 耳機

Earphones

[73] Foster Electric Company, Limited
1-1-109, Tsutsujigaoka, Akishima City,
Tokyo 196-8550 Japan,
JAPAN

[74] NTD PATENT & TRADE MARK AGENCY LIMITED
Units 1805-6, 18/F., Greenfield Tower, Concordia Plaza,
No. 1 Science Museum Road, Tsimshatsui East, Kowloon,
HONG KONG



[11] 1913154.1

[15] 06-03-2019

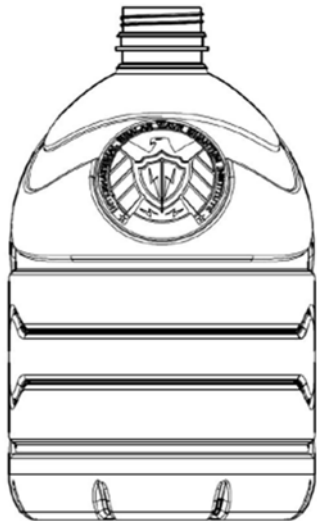
[51] Cl. 9-01

[54] 水瓶

WATER BOTTLE

[73] 天泉鼎豐(集團)有限公司
HEAVEN SPRINGS DYNASTY HARVEST (GROUP) LIMITED
香港
北角英皇道 499 號
4 樓 B 室

[74] 香港知識產權顧問有限公司
香港
新界荃灣德士古道 120 號
安泰國際中心 17 樓 01 室



[11] 1913155.4

[15] 06-03-2019

[51] Cl. 14-01

[54] 便攜式藍牙音箱

Portable Bluetooth Speaker.

[73] BOOMPODS HK LIMITED

ROOM 303-304, HANKOW CENTRE

5-15 HANKOW ROAD, T.S.T. KOWLOON,

HONG KONG

[74] BOOMPODS HK LIMITED

ROOM 303-304, HANKOW CENTRE

5-15 HANKOW ROAD, T.S.T. KOWLOON,

HONG KONG



[11] 1913156.6

[15] 06-03-2019

[51] Cl. 9-01

[54] 水瓶

WATER BOTTLE

[73] 天泉鼎豐(集團)有限公司

HEAVEN SPRINGS DYNASTY HARVEST (GROUP) LIMITED

香港

北角英皇道 499 號

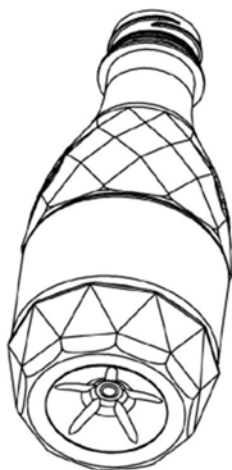
4 樓 B 室

[74] 香港知識產權顧問有限公司

香港

新界荃灣德士古道 120 號

安泰國際中心 17 樓 01 室



[11] 1913157.8

[15] 06-03-2019

[51] Cl. 8-08

[54] 螺絲

SCREW

[73] 東莞得利鐘表有限公司

Dongguan Dailywin Watch Co, Ltd

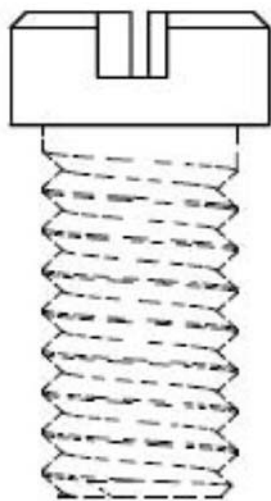
No. 3 Industrial District, Yantian Administrative
Zone, Fenggang Town, Dongguan City, China

[74] IVAN WONG IP LIMITED

Unit 1406, 14th Floor, The Broadway,

54-62 Lockhart Road, Wanchai,

HONG KONG



[11] 1913158.0

[15] 06-03-2019

[30] 14-09-2018 / CN / 201830518893.8

[51] Cl. 16-06

[54] 自動拋光中心

Automatic polishing center

[73] 宏領智能裝備(東莞)有限公司

Hongling Intelligent Equipment (Dongguan) Co., Ltd.

中國內地 廣東省東莞市長

安鎮 霄邊社區振安東路

63-1 號

[74] 標準香港企業註冊服務有限公司

香港

香港九龍旺角彌敦道 678 號 華僑

商業中心 15C



[11] 1913159.2

[15] 07-03-2019

[51] Cl. 9-03

[54] 包裝盒

Packaging box

[73] 學勤藥房有限公司

HOK KAN DISPENSARY LIMITED

香港

新界屯門 啟發徑 1/5 及 9/13 號 萬成大
廈地下 3 號舖

[74] UNIXION IP COMPANY LIMITED

香港

中環 德輔道中 99-105 號 大新人
壽大廈 2 樓



[11] 1913161.6

[15] 07-03-2019

[30] 31-01-2019 / CN / 201930057525.2

[51] Cl. 14-06

[54] 車載重力支架

VEHICLE GRAVITY CRADLE

[73] 廣東高普達集團股份有限公司

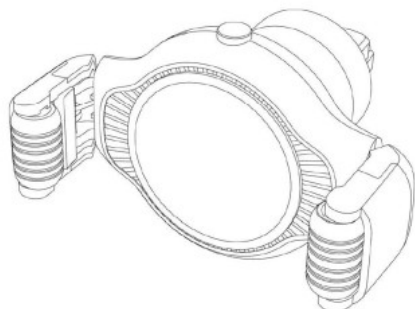
GUANGDONG GOPOD GROUP CO., LTD.

中國內地 廣東省深圳市龍華新區大
浪街道 同勝社區華榮路聯建科技工
業園 廠房 8 棟 4,5,6 樓

[74] 中一聯合國際知識產權有限公司

香港

九龍尖沙咀漆咸道南 45-51 號
其士大廈 803 室



[11] 1913166.7

[15] 11-03-2019

[51] Cl. 25-01

[54] 微孔吸音板

Micro-perforated sound absorption plate

[73] 建築聲學有限公司

Architectural Acoustics Ltd

香港九龍 尖沙咀寶勒

巷 29 號

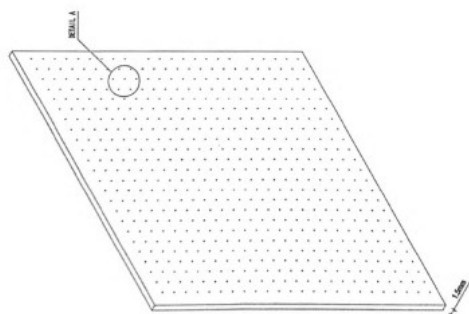
寶昌商業大廈 2 樓

[74] 建築聲學有限公司

九龍

尖沙咀寶勒巷 29 號

寶昌商業大廈 2 樓



[11] 1913167.9M001

[15] 11-03-2019

[30] 11-09-2018 / US / 29/663,058

[51] Cl. 14-04

[54] 用於電子設備的圖形用戶界面
Graphical user interface for electronic device

[73] 蘋果公司
APPLE INC.
ONE APPLE PARK WAY, CUPERTINO, CALIFORNIA 95014
UNITED STATES

[74] CLT PATENT & TRADEMARK (H.K.) LIMITED
Unit 09, 34/F., Office Tower, Convention Plaza
No. 1 Harbour Road, Wanchai
HONG KONG



[11] 1913167.9M002

[15] 11-03-2019

[30] 11-09-2018 / US / 29/663,058

[51] Cl. 14-04

[54] 用於電子設備的圖形用戶界面
Graphical user interface for electronic device

[73] 蘋果公司
APPLE INC.
ONE APPLE PARK WAY, CUPERTINO, CALIFORNIA 95014
UNITED STATES

[74] CLT PATENT & TRADEMARK (H.K.) LIMITED
Unit 09, 34/F., Office Tower, Convention Plaza
No. 1 Harbour Road, Wanchai
HONG KONG



[11] 1913167.9M003

[15] 11-03-2019

[30] 11-09-2018 / US / 29/663,058

[51] Cl. 14-04

[54] 用於電子設備的圖形用戶界面

Graphical user interface for electronic device

[73] 蘋果公司

APPLE INC.

ONE APPLE PARK WAY, CUPERTINO, CALIFORNIA 95014

UNITED STATES

[74] CLT PATENT & TRADEMARK (H.K.) LIMITED

Unit 09, 34/F., Office Tower, Convention Plaza

No. 1 Harbour Road, Wanchai

HONG KONG



- [11] 1913167.9M004
- [15] 11-03-2019
- [30] 11-09-2018 / US / 29/663,058
- [51] Cl. 14-04
- [54] 用於電子設備的圖形用戶界面
Graphical user interface for electronic device
- [73] 蘋果公司
APPLE INC.
ONE APPLE PARK WAY, CUPERTINO, CALIFORNIA 95014
UNITED STATES
- [74] CLT PATENT & TRADEMARK (H.K.) LIMITED
Unit 09, 34/F., Office Tower, Convention Plaza
No. 1 Harbour Road, Wanchai
HONG KONG



-
- [11] 1913167.9M005
- [15] 11-03-2019
- [30] 11-09-2018 / US / 29/663,058
- [51] Cl. 14-04
- [54] 用於電子設備的圖形用戶界面
Graphical user interface for electronic device
- [73] 蘋果公司
APPLE INC.
ONE APPLE PARK WAY, CUPERTINO, CALIFORNIA 95014
UNITED STATES
- [74] CLT PATENT & TRADEMARK (H.K.) LIMITED
Unit 09, 34/F., Office Tower, Convention Plaza
No. 1 Harbour Road, Wanchai
HONG KONG



[11] 1913167.9M006

[15] 11-03-2019

[30] 11-09-2018 / US / 29/663,058

[51] Cl. 14-04

[54] 用於電子設備的圖形用戶界面

Graphical user interface for electronic device

[73] 蘋果公司

APPLE INC.

ONE APPLE PARK WAY, CUPERTINO, CALIFORNIA 95014

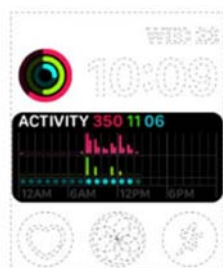
UNITED STATES

[74] CLT PATENT & TRADEMARK (H.K.) LIMITED

Unit 09, 34/F., Office Tower, Convention Plaza

No. 1 Harbour Road, Wanchai

HONG KONG



- [11] 1913167.9M007
- [15] 11-03-2019
- [30] 11-09-2018 / US / 29/663,058
- [51] Cl. 14-04
- [54] 用於電子設備的圖形用戶界面
Graphical user interface for electronic device
- [73] 蘋果公司
APPLE INC.
ONE APPLE PARK WAY, CUPERTINO, CALIFORNIA 95014
UNITED STATES
- [74] CLT PATENT & TRADEMARK (H.K.) LIMITED
Unit 09, 34/F., Office Tower, Convention Plaza
No. 1 Harbour Road, Wanchai
HONG KONG



-
- [11] 1913167.9M008
- [15] 11-03-2019
- [30] 11-09-2018 / US / 29/663,058
- [51] Cl. 14-04
- [54] 用於電子設備的圖形用戶界面
Graphical user interface for electronic device
- [73] 蘋果公司
APPLE INC.
ONE APPLE PARK WAY, CUPERTINO, CALIFORNIA 95014
UNITED STATES
- [74] CLT PATENT & TRADEMARK (H.K.) LIMITED
Unit 09, 34/F., Office Tower, Convention Plaza
No. 1 Harbour Road, Wanchai
HONG KONG



[11] 1913167.9M009

[15] 11-03-2019

[30] 11-09-2018 / US / 29/663,058

[51] Cl. 14-04

[54] 用於電子設備的圖形用戶界面

Graphical user interface for electronic device

[73] 蘋果公司

APPLE INC.

ONE APPLE PARK WAY, CUPERTINO, CALIFORNIA 95014

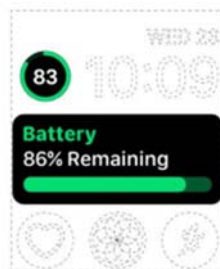
UNITED STATES

[74] CLT PATENT & TRADEMARK (H.K.) LIMITED

Unit 09, 34/F., Office Tower, Convention Plaza

No. 1 Harbour Road, Wanchai

HONG KONG



[11] 1913167.9M010

[15] 11-03-2019

[30] 11-09-2018 / US / 29/663,058

[51] Cl. 14-04

[54] 用於電子設備的圖形用戶界面

Graphical user interface for electronic device

[73] 蘋果公司

APPLE INC.

ONE APPLE PARK WAY, CUPERTINO, CALIFORNIA 95014

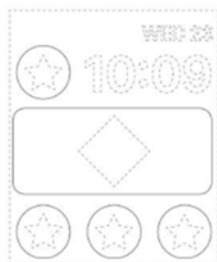
UNITED STATES

[74] CLT PATENT & TRADEMARK (H.K.) LIMITED

Unit 09, 34/F., Office Tower, Convention Plaza

No. 1 Harbour Road, Wanchai

HONG KONG



[11] 1913167.9M011

[15] 11-03-2019

[30] 11-09-2018 / US / 29/663,058

[51] Cl. 14-04

[54] 用於電子設備的圖形用戶界面

Graphical user interface for electronic device

[73] 蘋果公司

APPLE INC.

ONE APPLE PARK WAY, CUPERTINO, CALIFORNIA 95014

UNITED STATES

[74] CLT PATENT & TRADEMARK (H.K.) LIMITED

Unit 09, 34/F., Office Tower, Convention Plaza

No. 1 Harbour Road, Wanchai

HONG KONG



[11] 1913167.9M012

[15] 11-03-2019

[30] 11-09-2018 / US / 29/663,058

[51] Cl. 14-04

[54] 用於電子設備的圖形用戶界面

Graphical user interface for electronic device

[73] 蘋果公司

APPLE INC.

ONE APPLE PARK WAY, CUPERTINO, CALIFORNIA 95014

UNITED STATES

[74] CLT PATENT & TRADEMARK (H.K.) LIMITED

Unit 09, 34/F., Office Tower, Convention Plaza

No. 1 Harbour Road, Wanchai

HONG KONG



[11] 1913167.9M013

[15] 11-03-2019

[30] 11-09-2018 / US / 29/663,058

[51] Cl. 14-04

[54] 用於電子設備的圖形用戶界面

Graphical user interface for electronic device

[73] 蘋果公司

APPLE INC.

ONE APPLE PARK WAY, CUPERTINO, CALIFORNIA 95014

UNITED STATES

[74] CLT PATENT & TRADEMARK (H.K.) LIMITED

Unit 09, 34/F., Office Tower, Convention Plaza

No. 1 Harbour Road, Wanchai

HONG KONG



[11] 1913167.9M014

[15] 11-03-2019

[30] 11-09-2018 / US / 29/663,058

[51] Cl. 14-04

[54] 用於電子設備的圖形用戶界面

Graphical user interface for electronic device

[73] 蘋果公司

APPLE INC.

ONE APPLE PARK WAY, CUPERTINO, CALIFORNIA 95014

UNITED STATES

[74] CLT PATENT & TRADEMARK (H.K.) LIMITED

Unit 09, 34/F., Office Tower, Convention Plaza

No. 1 Harbour Road, Wanchai

HONG KONG



[11] 1913167.9M015

[15] 11-03-2019

[30] 11-09-2018 / US / 29/663,058

[51] Cl. 14-04

[54] 用於電子設備的圖形用戶界面

Graphical user interface for electronic device

[73] 蘋果公司

APPLE INC.

ONE APPLE PARK WAY, CUPERTINO, CALIFORNIA 95014

UNITED STATES

[74] CLT PATENT & TRADEMARK (H.K.) LIMITED

Unit 09, 34/F., Office Tower, Convention Plaza

No. 1 Harbour Road, Wanchai

HONG KONG



- [11] 1913167.9M016
- [15] 11-03-2019
- [30] 11-09-2018 / US / 29/663,058
- [51] Cl. 14-04
- [54] 用於電子設備的圖形用戶界面
Graphical user interface for electronic device
- [73] 蘋果公司
APPLE INC.
ONE APPLE PARK WAY, CUPERTINO, CALIFORNIA 95014
UNITED STATES
- [74] CLT PATENT & TRADEMARK (H.K.) LIMITED
Unit 09, 34/F., Office Tower, Convention Plaza
No. 1 Harbour Road, Wanchai
HONG KONG



-
- [11] 1913167.9M017
 - [15] 11-03-2019
 - [30] 11-09-2018 / US / 29/663,058
 - [51] Cl. 14-04
 - [54] 用於電子設備的圖形用戶界面
Graphical user interface for electronic device
 - [73] 蘋果公司
APPLE INC.
ONE APPLE PARK WAY, CUPERTINO, CALIFORNIA 95014
UNITED STATES
 - [74] CLT PATENT & TRADEMARK (H.K.) LIMITED
Unit 09, 34/F., Office Tower, Convention Plaza
No. 1 Harbour Road, Wanchai
HONG KONG

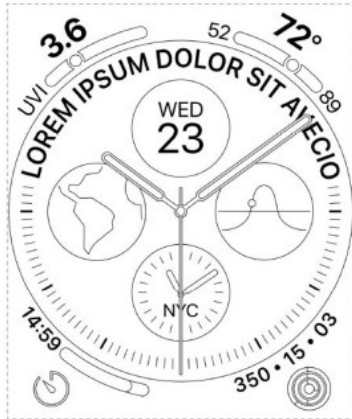


-
- [11] 1913167.9M018
 - [15] 11-03-2019
 - [30] 11-09-2018 / US / 29/663,058
 - [51] Cl. 14-04
 - [54] 用於電子設備的圖形用戶界面
Graphical user interface for electronic device
 - [73] 蘋果公司
APPLE INC.
ONE APPLE PARK WAY, CUPERTINO, CALIFORNIA 95014
UNITED STATES
 - [74] CLT PATENT & TRADEMARK (H.K.) LIMITED
Unit 09, 34/F., Office Tower, Convention Plaza
No. 1 Harbour Road, Wanchai
HONG KONG



-
- [11] 1913171.7M001
 - [15] 11-03-2019
 - [30] 11-09-2018 / US / 29/663,060
 - [51] Cl. 14-04
 - [54] 用於電子設備的圖形用戶界面
Graphical User Interface For Electronic Device
 - [73] 蘋果公司
APPLE INC.
ONE APPLE PARK WAY, CUPERTINO, CALIFORNIA 95014
UNITED STATES
 - [74] CLT PATENT & TRADEMARK (H.K.) LIMITED
Unit 09, 34/F., Office Tower, Convention Plaza

No. 1 Harbour Road, Wanchai
HONG KONG



[11] 1913171.7M002

[15] 11-03-2019

[30] 11-09-2018 / US / 29/663,060

[51] Cl. 14-04

[54] 用於電子設備的圖形用戶界面

Graphical User Interface For Electronic Device

[73] 蘋果公司

APPLE INC.

ONE APPLE PARK WAY, CUPERTINO, CALIFORNIA 95014

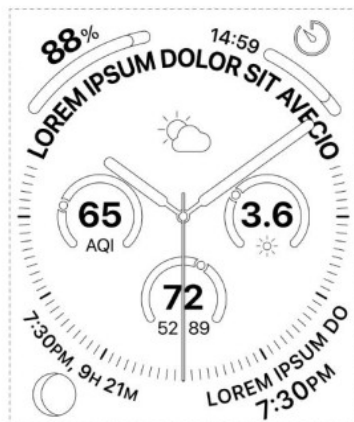
UNITED STATES

[74] CLT PATENT & TRADEMARK (H.K.) LIMITED

Unit 09, 34/F., Office Tower, Convention Plaza

No. 1 Harbour Road, Wanchai

HONG KONG



[11] 1913171.7M003

[15] 11-03-2019

[30] 11-09-2018 / US / 29/663,060

[51] Cl. 14-04

[54] 用於電子設備的圖形用戶界面

Graphical User Interface For Electronic Device

[73] 蘋果公司

APPLE INC.

ONE APPLE PARK WAY, CUPERTINO, CALIFORNIA 95014

UNITED STATES

[74] CLT PATENT & TRADEMARK (H.K.) LIMITED

Unit 09, 34/F., Office Tower, Convention Plaza

No. 1 Harbour Road, Wanchai

HONG KONG



[11] 1913171.7M004

[15] 11-03-2019

[30] 11-09-2018 / US / 29/663,060

[51] Cl. 14-04

[54] 用於電子設備的圖形用戶界面

Graphical User Interface For Electronic Device

[73] 蘋果公司

APPLE INC.

ONE APPLE PARK WAY, CUPERTINO, CALIFORNIA 95014

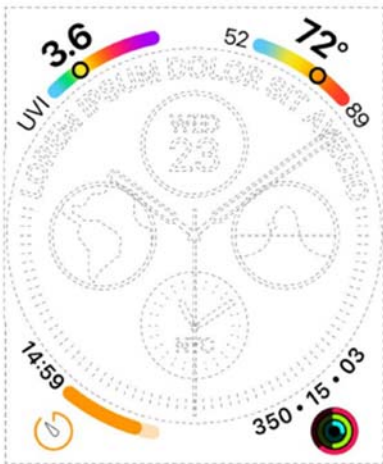
UNITED STATES

[74] CLT PATENT & TRADEMARK (H.K.) LIMITED

Unit 09, 34/F., Office Tower, Convention Plaza

No. 1 Harbour Road, Wanchai

HONG KONG



[11] 1913171.7M005

[15] 11-03-2019

[30] 11-09-2018 / US / 29/663,060

[51] Cl. 14-04

[54] 用於電子設備的圖形用戶界面

Graphical User Interface For Electronic Device

[73] 蘋果公司

APPLE INC.

ONE APPLE PARK WAY, CUPERTINO, CALIFORNIA 95014

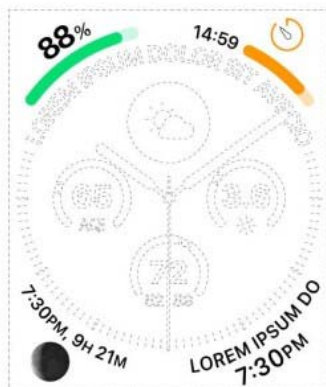
UNITED STATES

[74] CLT PATENT & TRADEMARK (H.K.) LIMITED

Unit 09, 34/F., Office Tower, Convention Plaza

No. 1 Harbour Road, Wanchai

HONG KONG



[11] 1913171.7M006

[15] 11-03-2019

[30] 11-09-2018 / US / 29/663,060

[51] Cl. 14-04

[54] 用於電子設備的圖形用戶界面

Graphical User Interface For Electronic Device

[73] 蘋果公司

APPLE INC.

ONE APPLE PARK WAY, CUPERTINO, CALIFORNIA 95014

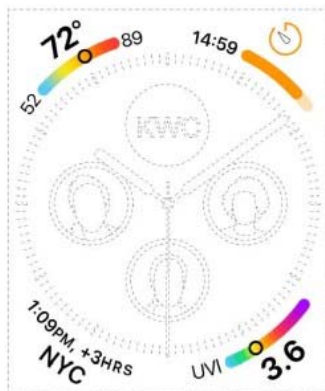
UNITED STATES

[74] CLT PATENT & TRADEMARK (H.K.) LIMITED

Unit 09, 34/F., Office Tower, Convention Plaza

No. 1 Harbour Road, Wanchai

HONG KONG



[11] 1913171.7M007

[15] 11-03-2019

[30] 11-09-2018 / US / 29/663,060

[51] Cl. 14-04

[54] 用於電子設備的圖形用戶界面

Graphical User Interface For Electronic Device

[73] 蘋果公司

APPLE INC.

ONE APPLE PARK WAY, CUPERTINO, CALIFORNIA 95014

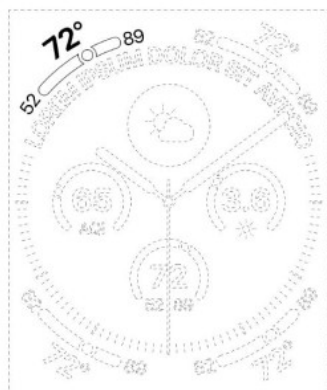
UNITED STATES

[74] CLT PATENT & TRADEMARK (H.K.) LIMITED

Unit 09, 34/F., Office Tower, Convention Plaza

No. 1 Harbour Road, Wanchai

HONG KONG



[11] 1913171.7M008

[15] 11-03-2019

[30] 11-09-2018 / US / 29/663,060

[51] Cl. 14-04

[54] 用於電子設備的圖形用戶界面

Graphical User Interface For Electronic Device

[73] 蘋果公司

APPLE INC.

ONE APPLE PARK WAY, CUPERTINO, CALIFORNIA 95014

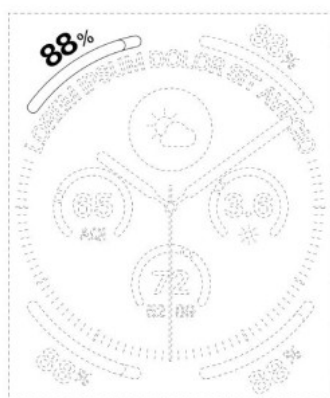
UNITED STATES

[74] CLT PATENT & TRADEMARK (H.K.) LIMITED

Unit 09, 34/F., Office Tower, Convention Plaza

No. 1 Harbour Road, Wanchai

HONG KONG



[11] 1913171.7M009

[15] 11-03-2019

[30] 11-09-2018 / US / 29/663,060

[51] Cl. 14-04

[54] 用於電子設備的圖形用戶界面

Graphical User Interface For Electronic Device

[73] 蘋果公司

APPLE INC.

ONE APPLE PARK WAY, CUPERTINO, CALIFORNIA 95014

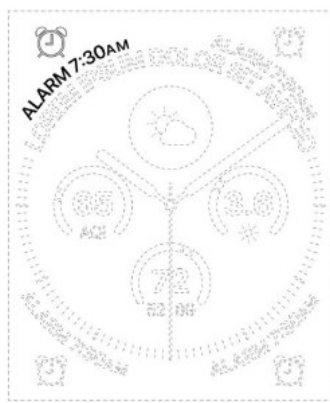
UNITED STATES

[74] CLT PATENT & TRADEMARK (H.K.) LIMITED

Unit 09, 34/F., Office Tower, Convention Plaza

No. 1 Harbour Road, Wanchai

HONG KONG



[11] 1913171.7M010

[15] 11-03-2019

[30] 11-09-2018 / US / 29/663,060

[51] Cl. 14-04

[54] 用於電子設備的圖形用戶界面

Graphical User Interface For Electronic Device

[73] 蘋果公司

APPLE INC.

ONE APPLE PARK WAY, CUPERTINO, CALIFORNIA 95014

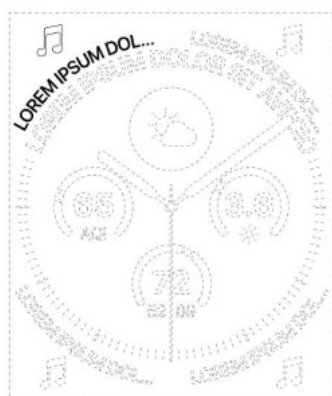
UNITED STATES

[74] CLT PATENT & TRADEMARK (H.K.) LIMITED

Unit 09, 34/F., Office Tower, Convention Plaza

No. 1 Harbour Road, Wanchai

HONG KONG



[11] 1913171.7M011

[15] 11-03-2019

[30] 11-09-2018 / US / 29/663,060

[51] Cl. 14-04

[54] 用於電子設備的圖形用戶界面

Graphical User Interface For Electronic Device

[73] 蘋果公司

APPLE INC.

ONE APPLE PARK WAY, CUPERTINO, CALIFORNIA 95014

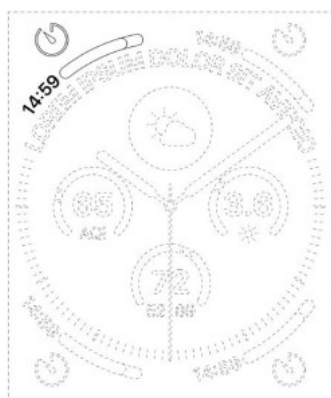
UNITED STATES

[74] CLT PATENT & TRADEMARK (H.K.) LIMITED

Unit 09, 34/F., Office Tower, Convention Plaza

No. 1 Harbour Road, Wanchai

HONG KONG



[11] 1913171.7M012

[15] 11-03-2019

[30] 11-09-2018 / US / 29/663,060

[51] Cl. 14-04

[54] 用於電子設備的圖形用戶界面

Graphical User Interface For Electronic Device

[73] 蘋果公司

APPLE INC.

ONE APPLE PARK WAY, CUPERTINO, CALIFORNIA 95014

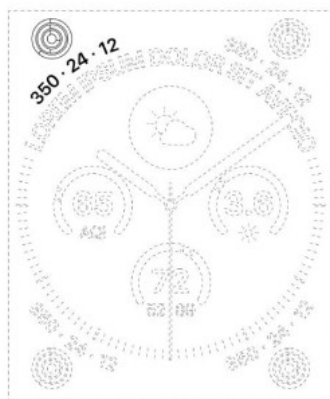
UNITED STATES

[74] CLT PATENT & TRADEMARK (H.K.) LIMITED

Unit 09, 34/F., Office Tower, Convention Plaza

No. 1 Harbour Road, Wanchai

HONG KONG



[11] 1913171.7M013

[15] 11-03-2019

[30] 11-09-2018 / US / 29/663,060

[51] Cl. 14-04

[54] 用於電子設備的圖形用戶界面

Graphical User Interface For Electronic Device

[73] 蘋果公司

APPLE INC.

ONE APPLE PARK WAY, CUPERTINO, CALIFORNIA 95014

UNITED STATES

[74] CLT PATENT & TRADEMARK (H.K.) LIMITED

Unit 09, 34/F., Office Tower, Convention Plaza

No. 1 Harbour Road, Wanchai

HONG KONG



[11] 1913171.7M014

[15] 11-03-2019

[30] 11-09-2018 / US / 29/663,060

[51] Cl. 14-04

[54] 用於電子設備的圖形用戶界面

Graphical User Interface For Electronic Device

[73] 蘋果公司

APPLE INC.

ONE APPLE PARK WAY, CUPERTINO, CALIFORNIA 95014

UNITED STATES

[74] CLT PATENT & TRADEMARK (H.K.) LIMITED

Unit 09, 34/F., Office Tower, Convention Plaza

No. 1 Harbour Road, Wanchai

HONG KONG



[11] 1913171.7M015

[15] 11-03-2019

[30] 11-09-2018 / US / 29/663,060

[51] Cl. 14-04

[54] 用於電子設備的圖形用戶界面

Graphical User Interface For Electronic Device

[73] 蘋果公司

APPLE INC.

ONE APPLE PARK WAY, CUPERTINO, CALIFORNIA 95014

UNITED STATES

[74] CLT PATENT & TRADEMARK (H.K.) LIMITED

Unit 09, 34/F., Office Tower, Convention Plaza

No. 1 Harbour Road, Wanchai

HONG KONG



[11] 1913171.7M016

[15] 11-03-2019

[30] 11-09-2018 / US / 29/663,060

[51] Cl. 14-04

[54] 用於電子設備的圖形用戶界面

Graphical User Interface For Electronic Device

[73] 蘋果公司

APPLE INC.

ONE APPLE PARK WAY, CUPERTINO, CALIFORNIA 95014

UNITED STATES

[74] CLT PATENT & TRADEMARK (H.K.) LIMITED

Unit 09, 34/F., Office Tower, Convention Plaza

No. 1 Harbour Road, Wanchai

HONG KONG



[11] 1913171.7M017

[15] 11-03-2019

[30] 11-09-2018 / US / 29/663,060

[51] Cl. 14-04

[54] 用於電子設備的圖形用戶界面

Graphical User Interface For Electronic Device

[73] 蘋果公司

APPLE INC.

ONE APPLE PARK WAY, CUPERTINO, CALIFORNIA 95014

UNITED STATES

[74] CLT PATENT & TRADEMARK (H.K.) LIMITED

Unit 09, 34/F., Office Tower, Convention Plaza

No. 1 Harbour Road, Wanchai

HONG KONG



[11] 1913171.7M018

[15] 11-03-2019

[30] 11-09-2018 / US / 29/663,060

[51] Cl. 14-04

[54] 用於電子設備的圖形用戶界面

Graphical User Interface For Electronic Device

[73] 蘋果公司

APPLE INC.

ONE APPLE PARK WAY, CUPERTINO, CALIFORNIA 95014

UNITED STATES

[74] CLT PATENT & TRADEMARK (H.K.) LIMITED

Unit 09, 34/F., Office Tower, Convention Plaza

No. 1 Harbour Road, Wanchai

HONG KONG



[11] 1913171.7M019

[15] 11-03-2019

[30] 11-09-2018 / US / 29/663,060

[51] Cl. 14-04

[54] 用於電子設備的圖形用戶界面

Graphical User Interface For Electronic Device

[73] 蘋果公司

APPLE INC.

ONE APPLE PARK WAY, CUPERTINO, CALIFORNIA 95014

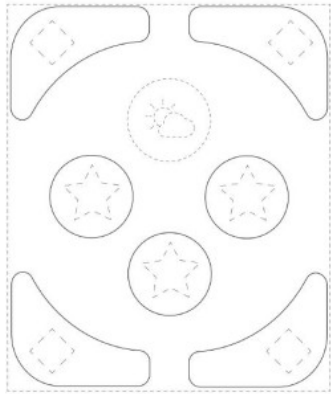
UNITED STATES

[74] CLT PATENT & TRADEMARK (H.K.) LIMITED

Unit 09, 34/F., Office Tower, Convention Plaza

No. 1 Harbour Road, Wanchai

HONG KONG



[11] 1913171.7M020

[15] 11-03-2019

[30] 11-09-2018 / US / 29/663,060

[51] Cl. 14-04

[54] 用於電子設備的圖形用戶界面

Graphical User Interface For Electronic Device

[73] 蘋果公司

APPLE INC.

ONE APPLE PARK WAY, CUPERTINO, CALIFORNIA 95014

UNITED STATES

[74] CLT PATENT & TRADEMARK (H.K.) LIMITED

Unit 09, 34/F., Office Tower, Convention Plaza

No. 1 Harbour Road, Wanchai

HONG KONG



[11] 1913171.7M021

[15] 11-03-2019

[30] 11-09-2018 / US / 29/663,060

[51] Cl. 14-04

[54] 用於電子設備的圖形用戶界面

Graphical User Interface For Electronic Device

[73] 蘋果公司

APPLE INC.

ONE APPLE PARK WAY, CUPERTINO, CALIFORNIA 95014

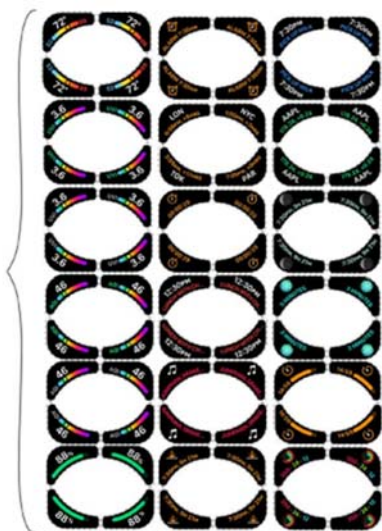
UNITED STATES

[74] CLT PATENT & TRADEMARK (H.K.) LIMITED

Unit 09, 34/F., Office Tower, Convention Plaza

No. 1 Harbour Road, Wanchai

HONG KONG



[11] 1913171.7M022

[15] 11-03-2019

[30] 11-09-2018 / US / 29/663,060

[51] Cl. 14-04

[54] 用於電子設備的圖形用戶界面

Graphical User Interface For Electronic Device

[73] 蘋果公司

APPLE INC.

ONE APPLE PARK WAY, CUPERTINO, CALIFORNIA 95014

UNITED STATES

[74] CLT PATENT & TRADEMARK (H.K.) LIMITED

Unit 09, 34/F., Office Tower, Convention Plaza

No. 1 Harbour Road, Wanchai

HONG KONG



[11] 1913171.7M023

[15] 11-03-2019

[30] 11-09-2018 / US / 29/663,060

[51] Cl. 14-04

[54] 用於電子設備的圖形用戶界面

Graphical User Interface For Electronic Device

[73] 蘋果公司

APPLE INC.

ONE APPLE PARK WAY, CUPERTINO, CALIFORNIA 95014

UNITED STATES

[74] CLT PATENT & TRADEMARK (H.K.) LIMITED

Unit 09, 34/F., Office Tower, Convention Plaza

No. 1 Harbour Road, Wanchai

HONG KONG



[11] 1913171.7M024

[15] 11-03-2019

[30] 11-09-2018 / US / 29/663,060

[51] Cl. 14-04

[54] 用於電子設備的圖形用戶界面

Graphical User Interface For Electronic Device

[73] 蘋果公司

APPLE INC.

ONE APPLE PARK WAY, CUPERTINO, CALIFORNIA 95014

UNITED STATES

[74] CLT PATENT & TRADEMARK (H.K.) LIMITED

Unit 09, 34/F., Office Tower, Convention Plaza

No. 1 Harbour Road, Wanchai

HONG KONG



[11] 1913171.7M025

[15] 11-03-2019

[30] 11-09-2018 / US / 29/663,060

[51] Cl. 14-04

[54] 用於電子設備的圖形用戶界面

Graphical User Interface For Electronic Device

[73] 蘋果公司

APPLE INC.

ONE APPLE PARK WAY, CUPERTINO, CALIFORNIA 95014

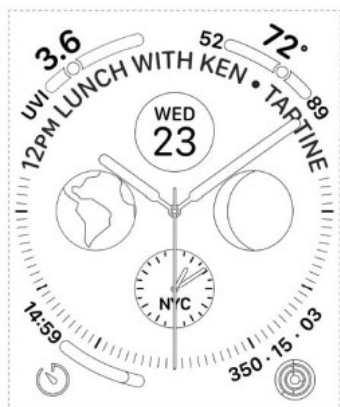
UNITED STATES

[74] CLT PATENT & TRADEMARK (H.K.) LIMITED

Unit 09, 34/F., Office Tower, Convention Plaza

No. 1 Harbour Road, Wanchai

HONG KONG



[11] 1913171.7M026

[15] 11-03-2019

[30] 11-09-2018 / US / 29/663,060

[51] Cl. 14-04

[54] 用於電子設備的圖形用戶界面

Graphical User Interface For Electronic Device

[73] 蘋果公司

APPLE INC.

ONE APPLE PARK WAY, CUPERTINO, CALIFORNIA 95014

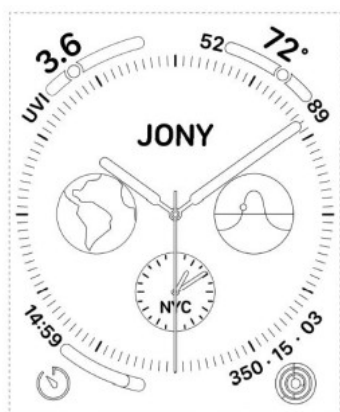
UNITED STATES

[74] CLT PATENT & TRADEMARK (H.K.) LIMITED

Unit 09, 34/F., Office Tower, Convention Plaza

No. 1 Harbour Road, Wanchai

HONG KONG





香港特別行政區政府知識產權署外觀設計註冊處

The Government of the Hong Kong Special Administrative Region

Designs Registry, Intellectual Property Department

根據註冊外觀設計條例第28條，下列註冊外觀設計因未繳續期費而停止有效。各組記項按註冊外觀設計停止有效日期及註冊編號先後次序排列。

Registered designs ceased through non-payment of renewal fees under section 28 of the Registered Designs Ordinance. Entries are listed below under their expiry dates.

25-07-2019 - 31-07-2019

25-07-2019	0411698.6
0411631.5M002	0411699.8
0411631.5M003	0901198.8
	1401413.2
26-07-2019	
0411640.4	30-07-2019
0901181.2	0901213.1M001
0901183.6M001	0901214.3
0901183.6M002	1401415.7M001
9910941.5M001	1401415.7M002
9910941.5M003	1401415.7M003
9910945.4	1401415.7M004
9910947.8	
	31-07-2019
27-07-2019	1401423.3
0411667.1M001	1401424.5
1401367.4	1401425.8
1401400.5	1401426.0
1401401.7	
9910953.0	
9910954.2	
9910955.5	
9910956.7	
28-07-2019	
0411681.0M008	
0411681.0M009	
0901194.9M002	
1401403.1	
1401406.8	
29-07-2019	
0411687.3M001	
0411696.2	



香港特別行政區政府知識產權署外觀設計註冊處

The Government of the Hong Kong Special Administrative Region

Designs Registry, Intellectual Property Department

根據註冊外觀設計規則第 31 條刪除的註冊外觀設計。各組記項按註冊外觀設計 刪除日期及註冊編號先後次序排列。

Registered designs removed under section 31 of the Registered Designs Rules. Entries are listed below under their removal dates.

03-08-2019 - 06-08-2019

03-08-2019

1400160.4M001	1400196.0M003
1400160.4M002	1400196.0M004
1400160.4M003	1400196.0M005
1400163.0M001	1400196.0M006
1400163.0M002	

04-08-2019

0410208.7
0410209.9
1400166.7
1400168.1
1400172.9
1400173.1
1400196.0M005

05-08-2019

0410212.5M001
0410212.5M002
0900149.4
1400180.6M001
1400180.6M002
1400180.6M003
1400181.8
1400182.0
1400184.4
1400187.1
1400188.3
1400191.9M001
1400191.9M002
1400192.1M001
1400192.1M002
1400192.1M003
1400192.1M004
1400192.1M005
1400192.1M007
1400192.1M008
1400192.1M009
1400192.1M010
1400192.1M011

06-08-2019

0410215.2M001
0410215.2M002
1400195.8
1400196.0M001
1400196.0M002



香港特別行政區政府知識產權署外觀設計註冊處
The Government of the Hong Kong Special Administrative Region
Designs Registry, Intellectual Property Department

勘誤

CORRIGENDUM

已在官方公報刊登的外觀設計公告內的表述更正如下：

The following show the corrected representations of the designs in advertisement previously published in the official journal:

官方公報日期 Official journal date 26.07.2019

[11] 1900153.4

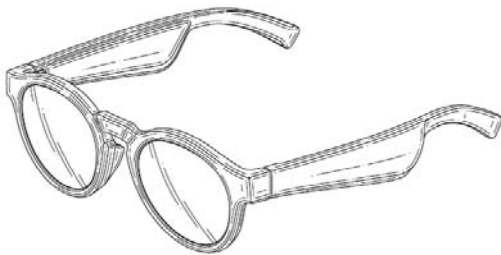
[55] 外觀設計的表述 Representation of the Design



官方公報日期 Official journal date 02.08.2019

[11] 1900211.8

[55] 外觀設計的表述 Representation of the Design



官方公報日期 Official journal date 02.08.2019

[11] 1900216.9

[55] 外觀設計的表述 Representation of the Design



香港特別行政區政府知識產權署外觀設計註冊處

The Government of the Hong Kong Special Administrative Region

Designs Registry, Intellectual Property Department

