

香港知識產權公報

Hong Kong Intellectual Property Journal

2021年9月24日
24 September 2021

目錄 Contents

根據註冊外觀設計條例第 25 條註冊的外觀設計

Designs Registered under section 25 of the Registered Designs Ordinance

按註冊編號排列

Arranged by Registration Number

根據註冊外觀設計條例(第 522 章)公布的其他公告

Other Notices Published under the Registered Designs Ordinance (Cap. 522)

根據註冊外觀設計條例第 28 條，註冊外觀設計因未繳續期費而停止有效

Registered designs ceased through non-payment of renewal fees under section 28 of the Registered Designs Ordinance

根據註冊外觀設計規則第 31 條刪除的註冊外觀設計

Registered designs removed under section 31 of the Registered Designs Rules

以下事項沒有記錄

No Records for the Following Matters

根據註冊外觀設計條例第 30 條放棄的外觀設計的註冊

Surrender of Registration of Design under section 30 of the Registered Designs Ordinance

根據註冊外觀設計規則第 37 條，向處長作出轉介

Reference to Registrar under section 37 of the Registered Designs Rules

根據註冊外觀設計條例第 45 條，撤銷註冊

Revocation of Registration under section 45 of the Registered Designs Ordinance

根據註冊外觀設計規則第 46 條，向法院作出轉介

Reference to Court under section 46 of the Registered Designs Rules

根據註冊外觀設計規則第 63 條對不符合規定之處作出糾正

Rectification of Irregularities under section 63 of the Registered Designs Rules

根據註冊外觀設計條例第 66 條，糾正註冊紀錄冊

Rectification of Register under section 66 of the Registered Designs Ordinance

根據註冊外觀設計條例第 67 條 更正註冊紀錄冊內的錯誤

Correction of errors in Register under section 67 of the Registered Designs Ordinance

根據註冊外觀設計條例第 67 及 76 條，更正註冊紀錄冊內及已提交文件中的錯誤

Correction of Errors in Register and in Filed Documents under sections 67 and 76 of the Registered Designs Ordinance

根據註冊外觀設計條例第 76 條，更正已提交文件中的錯誤

Correction of errors in filed documents under section 76 of the Registered Designs Ordinance

勘誤

Corrigendum

註冊外觀設計公告註釋

Notes on advertisements of registration of designs

方括號表示下列資料：

Square brackets indicate the following data：

[11] 註冊編號 Registration number / 聯合王國註冊編號 United Kingdom registration number

[15] 註冊日期 Registration date / 當作註冊日期 Deemed registration date / 聯合王國註冊日期 United Kingdom registration date

[17] 註冊有效期屆滿日期 Expiry date of the period of registration

[22] 提交日期 Filing date / 當作提交日期 Deemed filing date / 聯合王國提交日期 United Kingdom filing date

[30] 聲稱享有的優先權（提交日期 / 巴黎公約國或世界貿易組織成員 / 申請編號） Priority claimed (filing date / Paris Convention country or WTO member / application number)

[51] 國際外觀設計分類號（洛迦諾分類號） International Classification of designs (Locarno Classification)

[54] 物品 Article

[55] 外觀設計的表述 Representation of the design

[62] 分開前的申請編號及提交日期 Application number before division and filing date

[66] 過往註冊的聯繫外觀設計註冊編號 / 日期 Registration No. / Date of Previous Registration for Association

[72] 設計人 Designer

[73] 擁有人姓名和地址 Name and address of the owner

[74] 代理人 Agent /送達地址 Address for service



香港特別行政區政府知識產權署外觀設計註冊處

The Government of the Hong Kong Special Administrative Region

Designs Registry, Intellectual Property Department

根據註冊外觀設計條例第 25 條註冊的外觀設計

Designs registered under section 25 of the Registered Designs Ordinance

按註冊編號排列

Arranged by Registration Number

[11] 2118105.8

[15] 03-06-2021

[30] 16-12-2020 / EU / 008321541-0004

[51] Cl. 1-01

[54] 糖果

Confectionery

[73] Mederer GmbH

Oststraße 94,

90763 Fürth,

Germany

[74] MARKS & CLERK

Level 9, Cyberport 1,

100 Cyberport Road,

Pok Fu Lam, Hong Kong



[11] 2118255.5M001

[15] 29-06-2021

[30] 26-03-2021 / CH / 145881

[51] Cl. 10-07

[54] 錶面

Watch dial

[73] ROLEX SA

rue François-Dussaud 3-5-7,
1211 Genève 26,
Switzerland

[74] DEACONS

5th Floor, Alexandra House,
Central,
Hong Kong



[11] 2118255.5M002

[15] 29-06-2021

[30] 26-03-2021 / CH / 145881

[51] Cl. 10-07

[54] 錶面

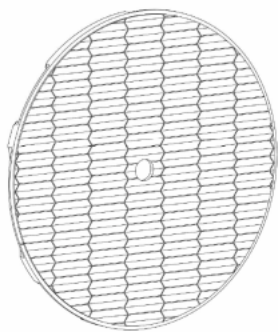
Watch dial

[73] ROLEX SA

rue François-Dussaud 3-5-7,
1211 Genève 26,
Switzerland

[74] DEACONS

5th Floor, Alexandra House,
Central,
Hong Kong



[11] 2118267.0

[15] 02-07-2021

[51] Cl. 29-02

[54] 可調式口罩帶

Adjustable strap for mask

[73] 陳德安

Chan Tak On

Room 2003, 655 Nathan Road,

Mongkok, Kowloon,

Hong Kong

洪若詩

HUNG, Yeuk Sze

Room 2003, 655 Nathan Road,

Mongkok, Kowloon,

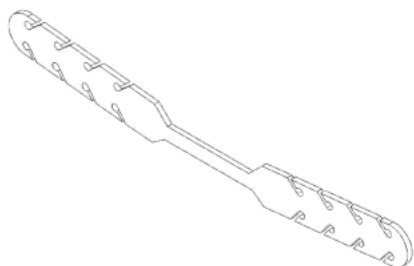
Hong Kong

[74] ACCOLADE IP LIMITED

10/F, Fu Fai Comm. Ctr.,

27 Hillier Street,

Sheung Wan, Hong Kong



[11] 2118271.8M001

[15] 02-07-2021

[30] 28-01-2021 / CA, AM, AZ, BZ, BA, GE, LI, MK, MD, MC, MN, ME, MA, NO, OM, SG, CH, TN, TR, UA, GB, EU, AL, KG / DM/212 534

[51] Cl. 11-01

[54] 耳環

Earrings

[73] Harry Winston SA

Chemin du Tourbillon 8,
CH-1228 Plan-les-Ouates,
Switzerland

[74] SPRUSON & FERGUSON (HONG KONG) LIMITED

5001 Hopewell Centre,
183 Queen's Road East,
Wan Chai, Hong Kong



[11] 2118271.8M002

[15] 02-07-2021

[30] 28-01-2021 / CA, AM, AZ, BZ, BA, GE, LI, MK, MD, MC, MN, ME, MA, NO, OM, SG, CH, TN, TR, UA, GB, EU, AL, KG / DM/212 534

[51] Cl. 11-01

[54] 手鏈

Bracelet

[73] Harry Winston SA

Chemin du Tourbillon 8,
CH-1228 Plan-les-Ouates,
Switzerland

[74] SPRUSON & FERGUSON (HONG KONG) LIMITED

5001 Hopewell Centre,
183 Queen's Road East,
Wan Chai, Hong Kong



[11] 2118271.8M003

[15] 02-07-2021

[30] 28-01-2021 / CA, AM, AZ, BZ, BA, GE, LI, MK, MD, MC, MN, ME, MA, NO, OM, SG, CH, TN, TR, UA, GB, EU, AL, KG / DM/212 534

[51] Cl. 11-01

[54] 項鍊

Necklace

[73] Harry Winston SA

Chemin du Tourbillon 8,
CH-1228 Plan-les-Ouates,
Switzerland

[74] SPRUSON & FERGUSON (HONG KONG) LIMITED

5001 Hopewell Centre,
183 Queen's Road East,
Wan Chai, Hong Kong



[11] 2118271.8M004

[15] 02-07-2021

[30] 28-01-2021 / CA, AM, AZ, BZ, BA, GE, LI, MK, MD, MC, MN, ME, MA, NO, OM, SG, CH, TN, TR, UA, GB, EU, AL, KG / DM/212 534

[51] Cl. 11-01

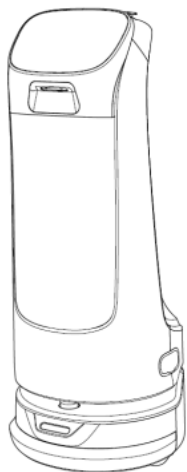
[54] 指環

Ring

- [73] Harry Winston SA
Chemin du Tourbillon 8,
CH-1228 Plan-les-Ouates,
Switzerland
- [74] SPRUSON & FERGUSON (HONG KONG) LIMITED
5001 Hopewell Centre,
183 Queen's Road East,
Wan Chai, Hong Kong



-
- [11] 2118272.0M001
- [15] 03-07-2021
- [30] 15-03-2021 / CN / 202130137685.5
- [51] Cl. 15-99
- [54] 機器人
Robot
- [73] 深圳市普渡科技有限公司
SHENZHEN PUDU TECHNOLOGY CO., LTD.
中國內地
廣東省深圳市南山區西麗街道
西麗社區打石一路深圳國際創新谷 1 棟 A 座 501, 518000
- [74] 百睿知識產權有限公司
香港新界
沙田香港科學園
科技大道西 10 號浚湖樓 617 室



[11] 2118272.0M002

[15] 03-07-2021

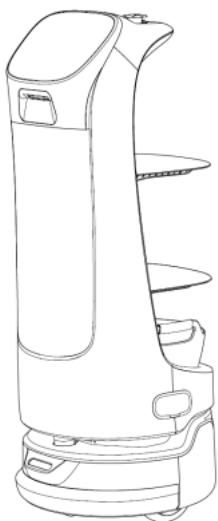
[30] 15-03-2021 / CN / 202130137685.5

[51] Cl. 15-99

[54] 機器人
Robot

[73] 深圳市普渡科技有限公司
SHENZHEN PUDU TECHNOLOGY CO., LTD.
中國內地
廣東省深圳市南山區西麗街道
西麗社區打石一路深圳國際創新谷 1 棟 A 座 501, 518000

[74] 百睿知識產權有限公司
香港新界
沙田香港科學園
科技大道西 10 號浚湖樓 617 室



[11] 2118273.2

[15] 05-07-2021

[30] 05-02-2021 / KR / 30-2021-0006323

[51] Cl. 14-02

[54] 電腦顯示器

Computer monitor

[73] LG DISPLAY CO., LTD.

128, Yeoui-Daero,

Yeongdeungpo-Gu, Seoul,

Korea, Republic of

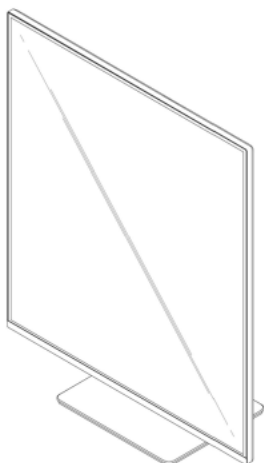
[74] NTD PATENT & TRADE MARK AGENCY LIMITED

Units 1805-6, 18/F., Greenfield Tower,

Concordia Plaza,

No. 1 Science Museum Road,

Tsimshatsui East, Kowloon, Hong Kong



[11] 2118274.4

[15] 06-07-2021

[51] Cl. 9-05

[54] 包裝袋

Packing bag

[73] 歐美藥業集團有限公司

EUROPE & AMERICA PHARMACEUTICAL GROUPS LIMITED

香港新界

粉嶺業豐街 13 號

多利工業大廈 4 樓 F 室

[74] 歐美藥業集團有限公司

香港新界

粉嶺業豐街 13 號
多利工業大廈 4 樓 F 室



[11] 2118275.7

[15] 06-07-2021

[51] C1. 9-05

[54] 包裝袋
Packing bag

[73] 歐美藥業集團有限公司
EUROPE & AMERICA PHARMACEUTICAL GROUPS LIMITED
香港新界
粉嶺業豐街 13 號
多利工業大廈 4 樓 F 室

[74] 歐美藥業集團有限公司
香港新界
粉嶺業豐街 13 號
多利工業大廈 4 樓 F 室



[11] 2118276.9

[15] 06-07-2021

[51] C1. 26-02
C1. 26-05

[54] 風水燈
Feng shui light

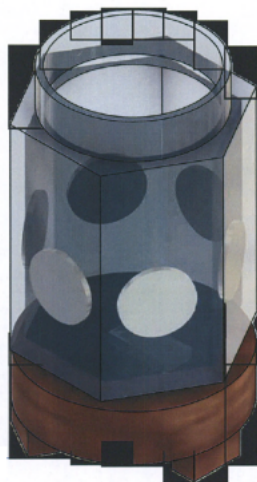
[73] Yik Wing Son, Vincent
Room H, 6/F, Kiu Yu Mansion,
90 Lok Shan Road,
To Kwa Wan, Kowloon, Hong Kong

Yik Sing Dung
Room H, 6/F, Kiu Yu Mansion,
90 Lok Shan Road,
To Kwa Wan, Kowloon, Hong Kong

Yik Sing Fei
Room H, 6/F, Kiu Yu Mansion,
90 Lok Shan Road,
To Kwa Wan, Kowloon, Hong Kong

Yan Jin Ping
Room H, 6/F, Kiu Yu Mansion,
90 Lok Shan Road,
To Kwa Wan, Kowloon, Hong Kong

[74] Yik Wing Son, Vincent
Room H, 6/F, Kiu Yu Mansion,
90 Lok Shan Road,
To Kwa Wan, Kowloon, Hong Kong



[11] 2118278.3M001

[15] 06-07-2021

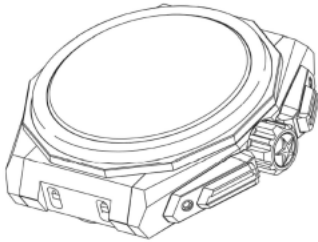
[30] 30-03-2021 / CA, MC, RU, SG, CH, TR, UA, GB, US, EU, JP, KR /
DM/213 687

[51] Cl. 10-07

[54] 錶殼
Watch case

[73] LVMH Swiss Manufactures SA
Rue Louis-Joseph Chevrolet 6a,
2300 La Chaux-de-Fonds,
Switzerland

[74] WILKINSON & GRIST
6th Floor, Prince's Building,
Chater Road,
Hong Kong



[11] 2118278.3M002

[15] 06-07-2021

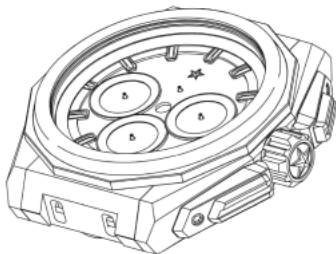
[30] 30-03-2021 / CA, MC, RU, SG, CH, TR, UA, GB, US, EU, JP, KR /
DM/213 698

[51] Cl. 10-02

[54] 手錶
Watch

[73] LVMH Swiss Manufactures SA
Rue Louis-Joseph Chevrolet 6a,
2300 La Chaux-de-Fonds,
Switzerland

[74] WILKINSON & GRIST
6th Floor, Prince's Building,
Chater Road,
Hong Kong



[11] 2118279.5

[15] 06-07-2021

[30] 25-01-2021 / US / 29/767,761

[51] Cl. 14-03

[54] 電話聽筒

Telephone handset

[73] 續特力股份有限公司

PLANTRONICS, INC.

345 Encinal Street,

Santa Cruz, CA 95060,

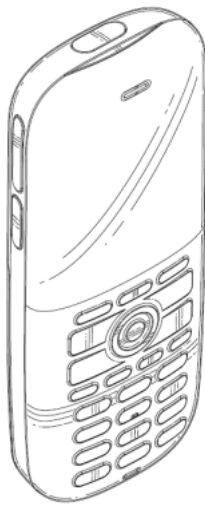
United States of America

[74] SHANGHAI INTELLECTUAL PROPERTY OFFICE

Unit F, 20th Floor, Neich Tower,

128 Gloucester Road,

Hong Kong



[11] 2118280.7M001

[15] 06-07-2021

[30] 22-03-2021 / US / 29/775,251

[51] Cl. 14-03

[54] 通訊頭戴式送受話器及其(多個)部件

Communications headset and portion(s) thereof

[73] 續特力股份有限公司

PLANTRONICS, INC.

345 Encinal Street,

Santa Cruz, CA 95060,

United States of America

[74] SHANGHAI INTELLECTUAL PROPERTY OFFICE

Unit F, 20th Floor, Neich Tower,

128 Gloucester Road,

Hong Kong



[11] 2118280.7M002

[15] 06-07-2021

[30] 22-03-2021 / US / 29/775,251

[51] Cl. 14-03

[54] 通訊頭戴式送受話器及其(多個)部件

Communications headset and portion(s) thereof

[73] 繽特力股份有限公司

PLANTRONICS, INC.

345 Encinal Street,

Santa Cruz, CA 95060,

United States of America

[74] SHANGHAI INTELLECTUAL PROPERTY OFFICE

Unit F, 20th Floor, Neich Tower,

128 Gloucester Road,

Hong Kong



- [11] 2118280.7M003
[15] 06-07-2021
[30] 22-03-2021 / US / 29/775,251
[51] Cl. 14-03
[54] 通訊頭戴式送受話器及其(多個)部件
Communications headset and portion(s) thereof
[73] 繽特力股份有限公司
PLANTRONICS, INC.
345 Encinal Street,
Santa Cruz, CA 95060,
United States of America
[74] SHANGHAI INTELLECTUAL PROPERTY OFFICE
Unit F, 20th Floor, Neich Tower,
128 Gloucester Road,
Hong Kong



-
- [11] 2118280.7M004
[15] 06-07-2021
[30] 22-03-2021 / US / 29/775,251
[51] Cl. 14-03
[54] 通訊頭戴式送受話器及其(多個)部件
Communications headset and portion(s) thereof
[73] 繽特力股份有限公司
PLANTRONICS, INC.
345 Encinal Street,
Santa Cruz, CA 95060,
United States of America
[74] SHANGHAI INTELLECTUAL PROPERTY OFFICE
Unit F, 20th Floor, Neich Tower,

128 Gloucester Road,
Hong Kong



[11] 2118283.3

[15] 08-07-2021

[51] Cl. 23-03

[54] 燃氣熱水器

Gas water heater

[73] 能率有限公司

NORITZ CORPORATION

日本

兵庫縣神戶市

中央區江戸町 93 番地

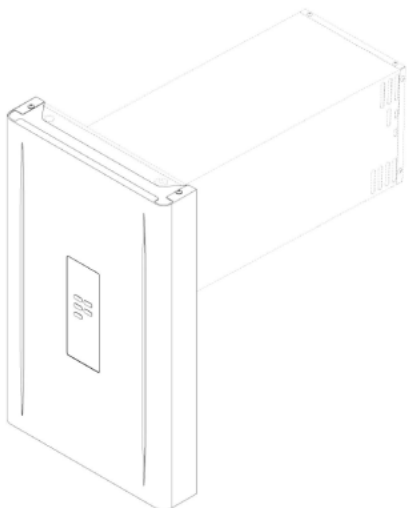
[74] 中港專利有限公司

香港

灣仔告士打道 151 號

資本中心 15 樓 1502 室

HONG KONG



[11] 2118284.5

[15] 08-07-2021

[51] C1. 14-01

[54] 耳機

Audio headset

[73] 一兆聲學科技(深圳)有限公司

中國內地

深圳市寶安區航城街道草圍社區寶安大道 5010 號

深圳多彩匯威文化創意博覽城

T3 創意大廈 6 層 609-610 號

[74] 滙誠知識產權有限公司

香港灣仔

軒尼詩道 8-12 號

中港大廈 8 樓



- [11] 2118285.8
[15] 08-07-2021
[30] 21-01-2021 / AM, AZ, BZ, BA, GE, LI, MK, MD, MC, MN, ME, MA,
NO, OM, SG, CH, TN, TR, UA, GB, EU, AL, KG / DM/212 354
[51] Cl. 10-02
[54] 錶
Watch
[73] OMEGA SA (OMEGA AG) (OMEGA LTD.)
Jakob-Stämpfli-Strasse 96,
CH-2502 Biel/Bienne,
Switzerland
[74] SPRUSON & FERGUSON (HONG KONG) LIMITED
5001 Hopewell Centre,
183 Queen's Road East,
Wan Chai, Hong Kong



-
- [11] 2118286.0
[15] 08-07-2021
[51] Cl. 9-05
[54] 包裝袋
Packing bag
[73] 新頤藥業科技集團有限公司
Sun Yee Medicine Technology Holdings Limited
香港新界
粉嶺業豐街 13 號
多利工業大廈 3 樓 J 室
[74] 新頤藥業科技集團有限公司
香港新界
粉嶺業豐街 13 號
多利工業大廈 3 樓 J 室



[11] 2118287.2

[15] 08-07-2021

[51] Cl. 9-05

[54] 包裝袋
Packing bag

[73] 新頤藥業科技集團有限公司
Sun Yee Medicine Technology Holdings Limited
香港新界
粉嶺業豐街 13 號
多利工業大廈 3 樓 J 室

[74] 新頤藥業科技集團有限公司
香港新界
粉嶺業豐街 13 號
多利工業大廈 3 樓 J 室



[11] 2118288.4

[15] 08-07-2021

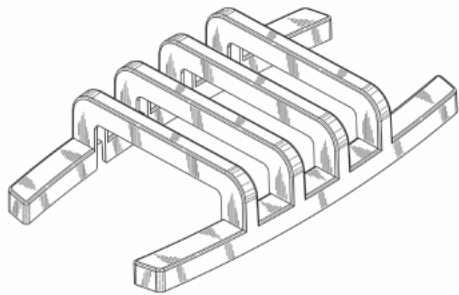
[30] 23-03-2021 / NO, SG, CH, GB, EU, JP, KR / DM/213 499

[51] Cl. 7-06

[54] 砧板架
Cutting board holder

[73] Pi-Design AG
Kantonsstrasse 100,
CH-6234 Triengen,
Switzerland

[74] WENPING PATENT & TRADE MARK AGENT LIMITED
1701 Tung Wai Commercial Building,
111 Gloucester Road,
Hong Kong



[11] 2118289.6M001

[15] 08-07-2021

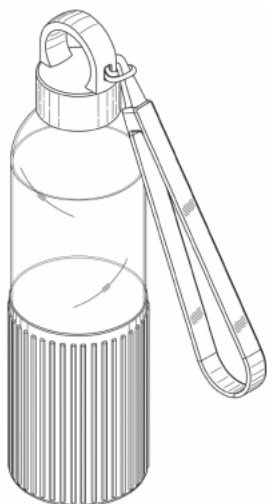
[30] 04-03-2021 / NO, SG, CH, GB, EU / DM/213 095

[51] Cl. 9-01

[54] 飲料瓶
Drinking bottle

[73] Pi-Design AG
Kantonsstrasse 100,
CH-6234 Triengen,
Switzerland

[74] WENPING PATENT & TRADE MARK AGENT LIMITED
1701 Tung Wai Commercial Building,
111 Gloucester Road,
Hong Kong



[11] 2118289.6M002

[15] 08-07-2021

[30] 04-03-2021 / NO, SG, CH, GB, EU / DM/213 095

[51] Cl. 9-01

[54] 飲料瓶

Drinking bottle

[73] Pi-Design AG

Kantonsstrasse 100,

CH-6234 Triengen,

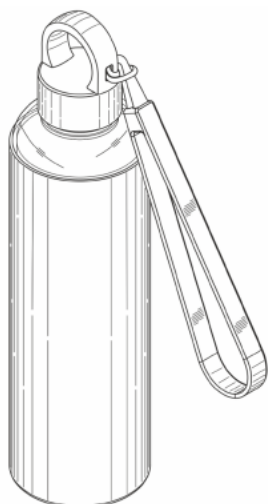
Switzerland

[74] WENPING PATENT & TRADE MARK AGENT LIMITED

1701 Tung Wai Commercial Building,

111 Gloucester Road,

Hong Kong



[11] 2118290.8M001

[15] 08-07-2021

[51] Cl. 2-04

[54] 鞋底

Shoe sole

[73] On Clouds GmbH

c/o ON AG;

Pfingstweidstrasse 106,

8005 Zurich,

Switzerland

[74] SANYOU INTELLECTUAL PROPERTY LIMITED

Room 601, 6/F., Yue Xiu Building,

160-174 Lockhart Road,

Wanchai, Hong Kong



[11] 2118290.8M002

[15] 08-07-2021

[51] Cl. 2-04

[54] 鞋底

Shoe sole

[73] On Clouds GmbH

c/o ON AG;

Pfingstweidstrasse 106,

8005 Zurich,

Switzerland

[74] SANYOU INTELLECTUAL PROPERTY LIMITED

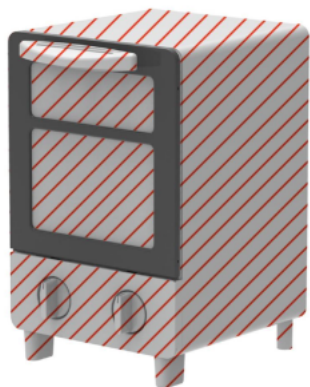
Room 601, 6/F., Yue Xiu Building,

160-174 Lockhart Road,

Wanchai, Hong Kong



- [11] 2118291.0
[15] 08-07-2021
[30] 20-01-2021 / JP / 001089 of 2021
[51] Cl. 7-02
[54] 烤箱
Oven toaster
[73] 株式會社千石
SENGOKU WORKS, LTD.
395, Bessho-cho, Kasai-shi,
Hyogo 675-2462,
Japan
[74] LUNG TIN PATENT TRADEMARK AGENT LIMITED
Flat 11, 10/F, Kowloon Plaza,
485 Castle Peak Road,
Cheung Sha Wan, Hong Kong



-
- [11] 2118292.2
[15] 08-07-2021
[30] 18-01-2021 / JP / 000846 of 2021
[51] Cl. 7-02
[54] 烤面包機
Toaster
[73] 株式會社千石
SENGOKU WORKS, LTD.
395, Bessho-cho, Kasai-shi,
Hyogo 675-2462,
Japan
[74] LUNG TIN PATENT TRADEMARK AGENT LIMITED
Flat 11, 10/F, Kowloon Plaza,
485 Castle Peak Road,
Cheung Sha Wan, Hong Kong



[11] 2118294.6M001

[15] 08-07-2021

[30] 05-02-2021 / CA, AM, AZ, BZ, BA, GE, LI, MK, MD, MC, MN, ME,
MA, NO, OM, SG, CH, TN, TR, UA, GB, EU, AL, KG / DM/213 118

[51] Cl. 11-01

[54] 指環
Ring

[73] Harry Winston SA
Chemin du Tourbillon 8,
CH-1228 Plan-les-Ouates,
Switzerland

[74] SPRUSON & FERGUSON (HONG KONG) LIMITED
5001 Hopewell Centre,
183 Queen's Road East,
Wan Chai, Hong Kong



[11] 2118294.6M002

- [15] 08-07-2021
- [30] 05-02-2021 / CA, AM, AZ, BZ, BA, GE, LI, MK, MD, MC, MN, ME, MA, NO, OM, SG, CH, TN, TR, UA, GB, EU, AL, KG / DM/213 118
- [51] Cl. 11-01
- [54] 指環
Ring
- [73] Harry Winston SA
Chemin du Tourbillon 8,
CH-1228 Plan-les-Ouates,
Switzerland
- [74] SPRUSON & FERGUSON (HONG KONG) LIMITED
5001 Hopewell Centre,
183 Queen's Road East,
Wan Chai, Hong Kong



-
- [11] 2118294.6M003
- [15] 08-07-2021
- [30] 05-02-2021 / CA, AM, AZ, BZ, BA, GE, LI, MK, MD, MC, MN, ME, MA, NO, OM, SG, CH, TN, TR, UA, GB, EU, AL, KG / DM/213 118
- [51] Cl. 11-01
- [54] 項鍊
Necklace
- [73] Harry Winston SA
Chemin du Tourbillon 8,
CH-1228 Plan-les-Ouates,
Switzerland
- [74] SPRUSON & FERGUSON (HONG KONG) LIMITED
5001 Hopewell Centre,
183 Queen's Road East,
Wan Chai, Hong Kong



[11] 2118294.6M004

[15] 08-07-2021

[30] 05-02-2021 / CA, AM, AZ, BZ, BA, GE, LI, MK, MD, MC, MN, ME,
MA, NO, OM, SG, CH, TN, TR, UA, GB, EU, AL, KG / DM/213 118

[51] Cl. 11-01

[54] 項鍊
Necklace

[73] Harry Winston SA
Chemin du Tourbillon 8,
CH-1228 Plan-les-Ouates,
Switzerland

[74] SPRUSON & FERGUSON (HONG KONG) LIMITED
5001 Hopewell Centre,
183 Queen's Road East,
Wan Chai, Hong Kong



[11] 2118294.6M005

[15] 08-07-2021

[30] 05-02-2021 / CA, AM, AZ, BZ, BA, GE, LI, MK, MD, MC, MN, ME, MA, NO, OM, SG, CH, TN, TR, UA, GB, EU, AL, KG / DM/213 118

[51] Cl. 11-01

[54] 指環
Ring

[73] Harry Winston SA
Chemin du Tourbillon 8,
CH-1228 Plan-les-Ouates,
Switzerland

[74] SPRUSON & FERGUSON (HONG KONG) LIMITED
5001 Hopewell Centre,
183 Queen's Road East,
Wan Chai, Hong Kong



[11] 2118294.6M006

[15] 08-07-2021

[30] 05-02-2021 / CA, AM, AZ, BZ, BA, GE, LI, MK, MD, MC, MN, ME, MA, NO, OM, SG, CH, TN, TR, UA, GB, EU, AL, KG / DM/213 118

[51] Cl. 11-01

[54] 指環
Ring

[73] Harry Winston SA
Chemin du Tourbillon 8,
CH-1228 Plan-les-Ouates,
Switzerland

[74] SPRUSON & FERGUSON (HONG KONG) LIMITED
5001 Hopewell Centre,
183 Queen's Road East,
Wan Chai, Hong Kong



[11] 2118295.9

[15] 09-07-2021

[51] Cl. 28-03

[54] 美容儀器

Beauty apparatus

[73] Trophy Skin Products LLC
1633 W. Innovation Way,
Suite 300, Lehi, UT 84043,
United States of America

[74] TRADEMARKCN COMPANY LIMITED
Block A, 4/F., Granville Building,
14 Granville Road,
Tsim Sha Tsui, Kowloon, Hong Kong



[11] 2118296.1M001

[15] 09-07-2021

[30] 15-01-2021 / US / 29/766,465

[51] Cl. 8-03

[54] 刀具

Knife

[73] 拉戈姆廚房公司

Lagom Kitchen Co.

3924 Tuller Avenue,

Culver City, California, 90230,

United States of America

[74] CHINAHONGKONG PATENT LIMITED

1502, 15/F, Capital Centre

151 Gloucester Road, Wanchai

Hong Kong

HONG KONG



[11] 2118296.1M002

[15] 09-07-2021

[30] 15-01-2021 / US / 29/766,465

[51] Cl. 8-03

[54] 刀具

Knife

[73] 拉戈姆廚房公司

Lagom Kitchen Co.

3924 Tuller Avenue,

Culver City, California, 90230,

United States of America

[74] CHINAHONGKONG PATENT LIMITED

1502, 15/F, Capital Centre

151 Gloucester Road, Wanchai

Hong Kong

HONG KONG



[11] 2118296.1M003

[15] 09-07-2021

[30] 15-01-2021 / US / 29/766,465

[51] Cl. 8-03

[54] 刀具
Knife

[73] 拉戈姆廚房公司
Lagom Kitchen Co.
3924 Tuller Avenue,
Culver City, California, 90230,
United States of America

[74] CHINAHONGKONG PATENT LIMITED
1502, 15/F, Capital Centre
151 Gloucester Road, Wanchai
Hong Kong
HONG KONG



[11] 2118297.3

[15] 09-07-2021

[51] Cl. 23-04

[54] 香薰機

Aroma diffuser

[73] 璞真生活有限公司

PUZHEN LIFE CO., LTD

Unit 1112-1116, 11/F, Delta House,

3 On Yiu Street,

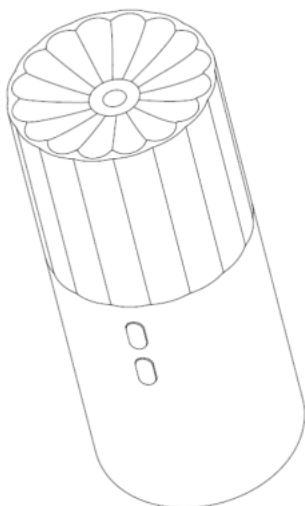
Shatin, Hong Kong

[74] FEDERATION OF HONG KONG INDUSTRIES

31/F, Billion Plaza,

8 Cheung Yue Street,

Cheung Sha Wan, Kowloon, Hong Kong



[11] 2118298.5

[15] 09-07-2021

[30] 27-01-2021 / EU / 008414064-0002

[51] Cl. 16-01

[54] 監控攝像機及其外殼

Surveillance camera and its housing

[73] Mobotix AG

Kaiserstraße,

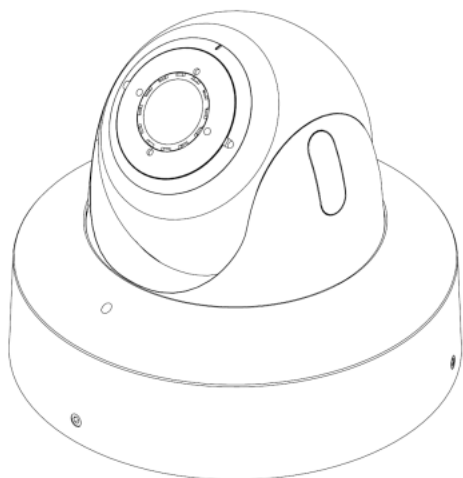
D-67722 Winnweiler, ALEMANIA,

Germany

[74] STEPHENSON HARWOOD

18th floor, United Centre,

95 Queensway,
Admiralty, Hong Kong



[11] 2118299.7

[15] 09-07-2021

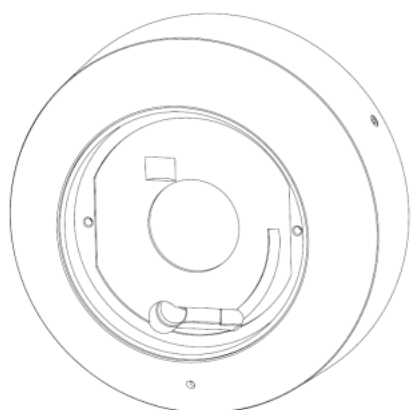
[30] 27-01-2021 / EU / 008414064-0001

[51] Cl. 16-01

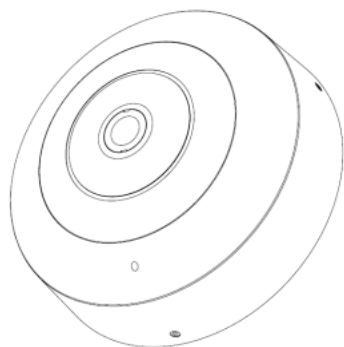
[54] 監控攝像機外殼
Surveillance camera housing

[73] Mobotix AG
Kaiserstraße,
D-67722 Winnweiler, ALEMANIA,
Germany

[74] STEPHENSON HARWOOD
18th floor, United Centre,
95 Queensway,
Admiralty, Hong Kong



- [11] 2118300.1
[15] 09-07-2021
[30] 27-01-2021 / EU / 008414064-0003
[51] Cl. 16-01
[54] 監控攝像機及其外殼
Surveillance camera and its housing
[73] Mobotix AG
Kaiserstraße,
D-67722 Winnweiler, ALEMANIA,
Germany
[74] STEPHENSON HARWOOD
18th floor, United Centre,
95 Queensway,
Admiralty, Hong Kong



-
- [11] 2118301.3
[15] 09-07-2021
[30] 15-01-2021 / JP / 000695 of 2021
[51] Cl. 16-06
[54] 無鏡片眼鏡
Lensless glasses
[73] ZOZO, INC.
1-15-16, Midori-cho, Inage-ku,
Chiba-shi, Chiba 263-0023,
Japan
[74] SPRUSON & FERGUSON (HONG KONG) LIMITED
5001 Hopewell Centre,
183 Queen's Road East,
Wan Chai, Hong Kong



[11] 2118304.9

[15] 09-07-2021

[51] Cl. 10-07

[54] 錶框

Watch bezel

[73] WONG GUAN XIONG

Unit 412, 52-62 Arncliffe Street,

Wolli Creek, New South Wales,

Sydney, OT 2205,

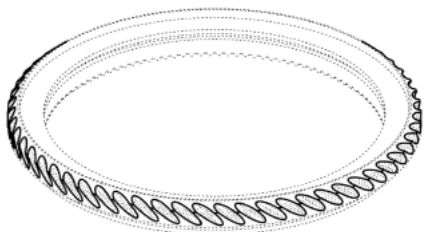
Australia

[74] JENNY AND PATRICK MARKETING COMPANY LIMITED

Level 12, Infinitus Plaza,

199 Des Voeux Road Central,

Sheung Wan, Hong Kong





香港特別行政區政府知識產權署外觀設計註冊處

The Government of the Hong Kong Special Administrative Region

Designs Registry, Intellectual Property Department

根據註冊外觀設計條例第 28 條，下列註冊外觀設計因未繳續期費而停止有效。

各組記項按註冊外觀設計停止有效日期及註冊編號先後次序排列。

Registered designs ceased through non-payment of renewal fees under section 28 of the Registered Designs Ordinance. Entries are listed below under their expiry dates.

02-07-2021 - 14-07-2021

02-07-2021	1601275.1	1601309.4M002
0601689.7	1601279.9	
	1601281.3	09-07-2021
03-07-2021		0601762.2
0110972.3M001	06-07-2021	0601772.3
0110972.3M002	0601734.3M001	
0110973.5M001	0601734.3M002	10-07-2021
0110974.7M001	0601747.1	1601259.7
0601694.7	1601283.7M001	1601310.6M001
1101125.9	1601283.7M002	1601310.6M002
1101134.7	1601292.6M001	1601310.6M003
1101135.0M001	1601292.6M002	1601311.8
1101135.0M003	1601292.6M003	1601312.0M001
1101139.8M005	1601292.6M004	1601312.0M002
1601258.5M001	1601297.7M001	1601312.0M003
1601258.5M002	1601297.7M002	1601314.4
1601258.5M003	1601297.7M003	1601315.7
1601258.5M004	1601297.7M004	1601316.9
1601258.5M005		1601323.3M001
1601258.5M006	07-07-2021	1601323.3M002
1601260.9M001	1101163.8	1601323.3M003
1601260.9M002	1101165.3	1601323.3M004
	1101166.5	1601323.3M005
04-07-2021	1101168.9	1601323.3M006
0601708.9	1101171.5	1601323.3M007
1601262.3	1601298.9	
1601269.8	1601300.5	11-07-2021
1601270.0	1601301.7	1101181.6M003
1601271.2	1601302.9	1101190.5
1601272.4	1601303.1	1101191.7
1601273.6	1601304.3	1101192.9
	1601305.6	1101195.6
05-07-2021	1601308.2	1601326.0
1101145.1	1601309.4M001	1601329.6M001

1601334.6

12-07-2021

0601842.2

1601264.7

1601265.0

1601266.2

1601267.4

1601268.6

1601336.1

1601337.3

1601338.5

1601340.9

1601341.1

1601714.3M001

1601714.3M002

13-07-2021

0601849.7

1601344.7

1601346.2

1601347.4M001

1601347.4M003

1601347.4M004

1601351.2M002

1601352.4

1601354.8

1601359.9

1601361.3

1601362.5

1601363.7

1601364.9M001

1601364.9M002

1601365.2

14-07-2021

1101209.7

1101211.1

1601367.6M002

1601367.6M003

1601367.6M005

1601367.6M006

1601370.2

1601374.0

1601375.3

1601377.7

1601378.9



香港特別行政區政府知識產權署外觀設計註冊處

The Government of the Hong Kong Special Administrative Region

Designs Registry, Intellectual Property Department

根據註冊外觀設計規則第 31 條刪除的註冊外觀設計。各組記項按註冊外觀設計刪除日期及註冊編號先後次序排列。

Registered designs removed under section 31 of the Registered Designs Rules. Entries are listed below under their removal dates.

04-09-2021 - 09-09-2021

04-09-2021	1600008.5M004	1100052.2M001
0110014.2	1600008.5M005	1100052.2M002
0110022.9	1600008.5M007	1100052.2M004
0110023.1	1600008.5M008	1100053.4M001
0110043.3M001	1600008.5M009	1100053.4M002
0110043.3M002	1600008.5M010	1600037.6
0600041.2M002	1600008.5M011	
0600041.2M004	1600008.5M012	06-09-2021
0600057.6	1600008.5M013	1600040.2M001
0600058.8	1600008.5M014	1600040.2M002
0600066.5	1600012.3	1600042.6M002
1100015.5	1600014.7	1600042.6M003
1100020.5	1600015.0	1600043.8
1100032.0	1600017.4	
1100034.4	1600020.0	07-09-2021
1100035.7	1600023.6	0600082.8
1100039.5M001	1600024.8	0600083.0
1100039.5M002	1600029.9M001	0600091.7
1100039.5M003	1600029.9M002	1100063.5
1100039.5M004	1600030.1	1100067.4M001
1100039.5M005	1600031.3	1100067.4M002
1100040.7M003		1100067.4M003
1100040.7M006	05-09-2021	1100067.4M004
1100040.7M007	0600067.7	1100067.4M005
1100040.7M008	0600068.9	1100067.4M006
1100040.7M009	0600069.1M001	1100067.4M007
1100040.7M011	0600069.1M002	1100068.6M001
1600004.6M001	0600069.1M003	1100068.6M002
1600004.6M002	0600069.1M004	1100068.6M003
1600004.6M003	0600071.5	1100068.6M004
1600005.9	1100051.0M001	1100068.6M005
1600008.5M001	1100051.0M002	1100068.6M006
1600008.5M002	1100051.0M003	1100068.6M007
1600008.5M003	1100051.0M004	1100068.6M008

1100068.6M009
1100069.8M001
1100069.8M002
1100069.8M003
1100069.8M004
1100069.8M005
1100069.8M006
1100069.8M007
1100069.8M008
1100069.8M009
1100069.8M010
1100103.1
1600044.0
1600045.3
1600046.5
1600047.7
1600054.1M001
1600054.1M002
1600055.4

08-09-2021

0600096.8
1100075.1
1600059.2
1600060.4
1600061.6
1600062.8
1600063.0
1600064.2

09-09-2021

1600065.5
1600070.5