

香港知識產權公報

Hong Kong Intellectual Property Journal

2021年12月24日
24 December 2021

目錄 Contents

根據註冊外觀設計條例第 25 條註冊的外觀設計

Designs Registered under section 25 of the Registered Designs Ordinance

按註冊編號排列

Arranged by Registration Number

根據註冊外觀設計條例(第 522 章)公布的其他公告

Other Notices Published under the Registered Designs Ordinance (Cap. 522)

根據註冊外觀設計條例第 28 條，註冊外觀設計因未繳續期費而停止有效

Registered designs ceased through non-payment of renewal fees under section 28 of the Registered Designs Ordinance

根據註冊外觀設計規則第 31 條刪除的註冊外觀設計

Registered designs removed under section 31 of the Registered Designs Rules

以下事項沒有記錄

No Records for the Following Matters

根據註冊外觀設計條例第 30 條放棄的外觀設計的註冊

Surrender of Registration of Design under section 30 of the Registered Designs Ordinance

根據註冊外觀設計規則第 37 條，向處長作出轉介

Reference to Registrar under section 37 of the Registered Designs Rules

根據註冊外觀設計條例第 45 條，撤銷註冊

Revocation of Registration under section 45 of the Registered Designs Ordinance

根據註冊外觀設計規則第 46 條，向法院作出轉介

Reference to Court under section 46 of the Registered Designs Rules

根據註冊外觀設計規則第 63 條對不符合規定之處作出糾正

Rectification of Irregularities under section 63 of the Registered Designs Rules

根據註冊外觀設計條例第 66 條，糾正註冊紀錄冊

Rectification of Register under section 66 of the Registered Designs Ordinance

根據註冊外觀設計條例第 67 條 更正註冊紀錄冊內的錯誤

Correction of errors in Register under section 67 of the Registered Designs Ordinance

根據註冊外觀設計條例第 67 及 76 條，更正註冊紀錄冊內及已提交文件中的錯誤

Correction of Errors in Register and in Filed Documents under sections 67 and 76 of the Registered Designs Ordinance

根據註冊外觀設計條例第 76 條，更正已提交文件中的錯誤

Correction of errors in filed documents under section 76 of the Registered Designs Ordinance

勘誤

Corrigendum

註冊外觀設計公告註釋

Notes on advertisements of registration of designs

方括號表示下列資料：

Square brackets indicate the following data：

[11] 註冊編號 Registration number / 聯合王國註冊編號 United Kingdom registration number

[15] 註冊日期 Registration date / 當作註冊日期 Deemed registration date / 聯合王國註冊日期 United Kingdom registration date

[17] 註冊有效期屆滿日期 Expiry date of the period of registration

[22] 提交日期 Filing date / 當作提交日期 Deemed filing date / 聯合王國提交日期 United Kingdom filing date

[30] 聲稱享有的優先權（提交日期 / 巴黎公約國或世界貿易組織成員 / 申請編號） Priority claimed (filing date / Paris Convention country or WTO member / application number)

[51] 國際外觀設計分類號（洛迦諾分類號） International Classification of designs (Locarno Classification)

[54] 物品 Article

[55] 外觀設計的表述 Representation of the design

[62] 分開前的申請編號及提交日期 Application number before division and filing date

[66] 過往註冊的聯繫外觀設計註冊編號 / 日期 Registration No. / Date of Previous Registration for Association

[72] 設計人 Designer

[73] 擁有人姓名和地址 Name and address of the owner

[74] 代理人 Agent /送達地址 Address for service



香港特別行政區政府知識產權署外觀設計註冊處

The Government of the Hong Kong Special Administrative Region

Designs Registry, Intellectual Property Department

根據註冊外觀設計條例第 25 條註冊的外觀設計

Designs registered under section 25 of the Registered Designs Ordinance

按註冊編號排列

Arranged by Registration Number

[11] 1914840.8

[15] 18-10-2019

[30] 15-08-2019 / JP / 2019-018091

[51] Cl. 14-01

[54] 頭戴式耳機

Headphone

[73] SONY CORPORATION

1-7-1 KONAN, MINATO-KU

TOKYO 108-0075

JAPAN

[74] UNITALEN ATTORNEYS AT LAW LIMITED

RM 1201, 12/F, GOLDEN ERA PLAZA,

39-55 SAI YEE ST, MONGKOK KLN,

HONG KONG



[11] 2118180.5M001

[15] 16-06-2021

[30] 16-12-2020 / EU / 008325369

[51] Cl. 24-04

[54] 醫用貼片

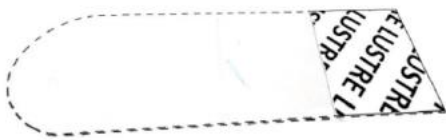
Medical adhesive patch

[73] Ambicare Health Limited

Alba Innovation Centre, Alba Campus, Livingston, West Lothian,
EH54 7GA,
United Kingdom

[74] INSIGHT (HK) INTELLECTUAL PROPERTY LIMITED

Unit 503, 5/F., Tower 2, Lippo Centre,
89 Queensway,
Admiralty, Hong Kong



[11] 2118180.5M002

[15] 16-06-2021

[30] 16-12-2020 / EU / 008325369

[51] Cl. 24-04

[54] 醫用貼片

Medical adhesive patch

[73] Ambicare Health Limited

Alba Innovation Centre, Alba Campus, Livingston, West Lothian,
EH54 7GA,
United Kingdom

[74] INSIGHT (HK) INTELLECTUAL PROPERTY LIMITED

Unit 503, 5/F., Tower 2, Lippo Centre,
89 Queensway,
Admiralty, Hong Kong



[11] 2118180.5M003

[15] 16-06-2021

[30] 16-12-2020 / EU / 008325369

[51] Cl. 24-02

[54] 可穿戴皮膚治療儀

Wearable skin treatment device

[73] Ambicare Health Limited

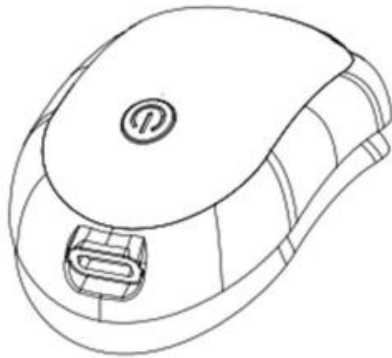
Alba Innovation Centre, Alba Campus, Livingston, West Lothian,
EH54 7GA,

United Kingdom

[74] INSIGHT (HK) INTELLECTUAL PROPERTY LIMITED

Unit 503, 5/F., Tower 2, Lippo Centre,
89 Queensway,

Admiralty, Hong Kong



[11] 2118277.1

[15] 06-07-2021

[30] 06-01-2021 / GB / 6112112

[51] Cl. 12-15

[54] 輪胎

Tyre

[73] 達凡提輪胎有限公司

DAVANTI TYRES LIMITED

Oak Park, Woodlands Park,
Ashton Road, Newton-Le-Willows,
Merseyside, WA12 OHF,

United Kingdom

[74] CLT PATENT & TRADEMARK (H.K.) LIMITED

Unit 09, 34/F., Office Tower, Convention Plaza,
No. 1 Harbour Road,

Wanchai, Hong Kong



[11] 2118376.1

[15] 23-07-2021

[51] Cl. 7-02

[54] 用於鑊、煎鍋及煲的圖案

Pattern for wok, fry pan and pot

[73] 敏寶有限公司

MAIN PLAN LIMITED

9/F, Yau Lee Centre,

No.45, Hoi Yuen Road,

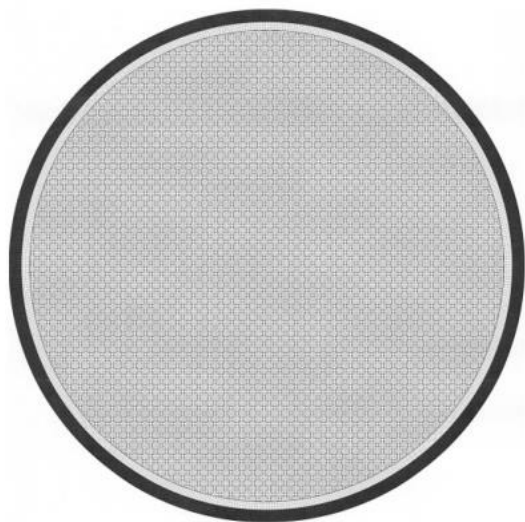
Kwun Tong, Kowloon, Hong Kong

[74] 敏寶有限公司

香港九龍

觀塘開源道 45 號

有利中心 9 樓



[11] 2118565.3M001

[15] 25-08-2021

[30] 25-02-2021 / US / 29/771,913

[51] Cl. 14-04

[54] 帶有動畫電腦圖標的顯示面板部分

Display panel portion with an animated computer icon

[73] Sanofi

54 rue La Boétie,

75008 Paris,

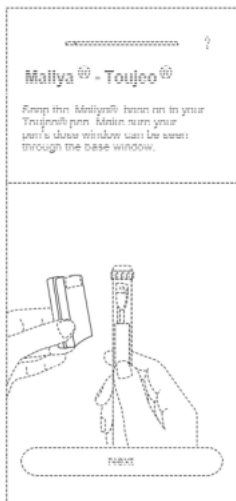
France

[74] KWAN, WONG & PARTNERS

Unit 1102, 11/F,

88 Gloucester Road,

Wanchai, Hong Kong



[11] 2118565.3M002

[15] 25-08-2021

[30] 25-02-2021 / US / 29/771,914

[51] Cl. 14-04

[54] 帶有動畫電腦圖標的顯示面板部分

Display panel portion with an animated computer icon

[73] Sanofi

54 rue La Boétie,

75008 Paris,

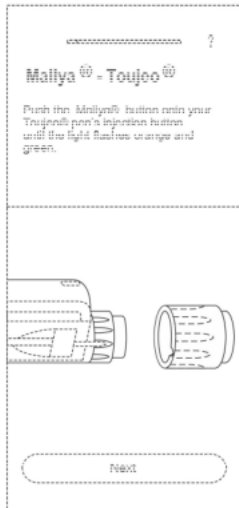
France

[74] KWAN, WONG & PARTNERS

Unit 1102, 11/F,

88 Gloucester Road,

Wanchai, Hong Kong



[11] 2118565.3M003

[15] 25-08-2021

[30] 25-02-2021 / US / 29/771,915

[51] Cl. 14-04

[54] 帶有動畫電腦圖標的顯示面板部分

Display panel portion with an animated computer icon

[73] Sanofi

54 rue La Boétie,

75008 Paris,

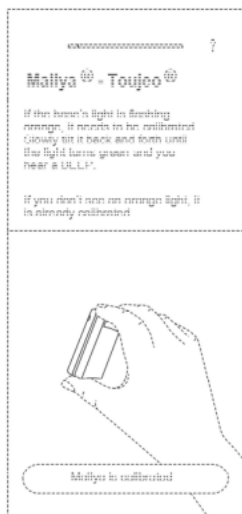
France

[74] KWAN, WONG & PARTNERS

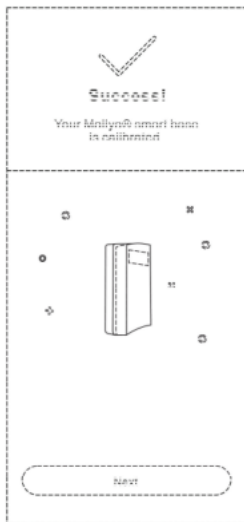
Unit 1102, 11/F,

88 Gloucester Road,

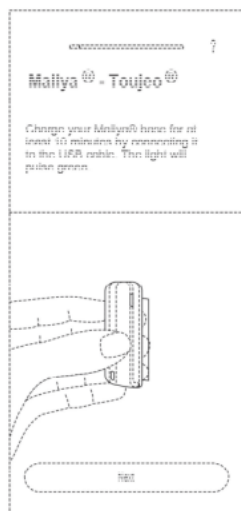
Wanchai, Hong Kong



- [11] 2118565.3M004
[15] 25-08-2021
[30] 25-02-2021 / US / 29/771,918
[51] Cl. 14-04
[54] 帶有動畫電腦圖標的顯示面板部分
Display panel portion with an animated computer icon
[73] Sanofi
54 rue La Boétie,
75008 Paris,
France
[74] KWAN, WONG & PARTNERS
Unit 1102, 11/F,
88 Gloucester Road,
Wanchai, Hong Kong



-
- [11] 2118565.3M005
[15] 25-08-2021
[30] 25-02-2021 / US / 29/771,923
[51] Cl. 14-04
[54] 帶有動畫電腦圖標的顯示面板部分
Display panel portion with an animated computer icon
[73] Sanofi
54 rue La Boétie,
75008 Paris,
France
[74] KWAN, WONG & PARTNERS
Unit 1102, 11/F,
88 Gloucester Road,
Wanchai, Hong Kong



[11] 2118565.3M006

[15] 25-08-2021

[30] 25-02-2021 / US / 29/771,927

[51] Cl. 14-04

[54] 帶有動畫電腦圖標的顯示面板部分

Display panel portion with an animated computer icon

[73] Sanofi

54 rue La Boétie,

75008 Paris,

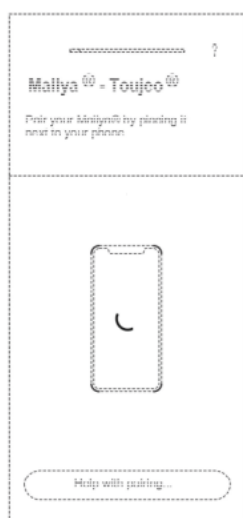
France

[74] KWAN, WONG & PARTNERS

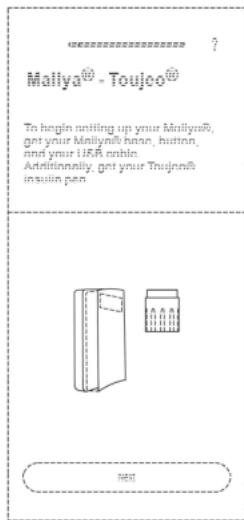
Unit 1102, 11/F,

88 Gloucester Road,

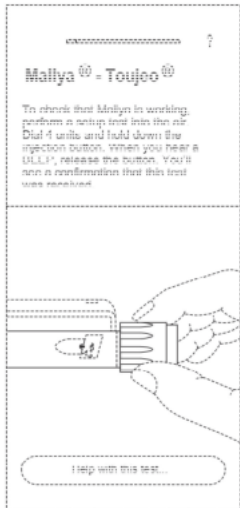
Wanchai, Hong Kong



- [11] 2118565.3M007
- [15] 25-08-2021
- [30] 25-02-2021 / US / 29/771,931
- [51] Cl. 14-04
- [54] 帶有動畫電腦圖標的顯示面板部分
Display panel portion with an animated computer icon
- [73] Sanofi
54 rue La Boétie,
75008 Paris,
France
- [74] KWAN, WONG & PARTNERS
Unit 1102, 11/F,
88 Gloucester Road,
Wanchai, Hong Kong



-
- [11] 2118565.3M008
 - [15] 25-08-2021
 - [30] 25-02-2021 / US / 29/771,934
 - [51] Cl. 14-04
 - [54] 帶有動畫電腦圖標的顯示面板部分
Display panel portion with an animated computer icon
 - [73] Sanofi
54 rue La Boétie,
75008 Paris,
France
 - [74] KWAN, WONG & PARTNERS
Unit 1102, 11/F,
88 Gloucester Road,
Wanchai, Hong Kong



[11] 2118565.3M009

[15] 25-08-2021

[30] 25-02-2021 / US / 29/771,938

[51] Cl. 14-04

[54] 帶有動畫電腦圖標的顯示面板部分

Display panel portion with an animated computer icon

[73] Sanofi

54 rue La Boétie,

75008 Paris,

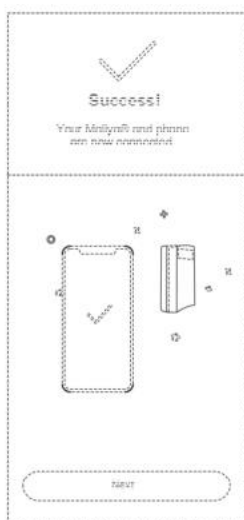
France

[74] KWAN, WONG & PARTNERS

Unit 1102, 11/F,

88 Gloucester Road,

Wanchai, Hong Kong



- [11] 2118565.3M010
- [15] 25-08-2021
- [30] 25-02-2021 / US / 29/771,941
- [51] Cl. 14-04
- [54] 帶有電腦圖標的顯示面板部分
Display panel portion with a computer icon
- [73] Sanofi
54 rue La Boétie,
75008 Paris,
France
- [74] KWAN, WONG & PARTNERS
Unit 1102, 11/F,
88 Gloucester Road,
Wanchai, Hong Kong



-
- [11] 2118619.8
 - [15] 03-09-2021
 - [30] 10-03-2021 / FR / 2021-1153
 - [51] Cl. 3-01
 - [54] 袋
Bag
 - [73] LOUIS VUITTON MALLETIER
2 rue du Pont-Neuf
75001 Paris
France
 - [74] BAKER & MCKENZIE
14th Floor, One Taikoo Place,
979 King's Road, Quarry Bay,
Hong Kong



[11] 2118620.0

[15] 03-09-2021

[30] 10-03-2021 / FR / 2021-1151

[51] Cl. 3-01

[54] 袋

Bag

[73] LOUIS VUITTON MALLETIER

2 rue du Pont-Neuf

75001 Paris

FRANCE

[74] BAKER & MCKENZIE

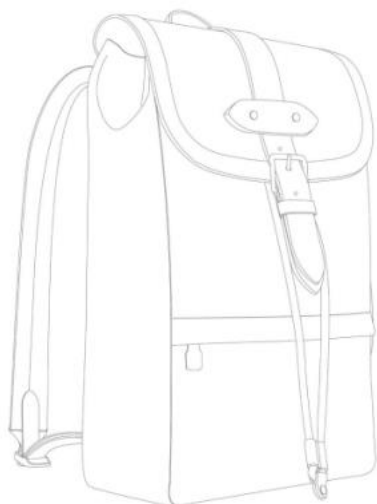
14th Floor, One Taikoo Place,

979 King's Road, Quarry Bay,

Hong Kong



- [11] 2118621.2
[15] 03-09-2021
[30] 10-03-2021 / FR / 2021-1149
[51] Cl. 3-01
[54] 袋
Bag
[73] LOUIS VUITTON MALLETIER
2 rue du Pont-Neuf
75001 Paris
France
[74] BAKER & MCKENZIE
14th Floor, One Taikoo Place,
979 King's Road, Quarry Bay,
Hong Kong



-
- [11] 2118622.4
[15] 03-09-2021
[30] 05-03-2021 / FR / 2021-1081
[51] Cl. 3-01
[54] 袋
Bag
[73] LOUIS VUITTON MALLETIER
2 rue du Pont-Neuf
75001 Paris
France
[74] BAKER & MCKENZIE
14th Floor, One Taikoo Place,
979 King's Road, Quarry Bay,
Hong Kong



[11] 2118623.6

[15] 03-09-2021

[30] 05-03-2021 / FR / 2021-1080

[51] Cl. 3-01

[54] 袋

Bag

[73] LOUIS VUITTON MALLETIER

2 rue du Pont-Neuf

75001 Paris

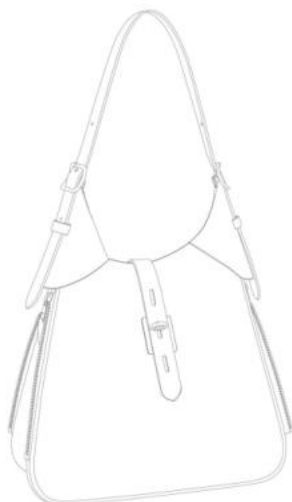
France

[74] BAKER & MCKENZIE

14th Floor, One Taikoo Place,

979 King's Road, Quarry Bay,

Hong Kong



- [11] 2118624.8
[15] 03-09-2021
[30] 05-03-2021 / FR / 2021-1076
[51] Cl. 3-01
[54] 袋
Bag
[73] LOUIS VUITTON MALLETIER
2 rue du Pont-Neuf
75001 Paris
France
[74] BAKER & MCKENZIE
14th Floor, One Taikoo Place,
979 King's Road, Quarry Bay,
Hong Kong



-
- [11] 2118679.4
[15] 15-09-2021
[30] 22-03-2021 / DE / 40 2021 100 254.5
[51] Cl. 21-01
[54] 玩具或比例模型車
Toy or scale model vehicle
[73] Bayerische Motoren Werke Aktiengesellschaft
Petuelring 130,
80809 Muenchen,
Germany
[74] HASTINGS & CO
5/F, Gloucester Tower, The Landmark,
11 Pedder Street,
Central, Hong Kong



[11] 2118739.2M001

[15] 24-09-2021

[30] 25-03-2021 / US / 29/775,758

[51] Cl. 10-04

[54] 用於監測健康狀態的系統和組件

System and components for health condition monitoring

[73] EISAI R&D MANAGEMENT CO., LTD.

6-10, Koishikawa 4-Chome, Bunkyo-ku,

Tokyo 112-8088,

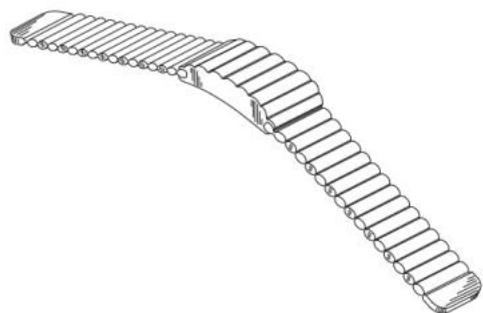
Japan

[74] WENPING PATENT & TRADE MARK AGENT LIMITED

1701 Tung Wai Commercial Building,

111 Gloucester Road,

Hong Kong



[11] 2118739.2M002

[15] 24-09-2021

[30] 25-03-2021 / US / 29/775,758

[51] Cl. 10-04

[54] 用於監測健康狀態的系統和組件

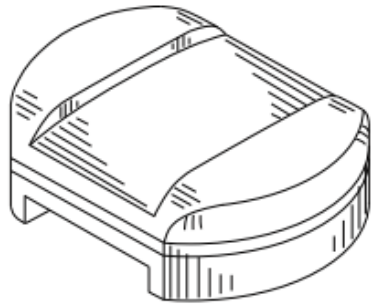
System and components for health condition monitoring

[73] EISAI R&D MANAGEMENT CO., LTD.

6-10, Koishikawa 4-Chome, Bunkyo-ku,

Tokyo 112-8088,
Japan

[74] WENPING PATENT & TRADE MARK AGENT LIMITED
1701 Tung Wai Commercial Building,
111 Gloucester Road,
Hong Kong



[11] 2118739.2M003

[15] 24-09-2021

[30] 25-03-2021 / US / 29/775,758

[51] Cl. 10-04

[54] 用於監測健康狀態的系統和組件

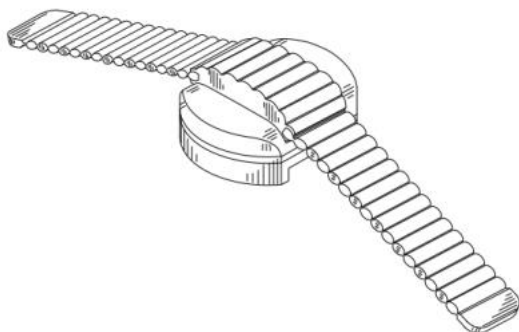
System and components for health condition monitoring

[73] EISAI R&D MANAGEMENT CO., LTD.

6-10, Koishikawa 4-Chome, Bunkyo-ku,
Tokyo 112-8088,
Japan

[74] WENPING PATENT & TRADE MARK AGENT LIMITED

1701 Tung Wai Commercial Building,
111 Gloucester Road,
Hong Kong



[11] 2118757.0

[15] 29-09-2021

[30] 31-03-2021 / US / 29/776,753

[51] Cl. 28-03

[54] 敲擊式按摩裝置

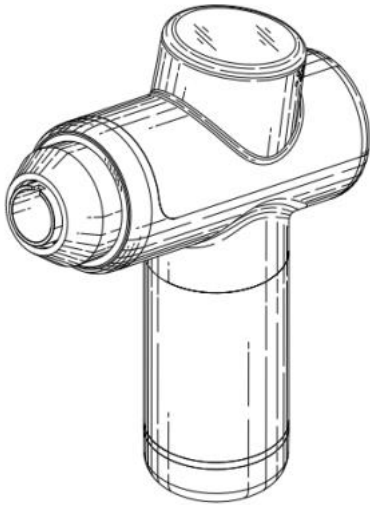
Percussive massage device

[73] HYPER ICE, INC.

525 Technology Drive, Suite 100,
Irvine, California 92618,
United States of America

[74] CHINA PATENT AGENT (HONG KONG) LIMITED

22/F, Great Eagle Centre,
23 Harbour Road,
Wanchai, Hong Kong



[11] 2118763.2M001

[15] 29-09-2021

[30] 31-03-2021 / CH, GB, EU, JP, KR / DM/213 872

[51] Cl. 11-01

[54] 手鐲

Bracelet

[73] Cartier International AG

Hinterbergstrasse 22,
6312 Steinhausen,
Switzerland

[74] DEACONS

5th Floor, Alexandra House,
Central,
Hong Kong



[11] 2118763.2M002

[15] 29-09-2021

[30] 31-03-2021 / CH, GB, EU, JP, KR / DM/213 872

[51] Cl. 11-01

[54] 項鍊

Necklace

[73] Cartier International AG

Hinterbergstrasse 22,

6312 Steinhausen,

Switzerland

[74] DEACONS

5th Floor, Alexandra House,

Central,

Hong Kong



[11] 2118764.4M001

[15] 29-09-2021

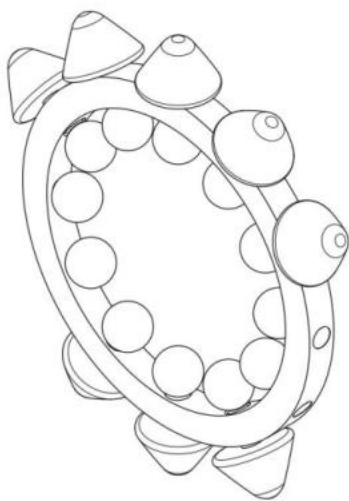
[30] 31-03-2021 / CH, GB, EU, JP, KR / WIPO103464

[51] Cl. 11-01

[54] 戒指
Ring

[73] Cartier International AG
Hinterbergstrasse 22,
6312 Steinhausen,
Switzerland

[74] DEACONS
5th Floor, Alexandra House,
Central,
Hong Kong



[11] 2118764.4M002

[15] 29-09-2021

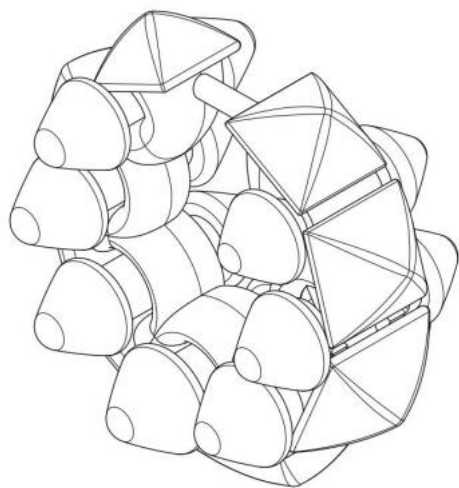
[30] 31-03-2021 / CH, GB, EU, JP, KR / WIPO103464

[51] Cl. 11-01

[54] 手鐲
Bracelet

[73] Cartier International AG
Hinterbergstrasse 22,
6312 Steinhausen,
Switzerland

[74] DEACONS
5th Floor, Alexandra House,
Central,
Hong Kong



[11] 2118764.4M003

[15] 29-09-2021

[30] 31-03-2021 / CH, GB, EU, JP, KR / WIPO103464

[51] Cl. 11-01

[54] 耳環

Earrings

[73] Cartier International AG

Hinterbergstrasse 22,

6312 Steinhausen,

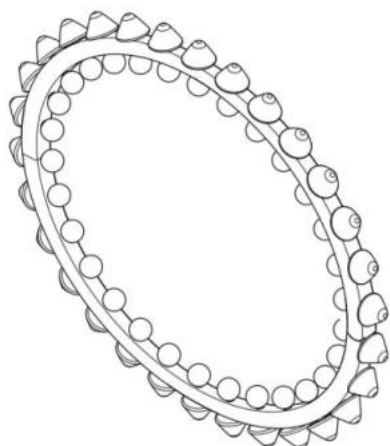
Switzerland

[74] DEACONS

5th Floor, Alexandra House,

Central,

Hong Kong



[11] 2118780.8M001

- [15] 30-09-2021
- [30] 19-04-2021 / CN / 202130222990.4
- [51] Cl. 14-03
- [54] 手機
Mobile phone
- [73] 榮耀終端有限公司
中國內地
廣東省深圳市福田區
香蜜湖街道東海社區紅荔西路 8089 號
深業中城 6 號樓 A 單元 3401 (郵編: 518040)
- [74] 高保知識產權代理有限公司
香港荃灣
白田壩街 36-44 號
信義工業大廈 9 樓



-
- [11] 2118780.8M002
- [15] 30-09-2021
- [30] 19-04-2021 / CN / 202130222990.4
- [51] Cl. 14-03
- [54] 手機
Mobile phone
- [73] 榮耀終端有限公司
中國內地
廣東省深圳市福田區
香蜜湖街道東海社區紅荔西路 8089 號
深業中城 6 號樓 A 單元 3401 (郵編: 518040)
- [74] 高保知識產權代理有限公司
香港荃灣

白田壩街 36-44 號
信義工業大廈 9 樓



[11] 2118780.8M003

[15] 30-09-2021

[30] 19-04-2021 / CN / 202130222990.4

[51] C1. 14-03

[54] 手機

Mobile phone

[73] 榮耀終端有限公司

中國內地

廣東省深圳市福田區

香蜜湖街道東海社區紅荔西路 8089 號

深業中城 6 號樓 A 單元 3401 (郵編: 518040)

[74] 高保知識產權代理有限公司

香港荃灣

白田壩街 36-44 號

信義工業大廈 9 樓



[11] 2118780.8M004

[15] 30-09-2021

[30] 19-04-2021 / CN / 202130222990.4

[51] Cl. 14-03

[54] 手機

Mobile phone

[73] 榮耀終端有限公司

中國內地

廣東省深圳市福田區

香蜜湖街道東海社區紅荔西路 8089 號

深業中城 6 號樓 A 單元 3401 (郵編: 518040)

[74] 高保知識產權代理有限公司

香港荃灣

白田壩街 36-44 號

信義工業大廈 9 樓



[11] 2118780.8M005

[15] 30-09-2021

[30] 19-04-2021 / CN / 202130222990.4

[51] C1. 14-03

[54] 手機

Mobile phone

[73] 榮耀終端有限公司

中國內地

廣東省深圳市福田區

香蜜湖街道東海社區紅荔西路 8089 號

深業中城 6 號樓 A 單元 3401 (郵編: 518040)

[74] 高保知識產權代理有限公司

香港荃灣

白田壩街 36-44 號

信義工業大廈 9 樓



[11] 2118780.8M006

[15] 30-09-2021

[30] 19-04-2021 / CN / 202130222990.4

[51] C1. 14-03

[54] 手機

Mobile phone

[73] 榮耀終端有限公司

中國內地

廣東省深圳市福田區

香蜜湖街道東海社區紅荔西路 8089 號
深業中城 6 號樓 A 單元 3401 (郵編: 518040)

- [74] 高保知識產權代理有限公司
香港荃灣
白田壩街 36-44 號
信義工業大廈 9 樓



-
- [11] 2118780.8M007
[15] 30-09-2021
[30] 19-04-2021 / CN / 202130222990.4
[51] Cl. 14-03
[54] 手機
Mobile phone
[73] 榮耀終端有限公司
中國內地
廣東省深圳市福田區
香蜜湖街道東海社區紅荔西路 8089 號
深業中城 6 號樓 A 單元 3401 (郵編: 518040)
[74] 高保知識產權代理有限公司
香港荃灣
白田壩街 36-44 號
信義工業大廈 9 樓



[11] 2118780.8M008

[15] 30-09-2021

[30] 19-04-2021 / CN / 202130222990.4

[51] Cl. 14-03

[54] 手機

Mobile phone

[73] 榮耀終端有限公司

中國內地

廣東省深圳市福田區

香蜜湖街道東海社區紅荔西路 8089 號

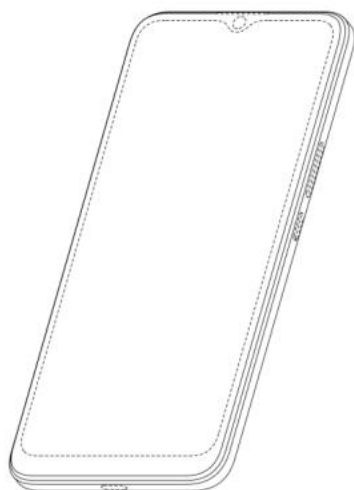
深業中城 6 號樓 A 單元 3401 (郵編: 518040)

[74] 高保知識產權代理有限公司

香港荃灣

白田壩街 36-44 號

信義工業大廈 9 樓



[11] 2118780.8M009

[15] 30-09-2021

[30] 19-04-2021 / CN / 202130222990.4

[51] Cl. 14-03

[54] 手機

Mobile phone

[73] 榮耀終端有限公司

中國內地

廣東省深圳市福田區

香蜜湖街道東海社區紅荔西路 8089 號

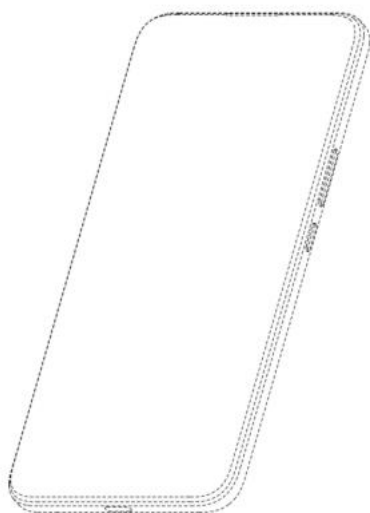
深業中城 6 號樓 A 單元 3401 (郵編: 518040)

[74] 高保知識產權代理有限公司

香港荃灣

白田壩街 36-44 號

信義工業大廈 9 樓



[11] 2118780.8M010

[15] 30-09-2021

[30] 19-04-2021 / CN / 202130222990.4

[51] Cl. 14-03

[54] 手機

Mobile phone

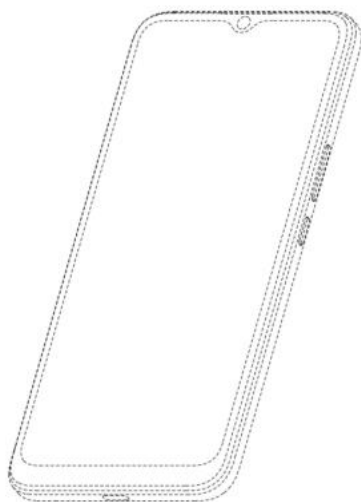
[73] 榮耀終端有限公司

中國內地

廣東省深圳市福田區

香蜜湖街道東海社區紅荔西路 8089 號
深業中城 6 號樓 A 單元 3401 (郵編: 518040)

- [74] 高保知識產權代理有限公司
香港荃灣
白田壩街 36-44 號
信義工業大廈 9 樓



[11] 2118783.4M001

[15] 30-09-2021

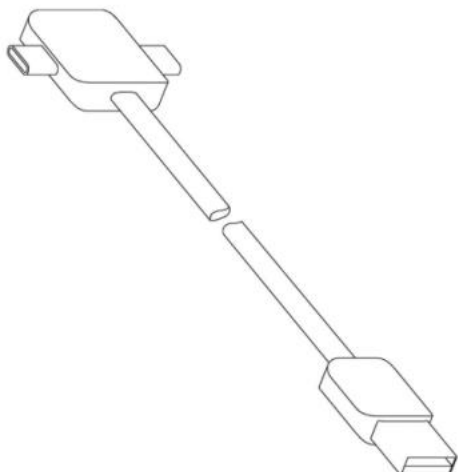
[30] 09-04-2021 / CN / 202130199566.2

[51] Cl. 14-99

[54] 數據傳輸及充電線
Data transmission and charging cable

[73] 北京小米移動軟件有限公司
Beijing Xiaomi Mobile Software Co., Ltd.
中國內地
北京市海澱區西二旗中路 33 號院
6 號樓 8 層 018 號

[74] 隆天專利商標代理有限公司
香港長沙灣
青山道 485 號
九龍廣場 10 樓 11 室



[11] 2118783.4M002

[15] 30-09-2021

[30] 09-04-2021 / CN / 202130199566.2

[51] Cl. 14-99

[54] 數據傳輸及充電線

Data transmission and charging cable

[73] 北京小米移動軟件有限公司

Beijing Xiaomi Mobile Software Co., Ltd.

中國內地

北京市海澱區西二旗中路 33 號院

6 號樓 8 層 018 號

[74] 隆天專利商標代理有限公司

香港長沙灣

青山道 485 號

九龍廣場 10 樓 11 室



[11] 2118844.4M001

[15] 15-10-2021

[30] 16-04-2021 / MX / DM/213 975

[51] Cl. 14-04

[54] 用於顯示屏或其部分的動畫圖形用戶界面

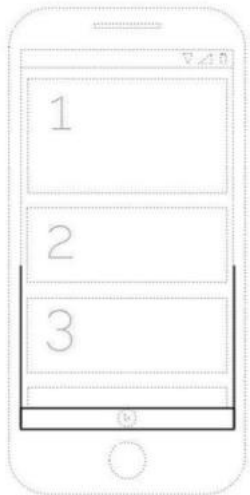
Animated graphical user interface for a display screen or portion thereof

[73] IMPACTIFY S.à.r.l.

43 Boulevard Pierre Frieden,
L-1543 Luxembourg,
Luxembourg

[74] MARKS & CLERK

Level 9, Cyberport 1,
100 Cyberport Road,
Pok Fu Lam, Hong Kong



[11] 2118844.4M002

[15] 15-10-2021

[30] 16-04-2021 / MX / DM/213 975

[51] Cl. 14-03

[54] 具有動畫圖形用戶界面的手持電子設備

Hand-held electronic device with an animated graphical user interface

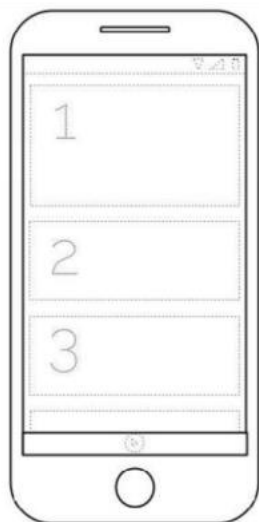
[73] IMPACTIFY S.à.r.l.

43 Boulevard Pierre Frieden,
L-1543 Luxembourg,
Luxembourg

[74] MARKS & CLERK

Level 9, Cyberport 1,

100 Cyberport Road,
Pok Fu Lam, Hong Kong



[11] 2118883.6

[15] 25-10-2021

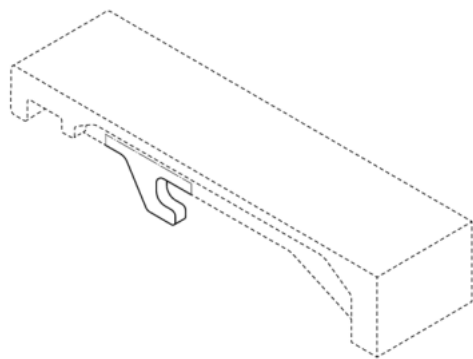
[30] 28-04-2021 / JP / 9098 of 2021

[51] Cl. 15-99

[54] 爐排用爐排片
Stoker fire grate

[73] EBARA ENVIRONMENTAL PATENT CO., LTD.
11-1, Haneda Asahi-cho, Ota-ku,
Tokyo 144-8510,
Japan

[74] WENPING PATENT & TRADE MARK AGENT LIMITED
1701 Tung Wai Commercial Building,
111 Gloucester Road,
Hong Kong



- [11] 2118913.1M001
[15] 02-11-2021
[51] Cl. 11-01
[54] 手鏈
Bracelet
[73] 雋亭有限公司
JOURDEN LIMITED
Flat 5, 8/F, 16 Wong Chuk Hang Road,
Wong Chuk Hang,
Hong Kong
[74] HONG KONG INTELLECTUAL PROPERTY AGENT LIMITED
Unit 230, 2/F, Building 12W,
No. 12 Science Park West Avenue,
Phase 3, Hong Kong Science Park,
Pak Shek Kok, N.T., Hong Kong



-
- [11] 2118913.1M002
[15] 02-11-2021
[51] Cl. 11-01
[54] 耳釘
Earring
[73] 雋亭有限公司
JOURDEN LIMITED
Flat 5, 8/F, 16 Wong Chuk Hang Road,
Wong Chuk Hang,
Hong Kong
[74] HONG KONG INTELLECTUAL PROPERTY AGENT LIMITED
Unit 230, 2/F, Building 12W,
No. 12 Science Park West Avenue,
Phase 3, Hong Kong Science Park,
Pak Shek Kok, N.T., Hong Kong



[11] 2118913.1M003

[15] 02-11-2021

[51] Cl. 11-01

[54] 戒指
Ring

[73] 雋亭有限公司

JOURDEN LIMITED

Flat 5, 8/F, 16 Wong Chuk Hang Road,
Wong Chuk Hang,
Hong Kong

[74] HONG KONG INTELLECTUAL PROPERTY AGENT LIMITED

Unit 230, 2/F, Building 12W,
No. 12 Science Park West Avenue,
Phase 3, Hong Kong Science Park,
Pak Shek Kok, N.T., Hong Kong



[11] 2118913.1M004

[15] 02-11-2021

[51] Cl. 11-01

[54] 耳墜

Earring

[73] 雋亭有限公司

JOURDEN LIMITED

Flat 5, 8/F, 16 Wong Chuk Hang Road,

Wong Chuk Hang,

Hong Kong

[74] HONG KONG INTELLECTUAL PROPERTY AGENT LIMITED

Unit 230, 2/F, Building 12W,

No. 12 Science Park West Avenue,

Phase 3, Hong Kong Science Park,

Pak Shek Kok, N.T., Hong Kong



[11] 2118913.1M005

[15] 02-11-2021

[51] Cl. 11-01

[54] 戒指

Ring

[73] 雋亭有限公司

JOURDEN LIMITED

Flat 5, 8/F, 16 Wong Chuk Hang Road,

Wong Chuk Hang,

Hong Kong

[74] HONG KONG INTELLECTUAL PROPERTY AGENT LIMITED

Unit 230, 2/F, Building 12W,

No. 12 Science Park West Avenue,

Phase 3, Hong Kong Science Park,

Pak Shek Kok, N.T., Hong Kong



[11] 2118913.1M006

[15] 02-11-2021

[51] Cl. 11-01

[54] 手鏈

Bracelet

[73] 雋亭有限公司

JOURDEN LIMITED

Flat 5, 8/F, 16 Wong Chuk Hang Road,

Wong Chuk Hang,

Hong Kong

[74] HONG KONG INTELLECTUAL PROPERTY AGENT LIMITED

Unit 230, 2/F, Building 12W,

No. 12 Science Park West Avenue,

Phase 3, Hong Kong Science Park,

Pak Shek Kok, N.T., Hong Kong



[11] 2118913.1M007

[15] 02-11-2021

[51] Cl. 11-01

[54] 頸鏈

Necklace

[73] 雋亭有限公司

JOURDEN LIMITED

Flat 5, 8/F, 16 Wong Chuk Hang Road,
Wong Chuk Hang,
Hong Kong

[74] HONG KONG INTELLECTUAL PROPERTY AGENT LIMITED

Unit 230, 2/F, Building 12W,
No. 12 Science Park West Avenue,
Phase 3, Hong Kong Science Park,
Pak Shek Kok, N.T., Hong Kong



[11] 2118913.1M008

[15] 02-11-2021

[51] Cl. 11-01

[54] 手鏈

Bracelet

[73] 雋亭有限公司

JOURDEN LIMITED

Flat 5, 8/F, 16 Wong Chuk Hang Road,
Wong Chuk Hang,
Hong Kong

[74] HONG KONG INTELLECTUAL PROPERTY AGENT LIMITED

Unit 230, 2/F, Building 12W,
No. 12 Science Park West Avenue,
Phase 3, Hong Kong Science Park,
Pak Shek Kok, N.T., Hong Kong



[11] 2118913.1M009

[15] 02-11-2021

[51] Cl. 11-01

[54] 頸鏈

Necklace

[73] 雋亭有限公司

JOURDEN LIMITED

Flat 5, 8/F, 16 Wong Chuk Hang Road,

Wong Chuk Hang,

Hong Kong

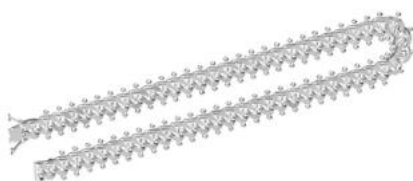
[74] HONG KONG INTELLECTUAL PROPERTY AGENT LIMITED

Unit 230, 2/F, Building 12W,

No. 12 Science Park West Avenue,

Phase 3, Hong Kong Science Park,

Pak Shek Kok, N.T., Hong Kong



[11] 2118913.1M010

[15] 02-11-2021

[51] Cl. 11-01

[54] 戒指

Ring

[73] 雋亭有限公司

JOURDEN LIMITED

Flat 5, 8/F, 16 Wong Chuk Hang Road,

Wong Chuk Hang,

Hong Kong

[74] HONG KONG INTELLECTUAL PROPERTY AGENT LIMITED

Unit 230, 2/F, Building 12W,

No. 12 Science Park West Avenue,

Phase 3, Hong Kong Science Park,

Pak Shek Kok, N.T., Hong Kong



[11] 2118913.1M011

[15] 02-11-2021

[51] Cl. 11-01

[54] 頸鏈

Necklace

[73] 雋亭有限公司

JOURDEN LIMITED

Flat 5, 8/F, 16 Wong Chuk Hang Road,

Wong Chuk Hang,

Hong Kong

[74] HONG KONG INTELLECTUAL PROPERTY AGENT LIMITED

Unit 230, 2/F, Building 12W,

No. 12 Science Park West Avenue,

Phase 3, Hong Kong Science Park,

Pak Shek Kok, N.T., Hong Kong



[11] 2118914.3

[15] 02-11-2021

[30] 31-05-2021 / AM, AZ, BZ, BA, GE, LI, MK, MD, MC, MN, ME, MA,
NO, OM, SG, CH, TN, TR, UA, GB, EU, AL, KG / DM/214 635

[51] Cl. 10-07

[54] 錶面
Dial

[73] MONTRES JAQUET DROZ SA (MONTRES JAQUET DROZ AG) (MONTRES
JAQUET DROZ LTD.)
Allée du Tourbillon 2,
CH-2300 La Chaux-de-Fonds,
Switzerland

[74] SPRUSON & FERGUSON (HONG KONG) LIMITED
5001 Hopewell Centre,
183 Queen's Road East,
Wan Chai, Hong Kong



[11] 2118923.2

[15] 03-11-2021

[51] Cl. 21-01

[54] 玩具恐龍移動基地台
Toy dino base station

[73] 集美塑膠玩具製品廠有限公司
CHAP MEI PLASTIC TOYS MANUFACTORY LIMITED
Unit 541, 5/F., Sino Industrial Plaza,
9 Kai Cheung Road,
Kowloon Bay, Kowloon, Hong Kong

[74] BENNY KONG & TSAI
Unit 19B, Overseas Trust Bank Building,
No. 160 Gloucester Road,
Wanchai, Hong Kong



[11] 2118924.4M001

[15] 03-11-2021

[30] 18-05-2021 / US / 29/784,221

[51] Cl. 4-02

[54] 牙刷刷頭

Toothbrush head

[73] World Wide Daily Holdings Company Limited

19/F., King Center,

5-9 Ka Hing Road,

Kwai Chung, N.T., Hong Kong

[74] World Wide Daily Holdings Company Limited

19/F., King Center,

5-9 Ka Hing Road,

Kwai Chung, N.T., Hong Kong



[11] 2118924.4M002

[15] 03-11-2021

[30] 18-05-2021 / US / 29/784,221

[51] Cl. 4-02

[54] 牙刷刷頭

Toothbrush head

[73] World Wide Daily Holdings Company Limited
19/F., King Center,
5-9 Ka Hing Road,
Kwai Chung, N.T., Hong Kong

[74] World Wide Daily Holdings Company Limited
19/F., King Center,
5-9 Ka Hing Road,
Kwai Chung, N.T., Hong Kong



[11] 2118924.4M003

[15] 03-11-2021

[30] 18-05-2021 / US / 29/784,224

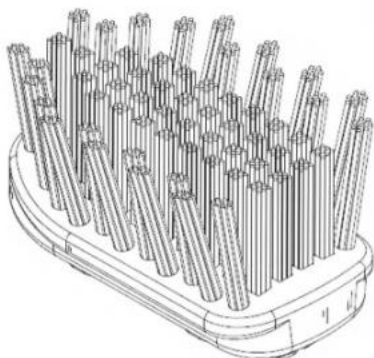
[51] Cl. 4-02

[54] 牙刷刷頭

Toothbrush head

[73] World Wide Daily Holdings Company Limited
19/F., King Center,
5-9 Ka Hing Road,
Kwai Chung, N.T., Hong Kong

[74] World Wide Daily Holdings Company Limited
19/F., King Center,
5-9 Ka Hing Road,
Kwai Chung, N.T., Hong Kong



- [11] 2118924.4M004
[15] 03-11-2021
[30] 18-05-2021 / US / 29/784,224
[51] Cl. 4-02
[54] 牙刷刷頭
Toothbrush head
[73] World Wide Daily Holdings Company Limited
19/F., King Center,
5-9 Ka Hing Road,
Kwai Chung, N.T., Hong Kong
[74] World Wide Daily Holdings Company Limited
19/F., King Center,
5-9 Ka Hing Road,
Kwai Chung, N.T., Hong Kong



- [11] 2118925.7M001
[15] 03-11-2021
[30] 18-05-2021 / US / 29/784,219
[51] Cl. 4-02
[54] 牙刷
Toothbrush
[73] World Wide Daily Holdings Company Limited
19/F., King Center,
5-9 Ka Hing Road,
Kwai Chung, N.T., Hong Kong
[74] World Wide Daily Holdings Company Limited
19/F., King Center,
5-9 Ka Hing Road,
Kwai Chung, N.T., Hong Kong



[11] 2118925.7M002

[15] 03-11-2021

[30] 18-05-2021 / US / 29/784,222

[51] Cl. 4-02

[54] 牙刷

Toothbrush

[73] World Wide Daily Holdings Company Limited

19/F., King Center,

5-9 Ka Hing Road,

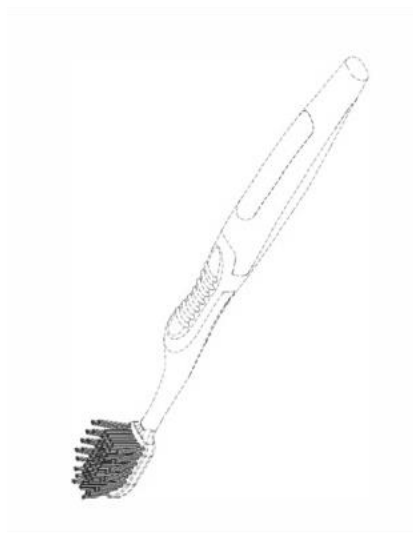
Kwai Chung, N.T., Hong Kong

[74] World Wide Daily Holdings Company Limited

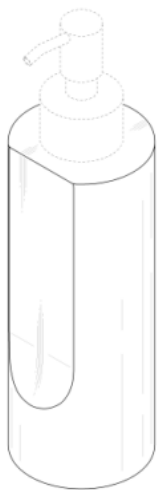
19/F., King Center,

5-9 Ka Hing Road,

Kwai Chung, N.T., Hong Kong



- [11] 2118929.5
[15] 03-11-2021
[30] 27-05-2021 / KR / 30-2021-0025162
[51] Cl. 9-01
[54] 化妝品容器
Cosmetic container
[73] AE KYUNG INDUSTRIAL CO., LTD
188, Yanghwa-ro,
Mapo-gu, Seoul,
Korea, Republic of
[74] WENPING PATENT & TRADE MARK AGENT LIMITED
1701 Tung Wai Commercial Building,
111 Gloucester Road,
Hong Kong



-
- [11] 2118931.9
[15] 03-11-2021
[51] Cl. 10-02
[54] 手表
Watch
[73] 艾米龍時計(深圳)有限公司
Emile Chouriet Horologe (Shenzhen) Co.,Ltd.
中國內地
廣東省深圳市南山區
粵海街道高新區社區高新南一道 002 號
飛亞達科技大廈 19 樓西區
[74] HK STANDARD INTELLECTUAL PROPERTY LIMITED
香港中環
干諾道中 64 號
中華廠商會大廈 21 樓



[11] 2118934.5M001

[15] 04-11-2021

[51] Cl. 23-04

[54] 香薰機

Aroma diffuser

[73] 季節智能電器有限公司

SSAW Limited

Unit 4711, 47/F., The Center,

99 Queen's Road Central,

Central, Hong Kong

[74] FEDERATION OF HONG KONG INDUSTRIES

31/F, Billion Plaza,

8 Cheung Yue Street,

Cheung Sha Wan, Kowloon, Hong Kong



[11] 2118934.5M002

[15] 04-11-2021

[51] Cl. 23-04

[54] 香薰機

Aroma diffuser

[73] 季節智能電器有限公司

SSAW Limited

Unit 4711, 47/F., The Center,

99 Queen's Road Central,

Central, Hong Kong

[74] FEDERATION OF HONG KONG INDUSTRIES

31/F, Billion Plaza,

8 Cheung Yue Street,

Cheung Sha Wan, Kowloon, Hong Kong



[11] 2118934.5M003

[15] 04-11-2021

[51] Cl. 23-04

[54] 香薰機

Aroma diffuser

[73] 季節智能電器有限公司

SSAW Limited

Unit 4711, 47/F., The Center,

99 Queen's Road Central,

Central, Hong Kong

[74] FEDERATION OF HONG KONG INDUSTRIES

31/F, Billion Plaza,

8 Cheung Yue Street,

Cheung Sha Wan, Kowloon, Hong Kong



[11] 2118935.8

[15] 04-11-2021

[30] 17-08-2021 / CN / 202130534511.2

[51] C1. 13-02

[54] 多功能無線充電擴展塢

Multifunctional wireless charging docking station

[73] 前海駿達（深圳）股權投資有限公司

QIANHAI JUNDA (SHENZHEN) EQUITY INVESTMENT CO., LTD

中國內地

廣東省深圳市龍華新區大浪街道

同勝社區華榮路聯建科技工業園廠房 8 棟 4, 5, 6 樓

[74] 中一聯合國際知識產權有限公司

香港九龍

尖沙咀漆咸道南 45-51 號

其士大廈 803 室



[11] 2118936.0

[15] 04-11-2021

[30] 06-07-2021 / CN / 202130425178.1

[51] Cl. 13-02

[54] 無線充電器
Wireless charger

[73] 前海駿達（深圳）股權投資有限公司
QIANHAI JUNDA (SHENZHEN) EQUITY INVESTMENT CO., LTD.
中國內地
廣東省深圳市龍華新區大浪街道
同勝社區華榮路聯建科技工業園廠房 8 棟 4,5,6 樓

[74] 中一聯合國際知識產權有限公司
香港九龍
尖沙咀漆咸道南 45-51 號
其士大廈 803 室



[11] 2118938.4M001

[15] 04-11-2021

[30] 04-06-2021 / CA, AM, AZ, BZ, BA, GE, LI, MK, MD, MC, MN, ME,
MA, NO, OM, SG, CH, TN, TR, UA, GB, EU, AL, KG / DM/214 621

[51] Cl. 11-01

[54] 耳環
Earrings

[73] Harry Winston SA
Chemin du Tourbillon 8,
CH-1228 Plan-les-Ouates,
Switzerland

[74] SPRUSON & FERGUSON (HONG KONG) LIMITED
5001 Hopewell Centre,
183 Queen's Road East,
Wan Chai, Hong Kong



[11] 2118938.4M002

[15] 04-11-2021

[30] 04-06-2021 / CA, AM, AZ, BZ, BA, GE, LI, MK, MD, MC, MN, ME, MA, NO, OM, SG, CH, TN, TR, UA, GB, EU, AL, KG / DM/214 621

[51] Cl. 11-01

[54] 指環

Ring

[73] Harry Winston SA

Chemin du Tourbillon 8,
CH-1228 Plan-les-Ouates,
Switzerland

[74] SPRUSON & FERGUSON (HONG KONG) LIMITED

5001 Hopewell Centre,
183 Queen's Road East,
Wan Chai, Hong Kong



[11] 2118938.4M003

[15] 04-11-2021

[30] 04-06-2021 / CA, AM, AZ, BZ, BA, GE, LI, MK, MD, MC, MN, ME, MA, NO, OM, SG, CH, TN, TR, UA, GB, EU, AL, KG / DM/214 621

[51] Cl. 11-01

[54] 指環
Ring

[73] Harry Winston SA
Chemin du Tourbillon 8,
CH-1228 Plan-les-Ouates,
Switzerland

[74] SPRUSON & FERGUSON (HONG KONG) LIMITED
5001 Hopewell Centre,
183 Queen's Road East,
Wan Chai, Hong Kong



[11] 2118944.6M001

[15] 05-11-2021

[30] 02-09-2021 / CH, TR, GB, EU / DM/216 452

[51] Cl. 10-02

[54] 手錶

Wristwatch

[73] ETA SA Manufacture Horlogere Suisse
CH-2540 Grenchen,
Switzerland

[74] SPRUSON & FERGUSON (HONG KONG) LIMITED
5001 Hopewell Centre,
183 Queen's Road East,
Wan Chai, Hong Kong
HONG KONG



[11] 2118944.6M002

[15] 05-11-2021

[30] 02-09-2021 / CH, TR, GB, EU / DM/216 452

[51] Cl. 10-02

[54] 手錶

Wristwatch

[73] ETA SA Manufacture Horlogere Suisse

CH-2540 Grenchen,

Switzerland

[74] SPRUSON & FERGUSON (HONG KONG) LIMITED

5001 Hopewell Centre,

183 Queen's Road East,

Wan Chai, Hong Kong

HONG KONG



- [11] 2118946.1
[15] 11-11-2021
[51] Cl. 9-03
[54] 包裝用鐵罐
Tin for packaging purpose
[73] 王偉成
香港葵涌
葵豐街 1-15 號
盈業大廈 A 座 10 樓 12 室
[74] 王偉成
香港葵涌
葵豐街 1-15 號
盈業大廈 A 座 10 樓 12 室



-
- [11] 2118947.3M001
[15] 08-11-2021
[51] Cl. 11-01
[54] 飾物設計
Ornament design
[73] 六福集團有限公司
Luk Fook Holdings Company Limited
Floor 15, 20, 25 & 27, Metropole Square,
No.2 On Yiu Street,
Shatin, New Territories, Hong Kong
[74] Luk Fook Holdings Company Limited (Legal Affairs Department)
Floor 25, Metropole Square,
No.2 On Yiu Street,
Shatin, New Territories, Hong Kong



[11] 2118947.3M002

[15] 08-11-2021

[51] Cl. 11-02

[54] 飾物設計

Ornament design

[73] 六福集團有限公司

Luk Fook Holdings Company Limited

Floor 15, 20, 25 & 27, Metropole Square,

No.2 On Yiu Street,

Shatin, New Territories, Hong Kong

[74] Luk Fook Holdings Company Limited (Legal Affairs Department)

Floor 25, Metropole Square,

No.2 On Yiu Street,

Shatin, New Territories, Hong Kong



[11] 2118947.3M003

[15] 08-11-2021

[51] Cl. 11-02

[54] 飾物設計

Ornament design

[73] 六福集團有限公司

Luk Fook Holdings Company Limited

Floor 15, 20, 25 & 27, Metropole Square,

No.2 On Yiu Street,
Shatin, New Territories, Hong Kong

- [74] Luk Fook Holdings Company Limited (Legal Affairs Department)
Floor 25, Metropole Square,
No.2 On Yiu Street,
Shatin, New Territories, Hong Kong



[11] 2118947.3M004

[15] 08-11-2021

[51] Cl. 11-02

[54] 飾物設計
Ornament design

[73] 六福集團有限公司
Luk Fook Holdings Company Limited
Floor 15, 20, 25 & 27, Metropole Square,
No.2 On Yiu Street,
Shatin, New Territories, Hong Kong

[74] Luk Fook Holdings Company Limited (Legal Affairs Department)
Floor 25, Metropole Square,
No.2 On Yiu Street,
Shatin, New Territories, Hong Kong



[11] 2118947.3M005

[15] 08-11-2021

[51] Cl. 11-02

[54] 飾物設計

Ornament design

[73] 六福集團有限公司

Luk Fook Holdings Company Limited
Floor 15, 20, 25 & 27, Metropole Square,
No.2 On Yiu Street,
Shatin, New Territories, Hong Kong

[74] Luk Fook Holdings Company Limited (Legal Affairs Department)

Floor 25, Metropole Square,
No.2 On Yiu Street,
Shatin, New Territories, Hong Kong



[11] 2118947.3M006

[15] 08-11-2021

[51] Cl. 11-02

[54] 飾物設計

Ornament design

[73] 六福集團有限公司

Luk Fook Holdings Company Limited
Floor 15, 20, 25 & 27, Metropole Square,
No.2 On Yiu Street,
Shatin, New Territories, Hong Kong

[74] Luk Fook Holdings Company Limited (Legal Affairs Department)

Floor 25, Metropole Square,
No.2 On Yiu Street,
Shatin, New Territories, Hong Kong



[11] 2118947.3M007

[15] 08-11-2021

[51] Cl. 11-02

[54] 飾物設計

Ornament design

[73] 六福集團有限公司

Luk Fook Holdings Company Limited
Floor 15, 20, 25 & 27, Metropole Square,
No.2 On Yiu Street,
Shatin, New Territories, Hong Kong

[74] Luk Fook Holdings Company Limited (Legal Affairs Department)

Floor 25, Metropole Square,
No.2 On Yiu Street,
Shatin, New Territories, Hong Kong



[11] 2118947.3M008

[15] 08-11-2021

[51] Cl. 11-02

[54] 飾物設計

Ornament design

[73] 六福集團有限公司

Luk Fook Holdings Company Limited
Floor 15, 20, 25 & 27, Metropole Square,
No.2 On Yiu Street,
Shatin, New Territories, Hong Kong

[74] Luk Fook Holdings Company Limited (Legal Affairs Department)

Floor 25, Metropole Square,
No.2 On Yiu Street,
Shatin, New Territories, Hong Kong



[11] 2118947.3M009

[15] 08-11-2021

[51] Cl. 11-02

[54] 飾物設計

Ornament design

[73] 六福集團有限公司

Luk Fook Holdings Company Limited

Floor 15, 20, 25 & 27, Metropole Square,

No.2 On Yiu Street,

Shatin, New Territories, Hong Kong

[74] Luk Fook Holdings Company Limited (Legal Affairs Department)

Floor 25, Metropole Square,

No.2 On Yiu Street,

Shatin, New Territories, Hong Kong



[11] 2118947.3M010

[15] 08-11-2021

[51] Cl. 11-02

[54] 飾物設計

Ornament design

[73] 六福集團有限公司

Luk Fook Holdings Company Limited

Floor 15, 20, 25 & 27, Metropole Square,

No.2 On Yiu Street,

Shatin, New Territories, Hong Kong

[74] Luk Fook Holdings Company Limited (Legal Affairs Department)

Floor 25, Metropole Square,

No.2 On Yiu Street,

Shatin, New Territories, Hong Kong



[11] 2118947.3M011

[15] 08-11-2021

[51] Cl. 11-02

[54] 飾物設計
Ornament design

[73] 六福集團有限公司
Luk Fook Holdings Company Limited
Floor 15, 20, 25 & 27, Metropole Square,
No.2 On Yiu Street,
Shatin, New Territories, Hong Kong

[74] Luk Fook Holdings Company Limited (Legal Affairs Department)
Floor 25, Metropole Square,
No.2 On Yiu Street,
Shatin, New Territories, Hong Kong



[11] 2118947.3M012

[15] 08-11-2021

[51] Cl. 11-02

[54] 飾物設計
Ornament design

[73] 六福集團有限公司

Luk Fook Holdings Company Limited
Floor 15, 20, 25 & 27, Metropole Square,
No.2 On Yiu Street,
Shatin, New Territories, Hong Kong

[74] Luk Fook Holdings Company Limited (Legal Affairs Department)

Floor 25, Metropole Square,
No.2 On Yiu Street,
Shatin, New Territories, Hong Kong



[11] 2118947.3M013

[15] 08-11-2021

[51] Cl. 11-02

[54] 飾物設計

Ornament design

[73] 六福集團有限公司

Luk Fook Holdings Company Limited
Floor 15, 20, 25 & 27, Metropole Square,
No.2 On Yiu Street,
Shatin, New Territories, Hong Kong

[74] Luk Fook Holdings Company Limited (Legal Affairs Department)

Floor 25, Metropole Square,
No.2 On Yiu Street,
Shatin, New Territories, Hong Kong



[11] 2118948.5

[15] 08-11-2021

[51] Cl. 21-01

[54] 公仔

Doll

[73] 許懷雯

HUI WAI MAN

Flat 15G, Tower 8, The Regent,

8 Shan Tong Road,

Tai Po, New Territories, Hong Kong

[74] HUI WAI MAN

Flat 15G, Tower 8, The Regent,

8 Shan Tong Road,

Tai Po, New Territories, Hong Kong



[11] 2118950.9

[15] 10-11-2021

[51] Cl. 9-01

[54] 容納管 (美體手霜)

Container (Beauty body hand treatment)

[73] AXXZIA 股份有限公司

AXXZIA INC.

6-3-1 Nishi-Shinjuku,

Shinjuku-ku, Tokyo,

Japan

[74] CLT PATENT & TRADEMARK (H.K.) LIMITED

Unit 09, 34/F., Office Tower, Convention Plaza,

1 Harbour Road,

Wanchai, Hong Kong



[11] 2118951.1

[15] 10-11-2021

[51] Cl. 9-01

[54] 容納瓶 (美體保濕護理精華)
Container (Beauty body moist care essence)

[73] AXXZIA 股份有限公司
AXXZIA INC.
6-3-1 Nishi-Shinjuku,
Shinjuku-ku, Tokyo,
Japan

[74] CLT PATENT & TRADEMARK (H.K.) LIMITED
Unit 09, 34/F., Office Tower, Convention Plaza,
1 Harbour Road,
Wanchai, Hong Kong



[11] 2118952.3

[15] 10-11-2021

[51] Cl. 4-02

[54] 牙刷

Toothbrush

[73] 好維股份有限公司

Hawley & Hazel (BVI) Co. Ltd.

Trident Chambers, P. O. Box 146,

Road Town, Tortola,

Virgin Islands, British

[74] BAKER & McKENZIE

14th Floor, One Taikoo Place,

979 King's Road,

Quarry Bay, Hong Kong



[11] 2118953.5

[15] 10-11-2021

[30] 24-06-2021 / NO, SG, CH, GB, EU, JP, KR / DM/215 307

[51] Cl. 7-02

[54] 鍋具

Cooking pot

[73] Pi-Design AG

Kantonsstrasse 100,

CH-6234 Triengen,

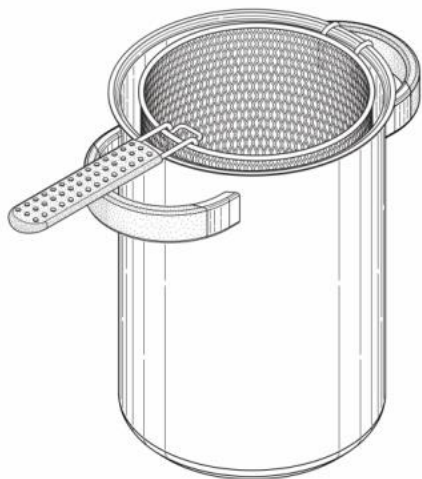
Switzerland

[74] WENPING PATENT & TRADE MARK AGENT LIMITED

1701 Tung Wai Commercial Building,

111 Gloucester Road,

Hong Kong



[11] 2118955.0

[15] 10-11-2021

[51] Cl. 8-08

[54] 用於手提電話的掛件固定夾片

Clipping plate for attaching accessory to mobile phone

[73] CASETAGRAM LIMITED

11/F, Fun Tower,

35 Hung To Road,

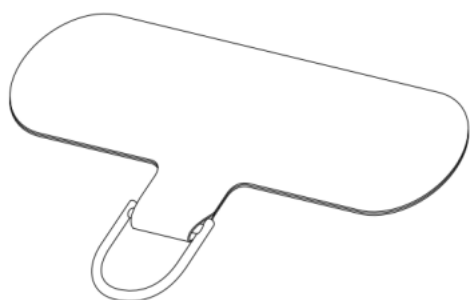
Kwun Tong, Kowloon, Hong Kong

[74] CHINAHONGKONG PATENT LIMITED

1502, 15/F, Capital Centre,

151 Gloucester Road,

Wanchai, Hong Kong



[11] 2118960.0

[15] 10-11-2021

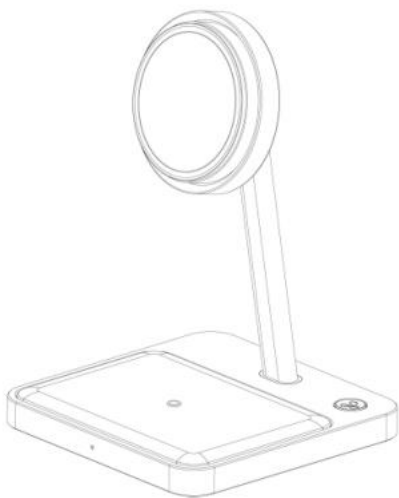
[30] 14-10-2021 / CN / 202130674011.9

[51] Cl. 14-06

[54] 無線充電支架
Wireless charging holder

[73] 廣東高普達集團股份有限公司
GUANGDONG GOPOD GROUP HOLDING CO., LTD
中國內地
廣東省深圳市龍華新區大浪街道同勝社區華榮路
聯建科技工業園廠房 8 棟 4,5,6 樓

[74] 中一聯合國際知識產權有限公司
香港九龍
尖沙咀漆咸道南 45-51 號
其士大廈 803 室



[11] 2118961.2

[15] 10-11-2021

[30] 25-08-2021 / CN / 202130557531.1

[51] C1. 13-02

[54] 多功能無線充電擴展塢
Multifunctional wireless charging docking station

[73] 前海駿達（深圳）股權投資有限公司
QIANHAI JUNDA (SHENZHEN) EQUITY INVESTMENT CO., LTD.
中國內地
廣東省深圳市龍華新區大浪街道同勝社區華榮路
聯建科技工業園廠房 8 棟 4,5,6 樓

[74] 中一聯合國際知識產權有限公司
香港九龍
尖沙咀漆咸道南 45-51 號
其士大廈 803 室



[11] 2118962.4

[15] 13-08-2021

[30] 07-06-2021 / CN / 202130349292.0

[51] Cl. 13-02

[54] 無線充電器套裝

Wireless charger set

[73] 前海駿達（深圳）股權投資有限公司

QIANHAI JUNDA (SHENZHEN) EQUITY INVESTMENT CO., LTD.

中國內地

廣東省深圳市龍華新區大浪街道同勝社區華榮路

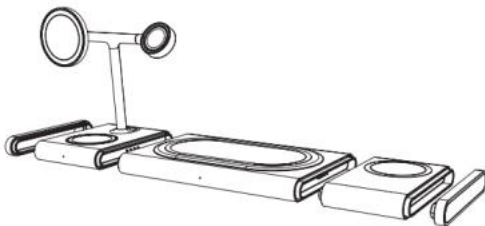
聯建科技工業園廠房 8 棟 4, 5, 6 樓

[74] 中一聯合國際知識產權有限公司

香港九龍

尖沙咀漆咸道南 45-51 號

其士大廈 803 室



[11] 2118963.6M001

[15] 11-11-2021

[51] Cl. 11-01

[54] 戒指

Ring

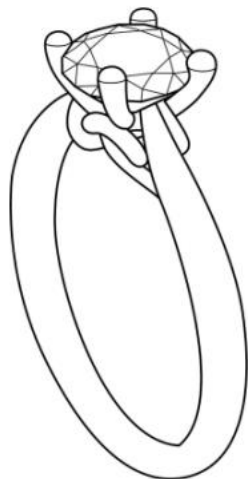
[73] 周生生珠寶金行有限公司

Chow Sang Sang Jewellery Company Limited

4/F., Chow Sang Sang Building,

229 Nathan Road, Kowloon,
Hong Kong

[74] HONG KONG INTELLECTUAL PROPERTY AGENT LIMITED
Unit 230, 2/F, Building 12W,
No. 12 Science Park West Avenue,
Phase 3, Hong Kong Science Park,
Pak Shek Kok, N.T., Hong Kong



[11] 2118963.6M002

[15] 11-11-2021

[51] Cl. 11-01

[54] 戒指
Ring

[73] 周生生珠寶金行有限公司
Chow Sang Sang Jewellery Company Limited
4/F., Chow Sang Sang Building,
229 Nathan Road, Kowloon,
Hong Kong

[74] HONG KONG INTELLECTUAL PROPERTY AGENT LIMITED
Unit 230, 2/F, Building 12W,
No. 12 Science Park West Avenue,
Phase 3, Hong Kong Science Park,
Pak Shek Kok, N.T., Hong Kong



[11] 2118963.6M003

[15] 11-11-2021

[51] Cl. 11-01

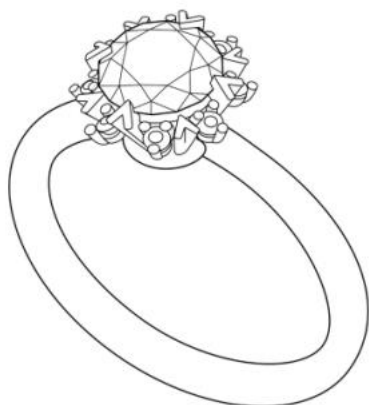
[54] 戒指
Ring

[73] 周生生珠寶金行有限公司

Chow Sang Sang Jewellery Company Limited
4/F., Chow Sang Sang Building,
229 Nathan Road, Kowloon,
Hong Kong

[74] HONG KONG INTELLECTUAL PROPERTY AGENT LIMITED

Unit 230, 2/F, Building 12W,
No. 12 Science Park West Avenue,
Phase 3, Hong Kong Science Park,
Pak Shek Kok, N.T., Hong Kong



- [11] 2118963.6M004
- [15] 11-11-2021
- [51] Cl. 11-01
- [54] 戒指
Ring
- [73] 周生生珠寶金行有限公司
Chow Sang Sang Jewellery Company Limited
4/F., Chow Sang Sang Building,
229 Nathan Road, Kowloon,
Hong Kong
- [74] HONG KONG INTELLECTUAL PROPERTY AGENT LIMITED
Unit 230, 2/F, Building 12W,
No. 12 Science Park West Avenue,
Phase 3, Hong Kong Science Park,
Pak Shek Kok, N.T., Hong Kong



-
- [11] 2118963.6M005
- [15] 11-11-2021
- [51] Cl. 11-01
- [54] 吊墜
Pendant
- [73] 周生生珠寶金行有限公司
Chow Sang Sang Jewellery Company Limited
4/F., Chow Sang Sang Building,
229 Nathan Road, Kowloon,
Hong Kong
- [74] HONG KONG INTELLECTUAL PROPERTY AGENT LIMITED
Unit 230, 2/F, Building 12W,
No. 12 Science Park West Avenue,
Phase 3, Hong Kong Science Park,
Pak Shek Kok, N.T., Hong Kong



[11] 2118964.8

[15] 11-11-2021

[51] Cl. 5-02

[54] 蕾絲圖案

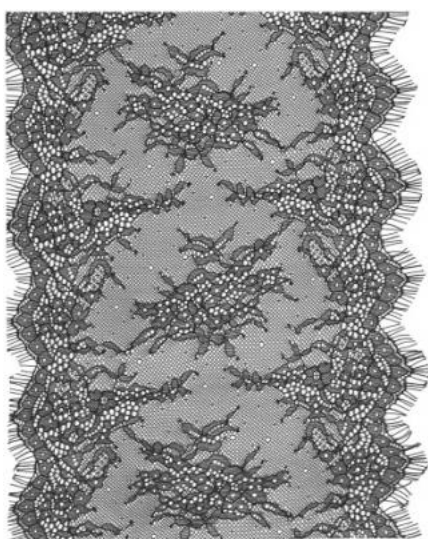
Lace pattern

[73] FOREST CHOICE LIMITED

Office B, 25/F, Kings Tower,
111 King Lam Street,
Cheung Sha Wan, Kowloon, Hong Kong

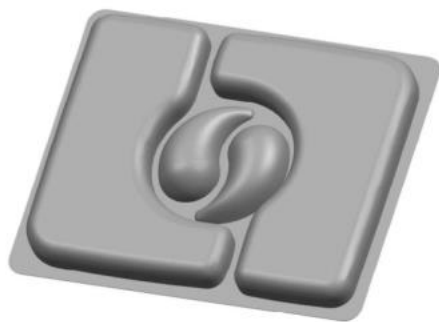
[74] Forest Choice Limited

Office B, 25/F, Kings Tower,
111 King Lam Street,
Cheung Sha Wan, Kowloon, Hong Kong



[11] 2118965.1

- [15] 11-11-2021
- [30] 17-09-2021 / CN / 202130618406.7
- [51] Cl. 28-99
- [54] 洗碗凝珠
Dishwasher tablet
- [73] 威萊亞太私人有限公司
WHEALTH LOHMANN CENTRALIN (ASIA PACIFIC) PTE. LTD.
新加坡
哈珀路 6 號#01-09
梁華大廈
- [74] 精英知識產權服務有限公司
香港九龍
彌敦道 695 號
永如大廈 12 字樓



-
- [11] 2118966.3M001
- [15] 11-11-2021
- [51] Cl. 8-06
- [54] 門鉸
Door hinge
- [73] 發進創科有限公司
Forture Technologies Limited
香港新界
荃灣馬角街 8-12 號
新豐工業大廈 2 樓 1 室
- [74] 卓遠知識產權有限公司
香港上環
禧利街 27 號
富輝商業中心 10 樓



[11] 2118966.3M002

[15] 11-11-2021

[51] Cl. 8-08

[54] 掛牆配件

Wall-mounted unit

[73] 發進創科有限公司

Forture Technologies Limited

香港新界

荃灣馬角街 8-12 號

新豐工業大廈 2 樓 1 室

[74] 卓遠知識產權有限公司

香港上環

禧利街 27 號

富輝商業中心 10 樓



[11] 2118967.5M001

[15] 11-11-2021

[51] Cl. 13-03

[54] U 型導體接線端
U-shaped conductor terminal block

[73] 發進創科有限公司
Forture Technologies Limited
香港新界
荃灣馬角街 8-12 號
新豐工業大廈 2 樓 1 室

[74] 卓遠知識產權有限公司
香港上環
禧利街 27 號
富輝商業中心 10 樓



[11] 2118967.5M002

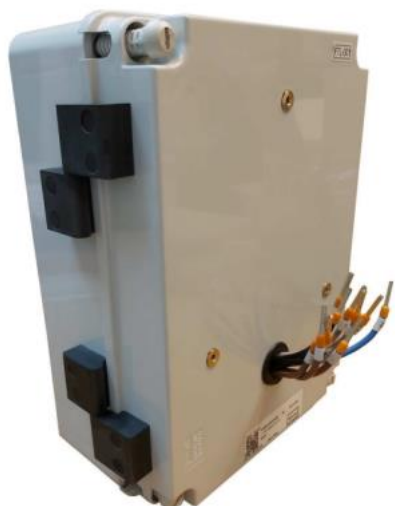
[15] 11-11-2021

[51] Cl. 13-03

[54] 電流互感器接線箱
Current transformer junction box

[73] 發進創科有限公司
Forture Technologies Limited
香港新界
荃灣馬角街 8-12 號
新豐工業大廈 2 樓 1 室

[74] 卓遠知識產權有限公司
香港上環
禧利街 27 號
富輝商業中心 10 樓



[11] 2118967.5M003

[15] 11-11-2021

[51] Cl. 13-03

[54] 接線箱

Junction box

[73] 發進創科有限公司

Forture Technologies Limited

香港新界

荃灣馬角街 8-12 號

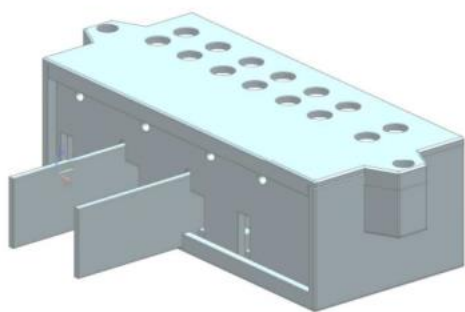
新豐工業大廈 2 樓 1 室

[74] 卓遠知識產權有限公司

香港上環

禧利街 27 號

富輝商業中心 10 樓



[11] 2118967.5M004

[15] 11-11-2021

[51] Cl. 13-03

[54] 接線箱連導體

Junction box with conductor

[73] 發進創科有限公司

Forture Technologies Limited

香港新界

荃灣馬角街 8-12 號

新豐工業大廈 2 樓 1 室

[74] 卓遠知識產權有限公司

香港上環

禧利街 27 號

富輝商業中心 10 樓



[11] 2118968.7

[15] 06-08-2021

[30] 08-02-2021 / CN / 202130095746.6

[51] Cl. 8-07

[54] 智能門鎖

Intelligent door lock

[73] 北京小米移動軟件有限公司

Beijing Xiaomi Mobile Software Co., Ltd.

中國內地

北京市海澱區西二旗中路 33 號院

6 號樓 8 層 018 號

[74] 隆天專利商標代理有限公司

香港

長沙灣青山道 485 號

九龍廣場 10 樓 11 室



[11] 2118969.9

[15] 11-11-2021

[30] 12-05-2021 / CN / 202130283850.8

[51] Cl. 23-04

[54] 風扇

Fan

[73] 廣東美的環境電器制造有限公司

GD Midea Environment Appliances MFG Co., Ltd.

No. 28 East district Hesui Industrial Park,

Dongfu Road, Dongfeng Zhongshan,

Guangdong 528425, China

[74] CLT PATENT & TRADEMARK (H.K.) LIMITED

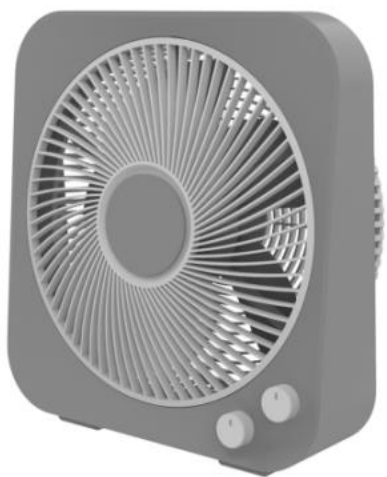
Unit 09, 34/F., Office Tower, Convention Plaza,

1 Harbour Road,

Wanchai, Hong Kong



- [11] 2118970.1
[15] 11-11-2021
[30] 12-05-2021 / CN / 202130283489.9
[51] Cl. 23-04
[54] 風扇
Fan
[73] 廣東美的環境電器制造有限公司
GD Midea Environment Appliances MFG Co., Ltd.
No. 28 East district Hesui Industrial Park,
Dongfu Road, Dongfeng Zhongshan,
Guangdong 528425, China
[74] CLT PATENT & TRADEMARK (H.K.) LIMITED
Unit 09, 34/F., Office Tower, Convention Plaza,
1 Harbour Road,
Wanchai, Hong Kong



-
- [11] 2118972.5
[15] 12-11-2021
[51] Cl. 13-02
[54] 磁吸無線充移動電源帶折疊支架
Magnetic wireless power bank with foldable stand
[73] 創品科技有限公司
Inno3C Limited
Flat/Rm 1902-03, 19/F, Elite Centre,
22 Hung To Road,
Kwun Tong, Kowloon, Hong Kong
[74] Inno3C Limited (創品科技有限公司)
Flat/Rm 1902-03, 19/F, Elite Centre,
22 Hung To Road,
Kwun Tong, Kowloon, Hong Kong



[11] 2118973.7M001

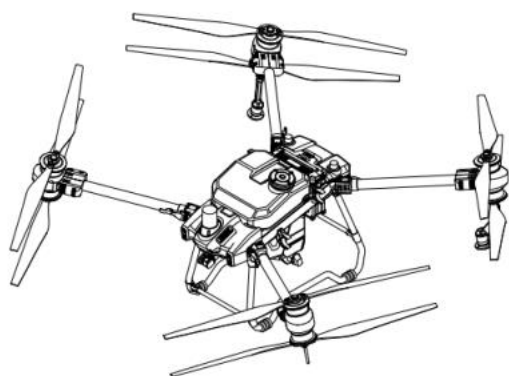
[15] 12-11-2021

[51] Cl. 12-07

[54] 無人機
Drone

[73] 深圳市大疆創新科技有限公司
中國內地
廣東省深圳市南山區高新區南區粵興一道 9 號
香港科大深圳產學研大樓 6 樓

[74] 香港知識產權代理有限公司
香港新界
白石角香港科學園第三期
科技大道西 12 號 2 樓 230 室



[11] 2118973.7M002

[15] 12-11-2021

[51] Cl. 12-07

[54] 無人機

Drone

[73] 深圳市大疆創新科技有限公司

中國內地

廣東省深圳市南山區高新區南區粵興一道 9 號

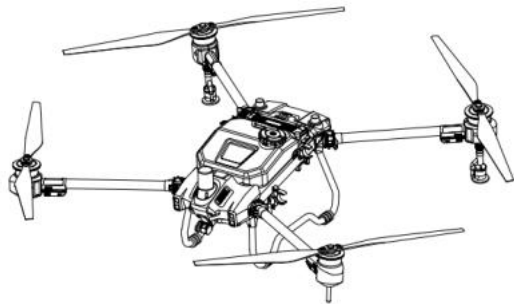
香港科大深圳產學研大樓 6 樓

[74] 香港知識產權代理有限公司

香港新界

白石角香港科學園第三期

科技大道西 12 號 2 樓 230 室



[11] 2118973.7M003

[15] 12-11-2021

[51] C1. 12-07

[54] 無人機

Drone

[73] 深圳市大疆創新科技有限公司

中國內地

廣東省深圳市南山區高新區南區粵興一道 9 號

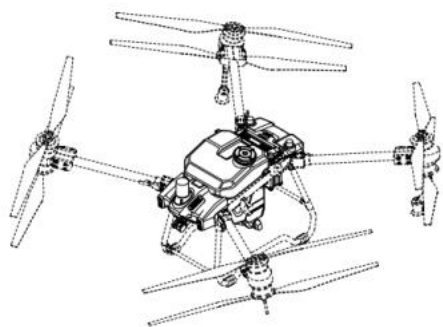
香港科大深圳產學研大樓 6 樓

[74] 香港知識產權代理有限公司

香港新界

白石角香港科學園第三期

科技大道西 12 號 2 樓 230 室



[11] 2118973.7M004

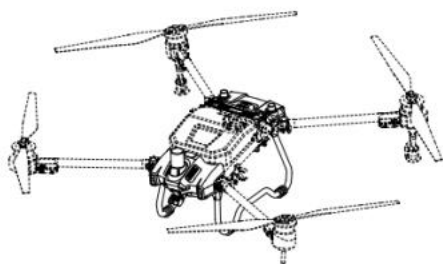
[15] 12-11-2021

[51] Cl. 12-07

[54] 無人機
Drone

[73] 深圳市大疆創新科技有限公司
中國內地
廣東省深圳市南山區高新區南區粵興一道 9 號
香港科大深圳產學研大樓 6 樓

[74] 香港知識產權代理有限公司
香港新界
白石角香港科學園第三期
科技大道西 12 號 2 樓 230 室



[11] 2118973.7M005

[15] 12-11-2021

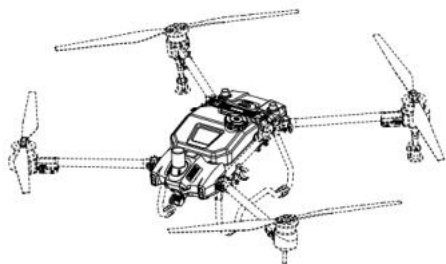
[51] Cl. 12-07

[54] 無人機
Drone

[73] 深圳市大疆創新科技有限公司
中國內地

廣東省深圳市南山區高新區南區粵興一道 9 號
香港科大深圳產學研大樓 6 樓

- [74] 香港知識產權代理有限公司
香港新界
白石角香港科學園第三期
科技大道西 12 號 2 樓 230 室



[11] 2118973.7M006

[15] 12-11-2021

[51] Cl. 12-07

[54] 無人機
Drone

- [73] 深圳市大疆創新科技有限公司
中國內地
廣東省深圳市南山區高新區南區粵興一道 9 號
香港科大深圳產學研大樓 6 樓

- [74] 香港知識產權代理有限公司
香港新界
白石角香港科學園第三期
科技大道西 12 號 2 樓 230 室



[11] 2118973.7M007

[15] 12-11-2021

[51] Cl. 12-07

[54] 無人機
Drone

[73] 深圳市大疆創新科技有限公司
中國內地
廣東省深圳市南山區高新區南區粵興一道 9 號
香港科大深圳產學研大樓 6 樓

[74] 香港知識產權代理有限公司
香港新界
白石角香港科學園第三期
科技大道西 12 號 2 樓 230 室



[11] 2118975.2M001

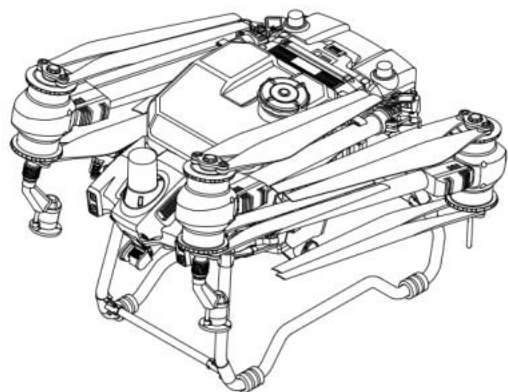
[15] 12-11-2021

[51] Cl. 12-07

[54] 無人機
Drone

[73] 深圳市大疆創新科技有限公司
中國內地
廣東省深圳市南山區高新區南區粵興一道 9 號
香港科大深圳產學研大樓 6 樓

[74] 香港知識產權代理有限公司
香港新界
白石角香港科學園第三期
科技大道西 12 號 2 樓 230 室



[11] 2118975.2M002

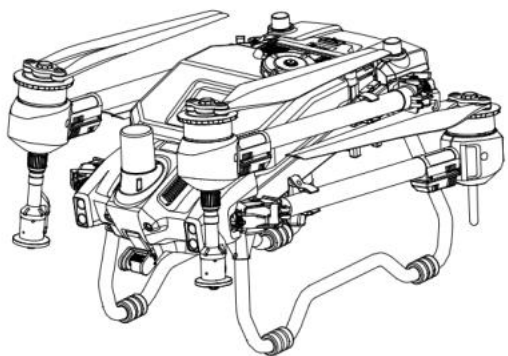
[15] 12-11-2021

[51] Cl. 12-07

[54] 無人機
Drone

[73] 深圳市大疆創新科技有限公司
中國內地
廣東省深圳市南山區高新區南區粵興一道 9 號
香港科大深圳產學研大樓 6 樓

[74] 香港知識產權代理有限公司
香港新界
白石角香港科學園第三期
科技大道西 12 號 2 樓 230 室



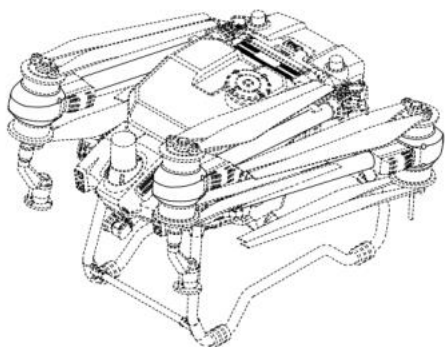
[11] 2118975.2M003

[15] 12-11-2021

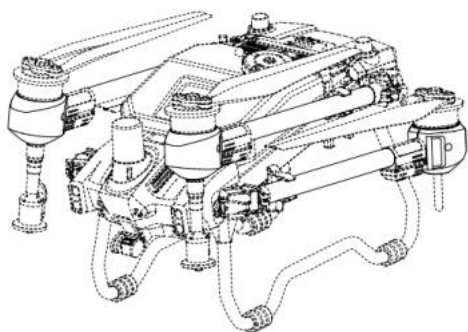
[51] Cl. 12-07

[54] 無人機
Drone

- [73] 深圳市大疆創新科技有限公司
中國內地
廣東省深圳市南山區高新區南區粵興一道 9 號
香港科大深圳產學研大樓 6 樓
- [74] 香港知識產權代理有限公司
香港新界
白石角香港科學園第三期
科技大道西 12 號 2 樓 230 室



-
- [11] 2118975.2M004
- [15] 12-11-2021
- [51] C1. 12-07
- [54] 無人機
Drone
- [73] 深圳市大疆創新科技有限公司
中國內地
廣東省深圳市南山區高新區南區粵興一道 9 號
香港科大深圳產學研大樓 6 樓
- [74] 香港知識產權代理有限公司
香港新界
白石角香港科學園第三期
科技大道西 12 號 2 樓 230 室



[11] 2118975.2M005

[15] 12-11-2021

[51] Cl. 12-07

[54] 無人機

Drone

[73] 深圳市大疆創新科技有限公司

中國內地

廣東省深圳市南山區高新區南區粵興一道 9 號

香港科大深圳產學研大樓 6 樓

[74] 香港知識產權代理有限公司

香港新界

白石角香港科學園第三期

科技大道西 12 號 2 樓 230 室



[11] 2118975.2M006

[15] 12-11-2021

[51] Cl. 12-07

[54] 無人機

Drone

[73] 深圳市大疆創新科技有限公司

中國內地

廣東省深圳市南山區高新區南區粵興一道 9 號

香港科大深圳產學研大樓 6 樓

[74] 香港知識產權代理有限公司

香港新界

白石角香港科學園第三期

科技大道西 12 號 2 樓 230 室



[11] 2118976.4M001

[15] 15-11-2021

[30] 14-06-2021 / CA, AM, AZ, BZ, BA, GE, LI, MK, MD, MC, MN, ME, MA, NO, OM, SG, CH, TN, TR, UA, GB, EU, AL, KG / DM/215 012

[51] Cl. 10-07

[54] 錶殼

Watch case

[73] Harry Winston SA

Chemin du Tourbillon 8,
CH-1228 Plan-les-Ouates,
Switzerland

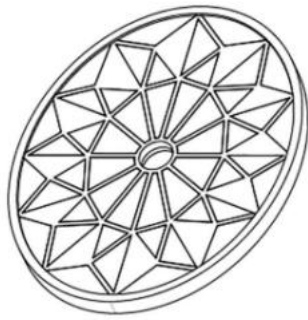
[74] SPRUSON & FERGUSON (HONG KONG) LIMITED

5001 Hopewell Centre,
183 Queen's Road East,
Wan Chai, Hong Kong

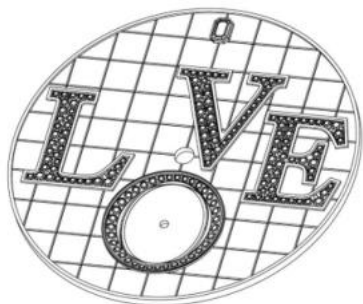


[11] 2118976.4M002

- [15] 15-11-2021
- [30] 14-06-2021 / CA, AM, AZ, BZ, BA, GE, LI, MK, MD, MC, MN, ME, MA, NO, OM, SG, CH, TN, TR, UA, GB, EU, AL, KG / DM/215 012
- [51] Cl. 10-07
- [54] 錶面
Dial
- [73] Harry Winston SA
Chemin du Tourbillon 8,
CH-1228 Plan-les-Ouates,
Switzerland
- [74] SPRUSON & FERGUSON (HONG KONG) LIMITED
5001 Hopewell Centre,
183 Queen's Road East,
Wan Chai, Hong Kong



-
- [11] 2118976.4M003
- [15] 15-11-2021
- [30] 14-06-2021 / CA, AM, AZ, BZ, BA, GE, LI, MK, MD, MC, MN, ME, MA, NO, OM, SG, CH, TN, TR, UA, GB, EU, AL, KG / DM/215 012
- [51] Cl. 10-07
- [54] 錶面
Dial
- [73] Harry Winston SA
Chemin du Tourbillon 8,
CH-1228 Plan-les-Ouates,
Switzerland
- [74] SPRUSON & FERGUSON (HONG KONG) LIMITED
5001 Hopewell Centre,
183 Queen's Road East,
Wan Chai, Hong Kong



[11] 2118976.4M004

[15] 15-11-2021

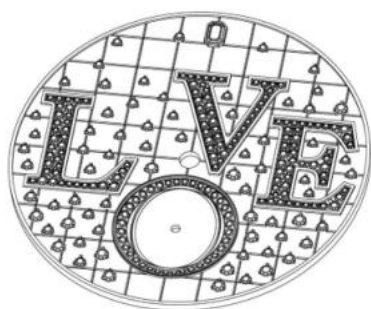
[30] 14-06-2021 / CA, AM, AZ, BZ, BA, GE, LI, MK, MD, MC, MN, ME, MA, NO, OM, SG, CH, TN, TR, UA, GB, EU, AL, KG / DM/215 012

[51] Cl. 10-07

[54] 錶面
Dial

[73] Harry Winston SA
Chemin du Tourbillon 8,
CH-1228 Plan-les-Ouates,
Switzerland

[74] SPRUSON & FERGUSON (HONG KONG) LIMITED
5001 Hopewell Centre,
183 Queen's Road East,
Wan Chai, Hong Kong



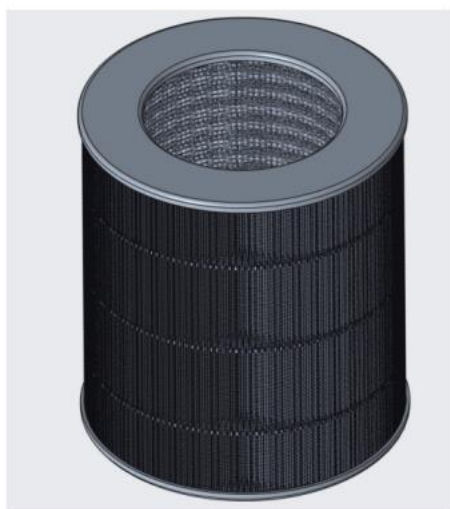
[11] 2118979.0

[15] 16-11-2021

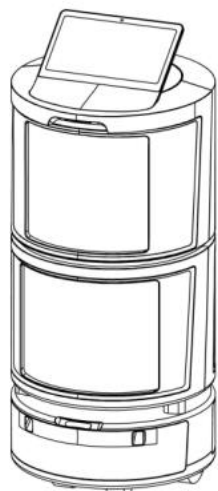
[30] 17-05-2021 / CN / 202130292785.5

[51] Cl. 23-04

- [54] 空氣淨化器的濾芯
Filter for an air filtration device
- [73] 深圳 TCL 新技術有限公司
SHENZHEN TCL NEW TECHNOLOGY CO., LTD.
中國內地
518052 廣東省深圳市南山區西麗街道
中山園路 1001 號國際 E 城 D4 棟 9 樓
- [74] 中港知識產權有限公司
香港灣仔
告士打道 151 號
資本中心 15 樓 1502 室



-
- [11] 2118980.2
- [15] 16-11-2021
- [30] 13-10-2021 / CN / 202130670106.3
- [51] C1. 15-99
- [54] 運輸機器人
Delivery robot
- [73] 睿博天米以色列有限公司
ROBOTEMI LTD
以色列
特拉維夫市，梅納赫姆·貝京路 156 號
27 樓，27-A1
- [74] 海思國際知識產權有限公司
香港灣仔
皇后大道東 183 號
合和中心 54 樓



[11] 2118981.4

[15] 16-11-2021

[51] Cl. 21-01

[54] 模型車

Model vehicle

[73] KABUSHIKI KAISHA TAMIYA (TAMIYA, INC.)

3-7, Ondawara,

Shizuoka-City, 422-8610,

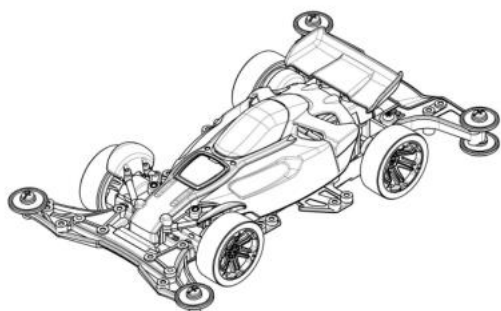
Japan

[74] GLOBAL ZEN IP SERVICES LIMITED

Room 1707, 17th Floor, Beverly House,

93-107 Lockhart Road,

Wanchai, Hong Kong



[11] 2118982.6

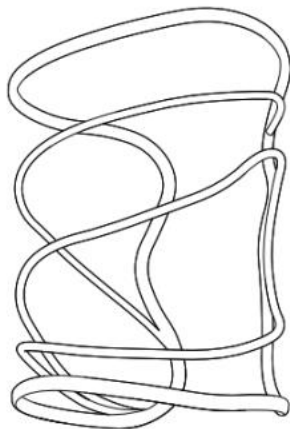
[15] 16-11-2021

[51] Cl. 11-01

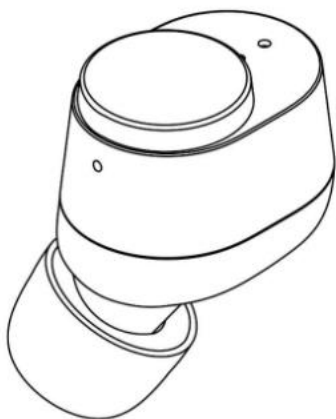
[54] 手鐲

Bracelet

- [73] Blue and White Design Company Limited
2/F., Dah Sing Life Building,
99 Des Voeux Road Central,
Central, Hong Kong
- [74] ACCOLADE IP LIMITED
10/F, Fu Fai Comm. Ctr.,
27 Hillier Street,
Sheung Wan, Hong Kong



-
- [11] 2118983.8
[15] 16-11-2021
[30] 19-05-2021 / EU / 008546766-0001
[51] Cl. 24-04
[54] 耳塞
Ear plug
[73] Ear Labs AB
Grimsbygatan 24,
211 20 Malmö,
Sweden
[74] HNC INNOVATION LIMITED
Units 1205-1208, Cyberport 2,
No. 100 Cyberport Road,
Hong Kong



[11] 2118988.9M001

[15] 17-11-2021

[30] 17-05-2021 / US / 29/784,000

[51] Cl. 5-06

[54] 衛生吸收製品防粘紙的印刷設計

Printed design for release paper for a sanitary absorbent article

[73] JOHNSON & JOHNSON CONSUMER INC.

199 Grandview Road,

Skillman, NJ 08558,

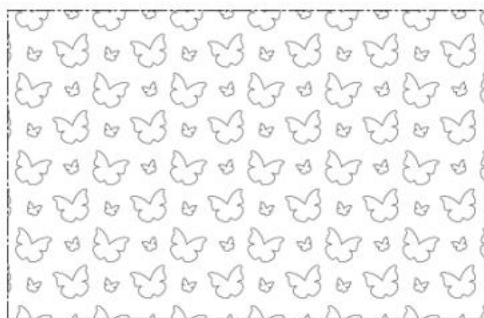
United States of America

[74] SHANGHAI INTELLECTUAL PROPERTY OFFICE

Unit F, 20th Floor, Neich Tower,

128 Gloucester Road,

Hong Kong



[11] 2118988.9M002

[15] 17-11-2021

[30] 17-05-2021 / US / 29/784,000

[51] Cl. 5-06

[54] 衛生吸收製品防粘紙的印刷設計

Printed design for release paper for a sanitary absorbent article

[73] JOHNSON & JOHNSON CONSUMER INC.

199 Grandview Road,
Skillman, NJ 08558,
United States of America

[74] SHANGHAI INTELLECTUAL PROPERTY OFFICE

Unit F, 20th Floor, Neich Tower,
128 Gloucester Road,
Hong Kong



[11] 2118996.6M001

[15] 19-11-2021

[30] 19-05-2021 / EU / 008547616-0001

[51] Cl. 2-04

[54] 涼鞋

Sandals

[73] The Attico S.r.l.

Piazza Castello, 4,
20121 Milano,
Italy

[74] DELONG INTELLECTUAL PROPERTY GROUP (HONG KONG) CO., LIMITED

Unit E, 10th Floor, CNT Tower,
No. 338 Hennessy Road,
Wan Chai, Hong Kong



[11] 2118996.6M002

[15] 19-11-2021

[30] 19-05-2021 / EU / 008547616-0002

[51] Cl. 2-04

[54] 涼鞋

Sandals

[73] The Attico S.r.l.

Piazza Castello, 4,

20121 Milano,

Italy

[74] DELONG INTELLECTUAL PROPERTY GROUP (HONG KONG) CO., LIMITED

Unit E, 10th Floor, CNT Tower,

No. 338 Hennessy Road,

Wan Chai, Hong Kong



[11] 2118997.8

[15] 19-11-2021

[51] Cl. 3-01

[54] 行李箱

Luggage

[73] 新秀麗 IP 控股有限責任公司

Samsonite IP Holdings S.à r.l.

13-15 avenue de la Liberté,

L-1931 Luxembourg,

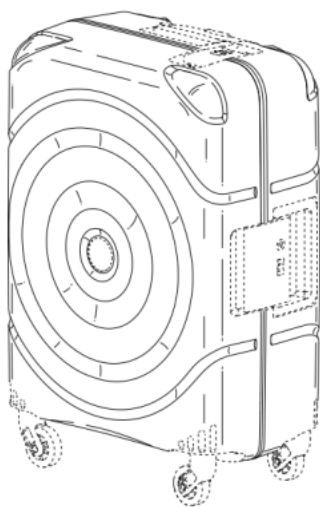
Luxembourg

[74] WILKINSON & GRIST

6th Floor, Prince's Building,

Chater Road,

Hong Kong



[11] 2119003.2

[15] 23-11-2021

[51] Cl. 26-05

[54] 活動燈具

Transfigure light

[73] 俊光科技有限公司

PRO-LIGHT TECHNOLOGY LIMITED

香港九龍

觀塘開源道 72 號

溢財中心 2 樓 A1 室

[74] 天標知識產權代理有限公司

香港九龍

尖沙咀加連威老道 14 號

加連威大廈 4 樓 A 座



[11] 2119005.7

[15] 23-11-2021

[30] 28-05-2021 / BA, GE, MA, NO, OM, SG, CH, TN, TR, UA, GB, VN,
EU / DM/214 563

[51] Cl. 10-07

[54] 錶面連指針

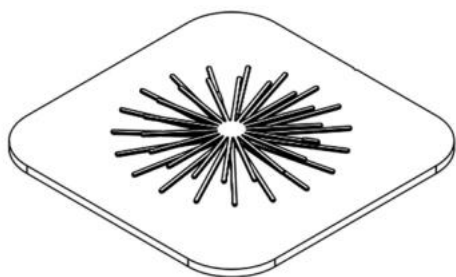
Watch dial with hands

[73] RADO UHREN AG (RADO WATCH CO. LTD.) (MONTRES RADO SA)

Bielstrasse 45,
CH-2543 Lengnau,
Switzerland

[74] SPRUSON & FERGUSON (HONG KONG) LIMITED

5001 Hopewell Centre,
183 Queen's Road East,
Wan Chai, Hong Kong



[11] 2119019.6

[15] 25-11-2021

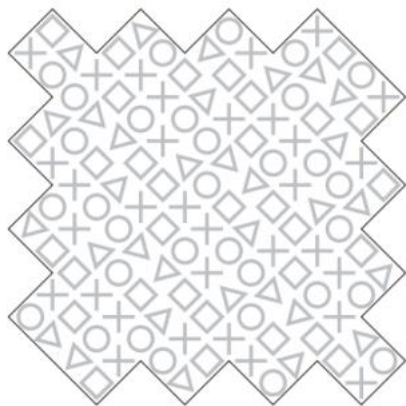
[30] 01-06-2021 / JP / 011665 of 2021

[51] Cl. 5-05

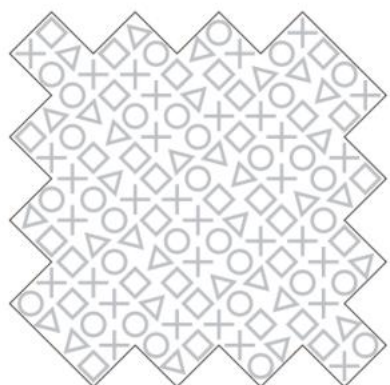
[54] 織物

Fabric

- [73] SONY INTERACTIVE ENTERTAINMENT INC.
1-7-1 Konan,
Minato-Ku, Tokyo 108-0075,
Japan
- [74] CHINA PATENT AGENT (HONG KONG) LIMITED
22/F, Great Eagle Centre,
23 Harbour Road,
Wanchai, Hong Kong



-
- [11] 2119020.8
- [15] 25-11-2021
- [30] 01-06-2021 / JP / 011664 of 2021
- [51] Cl. 5-06
- [54] 片材
Sheet material
- [73] SONY INTERACTIVE ENTERTAINMENT INC.
1-7-1 Konan,
Minato-Ku, Tokyo 108-0075,
Japan
- [74] CHINA PATENT AGENT (HONG KONG) LIMITED
22/F, Great Eagle Centre,
23 Harbour Road,
Wanchai, Hong Kong



[11] 2119021.0

[15] 25-11-2021

[30] 27-05-2021 / JP / 011302 of 2021

[51] Cl. 9-01

[54] 一個用於包裝的容器

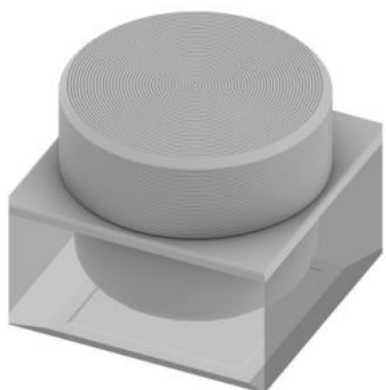
A container for package

[73] ALBION CO., LTD.

1-7-10, Ginza, Chuo-Ku,
Tokyo, 104-0061,
Japan

[74] WILKINSON & GRIST

6th Floor, Prince's Building,
Chater Road,
Hong Kong





香港特別行政區政府知識產權署外觀設計註冊處

The Government of the Hong Kong Special Administrative Region

Designs Registry, Intellectual Property Department

根據註冊外觀設計條例第 28 條，下列註冊外觀設計因未繳續期費而停止有效。

各組記項按註冊外觀設計停止有效日期及註冊編號先後次序排列。

Registered designs ceased through non-payment of renewal fees under section 28 of the Registered Designs Ordinance. Entries are listed below under their expiry dates.

27-11-2021 - 01-12-2021

27-11-2021	0603184.7	1102158.9M015
0603160.7	0603185.0	1102160.3M001
1102125.0	0603192.4	1102161.5
1102128.6M001	0603193.6	1102162.7
1102128.6M002	1102136.3	1602277.6M001
1102128.6M003	1102138.7	1602277.6M002
1102128.6M004	1102140.1	1602277.6M003
1102128.6M005	1602253.5	1602283.8M001
1102128.6M006	1602255.0	1602283.8M002
1102128.6M007	1602258.6M001	1602284.0
1602236.0	1602258.6M002	1602285.3
1602237.2	1602258.6M003	1602286.5M001
1602239.6	1602260.0	1602286.5M002
1602240.8	1602262.4	1602287.7M001
1602241.0	1602268.7	1602287.7M002
1602244.6		1602287.7M003
1602245.9	30-11-2021	1602287.7M004
1602246.1	1102148.8	1602287.7M005
	1102149.0	1602287.7M006

28-11-2021

1102130.0	1602274.9	1602287.7M007
1102132.4M001		1602291.5

29-11-2021

01-12-2021



香港特別行政區政府知識產權署外觀設計註冊處

The Government of the Hong Kong Special Administrative Region

Designs Registry, Intellectual Property Department

根據註冊外觀設計規則第 31 條刪除的註冊外觀設計。各組記項按註冊外觀設計刪除日期及註冊編號先後次序排列。

Registered designs removed under section 31 of the Registered Designs Rules. Entries are listed below under their removal dates.

03-12-2021 - 09-12-2021**03-12-2021**

0601320.5M001

0601320.5M002

0601320.5M003

0601320.5M004

0601320.5M005

0601320.5M006

0601320.5M007

0601320.5M008

0601320.5M009

0601320.5M010

0601366.2M001

0601366.2M002

0601372.4

1100877.2

1100878.4

1100879.6

1601001.1M001

1601001.1M002

1601003.5

04-12-2021

1100881.0

1100883.4M001

1100883.4M002

1100890.9M001

1601006.2M002

1601006.2M003

1601007.4

1601008.6

1601009.8

1601011.2

1601012.4

1601013.6

1601014.8

1601015.1

1601016.3

1601017.5

1601020.1M001

1601020.1M002

1601020.1M003

1601020.1M004

1601020.1M005

1601020.1M006

1601020.1M007

1601020.1M008

1601020.1M009

1601020.1M010

1601021.3

06-12-2021

0601396.5M001

0601396.5M002

0601398.9M001

0601399.1M001

07-12-2021

1100892.3

1601022.5M001

1601022.5M002

1601023.7M001

1601023.7M002

1601024.9M001

1601024.9M002

1601025.2

1601026.4

1601032.6

08-12-2021

1100897.4M001

1100897.4M002

1100904.0

1601035.3M001

1601035.3M002

1601039.1

1601040.3

1601044.1

1601053.0

09-12-2021

1100919.2

1601058.1

1601065.6M001

1601065.6M002

1601068.2