

# 香港知識產權公報

Hong Kong Intellectual Property Journal

2022年3月25日

25 March 2022

## 目錄 Contents

### 根據註冊外觀設計條例第 25 條註冊的外觀設計

#### **Designs Registered under section 25 of the Registered Designs Ordinance**

按註冊編號排列

Arranged by Registration Number

### 根據註冊外觀設計條例(第 522 章)公布的其他公告

#### **Other Notices Published under the Registered Designs Ordinance (Cap. 522)**

根據註冊外觀設計條例第 28 條，註冊外觀設計因未繳續期費而停止有效

Registered designs ceased through non-payment of renewal fees under section 28 of the Registered Designs Ordinance

根據註冊外觀設計規則第 31 條刪除的註冊外觀設計

Registered designs removed under section 31 of the Registered Designs Rules

### 以下事項沒有記錄

#### **No Records for the Following Matters**

根據註冊外觀設計條例第 30 條放棄的外觀設計的註冊

Surrender of Registration of Design under section 30 of the Registered Designs Ordinance

根據註冊外觀設計規則第 37 條，向處長作出轉介

Reference to Registrar under section 37 of the Registered Designs Rules

根據註冊外觀設計條例第 45 條，撤銷註冊

Revocation of Registration under section 45 of the Registered Designs Ordinance

根據註冊外觀設計規則第 46 條，向法院作出轉介

Reference to Court under section 46 of the Registered Designs Rules

根據註冊外觀設計規則第 63 條對不符合規定之處作出糾正

Rectification of Irregularities under section 63 of the Registered Designs Rules

根據註冊外觀設計條例第 66 條，糾正註冊紀錄冊

Rectification of Register under section 66 of the Registered Designs Ordinance

根據註冊外觀設計條例第 67 條 更正註冊紀錄冊內的錯誤

Correction of errors in Register under section 67 of the Registered Designs Ordinance

根據註冊外觀設計條例第 67 及 76 條，更正註冊紀錄冊內及已提交文件中的錯誤

Correction of Errors in Register and in Filed Documents under sections 67 and 76 of the Registered Designs Ordinance

根據註冊外觀設計條例第 76 條，更正已提交文件中的錯誤

Correction of errors in filed documents under section 76 of the Registered Designs Ordinance

勘誤

Corrigendum

## 註冊外觀設計公告註釋

### Notes on advertisements of registration of designs

方括號表示下列資料：

Square brackets indicate the following data：

[11] 註冊編號 Registration number / 聯合王國註冊編號 United Kingdom registration number

[15] 註冊日期 Registration date / 當作註冊日期 Deemed registration date / 聯合王國註冊日期 United Kingdom registration date

[17] 註冊有效期屆滿日期 Expiry date of the period of registration

[22] 提交日期 Filing date / 當作提交日期 Deemed filing date / 聯合王國提交日期 United Kingdom filing date

[30] 聲稱享有的優先權（提交日期 / 巴黎公約國或世界貿易組織成員 / 申請編號） Priority claimed (filing date / Paris Convention country or WTO member / application number)

[51] 國際外觀設計分類號（洛迦諾分類號） International Classification of designs (Locarno Classification)

[54] 物品 Article

[55] 外觀設計的表述 Representation of the design

[62] 分開前的申請編號及提交日期 Application number before division and filing date

[66] 過往註冊的聯繫外觀設計註冊編號 / 日期 Registration No. / Date of Previous Registration for Association

[72] 設計人 Designer

[73] 擁有人姓名和地址 Name and address of the owner

[74] 代理人 Agent /送達地址 Address for service



香港特別行政區政府知識產權署外觀設計註冊處  
The Government of the Hong Kong Special Administrative Region  
Designs Registry, Intellectual Property Department

## 根據註冊外觀設計條例第 25 條註冊的外觀設計

### Designs registered under section 25 of the Registered Designs Ordinance

按註冊編號排列

Arranged by Registration Number

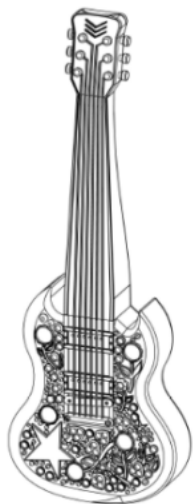
- [11] 2219322.9
- [15] 21-01-2022
- [51] Cl. 9-03
- [54] 成人玩具包裝盒  
Packaging container for sex toys
- [73] I Love You Inc.  
1810 E Sahara Ave Ste 215,  
Las Vegas, NV 89104,  
United States of America
- [74] I Love You Limited  
Unit 1, 11/F,  
Wing Sum Factory Building No. 2,  
12-14 Sam Chuk Street,  
San Po Kong, Hong Kong



- 
- [11] 2219335.7
  - [15] 25-01-2022
  - [51] Cl. 9-01
  - [54] 香水瓶  
Perfume bottle
  - [73] 錯信有限公司  
JOHN LAM & ASSOCIATES LIMITED

香港九龍  
紅磡鶴翔街 8 號  
第 2 座 6 樓 04 室

[74] 卓遠知識產權有限公司  
香港上環  
禧利街 27 號  
富輝商業中心 10 樓



---

[11] 2219338.3

[15] 25-01-2022

[51] Cl. 28-03

[54] 電動美容工具

Electric beauty tool

[73] 渲美美健（深圳）科技股份有限公司

TOUCHBEAUTY BEAUTY & HEALTH (SHENZHEN) CO., LTD

中國廣東省

深圳市南山區粵海街道

海珠社區海德三道 195 號

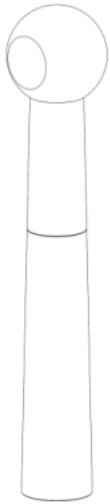
天利中央商務廣場（二期）B2901

[74] 海思國際知識產權有限公司

香港灣仔

皇后大道東 183 號

合和中心 54 樓



---

[11] 2219346.0

[15] 27-01-2022

[51] Cl. 11-01

[54] 飾物設計

Ornament design

[73] 六福集團有限公司

Luk Fook Holdings Company Limited  
Floor 15, 20, 25 & 27, Metropole Square,  
No.2 On Yiu Street, Shatin,  
New Territories, Hong Kong

[74] Luk Fook Holdings Company Limited (Legal Affairs Department)

Floor 25, Metropole Square,  
No.2 On Yiu Street, Shatin,  
New Territories, Hong Kong



---

[11] 2219347.2

[15] 27-01-2022

[30] 29-07-2021 / KR / 30-2021-0036191

[51] Cl. 9-03



[54] 包裝

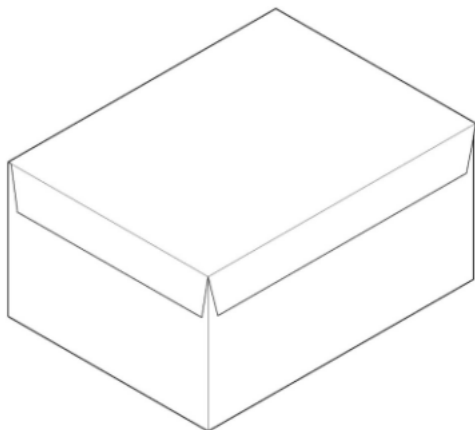
Packaging

[73] Coupang Corp.

18F, 570 Songpa-daero,  
Songpa-gu, Seoul,  
Republic of Korea

[74] DEACONS

5th Floor,  
Alexandra House,  
Central, Hong Kong



---

[11] 2219358.5M001

[15] 28-01-2022

[30] 02-08-2021 / US / 29/801,965

[51] Cl. 10-05

[54] 用於測試裝置的支架

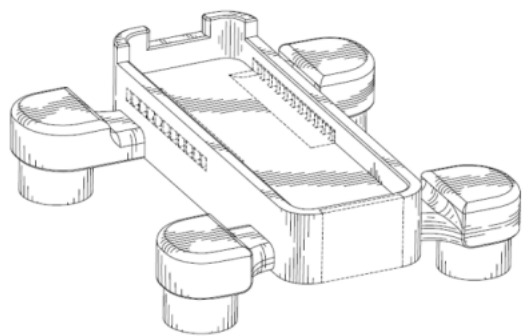
Support for test device

[73] Regeneron Pharmaceuticals, Inc.

777 Old Saw Mill River Road,  
Tarrytown, NY 10591,  
United States of America

[74] EMILY YIP & CO LIMITED

1st Floor, Kingsfield Centre,  
18 Shell Street, Fortress Hill,  
Hong Kong



---

[11] 2219358.5M002

[15] 28-01-2022

[30] 02-08-2021 / US / 29/801,965

[51] Cl. 10-05

[54] 用於測試裝置的支架

Support for test device

[73] Regeneron Pharmaceuticals, Inc.

777 Old Saw Mill River Road,

Tarrytown, NY 10591,

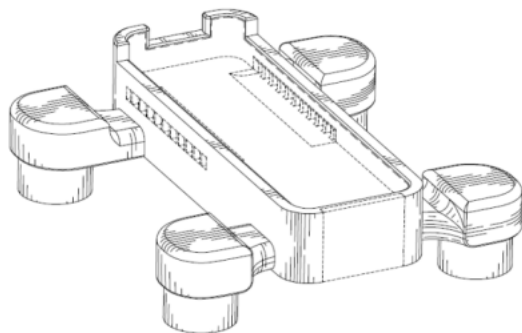
United States of America

[74] EMILY YIP & CO LIMITED

1st Floor, Kingsfield Centre,

18 Shell Street, Fortress Hill,

Hong Kong



---

[11] 2219358.5M003

[15] 28-01-2022

[30] 02-08-2021 / US / 29/801,965

[51] Cl. 10-05

[54] 用於測試裝置的支架

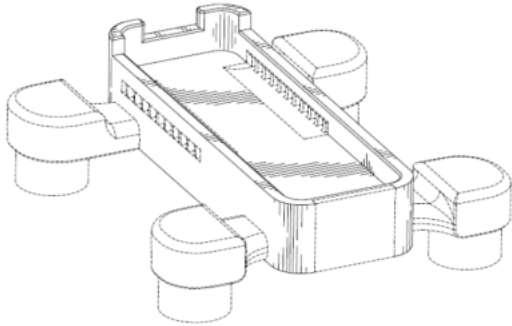
Support for test device

[73] Regeneron Pharmaceuticals, Inc.

777 Old Saw Mill River Road,

Tarrytown, NY 10591,  
United States of America

[74] EMILY YIP & CO LIMITED  
1st Floor, Kingsfield Centre,  
18 Shell Street, Fortress Hill,  
Hong Kong



---

[11] 2219362.3M001

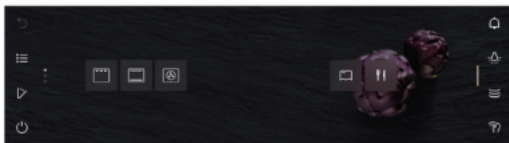
[15] 29-01-2022

[51] Cl. 14-04

[54] 顯示屏幕面板的帶展示信息及操作按鈕的圖形用戶界面  
Graphical user interfaces for display screens with display  
information and operating buttons thereof

[73] V-ZUG AG  
Industriestrasse 66,  
6300 Zug,  
Switzerland

[74] CHANG TSI AND PARTNERS INTELLECTUAL PROPERTY (HK) LIMITED  
Level 19, Two Int'l Finance Ctr,  
8 Finance St,  
Central, Hong Kong



---

[11] 2219362.3M002

[15] 29-01-2022

[51] Cl. 14-04

[54] 顯示屏幕面板的帶展示信息及操作按鈕的圖形用戶界面  
Graphical user interfaces for display screens with display  
information and operating buttons thereof

[73] V-ZUG AG  
Industriestrasse 66,

6300 Zug,  
Switzerland

- [74] CHANG TSI AND PARTNERS INTELLECTUAL PROPERTY (HK) LIMITED  
Level 19, Two Int'l Finance Ctr,  
8 Finance St,  
Central, Hong Kong



- [11] 2219362.3M003  
[15] 29-01-2022  
[51] Cl. 14-04  
[54] 顯示屏幕面板的帶展示信息及操作按鈕的圖形用戶界面  
Graphical user interfaces for display screens with display information and operating buttons thereof  
[73] V-ZUG AG  
Industriestrasse 66,  
6300 Zug,  
Switzerland  
[74] CHANG TSI AND PARTNERS INTELLECTUAL PROPERTY (HK) LIMITED  
Level 19, Two Int'l Finance Ctr,  
8 Finance St,  
Central, Hong Kong



- [11] 2219362.3M004  
[15] 29-01-2022  
[51] Cl. 14-04  
[54] 顯示屏幕面板的帶展示信息及操作按鈕的圖形用戶界面  
Graphical user interfaces for display screens with display information and operating buttons thereof  
[73] V-ZUG AG  
Industriestrasse 66,  
6300 Zug,  
Switzerland  
[74] CHANG TSI AND PARTNERS INTELLECTUAL PROPERTY (HK) LIMITED  
Level 19, Two Int'l Finance Ctr,

8 Finance St,  
Central, Hong Kong



---

[11] 2219362.3M005

[15] 29-01-2022

[51] Cl. 14-04

[54] 顯示屏幕面板的帶展示信息及操作按鈕的圖形用戶界面

Graphical user interfaces for display screens with display information and operating buttons thereof

[73] V-ZUG AG

Industriestrasse 66,  
6300 Zug,  
Switzerland

[74] CHANG TSI AND PARTNERS INTELLECTUAL PROPERTY (HK) LIMITED

Level 19, Two Int'l Finance Ctr,  
8 Finance St,  
Central, Hong Kong



---

[11] 2219362.3M006

[15] 29-01-2022

[51] Cl. 14-04

[54] 顯示屏幕面板的帶展示信息及操作按鈕的圖形用戶界面

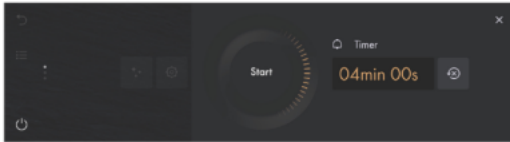
Graphical user interfaces for display screens with display information and operating buttons thereof

[73] V-ZUG AG

Industriestrasse 66,  
6300 Zug,  
Switzerland

[74] CHANG TSI AND PARTNERS INTELLECTUAL PROPERTY (HK) LIMITED

Level 19, Two Int'l Finance Ctr,  
8 Finance St,  
Central, Hong Kong



[11] 2219362.3M007

[15] 29-01-2022

[51] Cl. 14-04

[54] 顯示屏幕面板的帶展示信息及操作按鈕的圖形用戶界面

Graphical user interfaces for display screens with display information and operating buttons thereof

[73] V-ZUG AG

Industriestrasse 66,  
6300 Zug,  
Switzerland

[74] CHANG TSI AND PARTNERS INTELLECTUAL PROPERTY (HK) LIMITED

Level 19, Two Int'l Finance Ctr,  
8 Finance St,  
Central, Hong Kong



[11] 2219364.7M001

[15] 29-01-2022

[30] 14-12-2021 / CN / 202130826245.0

[51] Cl. 15-09

[54] 3D 打印機

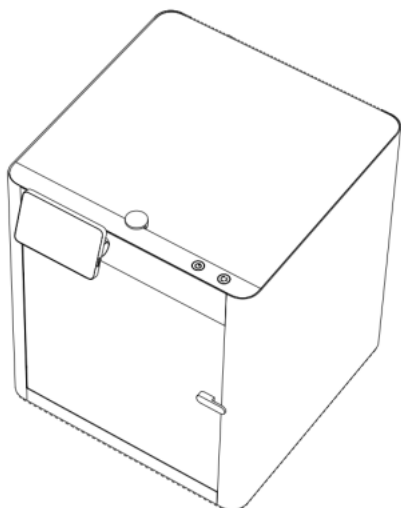
3D Printer

[73] 深圳拓竹科技有限公司

中國廣東省深圳市  
前海深港合作區前灣一路1號A棟201室  
(入駐深圳市前海商務秘書有限公司) 518066

[74] 百睿知識產權有限公司

香港新界  
沙田香港科學園  
科技大道西10號浚湖樓617室



---

[11] 2219364.7M002

[15] 29-01-2022

[30] 14-12-2021 / CN / 202130826075.6

[51] C1. 15-09

[54] 用於 3D 打印機的容納多種顏色的材料的設備

Device for holding materials of multiple colors for 3D printer

[73] 深圳拓竹科技有限公司

中國廣東省深圳市

前海深港合作區前灣一路 1 號 A 棟 201 室

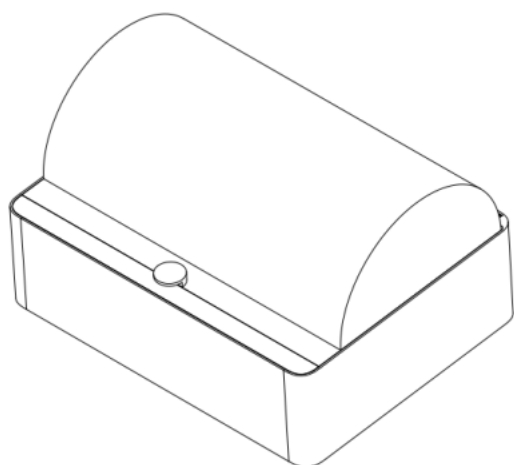
(入駐深圳市前海商務秘書有限公司) 518066

[74] 百睿知識產權有限公司

香港新界

沙田香港科學園

科技大道西 10 號浚湖樓 617 室



- [11] 2219365.0  
[15] 31-01-2022  
[30] 30-11-2021 / EU / 008779557  
[51] Cl. 9-07  
[54] 瓶蓋  
Bottle cap  
[73] DOLCE & GABBANA S.r.l.  
Via Carlo Goldoni 10,  
20129 Milano,  
Italy  
[74] SPRUSON & FERGUSON (HONG KONG) LIMITED  
5001 Hopewell Centre,  
183 Queen's Road East,  
Wan Chai, Hong Kong



- 
- [11] 2219372.4  
[15] 04-02-2022  
[30] 30-11-2021 / MA, NO, OM, SG, CH, TN, TR, UA, GB, EU, AL /  
DM/217 791  
[51] Cl. 10-02  
[54] 手錶  
Wristwatch  
[73] SWATCH AG (SWATCH SA) (SWATCH LTD.)  
Nicolas G. Hayek Strasse 1,  
2502 Biel/Bienne,  
Switzerland  
[74] SPRUSON & FERGUSON (HONG KONG) LIMITED  
5001 Hopewell Centre,  
183 Queen's Road East,  
Wan Chai, Hong Kong





[11] 2219373.6

[15] 04-02-2022

[30] 17-09-2021 / AM, AZ, BZ, BA, GE, LI, MK, MD, MC, MN, ME, MA, NO, OM, SG, CH, TN, TR, UA, GB, EU, AL, KG / DM/218 288

[51] Cl. 10-07

[54] 錶面  
Dial

[73] MIDO AG (MIDO SA) (MIDO LTD)  
Chemin des Tourelles 17,  
CH-2400 Le Locle,  
Switzerland

[74] SPRUSON & FERGUSON (HONG KONG) LIMITED  
5001 Hopewell Centre,  
183 Queen's Road East,  
Wan Chai, Hong Kong



[11] 2219374.8M001

[15] 04-02-2022

[30] 02-09-2021 / CA, AM, AZ, BZ, BA, GE, LI, MK, MD, MC, MN, ME, MA, NO, OM, SG, CH, TN, TR, UA, GB, EU, AL, KG / DM/216 449

[51] Cl. 11-01

[54] 項鍊

Necklace

[73] Harry Winston SA

Chemin du Tourbillon 8,  
CH-1228 Plan-les-Ouates,  
Switzerland

[74] SPRUSON & FERGUSON (HONG KONG) LIMITED

5001 Hopewell Centre,  
183 Queen's Road East,  
Wan Chai, Hong Kong



---

[11] 2219374.8M002

[15] 04-02-2022

[30] 02-09-2021 / CA, AM, AZ, BZ, BA, GE, LI, MK, MD, MC, MN, ME,  
MA, NO, OM, SG, CH, TN, TR, UA, GB, EU, AL, KG / DM/216 449

[51] Cl. 11-01

[54] 項鍊

Necklace

[73] Harry Winston SA

Chemin du Tourbillon 8,  
CH-1228 Plan-les-Ouates,  
Switzerland

[74] SPRUSON & FERGUSON (HONG KONG) LIMITED

5001 Hopewell Centre,  
183 Queen's Road East,  
Wan Chai, Hong Kong



[11] 2219383.7M001

[15] 07-02-2022

[30] 27-09-2021 / EU / 008707525-0003

[51] Cl. 2-04

[54] 鞋

Shoes

[73] BALENCIAGA

40 Rue De Sèvres,

75007 Paris,

France

[74] DEACONS

5th Floor,

Alexandra House,

Central, Hong Kong



[11] 2219383.7M002

[15] 07-02-2022

[30] 27-09-2021 / EU / 008707525-0004

[51] Cl. 2-04

[54] 鞋

Shoes

[73] BALENCIAGA

40 Rue De Sèvres,

75007 Paris,

France

[74] DEACONS

5th Floor,

Alexandra House,

Central, Hong Kong



---

[11] 2219390.2

[15] 08-02-2022

[51] Cl. 30-02

[54] 冷暖太空寵物屋

Cooler and warmer space pet house

[73] 耀發電子有限公司

BRILLIANT RICH ELECTRONICS LIMITED

Flat I, 2/F, Universal Industrial Centre,

19-21 Shan Mei Street, Fo Tan,

Sha Tin, Hong Kong

[74] WENPING PATENT & TRADE MARK AGENT LIMITED

1701 Tung Wai Commercial Building,

111 Gloucester Road,

Hong Kong





香港特別行政區政府知識產權署外觀設計註冊處

The Government of the Hong Kong Special Administrative Region

Designs Registry, Intellectual Property Department

根據註冊外觀設計條例第 28 條，下列註冊外觀設計因未繳續期費而停止有效。

各組記項按註冊外觀設計停止有效日期及註冊編號先後次序排列。

**Registered designs ceased through non-payment of renewal fees under section 28 of the Registered Designs Ordinance. Entries are listed below under their expiry dates.**

**15-02-2022 - 23-02-2022**

<b>15-02-2022</b>	1700276.3M001	1700280.1M003
0700511.1	1700276.3M002	1700280.1M004
1200243.8M001	1700276.3M003	1700280.1M005
1200243.8M002	1700276.3M004	1700280.1M006
1200243.8M003	1700277.5M001	1700280.1M007
1200250.3	1700277.5M002	1700280.1M008
1700254.6	1700277.5M003	1700281.3M001
1700256.1M001	1700277.5M004	1700281.3M002
1700256.1M002	1700277.5M005	1700281.3M003

	1700277.5M006	1700281.3M004
<b>16-02-2022</b>	1700277.5M007	1700281.3M005
1200056.2	1700277.5M008	1700281.3M006
1200251.5	1700277.5M009	1700281.3M007
1200254.1	1700277.5M010	1700281.3M008
1200256.6	1700277.5M011	1700281.3M009
1200257.8	1700277.5M012	1700281.3M010
1200258.0	1700277.5M013	1700281.3M011
1200261.6M001	1700277.5M014	1700281.3M012
1200261.6M002	1700278.7M001	1700281.3M013
1200261.6M003	1700278.7M002	1700281.3M014
1700262.3M001	1700278.7M003	1700281.3M015
1700262.3M002	1700278.7M004	1700281.3M016
1700262.3M003	1700278.7M005	1700281.3M017
1700262.3M004	1700278.7M006	1700281.3M018
1700267.4M001	1700278.7M007	1700283.7
1700267.4M002	1700278.7M008	
1700268.6	1700279.9M001	

	1700279.9M002	<b>21-02-2022</b>
	1700279.9M003	0210246.5M001
<b>19-02-2022</b>	1700279.9M004	0210246.5M002
1700269.8	1700279.9M005	0700528.7M001
1700272.4	1700279.9M006	0700528.7M002
	1700279.9M007	0700528.7M003
	1700280.1M001	0700528.7M004
<b>20-02-2022</b>	1700280.1M002	0700528.7M005
0700519.8M003		

0700528.7M006	1700307.0M001	1700326.0M002
0700528.7M007	1700307.0M002	1700326.0M003
0700528.7M008	1700308.2M001	1700326.0M004
1200289.5	1700308.2M002	1700326.0M005
1700287.6	1700309.4M001	1700326.0M006
1700290.2M001	1700309.4M002	1700328.4M001
1700290.2M002	1700311.8	1700328.4M002
1700290.2M003	1700314.4	1700328.4M003
1700290.2M004	1700319.5	1700329.6
1700290.2M005	1701706.8	1700330.8M001
1700290.2M006	1701707.0M001	1700330.8M002
1700291.4M001	1701707.0M002	1700331.0
1700291.4M002	1701707.0M003	
1700291.4M003		
1700291.4M004	<b>23-02-2022</b>	
1700291.4M005	1200304.8M001	
1700291.4M006	1200304.8M002	
1700292.6M001	1200304.8M004	
1700292.6M002	1200304.8M005	
1700292.6M003	1700322.1M001	
1700292.6M004	1700322.1M002	
1700292.6M005	1700322.1M003	
1700292.6M006	1700322.1M004	
1700293.8M001	1700322.1M005	
1700293.8M002	1700322.1M006	
1700293.8M003	1700322.1M007	
1700293.8M004	1700322.1M008	
1700295.3	1700323.3M001	
	1700323.3M002	
	1700323.3M003	
<b>22-02-2022</b>	1700323.3M004	
0700540.2M001	1700323.3M005	
0700540.2M002	1700323.3M006	
0700540.2M003	1700323.3M007	
0700540.2M004	1700323.3M008	
1200292.1	1700324.5M001	
1200295.8	1700324.5M002	
1700296.5	1700324.5M003	
1700297.7M001	1700324.5M004	
1700297.7M002	1700324.5M005	
1700298.9	1700324.5M006	
1700299.1	1700325.8M001	
1700300.5	1700325.8M002	
1700301.7	1700325.8M003	
1700302.9	1700325.8M004	
1700303.1	1700325.8M005	
1700304.3	1700325.8M006	
1700305.6	1700326.0M001	
1700306.8		



香港特別行政區政府知識產權署外觀設計註冊處  
The Government of the Hong Kong Special Administrative Region  
Designs Registry, Intellectual Property Department

根據註冊外觀設計規則第 31 條刪除的註冊外觀設計。各組記項按註冊外觀設計刪除日期及註冊編號先後次序排列。

**Registered designs removed under section 31 of the Registered Designs Rules. Entries are listed below under their removal dates.**

**04-03-2022 - 10-03-2022**

<b>04-03-2022</b>	1601646.9	1601605.3M001
0111232.5		1601605.3M002
0602184.6M001	<b>07-03-2022</b>	1601605.3M003
0602202.6M001	0111261.6	1601605.3M004
1101397.4M001		1601606.5
1101397.4M002	<b>08-03-2022</b>	1601607.7M004
1101398.6	1101425.5M001	1601608.9
1101399.8	1601588.5M002	
1101403.8	1601588.5M003	
1101406.5	1601590.9	
1101407.7	1601591.1	
1101413.9M001		
1101413.9M002	<b>09-03-2022</b>	
1101415.4	0602220.4M001	
1601561.8M001	1101432.9	
1601561.8M002	1101441.8M001	
1601568.3	1101441.8M002	
1601569.5M001	1101441.8M003	
1601569.5M002	1101441.8M004	
1601575.8	1101443.2	
1601576.0	1101444.4M001	
1601578.4	1101444.4M002	
1601579.6	1101445.7	
	1601594.7	
<b>05-03-2022</b>	1601595.0	
0602204.0	1601601.4	
0602205.3		
1101422.8M002	<b>10-03-2022</b>	
1101423.0	0111279.4	
1601585.9	0602222.8M002	
	0602232.9	
<b>06-03-2022</b>	1101451.9M001	
1601586.1M001	1101451.9M002	
1601586.1M002	1601603.8	