

香港知識產權公報

Hong Kong Intellectual Property Journal

2021年6月25日

25 June 2021

目錄 Contents

根據註冊外觀設計條例第 25 條註冊的外觀設計

Designs Registered under section 25 of the Registered Designs Ordinance

按註冊編號排列

Arranged by Registration Number

根據註冊外觀設計條例(第 522 章)公布的其他公告

Other Notices Published under the Registered Designs Ordinance (Cap. 522)

根據註冊外觀設計條例第 28 條，註冊外觀設計因未繳續期費而停止有效

Registered designs ceased through non-payment of renewal fees under section 28 of the Registered Designs Ordinance

根據註冊外觀設計規則第 31 條刪除的註冊外觀設計

Registered designs removed under section 31 of the Registered Designs Rules

以下事項沒有記錄

No Records for the Following Matters

根據註冊外觀設計條例第 30 條放棄的外觀設計的註冊

Surrender of Registration of Design under section 30 of the Registered Designs Ordinance

根據註冊外觀設計規則第 37 條，向處長作出轉介

Reference to Registrar under section 37 of the Registered Designs Rules

根據註冊外觀設計條例第 45 條，撤銷註冊

Revocation of Registration under section 45 of the Registered Designs Ordinance

根據註冊外觀設計規則第 46 條，向法院作出轉介

Reference to Court under section 46 of the Registered Designs Rules

根據註冊外觀設計規則第 63 條對不符合規定之處作出糾正

Rectification of Irregularities under section 63 of the Registered Designs Rules

根據註冊外觀設計條例第 66 條，糾正註冊紀錄冊

Rectification of Register under section 66 of the Registered Designs Ordinance

根據註冊外觀設計條例第 67 條 更正註冊紀錄冊內的錯誤

Correction of errors in Register under section 67 of the Registered Designs Ordinance

根據註冊外觀設計條例第 67 及 76 條，更正註冊紀錄冊內及已提交文件中的錯誤

Correction of Errors in Register and in Filed Documents under sections 67 and 76 of the Registered Designs Ordinance

根據註冊外觀設計條例第 76 條，更正已提交文件中的錯誤

Correction of errors in filed documents under section 76 of the Registered Designs Ordinance

勘誤

Corrigendum

註冊外觀設計公告註釋

Notes on advertisements of registration of designs

方括號表示下列資料：

Square brackets indicate the following data：

[11] 註冊編號 Registration number / 聯合王國註冊編號 United Kingdom registration number

[15] 註冊日期 Registration date / 當作註冊日期 Deemed registration date / 聯合王國註冊日期 United Kingdom registration date

[17] 註冊有效期屆滿日期 Expiry date of the period of registration

[22] 提交日期 Filing date / 當作提交日期 Deemed filing date / 聯合王國提交日期 United Kingdom filing date

[30] 聲稱享有的優先權（提交日期 / 巴黎公約國或世界貿易組織成員 / 申請編號） Priority claimed (filing date / Paris Convention country or WTO member / application number)

[51] 國際外觀設計分類號（洛迦諾分類號） International Classification of designs (Locarno Classification)

[54] 物品 Article

[55] 外觀設計的表述 Representation of the design

[62] 分開前的申請編號及提交日期 Application number before division and filing date

[66] 過往註冊的聯繫外觀設計註冊編號 / 日期 Registration No. / Date of Previous Registration for Association

[72] 設計人 Designer

[73] 擁有人姓名和地址 Name and address of the owner

[74] 代理人 Agent / 送達地址 Address for service



香港特別行政區政府知識產權署外觀設計註冊處

The Government of the Hong Kong Special Administrative Region

Designs Registry, Intellectual Property Department

根據註冊外觀設計條例第 25 條註冊的外觀設計

Designs registered under section 25 of the Registered Designs Ordinance

按註冊編號排列

Arranged by Registration Number

[11] 2117437.0

[15] 18-01-2021

[51] Cl. 23-08

[54] 智能分配器

Intelligent dispenser

[73] 新力豐電子（深圳）有限公司

中國內地

廣東省深圳市寶安區

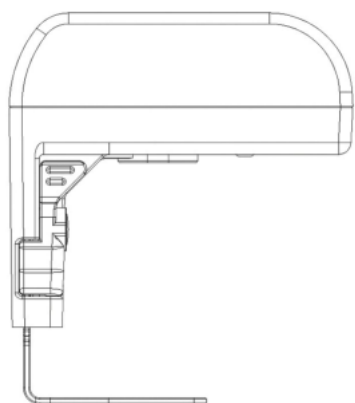
沙井街道新橋新二工業區莊村路 54 號 A 棟 2 樓

[74] 滙誠知識產權有限公司

香港灣仔

軒尼詩道 397 號

東區商業大廈 1206 室



[11] 2117590.4

[15] 17-02-2021

[51] Cl. 21-01

[54] 積木玩具
Building blocks toys

[73] 吳俞霖
NG YUE LAM
香港荃灣
海濱花園
十八座二樓 H 室

[74] Ng Yue Lam
香港荃灣
海濱花園
十八座二樓 H 室



[11] 2117654.0M001

[15] 03-03-2021

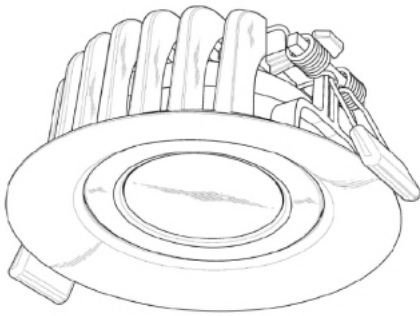
[30] 03-09-2020 / EU / 008159024

[51] Cl. 26-05

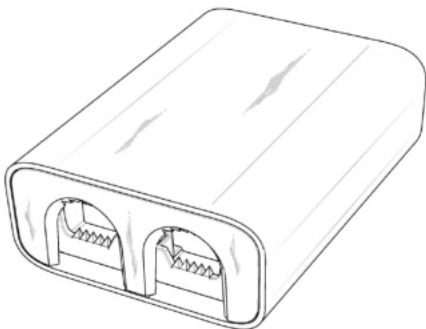
[54] 燈具
Luminaire

[73] Plejd AB
Göteborgsvägen 52,
431 37 Mölndal,
Sweden

[74] VIVIEN CHAN & CO
32/F, Harbour Centre,
25 Harbour Road,
Wanchai, Hong Kong



-
- [11] 2117654.0M002
[15] 03-03-2021
[30] 03-09-2020 / EU / 008159024
[51] Cl. 26-05
[54] 一部分燈具
Part of luminaire
[73] Plejd AB
Göteborgsvägen 52,
431 37 Mölndal,
Sweden
[74] VIVIEN CHAN & CO
32/F, Harbour Centre,
25 Harbour Road,
Wanchai, Hong Kong



-
- [11] 2117724.9
[15] 19-03-2021
[51] Cl. 9-03
[54] 包裝盒
Packing box



[11] 2117804.9

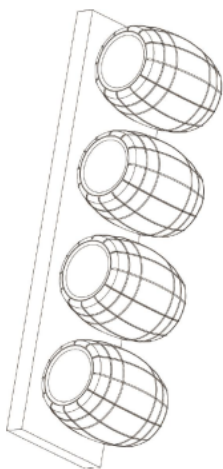
[15] 01-04-2021

[51] C1. 9-02

[54] 酒桶套件
Whisky cask kit

[73] 桶強有限公司
Cask Strength Limited
香港
灣仔港灣道 1 號
會景閣 38 樓 3801 室

[74] 江炳滔律師事務所
香港灣仔
告士打道 160 號
海外信託銀行大廈 19 樓 B 室



[11] 2117927.0

[15] 27-04-2021

[51] Cl. 9-07

[54] 容器塞

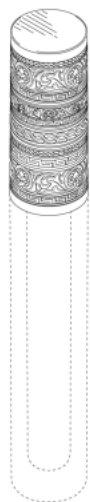
Container stopper

[73] ELC MANAGEMENT LLC

155 Pinelawn Road, Suite 345 South,
Melville, NY 11747,
United States

[74] CHINA PATENT AGENT (HONG KONG) LIMITED

22/F, Great Eagle Centre,
23 Harbour Road,
Wanchai, Hong Kong



[11] 2117959.7M001

[15] 16-04-2021

[30] 04-11-2020 / US / 29/757,250

[51] Cl. 26-05

[54] 燈具吊架

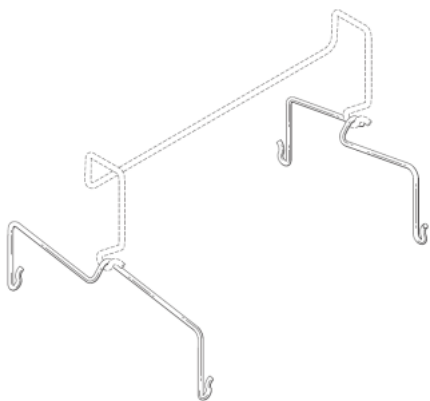
Hanger for light fixture

[73] HGCI 股份有限公司

HGCI, Inc.
3993 Howard Hughes Parkway,
Las Vegas, Nevada 89169,
United States

[74] LIU, SHEN & ASSOCIATES

Room 3716, 37/F, Sun Hung Kai Centre,
30 Harbour Road,
Wanchai, Hong Kong



[11] 2117959.7M002

[15] 16-04-2021

[30] 04-11-2020 / US / 29/757,250

[51] Cl. 26-05

[54] 燈具吊架

Hanger for light fixture

[73] HGCI 股份有限公司

HGCI, Inc.

3993 Howard Hughes Parkway,

Las Vegas, Nevada 89169,

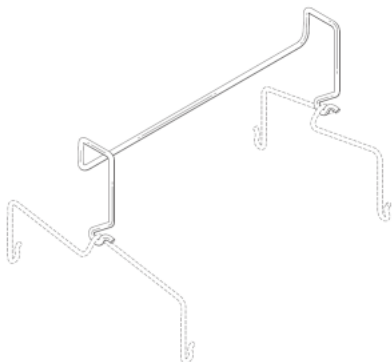
United States

[74] LIU, SHEN & ASSOCIATES

Room 3716, 37/F, Sun Hung Kai Centre,

30 Harbour Road,

Wanchai, Hong Kong



[11] 2117960.9

[15] 05-05-2021

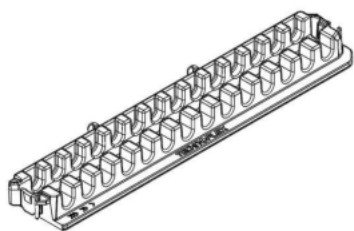
[30] 05-11-2020 / EU / 008258248

[51] Cl. 24-01

[54] 用於容器的保持裝置
Holding device for containers

[73] TECHNOFLEX
Zone Artisanale De Bassilour,
64210 Bidart,
France

[74] LETTERS & THOO LIMITED
Suite 1008, Prosperity Millennia Plaza,
663 King's Road,
Quarry Bay, Hong Kong



[11] 2117962.3M001

[15] 06-05-2021

[30] 13-11-2020 / US / 17/098,321

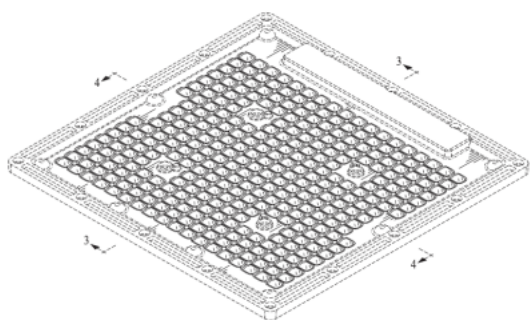
30-11-2020 / US / 29/760,168

[51] Cl. 26-05

[54] 用於室內照明燈具應用的鏡蓋
Lens cover for light fixture for indoor grow application

[73] HGCI, Inc.
3993 Howard Hughes Parkway,
Las Vegas, Nevada 89169,
United States

[74] LIU, SHEN & ASSOCIATES
Room 3716, 37/F, Sun Hung Kai Centre,
30 Harbour Road,
Wanchai, Hong Kong



[11] 2117962.3M002

[15] 06-05-2021

[30] 18-03-2021 / US / 29/788,118
13-11-2020 / US / 17/098,321

[51] Cl. 26-05

[54] 用於室內照明燈具應用的鏡蓋

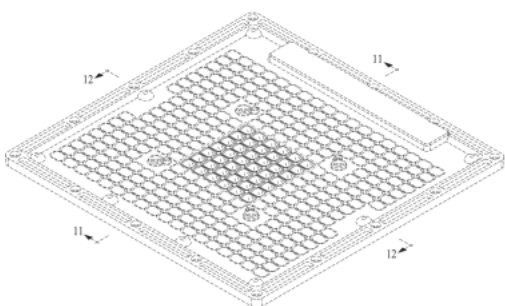
Lens cover for light fixture for indoor grow application

[73] HGCI, Inc.

3993 Howard Hughes Parkway,
Las Vegas, Nevada 89169,
United States

[74] LIU, SHEN & ASSOCIATES

Room 3716, 37/F, Sun Hung Kai Centre,
30 Harbour Road,
Wanchai, Hong Kong



[11] 2117965.0

[15] 06-05-2021

[51] Cl. 15-99

[54] 智能機械人

Intelligent robot

[73] 金興科技發展有限公司

GOLDEN SUCCESS TECHNOLOGY DEVELOPMENT LIMITED

Flat/Rm 213, Bldg 16W, Phase 3,

Hong Kong Science Park,

Shatin, N.T., Hong Kong

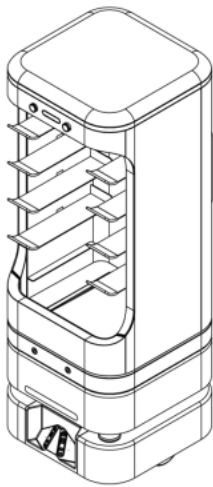
[74] CONPAK INTELLECTUAL PROPERTY LIMITED

Rooms 05-15, 13A/F, South Tower,

World Finance Centre, Harbour City,

17 Canton Road,

Tsim Sha Tsui, Kowloon, Hong Kong



[11] 2117967.4

[15] 07-05-2021

[30] 09-04-2021 / MA, NO, OM, SG, CH, TN, TR, UA, GB, EU, AL /
DM/213 706

[51] Cl. 10-02

[54] 手錶

Wristwatch

[73] SWATCH AG (SWATCH SA) (SWATCH LTD.)

Nicolas G. Hayek Strasse 1,

2502 Biel/Bienne,

Switzerland

[74] SPRUSON & FERGUSON (HONG KONG) LIMITED

5001 Hopewell Centre,

183 Queen's Road East,

Wan Chai, Hong Kong



[11] 2117968.6

[15] 07-05-2021

[51] Cl. 21-01

[54] 積木

Building block

[73] Costas Sisamos

Kerinionas 34, Ipsonas,

4187, Limassol,

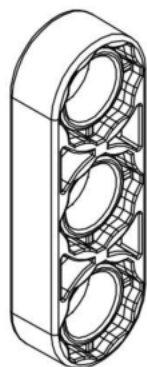
Cyprus

[74] CHINAHONGKONG PATENT LIMITED

3012, 30/F, Office Tower, Convention Plaza,

1 Harbour Road,

Hong Kong



[11] 2117969.8

[15] 07-05-2021

[30] 12-11-2020 / CN / 202030685301.9

[51] Cl. 13-02

[54] 無線充電支架

Wireless charger holder

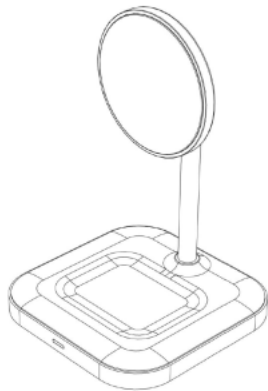
[73] 廣東高普達集團股份有限公司

GUANGDONG GOPOD GROUP HOLDING CO., LTD.

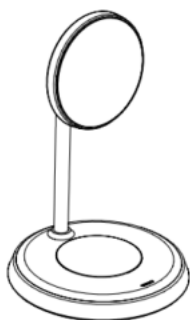
中國內地

廣東省深圳市龍華新區大浪街道同勝社區華榮路
聯建科技工業園廠房 8 棟 4, 5, 6 樓

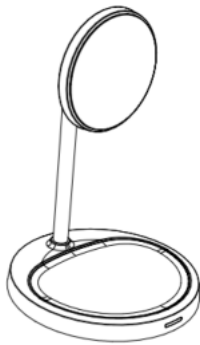
- [74] 中港專利有限公司
香港
港灣道 1 號會展廣場
辦公大樓 30 樓 3012 室



-
- [11] 2117970.0
[15] 07-05-2021
[30] 17-11-2020 / CN / 202030696206.9
[51] C1. 13-02
[54] 無線充電支架
Wireless charger holder
[73] 廣東高普達集團股份有限公司
GUANGDONG GOPOD GROUP HOLDING CO., LTD.
中國內地
廣東省深圳市龍華新區大浪街道同勝社區華榮路
聯建科技工業園廠房 8 棟 4, 5, 6 樓
[74] 中港專利有限公司
香港
港灣道 1 號會展廣場
辦公大樓 30 樓 3012 室



- [11] 2117971.2
[15] 07-05-2021
[30] 17-11-2020 / CN / 202030696206.9
[51] Cl. 13-02
[54] 無線充電支架
Wireless charger holder
[73] 廣東高普達集團股份有限公司
GUANGDONG GOPOD GROUP HOLDING CO., LTD.
中國內地
廣東省深圳市龍華新區大浪街道同勝社區華榮路
聯建科技工業園廠房 8 棟 4,5,6 樓
[74] 中港專利有限公司
香港
港灣道 1 號會展廣場
辦公大樓 30 樓 3012 室



-
- [11] 2117972.4
[15] 07-05-2021
[30] 17-11-2020 / CN / 202030697255.4
[51] Cl. 13-02
[54] 手遊裝置的無線充電器
Wireless charger for mobile game device
[73] 廣東高普達集團股份有限公司
GUANGDONG GOPOD GROUP HOLDING CO., LTD.
中國內地
廣東省深圳市龍華新區大浪街道同勝社區華榮路
聯建科技工業園廠房 8 棟 4,5,6 樓
[74] 中港專利有限公司
香港

港灣道 1 號會展廣場
辦公大樓 30 樓 3012 室



[11] 2117973.6

[15] 07-05-2021

[30] 16-03-2021 / CN / 202130140239.X

[51] Cl. 23-04

[54] 智慧移動噴霧器

Smart mobile sprayer

[73] 建溢金融財務有限公司

KIN YAT CAPITAL LIMITED

香港九龍

新蒲崗六合街 25-27 號

嘉時工廠大廈 7 字樓

[74] LECOME INTELLECTUAL PROPERTY AGENT LIMITED

香港九龍

尖沙咀廣東道 5 號

海港城海洋中心 8 樓 826 室



[11] 2117974.8

[15] 07-05-2021

[51] Cl. 14-06

- [54] 燈具和手提電話固定裝置
Light and cell phone mounting fixture
- [73] Erik A. Kaiser
70 Little West Street, 22E,
New York, NY 10004,
United States
- [74] CHINAHONGKONG IP LIMITED
3011, 30/F, Office Tower, Convention Plaza,
1 Harbour Road,
Hong Kong



-
- [11] 2117975.1M001
- [15] 07-05-2021
- [51] Cl. 2-04
- [54] 鞋
Footwear
- [73] Airwair International Limited
Cobb's Lane, Wollaston,
Wellingborough, Northamptonshire NN29 7SW,
United Kingdom
- [74] HOGAN LOVELLS
11th Floor, One Pacific Place,
88 Queensway,
Hong Kong



[11] 2117975.1M002

[15] 07-05-2021

[51] Cl. 2-04

[54] 用於鞋面的圖案

Pattern for footwear upper

[73] Airwair International Limited

Cobb's Lane, Wollaston,
Wellingborough, Northamptonshire NN29 7SW,
United Kingdom

[74] HOGAN LOVELLS

11th Floor, One Pacific Place,
88 Queensway,
Hong Kong



[11] 2117975.1M003

[15] 07-05-2021

[51] Cl. 2-04

[54] 用於鞋面的圖案

Pattern for footwear upper

[73] Airwair International Limited

Cobb's Lane, Wollaston,
Wellingborough, Northamptonshire NN29 7SW,
United Kingdom

[74] HOGAN LOVELLS
11th Floor, One Pacific Place,
88 Queensway,
Hong Kong



[11] 2117975.1M004

[15] 07-05-2021

[51] Cl. 2-04

[54] 用於鞋面的圖案
Pattern for footwear upper

[73] Airwair International Limited
Cobb's Lane, Wollaston,
Wellingborough, Northamptonshire NN29 7SW,
United Kingdom

[74] HOGAN LOVELLS
11th Floor, One Pacific Place,
88 Queensway,
Hong Kong



[11] 2117975.1M005

[15] 07-05-2021

[51] Cl. 2-04

[54] 用於鞋面的圖案

Pattern for footwear upper

[73] Airwair International Limited

Cobb's Lane, Wollaston,

Wellingborough, Northamptonshire NN29 7SW,

United Kingdom

[74] HOGAN LOVELLS

11th Floor, One Pacific Place,

88 Queensway,

Hong Kong



[11] 2117975.1M006

[15] 07-05-2021

[51] Cl. 2-04

[54] 用於鞋面的圖案

Pattern for footwear upper

[73] Airwair International Limited

Cobb's Lane, Wollaston,

Wellingborough, Northamptonshire NN29 7SW,

United Kingdom

[74] HOGAN LOVELLS

11th Floor, One Pacific Place,

88 Queensway,

Hong Kong



[11] 2117975.1M007

[15] 07-05-2021

[51] Cl. 2-04

[54] 用於鞋面的圖案

Pattern for footwear upper

[73] Airwair International Limited

Cobb's Lane, Wollaston,

Wellingborough, Northamptonshire NN29 7SW,

United Kingdom

[74] HOGAN LOVELLS

11th Floor, One Pacific Place,

88 Queensway,

Hong Kong



[11] 2117976.3

[15] 07-05-2021

[30] 24-11-2020 / CN / 202030716305.9

[51] Cl. 14-04

[54] 系統登錄圖形用戶界面

Graphical user interface for system login

[73] 京東數字科技控股股份有限公司

JINGDONG DIGITS TECHNOLOGY HOLDING CO., LTD.

中國內地

北京市北京經濟技術開發區科創十一街 18 號

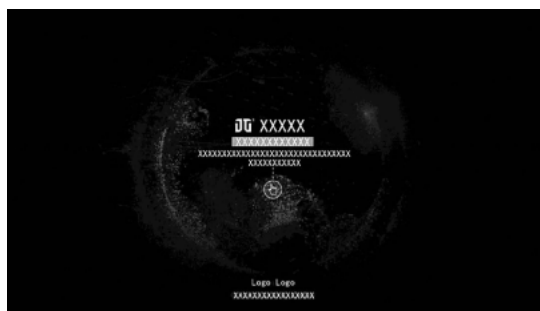
C 座 2 層 221 室

[74] 隆天專利商標代理有限公司

香港長沙灣

青山道 485 號

九龍廣場 10 樓 11 室



[11] 2117977.5

[15] 07-05-2021

[51] Cl. 9-03

[54] 包裝盒
Packing box

[73] 廣州康和藥業（香港）有限公司
GUANGZHOU KANGHE PHARMACEUTICAL (HONG KONG) COMPANY LIMITED
香港上環
干諾道中 168-200 號
信德中心西座 10 樓 08 室

[74] 廣州康和藥業（香港）有限公司
香港上環
干諾道中 168-200 號
信德中心西座 10 樓 08 室



[11] 2117980.1M001

[15] 10-05-2021

[30] 22-12-2020 / MA, NO, OM, SG, CH, TN, TR, UA, GB, EU, AL /
DM/211 918

[51] Cl. 10-02

[54] 手錶
Wristwatch

[73] SWATCH AG (SWATCH SA) (SWATCH LTD.)
Nicolas G. Hayek Strasse 1,
2502 Biel/Bienne,
Switzerland

[74] SPRUSON & FERGUSON (HONG KONG) LIMITED
5001 Hopewell Centre,
183 Queen's Road East,
Wan Chai, Hong Kong



[11] 2117980.1M002

[15] 10-05-2021

[30] 22-12-2020 / MA, NO, OM, SG, CH, TN, TR, UA, GB, EU, AL /
DM/211 918

[51] Cl. 10-02

[54] 手錶
Wristwatch

[73] SWATCH AG (SWATCH SA) (SWATCH LTD.)
Nicolas G. Hayek Strasse 1,
2502 Biel/Bienne,
Switzerland

[74] SPRUSON & FERGUSON (HONG KONG) LIMITED
5001 Hopewell Centre,
183 Queen's Road East,
Wan Chai, Hong Kong



- [11] 2117981.3
[15] 10-05-2021
[30] 29-01-2021 / MA, NO, OM, SG, CH, TN, TR, UA, GB, EU, AL /
DM/212 631
[51] Cl. 10-02
[54] 手錶
Wristwatch
[73] SWATCH AG (SWATCH SA) (SWATCH LTD.)
Nicolas G. Hayek Strasse 1,
2502 Biel/Bienne,
Switzerland
[74] SPRUSON & FERGUSON (HONG KONG) LIMITED
5001 Hopewell Centre,
183 Queen's Road East,
Wan Chai, Hong Kong



-
- [11] 2117982.5
[15] 10-05-2021
[30] 29-01-2021 / MA, NO, OM, SG, CH, TN, TR, UA, GB, EU, AL /
DM/212 630
[51] Cl. 10-02
[54] 手錶
Wristwatch
[73] SWATCH AG (SWATCH SA) (SWATCH LTD.)
Nicolas G. Hayek Strasse 1,
2502 Biel/Bienne,
Switzerland
[74] SPRUSON & FERGUSON (HONG KONG) LIMITED
5001 Hopewell Centre,
183 Queen's Road East,
Wan Chai, Hong Kong



[11] 2117986.4

[15] 10-05-2021

[51] Cl. 12-16

[54] 汽車尾翼

Car rear spoiler

[73] 梁健輝

Leung Kin Fai

香港九龍

土瓜灣上鄉道 39-41 號

昌華工廠大廈 6 樓 C1 至 2 室

[74] 卓遠知識產權有限公司

香港上環

禧利街 27 號

富輝商業中心 10 樓



[11] 2117987.6

[15] 11-05-2021

[51] Cl. 21-01

[54] 玩偶頭部

Doll's head

[73] 揭陽市德發實業有限公司

JIEYANG DEFA INDUSTRY CO., LTD.

Deqiao Industry Zone, Xihe, Yuecheng,

Jiedong, Jieyang, Guangdong,

China

[74] CHINAHONGKONG PATENT LIMITED
3012, 30/F, Office Tower, Convention Plaza,
1 Harbour Road,
Hong Kong



[11] 2117989.0

[15] 11-05-2021

[51] Cl. 9-03

[54] 咖啡包包裝盒

Box for coffee bags

[73] Bacha Coffee Pte. Ltd.

390 Havelock Road, #08-06 King's Centre, Singapore 169662,
Singapore

[74] ROBIN BRIDGE & JOHN LIU

6th Floor, Emperor Commercial Centre,
39 Des Voeux Road Central,
Hong Kong



[11] 2117990.2

[15] 11-05-2021

[30] 17-11-2020 / EU / 008273908-0001

[51] Cl. 9-01

[54] 瓶子

Bottle

[73] WLI (UK) Limited

1 Grenfell Road,

Maidenhead,

SL6 1HN,

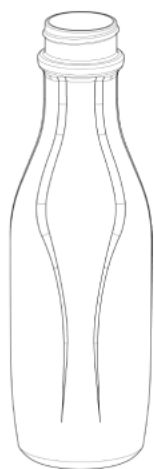
United Kingdom

[74] ROBIN BRIDGE & JOHN LIU

6th Floor, Emperor Commercial Centre,

39 Des Voeux Road Central,

Hong Kong



[11] 2117992.6M001

[15] 11-05-2021

[51] Cl. 6-04

[54] 櫃

Cabinet

[73] 陳凱光

Chan Hoi Kong Brian

Room 9, 10/F, 688-690 Castle Peak Road,

Kaming Factory Building,

Lai Chi Kok, Kowloon, Hong Kong

FACADE DESIGN LTD

Room 9, 10/F, 688-690 Castle Peak Road,

Kaming Factory Building,

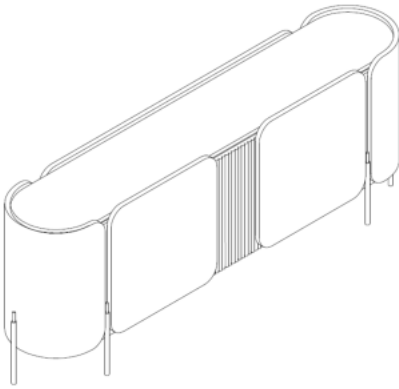
Lai Chi Kok, Kowloon, Hong Kong

[74] ACCOLADE IP LIMITED

10/F, Fu Fai Comm. Ctr.,

27 Hillier Street,

Sheung Wan, Hong Kong



[11] 2117992.6M002

[15] 11-05-2021

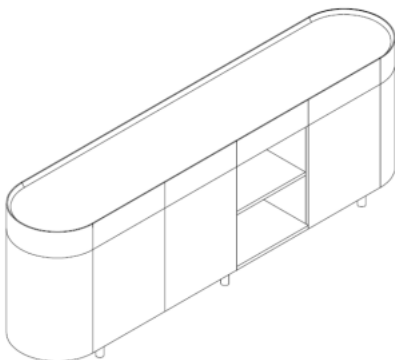
[51] Cl. 6-04

[54] 櫃
Cabinet

[73] 陳凱光
Chan Hoi Kong Brian
Room 9, 10/F, 688-690 Castle Peak Road,
Kaming Factory Building,
Lai Chi Kok, Kowloon, Hong Kong

FACADE DESIGN LTD
Room 9, 10/F, 688-690 Castle Peak Road,
Kaming Factory Building,
Lai Chi Kok, Kowloon, Hong Kong

[74] ACCOLADE IP LIMITED
10/F, Fu Fai Comm. Ctr.,
27 Hillier Street,
Sheung Wan, Hong Kong



[11] 2117993.8

[15] 11-05-2021

[51] Cl. 23-04

[54] 便攜式冷氣
Portable air conditioner

[73] 徐卓朗
Chui Cheuk Long
Unit 5, 17/F, Wellborne Commercial Center,
8 Java Road, North Point,
Hong Kong

[74] ACCOLADE IP LIMITED
10/F, Fu Fai Comm. Ctr.,
27 Hillier Street,
Sheung Wan, Hong Kong



[11] 2117994.0

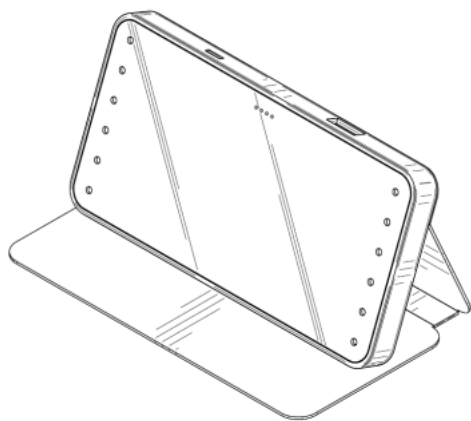
[15] 11-05-2021

[51] Cl. 6-07

[54] 便攜式帶燈的鏡子
Portable lighted mirror

[73] Erik A. Kaiser
70 Little West Street, 22E,
New York, NY 10004,
United States

[74] CHINAHONGKONG IP LIMITED
3011, 30/F, Office Tower, Convention Plaza,
1 Harbour Road,
Hong Kong



[11] 2117995.3

[15] 11-05-2021

[51] Cl. 6-07

[54] 鏡子配件

Mirror attachment

[73] Erik A. Kaiser

70 Little West Street, 22E,

New York, NY 10004,

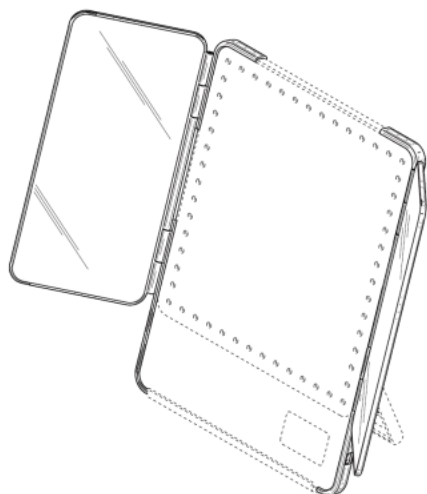
United States

[74] CHINAHONGKONG IP LIMITED

3011, 30/F, Office Tower, Convention Plaza,

1 Harbour Road,

Hong Kong



[11] 2117997.7

[15] 12-05-2021

[30] 30-11-2020 / LI, MC, OM, RU, SG, CH, TR, UA, GB, VN, EU, IS,
JP, KR / WIPO99852

[51] Cl. 10-02

[54] 手錶
Watch

[73] Turlen Holding SA
Rue du Jura 11,
2345 Les Breuleux,
Switzerland

[74] WILKINSON & GRIST
6th Floor, Prince's Building,
Chater Road,
Hong Kong



[11] 2118001.7

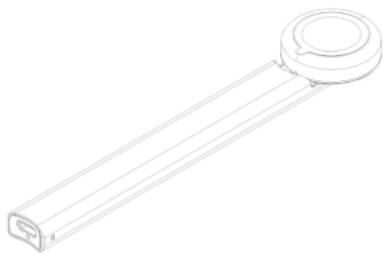
[15] 13-05-2021

[51] Cl. 28-03

[54] 美容儀器
Beauty apparatus

[73] Trophy Skin Products LLC
1633 W. Innovation Way,
Suite 300, Lehi, UT 84043,
United States

[74] TRADEMARKCN COMPANY LIMITED
Block A, 4/F., Granville Building,
14 Granville Road,
Tsim Sha Tsui, Kowloon, Hong Kong



[11] 2118002.9

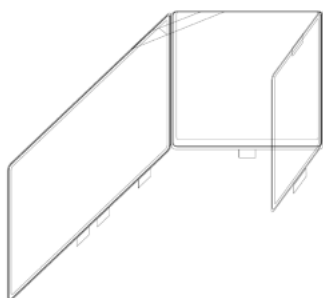
[15] 13-05-2021

[51] Cl. 6-06

[54] 屏擋
Shield stand

[73] 鄭家俊
CHENG KA CHUN
Room 906, Kowloon Bay Industrial Centre,
15 Wang Hoi Road,
Kowloon Bay, Kowloon, Hong Kong

[74] HONG KONG INTELLECTUAL PROPERTY ADVISORY SERVICE LIMITED
Unit 1701, 17/F., Ew International Tower,
120 Texaco Road,
Tsuen Wan, New Territories, Hong Kong



[11] 2118003.1

[15] 13-05-2021

[30] 24-11-2020 / JP / 025315 of 2020

[51] Cl. 9-03

[54] 包裝用容器
Packaging container

[73] 東亞合成株式會社
TOAGOSEI CO., LTD.
1-14-1, Nishi-Shimbashi,
Minato-ku, Tokyo 105-8419,
Japan

- [74] BENNY KONG & TSAI
Unit 19B, Overseas Trust Bank Building,
No. 160 Gloucester Road,
Wanchai, Hong Kong



-
- [11] 2118005.6
[15] 14-05-2021
[30] 18-11-2020 / CN / 202030699170.X
[51] Cl. 14-03
[54] 手機
Mobile phone
[73] 維沃移動通信有限公司
VIVO MOBILE COMMUNICATION CO., LTD.
中國內地
廣東省東莞市長安鎮
靖海東路 168 號
[74] 中國專利代理(香港)有限公司
香港灣仔
港灣道 23 號
鷹君中心 22 字樓



[11] 2118007.0

[15] 14-05-2021

[51] Cl. 11-01

[54] 手鐲

Bracelet

[73] 周生生珠寶金行有限公司

Chow Sang Sang Jewellery Company Limited

4/F., Chow Sang Sang Building,

229 Nathan Road, Kowloon,

Hong Kong

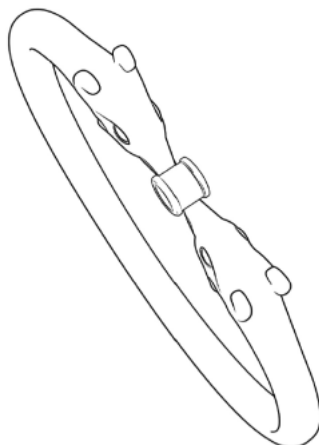
[74] HONG KONG INTELLECTUAL PROPERTY AGENT LIMITED

Unit 230, 2/F, Building 12W,

No. 12 Science Park West Avenue,

Phase 3, Hong Kong Science Park,

Pak Shek Kok, N.T., Hong Kong



[11] 2118008.2M001

[15] 14-05-2021

[30] 02-12-2020 / BE, FR, DE, LU, NL, SG, ES, CH, IT / DM/211 569

[51] Cl. 3-01

[54] 手袋

Handbag

[73] CHANEL

135 avenue Charles de Gaulle,
92200 Neuilly-sur-Seine,
France

[74] WILKINSON & GRIST

6th Floor, Prince's Building,
Chater Road,
Hong Kong



[11] 2118008.2M002

[15] 14-05-2021

[30] 02-12-2020 / BE, FR, DE, LU, NL, SG, ES, CH, IT / DM/211 569

[51] Cl. 3-01

[54] 手袋

Handbag

[73] CHANEL

135 avenue Charles de Gaulle,
92200 Neuilly-sur-Seine,
France

[74] WILKINSON & GRIST

6th Floor, Prince's Building,
Chater Road,
Hong Kong



[11] 2118008.2M003

[15] 14-05-2021

[30] 02-12-2020 / BE, FR, DE, LU, NL, SG, ES, CH, IT / DM/211 569

[51] Cl. 3-01

[54] 手袋

Handbag

[73] CHANEL

135 avenue Charles de Gaulle,

92200 Neuilly-sur-Seine,

France

[74] WILKINSON & GRIST

6th Floor, Prince's Building,

Chater Road,

Hong Kong



[11] 2118011.8

[15] 14-05-2021

[30] 23-02-2021 / CN / 202130102326.6

[51] C1. 14-06

[54] 四合一無線充電支架
Four-in-one wireless charging holder

[73] 前海駿達（深圳）股權投資有限公司
QIANHAI JUNDA (SHENZHEN) EQUITY INVESTMENT CO., LTD.
中國內地
廣東省深圳市龍華新區大浪街道同勝社區華榮路
聯建科技工業園廠房 8 棟 4,5,6 樓

[74] 中一聯合國際知識產權有限公司
香港九龍
尖沙咀漆咸道南 45-51 號
其士大廈 803 室





香港特別行政區政府知識產權署外觀設計註冊處

The Government of the Hong Kong Special Administrative Region

Designs Registry, Intellectual Property Department

根據註冊外觀設計條例第 28 條，下列註冊外觀設計因未繳續期費而停止有效。

各組記項按註冊外觀設計停止有效日期及註冊編號先後次序排列。

Registered designs ceased through non-payment of renewal fees under section 28 of the Registered Designs Ordinance. Entries are listed below under their expiry dates.

01-04-2021 - 07-04-2021

01-04-2021	1600622.7M001	1600644.3M001
0110486.2	1600622.7M002	1600644.3M002
	1600622.7M003	1600645.6M001
02-04-2021	1600622.7M004	1600645.6M002
0110490.0M001	1600622.7M005	
	1600622.7M006	
03-04-2021	1600622.7M007	
0600878.7	1600626.6	
0600879.9		
1100548.5	06-04-2021	
1100552.3	0600891.4	
	1100568.7M001	
04-04-2021	1100568.7M002	
1600478.0	1600630.4	
1600606.4M001	1600631.6	
1600606.4M002	1600632.8	
1600606.4M003	1600635.5	
1600606.4M004	1600636.7	
1600613.8M003	1600637.9M001	
1600613.8M004	1600637.9M002	
1600614.0	1600638.1	
1600616.5		
1600617.7	07-04-2021	
1600618.9M001	1100579.0M001	
1600618.9M002	1100579.0M002	
1600618.9M003	1100579.0M003	
1600618.9M004	1100579.0M004	
1600618.9M005	1100579.0M005	
1600619.1	1100584.0	
	1600639.3	
05-04-2021	1600640.5	
1100559.8	1600641.7M001	
1600621.5M001	1600643.1M001	
1600621.5M002	1600643.1M002	



香港特別行政區政府知識產權署外觀設計註冊處

The Government of the Hong Kong Special Administrative Region

Designs Registry, Intellectual Property Department

根據註冊外觀設計規則第 31 條刪除的註冊外觀設計。各組記項按註冊外觀設計刪除日期及註冊編號先後次序排列。

Registered designs removed under section 31 of the Registered Designs Rules. Entries are listed below under their removal dates.

04-06-2021 - 10-06-2021

04-06-2021	1502160.7	1502170.8M010
1502149.4M005	1502161.9	1502170.8M011
1502149.4M006	1502162.1	1502170.8M012
1502154.4M001	1502163.3M001	1502170.8M013
1502154.4M002	1502163.3M002	1502170.8M014
1502154.4M003	1502164.5M001	1502170.8M015
1502154.4M004	1502164.5M002	1502170.8M016
1502154.4M005	1502164.5M003	1502170.8M017
1502154.4M006	1502164.5M004	1502170.8M018
1502154.4M007		1502170.8M019
	09-06-2021	1502170.8M020
05-06-2021	0502407.0M001	1602092.3M001
0502357.3	0502407.0M002	1602092.3M002
	1001822.6	1602092.3M003
06-06-2021	1502165.8	1602092.3M004
0502372.4	1502167.2	
0502373.6	1502168.4	10-06-2021
1001788.3M002	1502169.6M001	1001838.0
1001796.0	1502169.6M002	1502171.0
1001797.2	1502169.6M003	1502172.2M001
1001798.4	1502169.6M004	1502172.2M002
	1502169.6M005	
07-06-2021	1502169.6M006	
1502156.9	1502169.6M007	
1502157.1	1502169.6M008	
1502158.3	1502170.8M001	
	1502170.8M002	
08-06-2021	1502170.8M003	
0502399.1M001	1502170.8M004	
0502399.1M002	1502170.8M005	
0502399.1M003	1502170.8M006	
0502399.1M004	1502170.8M007	
0502399.1M005	1502170.8M008	
1001810.1M003	1502170.8M009	