

香港知識產權公報

Hong Kong Intellectual Property Journal

2020年9月25日
25 September 2020

目錄 Contents

根據註冊外觀設計條例第 25 條註冊的外觀設計

Designs Registered under section 25 of the Registered Designs Ordinance

按註冊編號排列

Arranged by Registration Number

根據註冊外觀設計條例(第 522 章)公布的其他公告

Other Notices Published under the Registered Designs Ordinance (Cap. 522)

根據註冊外觀設計條例第 28 條，註冊外觀設計因未繳續期費而停止有效

Registered designs ceased through non-payment of renewal fees under section 28 of the Registered Designs Ordinance

根據註冊外觀設計規則第 31 條刪除的註冊外觀設計

Registered designs removed under section 31 of the Registered Designs Rules

勘誤

Corrigendum

以下事項沒有記錄

No Records for the Following Matters

根據註冊外觀設計條例第 30 條放棄的外觀設計的註冊

Surrender of Registration of Design under section 30 of the Registered Designs Ordinance

根據註冊外觀設計規則第 37 條，向處長作出轉介

Reference to Registrar under section 37 of the Registered Designs Rules

根據註冊外觀設計條例第 45 條，撤銷註冊

Revocation of Registration under section 45 of the Registered Designs Ordinance

根據註冊外觀設計規則第 46 條，向法院作出轉介

Reference to Court under section 46 of the Registered Designs Rules

根據註冊外觀設計規則第 63 條對不符合規定之處作出糾正

Rectification of Irregularities under section 63 of the Registered Designs Rules

根據註冊外觀設計條例第 66 條，糾正註冊紀錄冊

Rectification of Register under section 66 of the Registered Designs Ordinance

根據註冊外觀設計條例第 67 條 更正註冊紀錄冊內的錯誤

Correction of errors in Register under section 67 of the Registered Designs Ordinance

根據註冊外觀設計條例第 67 及 76 條，更正註冊紀錄冊內及已提交文件中的錯誤

Correction of Errors in Register and in Filed Documents under sections 67 and 76 of the Registered Designs Ordinance

根據註冊外觀設計條例第 76 條，更正已提交文件中的錯誤

Correction of errors in filed documents under section 76 of the Registered Designs Ordinance

註冊外觀設計公告註釋

Notes on advertisements of registration of designs

方括號表示下列資料：

Square brackets indicate the following data：

[11] 註冊編號 Registration number / 聯合王國註冊編號 United Kingdom registration number

[15] 註冊日期 Registration date / 當作註冊日期 Deemed registration date / 聯合王國註冊日期 United Kingdom registration date

[17] 註冊有效期屆滿日期 Expiry date of the period of registration

[22] 提交日期 Filing date / 當作提交日期 Deemed filing date / 聯合王國提交日期 United Kingdom filing date

[30] 聲稱享有的優先權（提交日期 / 巴黎公約國或世界貿易組織成員 / 申請編號） Priority claimed (filing date / Paris Convention country or WTO member / application number)

[51] 國際外觀設計分類號（洛迦諾分類號） International Classification of designs (Locarno Classification)

[54] 物品 Article

[55] 外觀設計的表述 Representation of the design

[62] 分開前的申請編號及提交日期 Application number before division and filing date

[66] 過往註冊的聯繫外觀設計註冊編號 / 日期 Registration No. / Date of Previous Registration for Association

[72] 設計人 Designer

[73] 擁有人姓名和地址 Name and address of the owner

[74] 代理人 Agent / 送達地址 Address for service



香港特別行政區政府知識產權署外觀設計註冊處

The Government of the Hong Kong Special Administrative Region

Designs Registry, Intellectual Property Department

根據註冊外觀設計條例第 25 條註冊的外觀設計

Designs registered under section 25 of the Registered Designs Ordinance

按註冊編號排列

Arranged by Registration Number

[11] 1914495.5

[15] 20-08-2019

[51] Cl. 9-03

[54] 包裝盒

Packaging box

[73] 學勤藥房有限公司

HOK KAN DISPENSARY LIMITED

香港

新界屯門

萬成大廈地下 3 號舖

[74] UNIXION IP COMPANY LIMITED

香港

中環德輔道中 99-105 號

大新人壽大廈 2 樓



[11] 1914928.5M001

[15] 01-11-2019

[51] Cl. 10-07

[54] 翅膀造型手錶腕帶

Wing shaped wristband for watch

[73] 容詩韻

Michelle Sze Wan YUNG

香港半山

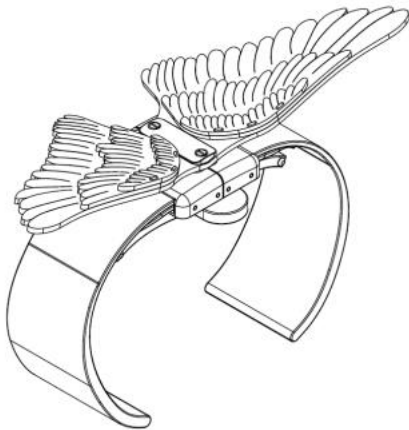
士丹頓街 72 號尚賢居 6A

[74] 中港知識產權有限公司

香港

港灣道 1 號

會展廣場辦公大樓 30 樓 3011 室



[11] 1914928.5M002

[15] 01-11-2019

[51] Cl. 10-07

[54] 蝴蝶造型手錶腕帶

Butterfly shaped wristband for watch

[73] 容詩韻

Michelle Sze Wan YUNG

香港半山

士丹頓街 72 號尚賢居 6A

[74] 中港知識產權有限公司

香港

港灣道 1 號

會展廣場辦公大樓 30 樓 3011 室



[11] 1915193.5

[15] 16-12-2019

[51] Cl. 5-06

[54] 壓紋用於家用紙巾產品

Embossing pattern for household tissue products

[73] 日佳紙業有限公司

Luck Tissue Mfy. Ltd.

香港新界沙田

火炭黃竹洋街 1-3 號

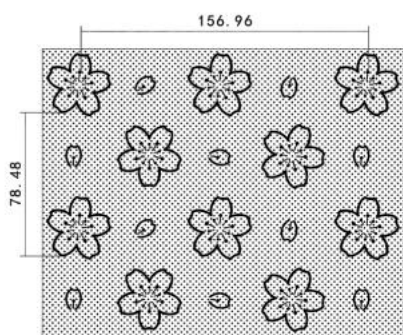
裕昌中心 6 樓 B 室

[74] 日佳紙業有限公司

香港新界沙田

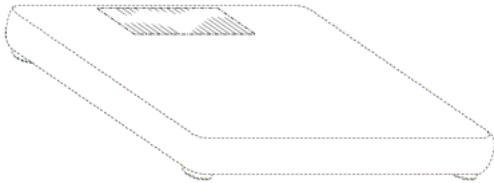
火炭黃竹洋街 1-3 號

裕昌中心 6 樓 B 室

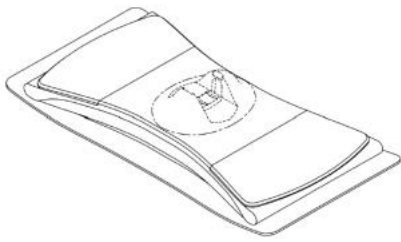


- [11] 2015659.8
[15] 29-05-2019
[30] 23-01-2019 / US / 29/677,816
[51] Cl. 10-04
[54] 體重秤連浴墊
Weight scale with bath mat
[73] William Huckestein
5963 Olivas Park Drive,
Suite F Ventura CA 93003,
UNITED STATES

Bryan Kim
5963 Olivas Park Drive,
Suite F Ventura CA 93003,
UNITED STATES
[74] IVAN WONG IP LIMITED
Unit 1406, 14th Floor, The Broadway,
54-62 Lockhart Road,
Wanchai, Hong Kong



-
- [11] 2015782.8
[15] 13-03-2020
[30] 13-09-2019 / JP / 020627 of 2019
[51] Cl. 4-01
[54] 拖把頭
Head for wiper mop
[73] 花王株式會社
KAO CORPORATION
14-10, Nihonbashi Kayaba-cho,
1-chome, Chuo-ku,
Tokyo 103-8210,
JAPAN
[74] MARKS & CLERK
Level 9, Cyberport 1
100 Cyberport Road,
Pok Fu Lam, Hong Kong



[11] 2015910.1M001

[15] 03-04-2020

[30] 28-10-2019 / CN / 201930589236.7

[51] C1. 14-04

[54] 用於智能手錶的圖形用戶界面

Graphical user interface for smart watch

[73] 北京小米移動軟件有限公司

BEIJING XIAOMI MOBILE SOFTWARE CO., LTD.

中國內地

北京市海澱區西二旗中路

33 號院 6 號樓 8 層 018 號

[74] 香港派特恩知識產權代理有限公司

香港上環

永樂街 121-125 號

永達商業大廈 10 樓 C 室



[11] 2015910.1M002

[15] 03-04-2020

[30] 28-10-2019 / CN / 201930589236.7

- [51] Cl. 14-04
- [54] 用於智能手錶的圖形用戶界面
Graphical user interface for smart watch
- [73] 北京小米移動軟件有限公司
BEIJING XIAOMI MOBILE SOFTWARE CO., LTD.
中國內地
北京市海澱區西二旗中路
33 號院 6 號樓 8 層 018 號
- [74] 香港派特恩知識產權代理有限公司
香港上環
永樂街 121-125 號
永達商業大廈 10 樓 C 室



-
- [11] 2015910.1M003
- [15] 03-04-2020
- [30] 28-10-2019 / CN / 201930589236.7
- [51] Cl. 14-04
- [54] 用於智能手錶的圖形用戶界面
Graphical user interface for smart watch
- [73] 北京小米移動軟件有限公司
BEIJING XIAOMI MOBILE SOFTWARE CO., LTD.
中國內地
北京市海澱區西二旗中路
33 號院 6 號樓 8 層 018 號
- [74] 香港派特恩知識產權代理有限公司
香港上環
永樂街 121-125 號
永達商業大廈 10 樓 C 室



[11] 2015910.1M004

[15] 03-04-2020

[30] 28-10-2019 / CN / 201930589236.7

[51] C1. 14-04

[54] 用於智能手錶的圖形用戶界面

Graphical user interface for smart watch

[73] 北京小米移動軟件有限公司

BEIJING XIAOMI MOBILE SOFTWARE CO., LTD.

中國內地

北京市海澱區西二旗中路

33 號院 6 號樓 8 層 018 號

[74] 香港派特恩知識產權代理有限公司

香港上環

永樂街 121-125 號

永達商業大廈 10 樓 C 室



[11] 2015910.1M005

[15] 03-04-2020

[30] 28-10-2019 / CN / 201930589236.7

[51] Cl. 14-04

[54] 用於智能手錶的圖形用戶界面

Graphical user interface for smart watch

[73] 北京小米移動軟件有限公司

BEIJING XIAOMI MOBILE SOFTWARE CO., LTD.

中國內地

北京市海澱區西二旗中路

33 號院 6 號樓 8 層 018 號

[74] 香港派特恩知識產權代理有限公司

香港上環

永樂街 121-125 號

永達商業大廈 10 樓 C 室



[11] 2015910.1M006

[15] 03-04-2020

[30] 28-10-2019 / CN / 201930589236.7

[51] Cl. 14-04

[54] 用於智能手錶的圖形用戶界面

Graphical user interface for smart watch

[73] 北京小米移動軟件有限公司

BEIJING XIAOMI MOBILE SOFTWARE CO., LTD.

中國內地

北京市海澱區西二旗中路
33 號院 6 號樓 8 層 018 號

- [74] 香港派特恩知識產權代理有限公司
香港上環
永樂街 121-125 號
永達商業大廈 10 樓 C 室



[11] 2015910.1M007

[15] 03-04-2020

[30] 28-10-2019 / CN / 201930589236.7

[51] C1. 14-04

[54] 用於智能手錶的圖形用戶界面
Graphical user interface for smart watch

[73] 北京小米移動軟件有限公司
BEIJING XIAOMI MOBILE SOFTWARE CO., LTD.
中國內地
北京市海澱區西二旗中路
33 號院 6 號樓 8 層 018 號

[74] 香港派特恩知識產權代理有限公司
香港上環
永樂街 121-125 號
永達商業大廈 10 樓 C 室



[11] 2015910.1M008

[15] 03-04-2020

[30] 28-10-2019 / CN / 201930589236.7

[51] Cl. 14-04

[54] 用於智能手錶的圖形用戶界面

Graphical user interface for smart watch

[73] 北京小米移動軟件有限公司

BEIJING XIAOMI MOBILE SOFTWARE CO., LTD.

中國內地

北京市海澱區西二旗中路

33 號院 6 號樓 8 層 018 號

[74] 香港派特恩知識產權代理有限公司

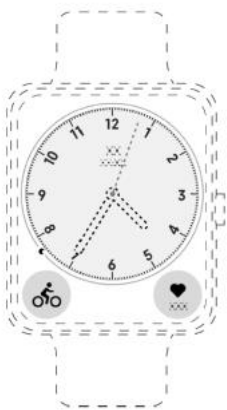
香港上環

永樂街 121-125 號

永達商業大廈 10 樓 C 室



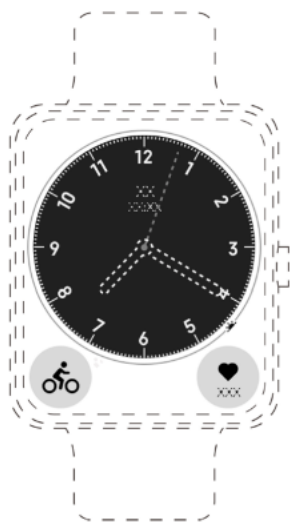
- [11] 2015932.7M001
[15] 08-04-2020
[30] 28-10-2019 / CN / 201930588839.5
[51] Cl. 14-04
[54] 用於智能手錶的圖形用戶界面
Graphical user interface for smart watch
[73] 北京小米移動軟件有限公司
BEIJING XIAOMI MOBILE SOFTWARE CO., LTD.
中國內地
北京市海澱區西二旗中路
33 號院 6 號樓 8 層 018 號
[74] 香港派特恩知識產權代理有限公司
香港上環
永樂街 121-125 號
永達商業大廈 10 樓 C 室



-
- [11] 2015932.7M002
[15] 08-04-2020
[30] 28-10-2019 / CN / 201930588839.5
[51] Cl. 14-04
[54] 用於智能手錶的圖形用戶界面
Graphical user interface for smart watch
[73] 北京小米移動軟件有限公司
BEIJING XIAOMI MOBILE SOFTWARE CO., LTD.
中國內地

北京市海澱區西二旗中路
33 號院 6 號樓 8 層 018 號

- [74] 香港派特恩知識產權代理有限公司
香港上環
永樂街 121-125 號
永達商業大廈 10 樓 C 室



-
- [11] 2015932.7M003
[15] 08-04-2020
[30] 28-10-2019 / CN / 201930588839.5
[51] C1. 14-04
[54] 用於智能手錶的圖形用戶界面
Graphical user interface for smart watch
[73] 北京小米移動軟件有限公司
BEIJING XIAOMI MOBILE SOFTWARE CO., LTD.
中國內地
北京市海澱區西二旗中路
33 號院 6 號樓 8 層 018 號
[74] 香港派特恩知識產權代理有限公司
香港上環
永樂街 121-125 號
永達商業大廈 10 樓 C 室



[11] 2015932.7M004

[15] 08-04-2020

[30] 28-10-2019 / CN / 201930588839.5

[51] Cl. 14-04

[54] 用於智能手錶的圖形用戶界面

Graphical user interface for smart watch

[73] 北京小米移動軟件有限公司

BEIJING XIAOMI MOBILE SOFTWARE CO., LTD.

中國內地

北京市海澱區西二旗中路

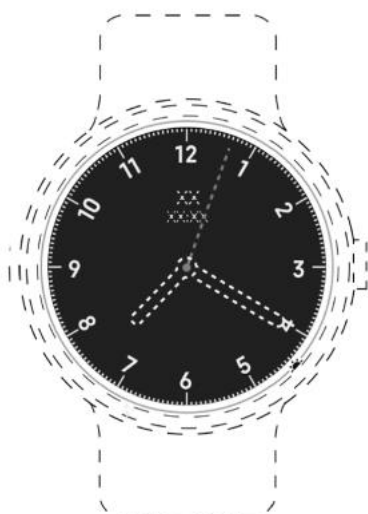
33 號院 6 號樓 8 層 018 號

[74] 香港派特恩知識產權代理有限公司

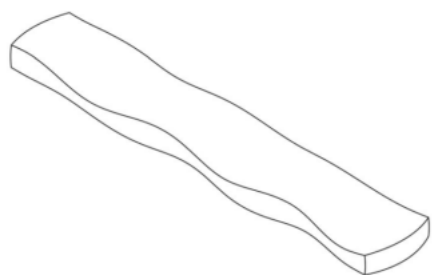
香港上環

永樂街 121-125 號

永達商業大廈 10 樓 C 室



- [11] 2016005.3
[15] 17-04-2020
[30] 18-10-2019 / EU / 007066618-0001
[51] Cl. 1-02
[54] 切馬鈴薯產品
Cut potato product
[73] 蘭博·韋斯頓/梅杰公司
Lamb-Weston/Meijer V.O.F.
Stationsweg 18a,
PJ Kruiningen, 4416,
NETHERLANDS
[74] MARKS & CLERK
Level 9, Cyberport 1,
100 Cyberport Road,
Pok Fu Lam, Hong Kong



- [11] 2016023.0
[15] 22-04-2020
[51] Cl. 10-04
[54] 紅外線測溫儀器
Infrared thermometer
[73] 楚滙有限公司
DRAWORLD CO., LTD
香港
干諾道中 200 號
信德中心西座 3110 室
[74] 楚滙有限公司
香港
干諾道中 200 號
信德中心西座 3110 室



[11] 2016211.9

[15] 22-05-2020

[51] Cl. 10-02

[54] 手錶

Watch

[73] 萬希泉鐘錶有限公司

香港柴灣

永泰道 60 號

柴灣工業城第一期 8 樓 803-804 室

[74] 萬希泉鐘錶有限公司

香港柴灣

永泰道 60 號

柴灣工業城第一期 8 樓 803-804 室



[11] 2016249.9M001

[15] 01-06-2020

[30] 05-03-2020 / US / 29/726,821

[51] Cl. 26-02

[54] 槍支前照燈

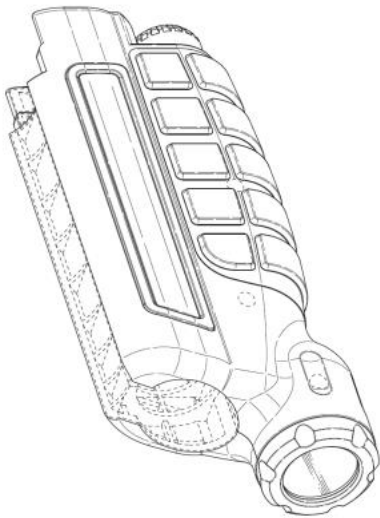
Shotgun forend light

[73] TRACTOR SUPPLY COMPANY

5401 Virginia Way,
Brentwood, Tennessee 37027,
United States

[74] CHINA PATENT AGENT (HONG KONG) LIMITED

22/F, Great Eagle Centre,
23 Harbour Road,
Wanchai, Hong Kong



[11] 2016249.9M002

[15] 01-06-2020

[30] 05-03-2020 / US / 29/726,822

[51] Cl. 26-02

[54] 槍支前照燈

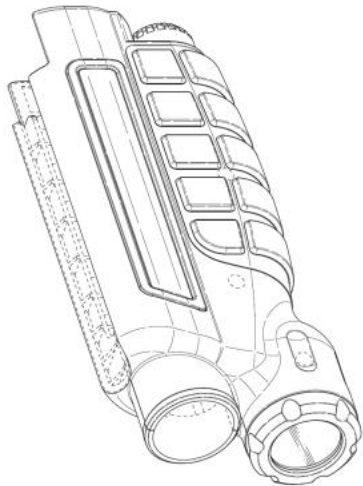
Shotgun forend light

[73] TRACTOR SUPPLY COMPANY

5401 Virginia Way,
Brentwood, Tennessee 37027,
United States

[74] CHINA PATENT AGENT (HONG KONG) LIMITED

22/F, Great Eagle Centre,
23 Harbour Road,
Wanchai, Hong Kong



[11] 2016250.1

[15] 01-06-2020

[30] 26-04-2020 / CN / 202030178271.2

[51] Cl. 23-01

[54] Integrated wastewater treatment equipment
一體化污水處理設備

[73] 江西金達萊環保股份有限公司
JIANGXI JDL ENVIRONMENTAL PROTECTION CO., LTD.
中國內地
江西省南昌市新建區
長堍外商投資開發區工業大道 459 號

[74] HONG KONG DECENT INTELLECTUAL PROPERTY AGENT LIMITED
香港
文咸東街 78 號
華東商業大廈三樓

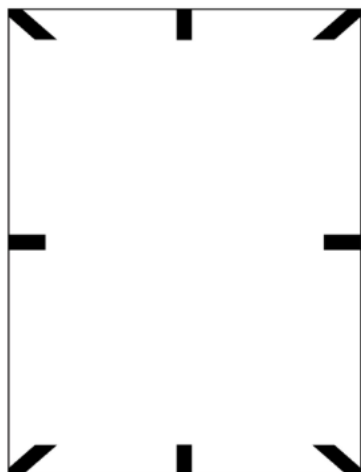


[11] 2016296.8

- [15] 08-06-2020
- [51] Cl. 9-03
- [54] 火鍋湯底包裝盒
Hot pot soup base packing box
- [73] 萬鎧瑜
MAN HOI YU
香港柴灣
豐業街 6 號
志榮昌工業大廈 11 樓 B 室
- [74] 周安娜
香港柴灣
豐業街 6 號
志榮昌工業大廈 11 樓 B 室



-
- [11] 2016302.2M001
- [15] 09-06-2020
- [30] 09-12-2019 / EU / 007362447-0001
- [51] Cl. 19-08
- [54] 標牌及標籤的裝飾
Ornamentation for tags and labels
- [73] Autumnpaper Limited
5th Floor Rear Suite, Oakfield House,
35 Perrymount Road, Haywards Heath,
West Sussex, RH16 3BW,
United Kingdom
- [74] ELLALAN
26th and 28th Floors, The Hennessy,
256 Hennessy Road,
Wanchai, Hong Kong



[11] 2016302.2M002

[15] 09-06-2020

[30] 09-12-2019 / EU / 007362447-0002

[51] Cl. 19-08

[54] 標牌及標籤的裝飾

Ornamentation for tags and labels

[73] Autumnpaper Limited

5th Floor Rear Suite, Oakfield House,
35 Perrymount Road, Haywards Heath,
West Sussex, RH16 3BW,
United Kingdom

[74] ELLALAN

26th and 28th Floors, The Hennessy,
256 Hennessy Road,
Wanchai, Hong Kong



[11] 2016302.2M003

[15] 09-06-2020

[30] 09-12-2019 / EU / 007362447-0003

[51] Cl. 19-08

[54] 標牌及標籤的裝飾

Ornamentation for tags and labels

[73] Autumnpaper Limited
5th Floor Rear Suite, Oakfield House,
35 Perrymount Road, Haywards Heath,
West Sussex, RH16 3BW,
United Kingdom

[74] ELLALAN
26th and 28th Floors, The Hennessy,
256 Hennessy Road,
Wanchai, Hong Kong



[11] 2016325.1

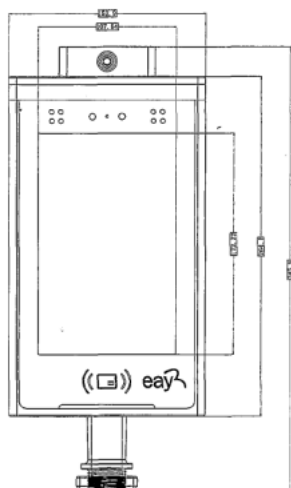
[15] 15-06-2020

[51] Cl. 10-04

[54] 紅外線測溫儀器
Infrared thermometer

[73] 楚匯有限公司
DRAWORLD CO., LTD.
香港中環
干諾道中 200 號
信德中心西座 3110 室

[74] 楚匯有限公司
香港中環
干諾道中 200 號
信德中心西座 3110 室



[11] 2016328.7M001

[15] 16-06-2020

[30] 23-12-2019 / MA, RS, SG, CH, TR, UA, US, EU, KR / DM/205 988

[51] Cl. 10-02

[54] 手腕錶

Wristwatch

[73] CHOPARD INTERNATIONAL SA

Route de Promenthoux,

1197 Prangins,

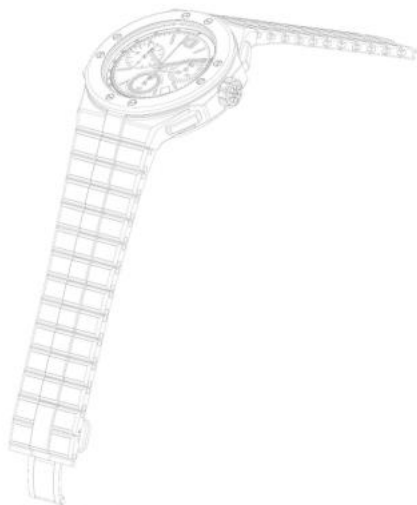
Switzerland

[74] WILKINSON & GRIST

6th Floor, Prince's Building,

Chater Road,

Hong Kong



[11] 2016328.7M002

[15] 16-06-2020

[30] 23-12-2019 / MA, RS, SG, CH, TR, UA, US, EU, KR / DM/205 987

[51] Cl. 10-02

[54] 手腕錶

Wristwatch

[73] CHOPARD INTERNATIONAL SA

Route de Promenthoux,

1197 Prangins,

Switzerland

[74] WILKINSON & GRIST

6th Floor, Prince's Building,

Chater Road,

Hong Kong



[11] 2016328.7M003

[15] 16-06-2020

[30] 23-12-2019 / MA, RS, SG, CH, TR, UA, US, EU, KR / DM/205 986

[51] Cl. 10-02

[54] 手腕錶

Wristwatch

[73] CHOPARD INTERNATIONAL SA

Route de Promenthoux,

1197 Prangins,

Switzerland

[74] WILKINSON & GRIST

6th Floor, Prince's Building,

Chater Road,

Hong Kong



[11] 2016329.9

[15] 16-06-2020

[51] Cl. 9-09

[54] 腳踏式垃圾箱

Waste bin with pedal

[73] 光易國際有限公司

HIGHLIGHT INTERNATIONAL LIMITED

Unit C, 8/F., Shing King Industrial Bldg.,

45 Kut Shing Street,

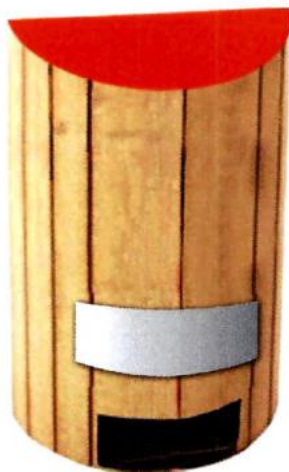
Chaiwan, Hong Kong

[74] 光易國際有限公司

Unit C, 8/F., Shing King Industrial Bldg.,

45 Kut Shing Street,

Chaiwan, Hong Kong

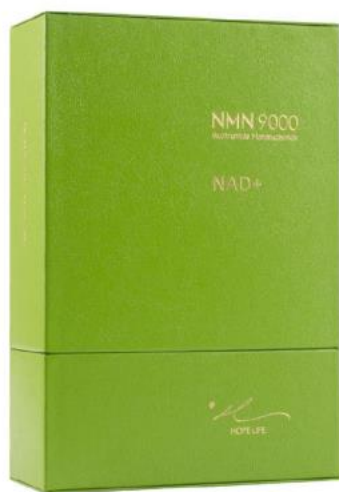


[11] 2016330.1

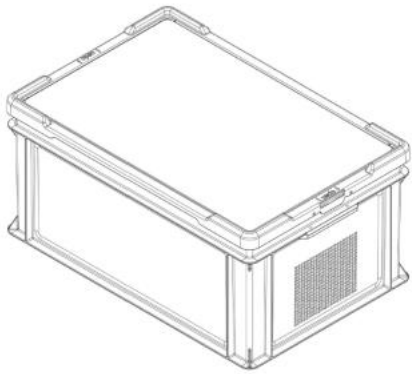
[15] 16-06-2020

[51] Cl. 9-03

- [54] 包裝盒組件
Packaging box suite
- [73] 曠逸集團控股有限公司
香港灣仔
莊士敦道 194-204 號
灣仔商業中心 17 樓 1703 室
- [74] 天標知識產權代理有限公司
香港九龍
尖沙咀加連威老道 14 號
加連威大廈 4 樓 A 座



-
- [11] 2016331.3
- [15] 16-06-2020
- [30] 18-03-2020 / LI, CH, GB, US, EU / DM/207 183
- [51] Cl. 9-03
- [54] 具有蓋的容器
Container with lid
- [73] 格奧爾格·烏茨控股股份公司
Georg UTZ Holding AG
Augraben 2-4,
5620 Bremgarten,
Switzerland
- [74] MARKS & CLERK
Level 9, Cyberport 1,
100 Cyberport Road,
Pok Fu Lam. Hong Kong



[11] 2016332.5

[15] 16-06-2020

[30] 19-05-2020 / CN / 202030229809.8

[51] Cl. 23-04

[54] 離子發生器

Ion generator

[73] 廣東松下環境系統有限公司

Panasonic Ecology Systems Guangdong Co., Ltd.

2 South Chaogui Road,

Shunde High-Tech Industrial Zone (Ronggui),

Foshan, Guangdong, P.R. China 528306,

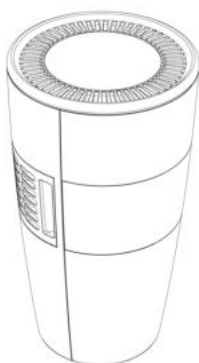
China

[74] MARKS & CLERK

Level 9, Cyberport 1,

100 Cyberport Road,

Pok Fu Lam, Hong Kong



[11] 2016333.7

[15] 16-06-2020

[51] Cl. 21-01

[54] 房屋模型

House model

[73] BNBM Homes Co., Ltd.

8/F, Longguan Real Estate Building,
118 Huilongguan West Street,
Changping District, Beijing 102208,
China

[74] SIT, FUNG, KWONG & SHUM

9th Floor, York House, The Landmark,
15 Queen's Road Central,
Hong Kong



[11] 2016334.9

[15] 16-06-2020

[51] Cl. 9-05

[54] 包裝袋

Packaging bag

[73] 曠逸集團控股有限公司

香港灣仔

莊士敦道 194-204 號

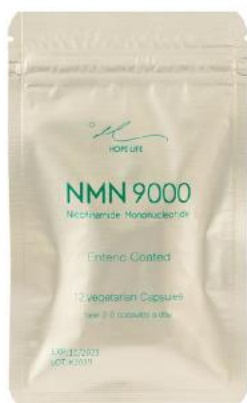
灣仔商業中心 17 樓 1703 室

[74] 天標知識產權代理有限公司

香港九龍

尖沙咀加連威老道 14 號

加連威大廈 4 樓 A 座



[11] 2016335.2

[15] 16-06-2020

[51] Cl. 9-03

[54] 包裝盒

Packaging box

[73] Dragon Rainbow Limited
Level 2, 1 Lam Wah Street,
Kowloon Bay, Kowloon
Hong Kong

[74] CHINAHONGKONG IP LIMITED
3011, 30/F, Office Tower, Convention Plaza,
1 Harbour Road,
Hong Kong



[11] 2016336.4M001

[15] 16-06-2020

[51] Cl. 21-01

[54] 玩具巴士

Toy bus

[73] CITYBUS LIMITED
8 Chong Fu Road,
Chai Wan, Hong Kong

- [74] IPMS CONSULTANTS LIMITED
Unit 2004B, 20/F, Tower 5, China Hong Kong City,
33 Canton Road, Tsim Sha Tsui,
Kowloon, Hong Kong



-
- [11] 2016336.4M002
[15] 16-06-2020
[51] Cl. 21-01
[54] 玩具巴士
Toy bus
[73] CITYBUS LIMITED
8 Chong Fu Road,
Chai Wan, Hong Kong
[74] IPMS CONSULTANTS LIMITED
Unit 2004B, 20/F, Tower 5, China Hong Kong City,
33 Canton Road, Tsim Sha Tsui,
Kowloon, Hong Kong



-
- [11] 2016337.6
[15] 17-06-2020
[30] 07-01-2020 / KR / 30-2020-0000718
[51] Cl. 27-07

[54] 電子煙

Electronic cigarette

[73] KT&G Corporation

71, Beotkkot-gil,
Daedeok-gu, Daejeon,
Korea, Republic of

[74] MARKS & CLERK

Level 9, Cyberport 1,
100 Cyberport Road,
Pok Fu Lam, Hong Kong



[11] 2016338.8

[15] 17-06-2020

[30] 07-01-2020 / KR / 30-2020-0000719

[51] Cl. 27-07

[54] 電子煙主體

Main body for electronic cigarette

[73] KT&G Corporation

71, Beotkkot-gil,
Daedeok-gu, Daejeon,
Korea, Republic of

[74] MARKS & CLERK

Level 9, Cyberport 1,
100 Cyberport Road,
Pok Fu Lam, Hong Kong



[11] 2016339.0

[15] 17-06-2020

[51] Cl. 11-02

[54] 有裝飾的盤子

Tray with ornamentation

[73] K11 工藝文化基金會

K11 CRAFT & GUILD FOUNDATION LIMITED

4/F, Tsim Sha Tsui Centre,

No. 66 Mody Road,

Tsim Sha Tsui, Kowloon, Hong Kong

KPF 建築設計事務所

KOHN PEDERSEN FOX ASSOCIATES PC

11 West 42 Street,

New York, NY 10036,

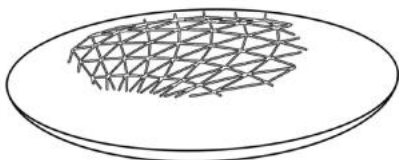
United States

[74] EAGLE IP LIMITED

Room 509, Global Gateway Tower,

63 Wing Hong Street,

Lai Chi Kok, Kowloon, Hong Kong



[11] 2016340.2M001

[15] 17-06-2020

[30] 18-12-2019 / EU / 007426424-0008

[51] Cl. 3-01

[54] 行李箱

Luggage

[73] 新秀麗 IP 控股有限責任公司

Samsonite IP Holdings S.à r.l.

13-15 avenue de la Liberté,

L-1931 Luxembourg,

Luxembourg

[74] WILKINSON & GRIST

6th Floor, Prince's Building,

Chater Road,

Hong Kong



[11] 2016340.2M002

[15] 17-06-2020

[30] 18-12-2019 / EU / 007426424-0009

[51] Cl. 3-01

[54] 行李箱

Luggage

[73] 新秀麗 IP 控股有限責任公司

Samsonite IP Holdings S.à r.l.

13-15 avenue de la Liberté,

L-1931 Luxembourg,

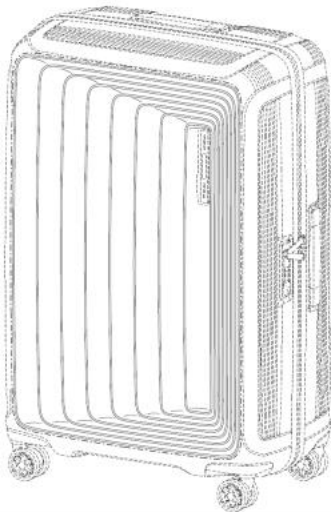
Luxembourg

[74] WILKINSON & GRIST

6th Floor, Prince's Building,

Chater Road,

Hong Kong



[11] 2016341.4M001

[15] 17-06-2020

[30] 18-12-2019 / US / 29/717,663

[51] Cl. 24-01

[54] 包裝系統

Packaging system

[73] JANSSEN PHARMACEUTICA NV

Turnhoutseweg 30,

B-2340 Beerse,

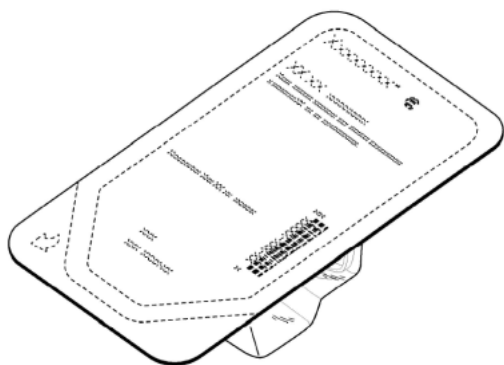
Belgium

[74] CHINA PATENT AGENT (HONG KONG) LIMITED

22/F, Great Eagle Centre,

23 Harbour Road,

Wanchai, Hong Kong



[11] 2016341.4M002

[15] 17-06-2020

[30] 18-12-2019 / US / 29/717,663

[51] Cl. 24-01

[54] 包裝系統

Packaging system

[73] JANSSEN PHARMACEUTICA NV

Turnhoutseweg 30,

B-2340 Beerse,

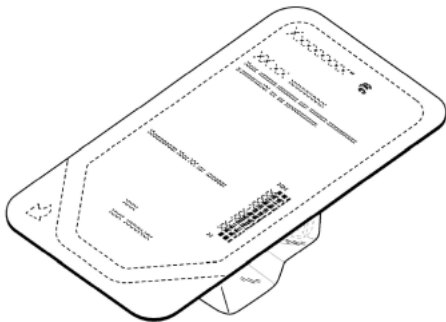
Belgium

[74] CHINA PATENT AGENT (HONG KONG) LIMITED

22/F, Great Eagle Centre,

23 Harbour Road,

Wanchai, Hong Kong



[11] 2016341.4M003

[15] 17-06-2020

[30] 18-12-2019 / US / 29/717,663

[51] Cl. 24-01

[54] 包裝系統

Packaging system

[73] JANSSEN PHARMACEUTICA NV

Turnhoutseweg 30,

B-2340 Beerse,

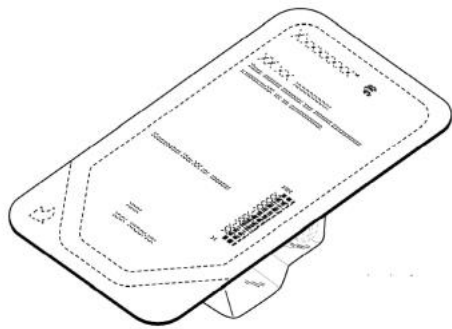
Belgium

[74] CHINA PATENT AGENT (HONG KONG) LIMITED

22/F, Great Eagle Centre,

23 Harbour Road,

Wanchai, Hong Kong



[11] 2016341.4M004

[15] 17-06-2020

[30] 18-12-2019 / US / 29/717,663

[51] Cl. 24-01

[54] 包裝系統

Packaging system

[73] JANSSEN PHARMACEUTICA NV

Turnhoutseweg 30,

B-2340 Beerse,

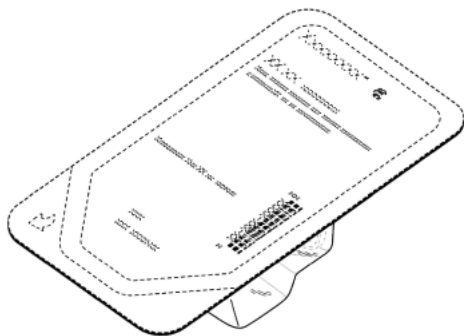
Belgium

[74] CHINA PATENT AGENT (HONG KONG) LIMITED

22/F, Great Eagle Centre,

23 Harbour Road,

Wanchai, Hong Kong



[11] 2016341.4M005

[15] 17-06-2020

[30] 18-12-2019 / US / 29/717,663

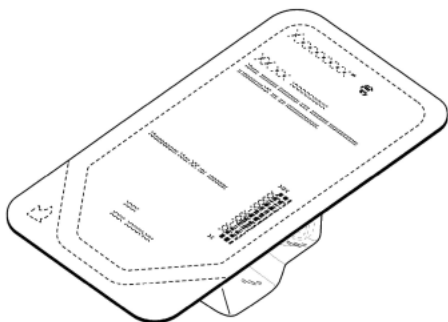
[51] Cl. 24-01

[54] 包裝系統

Packaging system

[73] JANSSEN PHARMACEUTICA NV
Turnhoutseweg 30,
B-2340 Beerse,
Belgium

[74] CHINA PATENT AGENT (HONG KONG) LIMITED
22/F, Great Eagle Centre,
23 Harbour Road,
Wanchai, Hong Kong



[11] 2016342.6M001

[15] 17-06-2020

[30] 18-12-2019 / US / 29/717,667

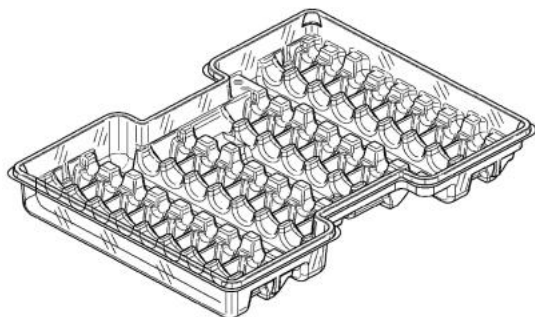
[51] Cl. 24-01

[54] 制備盤

Manufacturing trays

[73] JANSSEN PHARMACEUTICA NV
Turnhoutseweg 30,
B-2340 Beerse,
Belgium

[74] CHINA PATENT AGENT (HONG KONG) LIMITED
22/F, Great Eagle Centre,
23 Harbour Road,
Wanchai, Hong Kong



[11] 2016342.6M002

[15] 17-06-2020

[30] 18-12-2019 / US / 29/717,667

[51] Cl. 24-01

[54] 制備盤

Manufacturing trays

[73] JANSSEN PHARMACEUTICA NV

Turnhoutseweg 30,

B-2340 Beerse,

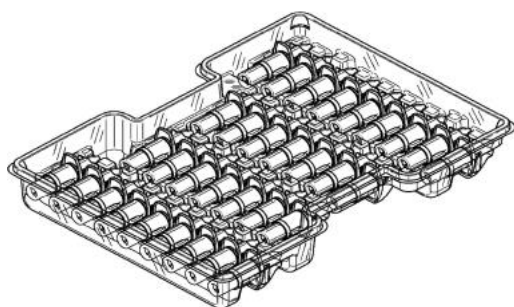
Belgium

[74] CHINA PATENT AGENT (HONG KONG) LIMITED

22/F, Great Eagle Centre,

23 Harbour Road,

Wanchai, Hong Kong



[11] 2016342.6M003

[15] 17-06-2020

[30] 18-12-2019 / US / 29/717,667

[51] Cl. 24-01

[54] 制備盤

Manufacturing trays

[73] JANSSEN PHARMACEUTICA NV

Turnhoutseweg 30,

B-2340 Beerse,

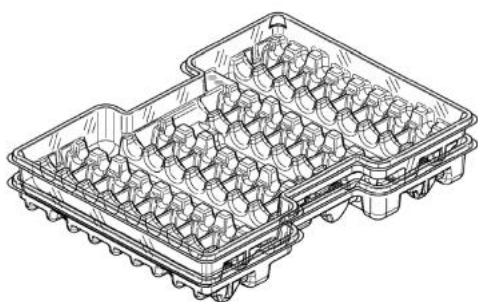
Belgium

[74] CHINA PATENT AGENT (HONG KONG) LIMITED

22/F, Great Eagle Centre,

23 Harbour Road,

Wanchai, Hong Kong



[11] 2016342.6M004

[15] 17-06-2020

[30] 18-12-2019 / US / 29/717,667

[51] Cl. 24-01

[54] 制備盤

Manufacturing tray

[73] JANSSEN PHARMACEUTICA NV

Turnhoutseweg 30,

B-2340 Beerse,

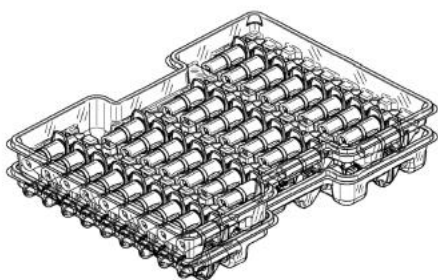
Belgium

[74] CHINA PATENT AGENT (HONG KONG) LIMITED

22/F, Great Eagle Centre,

23 Harbour Road,

Wanchai, Hong Kong



[11] 2016346.5

[15] 17-06-2020

[51] Cl. 9-03

[54] 包裝盒

Packaging box

[73] 儂美儂（香港）健康科學有限公司

NMN (HONG KONG) HEALTH SCIENCE LIMITED

香港九龍

旺角彌敦道 610 號
荷李活商業中心 1318-19 室

- [74] 康栢知識產權有限公司
- 香港九龍
- 尖沙咀廣東道 17 號
- 海港城環球金融中心南座 13A 樓 05-15 室



- [11] 2016347.7
- [15] 18-06-2020
- [30] 04-02-2020 / CA, LI, MC, OM, RU, SG, CH, TR, UA, GB, VN, EU, IS, JP, KR / WIPO91722
- [51] Cl. 10-02
- [54] 手錶
Watch
- [73] Turlen Holding SA
Rue du Jura 11,
2345 Les Breuleux,
Switzerland
- [74] WILKINSON & GRIST
6th Floor, Prince's Building,
Chater Road,
Hong Kong



[11] 2016348.9M001

[15] 18-06-2020

[51] Cl. 11-01

[54] 飾物設計

Ornament Design

[73] 六福集團有限公司

Luk Fook Holdings Company Limited
Floor 15, 20, 25 & 27, Metropole Square,
No.2 On Yiu Street, Shatin,
New Territories, Hong Kong, China

[74] Luk Fook Holdings Company Limited (Legal Affairs Department)

Floor 25, Metropole Square
No.2 On Yiu Street, Shatin,
New Territories, Hong Kong



[11] 2016348.9M002

[15] 18-06-2020

[51] Cl. 11-01

[54] 飾物設計

Ornament Design

[73] 六福集團有限公司

Luk Fook Holdings Company Limited
Floor 15, 20, 25 & 27, Metropole Square,
No.2 On Yiu Street, Shatin,
New Territories, Hong Kong, China

[74] Luk Fook Holdings Company Limited (Legal Affairs Department)

Floor 25, Metropole Square
No.2 On Yiu Street, Shatin,
New Territories, Hong Kong



[11] 2016349.1M001

[15] 18-06-2020

[30] 19-12-2019 / EU / 007432349

[51] Cl. 28-03

[54] 風筒

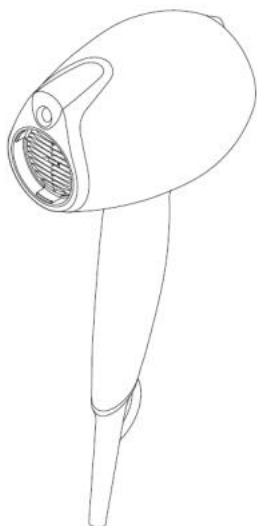
Hair dryer

[73] Koninklijke Philips N.V.

High Tech Campus 52,
5656 AG Eindhoven,
Netherlands

[74] WILKINSON & GRIST

6th Floor, Prince's Building,
Chater Road,
Hong Kong



[11] 2016349.1M002

[15] 18-06-2020

[30] 19-12-2019 / EU / 007432349

[51] Cl. 28-03

[54] 風筒

Hair dryer

[73] Koninklijke Philips N.V.

High Tech Campus 52,

5656 AG Eindhoven,

Netherlands

[74] WILKINSON & GRIST

6th Floor, Prince's Building,

Chater Road,

Hong Kong



- [11] 2016349.1M003
[15] 18-06-2020
[30] 19-12-2019 / EU / 007432349
[51] Cl. 28-03
[54] 風筒附件
Attachment for hair dryer
[73] Koninklijke Philips N.V.
High Tech Campus 52,
5656 AG Eindhoven,
Netherlands
[74] WILKINSON & GRIST
6th Floor, Prince's Building,
Chater Road,
Hong Kong



-
- [11] 2016354.1
[15] 18-06-2020
[30] 23-12-2019 / EU / 007448071-0001
[51] Cl. 3-01
[54] 用於手袋、錢包、皮夾、鑰匙圈及手機套的裝飾
Ornamentation for bags, purses, wallets, key holders and
mobile phone case
[73] Fendi S.r.l.
Palazzo della Civiltà Italiana,
Quadrato della Concordia 3, 00144 Roma,
Italy
[74] WOO KWAN LEE & LO
Room 2801, Sun Hung Kai Centre,
30 Harbour Road,
Wanchai, Hong Kong



[11] 2016359.2

[15] 18-06-2020

[30] 19-01-2020 / CN / 202030039208.0

[51] Cl. 23-08

[54] 洗手液機

Soap dispenser

[73] 威萊(香港)有限公司

WHEALTHFIELDS (HONG KONG) LIMITED

香港新界

沙田安耀街 3 號

匯達大廈 2606-10

[74] 精英知識產權服務有限公司

香港九龍

彌敦道 695 號

永如大廈 12 字樓



[11] 2016362.8M001

[15] 18-06-2020

[51] Cl. 16-06

[54] 太陽眼鏡

Sunglasses

[73] CHRISTIAN DIOR COUTURE

30 Avenue Montaigne,

75008 Paris,

France

[74] WILKINSON & GRIST

6th Floor, Prince's Building,

Chater Road,

Hong Kong



[11] 2016362.8M002

[15] 18-06-2020

[51] Cl. 16-06

[54] 太陽眼鏡

Sunglasses

[73] CHRISTIAN DIOR COUTURE

30 Avenue Montaigne,

75008 Paris,

France

[74] WILKINSON & GRIST

6th Floor, Prince's Building,

Chater Road,

Hong Kong



[11] 2016364.2

[15] 18-06-2020

[51] Cl. 26-05

[54] 微型活動燈具

Micro activities lamp

[73] 俊光科技有限公司

PRO-LIGHT TECHNOLOGY LIMITED

香港九龍

觀塘開源道 72 號

溢財中心 2 樓 A1 室

[74] 天標知識產權代理有限公司

香港九龍

尖沙咀加連威老道 14 號

加連威大廈 4 樓 A 座



[11] 2016366.7

[15] 18-06-2020

[30] 06-01-2020 / CN / 202030006111.X

[51] Cl. 14-03

[54] 手機

Mobile phone

[73] 北京小米移動軟件有限公司

BEIJING XIAOMI MOBILE SOFTWARE CO., LTD.

中國內地

北京市海澱區西二旗中路 33 號院

6 號樓 8 層 018 號

[74] 香港派特恩知識產權代理有限公司

香港上環

永樂街 121-125 號

永達商業大廈 10 樓 C 室



[11] 2016367.9

[15] 19-06-2020

[30] 19-12-2019 / US / 29/717,776

[51] Cl. 24-01

[54] 定序儀器

Sequencing instrument

[73] ILLUMINA, INC.

5200 Illumina Way,

San Diego, CA 92122,

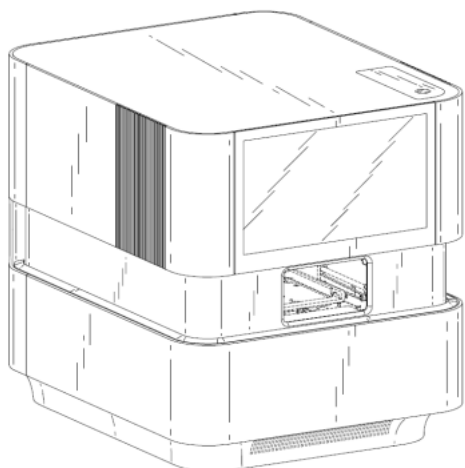
United States

[74] WILKINSON & GRIST

6th Floor, Prince's Building,

Chater Road,

Hong Kong



[11] 2016368.1M001

[15] 19-06-2020

[30] 19-12-2019 / US / 29/717,774

[51] Cl. 24-01

[54] 定序儀器

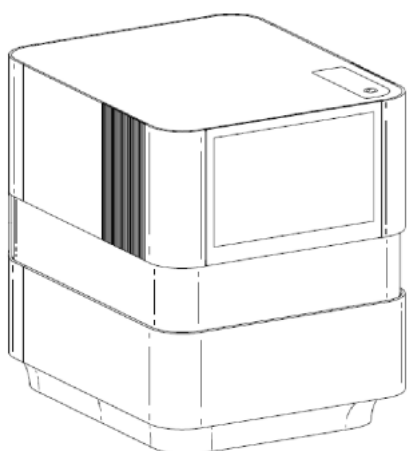
Sequencing instrument

[73] ILLUMINA, INC.

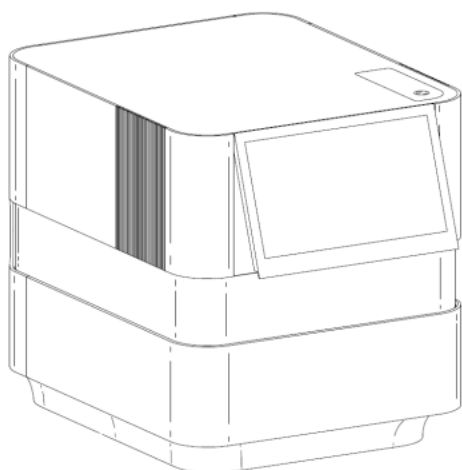
5200 Illumina Way,
San Diego, CA 92122,
United States

[74] WILKINSON & GRIST

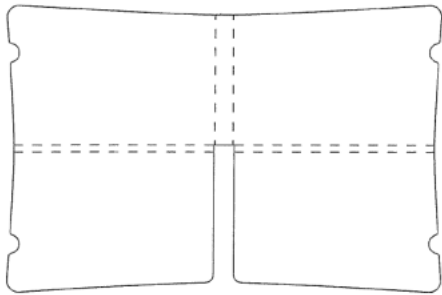
6th Floor, Prince's Building,
Chater Road,
Hong Kong



- [11] 2016368.1M002
[15] 19-06-2020
[30] 19-12-2019 / US / 29/717,774
[51] Cl. 24-01
[54] 定序儀器
Sequencing instrument
[73] ILLUMINA, INC.
5200 Illumina Way,
San Diego, CA 92122,
United States
[74] WILKINSON & GRIST
6th Floor, Prince's Building,
Chater Road,
Hong Kong



-
- [11] 2016369.3
[15] 19-06-2020
[51] Cl. 3-01
[54] 可摺疊口罩儲存夾
Foldable surgical mask holder
[73] Katerly Industrial Co. Ltd.
Unit 4001, 40/F One Midtown
11 Hoi Shing Road, Tsuen Wan
Hong Kong
[74] Katerly Industrial Co. Ltd.
Unit 4001, 40/F One Midtown
11 Hoi Shing Road, Tsuen Wan
Hong Kong



[11] 2016376.8

[15] 19-06-2020

[51] Cl. 9-03

[54] 包裝盒

Packaging box

[73] 廣州市康立明生物科技有限責任公司

CREATIVE BIOSCIENCES (GUANGZHOU) CO., LTD.

中國內地

廣東省廣州市

廣州高新技術產業開發區

科學城開源大道 11 號 A2 棟第六層

[74] WAN HUI DA (ASIA PACIFIC) CONSULTING LIMITED

香港灣仔

港灣道 18 號

中環廣場 1903 室



[11] 2016377.0

[15] 19-06-2020

[30] 06-01-2020 / CN / 202030005866.8

[51] Cl. 14-01

[54] 藍牙音箱

Bluetooth speaker box

[73] 深圳市雲動創想科技有限公司

中國內地

廣東省深圳市南山區

粵海街道科技園科技路 9 號

螞蟻邦創業加速中心 616 單元

[74] HK STANDARD INTELLECTUAL PROPERTY LIMITED

香港中環

干諾道中 64 號

中華廠商會大廈 21 樓



[11] 2016378.2M001

[15] 19-06-2020

[51] Cl. 2-07

[54] 拉鏈拉頭

Slider for slide fastener

[73] TREASURE WAY INDUSTRIAL LIMITED

Flat E 1, 8/F, Block E,

Tsing Yi Industrial Centre Phase 2,

1-33 Cheung Tat Road, Tsing Yi, N.T.,

Hong Kong

[74] HONG KONG INTELLECTUAL PROPERTY AGENT LIMITED

Unit 230, 2/F, Building 12W,

No. 12 Science Park West Avenue,

Phase 3, Hong Kong Science Park,

Pak Shek Kok, N.T., Hong Kong



[11] 2016378.2M002

[15] 19-06-2020

[51] Cl. 2-07

[54] 拉鏈拉頭

Slider for slide fastener

[73] TREASURE WAY INDUSTRIAL LIMITED

Flat E 1, 8/F, Block E,

Tsing Yi Industrial Centre Phase 2,

1-33 Cheung Tat Road, Tsing Yi, N.T,

Hong Kong

[74] HONG KONG INTELLECTUAL PROPERTY AGENT LIMITED

Unit 230, 2/F, Building 12W,

No. 12 Science Park West Avenue,

Phase 3, Hong Kong Science Park,

Pak Shek Kok, N.T., Hong Kong



[11] 2016380.6

[15] 22-06-2020

[30] 24-04-2020 / CN / 202030173084.5

[51] Cl. 14-03

[54] 手機

Mobile phone

[73] 維沃移動通信有限公司
VIVO MOBILE COMMUNICATION CO.,LTD.
中國內地
廣東省東莞市長安鎮
烏沙步步高大道 283 號

[74] 中國專利代理（香港）有限公司
香港灣仔
港灣道 23 號
鷹君中心 22 字樓



[11] 2016384.4

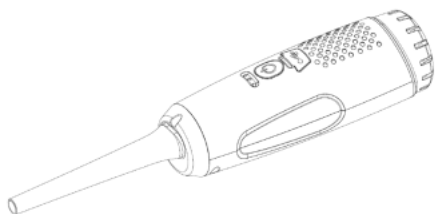
[15] 22-06-2020

[51] Cl. 15-05

[54] 空氣吹塵連吸塵器
Air duster with vacuum cleaner

[73] 世錦實業有限公司
Saicome Industries Limited
Rm 03-04, 10/F., Kwai Wu Industrial Building,
85-89 Ta Chuen Ping Street,
Kwai Chung, New Territories, Hong Kong

[74] BKIP Limited
1/F,
169 Gloucester Road,
Wanchai, Hong Kong



[11] 2016386.9

[15] 23-06-2020

[51] Cl. 9-01

[54] 化妝品用瓶

Bottle for cosmetics

[73] Shiseido Company, Limited

5-5, Ginza 7-chome,

Chuo-ku, Tokyo 104-0061,

Japan

[74] MARKS & CLERK

Level 9, Cyberport 1,

100 Cyberport Road,

Pok Fu Lam, Hong Kong



[11] 2016388.3

[15] 23-06-2020

[51] Cl. 9-05

[54] 包裝用袋

Packaging bag

[73] KRACIE HOME PRODUCTS, LTD.

20-20, Kaigan 3-chome,

Minato-ku, Tokyo 108-0022,

Japan

[74] UNION PATENT SERVICE CENTRE

Units E-F, 20th Floor, Neich Tower,

128 Gloucester Road,

Hong Kong



[11] 2016389.5

[15] 23-06-2020

[51] Cl. 9-05

[54] 包裝用袋
Packaging bag

[73] KRACIE HOME PRODUCTS, LTD.
20-20, Kaigan 3-chome,
Minato-ku, Tokyo 108-0022,
Japan

[74] UNION PATENT SERVICE CENTRE
Units E-F, 20th Floor, Neich Tower,
128 Gloucester Road,
Hong Kong



[11] 2016390.7

[15] 23-06-2020

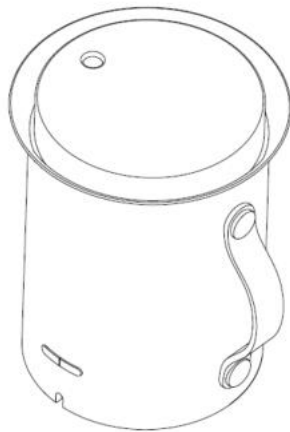
[51] Cl. 11-03

[54] 獎座
Medal

- [73] 國鑫獎品及禮品有限公司
KK TROPHY & GIFTS COMPANY LIMITED
Flat D, 16/F, Block 7, Richland Gardens,
80 Wang Kwong Rd,
Kowloon Bay, Kln, Hong Kong
- [74] CONPAK INTELLECTUAL PROPERTY LIMITED
Rooms 05-15, 13A/F, South Tower,
World Finance Centre, Harbour City,
17 Canton Road, Tsim Sha Tsui, Kowloon,
Hong Kong



-
- [11] 2016392.1
- [15] 23-06-2020
- [51] Cl. 23-04
- [54] 香薰機
Aroma diffuser
- [73] 盛開蓮花有限公司
Bloomy Lotus Ltd
Unit 4711, 47/F., The Center,
99 Queen's Road Central,
Central, Hong Kong
- [74] FEDERATION OF HONG KONG INDUSTRIES
31/F, Billion Plaza,
8 Cheung Yue Street,
Cheung Sha Wan, Kowloon,
Hong Kong



[11] 2016393.3M001

[15] 23-06-2020

[30] 14-05-2020 / CN / 202030219783.9

[51] C1. 13-02

[54] 移動電源

Portable power supply

[73] 廣東高普達集團股份有限公司

GUANGDONG GOPOD GROUP HOLDING CO., LTD.

中國內地

廣東省深圳市龍華新區大浪街道同勝社區華榮路

聯建科技工業園廠房 8 棟 4, 5, 6 樓

[74] 中一聯合國際知識產權有限公司

香港九龍

尖沙咀漆咸道南 45-51 號

其士大廈 803 室



- [11] 2016393.3M002
[15] 23-06-2020
[30] 14-05-2020 / CN / 202030219783.9
[51] Cl. 13-02
[54] 移動電源
Portable power supply
[73] 廣東高普達集團股份有限公司
GUANGDONG GOPOD GROUP HOLDING CO., LTD.
中國內地
廣東省深圳市龍華新區大浪街道同勝社區華榮路
聯建科技工業園廠房 8 棟 4,5,6 樓
[74] 中一聯合國際知識產權有限公司
香港九龍
尖沙咀漆咸道南 45-51 號
其士大廈 803 室



-
- [11] 2016394.5M001
[15] 23-06-2020
[51] Cl. 29-02
[54] 面罩
Face mask
[73] Multi Crystal International Limited
Block A-H, 11/F, Ka Ming Court Building,
690 Castle Peak Road,
Kowloon, Hong Kong

HO, Dorian
12/F, Block A, Prince Industrial Building,
106 King Fuk Street,
San Po Kong, Kowloon, Hong Kong

- [74] SIT, FUNG, KWONG & SHUM
9th Floor, York House, The Landmark,
15 Queen's Road Central,
Hong Kong



[11] 2016394.5M002

[15] 23-06-2020

[51] Cl. 29-02

[54] 面罩

Face mask

- [73] Multi Crystal International Limited
Block A-H, 11/F, Ka Ming Court Building,
690 Castle Peak Road,
Kowloon, Hong Kong

HO, Dorian

12/F, Block A, Prince Industrial Building,
106 King Fuk Street,
San Po Kong, Kowloon, Hong Kong

- [74] SIT, FUNG, KWONG & SHUM
9th Floor, York House, The Landmark,
15 Queen's Road Central,
Hong Kong



[11] 2016394.5M003

[15] 23-06-2020

[51] Cl. 29-02

[54] 面罩

Face mask

[73] Multi Crystal International Limited

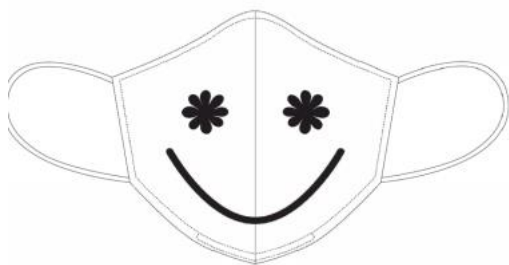
Block A-H, 11/F, Ka Ming Court Building,
690 Castle Peak Road,
Kowloon, Hong Kong

HO, Dorian

12/F, Block A, Prince Industrial Building,
106 King Fuk Street,
San Po Kong, Kowloon, Hong Kong

[74] SIT, FUNG, KWONG & SHUM

9th Floor, York House, The Landmark,
15 Queen's Road Central,
Hong Kong



[11] 2016395.8

[15] 23-06-2020

[51] Cl. 29-02

[54] 面罩

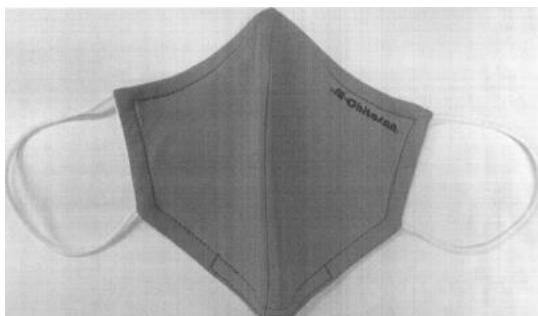
Face mask

[73] Multi Crystal International Limited

Block A-H, 11/F, Ka Ming Court Building,
690 Castle Peak Road,
Kowloon, Hong Kong

[74] SIT, FUNG, KWONG & SHUM

9th Floor, York House, The Landmark,
15 Queen's Road Central,
Hong Kong



[11] 2016396.0

[15] 24-06-2020

[51] Cl. 7-02

[54] 小吃造型用托盤

Tray for snack molding

[73] KRACIE FOODS, LTD.

20-20, Kaigan 3-chome,
Minato-ku, Tokyo 108-8080,
Japan

[74] UNION PATENT SERVICE CENTRE

Units E-F, 20th Floor, Neich Tower,
128 Gloucester Road,
Hong Kong



[11] 2016397.2

[15] 24-06-2020

[30] 19-01-2020 / CN / 202030039209.5

[51] Cl. 9-01

[54] 洗手液包裝瓶

Liquid soap packaging bottle

[73] 威萊(香港)有限公司

WHEALTHFIELDS (HONG KONG) LIMITED
香港新界

沙田安耀街 3 號
匯達大廈 2606-10

- [74] 精英知識產權服務有限公司
香港九龍
彌敦道 695 號
永如大廈 12 字樓



[11] 2016399.6M001

[15] 24-06-2020

[30] 30-01-2020 / CA, AM, AZ, BZ, BA, GE, LI, MK, MD, MC, MN, ME,
NO, OM, SG, CH, TN, TR, UA, GB, EU, AL, KG / DM/205 917

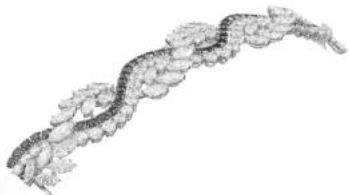
[51] Cl. 11-01

[54] 手鏈

Bracelet

[73] Harry Winston SA
Chemin du Tourbillon 8,
CH-1228 Plan-les-Ouates,
Switzerland

[74] SPRUSON & FERGUSON (HONG KONG) LIMITED
5001 Hopewell Centre,
183 Queen's Road East,
Wan Chai, Hong Kong



- [11] 2016399.6M002
[15] 24-06-2020
[30] 30-01-2020 / CA, AM, AZ, BZ, BA, GE, LI, MK, MD, MC, MN, ME,
NO, OM, SG, CH, TN, TR, UA, GB, EU, AL, KG / DM/205 917
[51] Cl. 11-01
[54] 戒指
Ring
[73] Harry Winston SA
Chemin du Tourbillon 8,
CH-1228 Plan-les-Ouates,
Switzerland
[74] SPRUSON & FERGUSON (HONG KONG) LIMITED
5001 Hopewell Centre,
183 Queen's Road East,
Wan Chai, Hong Kong



-
- [11] 2016399.6M003
[15] 24-06-2020
[30] 30-01-2020 / CA, AM, AZ, BZ, BA, GE, LI, MK, MD, MC, MN, ME,
NO, OM, SG, CH, TN, TR, UA, GB, EU, AL, KG / DM/205 917
[51] Cl. 11-01
[54] 戒指
Ring
[73] Harry Winston SA
Chemin du Tourbillon 8,
CH-1228 Plan-les-Ouates,
Switzerland
[74] SPRUSON & FERGUSON (HONG KONG) LIMITED
5001 Hopewell Centre,
183 Queen's Road East,
Wan Chai, Hong Kong



[11] 2016399.6M004

[15] 24-06-2020

[30] 30-01-2020 / CA, AM, AZ, BZ, BA, GE, LI, MK, MD, MC, MN, ME,
NO, OM, SG, CH, TN, TR, UA, GB, EU, AL, KG / DM/205 917

[51] Cl. 11-01

[54] 戒指
Ring

[73] Harry Winston SA
Chemin du Tourbillon 8,
CH-1228 Plan-les-Ouates,
Switzerland

[74] SPRUSON & FERGUSON (HONG KONG) LIMITED
5001 Hopewell Centre,
183 Queen's Road East,
Wan Chai, Hong Kong



[11] 2016399.6M005

[15] 24-06-2020

[30] 30-01-2020 / CA, AM, AZ, BZ, BA, GE, LI, MK, MD, MC, MN, ME,
NO, OM, SG, CH, TN, TR, UA, GB, EU, AL, KG / DM/205 917

[51] Cl. 11-01

[54] 戒指
Ring

[73] Harry Winston SA
Chemin du Tourbillon 8,
CH-1228 Plan-les-Ouates,
Switzerland

[74] SPRUSON & FERGUSON (HONG KONG) LIMITED
5001 Hopewell Centre,
183 Queen's Road East,
Wan Chai, Hong Kong



[11] 2016399.6M006

[15] 24-06-2020

[30] 30-01-2020 / CA, AM, AZ, BZ, BA, GE, LI, MK, MD, MC, MN, ME,
NO, OM, SG, CH, TN, TR, UA, GB, EU, AL, KG / DM/205 917

[51] Cl. 11-01

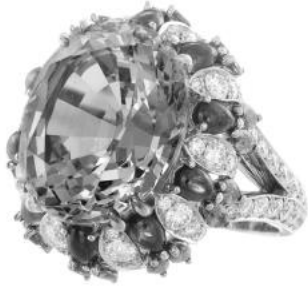
[54] 耳環
Earring

[73] Harry Winston SA
Chemin du Tourbillon 8,
CH-1228 Plan-les-Ouates,
Switzerland

[74] SPRUSON & FERGUSON (HONG KONG) LIMITED
5001 Hopewell Centre,
183 Queen's Road East,
Wan Chai, Hong Kong



- [11] 2016399.6M007
[15] 24-06-2020
[30] 30-01-2020 / CA, AM, AZ, BZ, BA, GE, LI, MK, MD, MC, MN, ME,
NO, OM, SG, CH, TN, TR, UA, GB, EU, AL, KG / DM/205 917
[51] Cl. 11-01
[54] 戒指
Ring
[73] Harry Winston SA
Chemin du Tourbillon 8,
CH-1228 Plan-les-Ouates,
Switzerland
[74] SPRUSON & FERGUSON (HONG KONG) LIMITED
5001 Hopewell Centre,
183 Queen's Road East,
Wan Chai, Hong Kong



-
- [11] 2016400.0
[15] 24-06-2020
[51] Cl. 26-02
[54] 工作燈
Work light
[73] 飛龍發展有限公司
FLYING DRAGON DEVELOPMENT LIMITED
Unit B, 6/F., Unison Industrial Centre,
27-31 Au Pui Wan Street,
Fotan, Shatin, N.T., Hong Kong
[74] BENNY KONG & TSAI
Unit 19B, Overseas Trust Bank Building,
No. 160 Gloucester Road,
Wanchai, Hong Kong



[11] 2016403.6

[15] 24-06-2020

[51] Cl. 29-01

[54] 無框防火玻璃門

Frameless fire resisting glass door

[73] 保達方案有限公司

PYROTECH SOLUTIONS LIMITED

香港九龍

荔枝角青山道 485 號

九龍廣場 7 樓 702 室

[74] 天標知識產權代理有限公司

香港九龍

尖沙咀加連威老道 14 號

加連威大廈 4 樓 A 座



[11] 2016404.8M001

[15] 24-06-2020

[51] Cl. 13-02

[54] 電源適配器

Power supply adapter

[73] 廣東高普達集團股份有限公司

GUANGDONG GOPOD GROUP HOLDING CO., LTD.

中國內地

廣東省深圳市龍華新區大浪街道同勝社區華榮路

聯建科技工業園廠房 8 棟 4,5,6 樓

[74] 中一聯合國際知識產權有限公司

香港九龍

尖沙咀漆咸道南 45-51 號

其士大廈 803 室



[11] 2016404.8M002

[15] 24-06-2020

[51] Cl. 13-02

[54] 電源適配器

Power supply adapter

[73] 廣東高普達集團股份有限公司

GUANGDONG GOPOD GROUP HOLDING CO., LTD.

中國內地

廣東省深圳市龍華新區大浪街道同勝社區華榮路

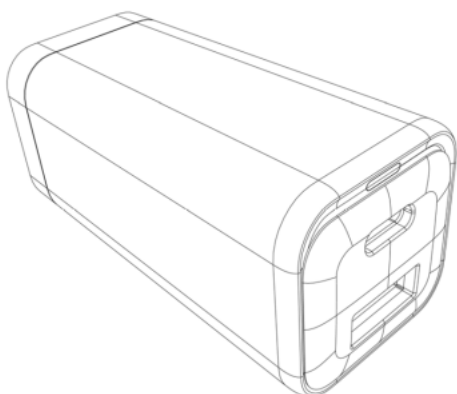
聯建科技工業園廠房 8 棟 4,5,6 樓

[74] 中一聯合國際知識產權有限公司

香港九龍

尖沙咀漆咸道南 45-51 號

其士大廈 803 室



[11] 2016405.1

[15] 24-06-2020

[30] 24-12-2019 / JP / 028652 of 2019

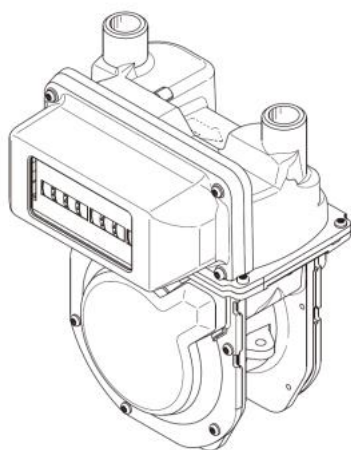
[51] Cl. 10-04

[54] 氣量計

Gas meter

[73] Yazaki Energy System Corporation
4-28, Mita 1-chome,
Minato-ku, Tokyo 108-8333,
Japan

[74] EMILY YIP & CO LIMITED
1st Floor, Kingsfield Centre,
18 Shell Street, Fortress Hill,
Hong Kong





香港特別行政區政府知識產權署外觀設計註冊處

The Government of the Hong Kong Special Administrative Region

Designs Registry, Intellectual Property Department

根據註冊外觀設計條例第 28 條，下列註冊外觀設計因未繳續期費而停止有效。

各組記項按註冊外觀設計停止有效日期及註冊編號先後次序排列。

Registered designs ceased through non-payment of renewal fees under section 28 of the Registered Designs Ordinance. Entries are listed below under their expiry dates.

16-07-2020 - 22-07-2020

16-07-2020	1501566.8	1501575.7
1501548.0	1501567.0M001	1501578.3
1501549.2	1501567.0M002	1501581.9
1501550.4	1501567.0M003	1501582.1
1501551.6	1501567.0M004	1501583.3
1501556.7M001	1501567.0M005	1501584.5
1501556.7M002	1501567.0M006	1501585.8
1501556.7M003	1501567.0M007	1501586.0
1501556.7M004	1501567.0M008	1501587.2
1501558.1M001	1501571.8	1501589.6
1501558.1M002	1501573.2M001	
1501558.1M003	1501573.2M002	21-07-2020
	1501573.2M003	1001332.6M003
17-07-2020	1501573.2M004	1501593.4
0501685.8	1501573.2M005	1501594.6M001
0501686.0	1501573.2M006	1501594.6M002
0501693.4	1501573.2M007	1501594.6M003
0501695.9	1501573.2M008	1501594.6M004
	1501573.2M009	1501594.6M005
18-07-2020	1501573.2M010	1501595.9
1001309.8	1501573.2M011	1501600.1M001
	1501573.2M012	1501600.1M002
19-07-2020	1501573.2M013	1501600.1M003
1001313.6	1501573.2M014	1501600.1M004
1001315.1M001	1501573.2M015	1501600.1M005
1001317.5	1501573.2M016	1501600.1M006
1001318.7	1501573.2M017	1501600.1M007
1001322.5M001	1501573.2M018	1501604.9M001
1001322.5M002	1501574.4M001	1501604.9M002
1001322.5M003	1501574.4M003	1501604.9M003
1001322.5M004	1502694.9M001	1501604.9M004
1001322.5M005	1502694.9M002	1501605.2M001
1501559.3		1501605.2M002
1501560.5	20-07-2020	1501605.2M003

1501605.2M004

1501611.4M001

1501611.4M002

1501611.4M003

22-07-2020

0501733.0M001

0501733.0M002

1001345.4M001

1001346.6

1001355.5

1001356.7

1501618.9

1501619.1



香港特別行政區政府知識產權署外觀設計註冊處

The Government of the Hong Kong Special Administrative Region

Designs Registry, Intellectual Property Department

根據註冊外觀設計規則第 31 條刪除的註冊外觀設計。各組記項按註冊外觀設計刪除日期及註冊編號先後次序排列。

Registered designs removed under section 31 of the Registered Designs Rules. Entries are listed below under their removal dates.

05-09-2020 - 10-09-2020

05-09-2020	1500145.4M002	1500171.8
1000085.1	1500151.6	1500172.0
1000090.1	1500152.8	1500173.2
1000093.7M001	1500154.2M001	1500174.4M001
1000093.7M002	1500154.2M002	1500174.4M002
		1500175.7M001
06-09-2020	08-09-2020	1500175.7M002
0500129.8	1000129.5M001	1500176.9M001
1000095.2	1000129.5M002	1500176.9M002
1000096.4M006	1000131.9	1500177.1
1000096.4M007	1000133.3	
1000096.4M009	1000135.8M003	10-09-2020
1000096.4M010	1000135.8M004	1500189.6
1500137.7M001	1000135.8M005	
1500137.7M002	1000135.8M006	
1500137.7M003	1500155.5M001	
1500137.7M004	1500155.5M002	
1500142.7	1500155.5M003	
	1500155.5M004	
07-09-2020	1500155.5M005	
0500140.1M002	1500155.5M006	
0500141.3M001	1500155.5M007	
0500141.3M002	1500160.5	
0500141.3M003		
0500141.3M004	09-09-2020	
0500141.3M005	1000139.6	
0500143.7M001	1000142.2	
0500143.7M002	1000146.1	
0500143.7M003	1000147.3M001	
0500143.7M004	1000147.3M002	
0500143.7M005	1500167.0	
1000119.4	1500168.2	
1000125.7	1500170.6M001	
1500145.4M001	1500170.6M002	



香港特別行政區政府知識產權署外觀設計註冊處
The Government of the Hong Kong Special Administrative Region
Designs Registry, Intellectual Property Department

勘誤

CORRIGENDUM

已在官方公報刊登的外觀設計公告內的物品更正如下：

The following show the corrected article previously published in the official journal:

官方公報日期 Official journal date 03.07.2020

[11] 1914714.1M001

[54] 耳機 Earphones

[11] 1914714.1M002

[54] 耳機 Earphones

[11] 1914714.1M003

[54] 耳機 Earphones

[11] 1914714.1M004

[54] 耳機 Earphones



香港特別行政區政府知識產權署外觀設計註冊處
The Government of the Hong Kong Special Administrative Region
Designs Registry, Intellectual Property Department

勘誤

CORRIGENDUM

已在官方公報刊登的外觀設計公告內的表述更正如下：

The following show the corrected representations of the designs in advertisement previously published in the official journal:

官方公報日期 Official journal date 28.08.2020

[11] 2015969.5

[55] 外觀設計的表述 Representation of the Design

