

香港知識產權公報

Hong Kong Intellectual Property Journal

2021年2月26日
26 February 2021

目錄 Contents

根據註冊外觀設計條例第 25 條註冊的外觀設計

Designs Registered under section 25 of the Registered Designs Ordinance

按註冊編號排列

Arranged by Registration Number

根據註冊外觀設計條例(第 522 章)公布的其他公告

Other Notices Published under the Registered Designs Ordinance (Cap. 522)

根據註冊外觀設計條例第 28 條，註冊外觀設計因未繳續期費而停止有效

Registered designs ceased through non-payment of renewal fees under section 28 of the Registered Designs Ordinance

根據註冊外觀設計規則第 31 條刪除的註冊外觀設計

Registered designs removed under section 31 of the Registered Designs Rules

以下事項沒有記錄

No Records for the Following Matters

根據註冊外觀設計條例第 30 條放棄的外觀設計的註冊

Surrender of Registration of Design under section 30 of the Registered Designs Ordinance

根據註冊外觀設計規則第 37 條，向處長作出轉介

Reference to Registrar under section 37 of the Registered Designs Rules

根據註冊外觀設計條例第 45 條，撤銷註冊

Revocation of Registration under section 45 of the Registered Designs Ordinance

根據註冊外觀設計規則第 46 條，向法院作出轉介

Reference to Court under section 46 of the Registered Designs Rules

根據註冊外觀設計規則第 63 條對不符合規定之處作出糾正

Rectification of Irregularities under section 63 of the Registered Designs Rules

根據註冊外觀設計條例第 66 條，糾正註冊紀錄冊

Rectification of Register under section 66 of the Registered Designs Ordinance

根據註冊外觀設計條例第 67 條 更正註冊紀錄冊內的錯誤

Correction of errors in Register under section 67 of the Registered Designs Ordinance

根據註冊外觀設計條例第 67 及 76 條，更正註冊紀錄冊內及已提交文件中的錯誤

Correction of Errors in Register and in Filed Documents under sections 67 and 76 of the Registered Designs Ordinance

根據註冊外觀設計條例第 76 條，更正已提交文件中的錯誤

Correction of errors in filed documents under section 76 of the Registered Designs Ordinance

勘誤

Corrigendum

註冊外觀設計公告註釋

Notes on advertisements of registration of designs

方括號表示下列資料：

Square brackets indicate the following data：

[11] 註冊編號 Registration number / 聯合王國註冊編號 United Kingdom registration number

[15] 註冊日期 Registration date / 當作註冊日期 Deemed registration date / 聯合王國註冊日期 United Kingdom registration date

[17] 註冊有效期屆滿日期 Expiry date of the period of registration

[22] 提交日期 Filing date / 當作提交日期 Deemed filing date / 聯合王國提交日期 United Kingdom filing date

[30] 聲稱享有的優先權（提交日期 / 巴黎公約國或世界貿易組織成員 / 申請編號） Priority claimed (filing date / Paris Convention country or WTO member / application number)

[51] 國際外觀設計分類號（洛迦諾分類號） International Classification of designs (Locarno Classification)

[54] 物品 Article

[55] 外觀設計的表述 Representation of the design

[62] 分開前的申請編號及提交日期 Application number before division and filing date

[66] 過往註冊的聯繫外觀設計註冊編號 / 日期 Registration No. / Date of Previous Registration for Association

[72] 設計人 Designer

[73] 擁有人姓名和地址 Name and address of the owner

[74] 代理人 Agent / 送達地址 Address for service



香港特別行政區政府知識產權署外觀設計註冊處

The Government of the Hong Kong Special Administrative Region

Designs Registry, Intellectual Property Department

根據註冊外觀設計條例第 25 條註冊的外觀設計

Designs registered under section 25 of the Registered Designs Ordinance

按註冊編號排列

Arranged by Registration Number

[11] 1914318.1M001

[15] 25-07-2019

[30] 25-01-2019 / US / 29/678,070

[51] Cl. 28-03

[54] 皮膚按摩器

Skin massager

[73] Filip Sedic

Room 1711-1720

75 South Wanping Road, Shanghai 200032

CHINA

[74] UNITALEN ATTORNEYS AT LAW LIMITED

RM 1201, 12/F,

GOLDEN ERA PLAZA,

39-55 SAI YEE ST, MONGKOK KLN

HONG KONG



[11] 1914318.1M002

[15] 25-07-2019

[30] 25-01-2019 / US / 29/678,070

[51] Cl. 28-03

[54] 皮膚按摩器
Skin massager

[73] Filip Sedic
Room 1711-1720
75 South Wanping Road, Shanghai 200032
CHINA

[74] UNITALEN ATTORNEYS AT LAW LIMITED
RM 1201, 12/F,
GOLDEN ERA PLAZA,
39-55 SAI YEE ST, MONGKOK KLN
HONG KONG



[11] 1914318.1M003

[15] 25-07-2019

[30] 25-01-2019 / US / 29/678,070

[51] Cl. 28-03

[54] 皮膚按摩器
Skin massager

[73] Filip Sedic
Room 1711-1720
75 South Wanping Road, Shanghai 200032
CHINA

[74] UNITALEN ATTORNEYS AT LAW LIMITED
RM 1201, 12/F,
GOLDEN ERA PLAZA,
39-55 SAI YEE ST, MONGKOK KLN
HONG KONG



[11] 1914318.1M004

[15] 25-07-2019

[30] 25-01-2019 / US / 29/678,070

[51] Cl. 28-03

[54] 皮膚按摩器

Skin massager

[73] Filip Sedic

Room 1711-1720

75 South Wanping Road, Shanghai 200032

CHINA

[74] UNITALEN ATTORNEYS AT LAW LIMITED

RM 1201, 12/F,

GOLDEN ERA PLAZA,

39-55 SAI YEE ST, MONGKOK KLN

HONG KONG



[11] 2016787.0

[15] 07-09-2020

[51] Cl. 25-01

[54] 金屬製盲導標示

Metal tactile marker

[73] 加藍誘導標示有限公司

香港北角

英皇道 89 號

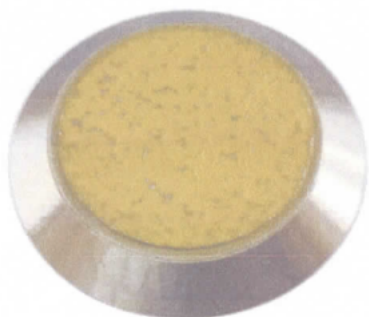
桂洪集團中心 2802 室

[74] 加藍誘導標示有限公司

香港北角

英皇道 89 號

桂洪集團中心 2802 室



[11] 2016829.0

[15] 16-09-2020

[30] 16-04-2020 / DE / 40 2020 100 368.9

[51] Cl. 21-01

[54] 玩具車

Toy vehicle

[73] VOLKSWAGEN AKTIENGESELLSCHAFT

Berliner Ring 2,

38440 Wolfsburg,

Germany

[74] CHINA PATENT AGENT (HONG KONG) LIMITED

22/F, Great Eagle Centre,

23 Harbour Road,

Wanchai, Hong Kong



-
- [11] 2016830.2
[15] 16-09-2020
[30] 16-04-2020 / DE / 40 2020 100 368.9
[51] Cl. 12-08
[54] 汽車
Motor vehicle
[73] VOLKSWAGEN AKTIENGESELLSCHAFT
Berliner Ring 2,
38440 Wolfsburg,
Germany
[74] CHINA PATENT AGENT (HONG KONG) LIMITED
22/F, Great Eagle Centre,
23 Harbour Road,
Wanchai, Hong Kong



-
- [11] 2016853.0
[15] 22-09-2020
[30] 28-04-2020 / DE / 40 2020 100 403.0
[51] Cl. 21-01
[54] 玩具車
Toy vehicle
[73] VOLKSWAGEN AKTIENGESELLSCHAFT
Berliner Ring 2,
38440 Wolfsburg,
Germany

[74] CHINA PATENT AGENT (HONG KONG) LIMITED
22/F, Great Eagle Centre,
23 Harbour Road,
Wanchai, Hong Kong



[11] 2016854.2

[15] 22-09-2020

[30] 28-04-2020 / DE / 40 2020 100 403.0

[51] Cl. 12-08

[54] 汽車
Motor vehicle

[73] VOLKSWAGEN AKTIENGESELLSCHAFT
Berliner Ring 2,
38440 Wolfsburg,
Germany

[74] CHINA PATENT AGENT (HONG KONG) LIMITED
22/F, Great Eagle Centre,
23 Harbour Road,
Wanchai, Hong Kong



[11] 2016863.1

[15] 23-09-2020

[30] 28-04-2020 / DE / 40 2020 100 404.9

[51] Cl. 21-01

[54] 玩具車
Toy vehicle

[73] VOLKSWAGEN AKTIENGESELLSCHAFT
Berliner Ring 2,
38440 Wolfsburg,
Germany

[74] CHINA PATENT AGENT (HONG KONG) LIMITED
22/F, Great Eagle Centre,
23 Harbour Road,
Wanchai, Hong Kong



[11] 2016864.3

[15] 23-09-2020

[30] 28-04-2020 / DE / 40 2020 100 404.9

[51] Cl. 12-08

[54] 汽車

Motor vehicle

[73] VOLKSWAGEN AKTIENGESELLSCHAFT
Berliner Ring 2,
38440 Wolfsburg,
Germany

[74] CHINA PATENT AGENT (HONG KONG) LIMITED
22/F, Great Eagle Centre,
23 Harbour Road,
Wanchai, Hong Kong



[11] 2016878.3

[15] 25-09-2020

[30] 03-04-2020 / JP / 007074 of 2020

[51] Cl. 5-06

[54] 片材

Sheet material

[73] SONY INTERACTIVE ENTERTAINMENT INC.

1-7-1 Konan,

Minato-Ku, Tokyo 108-0075,

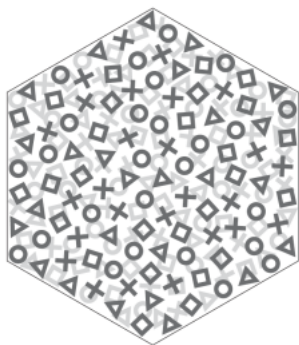
Japan

[74] CHINA PATENT AGENT (HONG KONG) LIMITED

22/F, Great Eagle Centre,

23 Harbour Road,

Wanchai, Hong Kong



[11] 2016879.5

[15] 25-09-2020

[30] 03-04-2020 / JP / 007075 of 2020

[51] Cl. 5-06

[54] 織物

Fabric

[73] SONY INTERACTIVE ENTERTAINMENT INC.

1-7-1 Konan,

Minato-ku, Tokyo,

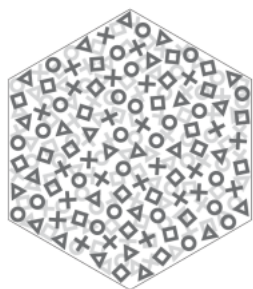
Japan

[74] CHINA PATENT AGENT (HONG KONG) LIMITED

22/F, Great Eagle Centre,

23 Harbour Road,

Wanchai, Hong Kong



[11] 2016889.6

[15] 28-09-2020

[51] Cl. 10-01

[54] 鐘連音箱

Clock with speaker

[73] 天時電子有限公司

Tints Development (H.K.) Ltd.

Unit 2208, 22/F., Peninsula Tower,

538 Castle Peak Road,

Cheung Sha Wan, Kln, Hong Kong

[74] Alvin Ho

Unit 2208, 22/F., Peninsula Tower,

538 Castle Peak Road,

Cheung Sha Wan, Kln, Hong Kong



[11] 2016908.8M001

[15] 30-09-2020

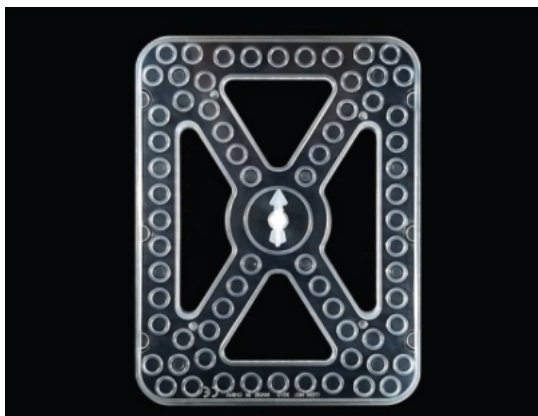
[30] 29-05-2020 / CN / 202030262412.9

[51] Cl. 21-01

[54] 玩具
Toy

[73] 東興企業有限公司
Eastward Enterprises Ltd.
香港九龍
九龍灣宏開道 15 號
九龍灣工業中心 9 樓 22 室

[74] 江炳滔律師事務所
香港灣仔
告士打道 160 號
海外信託銀行大廈 19 樓 B 室



[11] 2016908.8M002

[15] 30-09-2020

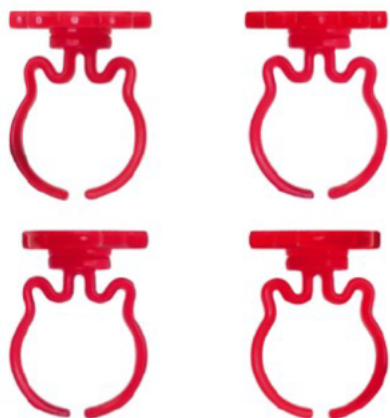
[30] 29-05-2020 / CN / 202030262417.1

[51] Cl. 21-01

[54] 玩具
Toy

[73] 東興企業有限公司
Eastward Enterprises Ltd.
香港九龍
九龍灣宏開道 15 號
九龍灣工業中心 9 樓 22 室

[74] 江炳滔律師事務所
香港灣仔
告士打道 160 號
海外信託銀行大廈 19 樓 B 室



[11] 2016908.8M003

[15] 30-09-2020

[30] 29-05-2020 / CN / 202030262411.4

[51] Cl. 21-01

[54] 玩具
Toy

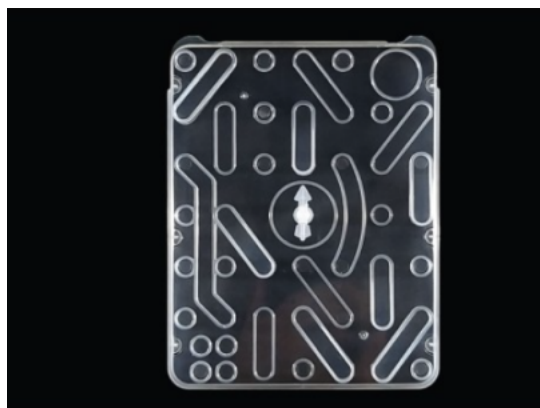
[73] 東興企業有限公司
Eastward Enterprises Ltd.
香港九龍
九龍灣宏開道 15 號
九龍灣工業中心 9 樓 22 室

[74] 江炳滔律師事務所
香港灣仔
告士打道 160 號
海外信託銀行大廈 19 樓 B 室



[11] 2016908.8M004

- [15] 30-09-2020
[30] 29-05-2020 / CN / 202030262416.7
[51] Cl. 21-01
[54] 玩具
Toy
[73] 東興企業有限公司
Eastward Enterprises Ltd.
香港九龍
九龍灣宏開道 15 號
九龍灣工業中心 9 樓 22 室
[74] 江炳滔律師事務所
香港灣仔
告士打道 160 號
海外信託銀行大廈 19 樓 B 室



-
- [11] 2016908.8M005
[15] 30-09-2020
[30] 29-05-2020 / CN / 202030263231.8
[51] Cl. 21-01
[54] 玩具
Toy
[73] 東興企業有限公司
Eastward Enterprises Ltd.
香港九龍
九龍灣宏開道 15 號
九龍灣工業中心 9 樓 22 室
[74] 江炳滔律師事務所
香港灣仔
告士打道 160 號
海外信託銀行大廈 19 樓 B 室



[11] 2016912.6

[15] 05-10-2020

[30] 05-05-2020 / DE / 40 2020 100 430.8

[51] Cl. 21-01

[54] 玩具車

Toy vehicle

[73] VOLKSWAGEN AKTIENGESELLSCHAFT

Berliner Ring 2,

38440 Wolfsburg,

Germany

[74] CHINA PATENT AGENT (HONG KONG) LIMITED

22/F, Great Eagle Centre,

23 Harbour Road,

Wanchai, Hong Kong



[11] 2016913.8

[15] 05-10-2020

[30] 05-06-2020 / DE / 40 2020 100 533.9

[51] Cl. 21-01

[54] 玩具車

Toy vehicle

[73] VOLKSWAGEN AKTIENGESELLSCHAFT
Berliner Ring 2,
38440 Wolfsburg,
Germany

[74] CHINA PATENT AGENT (HONG KONG) LIMITED
22/F, Great Eagle Centre,
23 Harbour Road,
Wanchai, Hong Kong



[11] 2016914.0

[15] 05-10-2020

[30] 05-06-2020 / DE / 40 2020 100 533.9

[51] Cl. 12-08

[54] 汽車

Motor vehicle

[73] VOLKSWAGEN AKTIENGESELLSCHAFT
Berliner Ring 2,
38440 Wolfsburg,
Germany

[74] CHINA PATENT AGENT (HONG KONG) LIMITED
22/F, Great Eagle Centre,
23 Harbour Road,
Wanchai, Hong Kong



[11] 2016915.3

[15] 05-10-2020

[30] 05-05-2020 / DE / 40 2020 100 430.8

[51] Cl. 12-08

[54] 汽車

Motor vehicle

[73] VOLKSWAGEN AKTIENGESELLSCHAFT

Berliner Ring 2,

38440 Wolfsburg,

Germany

[74] CHINA PATENT AGENT (HONG KONG) LIMITED

22/F, Great Eagle Centre,

23 Harbour Road,

Wanchai. Hong Kong



[11] 2016941.7

[15] 09-10-2020

[30] 05-06-2020 / DE / 40 2020 100 531.2

[51] Cl. 21-01

[54] 玩具車

Toy vehicle

[73] VOLKSWAGEN AKTIENGESELLSCHAFT

Berliner Ring 2,

38440 Wolfsburg,

Germany

[74] CHINA PATENT AGENT (HONG KONG) LIMITED

22/F, Great Eagle Centre,

23 Harbour Road,

Wanchai, Hong Kong



[11] 2016942.9

[15] 09-10-2020

[30] 05-06-2020 / DE / 40 2020 100 531.2

[51] Cl. 12-08

[54] 汽車

Motor vehicle

[73] VOLKSWAGEN AKTIENGESELLSCHAFT

Berliner Ring 2,

38440 Wolfsburg,

Germany

[74] CHINA PATENT AGENT (HONG KONG) LIMITED

22/F, Great Eagle Centre,

23 Harbour Road,

Wanchai, Hong Kong



[11] 2017009.2

[15] 28-10-2020

[30] 28-04-2020 / EU / 007839014-0004

[51] Cl. 7-01

[54] 用於飲用杯的蓋

A lid for drinking cups

[73] HUHTAMÄKI OYJ

Revontulenkujä 1,

Espoo 02100,

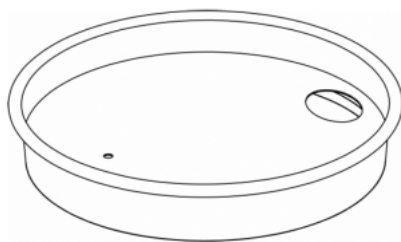
Finland

[74] CHINA PATENT AGENT (HONG KONG) LIMITED

22/F, Great Eagle Centre,

23 Harbour Road,

Wanchai, Hong Kong



[11] 2017011.6

[15] 28-10-2020

[30] 28-04-2020 / EU / 007839014-0011

[51] Cl. 7-01

[54] 用於飲品杯的蓋

A lid for drinking cups

[73] Huhtamäki Oyj

Revontulenkujä 1,

02100 Espoo,

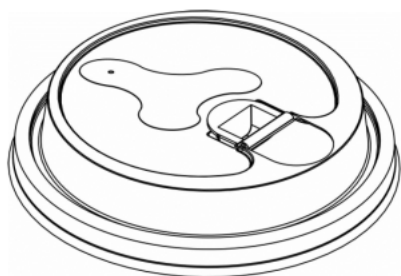
Finland

[74] CHINA PATENT AGENT (HONG KONG) LIMITED

22/F, Great Eagle Centre,

23 Harbour Road,

Wanchai, Hong Kong



[11] 2017021.7

[15] 29-10-2020

[51] Cl. 6-01

[54] 不銹鋼休閒椅

Stainless steel lounge chair

[73] 華偉國際實業有限公司

Wah Wai International Industrial Limited

Room J, 5/F, Kwun Tong Industrial Centre,

460-470 Kwun Tong Road,

Kwun Tong, Kowloon, Hong Kong

- [74] Wah Wai International Industrial Limited
Room J, 5/F, Kwun Tong Industrial Centre,
460-470 Kwun Tong Road,
Kwun Tong, Kowloon, Hong Kong



- [11] 2017057.3M001

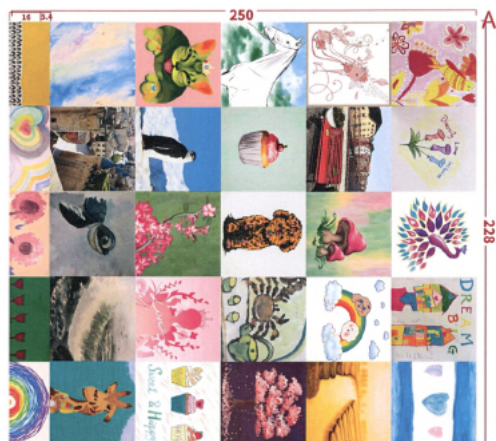
- [15] 12-11-2020

- [51] Cl. 5-05

- [54] 紡織品
Textile

- [73] 慧妍雅集
Wai Yin Association
Room B, 19/F, Sang Woo Bldg.,
227-228 Gloucester Road,
Causeway Bay, Hong Kong

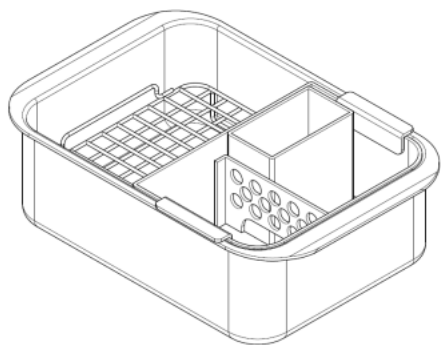
- [74] Wai Yin Association
Room B, 19/F, Sang Woo Bldg.,
227-228 Gloucester Road,
Causeway Bay, Hong Kong



- [11] 2017057.3M002
[15] 12-11-2020
[51] Cl. 5-05
[54] 紡織品
Textile
[73] 慧妍雅集
Wai Yin Association
Room B, 19/F, Sang Woo Bldg.,
227-228 Gloucester Road,
Causeway Bay, Hong Kong
[74] Wai Yin Association
Room B, 19/F, Sang Woo Bldg.,
227-228 Gloucester Road,
Causeway Bay, Hong Kong



- [11] 2017080.1
[15] 16-11-2020
[30] 12-10-2020 / TW / 109305660
[51] Cl. 7-02
[54] 鍋具
Cooking pot
[73] 統一超商股份有限公司
PRESIDENT CHAIN STORE CORP.
台灣
臺北市松山區
東興路 8 號 8 樓
[74] 宜知有限公司
香港上環
皇后大道西 23 號
天威中心 21 樓



[11] 2017089.0M001

[15] 17-11-2020

[51] Cl. 21-01

[54] 手偶

Hand puppet

[73] 香港家庭福利會

Hong Kong Family Welfare Society

香港灣仔

軒尼詩道 130 號

修頓中心 20 樓 2010 室

[74] 香港家庭福利會

香港新界屯門

蝴蝶邨蝶意樓

104-106 號地下



[11] 2017089.0M002

[15] 17-11-2020

[51] Cl. 21-01

- [54] 手偶
Hand puppet
- [73] 香港家庭福利會
Hong Kong Family Welfare Society
香港灣仔
軒尼詩道 130 號
修頓中心 20 樓 2010 室
- [74] 香港家庭福利會
香港新界屯門
蝴蝶邨蝶意樓
104-106 號地下



-
- [11] 2017089.0M003
- [15] 17-11-2020
- [51] Cl. 21-01
- [54] 手偶
Hand puppet
- [73] 香港家庭福利會
Hong Kong Family Welfare Society
香港灣仔
軒尼詩道 130 號
修頓中心 20 樓 2010 室
- [74] 香港家庭福利會
香港新界屯門
蝴蝶邨蝶意樓
104-106 號地下



[11] 2017089.0M004

[15] 17-11-2020

[51] Cl. 21-01

[54] 手偶

Hand puppet

[73] 香港家庭福利會

Hong Kong Family Welfare Society

香港灣仔

軒尼詩道 130 號

修頓中心 20 樓 2010 室

[74] 香港家庭福利會

香港新界屯門

蝴蝶邨蝶意樓

104-106 號地下



[11] 2017124.5M001

[15] 23-11-2020

[51] Cl. 6-01

[54] 不銹鋼扶手椅
Stainless armchair

[73] 華偉國際實業有限公司

Wah Wai International Industrial Limited
Room J, 5/F, Block 2, Kwun Tong Industrial Centre,
460-470 Kwun Tong Road,
Kwun Tong, Kowloon, Hong Kong

[74] Wah Wai International Industrial Limited

Room J, 5/F, Block 2, Kwun Tong Industrial Centre,
460-470 Kwun Tong Road,
Kwun Tong, Kowloon, Hong Kong



[11] 2017124.5M002

[15] 23-11-2020

[51] Cl. 6-01

[54] 不銹鋼扶手椅
Stainless armchair

[73] 華偉國際實業有限公司

Wah Wai International Industrial Limited
Room J, 5/F, Block 2, Kwun Tong Industrial Centre,
460-470 Kwun Tong Road,
Kwun Tong, Kowloon, Hong Kong

[74] Wah Wai International Industrial Limited

Room J, 5/F, Block 2, Kwun Tong Industrial Centre,
460-470 Kwun Tong Road,
Kwun Tong, Kowloon, Hong Kong



[11] 2017191.6

[15] 08-12-2020

[30] 16-11-2020 / EU / 008270169

[51] Cl. 3-01

[54] 袋
Bag

[73] Loro Piana S.p.A.
Corso Rolandi, 10,
I-13017 Quarona (Vercelli),
Italy

[74] WILKINSON & GRIST
6th Floor, Prince's Building,
Chater Road,
Hong Kong



[11] 2017192.8

[15] 08-12-2020

[30] 16-11-2020 / EU / 008270169

[51] Cl. 3-01

[54] 袋

Bag

[73] Loro Piana S.p.A.

Corso Rolandi, 10,

I-13017 Quarona (Vercelli),

Italy

[74] WILKINSON & GRIST

6th Floor, Prince's Building,

Chater Road,

Hong Kong



[11] 2017193.0

[15] 08-12-2020

[30] 16-11-2020 / EU / 008270169

[51] Cl. 3-01

[54] 袋

Bag

[73] Loro Piana S.p.A.

Corso Rolandi, 10,

I-13017 Quarona (Vercelli),

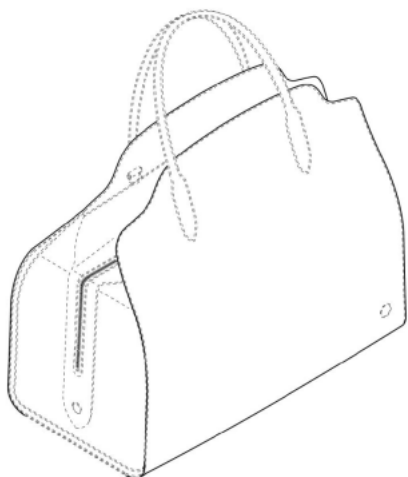
Italy

[74] WILKINSON & GRIST

6th Floor, Prince's Building,

Chater Road,

Hong Kong



[11] 2117410.3M001

[15] 13-01-2021

[30] 24-12-2020 / CH, GB, EU / WIPO100553

[51] Cl. 11-01

[54] 珠寶

Jewellery

[73] RICHEMONT INTERNATIONAL SA

Route des biches 10,

1752 Villars-Sur-Glane,

Switzerland

[74] LETTERS & THOO LIMITED

Suite 1008, Prosperity Millennia Plaza,

663 King's Road,

Quarry Bay, Hong Kong



[11] 2117410.3M002

[15] 13-01-2021

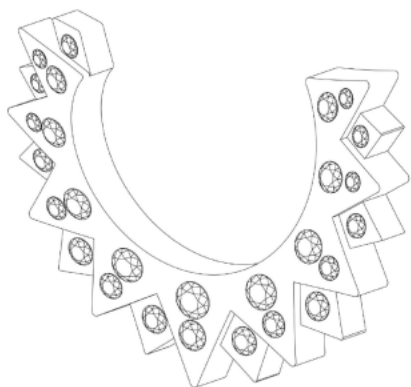
[30] 24-12-2020 / CH, GB, EU / WIPO100553

[51] Cl. 11-01

[54] 珠寶
Jewellery

[73] RICHEMONT INTERNATIONAL SA
Route des biches 10,
1752 Villars-Sur-Glane,
Switzerland

[74] LETTERS & THOO LIMITED
Suite 1008, Prosperity Millennia Plaza,
663 King's Road,
Quarry Bay, Hong Kong



[11] 2117410.3M003

[15] 13-01-2021

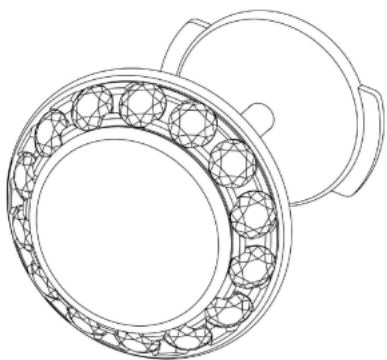
[30] 24-12-2020 / CH, GB, EU / WIPO100553

[51] Cl. 11-01

[54] 珠寶
Jewellery

[73] RICHEMONT INTERNATIONAL SA
Route des biches 10,
1752 Villars-Sur-Glane,
Switzerland

[74] LETTERS & THOO LIMITED
Suite 1008, Prosperity Millennia Plaza,
663 King's Road,
Quarry Bay, Hong Kong



[11] 2117410.3M004

[15] 13-01-2021

[30] 24-12-2020 / CH, GB, EU / WIPO100553

[51] Cl. 11-01

[54] 珠寶

Jewellery

[73] RICHEMONT INTERNATIONAL SA

Route des biches 10,
1752 Villars-Sur-Glane,
Switzerland

[74] LETTERS & THOO LIMITED

Suite 1008, Prosperity Millennia Plaza,
663 King's Road,
Quarry Bay, Hong Kong



[11] 2117411.5

[15] 14-01-2021

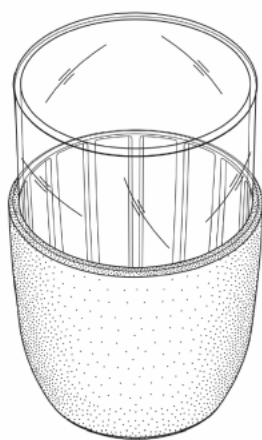
[30] 10-08-2020 / NO, SG, CH, EU, JP, KR / DM/209 849

[51] Cl. 7-01

[54] 杯
Mug

[73] Pi-Design AG
Kantonsstrasse 100,
CH-6234 Triengen,
Switzerland

[74] WENPING PATENT & TRADE MARK AGENT LIMITED
1701 Tung Wai Commercial Building,
111 Gloucester Road,
Hong Kong



[11] 2117412.7

[15] 14-01-2021

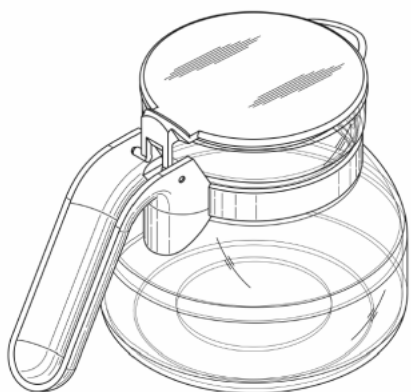
[30] 27-08-2020 / NO, SG, CH, EU, JP, KR / DM/210 430

[51] Cl. 7-01

[54] 咖啡滴漏壺
Coffee dripper jug

[73] Pi-Design AG
Kantonsstrasse 100,
CH-6234 Triengen,
Switzerland

[74] WENPING PATENT & TRADE MARK AGENT LIMITED
1701 Tung Wai Commercial Building,
111 Gloucester Road,
Hong Kong



[11] 2117415.4

[15] 14-01-2021

[51] C1. 13-02

[54] 汽車電池

Vehicles battery

[73] 黃蜂集團香港有限公司

WASP HK LIMITED

香港九龍

觀塘成業街 27 號

日昇中心 4 樓 405 室

[74] 天標知識產權代理有限公司

香港九龍

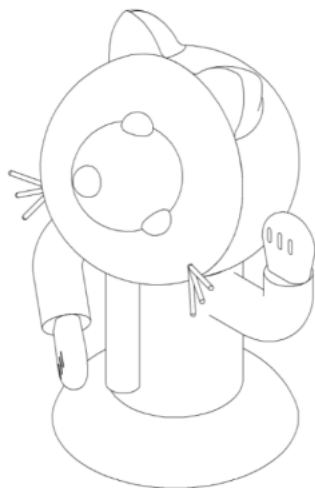
尖沙咀加連威老道 14 號

加連威大廈 4 樓 A 座

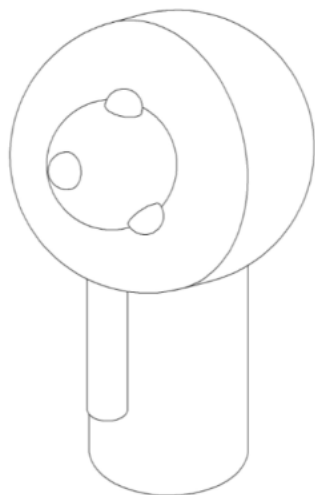


[11] 2117419.2M001

- [15] 15-01-2021
- [30] 29-09-2020 / EU / 008191431-0001
- [51] Cl. 21-01
- [54] 玩具
Toy
- [73] 余國寶
YU Kwok Po
40 Fanshaws Lane, Brickendon,
Herts SG13 8PF,
United Kingdom
- [74] FEDERATION OF HONG KONG INDUSTRIES
31/F, Billion Plaza,
8 Cheung Yue Street,
Cheung Sha Wan, Kowloon, Hong Kong



-
- [11] 2117419.2M002
- [15] 15-01-2021
- [30] 29-09-2020 / EU / 008191431-0003
- [51] Cl. 21-01
- [54] 玩具
Toy
- [73] 余國寶
YU Kwok Po
40 Fanshaws Lane, Brickendon,
Herts SG13 8PF,
United Kingdom
- [74] FEDERATION OF HONG KONG INDUSTRIES
31/F, Billion Plaza,
8 Cheung Yue Street,
Cheung Sha Wan, Kowloon, Hong Kong



[11] 2117420.4

[15] 15-01-2021

[51] Cl. 23-04

[54] 香薰機

Aroma diffuser

[73] 璞真生活有限公司

PUZHEN LIFE CO., LTD

Unit 1112-1116, 11/F, Delta House,

3 On Yiu Street,

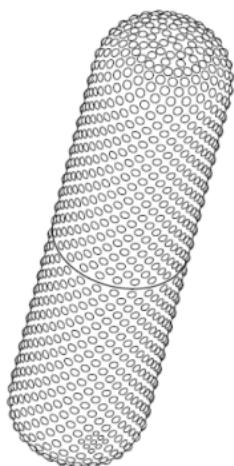
Shatin, Hong Kong

[74] FEDERATION OF HONG KONG INDUSTRIES

31/F, Billion Plaza,

8 Cheung Yue Street,

Cheung Sha Wan, Kowloon, Hong Kong



[11] 2117421.6

[15] 15-01-2021

[51] Cl. 9-03

[54] 包裝盒

Packaging box

[73] 鴻運貿易（國際）有限公司

HUNG WIN TRADING COMPANY LIMITED

香港葵涌

打磚坪街 44-52 號

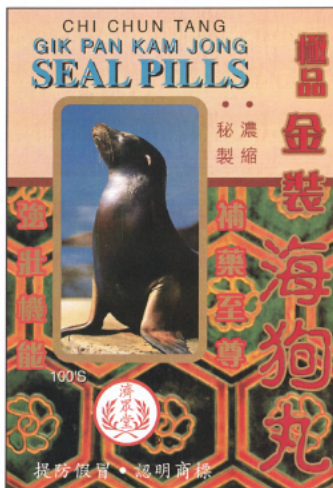
達明工業大廈 5 樓 A, A2, A3, A4, A5 室

[74] 鴻運貿易（國際）有限公司 (HUNG WIN TRADING COMPANY LIMITED)

香港葵涌

打磚坪街 44-52 號

達明工業大廈 5 樓 A, A2, A3, A4, A5 室



[11] 2117422.8

[15] 15-01-2021

[51] Cl. 9-03

[54] 包裝盒

Packaging box

[73] 鴻運貿易（國際）有限公司

HUNG WIN TRADING COMPANY LIMITED

香港葵涌

打磚坪街 44-52 號

達明工業大廈 5 樓 A, A2, A3, A4, A5 室

[74] 鴻運貿易（國際）有限公司 (HUNG WIN TRADING COMPANY LIMITED)

香港葵涌

打磚坪街 44-52 號

達明工業大廈 5 樓 A, A2, A3, A4, A5 室



[11] 2117423.0

[15] 15-01-2021

[51] C1. 9-03

[54] 包裝盒
Packaging box

[73] 鴻運貿易（國際）有限公司
HUNG WIN TRADING COMPANY LIMITED
香港葵涌
打磚坪街 44-52 號
達明工業大廈 5 樓 A, A2, A3, A4, A5 室

[74] 鴻運貿易（國際）有限公司 (HUNG WIN TRADING COMPANY LIMITED)
香港葵涌
打磚坪街 44-52 號
達明工業大廈 5 樓 A, A2, A3, A4, A5 室



[11] 2117424.2

[15] 15-01-2021

[51] Cl. 9-03

[54] 包裝盒

Packaging box

[73] 鴻運貿易（國際）有限公司

HUNG WIN TRADING COMPANY LIMITED

香港葵涌

打磚坪街 44-52 號

達明工業大廈 5 樓 A, A2, A3, A4, A5 室

[74] 鴻運貿易（國際）有限公司 (HUNG WIN TRADING COMPANY LIMITED)

香港葵涌

打磚坪街 44-52 號

達明工業大廈 5 樓 A, A2, A3, A4, A5 室





香港特別行政區政府知識產權署外觀設計註冊處
The Government of the Hong Kong Special Administrative Region
Designs Registry, Intellectual Property Department

根據註冊外觀設計條例第 28 條，下列註冊外觀設計因未繳續期費而停止有效。

各組記項按註冊外觀設計停止有效日期及註冊編號先後次序排列。

Registered designs ceased through non-payment of renewal fees under section 28 of the Registered Designs Ordinance. Entries are listed below under their expiry dates.

03-12-2020 - 08-12-2020

03-12-2020	0110283.1M002	0503023.6M009
0011742.6M002	0110283.1M003	0503023.6M010
0011742.6M003	0110283.1M004	0503023.6M014
0011742.6M004	0110283.1M005	0503023.6M015
0011742.6M005	0110283.1M006	0503024.8
0011742.6M006	1002306.3M001	0503025.1
1502568.3	1002306.3M002	0503026.3
1502569.5M001		0503027.5
1502569.5M002	07-12-2020	0503028.7
1502571.9M001	0503010.9	0503030.1
1502571.9M002	0503012.3M001	1502599.8M002
1502573.3	0503012.3M002	1502599.8M003
1502574.5	0503012.3M003	1502599.8M004
1502575.8	0503012.3M004	1502599.8M005
1502577.2	0503013.5	1502599.8M006
	0503014.7	1502600.2M001
04-12-2020	1002309.9M001	1502600.2M002
0502962.6M001	1002309.9M002	1502600.2M003
0502962.6M002	1002312.5M001	1502601.4M004
	1002312.5M002	1502602.6M001
05-12-2020	1002312.5M003	1502602.6M002
0502992.9	1002312.5M004	1502602.6M003
1002292.1M001	1002312.5M005	1502602.6M004
1002292.1M002	1502588.5	1502602.6M005
1002292.1M003	1502589.7	1502602.6M006
1002294.5	1502590.9	1502603.8
1002299.6	1502592.3	1502604.0
1002300.0M001	1502593.5	
1002300.0M002	1502596.2	
06-12-2020	08-12-2020	
0011782.0M001	0503021.2	
0011782.0M002	0503023.6M007	
0110283.1M001	0503023.6M008	



香港特別行政區政府知識產權署外觀設計註冊處
The Government of the Hong Kong Special Administrative Region
Designs Registry, Intellectual Property Department

根據註冊外觀設計規則第 31 條刪除的註冊外觀設計。各組記項按註冊外觀設計刪除日期及註冊編號先後次序排列。

Registered designs removed under section 31 of the Registered Designs Rules. Entries are listed below under their removal dates.

05-02-2021 - 10-02-2021

05-02-2021	1001071.2
1001034.4	1001072.4
1001035.7	1001073.6
1001036.9	1501189.7
1001038.3	1501192.3
1001040.7	
1001043.3	
1001044.5	
1001045.8	
1501167.1	

06-02-2021

1501175.8M001
1501175.8M002
1501175.8M003
1501178.4
1501179.6
1501180.8
1501181.0

09-02-2021

0501350.7
1001066.2
1501186.1
1501187.3
1502768.7M001
1502768.7M002
1502768.7M003
1502768.7M004
1502768.7M005

10-02-2021

0501370.9
0501377.4