

香港知識產權公報

Hong Kong Intellectual Property Journal

2021年3月26日

26 March 2021

目錄 Contents

根據註冊外觀設計條例第 25 條註冊的外觀設計

Designs Registered under section 25 of the Registered Designs Ordinance

按註冊編號排列

Arranged by Registration Number

根據註冊外觀設計條例(第 522 章)公布的其他公告

Other Notices Published under the Registered Designs Ordinance (Cap. 522)

根據註冊外觀設計條例第 28 條，註冊外觀設計因未繳續期費而停止有效

Registered designs ceased through non-payment of renewal fees under section 28 of the Registered Designs Ordinance

根據註冊外觀設計規則第 31 條刪除的註冊外觀設計

Registered designs removed under section 31 of the Registered Designs Rules

以下事項沒有記錄

No Records for the Following Matters

根據註冊外觀設計條例第 30 條放棄的外觀設計的註冊

Surrender of Registration of Design under section 30 of the Registered Designs Ordinance

根據註冊外觀設計規則第 37 條，向處長作出轉介

Reference to Registrar under section 37 of the Registered Designs Rules

根據註冊外觀設計條例第 45 條，撤銷註冊

Revocation of Registration under section 45 of the Registered Designs Ordinance

根據註冊外觀設計規則第 46 條，向法院作出轉介

Reference to Court under section 46 of the Registered Designs Rules

根據註冊外觀設計規則第 63 條對不符合規定之處作出糾正

Rectification of Irregularities under section 63 of the Registered Designs Rules

根據註冊外觀設計條例第 66 條，糾正註冊紀錄冊

Rectification of Register under section 66 of the Registered Designs Ordinance

根據註冊外觀設計條例第 67 條 更正註冊紀錄冊內的錯誤

Correction of errors in Register under section 67 of the Registered Designs Ordinance

根據註冊外觀設計條例第 67 及 76 條，更正註冊紀錄冊內及已提交文件中的錯誤

Correction of Errors in Register and in Filed Documents under sections 67 and 76 of the Registered Designs Ordinance

根據註冊外觀設計條例第 76 條，更正已提交文件中的錯誤

Correction of errors in filed documents under section 76 of the Registered Designs Ordinance

勘誤

Corrigendum

註冊外觀設計公告註釋

Notes on advertisements of registration of designs

方括號表示下列資料：

Square brackets indicate the following data：

[11] 註冊編號 Registration number / 聯合王國註冊編號 United Kingdom registration number

[15] 註冊日期 Registration date / 當作註冊日期 Deemed registration date / 聯合王國註冊日期 United Kingdom registration date

[17] 註冊有效期屆滿日期 Expiry date of the period of registration

[22] 提交日期 Filing date / 當作提交日期 Deemed filing date / 聯合王國提交日期 United Kingdom filing date

[30] 聲稱享有的優先權（提交日期 / 巴黎公約國或世界貿易組織成員 / 申請編號） Priority claimed (filing date / Paris Convention country or WTO member / application number)

[51] 國際外觀設計分類號（洛迦諾分類號） International Classification of designs (Locarno Classification)

[54] 物品 Article

[55] 外觀設計的表述 Representation of the design

[62] 分開前的申請編號及提交日期 Application number before division and filing date

[66] 過往註冊的聯繫外觀設計註冊編號 / 日期 Registration No. / Date of Previous Registration for Association

[72] 設計人 Designer

[73] 擁有人姓名和地址 Name and address of the owner

[74] 代理人 Agent /送達地址 Address for service



香港特別行政區政府知識產權署外觀設計註冊處
The Government of the Hong Kong Special Administrative Region
Designs Registry, Intellectual Property Department

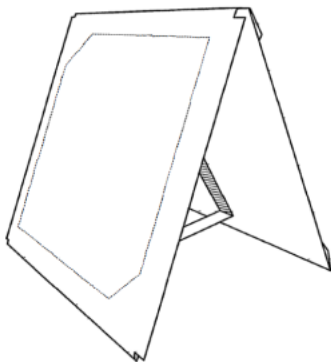
根據註冊外觀設計條例第 25 條註冊的外觀設計

Designs registered under section 25 of the Registered Designs Ordinance

按註冊編號排列

Arranged by Registration Number

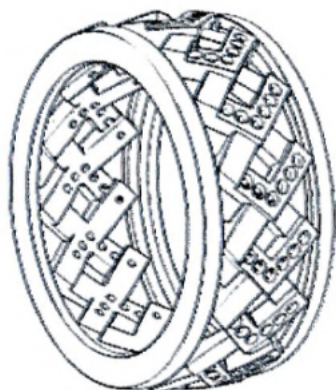
- [11] 2016244.8
- [15] 29-05-2020
- [30] 01-01-2020 / AU / 202010005
- [51] Cl. 19-01
- [54] 心意卡
Greeting card
- [73] The Love Post Pty Ltd
Unit 1471,
2 Gearin Alley, Mascot NSW 2020,
Australia
- [74] Austina Wan
16B, Tower 3, The Harbourside,
1 Austin Road West,
Hong Kong



-
- [11] 2016893.4M001
 - [15] 28-09-2020
 - [51] Cl. 11-01
 - [54] 戒指
Ring

[73] TI COLLECTION LIMITED
8/F Fontaine Building,
18 Mody Road,
Tsim Sha Tsui, Hong Kong

[74] TI COLLECTION LIMITED
8/F, Fontaine Building,
18 Mody Road,
Tsim Sha Tsui, Hong Kong



[11] 2016893.4M002

[15] 28-09-2020

[51] Cl. 11-01

[54] 耳環

Earrings

[73] TI COLLECTION LIMITED
8/F Fontaine Building,
18 Mody Road,
Tsim Sha Tsui, Hong Kong

[74] TI COLLECTION LIMITED
8/F, Fontaine Building,
18 Mody Road,
Tsim Sha Tsui, Hong Kong



[11] 2016893.4M003

[15] 28-09-2020

[51] Cl. 11-01

[54] 項鍊吊墜
Pendant

[73] TI COLLECTION LIMITED
8/F Fontaine Building,
18 Mody Road,
Tsim Sha Tsui, Hong Kong

[74] TI COLLECTION LIMITED
8/F, Fontaine Building,
18 Mody Road,
Tsim Sha Tsui, Hong Kong



[11] 2016927.8M001

[15] 07-10-2020

[30] 07-04-2020 / CN / 202030132015.X

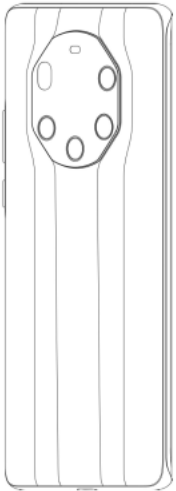
[51] Cl. 14-03

[54] 手機

Mobile phone

[73] HUAWEI TECHNOLOGIES CO., LTD.
Huawei Administration Building,
Bantian, Longgang District,
Shenzhen, Guangdong 518129,
China

[74] GLOBAL IP AGENT COMPANY LIMITED
9/F., Goodwill Industrial Building,
36-44 Pak Tin Par Street,
Tsuen Wan, Hong Kong



[11] 2016927.8M002

[15] 07-10-2020

[30] 07-04-2020 / CN / 202030132015.X

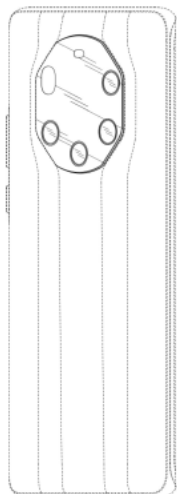
[51] Cl. 14-03

[54] 手機

Mobile phone

[73] HUAWEI TECHNOLOGIES CO., LTD.
Huawei Administration Building,
Bantian, Longgang District,
Shenzhen, Guangdong 518129,
China

[74] GLOBAL IP AGENT COMPANY LIMITED
9/F., Goodwill Industrial Building,
36-44 Pak Tin Par Street,
Tsuen Wan, Hong Kong



[11] 2016927.8M003

[15] 07-10-2020

[30] 07-04-2020 / CN / 202030132015.X

[51] Cl. 14-03

[54] 手機

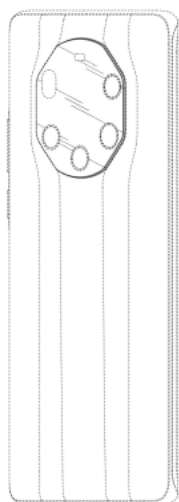
Mobile phone

[73] HUAWEI TECHNOLOGIES CO., LTD.

Huawei Administration Building,
Bantian, Longgang District,
Shenzhen, Guangdong 518129,
China

[74] GLOBAL IP AGENT COMPANY LIMITED

9/F., Goodwill Industrial Building,
36-44 Pak Tin Par Street,
Tsuen Wan, Hong Kong



[11] 2016927.8M004

[15] 07-10-2020

[30] 07-04-2020 / CN / 202030132015.X

[51] Cl. 14-03

[54] 手機

Mobile phone

[73] HUAWEI TECHNOLOGIES CO., LTD.

Huawei Administration Building,

Bantian, Longgang District,

Shenzhen, Guangdong 518129,

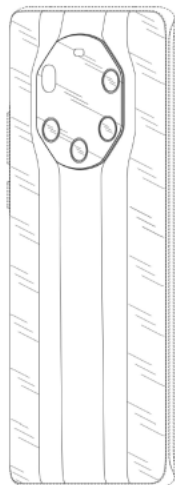
China

[74] GLOBAL IP AGENT COMPANY LIMITED

9/F., Goodwill Industrial Building,

36-44 Pak Tin Par Street,

Tsuen Wan, Hong Kong



[11] 2016927.8M005

[15] 07-10-2020

[30] 07-04-2020 / CN / 202030132015.X

[51] Cl. 14-03

[54] 手機

Mobile phone

[73] HUAWEI TECHNOLOGIES CO., LTD.

Huawei Administration Building,

Bantian, Longgang District,

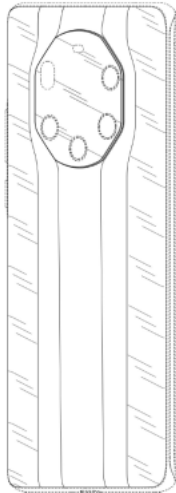
Shenzhen, Guangdong 518129,

China

[74] GLOBAL IP AGENT COMPANY LIMITED

9/F., Goodwill Industrial Building,

36-44 Pak Tin Par Street,
Tsuen Wan, Hong Kong



[11] 2016927.8M006

[15] 07-10-2020

[30] 07-04-2020 / CN / 202030132015.X

[51] Cl. 14-03

[54] 手機

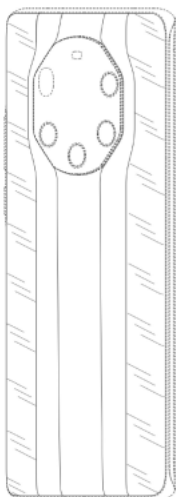
Mobile phone

[73] HUAWEI TECHNOLOGIES CO., LTD.

Huawei Administration Building,
Bantian, Longgang District,
Shenzhen, Guangdong 518129,
China

[74] GLOBAL IP AGENT COMPANY LIMITED

9/F., Goodwill Industrial Building,
36-44 Pak Tin Par Street,
Tsuen Wan, Hong Kong



[11] 2016933.0M001

[15] 08-10-2020

[30] 14-04-2020 / CN / 202030145838.6

[51] Cl. 14-01

[54] 耳機

Headset

[73] HUAWEI TECHNOLOGIES CO., LTD.

Huawei Administration Building,

Bantian, Longgang District,

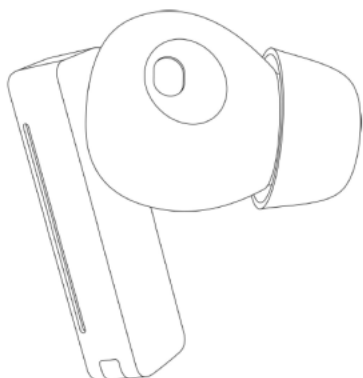
Shenzhen, Guangdong 518129, China

[74] GLOBAL IP AGENT COMPANY LIMITED

9/F., Goodwill Industrial Building,

36-44 Pak Tin Par Street,

Tsuen Wan, Hong Kong



[11] 2016933.0M002

- [15] 08-10-2020
- [30] 14-04-2020 / CN / 202030145838.6
- [51] Cl. 14-01
- [54] 耳機
Headset
- [73] HUAWEI TECHNOLOGIES CO., LTD.
Huawei Administration Building,
Bantian, Longgang District,
Shenzhen, Guangdong 518129, China
- [74] GLOBAL IP AGENT COMPANY LIMITED
9/F., Goodwill Industrial Building,
36-44 Pak Tin Par Street,
Tsuen Wan, Hong Kong



-
- [11] 2016933.0M003
- [15] 08-10-2020
- [30] 14-04-2020 / CN / 202030145838.6
- [51] Cl. 14-01
- [54] 耳機
Headset
- [73] HUAWEI TECHNOLOGIES CO., LTD.
Huawei Administration Building,
Bantian, Longgang District,
Shenzhen, Guangdong 518129, China
- [74] GLOBAL IP AGENT COMPANY LIMITED
9/F., Goodwill Industrial Building,
36-44 Pak Tin Par Street,
Tsuen Wan, Hong Kong



[11] 2016933.0M004

[15] 08-10-2020

[30] 14-04-2020 / CN / 202030145838.6

[51] Cl. 14-01

[54] 耳機

Headset

[73] HUAWEI TECHNOLOGIES CO., LTD.

Huawei Administration Building,

Bantian, Longgang District,

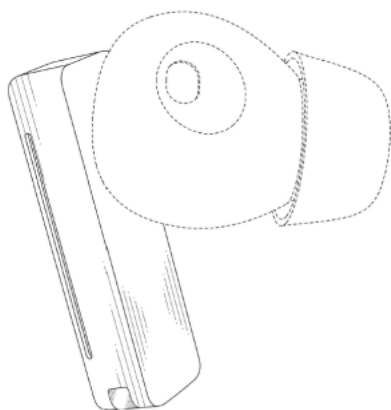
Shenzhen, Guangdong 518129, China

[74] GLOBAL IP AGENT COMPANY LIMITED

9/F., Goodwill Industrial Building,

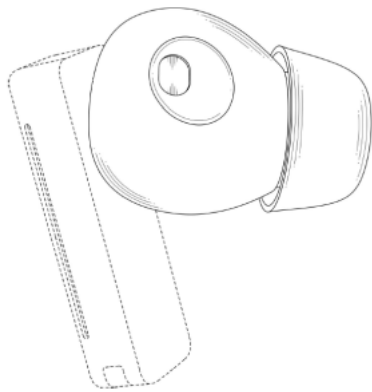
36-44 Pak Tin Par Street,

Tsuen Wan, Hong Kong

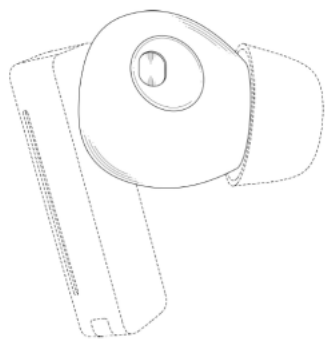


[11] 2016933.0M005

- [15] 08-10-2020
- [30] 14-04-2020 / CN / 202030145838.6
- [51] Cl. 14-01
- [54] 耳機
Headset
- [73] HUAWEI TECHNOLOGIES CO., LTD.
Huawei Administration Building,
Bantian, Longgang District,
Shenzhen, Guangdong 518129, China
- [74] GLOBAL IP AGENT COMPANY LIMITED
9/F., Goodwill Industrial Building,
36-44 Pak Tin Par Street,
Tsuen Wan, Hong Kong



-
- [11] 2016933.0M006
- [15] 08-10-2020
- [30] 14-04-2020 / CN / 202030145838.6
- [51] Cl. 14-01
- [54] 耳機
Headset
- [73] HUAWEI TECHNOLOGIES CO., LTD.
Huawei Administration Building,
Bantian, Longgang District,
Shenzhen, Guangdong 518129, China
- [74] GLOBAL IP AGENT COMPANY LIMITED
9/F., Goodwill Industrial Building,
36-44 Pak Tin Par Street,
Tsuen Wan, Hong Kong



[11] 2016933.0M007

[15] 08-10-2020

[30] 14-04-2020 / CN / 202030145838.6

[51] Cl. 14-01

[54] 耳機

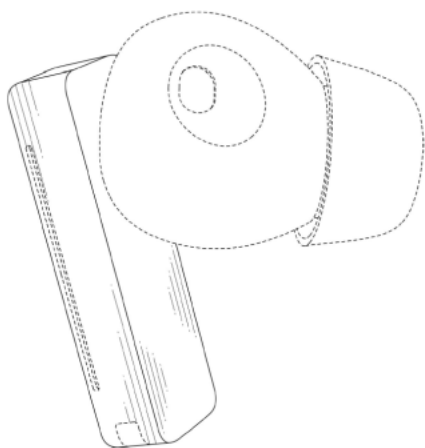
Headset

[73] HUAWEI TECHNOLOGIES CO., LTD.

Huawei Administration Building,
Bantian, Longgang District,
Shenzhen, Guangdong 518129, China

[74] GLOBAL IP AGENT COMPANY LIMITED

9/F., Goodwill Industrial Building,
36-44 Pak Tin Par Street,
Tsuen Wan, Hong Kong



[11] 2016933.0M008

[15] 08-10-2020

[30] 14-04-2020 / CN / 202030145838.6

[51] Cl. 14-01

[54] 耳機

Headset

[73] HUAWEI TECHNOLOGIES CO., LTD.

Huawei Administration Building,

Bantian, Longgang District,

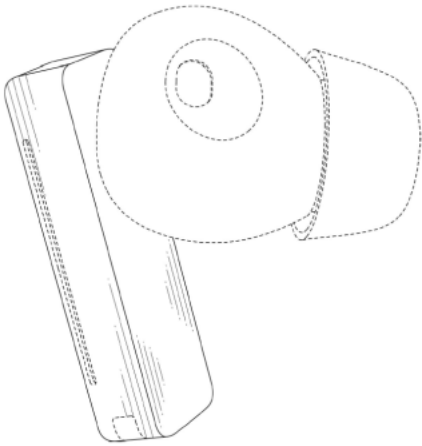
Shenzhen, Guangdong 518129, China

[74] GLOBAL IP AGENT COMPANY LIMITED

9/F., Goodwill Industrial Building,

36-44 Pak Tin Par Street,

Tsuen Wan, Hong Kong



[11] 2016933.0M009

[15] 08-10-2020

[30] 14-04-2020 / CN / 202030145838.6

[51] Cl. 14-01

[54] 耳機

Headset

[73] HUAWEI TECHNOLOGIES CO., LTD.

Huawei Administration Building,

Bantian, Longgang District,

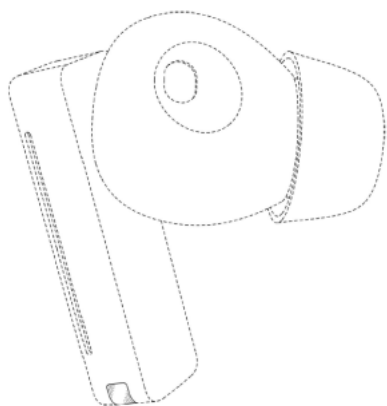
Shenzhen, Guangdong 518129, China

[74] GLOBAL IP AGENT COMPANY LIMITED

9/F., Goodwill Industrial Building,

36-44 Pak Tin Par Street,

Tsuen Wan, Hong Kong



[11] 2016933.0M010

[15] 08-10-2020

[30] 14-04-2020 / CN / 202030145838.6

[51] Cl. 14-01

[54] 耳機

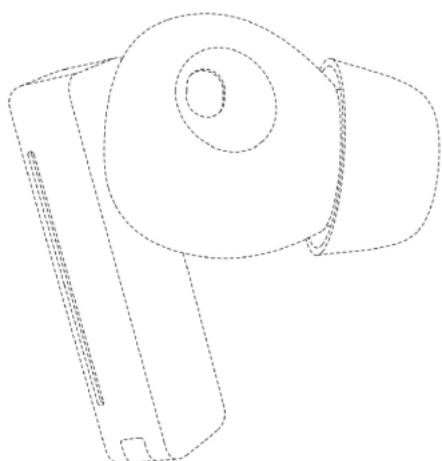
Headset

[73] HUAWEI TECHNOLOGIES CO., LTD.

Huawei Administration Building,
Bantian, Longgang District,
Shenzhen, Guangdong 518129, China

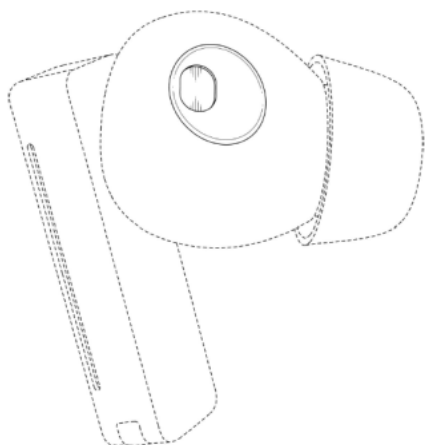
[74] GLOBAL IP AGENT COMPANY LIMITED

9/F., Goodwill Industrial Building,
36-44 Pak Tin Par Street,
Tsuen Wan, Hong Kong

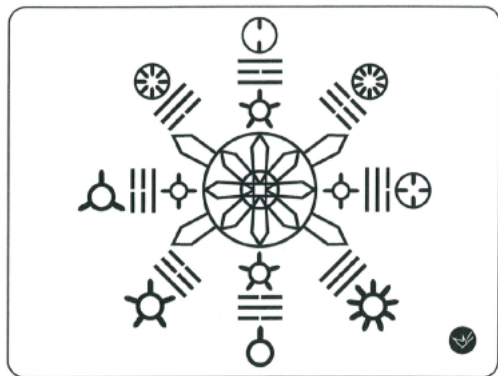


[11] 2016933.0M011

- [15] 08-10-2020
- [30] 14-04-2020 / CN / 202030145838.6
- [51] Cl. 14-01
- [54] 耳機
Headset
- [73] HUAWEI TECHNOLOGIES CO., LTD.
Huawei Administration Building,
Bantian, Longgang District,
Shenzhen, Guangdong 518129, China
- [74] GLOBAL IP AGENT COMPANY LIMITED
9/F., Goodwill Industrial Building,
36-44 Pak Tin Par Street,
Tsuen Wan, Hong Kong



-
- [11] 2016952.0
- [15] 14-10-2020
- [51] Cl. 11-02
- [54] 牆的裝飾
Wall ornament
- [73] 莫滿強
MOK MOON KEUNG
香港九龍
藍田康逸苑
康庭閣 2008 室
- [74] MOK MOON KEUNG
香港九龍
藍田康逸苑
康庭閣 2008 室



[11] 2016982.3M001

[15] 21-10-2020

[51] Cl. 13-02

[54] 儲能電源

Power station

[73] 天寶國際興業有限公司

Ten Pao International Limited

香港觀塘

海濱道 151-153 號

廣生行中心 6 樓 10-12 室

[74] 智群科技設計（香港）有限公司

香港九龍

九龍灣宏光道 8 號

創豪坊 7 樓 706 室



[11] 2016982.3M002

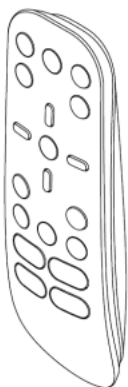
[15] 21-10-2020

[51] Cl. 13-02

- [54] 儲能電源
Power station
- [73] 天寶國際興業有限公司
Ten Pao International Limited
香港觀塘
海濱道 151-153 號
廣生行中心 6 樓 10-12 室
- [74] 智群科技設計（香港）有限公司
香港九龍
九龍灣宏光道 8 號
創豪坊 7 樓 706 室



-
- [11] 2017064.7M001
- [15] 13-11-2020
- [30] 22-05-2020 / JP / 010081 of 2020
- [51] Cl. 14-03
- [54] 遙控器
Remote controller
- [73] SONY INTERACTIVE ENTERTAINMENT INC.
1-7-1 Konan,
Minato-ku, Tokyo,
Japan
- [74] CHINA PATENT AGENT (HONG KONG) LIMITED
22/F, Great Eagle Centre,
23 Harbour Road,
Wanchai, Hong Kong



[11] 2017064.7M002

[15] 13-11-2020

[30] 22-05-2020 / JP / 010083 of 2020

[51] Cl. 14-01

[54] 耳機

Headphone

[73] SONY INTERACTIVE ENTERTAINMENT INC.

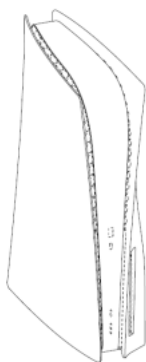
1-7-1 Konan,
Minato-ku, Tokyo,
Japan

[74] CHINA PATENT AGENT (HONG KONG) LIMITED

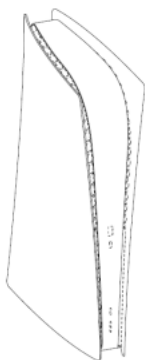
22/F, Great Eagle Centre,
23 Harbour Road,
Wanchai, Hong Kong



- [11] 2017064.7M003
- [15] 13-11-2020
- [30] 22-05-2020 / JP / 010084 of 2020
- [51] Cl. 14-02
- [54] 電子設備
Electronic device
- [73] SONY INTERACTIVE ENTERTAINMENT INC.
1-7-1 Konan,
Minato-ku, Tokyo,
Japan
- [74] CHINA PATENT AGENT (HONG KONG) LIMITED
22/F, Great Eagle Centre,
23 Harbour Road,
Wanchai, Hong Kong



-
- [11] 2017064.7M004
- [15] 13-11-2020
- [30] 22-05-2020 / JP / 010085 of 2020
- [51] Cl. 14-02
- [54] 電子設備
Electronic device
- [73] SONY INTERACTIVE ENTERTAINMENT INC.
1-7-1 Konan,
Minato-ku, Tokyo,
Japan
- [74] CHINA PATENT AGENT (HONG KONG) LIMITED
22/F, Great Eagle Centre,
23 Harbour Road,
Wanchai, Hong Kong



[11] 2017064.7M005

[15] 13-11-2020

[30] 22-05-2020 / JP / 010086 of 2020

[51] Cl. 14-02

[54] 電子設備的蓋子

Cover for electronic device

[73] SONY INTERACTIVE ENTERTAINMENT INC.

1-7-1 Konan,
Minato-ku, Tokyo,
Japan

[74] CHINA PATENT AGENT (HONG KONG) LIMITED

22/F, Great Eagle Centre,
23 Harbour Road,
Wanchai, Hong Kong



[11] 2017064.7M006

[15] 13-11-2020

[30] 22-05-2020 / JP / 010087 of 2020

[51] Cl. 14-02

[54] 電子設備的蓋子

Cover for electronic device

[73] SONY INTERACTIVE ENTERTAINMENT INC.

1-7-1 Konan,

Minato-ku, Tokyo,

Japan

[74] CHINA PATENT AGENT (HONG KONG) LIMITED

22/F, Great Eagle Centre,

23 Harbour Road,

Wanchai, Hong Kong



[11] 2017064.7M007

[15] 13-11-2020

[30] 22-05-2020 / JP / 010088 of 2020

[51] Cl. 14-02

[54] 電子設備的蓋子

Cover for electronic device

[73] SONY INTERACTIVE ENTERTAINMENT INC.

1-7-1 Konan,

Minato-ku, Tokyo,

Japan

[74] CHINA PATENT AGENT (HONG KONG) LIMITED

22/F, Great Eagle Centre,

23 Harbour Road,

Wanchai, Hong Kong



[11] 2017064.7M008

[15] 13-11-2020

[30] 22-05-2020 / JP / 010089 of 2020

[51] Cl. 14-06

[54] 電子設備的支架

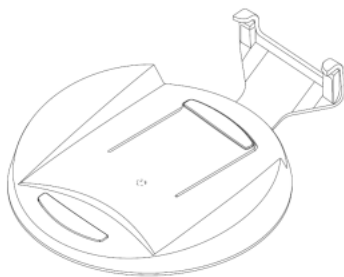
Stand for electronic device

[73] SONY INTERACTIVE ENTERTAINMENT INC.

1-7-1 Konan,
Minato-ku, Tokyo,
Japan

[74] CHINA PATENT AGENT (HONG KONG) LIMITED

22/F, Great Eagle Centre,
23 Harbour Road,
Wanchai, Hong Kong



[11] 2017064.7M009

[15] 13-11-2020

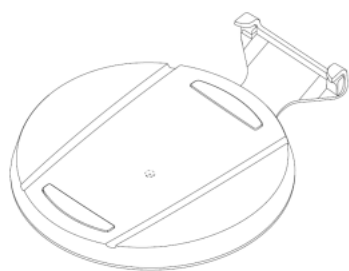
[30] 22-05-2020 / JP / 010090 of 2020

[51] Cl. 14-06

[54] 電子設備的支架
Stand for electronic device

[73] SONY INTERACTIVE ENTERTAINMENT INC.
1-7-1 Konan,
Minato-ku, Tokyo,
Japan

[74] CHINA PATENT AGENT (HONG KONG) LIMITED
22/F, Great Eagle Centre,
23 Harbour Road,
Wanchai, Hong Kong



[11] 2017064.7M010

[15] 13-11-2020

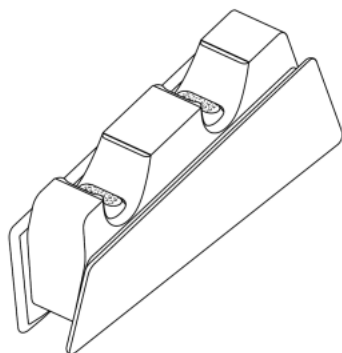
[30] 22-05-2020 / JP / 010091 of 2020

[51] Cl. 14-06

[54] 電子設備的托架
Cradle for electronic device

[73] SONY INTERACTIVE ENTERTAINMENT INC.
1-7-1 Konan,
Minato-ku, Tokyo,
Japan

[74] CHINA PATENT AGENT (HONG KONG) LIMITED
22/F, Great Eagle Centre,
23 Harbour Road,
Wanchai, Hong Kong



[11] 2017143.5M001

[15] 27-11-2020

[30] 27-05-2020 / US / 29/736,108

[51] Cl. 10-07

[54] 智能手表表帶

Band for smart watch

[73] 蘋果公司

APPLE INC.

One Apple Park Way, Cupertino,

California 95014,

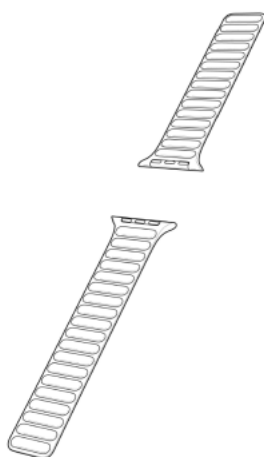
United States

[74] CLT PATENT & TRADEMARK (H.K.) LIMITED

Unit 09, 34/F., Office Tower, Convention Plaza,

No. 1 Harbour Road,

Wanchai, Hong Kong



[11] 2017143.5M002

[15] 27-11-2020

[30] 27-05-2020 / US / 29/736,108

[51] Cl. 10-07

[54] 智能手表表帶

Band for smart watch

[73] 蘋果公司

APPLE INC.

One Apple Park Way, Cupertino,

California 95014,

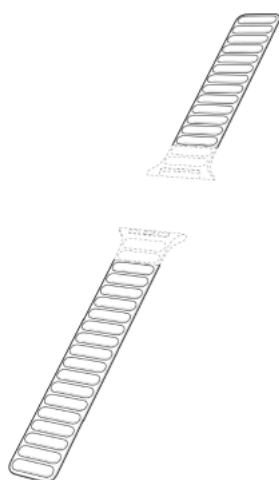
United States

[74] CLT PATENT & TRADEMARK (H.K.) LIMITED

Unit 09, 34/F., Office Tower, Convention Plaza,

No. 1 Harbour Road,

Wanchai, Hong Kong



[11] 2017165.2

[15] 02-12-2020

[30] 19-08-2020 / DE / 40 2020 100 789.7

[51] Cl. 21-01

[54] 玩具車

Toy vehicle

[73] VOLKSWAGEN AKTIENGESELLSCHAFT

Berliner Ring 2,

38440 Wolfsburg,

Germany

[74] CHINA PATENT AGENT (HONG KONG) LIMITED

22/F, Great Eagle Centre,

23 Harbour Road,

Wanchai, Hong Kong



[11] 2017166.4

[15] 02-12-2020

[30] 19-08-2020 / DE / 40 2020 100 789.7

[51] Cl. 12-08

[54] 汽車

Motor vehicle

[73] VOLKSWAGEN AKTIENGESELLSCHAFT

Berliner Ring 2,

38440 Wolfsburg,

Germany

[74] CHINA PATENT AGENT (HONG KONG) LIMITED

22/F, Great Eagle Centre,

23 Harbour Road,

Wanchai, Hong Kong



[11] 2017169.0M001

[15] 02-12-2020

[30] 02-06-2020 / US / 29/736,677

[51] Cl. 21-01

[54] 玩具彈發射器裝置

Toy projectile launcher apparatus

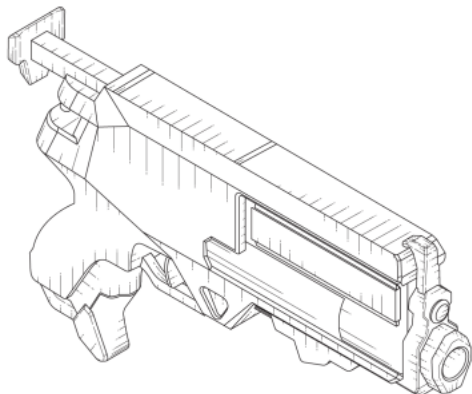
[73] HASBRO, INC.

1027 Newport Avenue,

Pawtucket, Rhode Island 02862-1059,

United States

[74] BIRD & BIRD
6/F, The Annex, Central Plaza,
18 Harbour Road,
Hong Kong



[11] 2017169.0M002

[15] 02-12-2020

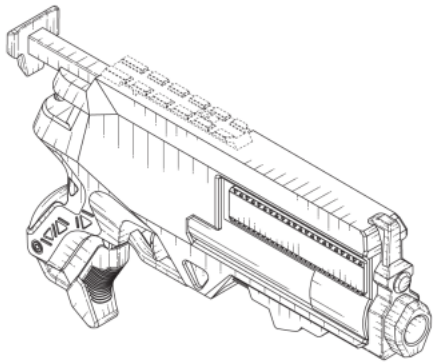
[30] 02-06-2020 / US / 29/736,677

[51] Cl. 21-01

[54] 玩具彈發射器裝置
Toy projectile launcher apparatus

[73] HASBRO, INC.
1027 Newport Avenue,
Pawtucket, Rhode Island 02862-1059,
United States

[74] BIRD & BIRD
6/F, The Annex, Central Plaza,
18 Harbour Road,
Hong Kong



[11] 2017169.0M003

[15] 02-12-2020

[30] 02-06-2020 / US / 29/736,677

[51] Cl. 21-01

[54] 玩具彈發射器裝置

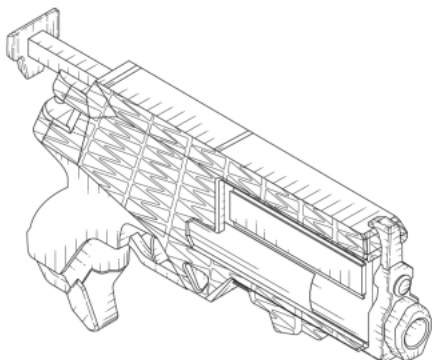
Toy projectile launcher apparatus

[73] HASBRO, INC.

1027 Newport Avenue,
Pawtucket, Rhode Island 02862-1059,
United States

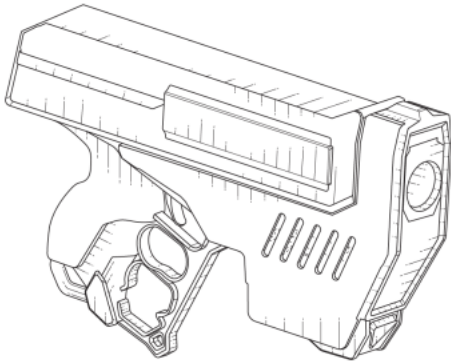
[74] BIRD & BIRD

6/F, The Annex, Central Plaza,
18 Harbour Road,
Hong Kong

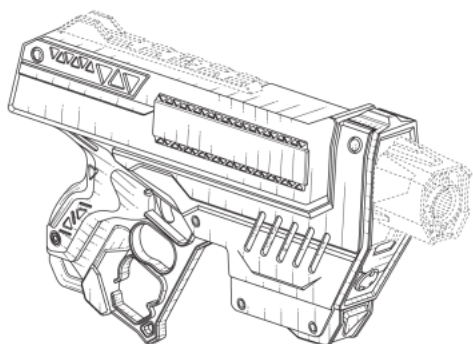


[11] 2017170.2M001

- [15] 02-12-2020
[30] 02-06-2020 / US / 29/736,679
[51] Cl. 21-01
[54] 玩具彈發射器裝置
Toy projectile launcher apparatus
[73] HASBRO, INC.
1027 Newport Avenue,
Pawtucket, Rhode Island 02862-1059,
United States
[74] BIRD & BIRD
6/F, The Annex, Central Plaza,
18 Harbour Road,
Hong Kong



-
- [11] 2017170.2M002
[15] 02-12-2020
[30] 02-06-2020 / US / 29/736,679
[51] Cl. 21-01
[54] 玩具彈發射器裝置
Toy projectile launcher apparatus
[73] HASBRO, INC.
1027 Newport Avenue,
Pawtucket, Rhode Island 02862-1059,
United States
[74] BIRD & BIRD
6/F, The Annex, Central Plaza,
18 Harbour Road,
Hong Kong



[11] 2017170.2M003

[15] 02-12-2020

[30] 02-06-2020 / US / 29/736,679

[51] Cl. 21-01

[54] 玩具彈發射器裝置

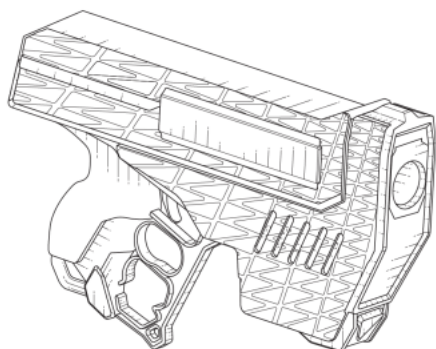
Toy projectile launcher apparatus

[73] HASBRO, INC.

1027 Newport Avenue,
Pawtucket, Rhode Island 02862-1059,
United States

[74] BIRD & BIRD

6/F, The Annex, Central Plaza,
18 Harbour Road,
Hong Kong



[11] 2017187.8

[15] 07-12-2020

[30] 01-09-2020 / CA, MX, SG, CH, TR, EU, KR / DM/210 176

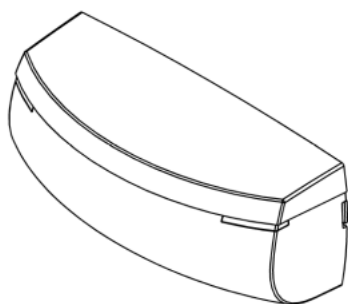
[51] Cl. 10-05

[54] 檢測裝置

Detecting apparatus

[73] Bureau d'Electronique Appliquée
Parc scientifique du Sart-Tilman,
Allée des Noisetiers 5,
4031 Angleur,
Belgium

[74] WENPING PATENT & TRADE MARK AGENT LIMITED
1701 Tung Wai Commercial Building,
111 Gloucester Road,
Hong Kong



[11] 2017233.6

[15] 14-12-2020

[30] 06-10-2020 / FR / 2020-4508

[51] Cl. 2-04

[54] 鞋

Shoe

[73] LOUIS VUITTON MALLETIER
2 rue du Pont-Neuf,
75001 Paris,
France

[74] BAKER & MCKENZIE
14th Floor, One Taikoo Place,
979 King's Road,
Quarry Bay, Hong Kong



[11] 2017234.8

[15] 14-12-2020

[30] 06-10-2020 / FR / 2020-4508

[51] Cl. 2-04

[54] 鞋

Shoe

[73] LOUIS VUITTON MALLETIER

2 rue du Pont-Neuf,

75001 Paris,

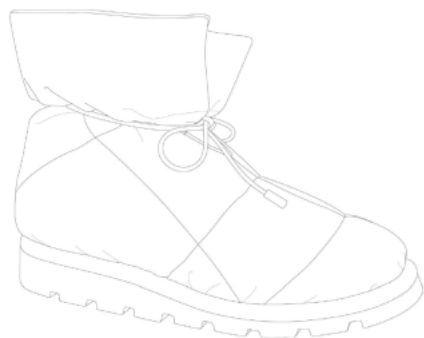
France

[74] BAKER & MCKENZIE

14th Floor, One Taikoo Place,

979 King's Road,

Quarry Bay, Hong Kong



[11] 2017235.1

[15] 14-12-2020

[30] 27-06-2020 / FR / 2020-2957

[51] Cl. 3-01

[54] 袋

Bag

[73] LOUIS VUITTON MALLETIER
2 rue du Pont-Neuf,
75001 Paris,
France

[74] BAKER & MCKENZIE
14th Floor, One Taikoo Place,
979 King's Road,
Quarry Bay, Hong Kong



[11] 2017237.5

[15] 14-12-2020

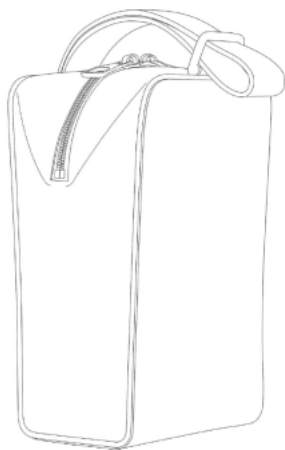
[30] 26-06-2020 / FR / 2020-2942

[51] Cl. 3-01

[54] 袋
Bag

[73] LOUIS VUITTON MALLETIER
2 rue du Pont-Neuf,
75001 Paris,
France

[74] BAKER & MCKENZIE
14th Floor, One Taikoo Place,
979 King's Road,
Quarry Bay, Hong Kong



[11] 2017238.7

[15] 14-12-2020

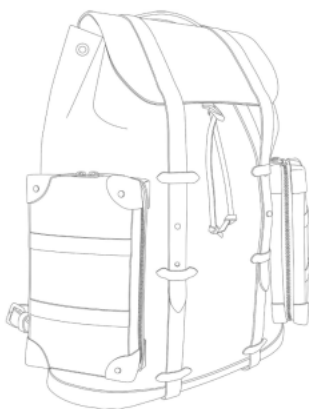
[30] 26-06-2020 / FR / 2020-2941

[51] Cl. 3-01

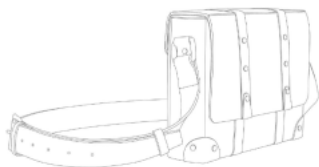
[54] 袋
Bag

[73] LOUIS VUITTON MALLETIER
2 rue du Pont-Neuf,
75001 Paris,
France

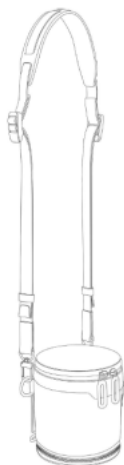
[74] BAKER & MCKENZIE
14th Floor, One Taikoo Place,
979 King's Road,
Quarry Bay, Hong Kong



- [11] 2017239.9
[15] 14-12-2020
[30] 26-06-2020 / FR / 2020-2938
[51] Cl. 3-01
[54] 袋
Bag
[73] LOUIS VUITTON MALLETIER
2 rue du Pont-Neuf,
75001 Paris,
France
[74] BAKER & MCKENZIE
14th Floor, One Taikoo Place,
979 King's Road,
Quarry Bay, Hong Kong



-
- [11] 2017240.1
[15] 14-12-2020
[30] 26-06-2020 / FR / 2020-2933
[51] Cl. 3-01
[54] 袋
Bag
[73] LOUIS VUITTON MALLETIER
2 rue du Pont-Neuf,
75001 Paris,
France
[74] BAKER & MCKENZIE
14th Floor, One Taikoo Place,
979 King's Road,
Quarry Bay, Hong Kong



[11] 2017316.3M001

[15] 22-12-2020

[30] 30-06-2020 / CN / 202030343168.9

[51] C1. 20-02

[54] 製冷展示櫃

Refrigeration display cabinet

[73] CARRIER CORPORATION

13995 Pasteur Blvd.,

Palm Beach Gardens, Fl 33418,

United States

[74] CHINA PATENT AGENT (HONG KONG) LIMITED

22/F, Great Eagle Centre,

23 Harbour Road,

Wanchai, Hong Kong



- [11] 2017316.3M002
[15] 22-12-2020
[30] 30-06-2020 / CN / 202030343168.9
[51] C1. 20-02
[54] 製冷展示櫃
Refrigeration display cabinet
[73] CARRIER CORPORATION
13995 Pasteur Blvd.,
Palm Beach Gardens, Fl 33418,
United States
[74] CHINA PATENT AGENT (HONG KONG) LIMITED
22/F, Great Eagle Centre,
23 Harbour Road,
Wanchai, Hong Kong



-
- [11] 2017316.3M003
[15] 22-12-2020
[30] 30-06-2020 / CN / 202030343168.9
[51] C1. 20-02
[54] 製冷展示櫃
Refrigeration display cabinet
[73] CARRIER CORPORATION
13995 Pasteur Blvd.,
Palm Beach Gardens, Fl 33418,
United States
[74] CHINA PATENT AGENT (HONG KONG) LIMITED
22/F, Great Eagle Centre,
23 Harbour Road,
Wanchai, Hong Kong



[11] 2017327.6M001

[15] 24-12-2020

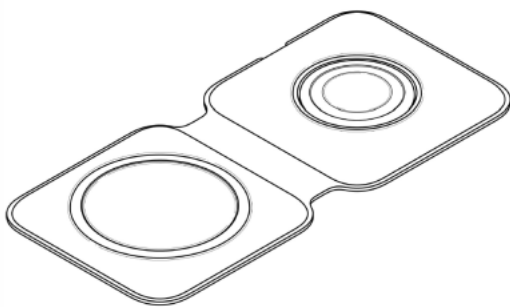
[30] 24-06-2020 / US / 29/739,333

[51] Cl. 13-02

[54] 充電器
Charger

[73] 蘋果公司
APPLE INC.
One Apple Park Way, Cupertino,
California 95014,
United States

[74] CLT PATENT & TRADEMARK (H.K.) LIMITED
Unit 09, 34/F., Office Tower, Convention Plaza,
No. 1 Harbour Road,
Wanchai, Hong Kong



[11] 2017327.6M002

[15] 24-12-2020

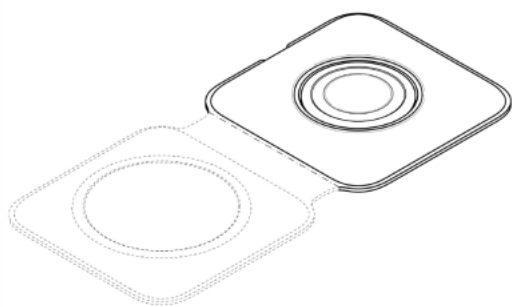
[30] 24-06-2020 / US / 29/739,333

[51] Cl. 13-02

[54] 充電器
Charger

[73] 蘋果公司
APPLE INC.
One Apple Park Way, Cupertino,
California 95014,
United States

[74] CLT PATENT & TRADEMARK (H.K.) LIMITED
Unit 09, 34/F., Office Tower, Convention Plaza,
No. 1 Harbour Road,
Wanchai, Hong Kong



[11] 2017327.6M003

[15] 24-12-2020

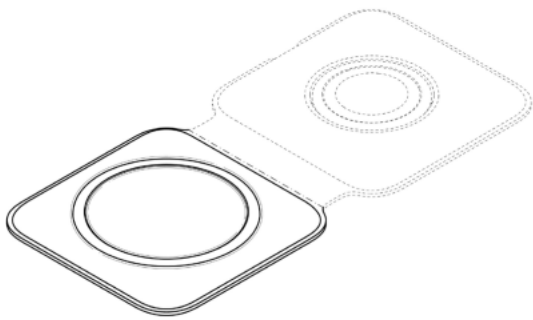
[30] 24-06-2020 / US / 29/739,333

[51] Cl. 13-02

[54] 充電器
Charger

[73] 蘋果公司
APPLE INC.
One Apple Park Way, Cupertino,
California 95014,
United States

[74] CLT PATENT & TRADEMARK (H.K.) LIMITED
Unit 09, 34/F., Office Tower, Convention Plaza,
No. 1 Harbour Road,
Wanchai, Hong Kong



[11] 2017327.6M004

[15] 24-12-2020

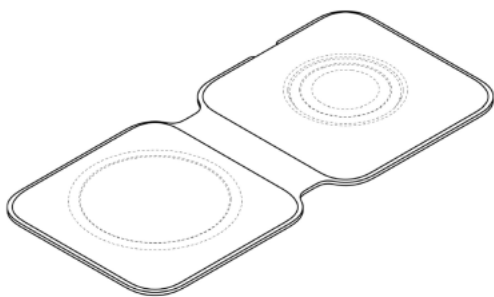
[30] 24-06-2020 / US / 29/739,333

[51] Cl. 13-02

[54] 充電器
Charger

[73] 蘋果公司
APPLE INC.
One Apple Park Way, Cupertino,
California 95014,
United States

[74] CLT PATENT & TRADEMARK (H.K.) LIMITED
Unit 09, 34/F., Office Tower, Convention Plaza,
No. 1 Harbour Road,
Wanchai, Hong Kong



[11] 2017327.6M005

[15] 24-12-2020

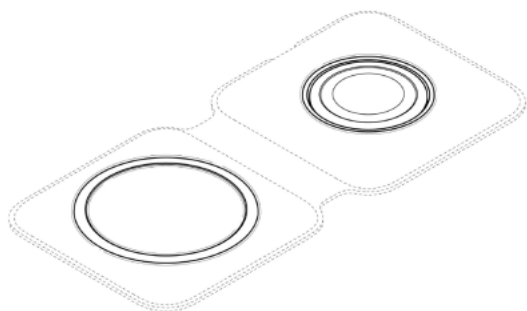
[30] 24-06-2020 / US / 29/739,333

[51] Cl. 13-02

[54] 充電器
Charger

[73] 蘋果公司
APPLE INC.
One Apple Park Way, Cupertino,
California 95014,
United States

[74] CLT PATENT & TRADEMARK (H.K.) LIMITED
Unit 09, 34/F., Office Tower, Convention Plaza,
No. 1 Harbour Road,
Wanchai, Hong Kong



[11] 2017327.6M006

[15] 24-12-2020

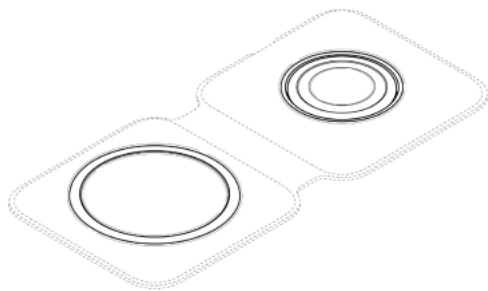
[30] 24-06-2020 / US / 29/739,333

[51] Cl. 13-02

[54] 充電器
Charger

[73] 蘋果公司
APPLE INC.
One Apple Park Way, Cupertino,
California 95014,
United States

[74] CLT PATENT & TRADEMARK (H.K.) LIMITED
Unit 09, 34/F., Office Tower, Convention Plaza,
No. 1 Harbour Road,
Wanchai, Hong Kong



[11] 2017327.6M007

[15] 24-12-2020

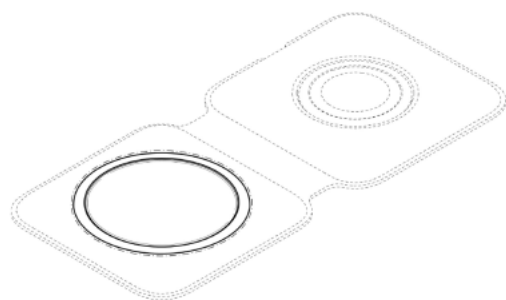
[30] 24-06-2020 / US / 29/739,333

[51] Cl. 13-02

[54] 充電器
Charger

[73] 蘋果公司
APPLE INC.
One Apple Park Way, Cupertino,
California 95014,
United States

[74] CLT PATENT & TRADEMARK (H.K.) LIMITED
Unit 09, 34/F., Office Tower, Convention Plaza,
No. 1 Harbour Road,
Wanchai, Hong Kong



[11] 2117391.1

[15] 08-01-2021

[51] Cl. 2-04

[54] 鞋墊
Insoles

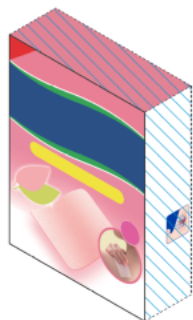
[73] 保立科技(香港)有限公司
Prolux Technology Limited
香港

香港仔黃竹坑道 16 號
勝利工廠大廈 4 樓 07 室

- [74] 保立科技（香港）有限公司
香港
香港仔黃竹坑道 16 號
勝利工廠大廈 4 樓 07 室



-
- [11] 2117439.4M001
[15] 19-01-2021
[30] 16-10-2020 / JP / 022364 of 2020
[51] Cl. 9-03
[54] 包裝盒
Packing box
[73] 久光製藥株式會社
HISAMITSU PHARMACEUTICAL CO., INC.
408, Tashirodaikan-machi,
Tosu-shi, Saga 841-0017,
Japan
[74] WILKINSON & GRIST
6th Floor, Prince's Building,
Chater Road,
Hong Kong



[11] 2117439.4M002

[15] 19-01-2021

[30] 16-10-2020 / JP / 022365 of 2020

[51] Cl. 9-03

[54] 包裝盒

Packing box

[73] 久光製藥株式會社

HISAMITSU PHARMACEUTICAL CO., INC.

408, Tashirodaikan-machi,

Tosu-shi, Saga 841-0017,

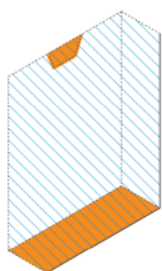
Japan

[74] WILKINSON & GRIST

6th Floor, Prince's Building,

Chater Road,

Hong Kong



[11] 2117439.4M003

[15] 19-01-2021

[30] 16-10-2020 / JP / 022366 of 2020

[51] Cl. 9-03

[54] 包裝盒

Packing box

[73] 久光製藥株式會社

HISAMITSU PHARMACEUTICAL CO., INC.

408, Tashirodaikan-machi,

Tosu-shi, Saga 841-0017,

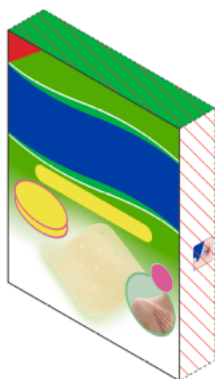
Japan

[74] WILKINSON & GRIST

6th Floor, Prince's Building,

Chater Road,

Hong Kong



[11] 2117439.4M004

[15] 19-01-2021

[30] 16-10-2020 / JP / 022367 of 2020

[51] Cl. 9-03

[54] 包裝盒

Packing box

[73] 久光製藥株式會社

HISAMITSU PHARMACEUTICAL CO., INC.

408, Tashirodaikan-machi,

Tosu-shi, Saga 841-0017,

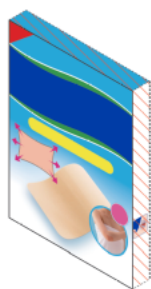
Japan

[74] WILKINSON & GRIST

6th Floor, Prince's Building,

Chater Road,

Hong Kong



[11] 2117496.4M001

[15] 28-01-2021

[30] 26-01-2021 / CN / 202130055667.2

[51] Cl. 19-08

[54] 包裝桶貼

Packaging barrel sticker

[73] 中國弘潤國際有限公司

CHINA HONGREN INTERNATIONAL LIMITED

Room 1005, 10/F Ho King Commercial Centre,

2-16 Fa Yuen Street,

Mongkok, Kowloon, Hong Kong

[74] HONG KONG INTELLECTUAL PROPERTY AGENT LIMITED

Unit 230, 2/F, Building 12W,

No. 12 Science Park West Avenue,

Phase 3, Hong Kong Science Park,

Pak Shek Kok, N.T., Hong Kong



[11] 2117496.4M002

[15] 28-01-2021

[30] 26-01-2021 / CN / 202130055667.2

[51] Cl. 19-08

- [54] 包裝桶貼
Packaging barrel sticker
- [73] 中國弘潤國際有限公司
CHINA HONGREN INTERNATIONAL LIMITED
Room 1005, 10/F Ho King Commercial Centre,
2-16 Fa Yuen Street,
Mongkok, Kowloon, Hong Kong
- [74] HONG KONG INTELLECTUAL PROPERTY AGENT LIMITED
Unit 230, 2/F, Building 12W,
No. 12 Science Park West Avenue,
Phase 3, Hong Kong Science Park,
Pak Shek Kok, N.T., Hong Kong



-
- [11] 2117503.1M001
- [15] 28-01-2021
- [30] 17-12-2020 / EU / 008333256-0001
- [51] Cl. 3-01
- [54] 袋
Bag
- [73] SOLMATE Ltd.
7 Sheynovo Str.,
Floor 6, 1504 Sofia,
Bulgaria
- [74] CHINAHONGKONG IP LIMITED
3011, 30/F, Office Tower, Convention Plaza,
1 Harbour Road,
Hong Kong



[11] 2117503.1M002

[15] 28-01-2021

[30] 17-12-2020 / EU / 008333256-0002

[51] Cl. 3-01

[54] 袋
Bag

[73] SOLMATE Ltd.
7 Sheynovo Str.,
Floor 6, 1504 Sofia,
Bulgaria

[74] CHINAHONGKONG IP LIMITED
3011, 30/F, Office Tower, Convention Plaza,
1 Harbour Road,
Hong Kong



[11] 2117503.1M003

[15] 28-01-2021

[30] 17-12-2020 / EU / 008333256-0003

[51] Cl. 3-01

[54] 袋

Bag

[73] SOLMATE Ltd.

7 Sheynovo Str.,

Floor 6, 1504 Sofia,

Bulgaria

[74] CHINAHONGKONG IP LIMITED

3011, 30/F, Office Tower, Convention Plaza,

1 Harbour Road,

Hong Kong



[11] 2117503.1M004

[15] 28-01-2021

[30] 17-12-2020 / EU / 008333256-0004

[51] Cl. 3-01

[54] 袋

Bag

[73] SOLMATE Ltd.

7 Sheynovo Str.,

Floor 6, 1504 Sofia,

Bulgaria

[74] CHINAHONGKONG IP LIMITED

3011, 30/F, Office Tower, Convention Plaza,

1 Harbour Road,

Hong Kong



[11] 2117503.1M005

[15] 28-01-2021

[30] 17-12-2020 / EU / 008333256-0005

[51] Cl. 3-01

[54] 袋
Bag

[73] SOLMATE Ltd.
7 Sheynovo Str.,
Floor 6, 1504 Sofia,
Bulgaria

[74] CHINAHONGKONG IP LIMITED
3011, 30/F, Office Tower, Convention Plaza,
1 Harbour Road,
Hong Kong



[11] 2117503.1M006

[15] 28-01-2021

[30] 17-12-2020 / EU / 008333256-0006

[51] Cl. 3-01

[54] 袋

Bag

[73] SOLMATE Ltd.

7 Sheynovo Str.,

Floor 6, 1504 Sofia,

Bulgaria

[74] CHINAHONGKONG IP LIMITED

3011, 30/F, Office Tower, Convention Plaza,

1 Harbour Road,

Hong Kong



[11] 2117503.1M007

[15] 28-01-2021

[30] 17-12-2020 / EU / 008333256-0007

[51] Cl. 3-01

[54] 袋

Bag

[73] SOLMATE Ltd.

7 Sheynovo Str.,

Floor 6, 1504 Sofia,

Bulgaria

[74] CHINAHONGKONG IP LIMITED

3011, 30/F, Office Tower, Convention Plaza,

1 Harbour Road,

Hong Kong



[11] 2117503.1M008

[15] 28-01-2021

[30] 17-12-2020 / EU / 008333256-0008

[51] Cl. 3-01

[54] 袋
Bag

[73] SOLMATE Ltd.
7 Sheynovo Str.,
Floor 6, 1504 Sofia,
Bulgaria

[74] CHINAHONGKONG IP LIMITED
3011, 30/F, Office Tower, Convention Plaza,
1 Harbour Road,
Hong Kong



[11] 2117504.3M001

[15] 28-01-2021

[30] 16-12-2020 / EU / 008323430-0001

[51] Cl. 2-04

[54] 鞋

Shoe

[73] SOLMATE Ltd.

7 Sheynovo Str.,

Floor 6, 1504 Sofia,

Bulgaria

[74] CHINAHONGKONG IP LIMITED

3011, 30/F, Office Tower, Convention Plaza,

1 Harbour Road,

Hong Kong



[11] 2117504.3M002

[15] 28-01-2021

[30] 16-12-2020 / EU / 008323430-0002

[51] Cl. 2-04

[54] 鞋

Shoe

[73] SOLMATE Ltd.

7 Sheynovo Str.,

Floor 6, 1504 Sofia,

Bulgaria

[74] CHINAHONGKONG IP LIMITED

3011, 30/F, Office Tower, Convention Plaza,

1 Harbour Road,

Hong Kong



[11] 2117504.3M003

[15] 28-01-2021

[30] 16-12-2020 / EU / 008323430-0003

[51] Cl. 2-04

[54] 鞋

Shoe

[73] SOLMATE Ltd.

7 Sheynovo Str.,

Floor 6, 1504 Sofia,

Bulgaria

[74] CHINAHONGKONG IP LIMITED

3011, 30/F, Office Tower, Convention Plaza,

1 Harbour Road,

Hong Kong



[11] 2117504.3M004

[15] 28-01-2021

[30] 16-12-2020 / EU / 008323430-0004

[51] Cl. 2-04

[54] 鞋

Shoe

[73] SOLMATE Ltd.

7 Sheynovo Str.,

Floor 6, 1504 Sofia,

Bulgaria

[74] CHINAHONGKONG IP LIMITED

3011, 30/F, Office Tower, Convention Plaza,

1 Harbour Road,

Hong Kong



[11] 2117504.3M005

[15] 28-01-2021

[30] 16-12-2020 / EU / 008323430-0005

[51] Cl. 2-04

[54] 鞋

Shoe

[73] SOLMATE Ltd.

7 Sheynovo Str.,

Floor 6, 1504 Sofia,

Bulgaria

[74] CHINAHONGKONG IP LIMITED

3011, 30/F, Office Tower, Convention Plaza,

1 Harbour Road,

Hong Kong



[11] 2117508.2

[15] 29-01-2021

[51] Cl. 14-01

[54] 數字音頻播放器

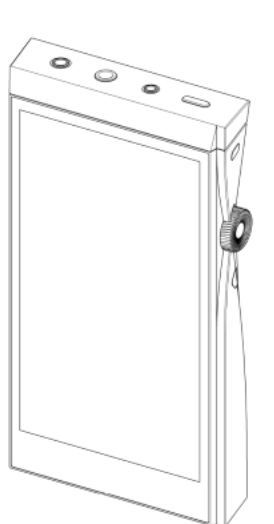
Digital audio player

[73] Dreamus Company

(Bangbae-dong)5, Bangbae-ro 18-gil,
Seocho-gu, Seoul,
Korea, Republic of

[74] Rouse & Co. International (Overseas) Limited

18/F., Golden Centre,
188 Des Voeux Road Central,
Hong Kong



[11] 2117509.4

[15] 29-01-2021

[30] 31-07-2020 / FR / 2020-3539

[51] Cl. 11-01

[54] 寶石

Precious stone

[73] LOUIS VUITTON MALLETIER

2 rue du Pont-Neuf,

75001 Paris,

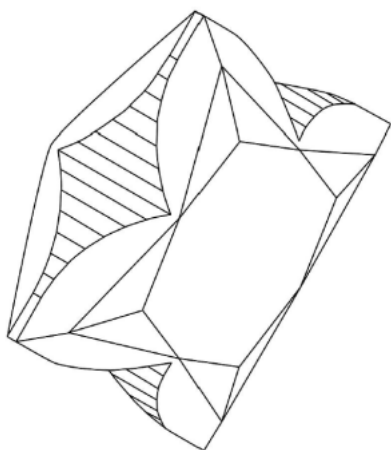
France

[74] BAKER & MCKENZIE

14th Floor, One Taikoo Place,

979 King's Road,

Quarry Bay, Hong Kong



[11] 2117510.6

[15] 29-01-2021

[30] 31-07-2020 / FR / 2020-3540

[51] Cl. 11-01

[54] 寶石

Precious stone

[73] LOUIS VUITTON MALLETIER

2 rue du Pont-Neuf,

75001 Paris,

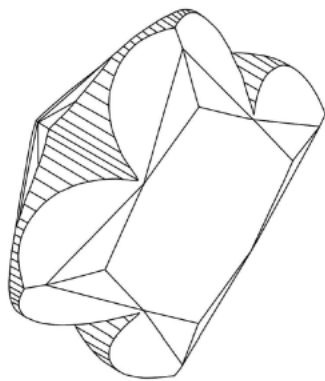
France

[74] BAKER & MCKENZIE

14th Floor, One Taikoo Place,

979 King's Road,

Quarry Bay, Hong Kong



[11] 2117514.4

[15] 29-01-2021

[30] 11-01-2021 / CN / 202130015685.8

[51] Cl. 13-02

[54] 磁吸式無線充電器

Magnetic attraction-type wireless charger

[73] 廣東高普達集團股份有限公司

GUANGDONG GOPOD GROUP HOLDING CO., LTD

中國內地

廣東省深圳市龍華新區大浪街道同勝社區華榮路

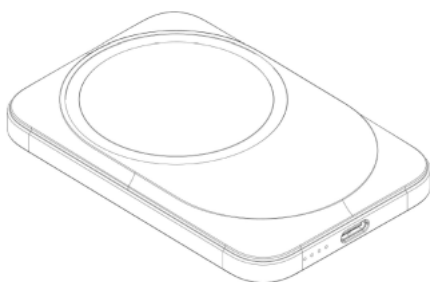
聯建科技工業園廠房 8 棟 4,5,6 樓

[74] 中一聯合國際知識產權有限公司

香港九龍

尖沙咀漆咸道南 45-51 號

其士大廈 803 室



[11] 2117515.7

[15] 29-01-2021

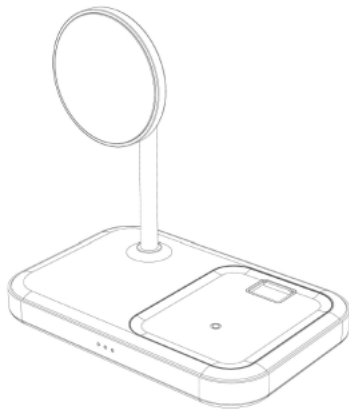
[30] 11-01-2021 / CN / 202130015621.8

[51] Cl. 13-02

[54] 磁吸式無線充電器
Magnetic attraction-type wireless charger

[73] 廣東高普達集團股份有限公司
GUANGDONG GOPOD GROUP HOLDING CO., LTD
中國內地
廣東省深圳市龍華新區大浪街道同勝社區華榮路
聯建科技工業園廠房 8 棟 4,5,6 樓

[74] 中一聯合國際知識產權有限公司
香港九龍
尖沙咀漆咸道南 45-51 號
其士大廈 803 室



[11] 2117516.9

[15] 29-01-2021

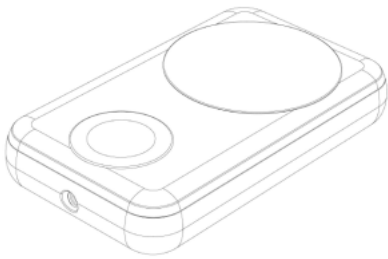
[30] 13-01-2021 / CN / 202130022635.2

[51] Cl. 13-02

[54] 無線充電移動電源
Wireless charging mobile power supply

[73] 前海駿達（深圳）股權投資有限公司
QIANHAI JUNDA (SHENZHEN) EQUITY INVESTMENT CO., LTD.
中國內地
廣東省深圳市龍華新區大浪街道同勝社區華榮路
聯建科技工業園廠房 8 棟 4,5,6 樓

[74] 中一聯合國際知識產權有限公司
香港九龍
尖沙咀漆咸道南 45-51 號
其士大廈 803 室



[11] 2117517.1M001

[15] 29-01-2021

[30] 20-08-2020 / CA, AM, AZ, BZ, BA, GE, LI, MK, MD, MC, MN, ME, MA, NO, OM, SG, CH, TN, TR, UA, GB, EU, AL, KG / DM/210 034

[51] Cl. 11-01

[54] 項鍊

Necklace

[73] Harry Winston SA

Chemin du Tourbillon 8,
CH-1228 Plan-les-Ouates,
Switzerland

[74] SPRUSON & FERGUSON (HONG KONG) LIMITED

5001 Hopewell Centre,
183 Queen's Road East,
Wan Chai, Hong Kong



[11] 2117517.1M002

[15] 29-01-2021

[30] 20-08-2020 / CA, AM, AZ, BZ, BA, GE, LI, MK, MD, MC, MN, ME, MA, NO, OM, SG, CH, TN, TR, UA, GB, EU, AL, KG / DM/210 034

[51] Cl. 11-01

[54] 項鍊

Necklace

- [73] Harry Winston SA
Chemin du Tourbillon 8,
CH-1228 Plan-les-Ouates,
Switzerland
- [74] SPRUSON & FERGUSON (HONG KONG) LIMITED
5001 Hopewell Centre,
183 Queen's Road East,
Wan Chai, Hong Kong



-
- [11] 2117517.1M003
- [15] 29-01-2021
- [30] 20-08-2020 / CA, AM, AZ, BZ, BA, GE, LI, MK, MD, MC, MN, ME,
MA, NO, OM, SG, CH, TN, TR, UA, GB, EU, AL, KG / DM/210 034
- [51] Cl. 11-01
- [54] 耳環
Earrings
- [73] Harry Winston SA
Chemin du Tourbillon 8,
CH-1228 Plan-les-Ouates,
Switzerland
- [74] SPRUSON & FERGUSON (HONG KONG) LIMITED
5001 Hopewell Centre,
183 Queen's Road East,
Wan Chai, Hong Kong



[11] 2117517.1M004

[15] 29-01-2021

[30] 20-08-2020 / CA, AM, AZ, BZ, BA, GE, LI, MK, MD, MC, MN, ME, MA, NO, OM, SG, CH, TN, TR, UA, GB, EU, AL, KG / DM/210 034

[51] Cl. 11-01

[54] 項鍊

Necklace

[73] Harry Winston SA

Chemin du Tourbillon 8,
CH-1228 Plan-les-Ouates,
Switzerland

[74] SPRUSON & FERGUSON (HONG KONG) LIMITED

5001 Hopewell Centre,
183 Queen's Road East,
Wan Chai, Hong Kong



[11] 2117519.5M001

[15] 01-02-2021

[51] Cl. 11-01

[54] 多功能香薰夾

Multifunctional aroma diffusing clip

[73] Eden Life Academy Limited

Rm 1501, 15/F, Prosperity Tower,

39 Queen's Road Central,

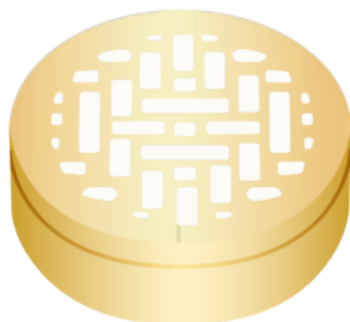
Hong Kong

[74] BKIP Limited

1/F,

169 Gloucester Road,

Wanchai, Hong Kong



[11] 2117519.5M002

[15] 01-02-2021

[51] Cl. 11-01

[54] 多功能香薰夾

Multifunctional aroma diffusing clip

[73] Eden Life Academy Limited

Rm 1501, 15/F, Prosperity Tower,

39 Queen's Road Central,

Hong Kong

[74] BKIP Limited

1/F,

169 Gloucester Road,

Wanchai, Hong Kong



[11] 2117521.9

[15] 01-02-2021

[51] Cl. 9-05

[54] 糖果餅點包裝紙

Wrapping paper for confectionery

[73] Binggrae Co., Ltd.

45, Dasansunhwan-ro,

Namyangju-si, Gyeonggi-do,

Korea, Republic of

[74] NTD PATENT & TRADE MARK AGENCY LIMITED

Units 1805-6, 18/F., Greenfield Tower,

Concordia Plaza,

No. 1 Science Museum Road,

Tsimshatsui East, Kowloon, Hong Kong



[11] 2117524.5M001

[15] 02-02-2021

[30] 28-08-2020 / CA, AM, AZ, BZ, BA, GE, LI, MK, MD, MC, MN, ME, MA, NO, OM, SG, CH, TN, TR, UA, GB, EU, AL, KG / DM/210 110

[51] Cl. 11-01

[54] 手鏈

Bracelet

[73] Harry Winston SA

Chemin du Tourbillon 8,
CH-1228 Plan-les-Ouates,
Switzerland

[74] SPRUSON & FERGUSON (HONG KONG) LIMITED

5001 Hopewell Centre,
183 Queen's Road East,
Wan Chai, Hong Kong



[11] 2117524.5M002

[15] 02-02-2021

[30] 28-08-2020 / CA, AM, AZ, BZ, BA, GE, LI, MK, MD, MC, MN, ME,
MA, NO, OM, SG, CH, TN, TR, UA, GB, EU, AL, KG / DM/210 110

[51] Cl. 11-01

[54] 項鍊

Necklace

[73] Harry Winston SA

Chemin du Tourbillon 8,
CH-1228 Plan-les-Ouates,
Switzerland

[74] SPRUSON & FERGUSON (HONG KONG) LIMITED

5001 Hopewell Centre,
183 Queen's Road East,
Wan Chai, Hong Kong



- [11] 2117524.5M003
[15] 02-02-2021
[30] 28-08-2020 / CA, AM, AZ, BZ, BA, GE, LI, MK, MD, MC, MN, ME,
MA, NO, OM, SG, CH, TN, TR, UA, GB, EU, AL, KG / DM/210 110
[51] Cl. 11-01
[54] 項鍊
Necklace
[73] Harry Winston SA
Chemin du Tourbillon 8,
CH-1228 Plan-les-Ouates,
Switzerland
[74] SPRUSON & FERGUSON (HONG KONG) LIMITED
5001 Hopewell Centre,
183 Queen's Road East,
Wan Chai, Hong Kong



-
- [11] 2117524.5M004
[15] 02-02-2021
[30] 28-08-2020 / CA, AM, AZ, BZ, BA, GE, LI, MK, MD, MC, MN, ME,
MA, NO, OM, SG, CH, TN, TR, UA, GB, EU, AL, KG / DM/210 110
[51] Cl. 11-01
[54] 項鍊
Necklace
[73] Harry Winston SA
Chemin du Tourbillon 8,
CH-1228 Plan-les-Ouates,
Switzerland
[74] SPRUSON & FERGUSON (HONG KONG) LIMITED
5001 Hopewell Centre,
183 Queen's Road East,
Wan Chai, Hong Kong



[11] 2117524.5M005

[15] 02-02-2021

[30] 28-08-2020 / CA, AM, AZ, BZ, BA, GE, LI, MK, MD, MC, MN, ME, MA, NO, OM, SG, CH, TN, TR, UA, GB, EU, AL, KG / DM/210 110

[51] Cl. 11-01

[54] 項鍊

Necklace

[73] Harry Winston SA

Chemin du Tourbillon 8,
CH-1228 Plan-les-Ouates,
Switzerland

[74] SPRUSON & FERGUSON (HONG KONG) LIMITED

5001 Hopewell Centre,
183 Queen's Road East,
Wan Chai, Hong Kong





香港特別行政區政府知識產權署外觀設計註冊處

The Government of the Hong Kong Special Administrative Region

Designs Registry, Intellectual Property Department

根據註冊外觀設計條例第 28 條，下列註冊外觀設計因未繳續期費而停止有效。

各組記項按註冊外觀設計停止有效日期及註冊編號先後次序排列。

Registered designs ceased through non-payment of renewal fees under section 28 of the Registered Designs Ordinance. Entries are listed below under their expiry dates.

31-12-2020 - 06-01-2021**31-12-2020**

1100001.5

06-01-2021

0600041.2M002

0600041.2M004

02-01-2021

0110014.2

1100032.0

1100034.4

1600014.7

03-01-2021

0110022.9

1600015.0

1600017.4

0110023.1

1600004.6M001

1600004.6M002

1600004.6M003

04-01-2021

1100015.5

1600005.9

1600008.5M001

1600008.5M002

1600008.5M003

1600008.5M004

1600008.5M005

1600008.5M007

1600008.5M008

1600008.5M009

1600008.5M010

1600008.5M011

1600008.5M012

1600008.5M013

1600008.5M014

05-01-2021

1100020.5

1600012.3



香港特別行政區政府知識產權署外觀設計註冊處

The Government of the Hong Kong Special Administrative Region

Designs Registry, Intellectual Property Department

根據註冊外觀設計規則第 31 條刪除的註冊外觀設計。各組記項按註冊外觀設計刪除日期及註冊編號先後次序排列。

Registered designs removed under section 31 of the Registered Designs Rules. Entries are listed below under their removal dates.

06-03-2021 - 11-03-2021

06-03-2021	1001216.1M005	1501442.4M002
1001200.7M001	1001222.3M001	1501447.5
1001200.7M002	1001222.3M002	1501448.7
1001200.7M003	1001223.5	1501449.9
1001201.9	1501428.5	1501451.3
1001210.8	1501429.7M001	
1001211.0	1501429.7M002	
1001212.2	1501430.9	
1501411.9M001	1501433.5	
1501411.9M002	1501434.7M001	
1501411.9M003	1501434.7M002	
1501411.9M004	1501437.4	
1501411.9M005	1501438.6	
1501412.1	1501440.0	
1501413.3	1501481.6M001	
	1501481.6M002	
07-03-2021	1501481.6M003	
1501420.8	1501481.6M004	
1501421.0		
1501422.2M001	11-03-2021	
1501422.2M005	0501604.7M001	
1501423.4	0501604.7M002	
	0501604.7M003	
09-03-2021	1001230.0M001	
0501591.8	1001230.0M002	
1001213.4	1001232.4M001	
	1001233.6M001	
10-03-2021	1001233.6M002	
0501598.3M001	1001233.6M003	
0501599.5M001	1001234.8M002	
1001216.1M001	1001235.1	
1001216.1M002	1501441.2M001	
1001216.1M003	1501441.2M002	
1001216.1M004	1501442.4M001	