

香港知識產權公報

Hong Kong Intellectual Property Journal

2019 年 4 月 26 日

26 April 2019



目錄

Contents

根據註冊外觀設計條例第 25 條註冊的外觀設計

Designs Registered under section 25 of the Registered Designs Ordinance

按註冊編號排列

Arranged by Registration Number

根據註冊外觀設計條例 (第 522 章) 公布的其他公告

Other Notices Published under the Registered Designs Ordinance (Cap. 522)

根據註冊外觀設計條例第 28 條，註冊外觀設計因未繳續期費而停止有效

Registered Designs Ceased through Non-payment of Renewal Fees under section 28 of the Registered Designs Ordinance

根據註冊外觀設計規則第 31 條刪除的註冊外觀設計

Registered Designs Removed under section 31 of the Registered Designs Rules

以下事項沒有記錄

No Records for the Following Matters

根據註冊外觀設計條例第 30 條放棄的外觀設計的註冊

Surrender of Registration of Design under section 30 of the Registered Designs Ordinance

根據註冊外觀設計規則第 37 條，向處長作出轉介

Reference to Registrar under section 37 of the Registered Designs Rules

根據註冊外觀設計條例第 45 條，撤銷註冊

Revocation of Registration under section 45 of the Registered Designs Ordinance

根據註冊外觀設計規則第 46 條，向法院作出轉介
Reference to Court under section 46 of the Registered Designs Rules

根據註冊外觀設計規則第 63 條對不符合規定之處作出糾正
Rectification of Irregularities under section 63 of the Registered Designs Rules

根據註冊外觀設計條例第 66 條，糾正註冊紀錄冊
Rectification of Register under section 66 of the Registered Designs Ordinance

根據註冊外觀設計條例第 67 條，更正註冊紀錄冊內的錯誤
Correction of Errors in Register under section 67 of the Registered Designs Ordinance

根據註冊外觀設計條例第 67 及 76 條，更正註冊紀錄冊內及已提交文件中的錯誤
Correction of Errors in Register and in Filed Documents under sections
67 and 76 of the Registered Designs Ordinance

根據註冊外觀設計條例第 76 條，更正已提交文件中的錯誤
Correction of Errors in Filed Documents under section 76 of the Registered Designs
Ordinance

勘誤
Corrigendum

註冊外觀設計公告註釋

Notes on advertisements of registration of designs

方括號表示下列資料：

Square brackets indicate the following data：

[11] 註冊編號 Registration number / 聯合王國註冊編號 United Kingdom registration number

[15] 註冊日期 Registration date / 當作註冊日期 Deemed registration date / 聯合王國註冊日期 United Kingdom registration date

[17] 註冊有效期屆滿日期 Expiry date of the period of registration

[22] 提交日期 Filing date / 當作提交日期 Deemed filing date / 聯合王國提交日期 United Kingdom filing date

[30] 聲稱享有的優先權 (提交日期 / 巴黎公約國或世界貿易組織成員 / 申請編號) Priority claimed (filing date / Paris Convention country or WTO member / application number)

[51] 國際外觀設計分類號 (洛迦諾分類號) International Classification of designs (Locarno Classification)

[54] 物品 Article

[55] 外觀設計的表述 Representation of the design

[62] 分開前的申請編號及提交日期 Application number before division and filing date

[66] 過往註冊的聯繫外觀設計註冊編號 / 日期 Registration No. / Date of Previous Registration for Association

[72] 設計人 Designer

[73] **擁有人姓名和地址** Name and address of the owner

[74] **代理人 Agent /送達地址** Address for service



香港特別行政區政府知識產權署外觀設計註冊處

The Government of the Hong Kong Special Administrative Region

Designs Registry, Intellectual Property Department

根據註冊外觀設計條例第 25 條註冊的外觀設計

Designs registered under section 25 of the Registered Designs Ordinance

按註冊編號排列

Arranged by Registration Number

[11] 1700870.3

[15] 08-05-2017

[51] Cl. 9-01

[54] 分配器

Dispenser

[73] Paul Jevens

The Hanger Company

Finnabair Ind. Park, Dundalk,

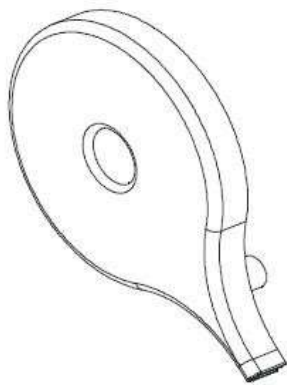
Co. Louth, Ireland

[74] Agaston Consultants Limited (Attention to Suky Yip)

Room D, 17/F Billion Plaza 2,

10 Cheung Yue Street, Lai Chi Kok,

Kowloon, Hong Kong



[11] 1801612.9

[15] 06-08-2018

[30] 03-07-2018 / CN / 201830351966.9

[51] Cl. 12-16

[54] 汽車排氣裝置

Exhaust pipe for vehicle

[73] 簡健生

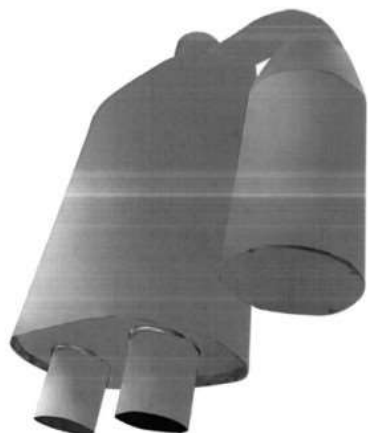
中國內地廣東省

廣州市番禺區 市橋街東

環路 185 號

[74] 郝傳鑫

香港新界 將軍澳日出康
城
領凱 9 座 19 樓 LD 室



[11] 1801613.1

[15] 06-08-2018

[30] 28-06-2018 / CN / 201830339284.6

[51] Cl. 14-01

[54] 藍牙播放器

Bluetooth player

[73] 深圳市雲動創想科技有限公司
中國內地廣東省深圳市南山區
粵海街道科技園科技路 9 號
螞蟻邦創業加速中心 616 單元

[74] 香港標準知識產權有限公司
香港中環
干諾道中 64 號
中華廠商會大廈 21 樓



[11] 1801614.3

[15] 06-08-2018

[30] 28-06-2018 / CN / 201830339357.1

[51] Cl. 14-01

- [54] 藍牙播放器
Bluetooth player
- [73] 深圳市雲動創想科技有限公司
中國內地廣東省深圳市南山區
粵海街道科技園科技路 9 號
螞蟻邦創業加速中心 616 單元
- [74] 香港標準知識產權有限公司
香港中環
干諾道中 64 號
中華廠商會大廈 21 樓



-
- [11] 1801736.2M001
- [15] 24-08-2018
- [51] Cl. 7-01
- [54] 火箭形吸管杯
Rocket shaped straw cup
- [73] 安裕發展有限公司
香港九龍
九龍灣常悅道 9 號
企業廣場 1 座 907 室
- [74] 安裕發展有限公司
香港九龍 九龍灣
常悅道 9 號
企業廣場 1 座 907 室



[11] 1801736.2M002

[15] 24-08-2018

[51] Cl. 7-01

[54] 城堡形吸管杯

Castle shaped straw cup

[73] 安裕發展有限公司

香港九龍

九龍灣常悅道 9 號

企業廣場 1 座 907 室

[74] 安裕發展有限公司

香港九龍 九龍灣

常悅道 9 號

企業廣場 1 座 907 室



[11] 1801736.2M003

[15] 24-08-2018

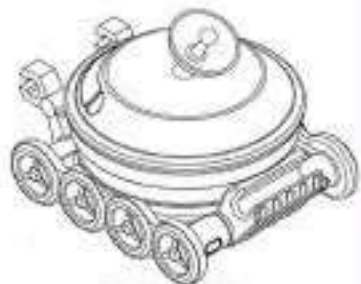
[51] Cl. 7-01

[54] 太空探索車形碗

Planetary rover shaped bowl

[73] 安裕發展有限公司
香港九龍 九龍灣
常悅道 9 號
企業廣場 1 座 907 室

[74] 安裕發展有限公司
香港九龍 九龍灣
常悅道 9 號
企業廣場 1 座 907 室



[11] 1801736.2M004

[15] 24-08-2018

[51] Cl. 7-01

[54] 公主馬車形碗
Princess carriage shaped bowl

[73] 安裕發展有限公司
香港九龍
九龍灣常悅道 9 號
企業廣場 1 座 907 室

[74] 安裕發展有限公司
香港九龍 九龍灣
常悅道 9 號
企業廣場 1 座 907 室



[11] 1801737.4

[15] 24-08-2018

[30] 16-05-2018 / CN / 201830224591.X

[51] Cl. 25-02

[54] 水馬

Water barrier

[73] 陳小星

中國內地浙江省

台州市溫嶺市場根鎮 小塢

根村 328 號

[74] 環球知識產權代理有限公司

香港九龍尖沙咀東

麼地道 62 號

永安廣場 12 樓 1213 室



[11] 1801738.6

[15] 24-08-2018

[30] 12-05-2018 / CN / 201830216299.3

[51] Cl. 25-02

[54] 水馬

Water barrier

[73] 陳小星

中國內地浙江省

台州市溫嶺市場根鎮 小塢

根村 328 號

[74] 環球知識產權代理有限公司

香港九龍尖沙咀東

麼地道 62 號

永安廣場 12 樓 1213 室



[11] 1801755.2M001

[15] 27-08-2018

[30] 27-02-2018 / EM / 004728186

[51] Cl. 28-03

[54] 剃鬚器手柄

Handle for shaver

[73] Koninklijke Philips N.V.

High Tech Campus 5,

5656 AE, Eindhoven,

NETHERLANDS

[74] Wilkinson & Grist

6th Floor, Prince's Building,

Chater Road,

Hong Kong.



[11] 1801755.2M002

[15] 27-08-2018

[30] 27-02-2018 / EM / 004728186

[51] Cl. 28-03

[54] 剃鬚器手柄

Handle for shaver

[73] Koninklijke Philips N.V.
High Tech Campus 5,
5656 AE, Eindhoven,
NETHERLANDS

[74] Wilkinson & Grist
6th Floor, Prince's Building,
Chater Road,
Hong Kong.



[11] 1801755.2M003

[15] 27-08-2018

[30] 27-02-2018 / EM / 004728186

[51] Cl. 28-03

[54] 剃鬚器手柄

Handle for shaver

[73] Koninklijke Philips N.V.
High Tech Campus 5,
5656 AE, Eindhoven,
NETHERLANDS

[74] Wilkinson & Grist
6th Floor, Prince's Building,
Chater Road,
Hong Kong.



[11] 1801755.2M004

[15] 27-08-2018

[30] 27-02-2018 / EM / 004728186

[51] Cl. 28-03

[54] 剃鬚器手柄

Handle for shaver

[73] Koninklijke Philips N.V.

High Tech Campus 5,

5656 AE, Eindhoven,

NETHERLANDS

[74] Wilkinson & Grist

6th Floor, Prince's Building,

Chater Road,

Hong Kong.



[11] 1801756.4M001

[15] 27-08-2018

[30] 27-02-2018 / EM / 004727840

[51] Cl. 28-03

[54] 用於剃鬚器的充電器

Charger for shaver

[73] Koninklijke Philips N.V.

High Tech Campus 5,

5656 AE Eindhoven,

NETHERLANDS

[74] Wilkinson & Grist

6th Floor, Prince's Building,

Chater Road,

Hong Kong.



[11] 1801756.4M002

[15] 27-08-2018

[30] 27-02-2018 / EM / 004727840

[51] Cl. 28-03

[54] 用於剃鬚器的充電器

Charger for shaver

[73] Koninklijke Philips N.V.

High Tech Campus 5,

5656 AE Eindhoven,

NETHERLANDS

[74] Wilkinson & Grist

6th Floor, Prince's Building,

Chater Road,

Hong Kong.



[11] 1801761.4M001

[15] 27-08-2018

[30] 19-03-2018 / EM, AZ, MC, AL, AM, BZ, GE, BA, LI, MN, ME, MA,
NO, OM, MD, SG, CH, TN, UA, TR, KG, MK / DM/100 324

[51] Cl. 19-06

[54] 簽名機器

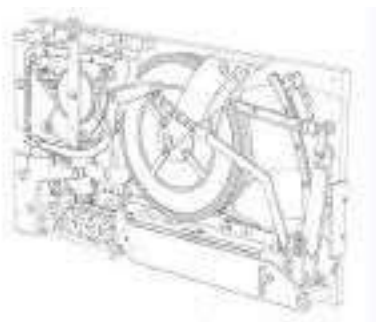
Signing machine

[73] MONTRES JAQUET DROZ SA (MONTRES JAQUET DROZ AG) (MONTRES JAQUET DROZ LTD.)

Allée du Tourbillon 2,
CH-2300 La Chaux-de-Fonds,
SWITZERLAND

[74] Spruson & Ferguson (Hong Kong) Limited

5001 Hopewell Centre,
183 Queen's Road East,
Hong Kong.



[11] 1801761.4M002

[15] 27-08-2018

[30] 19-03-2018 / EM, AZ, MC, AL, AM, BZ, GE, BA, LI, MN, ME, MA,
NO, OM, MD, SG, CH, TN, UA, TR, KG, MK / DM/100 324

[51] Cl. 19-06

[54] 簽名機器

Signing machine

[73] MONTRES JAQUET DROZ SA (MONTRES JAQUET DROZ AG) (MONTRES JAQUET DROZ LTD.)

Allée du Tourbillon 2,
CH-2300 La Chaux-de-Fonds,
SWITZERLAND

[74] Spruson & Ferguson (Hong Kong) Limited

5001 Hopewell Centre,
183 Queen's Road East,
Hong Kong.



- [11] 1801762.6M001
[15] 27-08-2018
[30] 14-03-2018 / EM, AZ, MC, AL, AM, BZ, GE, BA, LI, MN, ME, MA,
NO, OM, MD, SG, CH, TN, UA, TR, KG, MK / DM/100 318
[51] Cl. 10-07
[54] 錶殼
Watch case
[73] MONTRES JAQUET DROZ SA (MONTRES JAQUET DROZ AG) (MONTRES
JAQUET DROZ LTD.)
Allée du Tourbillon 2,
CH-2300 La Chaux-de-Fonds,
SWITZERLAND
[74] Spruson & Ferguson (Hong Kong) Limited
5001 Hopewell Centre,
183 Queen's Road East,
Hong Kong.



-
- [11] 1801762.6M002
[15] 27-08-2018
[30] 14-03-2018 / EM, AZ, MC, AL, AM, BZ, GE, BA, LI, MN, ME, MA,
NO, OM, MD, SG, CH, TN, UA, TR, KG, MK / DM/100 318
[51] Cl. 10-07
[54] 錶殼
Watch case
[73] MONTRES JAQUET DROZ SA (MONTRES JAQUET DROZ AG) (MONTRES
JAQUET DROZ LTD.)
Allée du Tourbillon 2,
CH-2300 La Chaux-de-Fonds,
SWITZERLAND
[74] Spruson & Ferguson (Hong Kong) Limited
5001 Hopewell Centre,
183 Queen's Road East,
Hong Kong.



[11] 1801762.6M003

[15] 27-08-2018

[30] 14-03-2018 / EM, AZ, MC, AL, AM, BZ, GE, BA, LI, MN, ME, MA,
NO, OM, MD, SG, CH, TN, UA, TR, KG, MK / DM/100 318

[51] Cl. 10-07

[54] 錶面
Dial

[73] MONTRES JAQUET DROZ SA (MONTRES JAQUET DROZ AG) (MONTRES
JAQUET DROZ LTD.)
Allée du Tourbillon 2,
CH-2300 La Chaux-de-Fonds,
SWITZERLAND

[74] Spruson & Ferguson (Hong Kong) Limited
5001 Hopewell Centre,
183 Queen's Road East,
Hong Kong.



[11] 1801762.6M004

[15] 27-08-2018

[30] 14-03-2018 / EM, AZ, MC, AL, AM, BZ, GE, BA, LI, MN, ME, MA,
NO, OM, MD, SG, CH, TN, UA, TR, KG, MK / DM/100 318

[51] Cl. 10-07

[54] 錶面

Dial

[73] MONTRES JAQUET DROZ SA (MONTRES JAQUET DROZ AG) (MONTRES
JAQUET DROZ LTD.)

Allée du Tourbillon 2,
CH-2300 La Chaux-de-Fonds,
SWITZERLAND

[74] Spruson & Ferguson (Hong Kong) Limited

5001 Hopewell Centre,
183 Queen's Road East,
Hong Kong.



[11] 1801765.3

[15] 28-08-2018

[51] Cl. 6-09

[54] 充氣旅行用枕

Inflatable travel pillow

[73] 廣東商旅寶健康科技有限公司

中國內地廣東省東莞市
東城街道立新舊錫邊村 榮
達工業園 C 棟二樓

[74] 香港紅盾知識產權申請代理所

香港九龍旺角
亞皆老街 16 號
旺角商業大廈 20 樓 2001 室



[11] 1801768.9

[15] 29-08-2018

[30] 28-06-2018 / CN / 201830339400.4

[51] Cl. 14-03

[54] 智能收音機連藍牙音箱

Smart radio with bluetooth speaker

[73] 深圳市雲動創想科技有限公司

中國內地廣東省深圳市南山區

粵海街道科技園科技路 9 號

螞蟻邦創業加速中心 616 單元

[74] 香港標準知識產權有限公司

香港中環

干諾道中 64 號

中華廠商會大廈 21 樓



[11] 1801769.1

[15] 29-08-2018

[30] 23-04-2018 / EM, JP, NO, SG, CH / DM/100 857

[51] Cl. 10-04

[54] 電子秤

Electronic scale

[73] Pi-Design AG

Kantonsstrasse 100,

CH-6234 Triengen,

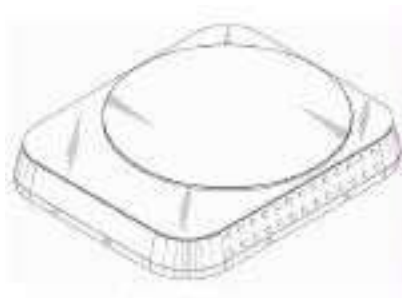
SWITZERLAND

[74] WENPING & CO.

1701 Tung Wai Commercial Building,

111 Gloucester Road,

Hong Kong.



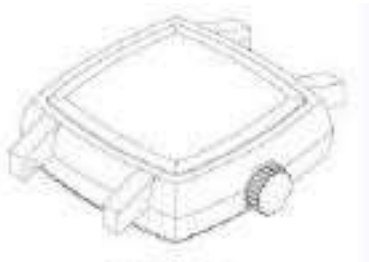
-
- [11] 1801772.7
 - [15] 30-08-2018
 - [30] 19-03-2018 / EM, AZ, AL, AM, BZ, GE, BA, LI, MN, ME, MA, OM, MD, SG, CH, TN, TR, KG, MK / DM/100 325
 - [51] Cl. 10-07
 - [54] 錶面
Dial
 - [73] TISSOT SA (TISSOT AG) (TISSOT LTD)
Chemin des Tourelles 17,
CH-2400 Le Locle,
SWITZERLAND
 - [74] Spruson & Ferguson (Hong Kong) Limited
5001 Hopewell Centre,
183 Queen's Road East,
Hong Kong.



-
- [11] 1801773.9M001
 - [15] 30-08-2018
 - [30] 06-03-2018 / EM, AZ, AL, AM, BZ, GE, BA, LI, MN, ME, MA, OM, MD, SG, CH, TN, TR, KG, MK / DM/100 186
 - [51] Cl. 10-07
 - [54] 錶殼
Watch case

[73] TISSOT SA (TISSOT AG) (TISSOT LTD)
Chemin des Tourelles 17,
CH-2400 Le Locle,
SWITZERLAND

[74] Spruson & Ferguson (Hong Kong) Limited
5001 Hopewell Centre,
183 Queen's Road East,
Hong Kong.



[11] 1801773.9M002

[15] 30-08-2018

[30] 06-03-2018 / EM, AZ, AL, AM, BZ, GE, BA, LI, MN, ME, MA, OM,
MD, SG, CH, TN, TR, KG, MK / DM/100 186

[51] Cl. 10-07

[54] 錶面
Dial

[73] TISSOT SA (TISSOT AG) (TISSOT LTD)
Chemin des Tourelles 17,
CH-2400 Le Locle,
SWITZERLAND

[74] Spruson & Ferguson (Hong Kong) Limited
5001 Hopewell Centre,
183 Queen's Road East,
Hong Kong.



[11] 1801773.9M003

[15] 30-08-2018

[30] 06-03-2018 / EM, AZ, AL, AM, BZ, GE, BA, LI, MN, ME, MA, OM,
MD, SG, CH, TN, TR, KG, MK / DM/100 186

[51] Cl. 10-07

[54] 錶面
Dial

[73] TISSOT SA (TISSOT AG) (TISSOT LTD)
Chemin des Tourelles 17,
CH-2400 Le Locle,
SWITZERLAND

[74] Spruson & Ferguson (Hong Kong) Limited
5001 Hopewell Centre,
183 Queen's Road East,
Hong Kong.



[11] 1801774.1M001

[15] 30-08-2018

[30] 09-03-2018 / CN / 201830088113.0

[51] Cl. 23-04

[54] 空調面板
Panel for air-conditioner

[73] Daikin Kohgyo Kabushiki Gaisha (Daikin Industries Ltd.)
Umeda Center Building,
4-12 Nakazaki-Nishi 2-chome,
Kita-ku, Osaka-shi, Osaka-fu, JAPAN

[74] MARKS & CLERK
Level 9, Cyberport 1,
100 Cyberport Road,
Pok Fu Lam, Hong Kong.



[11] 1801774.1M002

[15] 30-08-2018

[30] 09-03-2018 / CN / 201830088113.0

[51] Cl. 23-04

[54] 空調面板

Panel for air-conditioner

[73] Daikin Kohgyo Kabushiki Gaisha (Daikin Industries Ltd.)

Umeda Center Building,

4-12 Nakazaki-Nishi 2-chome,

Kita-ku, Osaka-shi, Osaka-fu, JAPAN

[74] MARKS & CLERK

Level 9, Cyberport 1,

100 Cyberport Road,

Pok Fu Lam, Hong Kong.



[11] 1801775.4

[15] 30-08-2018

[30] 09-03-2018 / CN / 201830088113.0

[51] Cl. 23-04

[54] 抽濕機面板

Panel for dehumidifier

[73] Daikin Kohgyo Kabushiki Gaisha (Daikin Industries Ltd.)

Umeda Center Building,

4-12 Nakazaki-Nishi 2-chome,

Kita-ku, Osaka-shi, Osaka-fu, JAPAN

[74] MARKS & CLERK

Level 9, Cyberport 1,

100 Cyberport Road,

Pok Fu Lam, Hong Kong.



[11] 1801776.6

[15] 30-08-2018

[51] Cl. 3-01

[54] 袋

Bag

[73] CELINE

16 rue Vivienne 75002 Paris,
FRANCE

[74] Baker & McKenzie

14F Hutchison House,
10 Harcourt Road,
Hong Kong.



[11] 1801777.8

[15] 30-08-2018

[51] Cl. 8-07

[54] 扣子

Clasp

[73] CELINE

16 rue Vivienne 75002 Paris,
FRANCE

[74] Baker & McKenzie

14F Hutchison House,
10 Harcourt Road,
Hong Kong.



[11] 1801778.0

[15] 30-08-2018

[51] Cl. 11-01

[54] 小飾物

Charm

[73] CELINE

16 rue Vivienne 75002 Paris,
FRANCE

[74] Baker & McKenzie

14F Hutchison House,
10 Harcourt Road,
Hong Kong.



[11] 1801781.6

[15] 31-08-2018

[30] 20-03-2018 / EM, MC, EG, MA, OM, SG, CH, UA, TR / DM/101 532

[51] Cl. 10-02

[54] 錶

Watch

[73] De Grisogono SA

Chemin du Champ-des-Filles 39,

1228 Plan-les-Ouates,
SWITZERLAND

- [74] ATL Law Offices
16/F., China Hong Kong Tower,
8-12 Hennessy Road, Wanchai,
Hong Kong.



-
- [11] 1801784.2
[15] 31-08-2018
[30] 19-03-2018 / EM, AZ, MC, AL, AM, BZ, GE, BA, LI, MN, ME, MA,
NO, OM, MD, SG, CH, TN, UA, TR, KG, MK / DM/102 154
[51] Cl. 17-05
[54] 哨子裝置
Whistle apparatus
[73] MONTRES JAQUET DROZ SA (MONTRES JAQUET DROZ AG) (MONTRES
JAQUET DROZ LTD.)
Allée du Tourbillon 2,
CH-2300 La Chaux-de-Fonds,
SWITZERLAND
[74] Spruson & Ferguson (Hong Kong) Limited
5001 Hopewell Centre,
183 Queen's Road East,
Hong Kong.



-
- [11] 1801785.5
[15] 31-08-2018

[30] 09-04-2018 / EM, AL, MA, NO, OM, SG, CH, TN, UA, TR / DM/100
578

[51] Cl. 10-02

[54] 手錶

Wristwatch

[73] SWATCH AG (SWATCH SA) (SWATCH LTD.)

Jakob-Stämpfli-Strasse 94,

CH-2502 Biel/Bienne,

SWITZERLAND

[74] Spruson & Ferguson (Hong Kong) Limited

5001 Hopewell Centre,

183 Queen's Road East,

Hong Kong.



[11] 1801786.7M001

[15] 31-08-2018

[30] 14-03-2018 / EM, MC, EG, MA, OM, SG, CH, UA, TR / DM/101 336

[51] Cl. 11-01

[54] 手鐲

Bracelet

[73] De Grisogono SA

Chemin du Champ-des-Filles 39,

1228 Plan-les-Ouates,

SWITZERLAND

[74] ATL Law Offices

16/F., China Hong Kong Tower,

8-12 Hennessy Road, Wanchai,

Hong Kong.



[11] 1801786.7M002

[15] 31-08-2018

[30] 14-03-2018 / EM, MC, EG, MA, OM, SG, CH, UA, TR / DM/101 336

[51] Cl. 11-01

[54] 戒指
Ring

[73] De Grisogono SA
Chemin du Champ-des-Filles 39,
1228 Plan-les-Ouates,
SWITZERLAND

[74] ATL Law Offices
16/F., China Hong Kong Tower,
8-12 Hennessy Road, Wanchai,
Hong Kong.



[11] 1801786.7M003

[15] 31-08-2018

[30] 14-03-2018 / EM, MC, EG, MA, OM, SG, CH, UA, TR / DM/101 336

[51] Cl. 11-01

[54] 耳環
Earrings

[73] De Grisogono SA
Chemin du Champ-des-Filles 39,
1228 Plan-les-Ouates,
SWITZERLAND

[74] ATL Law Offices
16/F., China Hong Kong Tower,
8-12 Hennessy Road, Wanchai,
Hong Kong.



[11] 1801786.7M004

[15] 31-08-2018

[30] 14-03-2018 / EM, MC, EG, MA, OM, SG, CH, UA, TR / DM/101 336

[51] Cl. 11-01

[54] 手鐲

Bracelet

[73] De Grisogono SA

Chemin du Champ-des-Filles 39,

1228 Plan-les-Ouates,

SWITZERLAND

[74] ATL Law Offices

16/F., China Hong Kong Tower,

8-12 Hennessy Road, Wanchai,

Hong Kong.



[11] 1801786.7M005

[15] 31-08-2018

[30] 14-03-2018 / EM, MC, EG, MA, OM, SG, CH, UA, TR / DM/101 336

[51] Cl. 11-01

[54] 手鐲

Bracelet

[73] De Grisogono SA

Chemin du Champ-des-Filles 39,

1228 Plan-les-Ouates,

SWITZERLAND

[74] ATL Law Offices

16/F., China Hong Kong Tower,

8-12 Hennessy Road, Wanchai,
Hong Kong.



[11] 1801788.1M001

[15] 31-08-2018

[30] 09-04-2018 / EM, AL, MA, NO, OM, SG, CH, TN, UA, TR / DM/100
577

[51] Cl. 10-02

[54] 手錶

Wristwatch

[73] SWATCH AG (SWATCH SA) (SWATCH LTD.)

Jakob-Stämpfli-Strasse 94,

CH-2502 Biel/Bienne,

SWITZERLAND

[74] Spruson & Ferguson (Hong Kong) Limited

5001 Hopewell Centre,

183 Queen's Road East,

Hong Kong.



[11] 1801788.1M002

[15] 31-08-2018

[30] 09-04-2018 / EM, AL, MA, NO, OM, SG, CH, TN, UA, TR / DM/100
577

[51] Cl. 10-02

[54] 手錶

Wristwatch

[73] SWATCH AG (SWATCH SA) (SWATCH LTD.)

Jakob-Stämpfli-Strasse 94,

CH-2502 Biel/Bienne,
SWITZERLAND

- [74] Spruson & Ferguson (Hong Kong) Limited
5001 Hopewell Centre,
183 Queen's Road East,
Hong Kong.



-
- [11] 1801788.1M003
[15] 31-08-2018
[30] 09-04-2018 / EM, AL, MA, NO, OM, SG, CH, TN, UA, TR / DM/100
577
[51] Cl. 10-02
[54] 手錶
Wristwatch
[73] SWATCH AG (SWATCH SA) (SWATCH LTD.)
Jakob-Stämpfli-Strasse 94,
CH-2502 Biel/Bienne,
SWITZERLAND
[74] Spruson & Ferguson (Hong Kong) Limited
5001 Hopewell Centre,
183 Queen's Road East,
Hong Kong.



-
- [11] 1801788.1M004
[15] 31-08-2018
[30] 09-04-2018 / EM, AL, MA, NO, OM, SG, CH, TN, UA, TR / DM/100
577
[51] Cl. 10-02
[54] 手錶
Wristwatch
[73] SWATCH AG (SWATCH SA) (SWATCH LTD.)
Jakob-Stämpfli-Strasse 94,
CH-2502 Biel/Bienne,
SWITZERLAND

- [74] Spruson & Ferguson (Hong Kong) Limited
5001 Hopewell Centre,
183 Queen's Road East,
Hong Kong.



-
- [11] 1801788.1M005
[15] 31-08-2018
[30] 09-04-2018 / EM, AL, MA, NO, OM, SG, CH, TN, UA, TR / DM/100
577
[51] Cl. 10-02
[54] 手錶
Wristwatch
[73] SWATCH AG (SWATCH SA) (SWATCH LTD.)
Jakob-Stämpfli-Strasse 94,
CH-2502 Biel/Bienne,
SWITZERLAND
[74] Spruson & Ferguson (Hong Kong) Limited
5001 Hopewell Centre,
183 Queen's Road East,
Hong Kong.



-
- [11] 1801789.3
[15] 31-08-2018
[30] 02-03-2018 / EM, JP, KR / 6600701
[51] Cl. 3-01
[54] 手袋
Handbag
[73] BALENCIAGA
40 rue de Sèvres,
75007 Paris,
FRANCE
[74] Deacons
5th Floor,
Alexandra House,
Central, Hong Kong.



-
- [11] 1801790.5
[15] 31-08-2018
[30] 02-03-2018 / EM, JP / 6600801
[51] Cl. 2-04
Cl. 2-02
[54] 服裝和鞋類用的圖案
Pattern for garments and footwear
[73] BALENCIAGA
40 rue de Sèvres,
75007 Paris,
FRANCE
[74] Deacons
5th Floor,
Alexandra House,
Central, Hong Kong.



-
- [11] 1801792.9
[15] 31-08-2018
[30] 02-03-2018 / EM, JP / 6600801
[51] Cl. 5-05
[54] 用於紡織纖維製品的圖案
Pattern for textile fabrics
[73] BALENCIAGA
40 rue de Sèvres,

75007 Paris,
FRANCE

- [74] Deacons
5th Floor,
Alexandra House,
Central, Hong Kong.



[11] 1801794.3M001

[15] 31-08-2018

[30] 09-04-2018 / EM, AL, MA, NO, OM, SG, CH, TN, UA, TR / DM/100
576

[51] Cl. 10-02

[54] 手錶

Wristwatch

[73] SWATCH AG (SWATCH SA) (SWATCH LTD.)

Jakob-Stämpfli-Strasse 94,

CH-2502 Biel/Bienne,

SWITZERLAND

[74] Spruson & Ferguson (Hong Kong) Limited

5001 Hopewell Centre,

183 Queen's Road East,

Hong Kong.



[11] 1801794.3M002

[15] 31-08-2018

[30] 09-04-2018 / EM, AL, MA, NO, OM, SG, CH, TN, UA, TR / DM/100
576

[51] Cl. 10-02

[54] 手錶

Wristwatch

[73] SWATCH AG (SWATCH SA) (SWATCH LTD.)
Jakob-Stämpfli-Strasse 94,
CH-2502 Biel/Bienne,
SWITZERLAND

[74] Spruson & Ferguson (Hong Kong) Limited
5001 Hopewell Centre,
183 Queen's Road East,
Hong Kong.



[11] 1801794.3M003

[15] 31-08-2018

[30] 09-04-2018 / EM, AL, MA, NO, OM, SG, CH, TN, UA, TR / DM/100
576

[51] Cl. 10-02

[54] 手錶

Wristwatch

[73] SWATCH AG (SWATCH SA) (SWATCH LTD.)
Jakob-Stämpfli-Strasse 94,
CH-2502 Biel/Bienne,
SWITZERLAND

[74] Spruson & Ferguson (Hong Kong) Limited
5001 Hopewell Centre,
183 Queen's Road East,
Hong Kong.



[11] 1801794.3M004

[15] 31-08-2018

[30] 09-04-2018 / EM, AL, MA, NO, OM, SG, CH, TN, UA, TR / DM/100
576

[51] Cl. 10-02

[54] 手錶

Wristwatch

[73] SWATCH AG (SWATCH SA) (SWATCH LTD.)
Jakob-Stämpfli-Strasse 94,

CH-2502 Biel/Bienne,
SWITZERLAND

- [74] Spruson & Ferguson (Hong Kong) Limited
5001 Hopewell Centre,
183 Queen's Road East,
Hong Kong.



-
- [11] 1801794.3M005

- [15] 31-08-2018

- [30] 09-04-2018 / EM, AL, MA, NO, OM, SG, CH, TN, UA, TR / DM/100
576

- [51] Cl. 10-02

- [54] 手錶

Wristwatch

- [73] SWATCH AG (SWATCH SA) (SWATCH LTD.)
Jakob-Stämpfli-Strasse 94,
CH-2502 Biel/Bienne,
SWITZERLAND

- [74] Spruson & Ferguson (Hong Kong) Limited
5001 Hopewell Centre,
183 Queen's Road East,
Hong Kong.



-
- [11] 1801794.3M006

- [15] 31-08-2018

- [30] 09-04-2018 / EM, AL, MA, NO, OM, SG, CH, TN, UA, TR / DM/100
576

- [51] Cl. 10-02

- [54] 手錶

Wristwatch

- [73] SWATCH AG (SWATCH SA) (SWATCH LTD.)
Jakob-Stämpfli-Strasse 94,
CH-2502 Biel/Bienne,
SWITZERLAND

- [74] Spruson & Ferguson (Hong Kong) Limited
5001 Hopewell Centre,
183 Queen's Road East,
Hong Kong.



-
- [11] 1801794.3M007
[15] 31-08-2018
[30] 09-04-2018 / EM, AL, MA, NO, OM, SG, CH, TN, UA, TR / DM/100
576
[51] Cl. 10-02
[54] 手錶
Wristwatch
[73] SWATCH AG (SWATCH SA) (SWATCH LTD.)
Jakob-Stämpfli-Strasse 94,
CH-2502 Biel/Bienne,
SWITZERLAND
[74] Spruson & Ferguson (Hong Kong) Limited
5001 Hopewell Centre,
183 Queen's Road East,
Hong Kong.



-
- [11] 1801794.3M008
[15] 31-08-2018
[30] 09-04-2018 / EM, AL, MA, NO, OM, SG, CH, TN, UA, TR / DM/100
576
[51] Cl. 10-02
[54] 手錶
Wristwatch
[73] SWATCH AG (SWATCH SA) (SWATCH LTD.)
Jakob-Stämpfli-Strasse 94,
CH-2502 Biel/Bienne,
SWITZERLAND
[74] Spruson & Ferguson (Hong Kong) Limited
5001 Hopewell Centre,

183 Queen's Road East,
Hong Kong.



[11] 1801794.3M009

[15] 31-08-2018

[30] 09-04-2018 / EM, AL, MA, NO, OM, SG, CH, TN, UA, TR / DM/100
576

[51] Cl. 10-02

[54] 手錶

Wristwatch

[73] SWATCH AG (SWATCH SA) (SWATCH LTD.)

Jakob-Stämpfli-Strasse 94,

CH-2502 Biel/Bienne,

SWITZERLAND

[74] Spruson & Ferguson (Hong Kong) Limited

5001 Hopewell Centre,

183 Queen's Road East,

Hong Kong.



[11] 1801794.3M010

[15] 31-08-2018

[30] 09-04-2018 / EM, AL, MA, NO, OM, SG, CH, TN, UA, TR / DM/100
576

[51] Cl. 10-02

[54] 手錶

Wristwatch

[73] SWATCH AG (SWATCH SA) (SWATCH LTD.)

Jakob-Stämpfli-Strasse 94,

CH-2502 Biel/Bienne,

SWITZERLAND

[74] Spruson & Ferguson (Hong Kong) Limited

5001 Hopewell Centre,

183 Queen's Road East,

Hong Kong.



[11] 1801794.3M011

[15] 31-08-2018

[30] 09-04-2018 / EM, AL, MA, NO, OM, SG, CH, TN, UA, TR / DM/100
576

[51] Cl. 10-02

[54] 手錶

Wristwatch

[73] SWATCH AG (SWATCH SA) (SWATCH LTD.)

Jakob-Stämpfli-Strasse 94,

CH-2502 Biel/Bienne,

SWITZERLAND

[74] Spruson & Ferguson (Hong Kong) Limited

5001 Hopewell Centre,

183 Queen's Road East,

Hong Kong.



[11] 1801799.4

[15] 03-09-2018

[51] Cl. 9-08

[54] 貨盤

Pallet

[73] 格奧爾格·烏茨控股股份公司

Georg UTZ Holding AG

Augraben 2-4 5620 Bremgarten,

SWITZERLAND

[74] MARKS & CLERK

Level 9, Cyberport 1,

100 Cyberport Road,

Pok Fu Lam, Hong Kong.



[11] 1801800.8

[15] 03-09-2018

[30] 19-03-2018 / EM, AZ, MC, AL, AM, BZ, GE, BA, LI, MN, ME, MA,
NO, OM, MD, SG, CH, TN, UA, TR, KG, MK / DM/102 155

[51] Cl. 11-02

[54] 自動機

Automaton

[73] MONTRES JAQUET DROZ SA (MONTRES JAQUET DROZ AG) (MONTRES
JAQUET DROZ LTD.)

Allée du Tourbillon 2,
CH-2300 La Chaux-de-Fonds,
SWITZERLAND

[74] Spruson & Ferguson (Hong Kong) Limited

5001 Hopewell Centre,
183 Queen's Road East,
Hong Kong.



[11] 1801801.0M001

[15] 03-09-2018

[30] 11-04-2018 / EM, AL, MA, NO, OM, SG, CH, TN, UA, TR / DM/100
638

[51] Cl. 10-02

[54] 手錶

Wristwatch

[73] SWATCH AG (SWATCH SA) (SWATCH LTD.)
Jakob-Stämpfli-Strasse 94,
CH-2502 Biel/Bienne,
SWITZERLAND

[74] Spruson & Ferguson (Hong Kong) Limited
5001 Hopewell Centre,
183 Queen's Road East,
Hong Kong.



[11] 1801801.0M002

[15] 03-09-2018

[30] 11-04-2018 / EM, AL, MA, NO, OM, SG, CH, TN, UA, TR / DM/100
638

[51] Cl. 10-02

[54] 手錶

Wristwatch

[73] SWATCH AG (SWATCH SA) (SWATCH LTD.)
Jakob-Stämpfli-Strasse 94,
CH-2502 Biel/Bienne,
SWITZERLAND

[74] Spruson & Ferguson (Hong Kong) Limited
5001 Hopewell Centre,
183 Queen's Road East,
Hong Kong.



[11] 1801801.0M003

[15] 03-09-2018

[30] 11-04-2018 / EM, AL, MA, NO, OM, SG, CH, TN, UA, TR / DM/100
638

[51] Cl. 10-02

[54] 手錶

Wristwatch

[73] SWATCH AG (SWATCH SA) (SWATCH LTD.)

Jakob-Stämpfli-Strasse 94,

CH-2502 Biel/Bienne,

SWITZERLAND

[74] Spruson & Ferguson (Hong Kong) Limited

5001 Hopewell Centre,

183 Queen's Road East,

Hong Kong.



[11] 1801801.0M004

[15] 03-09-2018

[30] 11-04-2018 / EM, AL, MA, NO, OM, SG, CH, TN, UA, TR / DM/100
638

[51] Cl. 10-02

[54] 手錶

Wristwatch

[73] SWATCH AG (SWATCH SA) (SWATCH LTD.)

Jakob-Stämpfli-Strasse 94,

CH-2502 Biel/Bienne,

SWITZERLAND

[74] Spruson & Ferguson (Hong Kong) Limited

5001 Hopewell Centre,

183 Queen's Road East,

Hong Kong.



[11] 1801801.0M005

[15] 03-09-2018

[30] 11-04-2018 / EM, AL, MA, NO, OM, SG, CH, TN, UA, TR / DM/100
638

[51] Cl. 10-02

[54] 手錶

Wristwatch

[73] SWATCH AG (SWATCH SA) (SWATCH LTD.)

Jakob-Stämpfli-Strasse 94,

CH-2502 Biel/Bienne,

SWITZERLAND

[74] Spruson & Ferguson (Hong Kong) Limited

5001 Hopewell Centre,

183 Queen's Road East,

Hong Kong.



[11] 1801801.0M006

[15] 03-09-2018

[30] 11-04-2018 / EM, AL, MA, NO, OM, SG, CH, TN, UA, TR / DM/100
638

[51] Cl. 10-02

[54] 手錶

Wristwatch

[73] SWATCH AG (SWATCH SA) (SWATCH LTD.)

Jakob-Stämpfli-Strasse 94,

CH-2502 Biel/Bienne,

SWITZERLAND

[74] Spruson & Ferguson (Hong Kong) Limited

5001 Hopewell Centre,

183 Queen's Road East,

Hong Kong.



[11] 1801801.0M007

- [15] 03-09-2018
- [30] 11-04-2018 / EM, AL, MA, NO, OM, SG, CH, TN, UA, TR / DM/100
638
- [51] Cl. 10-02
- [54] 手錶
Wristwatch
- [73] SWATCH AG (SWATCH SA) (SWATCH LTD.)
Jakob-Stämpfli-Strasse 94,
CH-2502 Biel/Bienne,
SWITZERLAND
- [74] Spruson & Ferguson (Hong Kong) Limited
5001 Hopewell Centre,
183 Queen's Road East,
Hong Kong.



-
- [11] 1801801.0M008
- [15] 03-09-2018
- [30] 11-04-2018 / EM, AL, MA, NO, OM, SG, CH, TN, UA, TR / DM/100
638
- [51] Cl. 10-02
- [54] 手錶
Wristwatch
- [73] SWATCH AG (SWATCH SA) (SWATCH LTD.)
Jakob-Stämpfli-Strasse 94,
CH-2502 Biel/Bienne,
SWITZERLAND
- [74] Spruson & Ferguson (Hong Kong) Limited
5001 Hopewell Centre,
183 Queen's Road East,
Hong Kong.



[11] 1801801.0M009

[15] 03-09-2018

[30] 11-04-2018 / EM, AL, MA, NO, OM, SG, CH, TN, UA, TR / DM/100
638

[51] Cl. 10-02

[54] 手錶

Wristwatch

[73] SWATCH AG (SWATCH SA) (SWATCH LTD.)

Jakob-Stämpfli-Strasse 94,

CH-2502 Biel/Bienne,

SWITZERLAND

[74] Spruson & Ferguson (Hong Kong) Limited

5001 Hopewell Centre,

183 Queen's Road East,

Hong Kong.



[11] 1801852.7M001

[15] 11-09-2018

[30] 12-03-2018 / CN / 201830090535.1

[51] Cl. 21-01

[54] 積木
Building block

[73] 陳騰
香港紅磡
海逸道 8 號 海逸豪園 海
逸灣 18 座 2 樓 A 室

黃陽 香港紅
磡

海逸道 8 號 海逸豪園 海
逸灣 18 座 2 樓 A 室

[74] 卓遠知識產權有限公司
香港上環
禧利街 27 號
富輝商業中心 7 樓 701-702 室



[11] 1801852.7M002

[15] 11-09-2018

[30] 12-03-2018 / CN / 201830090535.1

[51] C1. 21-01

[54] 積木
Building block

[73] 陳騰
香港紅磡
海逸道 8 號 海逸豪園 海
逸灣 18 座 2 樓 A 室

黃陽 香港紅
磡

海逸道 8 號 海逸豪園 海
逸灣 18 座 2 樓 A 室

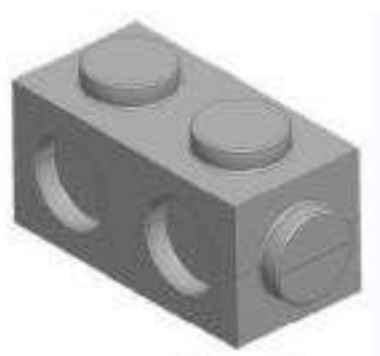
[74] 卓遠知識產權有限公司
香港上環

禧利街 27 號
富輝商業中心 7 樓 701-702 室



-
- [11] 1801852.7M003
[15] 11-09-2018
[30] 12-03-2018 / CN / 201830091055.7
[51] Cl. 21-01
[54] 積木
Building block
[73] 陳騰
香港紅磡
海逸道 8 號 海逸豪園 海
逸灣 18 座 2 樓 A 室

黃陽 香港紅
磡
海逸道 8 號 海逸豪園 海
逸灣 18 座 2 樓 A 室
[74] 卓遠知識產權有限公司
香港上環
禧利街 27 號
富輝商業中心 7 樓 701-702 室



-
- [11] 1801879.4M001
[15] 12-09-2018

[51] Cl. 21-01

[54] 公仔

Toy

[73] 港威(香港)國際有限公司

香港九龍 觀塘

鴻圖道 88 號 志聯

中心 2 樓 A 室

[74] 港威(香港)國際有限公司

香港九龍 觀塘

鴻圖道 88 號 志聯

中心 2 樓 A 室



[11] 1801879.4M002

[15] 12-09-2018

[51] Cl. 21-01

[54] 公仔

Toy

[73] 港威(香港)國際有限公司

香港九龍 觀塘

鴻圖道 88 號 志聯

中心 2 樓 A 室

[74] 港威(香港)國際有限公司

香港九龍 觀塘

鴻圖道 88 號 志聯

中心 2 樓 A 室



[11] 1801879.4M003

[15] 12-09-2018

[51] Cl. 21-01

[54] 公仔

Toy

[73] 港威(香港)國際有限公司

香港九龍 觀塘

鴻圖道 88 號 志聯

中心 2 樓 A 室

[74] 港威(香港)國際有限公司

香港九龍 觀塘

鴻圖道 88 號 志聯

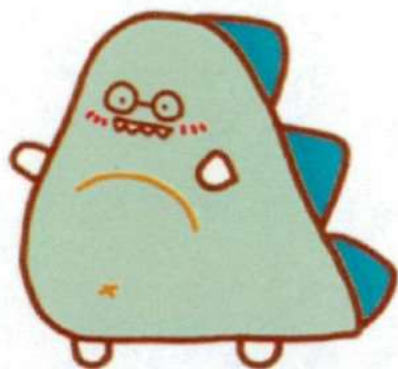
中心 2 樓 A 室



- [11] 1801879.4M004
[15] 12-09-2018
[51] Cl. 21-01
[54] 公仔
Toy
[73] 港威(香港)國際有限公司
香港九龍 觀塘
鴻圖道 88 號 志聯
中心 2 樓 A 室
[74] 港威(香港)國際有限公司
香港九龍 觀塘
鴻圖道 88 號 志聯
中心 2 樓 A 室



-
- [11] 1801879.4M005
[15] 12-09-2018
[51] Cl. 21-01
[54] 公仔
Toy
[73] 港威(香港)國際有限公司
香港九龍 觀塘
鴻圖道 88 號 志聯
中心 2 樓 A 室
[74] 港威(香港)國際有限公司
香港九龍 觀塘
鴻圖道 88 號 志聯
中心 2 樓 A 室



[11] 1801895.8

[15] 14-09-2018

[51] Cl. 7-02

[54] 平底鍋手柄

Pan lifter

[73] CRISTEL

Parc d'Activité du Moulin 25490 Fesches-le-Chatel,
FRANCE

[74] Hong Kong UTC Intellectual Property (Holdings) Limited

1105, 11/F, Tower Two,
Lippo Centre, 89 Queensway,
Hong Kong.



[11] 1801896.0M001

[15] 17-09-2018

[51] Cl. 21-01

[54] 積木玩具連包裝盒

Toy building blocks with packaging box

[73] Royal Toys (HK) Co., Limited

香港新界荃灣

橫龍街 55-57 號
利時工業大廈 7 樓

- [74] Royal Toys (HK) Co., Limited
香港新界荃灣 橫
龍街 55-57 號
利時工業大廈 7 樓



-
- [11] 1801896.0M002
[15] 17-09-2018
[51] Cl. 21-01
[54] 積木玩具連包裝盒
Toy building blocks with packaging box
[73] Royal Toys (HK) Co., Limited
香港新界荃灣 橫龍街 55-57 號 利時工業大廈 7 樓
[74] Royal Toys (HK) Co., Limited
香港新界荃灣 橫龍街 55-57 號 利時工業大廈 7 樓



-
- [11] 1801896.0M003
[15] 17-09-2018
[51] Cl. 21-01

- [54] 積木玩具連包裝盒
Toy building blocks with packaging box
- [73] Royal Toys (HK) Co., Limited
香港新界荃灣 橫龍街 55-57 號 利時工業大廈 7 樓
- [74] Royal Toys (HK) Co., Limited
香港新界荃灣 橫龍街 55-57 號 利時工業大廈 7 樓



-
- [11] 1801907.5
- [15] 18-09-2018
- [30] 21-08-2018 / CN / 201830464476.X
- [51] C1. 25-02
- [54] 車道圍欄
Road barrier
- [73] 台州市黃岩寶燁交通設施科技有限公司
中國內地浙江省
台州市黃岩區 江口街道誠
通路 28 號
- [74] 環球知識產權代理有限公司
香港九龍尖沙咀東
麼地道 62 號
永安廣場 12 樓 1213 室



-
- [11] 1801934.1

[15] 21-09-2018

[51] Cl. 13-02

[54] 充電器

Power bank

[73] 富泉商貿有限公司

FORTUNE FOUNTAINS (ASIA) LIMITED

FLAT/RM 12, BLOCK A, 10/F,

HONG KONG INDUSTRIAL CENTRE,

489-491 CASTLE PEAK ROAD, CHEUNG SHA WAN, KL, HONG KONG

[74] Global Intellectual Property Company Limited

Unit 2205, 22/F, Sino Plaza,

255-257 Gloucester Road,

Causeway Bay, Hong Kong.



[11] 1801937.8M001

[15] 21-09-2018

[30] 23-03-2018 / JP / 006177 of 2018

[51] Cl. 15-07

[54] 冰箱

Refrigerator

[73] Hoshizaki Corporation

3-16 Minamiyakata, Sakae-cho,

Toyoake-shi, Aichi,

JAPAN

[74] EMILY YIP & CO

1st Floor, Kingsfield Centre,

18 Shell Street, Fortress Hill,

Hong Kong.



[11] 1801948.1M002

[15] 22-09-2018

[30] 13-09-2018 / US / 29/663,293

[51] Cl. 14-99

[54] 通訊頭戴式送受話器的基座

Base cradle for a communications headset

[73] 繽特力股份有限公司

PLANTRONICS, INC.

345 Encinal St.,

Santa Cruz, CA 95060,

UNITED STATES

[74] Shanghai Intellectual Property Office

Unit F, 20th Floor, Neich Tower,

128 Gloucester Road,

Hong Kong.



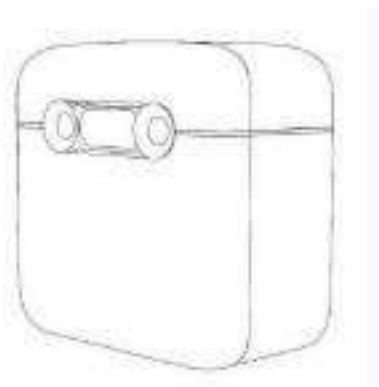
[11] 1801949.3

[15] 24-09-2018

[30] 26-03-2018 / CN / 201830112979.0

[51] Cl. 20-01

- [54] 自動售貨及回收機
Vending and recycling machine
- [73] THE COCA-COLA COMPANY
ONE COCA-COLA PLAZA, NW,
ATLANTA, GEORGIA 30313, U.S.A.,
UNITED STATES
- [74] China Patent Agent (H.K.) Ltd.
22/F, Great Eagle Centre,
23 Harbour Road, Wanchai,
Hong Kong.



-
- [11] 1801950.5
- [15] 24-09-2018
- [51] Cl. 14-01
- [54] 無線充電藍牙耳機連充電器
Wireless charging bluetooth earbud with charger
- [73] 深圳派立通科技有限公司
Shenzhen Pilot Technology Co., LTD
中國內地廣東省深圳市龍崗區 平湖街道山廈社區杉坑工業區杉
坑路 7 號 A1 廠房二樓、三樓
(在杉坑三路 B20 廠房一樓、三樓、四樓設有經營場所)
- [74] 中港專利有限公司
香港港灣道 1 號
會展廣場辦公大樓
30 樓 3012 室



[11] 1801953.1

[15] 26-09-2018

[51] Cl. 9-03

[54] 包裝盒

Packaging box

[73] TOP ASIA MARKETING LIMITED

Unit 15, 6/F, Block A, Cambridge Plaza,
188 San Wan Road, Sheung Shui,
N.T., Hong Kong

[74] HONG KONG KYOWA BUSSAN LIMITED

UNIT 17-18, 10/F, LANDMARK NORTH,
39 LUNG SUM AVE, SHEUNG SHUI,
N.T., Hong Kong



[11] 1801954.3M001

[15] 26-09-2018

[30] 27-03-2018 / US / 29/642,003

[51] Cl. 10-04

[54] 溫度貼

Thermometer sticker

[73] MJN 美國控股公司

MJN U.S. Holdings LLC

225 North Canal Street, 25th Floor,

Chicago, Illinois 60606,

UNITED STATES

[74] SANYOU INTERNATIONAL INTELLECTUAL PROPERTY AGENCY (HONG KONG)
LIMITED

ROOM 601, 6/F., YUE XIU BUILDING,

160-174 LOCKHART ROAD, WANCHAI,

HONG KONG



[11] 1801954.3M002

[15] 26-09-2018

[30] 27-03-2018 / US / 29/642,003

[51] Cl. 10-04

[54] 溫度貼

Thermometer sticker

[73] MJN 美國控股公司

MJN U.S. Holdings LLC

225 North Canal Street, 25th Floor,

Chicago, Illinois 60606,

UNITED STATES

[74] SANYOU INTERNATIONAL INTELLECTUAL PROPERTY AGENCY (HONG KONG)
LIMITED

ROOM 601, 6/F., YUE XIU BUILDING,

160-174 LOCKHART ROAD, WANCHAI,

HONG KONG



[11] 1801954.3M003

[15] 26-09-2018

[30] 27-03-2018 / US / 29/642,003

[51] Cl. 10-04

[54] 溫度貼

Thermometer sticker

[73] MJN 美國控股公司

MJN U.S. Holdings LLC

225 North Canal Street, 25th Floor,

Chicago, Illinois 60606,

UNITED STATES

[74] SANYOU INTERNATIONAL INTELLECTUAL PROPERTY AGENCY (HONG KONG)
LIMITED

ROOM 601, 6/F., YUE XIU BUILDING,

160-174 LOCKHART ROAD, WANCHAI,

HONG KONG



[11] 1801976.0M001

[15] 28-09-2018

[51] Cl. 3-01

[54] 行李箱

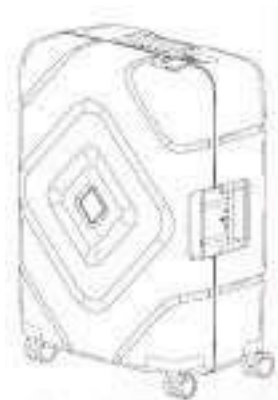
Luggage

[73] Samsonite IP Holdings S.à r.l.

13-15 avenue de la Liberté,

L-1931 Luxembourg,
LUXEMBOURG

- [74] Wilkinson & Grist
6th Floor, Prince's Building,
Chater Road,
Hong Kong.



-
- [11] 1801976.0M002

[15] 28-09-2018

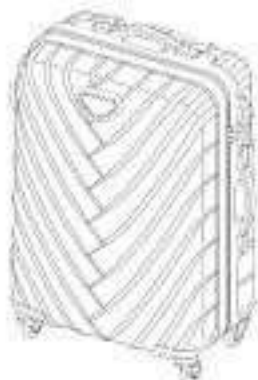
[51] Cl. 3-01

[54] 行李箱

Luggage

- [73] Samsonite IP Holdings S.à r.l.
13-15 avenue de la Liberté,
L-1931 Luxembourg,
LUXEMBOURG

- [74] Wilkinson & Grist
6th Floor, Prince's Building,
Chater Road,
Hong Kong.



-
- [11] 1801976.0M003

[15] 28-09-2018

[51] Cl. 3-01

[54] 行李箱

Luggage

[73] Samsonite IP Holdings S.à r.l.

13-15 avenue de la Liberté,

L-1931 Luxembourg,

LUXEMBOURG

[74] Wilkinson & Grist

6th Floor, Prince's Building,

Chater Road,

Hong Kong.



[11] 1801976.0M004

[15] 28-09-2018

[51] Cl. 3-01

[54] 行李箱

Luggage

[73] Samsonite IP Holdings S.à r.l.

13-15 avenue de la Liberté,

L-1931 Luxembourg,

LUXEMBOURG

[74] Wilkinson & Grist

6th Floor, Prince's Building,

Chater Road,

Hong Kong.



[11] 1801976.0M005

[15] 28-09-2018

[51] Cl. 3-01

[54] 行李箱

Luggage

[73] Samsonite IP Holdings S.à r.l.

13-15 avenue de la Liberté,

L-1931 Luxembourg,

LUXEMBOURG

[74] Wilkinson & Grist

6th Floor, Prince's Building,

Chater Road,

Hong Kong.



[11] 1801995.0

[15] 02-10-2018

[51] Cl. 11-01

[54] 手鐲

Bracelet

[73] 天星珍珠首飾有限公司

Gyso Pearls & Jewellery Ltd.

Unit C, 17/F., Gemstar Tower,
23 Man Lok Street, Hung Hom,
Kowloon, Hong Kong

- [74] BENNY KONG & TSAI
Unit 19B, Overseas Trust Bank Building,
No. 160 Gloucester Road, Wanchai,
Hong Kong.



- [11] 1913334.3M001
[15] 01-04-2019
[51] Cl. 3-01
[54] 男學生校服人形公仔匙扣
Keyring with a boy wearing school uniform
[73] 九龍塘學校
Kowloon Tong School
香港九龍塘 金巴倫
道 2721 地段
九龍塘學校(小學部)
[74] 九龍塘學校小學部(經辦人:何錦然)
香港九龍塘
金巴倫道 2721 地段 九龍
塘學校小學部



[11] 1913334.3M002

[15] 01-04-2019

[51] Cl. 3-01

[54] 女學生校服人形公仔匙扣

Keyring with a girl wearing school uniform

[73] 九龍塘學校

Kowloon Tong School

香港九龍塘 金巴倫

道 2721 地段

九龍塘學校(小學部)

[74] 九龍塘學校小學部(經辦人:何錦然)

香港九龍塘

金巴倫道 2721 地段 九龍

塘學校小學部





香港特別行政區政府知識產權署外觀設計註冊處

The Government of the Hong Kong Special Administrative

Region Designs Registry, Intellectual Property Department

根據註冊外觀設計條例第28條，下列註冊外觀設計因未繳續期費而停止有效。各組記項按註冊外觀設計停止有效日期及註冊編號先後次序排列。

Registered designs ceased through non-payment of renewal fees under section

28 of the Registered Designs Ordinance. Entries are listed below under their expiry dates.

02-04-2019 - 10-04-2019

02-04-2019

1400597.1	1400604.7M002
1400599.5M001	1400604.7M003
1400599.5M002	1400604.7M004
1400599.5M003	1400604.7M005
1400599.5M004	1400604.7M006
1400599.5M005	1400604.7M007
1400599.5M006	1400604.7M008
1400599.5M007	1400604.7M009
1400599.5M008	1400605.0M001
1400599.5M009	1400605.0M002
1400599.5M010	1400605.0M003
1400599.5M011	1400605.0M004
1400599.5M012	1400605.0M005
1400599.5M013	1400606.2M001
1400599.5M014	1400606.2M002
1400599.5M015	1400606.2M003
1400599.5M016	1400606.2M004
1400599.5M017	1400606.2M005
1400599.5M018	1400606.2M006
1400599.5M019	1400606.2M007
1400599.5M021	1400607.4M001
1400599.5M022	1400607.4M002
1400599.5M024	1400607.4M003
1400599.5M026	1400607.4M004
1400599.5M027	1400608.6M001
1400599.5M028	1400608.6M002
1400599.5M029	1400610.0
	1400611.2
	1400613.6

05-04-2019

0410737.9
0410738.1
0900548.1
0900549.3
0900551.7

06-04-2019

0410739.3
0900555.6M002
0900555.6M005
0900560.6
0900561.8
0900562.0
1400614.8
1400615.1
1400616.3
1400617.5M001
1400617.5M002
1400618.7M001
1400618.7M002
1400622.5
0410739.3
0900555.6M002
0900555.6M005
0900560.6
0900561.8
0900562.0
1400615.1

03-04-2019

1400600.9
1400601.1
1400602.3M001
1400602.3M002
1400603.5
1400604.7M001

07-04-2019

0410759.5	0900575.8M010	1400645.4M001
0410763.3	0900575.8M011	1400645.4M002
0412008.5	0900575.8M012	1400645.4M003
0900566.9	0900575.8M013	1400645.4M004
0900567.1	0900575.8M014	1400646.6
1400537.5	0900575.8M015	1400647.8
1400625.2	0900575.8M016	1400648.0M001
1400626.4	0900575.8M017	1400649.2
1400627.6M001	0900575.8M018	1400650.4
1400627.6M-04-2019002	1400636.5M001	1400651.6
1400627.6M003	1400636.5M002	1401141.5M001
1400627.6M004	1400636.5M003	1401141.5M002
1400627.6M005	1400636.5M004	9910395.6M001
1400627.6M006	1400636.5M005	9910395.6M002
1400628.8	1400636.5M006	9910396.8M001
1400629.0M001	1400636.5M007	9910396.8M002
1400629.0M002	1400636.5M008	
1400629.0M003	1400636.5M009	10-04-2019
1400630.2	1400636.5M010	
1400631.4M001	1400636.5M011	1400674.4
1400631.4M002	1400636.5M012	1400675.7
1400631.4M003	1400636.5M013	1400676.9
1400631.4M004	1400636.5M014	1400678.3
1400632.6	1400637.7M004	1400679.5
1400633.8M001	1400637.7M005	1400681.9
1400633.8M002	1400638.9M001	1400682.1
9910390.5	1400638.9M002	1400683.3
08-04-2019	1400639.1	1400684.5
0900570.7M001	1400640.3M001	1400686.0
0900570.7M002	1400640.3M002	1400687.2
0900570.7M003	1400640.3M003	1400688.4
0900570.7M004	1400640.3M004	1400689.6
0900570.7M005	1400640.3M005	1400690.8
0900570.7M006	1400640.3M006	1400691.0
0900575.8M001	1400641.5	1400692.2
0900575.8M002	1400642.7M001	1400693.4
0900575.8M003	1400642.7M002	1400694.6
0900575.8M004	1400643.9M001	
0900575.8M005	1400643.9M002	
0900575.8M006	1400643.9M003	
0900575.8M007	1400643.9M004	
0900575.8M008	1400644.1M001	
0900575.8M009	1400644.1M002	



香港特別行政區政府知識產權署外觀設計註冊處

The Government of the Hong Kong Special Administrative Region

Designs Registry, Intellectual Property Department

根據註冊外觀設計規則第31條刪除的註冊外觀設計。各組記項按註冊外觀設計 刪除日期及註冊編號先後次序排列。

Registered designs removed under section 31 of the Registered Designs Rules. Entries are listed below under their removal dates.

02-04-2019 - 10-04-2019

02-04-2019	9811254.7	08-04-2019
0311577.9	03-04-2019	0311628.8M001
0802338.6	1301667.0M001	0311628.8M002
0802339.8	1301667.0M002	0802387.9M001
0802352.5M001	1301667.0M003	0802387.9M002
0802352.5M002	1301667.0M004	0802387.9M003
0802355.2	1301667.0M006	0802388.1M001
0802356.4	1301667.0M007	0802388.1M002
0802358.8	1301667.0M008	0802388.1M003
1301636.5	1301667.0M009	0802389.3M001
1301637.7	1301667.0M010	0802389.3M002
1301638.9	1301667.0M011	0802389.3M003
1301639.1M001	1301668.2M001	0802390.5M001
1301640.3	1301668.2M002	0802390.5M002
1301641.5M001	1301668.2M003	0802390.5M003
1301641.5M002	1301668.2M004	1301681.9
1301644.1	1301668.2M005	1301687.2M001
1301645.4	1301668.2M006	1301687.2M002
1301646.6	1301668.2M007	1301688.4
1301647.8M001	1301668.2M008	1301689.6
1301647.8M002	1301668.2M009	1301690.8
1301649.2M001	1301668.2M010	1301692.2
1301649.2M002	1301669.4M001	1301694.6
1301649.2M003	1301669.4M002	1301696.1M001
1301651.6	04-04-2019	
1301660.5	1301674.4	
1301661.7	1301675.7	
1301662.9M001	1301676.9	
1301662.9M002		
1301662.9M003		
1301663.1		
9811245.9		
9811246.1		

09-04-2019

0311640.3	0311645.4
0311641.5	0802415.0
0802392.9M001	1301724.1
0802394.3	1301726.6M001
1301704.9	1301726.6M002
1301705.2	1301727.8
1301706.4	1400860.9M001
1301707.6	1400860.9M002
1301708.8	
1301709.0	
1301710.2	
1301711.4	
1301712.6	
1301713.8	
1301714.0	
1301716.5M001	
1301716.5M002	
1301716.5M003	
1301716.5M004	
1301716.5M005	
1301716.5M006	
1301716.5M007	
1301716.5M008	
1301716.5M009	
1301716.5M010	
1301716.5M011	
1301716.5M012	
1301716.5M013	
1301716.5M014	
1301716.5M015	
1301716.5M016	
1301716.5M017	
1301716.5M018	
1301716.5M019	
1301717.7	
1301718.9	
1301719.1	
1301720.3	