

# 香港知識產權公報

Hong Kong Intellectual Property Journal

2019 年 9 月 27 日  
27 September 2019



## 目錄 Contents

### 根據註冊外觀設計條例第 25 條註冊的外觀設計

#### **Designs Registered under section 25 of the Registered Designs Ordinance**

按註冊編號排列

Arranged by Registration Number

### 根據註冊外觀設計條例(第 522 章)公布的其他公告

#### **Other Notices Published under the Registered Designs Ordinance (Cap. 522)**

根據註冊外觀設計條例第 28 條，註冊外觀設計因未繳續期費而停止有效

Registered designs ceased through non-payment of renewal fees under section 28 of the Registered Designs Ordinance

根據註冊外觀設計規則第 31 條刪除的註冊外觀設計

Registered designs removed under section 31 of the Registered Designs Rules

### 以下事項沒有記錄

#### **No Records for the Following Matters**

根據註冊外觀設計條例第 30 條放棄的外觀設計的註冊

Surrender of Registration of Design under section 30 of the Registered Designs Ordinance

根據註冊外觀設計規則第 37 條，向處長作出轉介

Reference to Registrar under section 37 of the Registered Designs Rules

根據註冊外觀設計條例第 45 條，撤銷註冊

Revocation of Registration under section 45 of the Registered Designs Ordinance

根據註冊外觀設計規則第 46 條，向法院作出轉介  
Reference to Court under section 46 of the Registered Designs Rules

根據註冊外觀設計規則第 63 條對不符合規定之處作出糾正  
Rectification of Irregularities under section 63 of the Registered Designs Rules

根據註冊外觀設計條例第 66 條，糾正註冊紀錄冊  
Rectification of Register under section 66 of the Registered Designs Ordinance

根據註冊外觀設計條例第 67 條，更正註冊紀錄冊內的錯誤  
Correction of Errors in Register under section 67 of the Registered Designs Ordinance

根據註冊外觀設計條例第 67 及 76 條，更正註冊紀錄冊內及已提交文件中的錯誤  
Correction of Errors in Register and in Filed Documents under sections  
67 and 76 of the Registered Designs Ordinance

根據註冊外觀設計條例第 76 條，更正已提交文件中的錯誤  
Correction of Errors in Filed Documents under section 76 of the Registered Designs  
Ordinance

勘誤  
Corrigendum

## 註冊外觀設計公告註釋

### Notes on advertisements of registration of designs

方括號表示下列資料：

Square brackets indicate the following data：

- [11] 註冊編號 Registration number / 聯合王國註冊編號 United Kingdom registration number
  
- [15] 註冊日期 Registration date / 當作註冊日期 Deemed registration date / 聯合王國註冊日期 United Kingdom registration date
  
- [17] 註冊有效期屆滿日期 Expiry date of the period of registration
  
- [22] 提交日期 Filing date / 當作提交日期 Deemed filing date / 聯合王國提交日期 United Kingdom filing date
  
- [30] 聲稱享有的優先權 (提交日期 / 巴黎公約國或世界貿易組織成員 / 申請編號) Priority claimed (filing date / Paris Convention country or WTO member / application number)
  
- [51] 國際外觀設計分類號 (洛迦諾分類號) International Classification of designs (Locarno Classification)
  
- [54] 物品 Article
  
- [55] 外觀設計的表述 Representation of the design
  
- [62] 分開前的申請編號及提交日期 Application number before division and filing date
  
- [66] 過往註冊的聯繫外觀設計註冊編號 / 日期 Registration No. / Date of Previous Registration for Association
  
- [72] 設計人 Designer

[73] 擁有人姓名和地址 Name and address of the owner

[74] 代理人 Agent / 送達地址 Address for service



香港特別行政區政府知識產權署外觀設計註冊處

The Government of the Hong Kong Special Administrative Region

Designs Registry, Intellectual Property Department

## 根據註冊外觀設計條例第 25 條註冊的外觀設計

### Designs registered under section 25 of the Registered Designs Ordinance

按註冊編號排列

Arranged by Registration Number

- [11] 1802395.8
- [15] 06-12-2018
- [51] Cl. 28-03
- [54] 六合一電動美甲器  
6 in 1 electric manicure
- [73] 渲美美健（深圳）科技股份有限公司  
中國內地廣東省深圳市寶安區  
新安街道寶安中心區興華路南側 榮  
超濱海大廈 A 座七樓
- [74] 恆大律師行香港有限公司  
香港中環  
皇后大道中 70 號  
卡佛大廈 1104 室



- 
- [11] 1802429.1
  - [15] 11-12-2018
  - [51] Cl. 24-99
  - [54] 牙齒矯正器  
Orthodontic appliance

- [73] Triple T International Limited  
Flat/Rm D, Block 1, 12/F, Royal Jubilee,  
No. 88 San Shing Ave, Sheung Shui,  
NT, HONG KONG
- [74] Global Intellectual Property Company Limited  
Unit 2205, 22/F, Sino Plaza,  
255-257 Gloucester Road,  
Causeway Bay, Hong Kong.



- 
- [11] 1802477.2M001
- [15] 17-12-2018
- [30] 06-07-2018 / SE / 2018/0177
- [51] Cl. 12-16
- [54] 車輛用板  
Panel for vehicle
- [73] Scania CV AB  
SE-151 87 Södertälje,  
SWEDEN
- [74] NTD Patent & Trade Mark Agency Ltd.  
Units 1805-6, 18/F., Greenfield Tower,  
Concordia Plaza, No.1 Science Museum Road,  
Tsimshatsui East, Kowloon, Hong Kong.



---

[11] 1802477.2M002

[15] 17-12-2018

[30] 06-07-2018 / SE / 2018/0177

[51] Cl. 12-16

[54] 車輛用板

Panel for vehicle

[73] Scania CV AB

SE-151 87 Södertälje,  
SWEDEN

[74] NTD Patent & Trade Mark Agency Ltd.

Units 1805-6, 18/F., Greenfield Tower,  
Concordia Plaza, No.1 Science Museum Road,  
Tsimshatsui East, Kowloon, Hong Kong.



---

[11] 1802477.2M003



[15] 17-12-2018

[30] 06-07-2018 / SE / 2018/0177

[51] Cl. 12-16

[54] 車輛用板

Panel for vehicle

[73] Scania CV AB

SE-151 87 Södertälje,

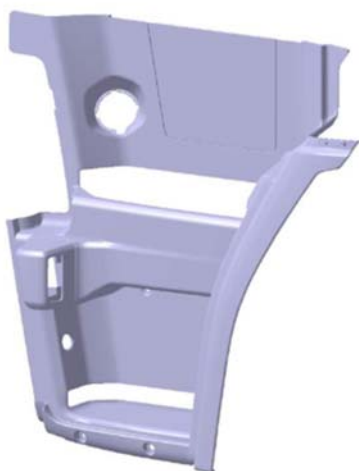
SWEDEN

[74] NTD Patent & Trade Mark Agency Ltd.

Units 1805-6, 18/F., Greenfield Tower,

Concordia Plaza, No.1 Science Museum Road,

Tsimshatsui East, Kowloon, Hong Kong.



---

[11] 1802477.2M004

[15] 17-12-2018

[30] 06-07-2018 / SE / 2018/0176

[51] Cl. 12-16

[54] 車輛用踏板

Step plate for vehicle

[73] Scania CV AB

SE-151 87 Södertälje,

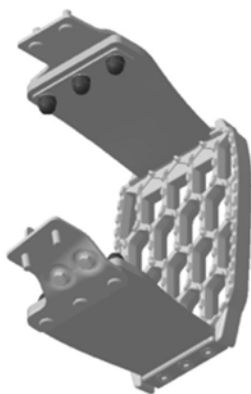
SWEDEN

[74] NTD Patent & Trade Mark Agency Ltd.

Units 1805-6, 18/F., Greenfield Tower,

Concordia Plaza, No.1 Science Museum Road,

Tsimshatsui East, Kowloon, Hong Kong.



---

[11] 1802477.2M005

[15] 17-12-2018

[30] 06-07-2018 / SE / 2018/0176

[51] Cl. 12-16

[54] 車輛用踏板

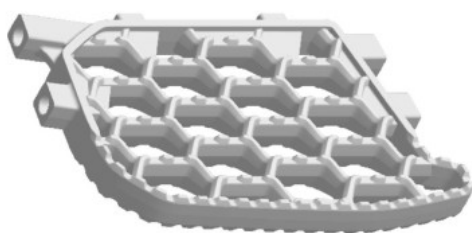
Step plate for vehicle

[73] Scania CV AB

SE-151 87 Södertälje,  
SWEDEN

[74] NTD Patent & Trade Mark Agency Ltd.

Units 1805-6, 18/F., Greenfield Tower,  
Concordia Plaza, No.1 Science Museum Road,  
Tsimshatsui East, Kowloon, Hong Kong.



---

[11] 1802477.2M006

[15] 17-12-2018

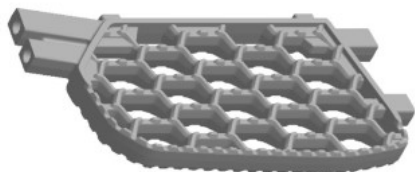
[30] 06-07-2018 / SE / 2018/0176

[51] Cl. 12-16

[54] 車輛用踏板  
Step plate for vehicle

[73] Scania CV AB  
SE-151 87 Södertälje,  
SWEDEN

[74] NTD Patent & Trade Mark Agency Ltd.  
Units 1805-6, 18/F., Greenfield Tower,  
Concordia Plaza, No.1 Science Museum Road,  
Tsimshatsui East, Kowloon, Hong Kong.



---

[11] 1802477.2M007

[15] 17-12-2018

[30] 06-07-2018 / SE / 2018/0174

[51] Cl. 12-16

[54] 車輛用擋泥板  
Mudguard for vehicle

[73] Scania CV AB  
SE-151 87 Södertälje,  
SWEDEN

[74] NTD Patent & Trade Mark Agency Ltd.  
Units 1805-6, 18/F., Greenfield Tower,  
Concordia Plaza, No.1 Science Museum Road,  
Tsimshatsui East, Kowloon, Hong Kong.



[11] 1802477.2M008

[15] 17-12-2018

[51] Cl. 12-16

[54] 車輛用擋泥板

Mudguard for vehicle

[73] Scania CV AB

SE-151 87 Södertälje,  
SWEDEN

[74] NTD Patent & Trade Mark Agency Ltd.

Units 1805-6, 18/F., Greenfield Tower,  
Concordia Plaza, No.1 Science Museum Road,  
Tsimshatsui East, Kowloon, Hong Kong.



---

[11] 1802477.2M009

[15] 17-12-2018

[30] 06-07-2018 / SE / 2018/0175

[51] Cl. 12-16

[54] 車輛用擋泥板

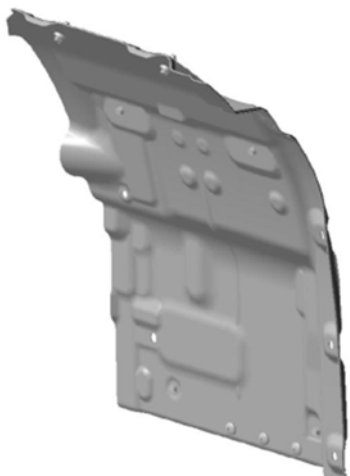
Mudguard for vehicle

[73] Scania CV AB

SE-151 87 Södertälje,  
SWEDEN

[74] NTD Patent & Trade Mark Agency Ltd.

Units 1805-6, 18/F., Greenfield Tower,  
Concordia Plaza, No.1 Science Museum Road,  
Tsimshatsui East, Kowloon, Hong Kong.



---

[11] 1802477.2M010

[15] 17-12-2018

[30] 06-07-2018 / SE / 2018/0175

[51] Cl. 12-16

[54] 車輛用擋泥板

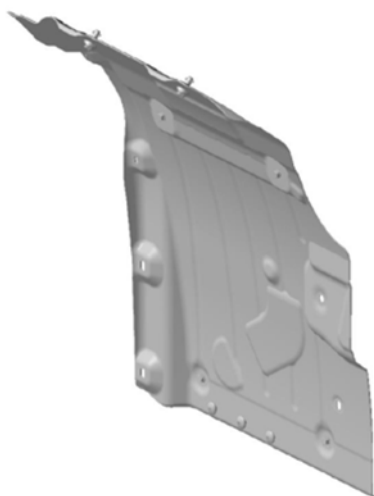
Mudguard for vehicle

[73] Scania CV AB

SE-151 87 Södertälje,  
SWEDEN

[74] NTD Patent & Trade Mark Agency Ltd.

Units 1805-6, 18/F., Greenfield Tower,  
Concordia Plaza, No.1 Science Museum Road,  
Tsimshatsui East, Kowloon, Hong Kong.



---

[11] 1802487.3M001

[15] 19-12-2018

[51] Cl. 23-02

[54] 嬰兒浴盆

Baby bathtub

[73] Artsana S.p.A.

Via Saldarini Catelli 1,

22070 Grandate CO,

ITALY

[74] C&H IP LAW LIMITED

1206, Eastern Commercial Centre,

397 Hennessy Road, Wan Chai,

Hong Kong.



---

[11] 1802487.3M002

[15] 19-12-2018

[51] Cl. 23-02

[54] 嬰兒浴盆

Baby bathtub

[73] Artsana S.p.A.

Via Saldarini Catelli 1, 22070 Grandate CO, ITALY

[74] C&H IP LAW LIMITED

1206, Eastern Commercial Centre, 397 Hennessy Road, Wan Chai,

Hong Kong.



[11] 1802487.3M003

[15] 19-12-2018

[51] Cl. 23-02

[54] 嬰兒浴盆

Baby bathtub

[73] Artsana S.p.A.

Via Saldarini Catelli 1,  
22070 Grandate CO,  
ITALY

[74] C&H IP LAW LIMITED

1206, Eastern Commercial Centre,  
397 Hennessy Road, Wan Chai,  
Hong Kong.



---

[11] 1802487.3M004

[15] 19-12-2018

[51] Cl. 23-02

[54] 嬰兒浴盆

Baby bathtub

[73] Artsana S.p.A.

Via Saldarini Catelli 1,  
22070 Grandate CO,  
ITALY

[74] C&H IP LAW LIMITED

1206, Eastern Commercial Centre,  
397 Hennessy Road, Wan Chai,  
Hong Kong.



---

[11] 1802487.3M005

[15] 19-12-2018

[51] Cl. 23-02

[54] 嬰兒浴盆

Baby bathtub

[73] Artsana S.p.A.

Via Saldarini Catelli 1,

22070 Grandate CO,

ITALY

[74] C&H IP LAW LIMITED

1206, Eastern Commercial Centre,

397 Hennessy Road, Wan Chai,

Hong Kong.



---

[11] 1802487.3M006

[15] 19-12-2018

[51] Cl. 23-02

[54] 嬰兒浴盆

Baby bathtub

[73] Artsana S.p.A.

Via Saldarini Catelli 1,

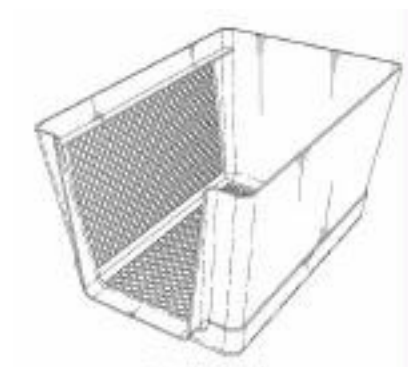


22070 Grandate CO,  
ITALY

- [74] C&H IP LAW LIMITED  
1206, Eastern Commercial Centre,  
397 Hennessy Road, Wan Chai,  
Hong Kong.



- 
- [11] 1802536.9  
[15] 24-12-2018  
[30] 22-06-2018 / US / 29/654,370  
[51] Cl. 30-99  
[54] 用於寵物的小便壁裝置  
Wetting wall device for pets  
[73] ALAIN COURCHESNE  
150 Saint-Norbert,  
Unit No. 602, Montréal,  
QC H2X 1G6, CANADA  
[74] WENPING & CO.  
1701 Tung Wai Commercial Building,  
111 Gloucester Road,  
Hong Kong.



- 
- [11] 1900013.8  
[15] 02-01-2019

[51] Cl. 9-03

[54] 食物盒

Food box

[73] 爭鮮(香港)食品有限公司

香港九龍

長沙灣道 932 號

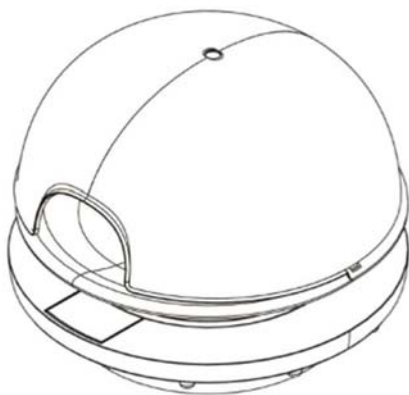
興訊廣場 23 樓

[74] 江炳滔律師事務所

香港灣仔

告士打道 160 號 海外信託銀

行大廈 19 樓 B 室



---

[11] 1900018.9

[15] 03-01-2019

[30] 10-09-2018 / JP / 019702 of 2018

[51] Cl. 23-04

[54] 送風機葉輪

Blower impeller

[73] Balmuda Inc.

5-1-21, Kyonan-cho,

Musashino-shi, Tokyo 180-0023,

JAPAN

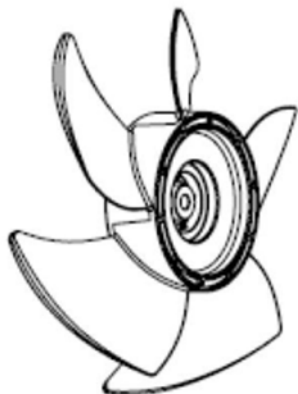
[74] HONG KONG INTELLECTUAL PROPERTY AGENT LIMITED

Unit 230, 2/F, Building 12W,

No.12 Science Park West Avenue,

Phase 3, Hong Kong Science Park, Pak Shek Kok, N.T., Hong

Kong.



---

[11] 1900019.1

[15] 03-01-2019

[30] 10-09-2018 / JP / 019703 of 2018

[51] Cl. 23-04

[54] 送風機靜翼

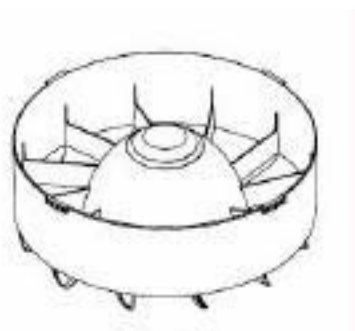
Blower stationary  
blade

[73] Balmuda Inc.

5-1-21, Kyonan-cho,  
Musashino-shi, Tokyo 180-0023,  
JAPAN

[74] HONG KONG INTELLECTUAL PROPERTY AGENT LIMITED

Unit 230, 2/F, Building 12W,  
No.12 Science Park West Avenue,  
Phase 3, Hong Kong Science Park, Pak Shek Kok, N.T., Hong  
Kong.



---

[11] 1900020.3

[15] 03-01-2019

[30] 10-09-2018 / JP / 019701 of 2018

[51] Cl. 23-04

[54] 空氣清淨機

Air purifier

[73] Balmuda Inc.

5-1-21, Kyonan-cho,

Musashino-shi, Tokyo 180-0023,

JAPAN

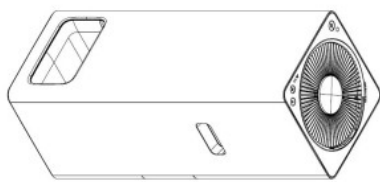
[74] HONG KONG INTELLECTUAL PROPERTY AGENT LIMITED

Unit 230, 2/F, Building 12W,

No.12 Science Park West Avenue,

Phase 3, Hong Kong Science Park, Pak Shek Kok, N.T., Hong

Kong.



---

[11] 1900023.9M001

[15] 03-01-2019

[30] 13-07-2018 / NO / 20180630

[51] Cl. 25-01

[54] 用於存儲系統的網格支柱

Grid pillar for storage system

[73] AUTOSTORE TECHNOLOGY AS

Stokkastrandvegen 85,

5578 Nedre Vats,

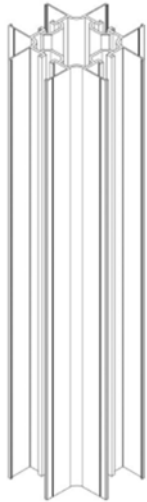
NORWAY

[74] Barron & Young Intellectual Property Limited

Suite 617, Lakeside 2,

No. 10 Science Park West Avenue,

Hong Kong Science Park, N.T., Hong Kong.



---

[11] 1900023.9M002

[15] 03-01-2019

[30] 13-07-2018 / NO / 20180630

[51] Cl. 25-01

[54] 用於存儲系統的網格支柱

Grid pillar for storage system

[73] AUTOSTORE TECHNOLOGY AS

Stokkastrandvegen 85,

5578 Nedre Vats,

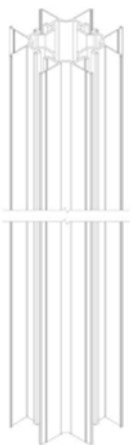
NORWAY

[74] Barron & Young Intellectual Property Limited

Suite 617, Lakeside 2,

No. 10 Science Park West Avenue,

Hong Kong Science Park, N.T., Hong Kong.



- [11] 1900024.1  
[15] 03-01-2019  
[51] Cl. 30-11  
[54] 可折疊寵物垃圾剷  
Foldable pet waste scoop  
[73] Li Shu Wah  
Room B-32, 14/F,  
Wong King Industrial Building,  
Tai Yau Street, Hong Kong  
[74] Accolade IP Limited  
Room 702, 7/F.,  
Fu Fai Commercial Centre,  
27 Hillier Street, Hong Kong.



- 
- [11] 1900025.4  
[15] 04-01-2019  
[30] 11-07-2018 / AU / 201814160  
[51] Cl. 14-99  
[54] 電線載體，特別是耳機電線  
Carrier for cables, particularly headphone cables  
[73] Jiggyhub Pty Ltd  
133 Rowntree St, Birchgrove,  
New South Wales, 2041,  
AUSTRALIA  
[74] MARKS & CLERK  
Level 9, Cyberport 1,  
100 Cyberport Road,  
Pok Fu Lam, Hong Kong.



---

[11] 1900029.2M001

[15] 04-01-2019

[30] 09-10-2018 / US / 29/666,056

[51] Cl. 4-02

[54] 牙刷

Toothbrush

[73] World Wide Daily Holdings Company Limited

19/F., Koon Wah Mirror Factory 3rd Industrial Building,

5-9 Ka Hing Road, Kwai Chung,

New Territories, Hong Kong

[74] MARKS & CLERK

Level 9, Cyberport 1,

100 Cyberport Road,

Pok Fu Lam, Hong Kong.



---

[11] 1900029.2M002

[15] 04-01-2019

[30] 09-10-2018 / US / 29/666,056

[51] Cl. 4-02

[54] 牙刷

Toothbrush

[73] World Wide Daily Holdings Company Limited

19/F., Koon Wah Mirror Factory 3rd Industrial Building,  
5-9 Ka Hing Road, Kwai Chung,  
New Territories, Hong Kong

[74] MARKS & CLERK

Level 9, Cyberport 1,  
100 Cyberport Road,  
Pok Fu Lam, Hong Kong.



---

[11] 1900029.2M003

[15] 04-01-2019

[30] 09-10-2018 / US / 29/666,061

[51] Cl. 4-02

[54] 牙刷

Toothbrush

[73] World Wide Daily Holdings Company Limited

19/F., Koon Wah Mirror Factory 3rd Industrial Building,  
5-9 Ka Hing Road, Kwai Chung,  
New Territories, Hong Kong

[74] MARKS & CLERK

Level 9, Cyberport 1,  
100 Cyberport Road,  
Pok Fu Lam, Hong Kong.





---

[11] 1900029.2M004

[15] 04-01-2019

[30] 09-10-2018 / US / 29/666,061

[51] Cl. 4-02

[54] 牙刷

Toothbrush

[73] World Wide Daily Holdings Company Limited  
19/F., Koon Wah Mirror Factory 3rd Industrial Building,  
5-9 Ka Hing Road, Kwai Chung,  
New Territories, Hong Kong

[74] MARKS & CLERK

Level 9, Cyberport 1,  
100 Cyberport Road,  
Pok Fu Lam, Hong Kong.



---

[11] 1900029.2M005

[15] 04-01-2019

[30] 09-10-2018 / US / 29/666,065

[51] Cl. 4-02

[54] 牙刷

Toothbrush

[73] World Wide Daily Holdings Company Limited  
19/F., Koon Wah Mirror Factory 3rd Industrial Building,  
5-9 Ka Hing Road, Kwai Chung,  
New Territories, Hong Kong

[74] MARKS & CLERK  
Level 9, Cyberport 1,  
100 Cyberport Road,  
Pok Fu Lam, Hong Kong.



---

[11] 1900029.2M006

[15] 04-01-2019

[30] 09-10-2018 / US / 29/666,065

[51] Cl. 4-02

[54] 牙刷

Toothbrush

[73] World Wide Daily Holdings Company Limited  
19/F., Koon Wah Mirror Factory 3rd Industrial Building,  
5-9 Ka Hing Road, Kwai Chung,  
New Territories, Hong Kong

[74] MARKS & CLERK  
Level 9, Cyberport 1,  
100 Cyberport Road,  
Pok Fu Lam, Hong Kong.



[11] 1900029.2M007

[15] 04-01-2019

[30] 09-10-2018 / US / 29/666,066

[51] Cl. 4-02

[54] 牙刷

Toothbrush

[73] World Wide Daily Holdings Company Limited

19/F., Koon Wah Mirror Factory 3rd Industrial Building,

5-9 Ka Hing Road, Kwai Chung,

New Territories, Hong Kong

[74] MARKS & CLERK

Level 9, Cyberport 1,

100 Cyberport Road,

Pok Fu Lam, Hong Kong.



---

[11] 1900029.2M008

[15] 04-01-2019

[30] 09-10-2018 / US / 29/666,066

[51] Cl. 4-02

[54] 牙刷

Toothbrush

[73] World Wide Daily Holdings Company Limited

19/F., Koon Wah Mirror Factory 3rd Industrial Building,

5-9 Ka Hing Road, Kwai Chung,

New Territories, Hong Kong

[74] MARKS & CLERK

Level 9, Cyberport 1,

100 Cyberport Road,

Pok Fu Lam, Hong Kong.



---

[11] 1900040.5M001

[15] 09-01-2019

[30] 09-07-2018 / US / 29/655,963

[51] Cl. 6-03

[54] 桌子

Table

[73] 蘋果公司

APPLE INC.

ONE APPLE PARK WAY,

CUPERTINO, CALIFORNIA 95014,

UNITED STATES

[74] CLT Patent & Trademark (H.K.) Ltd.

Unit 09, 34/F., Office Tower,

Convention Plaza, No. 1 Harbour Road,

Wanchai, Hong Kong.



---

[11] 1900040.5M002

[15] 09-01-2019

[30] 09-07-2018 / US / 29/655,963

[51] Cl. 6-03

[54] 桌子

Table

[73] 蘋果公司

APPLE INC.  
ONE APPLE PARK WAY,  
CUPERTINO, CALIFORNIA 95014,  
UNITED STATES

[74] CLT Patent & Trademark (H.K.) Ltd.  
Unit 09, 34/F., Office Tower,  
Convention Plaza, No. 1 Harbour Road,  
Wanchai, Hong Kong.



[11] 1900040.5M003

[15] 09-01-2019

[30] 09-07-2018 / US / 29/655,963

[51] Cl. 6-03

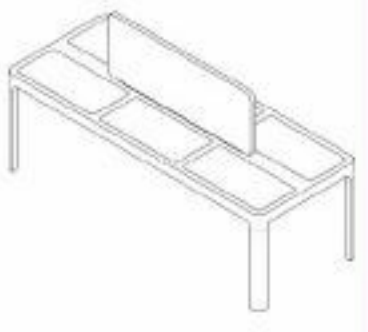
[54] 桌子

Table

[73] 蘋果公司

APPLE INC.  
ONE APPLE PARK WAY,  
CUPERTINO, CALIFORNIA 95014,  
UNITED STATES

[74] CLT Patent & Trademark (H.K.) Ltd.  
Unit 09, 34/F., Office Tower,  
Convention Plaza, No. 1 Harbour Road,  
Wanchai, Hong Kong.



[11] 1900040.5M004

[15] 09-01-2019

[30] 09-07-2018 / US / 29/655,963

[51] Cl. 6-03

[54] 桌子

Table

[73] 蘋果公司

APPLE INC.

ONE APPLE PARK WAY,

CUPERTINO, CALIFORNIA 95014,

UNITED STATES

[74] CLT Patent & Trademark (H.K.) Ltd.

Unit 09, 34/F., Office Tower,

Convention Plaza, No. 1 Harbour Road,

Wanchai, Hong Kong.



---

[11] 1900040.5M005

[15] 09-01-2019

[30] 09-07-2018 / US / 29/655,963

[51] Cl. 6-03

[54] 桌子

Table

[73] 蘋果公司

APPLE INC.

ONE APPLE PARK WAY,

CUPERTINO, CALIFORNIA 95014,

UNITED STATES

[74] CLT Patent & Trademark (H.K.) Ltd.

Unit 09, 34/F., Office Tower,

Convention Plaza, No. 1 Harbour Road,

Wanchai, Hong Kong.



---

[11] 1900040.5M006

[15] 09-01-2019

[30] 09-07-2018 / US / 29/655,963

[51] Cl. 6-03

[54] 桌子

Table

[73] 蘋果公司

APPLE INC.

ONE APPLE PARK WAY,

CUPERTINO, CALIFORNIA 95014,

UNITED STATES

[74] CLT Patent & Trademark (H.K.) Ltd.

Unit 09, 34/F., Office Tower,

Convention Plaza, No. 1 Harbour Road,

Wanchai, Hong Kong.



---

[11] 1900040.5M007

[15] 09-01-2019

[30] 09-07-2018 / US / 29/655,963

[51] Cl. 6-03

[54] 桌子

Table

[73] 蘋果公司

APPLE INC.

ONE APPLE PARK WAY,

CUPERTINO, CALIFORNIA 95014,  
UNITED STATES

- [74] CLT Patent & Trademark (H.K.) Ltd.  
Unit 09, 34/F., Office Tower,  
Convention Plaza, No. 1 Harbour Road,  
Wanchai, Hong Kong.



- 
- [11] 1900040.5M008  
[15] 09-01-2019  
[30] 09-07-2018 / US / 29/655,963  
[51] Cl. 6-03  
[54] 桌子  
Table  
[73] 蘋果公司  
APPLE INC.  
ONE APPLE PARK WAY,  
CUPERTINO, CALIFORNIA 95014,  
UNITED STATES

- [74] CLT Patent & Trademark (H.K.) Ltd.  
Unit 09, 34/F., Office Tower,  
Convention Plaza, No. 1 Harbour Road,  
Wanchai, Hong Kong.



- 
- [11] 1900043.1M001  
[15] 09-01-2019  
[51] Cl. 9-03



- [54] 煙盒  
Cigarette packet
- [73] 九洲華韻(香港)國際有限公司  
香港灣仔  
軒尼詩道 253-261 號 依時  
商業中心 1502-A 室
- [74] 卓遠知識產權有限公司  
香港上環禧利街 27 號  
富輝商業中心  
7 樓 701-702 室



- 
- [11] 1900043.1M002
- [15] 09-01-2019
- [51] Cl. 9-03
- [54] 煙盒  
Cigarette packet
- [73] 九洲華韻(香港)國際有限公司  
香港灣仔  
軒尼詩道 253-261 號 依時  
商業中心 1502-A 室
- [74] 卓遠知識產權有限公司  
香港上環禧利街 27 號  
富輝商業中心  
7 樓 701-702 室



---

[11] 1900044.3M001

[15] 09-01-2019

[30] 26-07-2018 / EM / 005515749

[51] Cl. 23-01

[54] 衛生水龍頭

Sanitary faucet

[73] Hansgrohe SE

Auestr. 5-9,  
77761 Schiltach,  
GERMANY

[74] Rouse & Co International (Overseas) Limited

18/F., Golden Centre,  
188 Des Voeux Road Central,  
Hong Kong.



---

[11] 1900044.3M002

[15] 09-01-2019

[30] 26-07-2018 / EM / 005515749

[51] Cl. 23-01

[54] 衛生水龍頭

Sanitary faucet

[73] Hansgrohe SE

Auestr. 5-9,

77761 Schiltach,

GERMANY

[74] Rouse & Co International (Overseas) Limited

18/F., Golden Centre,

188 Des Voeux Road Central,

Hong Kong.



---

[11] 1900044.3M003

[15] 09-01-2019

[30] 26-07-2018 / EM / 005515749

[51] Cl. 23-01

[54] 衛生水龍頭

Sanitary faucet

[73] Hansgrohe SE

Auestr. 5-9,

77761 Schiltach,

GERMANY

[74] Rouse & Co International (Overseas) Limited

18/F., Golden Centre,

188 Des Voeux Road Central,

Hong Kong.



---

[11] 1900044.3M004

[15] 09-01-2019

[30] 26-07-2018 / EM / 005515749

[51] Cl. 23-01

[54] 衛生配件

Sanitary fitting

[73] Hansgrohe SE

Austr. 5-9,

77761 Schiltach,

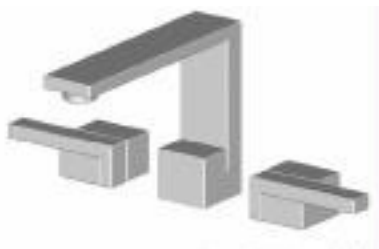
GERMANY

[74] Rouse & Co International (Overseas) Limited

18/F., Golden Centre,

188 Des Voeux Road Central,

Hong Kong.



---

[11] 1900044.3M005

[15] 09-01-2019

[30] 26-07-2018 / EM / 005515749

[51] Cl. 23-01

[54] 衛生配件

Sanitary fitting

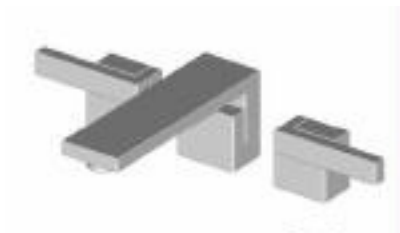
[73] Hansgrohe SE

Austr. 5-9,

77761 Schiltach,

GERMANY

- [74] Rouse & Co International (Overseas) Limited  
18/F., Golden Centre,  
188 Des Voeux Road Central,  
Hong Kong.



---

[11] 1900044.3M006

[15] 09-01-2019

[30] 26-07-2018 / EM / 005515749

[51] Cl. 23-01

[54] 衛生花灑頭裝置

Sanitary shower installation

[73] Hansgrohe SE

Austr. 5-9,

77761 Schiltach,

GERMANY

- [74] Rouse & Co International (Overseas) Limited  
18/F., Golden Centre,  
188 Des Voeux Road Central,  
Hong Kong.



---

[11] 1900044.3M007

[15] 09-01-2019

[30] 26-07-2018 / EM / 005515749

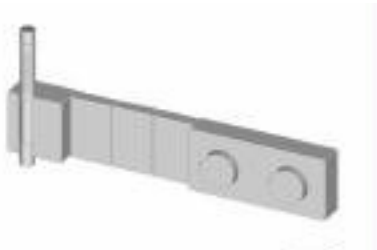
[51] Cl. 23-01

[54] 衛生花灑頭裝置

Sanitary shower installation

[73] Hansgrohe SE  
Auestr. 5-9,  
77761 Schiltach,  
GERMANY

[74] Rouse & Co International (Overseas) Limited  
18/F., Golden Centre,  
188 Des Voeux Road Central,  
Hong Kong.



---

[11] 1913132.5

[15] 05-03-2019

[30] 17-01-2019 / CN / 201930025806.X

[51] Cl. 28-03

[54] 髮型產品

Hair accessory

[73] 揚名天下有限公司

TAMARA LUXE LIMITED

FLAT D, 4/F, PHASE 4, KWUN TONG IND CENTRE,  
436-446 KWUN TONG ROAD, KWUN TONG,  
KLN. HONG KONG

[74] TAMARA LUXE LIMITED

Flat 8, 12/F,

Prosper Commercial Building, 9-13 Yin Chong Street, Kln. Hong  
Kong



[11] 1913175.6M001

[15] 11-03-2019

[30] 05-10-2018 / EU, AL, MA, NO, OM, SG, CH, TN, UA, TR / DM/103  
525

[51] Cl. 10-02

[54] 手錶

WRISTWATCH

[73] SWATCH AG (SWATCH SA) (SWATCH LTD.)

Jakob-Stämpfli-Strasse 94, CH-2502 Biel/Bienne,  
SWITZERLAND

[74] SPRUSON & FERGUSON (HONG KONG) LIMITED

5001 Hopewell Centre

183 Queen's Road East, Wan Chai

HONG KONG



---

[11] 1913175.6M002

[15] 11-03-2019

[30] 05-10-2018 / EU, AL, MA, NO, OM, SG, CH, TN, UA, TR / DM/103  
525

[51] Cl. 10-02

[54] 手錶

WRISTWATCH

[73] SWATCH AG (SWATCH SA) (SWATCH LTD.)

Jakob-Stämpfli-Strasse 94, CH-2502 Biel/Bienne,  
SWITZERLAND

[74] SPRUSON & FERGUSON (HONG KONG) LIMITED

5001 Hopewell Centre

183 Queen's Road East, Wan Chai

HONG KONG



---

[11] 1913175.6M003

[15] 11-03-2019

[30] 05-10-2018 / EU, AL, MA, NO, OM, SG, CH, TN, UA, TR / DM/103  
525

[51] Cl. 10-02

[54] 手錶

WRISTWATCH

[73] SWATCH AG (SWATCH SA) (SWATCH LTD.)

Jakob-Stämpfli-Strasse 94, CH-2502 Biel/Bienne,  
SWITZERLAND

[74] SPRUSON & FERGUSON (HONG KONG) LIMITED

5001 Hopewell Centre  
183 Queen's Road East, Wan Chai  
HONG KONG



---

[11] 1913175.6M004

[15] 11-03-2019

[30] 05-10-2018 / EU, AL, MA, NO, OM, SG, CH, TN, UA, TR / DM/103  
525

[51] Cl. 10-07

[54] 手錶配件

WRISTWATCH ACCESSORY

[73] SWATCH AG (SWATCH SA) (SWATCH LTD.)

Jakob-Stämpfli-Strasse 94, CH-2502 Biel/Bienne,  
SWITZERLAND



[74] SPRUSON & FERGUSON (HONG KONG) LIMITED  
5001 Hopewell Centre  
183 Queen's Road East, Wan Chai  
HONG KONG



---

[11] 1913175.6M005

[15] 11-03-2019

[30] 05-10-2018 / EU, AL, MA, NO, OM, SG, CH, TN, UA, TR / DM/103  
525

[51] Cl. 10-07

[54] 手錶配件

WRISTWATCH ACCESSORY

[73] SWATCH AG (SWATCH SA) (SWATCH LTD.)  
Jakob-Stämpfli-Strasse 94, CH-2502 Biel/Bienne,  
SWITZERLAND

[74] SPRUSON & FERGUSON (HONG KONG) LIMITED  
5001 Hopewell Centre  
183 Queen's Road East, Wan Chai  
HONG KONG



---

[11] 1913175.6M006

[15] 11-03-2019

[30] 05-10-2018 / EU, AL, MA, NO, OM, SG, CH, TN, UA, TR / DM/103  
525

[51] Cl. 10-07

[54] 手錶配件

WRISTWATCH ACCESSORY

[73] SWATCH AG (SWATCH SA) (SWATCH LTD.)

Jakob-Stämpfli-Strasse 94, CH-2502 Biel/Bienne,  
SWITZERLAND

[74] SPRUSON & FERGUSON (HONG KONG) LIMITED

5001 Hopewell Centre  
183 Queen's Road East, Wan Chai  
HONG KONG



---

[11] 1913247.9

[15] 19-03-2019

[51] Cl. 19-08

[54] 標籤

Label

[73] 黃金興

WONG KAM HING

香港新界 荃灣沙

咀道 362 號

全發商業大廈 15 樓 1519 室

[74] MS WING YEUNG

香港

北角英皇道 250 號

北角城中心 19 樓 1910 室



---

[11] 1913416.8M001

[15] 10-04-2019

[30] 12-10-2018 / US / 29/666,517

[51] Cl. 10-05

[54] 傳感器設備

Sensor device

[73] 馬西莫公司

MASIMO CORPORATION

52 Discovery, Irvine, CA 92618

UNITED STATES

[74] Oriental Intellectual Property Services Co.

Flat B, 38F, South Tower 3

Phase 2, Residence Bel-Air,

HONG KONG

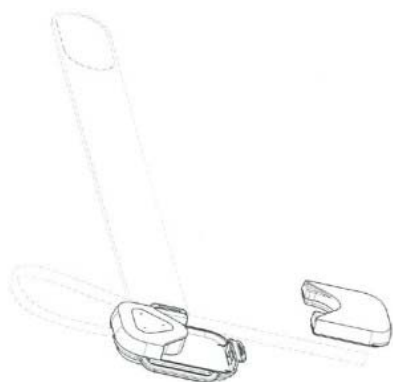


---

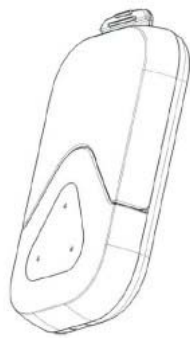
[11] 1913416.8M002

[15] 10-04-2019

- [30] 12-10-2018 / US / 29/666,517  
[51] Cl. 10-05  
[54] 傳感器設備  
Sensor device  
[73] 馬西莫公司  
MASIMO CORPORATION  
52 Discovery, Irvine, CA 92618  
UNITED STATES  
[74] Oriental Intellectual Property Services Co.  
Flat B, 38F, South Tower 3  
Phase 2, Residence Bel-Air,  
HONG KONG



- 
- [11] 1913416.8M003  
[15] 10-04-2019  
[30] 12-10-2018 / US / 29/666,517  
[51] Cl. 10-05  
[54] 傳感器設備  
Sensor device  
[73] 馬西莫公司  
MASIMO CORPORATION  
52 Discovery, Irvine, CA 92618  
UNITED STATES  
[74] Oriental Intellectual Property Services Co.  
Flat B, 38F, South Tower 3  
Phase 2, Residence Bel-Air,  
HONG KONG



---

[11] 1913416.8M004

[15] 10-04-2019

[30] 12-10-2018 / US / 29/666,517

[51] Cl. 10-05

[54] 傳感器設備

Sensor device

[73] 馬西莫公司

MASIMO CORPORATION

52 Discovery, Irvine, CA 92618

UNITED STATES

[74] Oriental Intellectual Property Services Co.

Flat B, 38F, South Tower 3

Phase 2, Residence Bel-Air,

HONG KONG



---

[11] 1913420.6

[15] 11-04-2019

[51] Cl. 21-01

[54] 積木玩具

Toy building block

[73] Royal Toys (HK) Co., Limited

香港荃灣

荃灣橫龍街 55-57 號

利時工業大廈 7 樓

[74] Royal Toys (HK) Co., Limited

香港荃灣

荃灣橫龍街 55-57 號

利時工業大廈 7 樓



---

[11] 1913423.2

[15] 11-04-2019

[51] Cl. 11-02

[54] 圓形絲花裝飾

Round shaped silk flower ornament

[73] Wong Ho Yan Cathy

Flat C, 36th Floor, , Tower 2, The Long Beach,  
8 Hoi Fai Road, Kowloon, HONG KONG

[74] Wong Ho Yan Cathy

Flat C, 36th Floor, , Tower 2, The Long Beach,  
8 Hoi Fai Road, Kowloon, HONG KONG



---

[11] 1913424.4

[15] 11-04-2019

[30] 29-03-2019 / IN / 316254-001

[51] Cl. 14-01

[54] 音頻播放器

Audio player

[73] SAREGAMA INDIA LIMITED

33 Jessore Road, Dumdum

Kolkata - 700028

West Bengal

INDIA

[74] DEACONS

5th Floor, Alexandra House

Central

HONG KONG



[11] 1913429.5

[15] 11-04-2019

[51] Cl. 14-06

[54] 手機支架

Phone holder

[73] Area Plus Limited

SUITE 13, 8/F., NEW CITY CENTRE

2 LEI YUE MUN ROAD, KWUN TONG, KOWLOON

HONG KONG

[74] Area Plus Limited

SUITE 13, 8/F., NEW CITY CENTRE

2 LEI YUE MUN ROAD, KWUN TONG, KOWLOON

HONG KONG



---

[11] 1913433.3

[15] 11-04-2019

[30] 15-10-2018 / US / 29/666,665

[51] Cl. 3-01

[54] 背包

Backpack

[73] Helen of Troy Limited

The Phoenix Centre

George Street, Belleville, St. Michael

BARBADOS

[74] BIRD & BIRD

4/F Three Pacific Place

1 Queen's Road East

HONG KONG





---

[11] 1913438.4

[15] 12-04-2019

[30] 04-12-2018 / CN / 201830696213.1

[51] Cl. 20-02

[54] 展示櫃

Showcase

[73] K11 集團有限公司

K11 Group Limited

10/F, Inter-Continental Plaza,

94 Granville Road, Tsim Sha Tsui, Kowloon,

HONG KONG

[74] EAGLE IP LIMITED

Room 509, Global Gateway Tower,

63 Wing Hong Street, Lai Chi Kok, Kowloon,

HONG KONG



[11] 1913439.6M001

[15] 12-04-2019

[30] 06-12-2018 / CN / 201830703923.2

[51] Cl. 13-03

[54] 充電盒

Power station

[73] K11 集團有限公司

K11 Group Limited

10/F, Inter-Continental Plaza,

94 Granville Road, Tsim Sha Tsui, Kowloon,

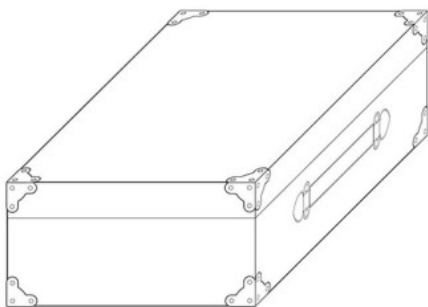
HONG KONG

[74] EAGLE IP LIMITED

Room 509, Global Gateway Tower,

63 Wing Hong Street, Lai Chi Kok, Kowloon,

HONG KONG



---

[11] 1913439.6M002

[15] 12-04-2019

[30] 06-12-2018 / CN / 201830703923.2

[51] Cl. 13-03

[54] 充電盒

Power station

[73] K11 集團有限公司

K11 Group Limited

10/F, Inter-Continental Plaza,

94 Granville Road, Tsim Sha Tsui, Kowloon,

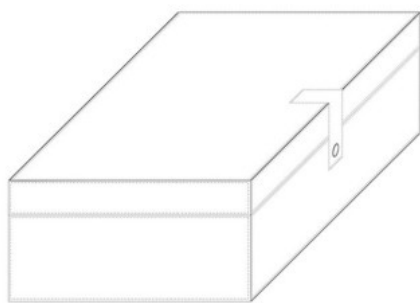
HONG KONG

[74] EAGLE IP LIMITED

Room 509, Global Gateway Tower,

63 Wing Hong Street, Lai Chi Kok, Kowloon,

HONG KONG



---

[11] 1913439.6M003

[15] 12-04-2019

[30] 06-12-2018 / CN / 201830703923.2

[51] Cl. 13-03

[54] 充電盒

Power station

[73] K11 集團有限公司

K11 Group Limited

10/F, Inter-Continental Plaza,

94 Granville Road, Tsim Sha Tsui, Kowloon,

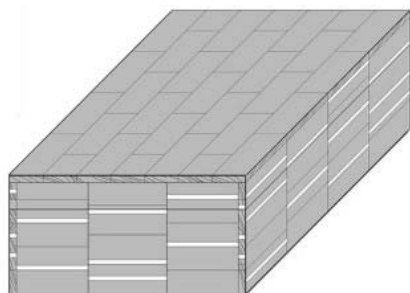
HONG KONG

[74] EAGLE IP LIMITED

Room 509, Global Gateway Tower,

63 Wing Hong Street, Lai Chi Kok, Kowloon,

HONG KONG



---

[11] 1913442.2

[15] 12-04-2019

[30] 19-02-2019 / CN / 201930068420.7

[51] Cl. 9-05

[54] 收納袋

Storing bag

[73] K11 集團有限公司  
K11 Group Limited  
10/F, Inter-Continental Plaza,  
94 Granville Road, Tsim Sha Tsui, Kowloon,  
HONG KONG

[74] EAGLE IP LIMITED  
Room 509, Global Gateway Tower,  
63 Wing Hong Street, Lai Chi Kok, Kowloon,  
HONG KONG



---

[11] 1913444.6M001

[15] 12-04-2019

[30] 15-10-2018 / EU / 005799004

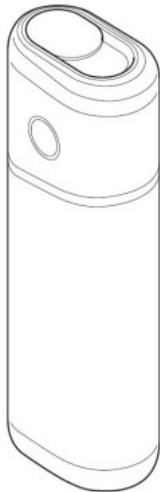
[51] Cl. 27-99

[54] 氣霧產生裝置

Aerosol generating device

[73] Nicoventures Trading Limited  
Globe House  
1 Water Street, London, WC2R 3LA  
UNITED KINGDOM

[74] BARRON & YOUNG INTELLECTUAL PROPERTY LIMITED  
Suite 617, Lakeside 2  
No. 10 Science Park West Avenue, Hong Kong Science Park,  
Shatin, N.T.  
HONG KONG



---

[11] 1913444.6M002

[15] 12-04-2019

[30] 15-10-2018 / EU / 005799004

[51] Cl. 27-99

[54] 氣霧產生裝置

Aerosol generating device

[73] Nicoventures Trading Limited

Globe House

1 Water Street, London, WC2R 3LA

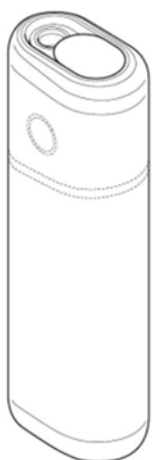
UNITED KINGDOM

[74] BARRON & YOUNG INTELLECTUAL PROPERTY LIMITED

Suite 617, Lakeside 2

No. 10 Science Park West Avenue, Hong Kong Science Park,  
Shatin, N.T.

HONG KONG



[11] 1913445.9M001

[15] 12-04-2019

[30] 15-10-2018 / EU / 005799012

[51] Cl. 27-99

[54] 氣霧產生裝置

Aerosol generating device

[73] Nicoventures Trading Limited

Globe House

1 Water Street, London, WC2R 3LA

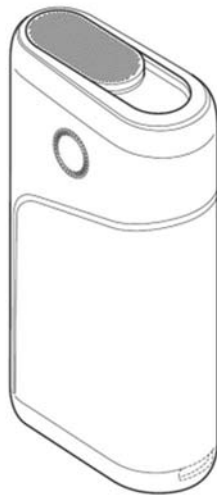
UNITED KINGDOM

[74] BARRON & YOUNG INTELLECTUAL PROPERTY LIMITED

Suite 617, Lakeside 2

No. 10 Science Park West Avenue, Hong Kong Science Park,  
Shatin, N.T.

HONG KONG



---

[11] 1913445.9M002

[15] 12-04-2019

[30] 15-10-2018 / EU / 005799012

[51] Cl. 27-99

[54] 氣霧產生裝置

Aerosol generating device

[73] Nicoventures Trading Limited

Globe House

1 Water Street, London, WC2R 3LA

UNITED KINGDOM

[74] BARRON & YOUNG INTELLECTUAL PROPERTY LIMITED

Suite 617, Lakeside 2

No. 10 Science Park West Avenue, Hong Kong Science Park,

Shatin, N.T.

HONG KONG



---

[11] 1913446.1

[15] 15-04-2019

[51] Cl. 28-03

[54] 男士用面膜

Mask for men

[73] 金潤荃

Kim minkyung

658-3 PANGYO-DONG,

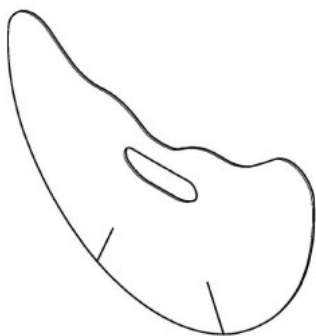
BUNDANG-GU, SEONGNAM-SI, GYEONGGI-DO

KOREA, REPUBLIC OF

[74] CHINA PATENT AGENT (HONG KONG) LIMITED

22/F, Great Eagle Centre, 23 Harbour Road, Wanchai

HONG KONG



---

[11] 1913447.3

[15] 15-04-2019

[30] 12-12-2018 / EU / 005887122-0001

[51] Cl. 28-03

[54] 吹風機的配件

Accessories for hair dryers

[73] Dyson Technology Limited

Tetbury Hill, Malmesbury, Wiltshire, SN16 0RP

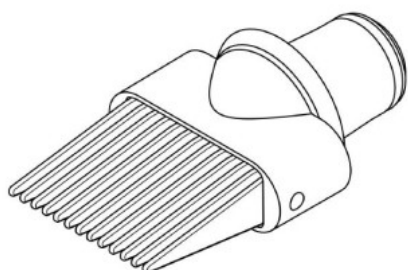
UNITED KINGDOM

[74] LIU, SHEN & ASSOCIATES

Room 3716, 37/F, Sun Hung Kai Centre,

30 Harbour Road, Wanchai,

HONG KONG



---

[11] 1913448.5

[15] 15-04-2019

[30] 29-11-2018 / EU / 005838448-0001

[51] Cl. 23-04

[54] 空氣潔淨器

Air purifier

[73] Dyson Technology Limited

Tetbury Hill, Malmesbury, Wiltshire, SN16 0RP

UNITED KINGDOM

[74] LIU, SHEN & ASSOCIATES

Room 3716, 37/F, Sun Hung Kai Centre,

30 Harbour Road, Wanchai,

HONG KONG





---

[11] 1913450.9M001

[15] 15-04-2019

[51] Cl. 11-01

[54] 飾物設計

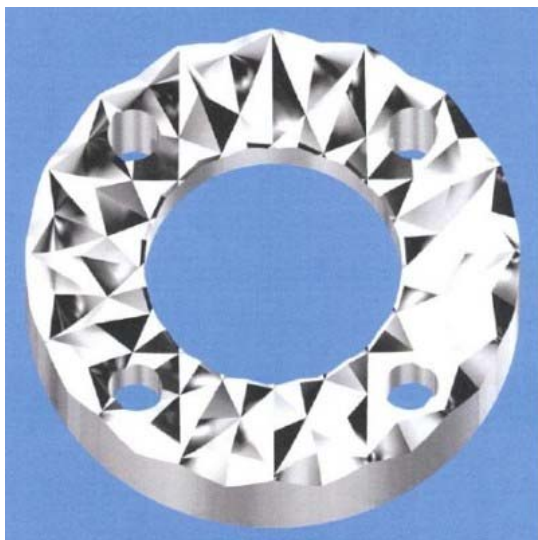
Ornament design

[73] 六福集團有限公司

Luk Fook Holdings Company Limited  
Floor 15, 20, 25 & 27, Metropole Square,  
No.2 On Yiu Street, Shatin, New Territories,  
HONG KONG

[74] Luk Fook Holdings Company Limited

(Legal Affairs Department)  
Floor 25, Metropole Square  
No.2 On Yiu Street, Shatin, New Territories,  
HONG KONG



[11] 1913450.9M002

[15] 15-04-2019

[51] Cl. 11-01

[54] 飾物設計

Ornament design

[73] 六福集團有限公司

Luk Fook Holdings Company Limited

Floor 15, 20, 25 & 27, Metropole Square,

No.2 On Yiu Street, Shatin, New Territories,

HONG KONG

[74] Luk Fook Holdings Company Limited

(Legal Affairs Department)

Floor 25, Metropole Square

No.2 On Yiu Street, Shatin, New Territories,

HONG KONG



[11] 1913450.9M003

[15] 15-04-2019

[51] Cl. 11-01

[54] 飾物設計

Ornament design

[73] 六福集團有限公司

Luk Fook Holdings Company Limited

Floor 15, 20, 25 & 27, Metropole Square,

No.2 On Yiu Street, Shatin, New Territories,

HONG KONG

[74] Luk Fook Holdings Company Limited

(Legal Affairs Department)

Floor 25, Metropole Square

No.2 On Yiu Street, Shatin, New Territories,

HONG KONG



[11] 1913451.1

[15] 15-04-2019

[30] 16-10-2018 / JP / 2018 of 022641

[51] Cl. 28-03

[54] 面部肌肉鍛煉器具

Facial muscle exerciser

[73] 株式會社 MTG

MTG Co., Ltd.

32, HONJIN-DORI 2-CHOME, NAKAMURA-KU, NAGOYA-SHI, AICHI-KEN

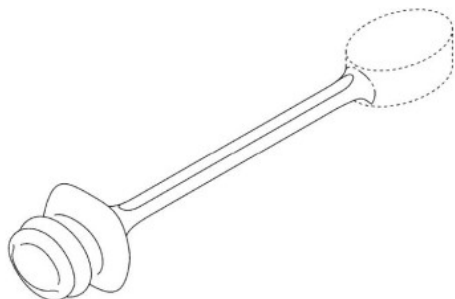
453-0041

JAPAN

[74] CHINAHONGKONG IP LIMITED

3011, 30/F, Office Tower, Convention Plaza, 1 Harbour Road

HONG KONG



[11] 1913452.3M001

[15] 15-04-2019

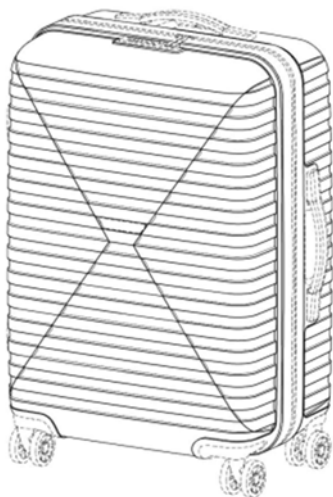
[51] Cl. 3-01

[54] 行李箱

Luggage

[73] 新秀麗 IP 控股有限責任公司  
Samsonite IP Holdings S.à r.l.  
13-15 avenue de la Liberté  
L-1931 Luxembourg  
LUXEMBOURG

[74] WILKINSON & GRIST  
6th Floor, Prince's Building  
Chater Road  
HONG KONG



---

[11] 1913452.3M002

[15] 15-04-2019

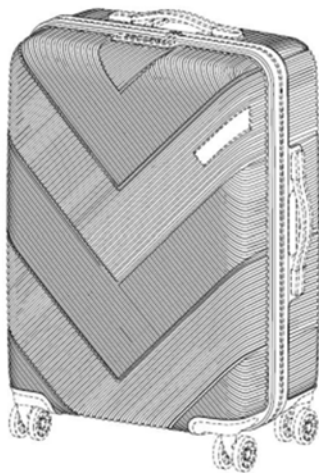
[51] Cl. 3-01

[54] 行李箱

Luggage

[73] 新秀麗 IP 控股有限責任公司  
Samsonite IP Holdings S.à r.l.  
13-15 avenue de la Liberté  
L-1931 Luxembourg  
LUXEMBOURG

[74] WILKINSON & GRIST  
6th Floor, Prince's Building  
Chater Road  
HONG KONG



---

[11] 1913453.5M001

[15] 15-04-2019

[51] Cl. 11-02

[54] 鐘擺波形擺件

Wave pendulum shaped decor item

[73] 畢題斯貿易有限公司

BTS Trading GmbH

Muehlenstrasse 58, D-25436 Uetersen

GERMANY

托斯頓·貝恩德·施奈德

Torsten Bernd Schneider

Muehlenstrasse 58, D-25436 Uetersen

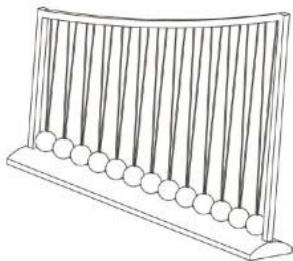
GERMANY

[74] 江炳滔律師事務所

香港灣仔

告士打道 160 號 海外信託銀

行大廈 19 樓 B 室



[11] 1913453.5M002

[15] 15-04-2019

[51] Cl. 11-02

[54] 鐘擺波形擺件

Wave pendulum shaped decor item

[73] 畢題斯貿易有限公司

BTS Trading GmbH

Muehlenstrasse 58, D-25436 Uetersen

GERMANY

托斯頓·貝恩德·施奈德

Torsten Bernd Schneider

Muehlenstrasse 58, D-25436 Uetersen

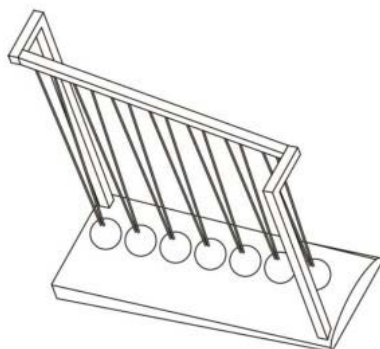
GERMANY

[74] 江炳滔律師事務所

香港灣仔

告士打道 160 號 海外信託銀

行大廈 19 樓 B 室



---

[11] 1913453.5M003

[15] 15-04-2019

[51] Cl. 11-02

[54] 鐘擺波形擺件

Wave pendulum shaped decor item

[73] 畢題斯貿易有限公司

BTS Trading GmbH

Muehlenstrasse 58, D-25436 Uetersen

GERMANY

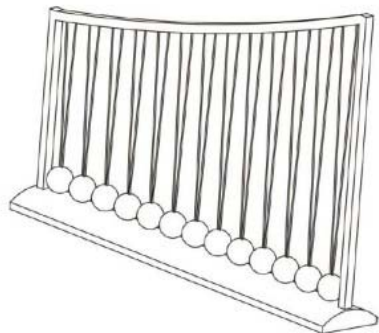
托斯頓·貝恩德·施奈德

Torsten Bernd Schneider

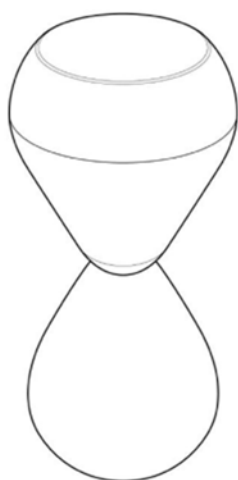
Muehlenstrasse 58, D-25436 Uetersen

GERMANY

- [74] 江炳滔律師事務所  
香港灣仔  
告士打道 160 號 海外信託銀  
行大廈 19 樓 B 室



- 
- [11] 1913455.0  
[15] 15-04-2019  
[30] 23-10-2018 / EU / 005805702-0001  
[51] Cl. 24-04  
[54] 吸盤  
Suction cup  
[73] CHA LING  
24-32 rue Jean Goujon  
75008 PARIS  
FRANCE  
[74] ABLE CONSULTANCY SERVICES LIMITED  
Room 403, Lai Fai Building  
8 Pottinger Street, Central  
HONG KONG



[11] 1913456.2M001

[15] 15-04-2019

[30] 19-10-2018 / JP / 2018 of 023002

[51] Cl. 28-03

[54] 眼部穴位按摩工具

Points pressing tool for eyes

[73] 花王株式會社

Kao Kabushiki Kaisha (Kao Corporation)

14-10, Nihonbashi Kayabacho 1-chome, Chuo-ku, Tokyo

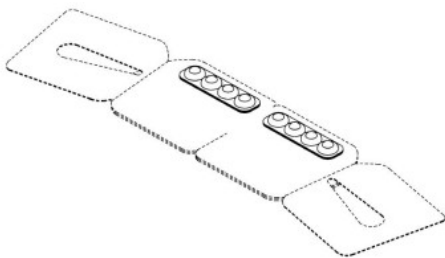
JAPAN

[74] CHINAHONGKONG PATENT LIMITED

3012, 30/F, Office Tower, Convention Plaza, 1 Harbour Road

HONG KONG

HONG KONG



---

[11] 1913456.2M002

[15] 15-04-2019

[30] 19-10-2018 / JP / 2018 of 023020

[51] Cl. 28-03

[54] 眼部穴位按摩工具

Points pressing tool for eyes

[73] 花王株式會社

Kao Kabushiki Kaisha (Kao Corporation)

14-10, Nihonbashi Kayabacho 1-chome, Chuo-ku, Tokyo

JAPAN

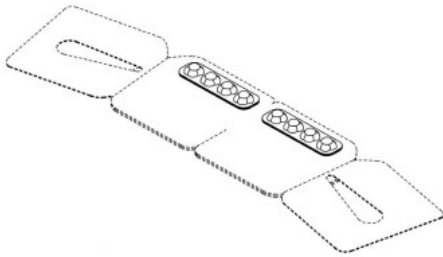
[74] CHINAHONGKONG PATENT LIMITED

3012, 30/F, Office Tower, Convention Plaza, 1 Harbour Road

HONG KONG

HONG KONG





---

[11] 1913456.2M003

[15] 15-04-2019

[30] 19-10-2018 / JP / 2018 of 023021

[51] Cl. 28-03

[54] 眼部穴位按摩工具

Points pressing tool for eyes

[73] 花王株式會社

Kao Kabushiki Kaisha (Kao Corporation)

14-10, Nihonbashi Kayabacho 1-chome, Chuo-ku, Tokyo

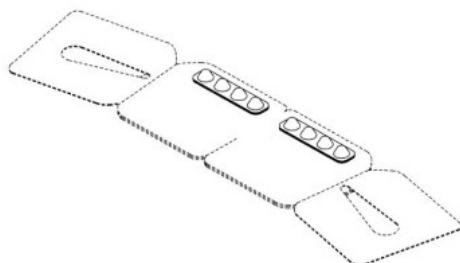
JAPAN

[74] CHINAHONGKONG PATENT LIMITED

3012, 30/F, Office Tower, Convention Plaza, 1 Harbour Road

HONG KONG

HONG KONG



---

[11] 1913457.4M001

[15] 15-04-2019

[30] 19-10-2018 / JP / 2018 of 023003

[51] Cl. 28-03

[54] 穴位按摩工具

Points pressing tool

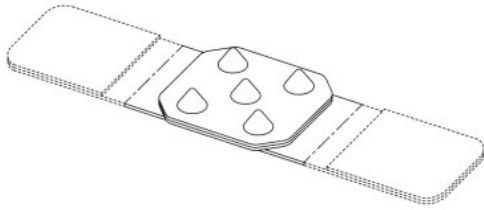
[73] 花王株式會社

Kao Kabushiki Kaisha (Kao Corporation)

14-10, Nihonbashi Kayabacho 1-chome, Chuo-ku, Tokyo

JAPAN

[74] CHINAHONGKONG PATENT LIMITED  
3012, 30/F, Office Tower, Convention Plaza, 1 Harbour Road  
HONG KONG  
HONG KONG



---

[11] 1913457.4M002

[15] 15-04-2019

[30] 19-10-2018 / JP / 2018 of 023018

[51] Cl. 28-03

[54] 穴位按摩工具

Points pressing tool

[73] 花王株式會社

Kao Kabushiki Kaisha (Kao Corporation)

14-10, Nihonbashi Kayabacho 1-chome, Chuo-ku, Tokyo

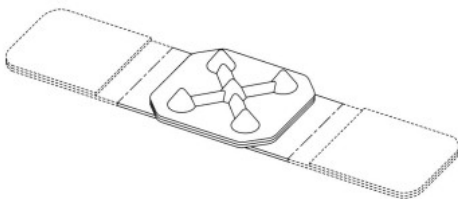
JAPAN

[74] CHINAHONGKONG PATENT LIMITED

3012, 30/F, Office Tower, Convention Plaza, 1 Harbour Road

HONG KONG

HONG KONG



---

[11] 1913457.4M003

[15] 15-04-2019

[30] 19-10-2018 / JP / 2018 of 023004

[51] Cl. 28-03

[54] 穴位按摩工具

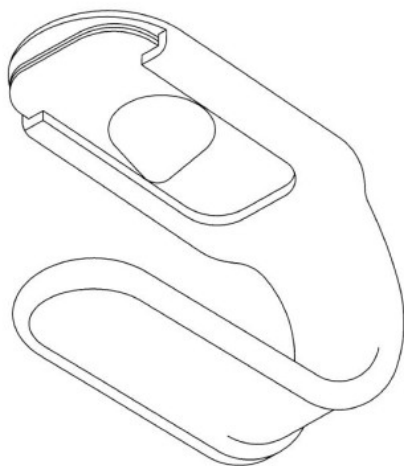
Points pressing tool

[73] 花王株式會社

Kao Kabushiki Kaisha (Kao Corporation)

14-10, Nihonbashi Kayabacho 1-chome, Chuo-ku, Tokyo  
JAPAN

[74] CHINAHONGKONG PATENT LIMITED  
3012, 30/F, Office Tower, Convention Plaza, 1 Harbour Road  
HONG KONG  
HONG KONG



---

[11] 1913457.4M004

[15] 15-04-2019

[30] 19-10-2018 / JP / 2018 of 023019

[51] Cl. 28-03

[54] 穴位按摩工具

Points pressing tool

[73] 花王株式會社

Kao Kabushiki Kaisha (Kao Corporation)

14-10, Nihonbashi Kayabacho 1-chome, Chuo-ku, Tokyo

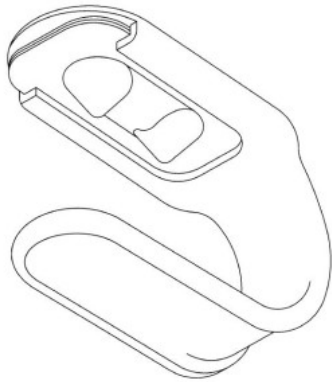
JAPAN

[74] CHINAHONGKONG PATENT LIMITED

3012, 30/F, Office Tower, Convention Plaza, 1 Harbour Road

HONG KONG

HONG KONG



---

[11] 1913458.6

[15] 15-04-2019

[30] 15-02-2019 / US / 29/680,363

[51] Cl. 14-01

[54] 耳機

Headset

[73] Bose Corporation

The Mountain, MS 3B1

Framingham, Massachusetts 01701-9168

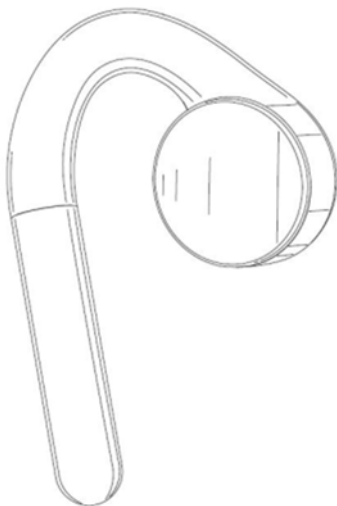
UNITED STATES

[74] WENPING & CO

1701 Tung Wai Commercial Building,

111 Gloucester Road,

HONG KONG



---

[11] 1913459.8

[15] 15-04-2019

[51] Cl. 6-04

[54] 櫃

Cabinet

[73] New World Development Company Limited

30th Floor, New World Tower

18 Queens' Road Central

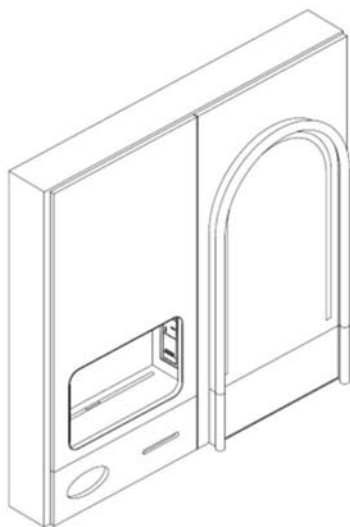
HONG KONG

[74] MARKS & CLERK

Level 9, Cyberport 1

100 Cyberport Road, Pok Fu Lam

HONG KONG



---

[11] 1913460.0M001

[15] 16-04-2019

[30] 23-11-2018 / LI / 2018-975

[51] Cl. 10-02

[54] 錶

Watch

[73] SWAROVSKI AKTIENGESELLSCHAFT

Dröschistrasse 15, 9495 Triesen,

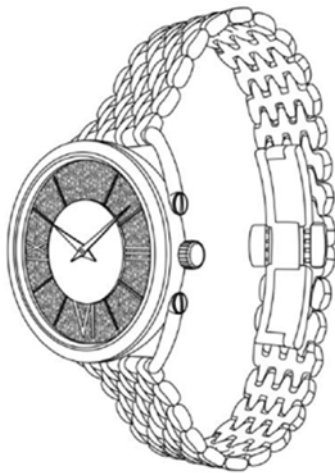
LIECHTENSTEIN

[74] BAKER & MCKENZIE

14th Floor, One Taikoo Place

979 King's Road, Quarry Bay

HONG KONG



---

[11] 1913460.0M002

[15] 16-04-2019

[30] 23-11-2018 / LI / 2018-975

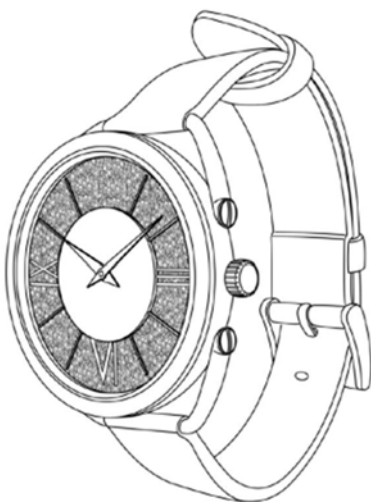
[51] Cl. 10-02

[54] 錶

Watch

[73] SWAROVSKI AKTIENGESELLSCHAFT  
Dröschistrasse 15, 9495 Triesen,  
LIECHTENSTEIN

[74] BAKER & MCKENZIE  
14th Floor, One Taikoo Place  
979 King's Road, Quarry Bay  
HONG KONG



---

[11] 1913460.0M003

[15] 16-04-2019

[30] 23-11-2018 / LI / 2018-975

[51] Cl. 10-02

[54] 錶

Watch

[73] SWAROVSKI AKTIENGESELLSCHAFT

Dröschistrasse 15, 9495 Triesen,  
LIECHTENSTEIN

[74] BAKER & MCKENZIE

14th Floor, One Taikoo Place  
979 King's Road, Quarry Bay  
HONG KONG



---

[11] 1913460.0M004

[15] 16-04-2019

[30] 23-11-2018 / LI / 2018-975

[51] Cl. 10-02

[54] 錶

Watch

[73] SWAROVSKI AKTIENGESELLSCHAFT

Dröschistrasse 15, 9495 Triesen,  
LIECHTENSTEIN

[74] BAKER & MCKENZIE

14th Floor, One Taikoo Place  
979 King's Road, Quarry Bay  
HONG KONG



---

[11] 1913460.0M005

[15] 16-04-2019

[30] 23-11-2018 / LI / 2018-975

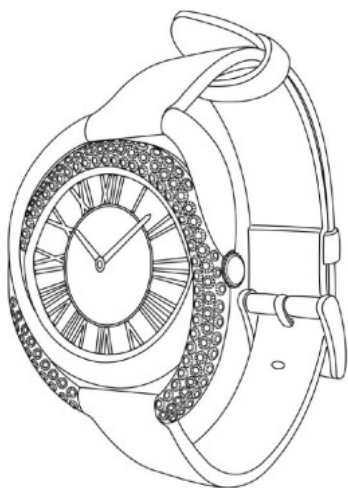
[51] Cl. 10-02

[54] 錶

Watch

[73] SWAROVSKI AKTIENGESELLSCHAFT  
Dröschistrasse 15, 9495 Triesen,  
LIECHTENSTEIN

[74] BAKER & MCKENZIE  
14th Floor, One Taikoo Place  
979 King's Road, Quarry Bay  
HONG KONG



---

[11] 1913460.0M006

[15] 16-04-2019

[30] 23-11-2018 / LI / 2018-975



[51] Cl. 10-02

[54] 錶

Watch

[73] SWAROVSKI AKTIENGESELLSCHAFT  
Dröschistrasse 15, 9495 Triesen,  
LIECHTENSTEIN

[74] BAKER & MCKENZIE  
14th Floor, One Taikoo Place  
979 King's Road, Quarry Bay  
HONG KONG



---

[11] 1913462.4M001

[15] 16-04-2019

[30] 17-10-2018 / EM / 005800307-0001

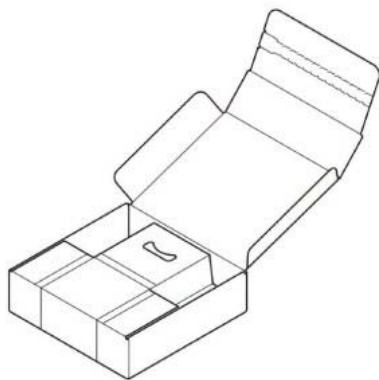
[51] Cl. 9-03

[54] 包裝盒

Packaging box

[73] 雷克特本克斯爾健康有限公司  
Reckitt Benckiser Health Limited  
103-105 Bath Road  
Slough, Berkshire, SL1 3UH  
UNITED KINGDOM

[74] SANYOU INTERNATIONAL INTELLECTUAL PROPERTY AGENCY (HONG KONG)  
LIMITED  
ROOM 601, 6/F., YUE XIU BUILDING  
160-174 LOCKHART ROAD, WANCHAI  
HONG KONG



---

[11] 1913462.4M002

[15] 16-04-2019

[30] 17-10-2018 / EM / 005800307-0002

[51] Cl. 9-03

[54] 包裝盒

Packaging box

[73] 雷克特本克斯爾健康有限公司

Reckitt Benckiser Health Limited

103-105 Bath Road

Slough, Berkshire, SL1 3UH

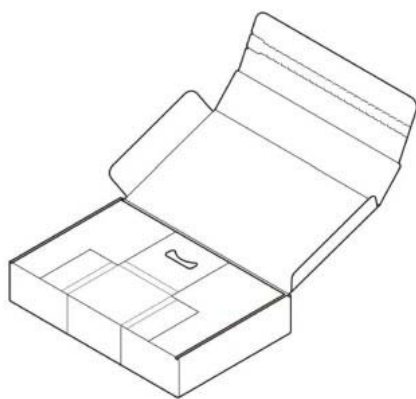
UNITED KINGDOM

[74] SANYOU INTERNATIONAL INTELLECTUAL PROPERTY AGENCY (HONG KONG)  
LIMITED

ROOM 601, 6/F., YUE XIU BUILDING

160-174 LOCKHART ROAD, WANCHAI

HONG KONG



---

[11] 1913462.4M003

[15] 16-04-2019

[30] 17-10-2018 / EM / 005800307-0003

[51] Cl. 9-03

[54] 包裝盒

Packaging box

[73] 雷克特本克斯爾健康有限公司

Reckitt Benckiser Health Limited

103-105 Bath Road

Slough, Berkshire, SL1 3UH

UNITED KINGDOM

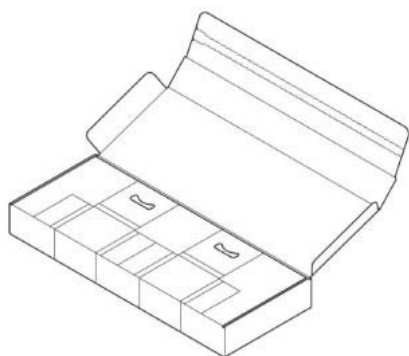
[74] SANYOU INTERNATIONAL INTELLECTUAL PROPERTY AGENCY (HONG KONG)

LIMITED

ROOM 601, 6/F., YUE XIU BUILDING

160-174 LOCKHART ROAD, WANCHAI

HONG KONG



---

[11] 1913462.4M004

[15] 16-04-2019

[30] 17-10-2018 / EM / 005800307-0004

[51] Cl. 9-03

[54] 包裝盒

Packaging box

[73] 雷克特本克斯爾健康有限公司

Reckitt Benckiser Health Limited

103-105 Bath Road

Slough, Berkshire, SL1 3UH

UNITED KINGDOM

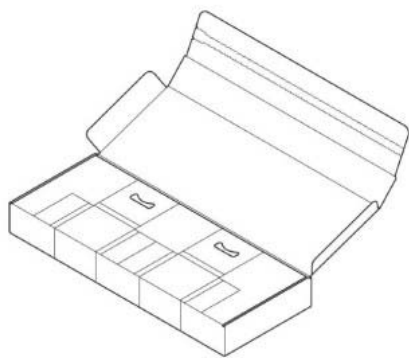
[74] SANYOU INTERNATIONAL INTELLECTUAL PROPERTY AGENCY (HONG KONG)

LIMITED

ROOM 601, 6/F., YUE XIU BUILDING

160-174 LOCKHART ROAD, WANCHAI

HONG KONG



---

[11] 1913465.1

[15] 16-04-2019

[30] 19-10-2018 / CN / 201830586372.6

[51] Cl. 13-02

[54] 無線充電器

Wireless charger

[73] 北京小米移動軟件有限公司

Beijing Xiaomi Mobile Software Co., Ltd.

中國內地 北京市海澱區清河

中街 68 號

華潤五彩城購物中心二期 9 層 01 房間

[74] 隆天專利商標代理有限公司

香港

九龍青山道 485 號

九龍廣場 10 樓 11 室



---

[11] 1913466.3

[15] 17-04-2019

[30] 18-10-2018 / EU / 005802246-0003

[51] Cl. 9-03

[54] 化妝盒

Cosmetics box

[73] Pat McGrath Cosmetics LLC

126 Fifth Avenue

New York, NY 10011

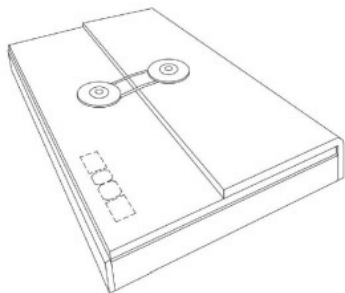
UNITED STATES

[74] DEACONS

5th Floor, Alexandra House

Central

HONG KONG



[11] 1913467.5M001

[15] 17-04-2019

[51] Cl. 9-03

[54] 包裝盒

Packaging box

[73] 卡萊美化妝品有限公司

Colourmix Cosmetics Company Limited

10th Floor, Wyler Centre, Phase 2

192-200 Tai Lin Pai Road

Kwai Chung, New Territories

HONG KONG

[74] MARKPAL IP LIMITED

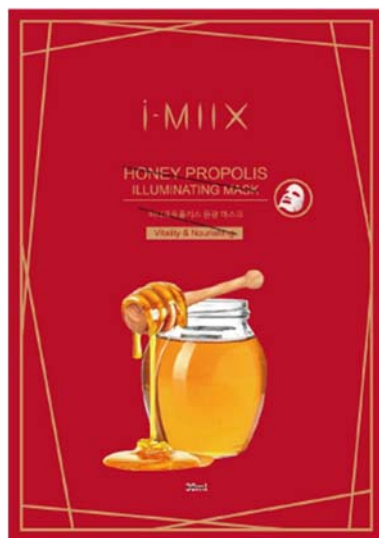
Unit A, 11/F Amtel Building

144-148 Des Voeux Road Central

HONG KONG



- 
- [11] 1913467.5M002  
[15] 17-04-2019  
[51] Cl. 9-05  
[54] 面膜包裝袋  
Pouch for packaging mask pack  
[73] 卡萊美化妝品有限公司  
Colourmix Cosmetics Company Limited  
10th Floor, Wyler Centre, Phase 2  
192-200 Tai Lin Pai Road  
Kwai Chung, New Territories  
HONG KONG  
[74] MARKPAL IP LIMITED  
Unit A, 11/F Amtel Building  
144-148 Des Voeux Road Central  
HONG KONG



- 
- [11] 1913468.7  
[15] 17-04-2019  
[30] 18-10-2018 / US / 29/667,175  
[51] Cl. 11-01  
[54] 耳環  
Ear ring  
[73] JEWELRY DESIGNER SHOWCASE, INC.  
42 West 48th Street - 6th Floor  
New York NY 10036  
UNITED STATES  
[74] MARKS & CLERK  
Level 9, Cyberport 1

100 Cyberport Road, Pok Fu Lam  
HONG KONG



---

[11] 1913469.9

[15] 17-04-2019

[30] 19-10-2018 / US / 29/667,215

[51] Cl. 11-01

[54] 耳環

Ear ring

[73] JEWELRY DESIGNER SHOWCASE, INC.  
42 West 48th Street - 6th Floor  
New York NY 10036  
UNITED STATES

[74] MARKS & CLERK

Level 9, Cyberport 1  
100 Cyberport Road, Pok Fu Lam  
HONG KONG



- [11] 1913470.1  
[15] 17-04-2019  
[30] 19-10-2018 / US / 29/667,261  
[51] Cl. 11-01  
[54] 戒指  
Ring  
[73] JEWELRY DESIGNER SHOWCASE, INC.  
42 West 48th Street - 6th Floor  
New York NY 10036  
UNITED STATES  
[74] MARKS & CLERK  
Level 9, Cyberport 1  
100 Cyberport Road, Pok Fu Lam  
HONG KONG



- 
- [11] 1913477.6M001  
[15] 18-04-2019  
[30] 05-12-2018 / CN / 201830700957.6  
[51] Cl. 9-03  
[54] 包裝盒  
Packaging box  
[73] 京都念慈菴總廠有限公司  
NIN JIOM MEDICINE MANUFACTORY (HONG KONG) LIMITED  
50 Wang Lee Street, Yuen Long Industrial Estate  
Yuen Long, N.T.  
HONG KONG  
[74] MARKS & CLERK  
Level 9, Cyberport 1  
100 Cyberport Road, Pok Fu Lam  
HONG KONG





[11] 1913477.6M002

[15] 18-04-2019

[30] 05-12-2018 / CN / 201830700958.0

[51] Cl. 9-03

[54] 包裝罐

Packaging can

[73] 京都念慈菴總廠有限公司

NIN JIOM MEDICINE MANUFACTORY (HONG KONG) LIMITED

50 Wang Lee Street, Yuen Long Industrial Estate

Yuen Long, N.T.

HONG KONG

[74] MARKS & CLERK

Level 9, Cyberport 1

100 Cyberport Road, Pok Fu Lam

HONG KONG



[11] 1913477.6M003

[15] 18-04-2019

[30] 05-12-2018 / CN / 201830700956.1

[51] Cl. 9-03

[54] 包裝盒

Packaging box

- [73] 京都念慈菴總廠有限公司  
NIN JIOM MEDICINE MANUFACTORY (HONG KONG) LIMITED  
50 Wang Lee Street, Yuen Long Industrial Estate  
Yuen Long, N.T.  
HONG KONG
- [74] MARKS & CLERK  
Level 9, Cyberport 1  
100 Cyberport Road, Pok Fu Lam  
HONG KONG



- 
- [11] 1913477.6M004  
[15] 18-04-2019  
[30] 05-12-2018 / CN / 201830700956.1  
[51] Cl. 9-03  
[54] 包裝盒  
Packaging box
- [73] 京都念慈菴總廠有限公司  
NIN JIOM MEDICINE MANUFACTORY (HONG KONG) LIMITED  
50 Wang Lee Street, Yuen Long Industrial Estate  
Yuen Long, N.T.  
HONG KONG
- [74] MARKS & CLERK  
Level 9, Cyberport 1  
100 Cyberport Road, Pok Fu Lam  
HONG KONG



[11] 1913477.6M005

[15] 18-04-2019

[30] 05-12-2018 / CN / 201830700320.7

[51] Cl. 9-03

[54] 包裝盒

Packaging box

[73] 京都念慈菴總廠有限公司

NIN JIOM MEDICINE MANUFACTORY (HONG KONG) LIMITED

50 Wang Lee Street, Yuen Long Industrial Estate

Yuen Long, N.T.

HONG KONG

[74] MARKS & CLERK

Level 9, Cyberport 1

100 Cyberport Road, Pok Fu Lam

HONG KONG



[11] 1913477.6M006

- [15] 18-04-2019
- [30] 05-12-2018 / CN / 201830700320.7
- [51] Cl. 9-03
- [54] 包裝袋  
Packaging bag
- [73] 京都念慈菴總廠有限公司  
NIN JIOM MEDICINE MANUFACTORY (HONG KONG) LIMITED  
50 Wang Lee Street, Yuen Long Industrial Estate  
Yuen Long, N.T.  
HONG KONG
- [74] MARKS & CLERK  
Level 9, Cyberport 1  
100 Cyberport Road, Pok Fu Lam  
HONG KONG



- 
- [11] 1913477.6M007
- [15] 18-04-2019
- [30] 11-01-2019 / CN / 201930016161.3
- [51] Cl. 9-03
- [54] 包裝盒  
Packaging box
- [73] 京都念慈菴總廠有限公司  
NIN JIOM MEDICINE MANUFACTORY (HONG KONG) LIMITED  
50 Wang Lee Street, Yuen Long Industrial Estate  
Yuen Long, N.T.  
HONG KONG
- [74] MARKS & CLERK  
Level 9, Cyberport 1  
100 Cyberport Road, Pok Fu Lam  
HONG KONG



---

[11] 1913477.6M008

[15] 18-04-2019

[30] 11-01-2019 / CN / 201930016456.0

[51] Cl. 9-03

[54] 包裝盒

Packaging box

[73] 京都念慈堂總廠有限公司

NIN JIOM MEDICINE MANUFACTORY (HONG KONG) LIMITED

50 Wang Lee Street, Yuen Long Industrial Estate

Yuen Long, N.T.

HONG KONG

[74] MARKS & CLERK

Level 9, Cyberport 1

100 Cyberport Road, Pok Fu Lam

HONG KONG



---

[11] 1913477.6M009

[15] 18-04-2019

[30] 11-01-2019 / CN / 201930016456.0

[51] Cl. 9-03

[54] 包裝盒

Packaging box

[73] 京都念慈菴總廠有限公司

NIN JIOM MEDICINE MANUFACTORY (HONG KONG) LIMITED

50 Wang Lee Street, Yuen Long Industrial Estate

Yuen Long, N.T.

HONG KONG

[74] MARKS & CLERK

Level 9, Cyberport 1

100 Cyberport Road, Pok Fu Lam

HONG KONG





香港特別行政區政府知識產權署外觀設計註冊處

The Government of the Hong Kong Special Administrative Region

Designs Registry, Intellectual Property Department

根據註冊外觀設計條例第28條，下列註冊外觀設計因未繳續期費而停止有效。各組記項按註冊外觀設計停止有效日期及註冊編號先後次序排列。

Registered designs ceased through non-payment of renewal fees under section 28 of the Registered Designs Ordinance. Entries are listed below under their expiry dates.

## 30-08-2019 - 04-09-2019

<b>30-08-2019</b>	1401633.9	9911165.0M008
0411918.4M002	1401634.1	9911165.0M009
0411921.0	1401635.4	9911165.0M010
0411922.2		9911165.0M011
0411923.4	<b>01-09-2019</b>	9911165.0M012
0411924.6	0411967.7M001	
0901405.9	0411971.5M001	<b>03-09-2019</b>
	0901420.0	0411984.2
<b>31-08-2019</b>	0901423.6	0411985.5
0411940.0	1401637.8	0901434.9M002
0411941.2	1401638.0M001	1401654.3
0411942.4	1401638.0M002	1401655.6
0411943.6	1401639.2	1401656.8
0411944.8		1401657.0
0411945.1	<b>02-09-2019</b>	1401658.2
0411946.3	0411978.0	1401659.4
0411947.5	0411979.2	
0901411.1M001	0411980.4	<b>04-09-2019</b>
0901411.1M002	0411981.6	1401663.2
0901411.1M004	0411982.8	1401666.9M002
0901412.3M001	0411983.0	1401666.9M003
0901412.3M002	1401643.0	1401670.7M001
0901413.5	1401644.2M001	1401670.7M002
0901414.7	1401644.2M002	1401670.7M003
0901415.0	1401644.2M003	1401670.7M004
0901416.2	1401644.2M005	1401670.7M005
0901417.4	9911164.7	
1401624.0	9911165.0M001	
1401627.7	9911165.0M002	
1401628.9	9911165.0M003	
1401629.1	9911165.0M004	
1401630.3	9911165.0M005	
1401631.5	9911165.0M006	
1401632.7	9911165.0M007	



香港特別行政區政府知識產權署外觀設計註冊處

The Government of the Hong Kong Special Administrative Region

Designs Registry, Intellectual Property Department

**根據註冊外觀設計規則第 31 條刪除的註冊外觀設計。各組記項按註冊外觀設計 刪除日期及註冊編號先後次序排列。**

**Registered designs removed under section 31 of the Registered Designs Rules. Entries are listed below under their removal dates.**

**09-09-2019 - 12-09-2019**

<b>09-09-2019</b>	1400369.7M001	1400391.3M012
0900325.8	1400369.7M002	1400391.3M013
0900328.4M001	1400369.7M003	1400391.3M014
0900328.4M002	1400370.9M001	1400391.3M015
0900332.2	1400370.9M002	1400391.3M016
9910257.4	1400370.9M003	1400391.3M017
	1400370.9M004	1400391.3M018
<b>10-09-2019</b>	1400370.9M005	1400391.3M019
0900335.9M001	1400370.9M008	1400391.3M020
0900335.9M002	1400370.9M010	1400391.3M021
0900335.9M003	1400370.9M011	1400391.3M022
0900336.1	1400374.7	1400391.3M023
0900338.5	1400377.4	1400391.3M024
0900339.7		1400393.7
0900346.2	<b>11-09-2019</b>	1400394.9
1400366.1	1400378.6M002	1400395.2
1400367.3M002	1400382.4	1400396.4
1400367.3M003	1400386.3	1400397.6
1400367.3M004		1400398.8
1400367.3M006	<b>12-09-2019</b>	1400399.0
1400367.3M007	0900351.2M001	
1400367.3M008	0900351.2M002	
1400368.5M001	1400390.1	
1400368.5M002	1400391.3M001	
1400368.5M003	1400391.3M002	
1400368.5M005	1400391.3M003	
1400368.5M006	1400391.3M004	
1400368.5M007	1400391.3M005	
1400368.5M008	1400391.3M006	
1400368.5M009	1400391.3M007	
1400368.5M010	1400391.3M008	
1400368.5M011	1400391.3M009	
1400368.5M012	1400391.3M010	
1400368.5M015	1400391.3M011	