

香港知識產權公報

Hong Kong Intellectual Property Journal

2019年12月27日

27 December 2019



目錄 Contents

根據註冊外觀設計條例第 25 條註冊的外觀設計

Designs Registered under section 25 of the Registered Designs Ordinance

按註冊編號排列

Arranged by Registration Number

根據註冊外觀設計條例(第 522 章)公布的其他公告

Other Notices Published under the Registered Designs Ordinance (Cap. 522)

根據註冊外觀設計條例第 28 條，註冊外觀設計因未繳續期費而停止有效

Registered designs ceased through non-payment of renewal fees under section 28 of the Registered Designs Ordinance

根據註冊外觀設計規則第 31 條刪除的註冊外觀設計

Registered designs removed under section 31 of the Registered Designs Rules

以下事項沒有記錄

No Records for the Following Matters

根據註冊外觀設計條例第 30 條放棄的外觀設計的註冊

Surrender of Registration of Design under section 30 of the Registered Designs Ordinance

根據註冊外觀設計規則第 37 條，向處長作出轉介

Reference to Registrar under section 37 of the Registered Designs Rules

根據註冊外觀設計條例第 45 條，撤銷註冊

Revocation of Registration under section 45 of the Registered Designs Ordinance

根據註冊外觀設計規則第 46 條，向法院作出轉介
Reference to Court under section 46 of the Registered Designs Rules

根據註冊外觀設計規則第 63 條對不符合規定之處作出糾正
Rectification of Irregularities under section 63 of the Registered Designs Rules

根據註冊外觀設計條例第 66 條，糾正註冊紀錄冊
Rectification of Register under section 66 of the Registered Designs Ordinance

根據註冊外觀設計條例第 67 條，更正註冊紀錄冊內的錯誤
Correction of Errors in Register under section 67 of the Registered Designs Ordinance

根據註冊外觀設計條例第 67 及 76 條，更正註冊紀錄冊內及已提交文件中的錯誤
Correction of Errors in Register and in Filed Documents under sections
67 and 76 of the Registered Designs Ordinance

根據註冊外觀設計條例第 76 條，更正已提交文件中的錯誤
Correction of Errors in Filed Documents under section 76 of the Registered Designs
Ordinance

勘誤
Corrigendum

註冊外觀設計公告註釋

Notes on advertisements of registration of designs

方括號表示下列資料：

Square brackets indicate the following data：

- [11] 註冊編號 Registration number / 聯合王國註冊編號 United Kingdom registration number
- [15] 註冊日期 Registration date / 當作註冊日期 Deemed registration date / 聯合王國註冊日期 United Kingdom registration date
- [17] 註冊有效期屆滿日期 Expiry date of the period of registration
- [22] 提交日期 Filing date / 當作提交日期 Deemed filing date / 聯合王國提交日期 United Kingdom filing date
- [30] 聲稱享有的優先權 (提交日期 / 巴黎公約國或世界貿易組織成員 / 申請編號) Priority claimed (filing date / Paris Convention country or WTO member / application number)
- [51] 國際外觀設計分類號 (洛迦諾分類號) International Classification of designs (Locarno Classification)
- [54] 物品 Article
- [55] 外觀設計的表述 Representation of the design
- [62] 分開前的申請編號及提交日期 Application number before division and filing date
- [66] 過往註冊的聯繫外觀設計註冊編號 / 日期 Registration No. / Date of Previous Registration for Association
- [72] 設計人 Designer

[73] 擁有人姓名和地址 Name and address of the owner

[74] 代理人 Agent /送達地址 Address for service



香港特別行政區政府知識產權署外觀設計註冊處

The Government of the Hong Kong Special Administrative Region

Designs Registry, Intellectual Property Department

根據註冊外觀設計條例第25條註冊的外觀設計

Designs registered under section 25 of the Registered Designs Ordinance

按註冊編號排列

Arranged by Registration Number

[11] 1802409.9

[15] 06-12-2018

[30] 12-06-2018 / EM, MC, MA, SG, CH, TN, UA, TR / DM/101 922

[51] Cl. 10-07

[54] 錶殼

Watch case

[73] CHAUMET INTERNATIONAL S.A.

12 PLACE VENDÔME,

75001 PARIS,

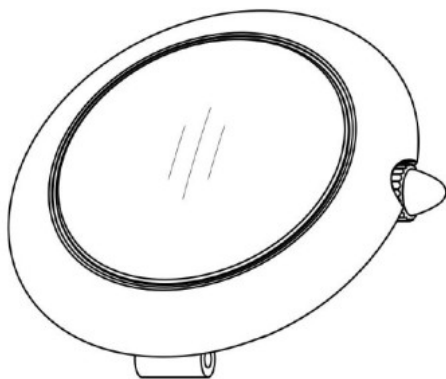
FRANCE

[74] WENPING & CO.

1701 Tung Wai Commercial Building,

111 Gloucester Road,

Hong Kong.



[11] 1802498.6

[15] 20-12-2018

[30] 20-06-2018 / FR / 2018-2984

[51] Cl. 16-06

[54] 眼鏡

Glasses

[73] LOUIS VUITTON MALLETIER

2, rue du Pont-Neuf 75001 Paris, FRANCE

[74] BAKER & MCKENZIE

14th Floor, One Taikoo Place

979 King's Road, Quarry Bay

HONG KONG



[11] 1802499.8

[15] 20-12-2018

[30] 20-06-2018 / FR / 2018-2984

[51] Cl. 16-06

[54] 眼鏡

Glasses

[73] LOUIS VUITTON MALLETIER

2, rue du Pont-Neuf 75001 Paris, FRANCE

[74] BAKER & MCKENZIE

14th Floor, One Taikoo Place

979 King's Road, Quarry Bay

HONG KONG



[11] 1802514.2

[15] 20-12-2018

[30] 20-06-2018 / FR / 2018-2980

[51] Cl. 3-01

[54] 袋

Bag

[73] LOUIS VUITTON MALLETIER
2, rue du Pont-Neuf 75001 Paris,
FRANCE

[74] BAKER & MCKENZIE
14th Floor, One Taikoo Place
979 King's Road, Quarry Bay
HONG KONG



[11] 1802515.5

[15] 20-12-2018

[30] 20-06-2018 / FR / 2018-2980

[51] Cl. 3-01

[54] 袋

Bag

[73] LOUIS VUITTON MALLETIER
2, rue du Pont-Neuf 75001 Paris,
FRANCE

[74] BAKER & MCKENZIE
14th Floor, One Taikoo Place
979 King's Road, Quarry Bay
HONG KONG



[11] 1913100.8M001

[15] 27-02-2019

[30] 30-08-2018 / CN / 201830486009.7

[51] Cl. 14-01

[54] 車載音訊播放機

Audio player for car

[73] SONY CORPORATION

1-7-1 KONAN, MINATO-KU,

TOKYO 108-0075, JAPAN

JAPAN

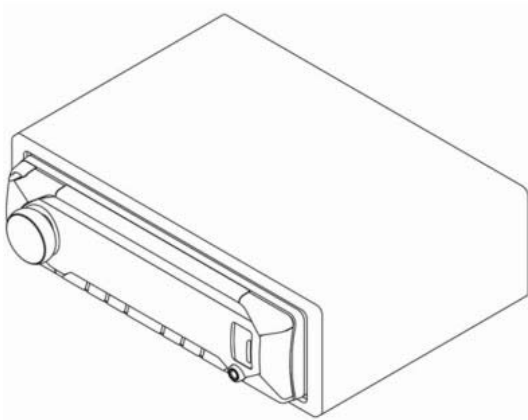
[74] UNITALEN ATTORNEYS AT LAW LIMITED

RM 1201, 12/F,

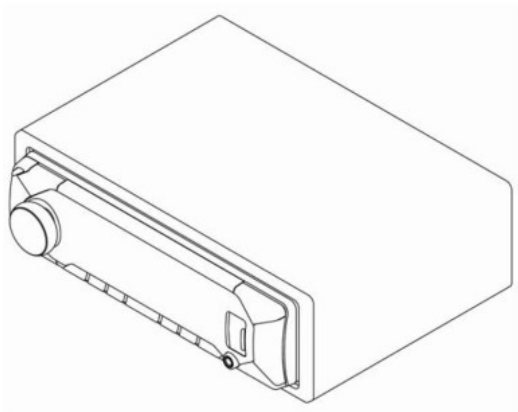
GOLDEN ERA PLAZA,

39-55 SAI YEE ST, MONGKOK KLN

HONG KONG



- [11] 1913100.8M002
[15] 27-02-2019
[51] Cl. 14-01
[54] 車載音訊播放機
Audio player for car
[73] SONY CORPORATION
1-7-1 KONAN, MINATO-KU,
TOKYO 108-0075, JAPAN
JAPAN
[74] UNITALEN ATTORNEYS AT LAW LIMITED
RM 1201, 12/F,
GOLDEN ERA PLAZA,
39-55 SAI YEE ST, MONGKOK KLN
HONG KONG



-
- [11] 1913201.2
[15] 15-03-2019
[30] 27-12-2018 / CN / 201830761108.1
[51] Cl. 14-01
[54] 音響系統
Audio system
[73] SONY CORPORATION
1-7-1 KONAN, MINATO-KU
TOKYO 108-0075, JAPAN
JAPAN
[74] UNITALEN ATTORNEYS AT LAW LIMITED
RM 1201, 12/F,
GOLDEN ERA PLAZA,
39-55 SAI YEE ST, MONGKOK KLN
HONG KONG



[11] 1913281.0M001

[15] 22-03-2019

[30] 25-09-2018 / EU / 005658267-0003

[51] Cl. 14-04

[54] 用於電子裝置的圖標

Icon for electronic device

[73] Philip Morris Products S.A.

Quai Jeanrenaud 3

2000 Neuchâtel

SWITZERLAND

[74] CLT PATENT & TRADEMARK (H.K.) LIMITED

Unit 09, 34/F., Office Tower, Convention Plaza

No. 1 Harbour Road, Wanchai Hong Kong

HONG KONG



[11] 1913281.0M002

[15] 22-03-2019

[30] 25-09-2018 / EU / 005658267-0004

[51] Cl. 14-04

[54] 用於電子裝置的圖標

Icon for electronic device

[73] Philip Morris Products S.A.

Quai Jeanrenaud 3

2000 Neuchâtel

SWITZERLAND

[74] CLT PATENT & TRADEMARK (H.K.) LIMITED

Unit 09, 34/F., Office Tower, Convention Plaza

No. 1 Harbour Road, Wanchai Hong Kong

HONG KONG



[11] 1913281.0M003

[15] 22-03-2019

[30] 25-09-2018 / EU / 005658267-0008

[51] Cl. 14-04

[54] 用於電子裝置的圖標

Icon for electronic device

[73] Philip Morris Products S.A.

Quai Jeanrenaud 3

2000 Neuchâtel

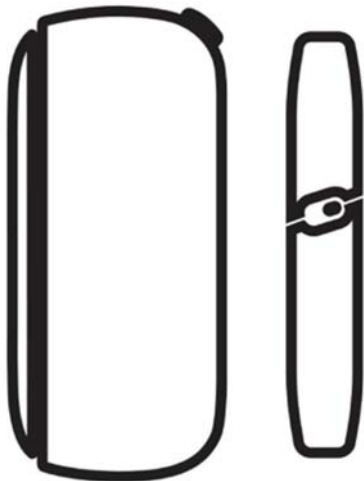
SWITZERLAND

[74] CLT PATENT & TRADEMARK (H.K.) LIMITED

Unit 09, 34/F., Office Tower, Convention Plaza

No. 1 Harbour Road, Wanchai Hong Kong

HONG KONG



[11] 1913281.0M004

[15] 22-03-2019

[30] 25-09-2018 / EU / 005658267-0009

[51] Cl. 14-04

[54] 用於電子裝置的圖標

Icon for electronic device

[73] Philip Morris Products S.A.

Quai Jeanrenaud 3

2000 Neuchâtel

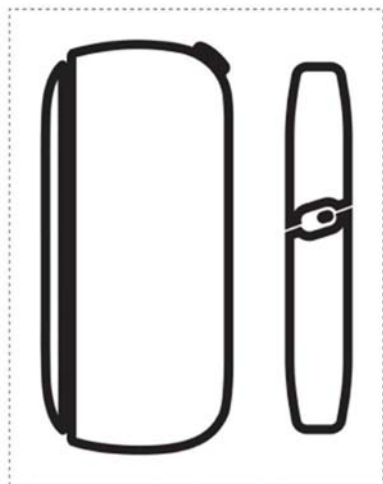
SWITZERLAND

[74] CLT PATENT & TRADEMARK (H.K.) LIMITED

Unit 09, 34/F., Office Tower, Convention Plaza

No. 1 Harbour Road, Wanchai Hong Kong

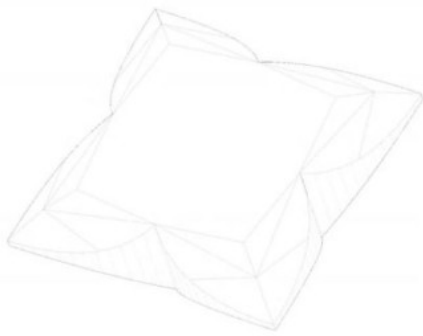
HONG KONG



- [11] 1913351.9
[15] 02-04-2019
[30] 02-10-2018 / FR / 2018-4412
[51] Cl. 2-04
[54] 鞋跟
Heel
[73] LOUIS VUITTON MALLETIER
2 rue du Pont-Neuf
75001 Paris
FRANCE
[74] BAKER & MCKENZIE
14th Floor, One Taikoo Place
979 King's Road, Quarry Bay
HONG KONG



-
- [11] 1913412.9M001
[15] 09-04-2019
[30] 12-10-2018 / FR / 2018-4627
[51] Cl. 11-01
[54] 寶石
Precious Stone
[73] LOUIS VUITTON MALLETIER
2 rue du Pont-Neuf
75001 Paris
FRANCE
[74] BAKER & MCKENZIE
14th Floor, One Taikoo Place
979 King's Road, Quarry Bay
HONG KONG



[11] 1913412.9M002

[15] 09-04-2019

[30] 12-10-2018 / FR / 2018-4629

[51] Cl. 11-01

[54] 寶石

Precious Stone

[73] LOUIS VUITTON MALLETIER

2 rue du Pont-Neuf

75001 Paris

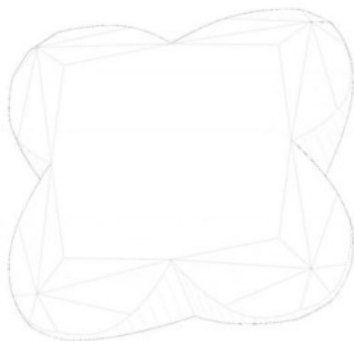
FRANCE

[74] BAKER & MCKENZIE

14th Floor, One Taikoo Place

979 King's Road, Quarry Bay

HONG KONG



[11] 1913432.1

[15] 11-04-2019

[30] 15-10-2018 / US / 29/666,662

[51] Cl. 3-01

[54] 背包

Backpack

[73] Helen of Troy Limited

The Phoenix Centre

George Street, Belleville, St. Michael

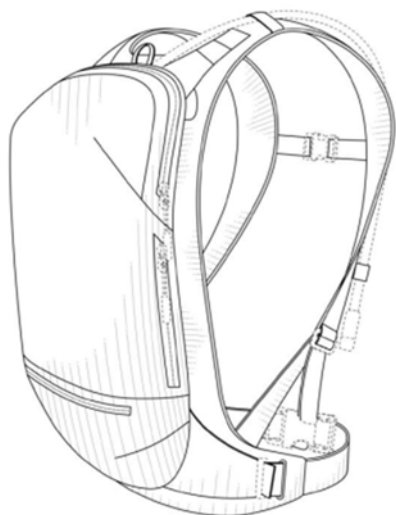
BARBADOS

[74] BIRD & BIRD

4/F Three Pacific Place

1 Queen's Road East

HONG KONG



[11] 1913463.6

[15] 16-04-2019

[30] 27-11-2018 / CN / 201830677162.8

[51] Cl. 10-04

[54] 智能結算台

Intelligent checkout counter

[73] 北京京東尚科信息技術有限公司

BEIJING JINGDONG SHANGKE INFORMATION

TECHNOLOGY CO., LTD.

中國內地 北京市海澱區知春

路 76 號

8 層

北京京東世紀貿易有限公司

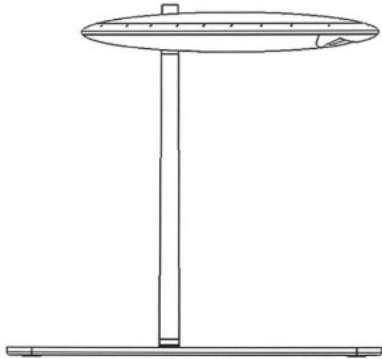
BEIJING JINGDONG CENTURY TRADING CO., LTD.

中國內地北京市大興區 北京經濟技術開

發區

科創十一街 18 號 C 座 2 層 201 室

- [74] 隆天專利商標代理有限公司
香港
九龍青山道 485 號
九龍廣場 10 樓 11 室



-
- [11] 1913489.1
[15] 22-04-2019
[30] 22-10-2018 / FR / 2018-4759
[51] Cl. 3-01
[54] 袋
Bag
[73] LOUIS VUITTON MALLETIER
2 rue du Pont-Neuf
75001 Paris
FRANCE
[74] BAKER & MCKENZIE
14TH FLOOR, ONE TAIKOO PLACE,
979 KING'S ROAD, QUARRY BAY,
HONG KONG



[11] 1913490.3

[15] 22-04-2019

[30] 22-10-2018 / FR / 2018-4759

[51] Cl. 3-01

[54] 袋

Bag

[73] LOUIS VUITTON MALLETIER

2 rue du Pont-Neuf

75001 Paris

FRANCE

[74] BAKER & MCKENZIE

14TH FLOOR, ONE TAIKOO PLACE,

979 KING'S ROAD, QUARRY BAY,

HONG KONG



[11] 1913491.5

[15] 22-04-2019

[30] 22-10-2018 / FR / 2018-4759

[51] Cl. 3-01

[54] 袋

Bag

[73] LOUIS VUITTON MALLETIER

2 rue du Pont-Neuf

75001 Paris

FRANCE

[74] BAKER & MCKENZIE

14TH FLOOR, ONE TAIKOO PLACE,

979 KING'S ROAD, QUARRY BAY,

HONG KONG



[11] 1913493.9

[15] 22-04-2019

[30] 22-10-2018 / FR / 2018-4759

[51] Cl. 3-01

[54] 袋

Bag

[73] LOUIS VUITTON MALLETIER

2 rue du Pont-Neuf

75001 Paris

FRANCE

[74] BAKER & MCKENZIE

14TH FLOOR, ONE TAIKOO PLACE,

979 KING'S ROAD, QUARRY BAY,

HONG KONG



[11] 1913494.1M001

[15] 23-04-2019

[30] 15-02-2019 / DE / 40 2019 100 194.8

[51] Cl. 12-08

[54] 汽車

Motor vehicle

[73] VOLKSWAGEN AKTIENGESELLSCHAFT

38436 WOLFSBURG

GERMANY

[74] CHINA PATENT AGENT (HONG KONG) LIMITED

22/F, Great Eagle Centre, 23 Harbour Road, Wanchai

HONG KONG



[11] 1913494.1M002

[15] 23-04-2019

[30] 15-02-2019 / DE / 402019100194.8

[51] Cl. 12-08

[54] 汽車

Motor vehicle

[73] VOLKSWAGEN AKTIENGESELLSCHAFT

38436 WOLFSBURG

GERMANY

[74] CHINA PATENT AGENT (HONG KONG) LIMITED

22/F, Great Eagle Centre, 23 Harbour Road, Wanchai

HONG KONG



[11] 1913494.1M003

[15] 23-04-2019

[30] 15-02-2019 / DE / 402019100194.8

[51] Cl. 12-08

[54] 汽車

Motor vehicle

[73] VOLKSWAGEN AKTIENGESELLSCHAFT

38436 WOLFSBURG

GERMANY

[74] CHINA PATENT AGENT (HONG KONG) LIMITED

22/F, Great Eagle Centre, 23 Harbour Road, Wanchai

HONG KONG



[11] 1913495.4

[15] 23-04-2019

[30] 15-02-2019 / DE / 40 2019 100 194.8

[51] Cl. 21-01

[54] 玩具汽車

Toy vehicle

[73] VOLKSWAGEN AKTIENGESELLSCHAFT

38436 WOLFSBURG

GERMANY

[74] CHINA PATENT AGENT (HONG KONG) LIMITED

22/F, Great Eagle Centre, 23 Harbour Road, Wanchai

HONG KONG

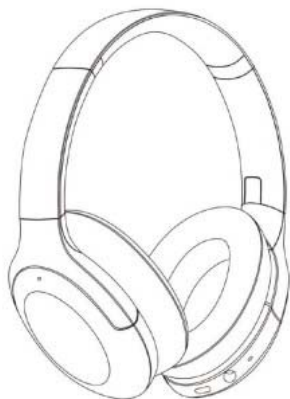


[11] 1913537.5

- [15] 26-04-2019
[30] 19-03-2019 / KR / 30-2019-0012338
[51] Cl. 27-07
[54] 電子煙
Electronic cigarette
[73] KT&G Corporation
71, Beotkkot-gil,
Daedeok-gu, Daejeon
KOREA, REPUBLIC OF
[74] Luo & Jia Intellectual Property Limited
9B, Cheong Tai Commercial Building,
66 Wing Lok Street, Sheung Wan,
HONG KONG



-
- [11] 1913544.9M001
[15] 29-04-2019
[30] 17-12-2018 / JP / 2018 of 027443
[51] Cl. 14-01
[54] 頭戴式耳機
Headphone
[73] SONY CORPORATION
1-7-1 KONAN, MINATO-KU
TOKYO 108-0075, JAPAN
[74] UNITALEN ATTORNEYS AT LAW LIMITED
RM 1201, 12/F,
GOLDEN ERA PLAZA,
39-55 SAI YEE ST, MONGKOK KLN
HONG KONG



[11] 1913544.9M002

[15] 29-04-2019

[30] 17-12-2018 / JP / 2018 of 027444

[51] Cl. 14-01

[54] 頭戴式耳機

Headphone

[73] SONY CORPORATION

1-7-1 KONAN, MINATO-KU

TOKYO 108-0075, JAPAN

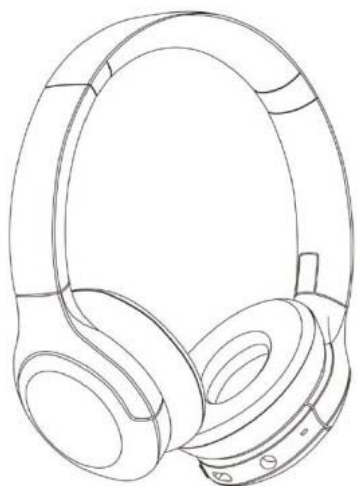
[74] UNITALEN ATTORNEYS AT LAW LIMITED

RM 1201, 12/F,

GOLDEN ERA PLAZA,

39-55 SAI YEE ST, MONGKOK KLN

HONG KONG



[11] 1913600.9

[15] 08-05-2019

[51] Cl. 9-09

[54] 太陽能垃圾壓縮箱

Refuse compactor with solar energy pack

[73] 中太有限公司

CHINA TYPE LIMITED

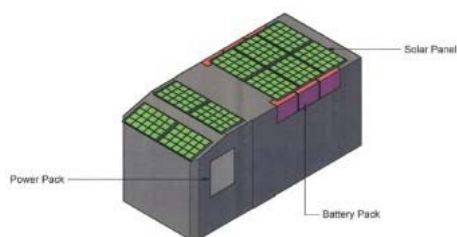
香港

元朗屏廈路 299 號

[74] 梁穎行

香港

元朗屏廈路 299 號



[11] 1913606.2M001

[15] 09-05-2019

[30] 29-03-2019 / CN / 201930138073.0

[51] Cl. 9-03

[54] 包裝盒

Packing box

[73] 東莞唯蘭頌電子商務有限公司 中國內地

廣東省東莞市東城街道東莞大道

11 號

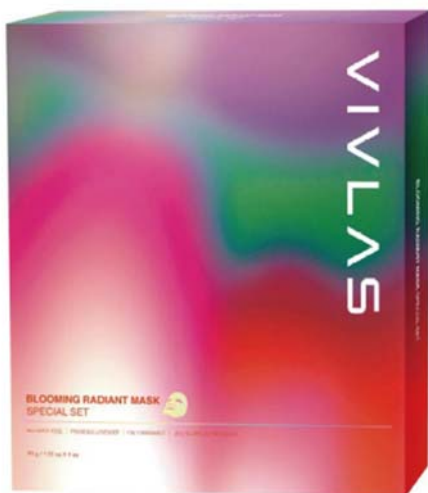
台商大廈 1 單元 3905 室

[74] CHINA PATENT AGENT (HONG KONG) LIMITED

香港

灣仔港灣道 23 號

鷹君中心 22 樓



[11] 1913606.2M002

[15] 09-05-2019

[30] 29-03-2019 / CN / 201930138401.7

[51] Cl. 9-05

[54] 包裝袋

Packing bag

[73] 東莞唯蘭頌電子商務有限公司 中國內地
廣東省東莞市東城街道東莞大道
11 號

台商大廈 1 單元 3905 室

[74] CHINA PATENT AGENT (HONG KONG) LIMITED
香港

灣仔港灣道 23 號

鷹君中心 22 樓



- [11] 1913606.2M003
[15] 09-05-2019
[30] 29-03-2019 / CN / 201930138401.7
[51] Cl. 9-05
[54] 包裝袋
Packing bag
[73] 東莞唯蘭頌電子商務有限公司 中國內地
廣東省東莞市東城街道東莞大道
11 號
台商大廈 1 單元 3905 室
[74] CHINA PATENT AGENT (HONG KONG) LIMITED
香港
灣仔港灣道 23 號
鷹君中心 22 樓



-
- [11] 1913606.2M004
[15] 09-05-2019
[30] 29-03-2019 / CN / 201930138401.7
[51] Cl. 9-05
[54] 包裝袋
Packing bag
[73] 東莞唯蘭頌電子商務有限公司 中國內地
廣東省東莞市東城街道東莞大道
11 號
台商大廈 1 單元 3905 室
[74] CHINA PATENT AGENT (HONG KONG) LIMITED
香港

灣仔港灣道 23 號
鷹君中心 22 樓



[11] 1913606.2M005

[15] 09-05-2019

[30] 29-03-2019 / CN / 201930138401.7

[51] C1. 9-05

[54] 包裝袋

Packing bag

[73] 東莞唯蘭頌電子商務有限公司 中國內

地 廣東省東莞市東城街道東莞大道

11 號

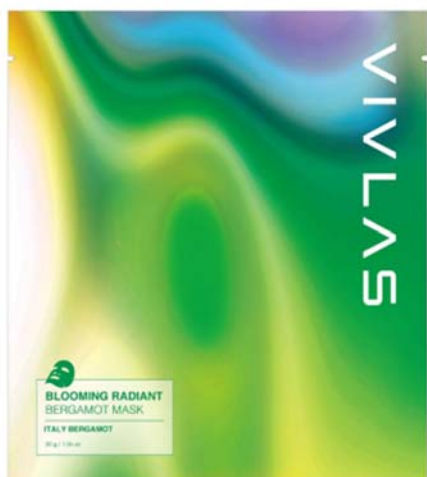
台商大廈 1 單元 3905 室

[74] CHINA PATENT AGENT (HONG KONG) LIMITED

香港

灣仔港灣道 23 號

鷹君中心 22 樓



[11] 1913607.4

[15] 09-05-2019

[51] Cl. 6-04

[54] 雙頭雨傘除水器連盛水盆

Double channel umbrella dryer with water basin

[73] 林曉文以三協貿易公司之名營業

Lam Hui Man, Simon trading as TRINITY TRADING COMPANY

香港

新蒲崗雙喜街 19 號 雙喜工

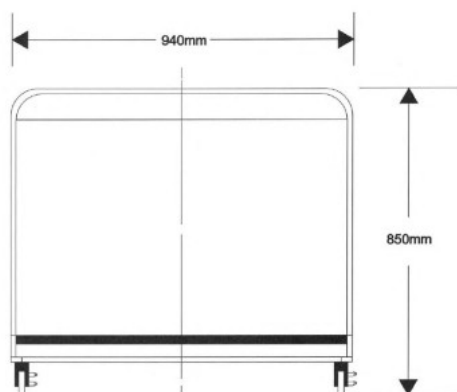
業大廈 2 樓 A 室

[74] 三協貿易公司

香港

新蒲崗雙喜街 19 號 雙喜工

業大廈 2 樓 A 室



[11] 1913616.3M001

[15] 10-05-2019

[30] 15-11-2018 / EU, AL, MA, NO, OM, SG, CH, TN, UA, TR / 9670301

[51] Cl. 10-02

[54] 手錶

Wristwatch

[73] SWATCH AG (SWATCH SA) (SWATCH LTD.)

Nicolas G. Hayek Strasse 1, 2502 Biel/Bienne,
SWITZERLAND

[74] SPRUSON & FERGUSON (HONG KONG) LIMITED

5001 Hopewell Centre
183 Queen's Road East, Wan Chai
HONG KONG



[11] 1913616.3M002

[15] 10-05-2019

[30] 15-11-2018 / EU, AL, MA, NO, OM, SG, CH, TN, UA, TR / 9670301

[51] Cl. 10-02

[54] 手錶

Wristwatch

[73] SWATCH AG (SWATCH SA) (SWATCH LTD.)

Nicolas G. Hayek Strasse 1, 2502 Biel/Bienne,
SWITZERLAND

[74] SPRUSON & FERGUSON (HONG KONG) LIMITED

5001 Hopewell Centre
183 Queen's Road East, Wan Chai
HONG KONG



[11] 1913616.3M003

[15] 10-05-2019

[30] 15-11-2018 / EU, AL, MA, NO, OM, SG, CH, TN, UA, TR / 9670301

[51] Cl. 10-02

[54] 手錶

Wristwatch

[73] SWATCH AG (SWATCH SA) (SWATCH LTD.)

Nicolas G. Hayek Strasse 1, 2502 Biel/Bienne,
SWITZERLAND

[74] SPRUSON & FERGUSON (HONG KONG) LIMITED

5001 Hopewell Centre
183 Queen's Road East, Wan Chai
HONG KONG



[11] 1913616.3M004

[15] 10-05-2019

[30] 15-11-2018 / EU, AL, MA, NO, OM, SG, CH, TN, UA, TR / 9670301

[51] Cl. 10-02

[54] 手錶

Wristwatch

[73] SWATCH AG (SWATCH SA) (SWATCH LTD.)

Nicolas G. Hayek Strasse 1, 2502 Biel/Bienne,
SWITZERLAND

[74] SPRUSON & FERGUSON (HONG KONG) LIMITED

5001 Hopewell Centre
183 Queen's Road East, Wan Chai
HONG KONG



[11] 1913616.3M005

[15] 10-05-2019

[30] 15-11-2018 / EU, AL, MA, NO, OM, SG, CH, TN, UA, TR / 9670301

[51] Cl. 10-02

[54] 手錶

Wristwatch

[73] SWATCH AG (SWATCH SA) (SWATCH LTD.)

Nicolas G. Hayek Strasse 1, 2502 Biel/Bienne,
SWITZERLAND

[74] SPRUSON & FERGUSON (HONG KONG) LIMITED

5001 Hopewell Centre
183 Queen's Road East, Wan Chai
HONG KONG



[11] 1913616.3M006

[15] 10-05-2019

[30] 15-11-2018 / EU, AL, MA, NO, OM, SG, CH, TN, UA, TR / 9670301

[51] Cl. 10-02

[54] 手錶

Wristwatch

[73] SWATCH AG (SWATCH SA) (SWATCH LTD.)

Nicolas G. Hayek Strasse 1, 2502 Biel/Bienne,
SWITZERLAND

[74] SPRUSON & FERGUSON (HONG KONG) LIMITED

5001 Hopewell Centre
183 Queen's Road East, Wan Chai
HONG KONG



[11] 1913624.9M001

[15] 13-05-2019

[30] 12-11-2018 / JP / 2018 of 024703

[51] Cl. 10-04

[54] 排尿時機預測裝置

Urination timing prediction device

[73] 利利安大塚股份有限公司

LILIUM OTSUKA CO., LTD. (KABUSHIKI KAISHA LILIUM OTSUKA)

4-12-6, CHIYODA, CHUO-KU, SAGAMIHARA CITY

KANAGAWA, 2520237

JAPAN

[74] CLT PATENT & TRADEMARK (H.K.) LIMITED

Unit 09, 34/F., Office Tower, Convention Plaza

No. 1 Harbour Road, Wanchai

HONG KONG



[11] 1913624.9M002

[15] 13-05-2019

[30] 12-11-2018 / JP / 2018 of 024704

[51] Cl. 10-04

[54] 排尿時機預測裝置

Urination timing prediction device

[73] 利利安大塚股份有限公司

LILIUM OTSUKA CO., LTD. (KABUSHIKI KAISHA LILIUM OTSUKA)

4-12-6, CHIYODA, CHUO-KU, SAGAMIHARA CITY

KANAGAWA, 2520237

JAPAN

[74] CLT PATENT & TRADEMARK (H.K.) LIMITED

Unit 09, 34/F., Office Tower, Convention Plaza

No. 1 Harbour Road, Wanchai
HONG KONG



[11] 1913625.2

[15] 13-05-2019

[30] 18-01-2019 / CN / 201930028632.2

[51] Cl. 15-05

[54] 運輸機器人

Transportation robots

[73] 深圳怡豐機器人科技有限公司

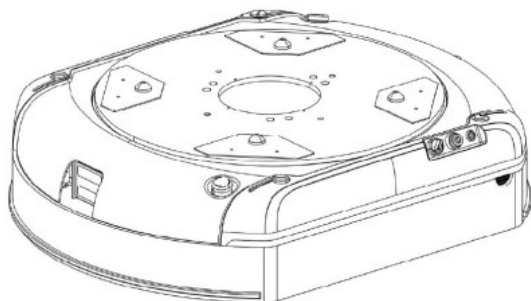
SHENZHEN YEEFUNG ROBOTICS CO., LTD.

中國內地 深圳市龍崗區龍崗街道五聯一
路 9 號 高新技術產業園怡豐工業區 D 區

[74] 旻貝國際知識產權代理有限公司

香港

新界白石角香港科學園 第三期科技大道
西 12 號 2 樓 230 室



[11] 1913634.0

[15] 15-05-2019

[51] Cl. 9-03

[54] 包裝盒

Packaging box

[73] 鴻運貿易(國際)有限公司

HUNG WIN TRADING COMPANY LIMITED

香港

葵涌打磚坪街 44-52 號

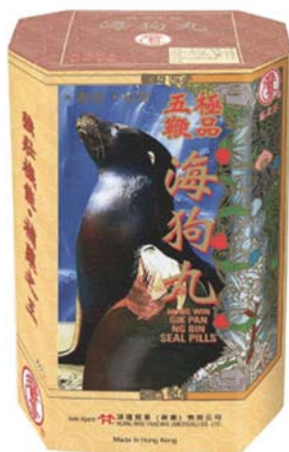
達明工業大廈 5 樓, A, A2, A3, A4, A5 室

[74] 鴻運貿易(國際)有限公司

香港葵涌

打磚坪街 44-52 號

達明工業大廈 5 字樓 A 室 A2-A5 室



[11] 1913635.3

[15] 15-05-2019

[51] Cl. 9-03

[54] 包裝盒

Packaging Box

[73] 鴻運貿易(國際)有限公司

HUNG WIN TRADING COMPANY LIMITED

香港

葵涌打磚坪街 44-52 號

達明工業大廈 5 樓, A, A2, A3, A4, A5 室

[74] 鴻運貿易(國際)有限公司

香港

葵涌打磚坪街 44-52 號 達
明工業大廈 A, A2-A5 室



[11] 1913636.5

[15] 15-05-2019

[51] Cl. 9-03

[54] 包裝盒

Packaging Box

[73] 鴻運貿易(國際)有限公司

HUNG WIN TRADING COMPANY LIMITED

香港

葵涌打磚坪街 44-52 號

達明工業大廈 5 樓, A, A2, A3, A4, A5 室

[74] 鴻運貿易(國際)有限公司

香港葵涌

打磚坪街 44-52 號,

達明工業大廈 5 字樓 A 室, A2-A5 室



[11] 1913640.3

[15] 16-05-2019

[30] 10-01-2019 / JP / 2019 of 000302

[51] Cl. 23-04

[54] 電風扇

Electric fan

[73] 利士文時計工業株式會社

RHYTHM WATCH CO., LTD.

日本 埼玉縣埼玉市大宮

區

北袋町 1 丁目 299 番地 12

[74] 李永康

香港

中環皇后大道中 28 號

中匯大廈 20 字樓



[11] 1913646.6M001

[15] 16-05-2019

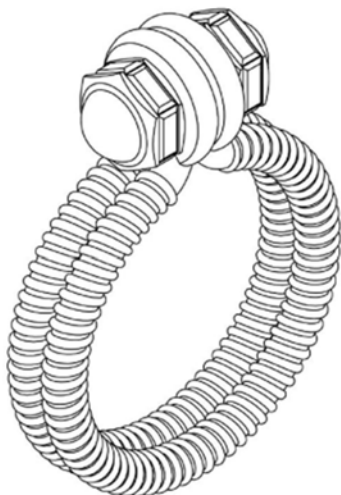
[30] 29-11-2018 / EU, JP, KR, CH, GB / WIPO77635

[51] Cl. 11-01

[54] 戒指
Ring

[73] Cartier International AG
Hinterbergstrasse 22
6312 STEINHAUSEN
SWITZERLAND

[74] DEACONS
5th Floor, Alexandra House
Central
HONG KONG



[11] 1913646.6M002

[15] 16-05-2019

[30] 29-11-2018 / EU, JP, KR, CH, GB / WIPO77635

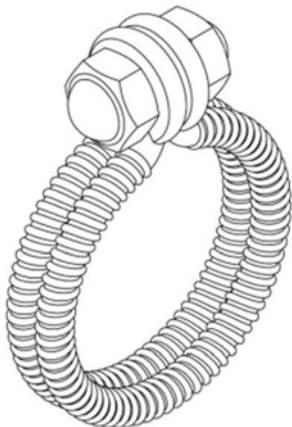
[51] Cl. 11-01

[54] 戒指
Ring

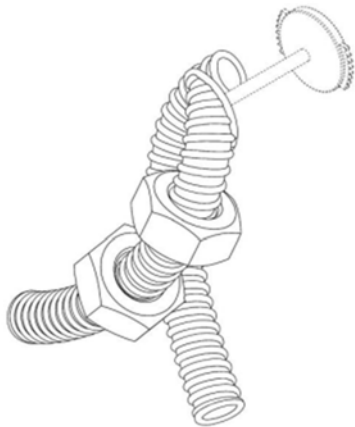
[73] Cartier International AG
Hinterbergstrasse 22
6312 STEINHAUSEN
SWITZERLAND

[74] DEACONS
5th Floor, Alexandra House

Central
HONG KONG



-
- [11] 1913646.6M003
[15] 16-05-2019
[30] 29-11-2018 / EU, JP, KR, CH, GB / WIPO77635
[51] Cl. 11-01
[54] 耳環
Earrings
[73] Cartier International AG
Hinterbergstrasse 22
6312 STEINHAUSEN
SWITZERLAND
[74] DEACONS
5th Floor, Alexandra House
Central
HONG KONG



[11] 1913646.6M004

[15] 16-05-2019

[30] 29-11-2018 / EU, JP, KR, CH, GB / WIPO77635

[51] Cl. 11-01

[54] 耳環

Earrings

[73] Cartier International AG

Hinterbergstrasse 22

6312 STEINHAUSEN

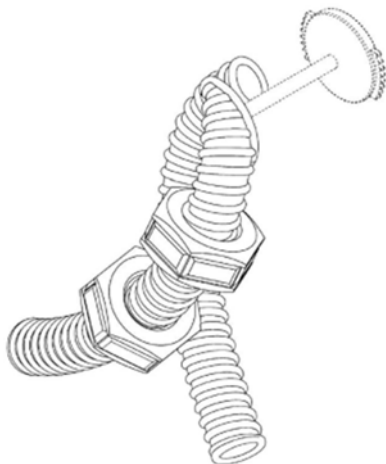
SWITZERLAND

[74] DEACONS

5th Floor, Alexandra House

Central

HONG KONG



[11] 1913660.5M001

[15] 17-05-2019

[51] Cl. 11-01

[54] 飾物設計

Ornament Design

[73] 飾采有限公司

Y Factor Limited

Flat/ Rm 1005D, 10/F, Blk D, East Sun Industrial Centre

No. 16 Shing Yip Street, Kwun Tong

HONG KONG

[74] BENNY KONG & TSAI

Unit 19B, Overseas Trust Bank Building

No. 160 Gloucester Road, Wanchai

HONG KONG



[11] 1913660.5M002

[15] 17-05-2019

[51] Cl. 11-01

[54] 飾物設計

Ornament Design

[73] 飾采有限公司

Y Factor Limited

Flat/ Rm 1005D, 10/F, Blk D, East Sun Industrial Centre

No. 16 Shing Yip Street, Kwun Tong

HONG KONG

[74] BENNY KONG & TSAI

Unit 19B, Overseas Trust Bank Building

No. 160 Gloucester Road, Wanchai

HONG KONG



[11] 1913660.5M003

[15] 17-05-2019

[51] Cl. 11-01

[54] 飾物設計

Ornament Design

[73] 飾采有限公司

Y Factor Limited

Flat/ Rm 1005D, 10/F, Blk D, East Sun Industrial Centre

No. 16 Shing Yip Street, Kwun Tong

HONG KONG

[74] BENNY KONG & TSAI

Unit 19B, Overseas Trust Bank Building

No. 160 Gloucester Road, Wanchai

HONG KONG



[11] 1913660.5M004

[15] 17-05-2019

[51] Cl. 11-01

[54] 飾物設計

Ornament Design

[73] 飾采有限公司

Y Factor Limited

Flat/ Rm 1005D, 10/F, Blk D, East Sun Industrial Centre

No. 16 Shing Yip Street, Kwun Tong

HONG KONG

[74] BENNY KONG & TSAI

Unit 19B, Overseas Trust Bank Building

No. 160 Gloucester Road, Wanchai

HONG KONG



[11] 1913660.5M005

[15] 17-05-2019

[51] Cl. 11-01

[54] 飾物設計

Ornament Design

[73] 飾采有限公司

Y Factor Limited

Flat/ Rm 1005D, 10/F, Blk D, East Sun Industrial Centre

No. 16 Shing Yip Street, Kwun Tong

HONG KONG

[74] BENNY KONG & TSAI

Unit 19B, Overseas Trust Bank Building

No. 160 Gloucester Road, Wanchai

HONG KONG



[11] 1913660.5M006

[15] 17-05-2019

[51] Cl. 11-01

[54] 飾物設計

Ornament Design

[73] 飾采有限公司

Y Factor Limited

Flat/ Rm 1005D, 10/F, Blk D, East Sun Industrial Centre

No. 16 Shing Yip Street, Kwun Tong

HONG KONG

[74] BENNY KONG & TSAI

Unit 19B, Overseas Trust Bank Building

No. 160 Gloucester Road, Wanchai

HONG KONG



[11] 1913660.5M007

[15] 17-05-2019

[51] Cl. 11-01

[54] 飾物設計

Ornament Design

[73] 飾采有限公司

Y Factor Limited

Flat/ Rm 1005D, 10/F, Blk D, East Sun Industrial Centre

No. 16 Shing Yip Street, Kwun Tong

HONG KONG

[74] BENNY KONG & TSAI

Unit 19B, Overseas Trust Bank Building

No. 160 Gloucester Road, Wanchai

HONG KONG



[11] 1913660.5M008

[15] 17-05-2019

[51] Cl. 11-01

[54] 飾物設計

Ornament Design

[73] 飾采有限公司

Y Factor Limited

Flat/ Rm 1005D, 10/F, Blk D, East Sun Industrial Centre

No. 16 Shing Yip Street, Kwun Tong

HONG KONG

[74] BENNY KONG & TSAI

Unit 19B, Overseas Trust Bank Building

No. 160 Gloucester Road, Wanchai

HONG KONG



[11] 1913660.5M009

[15] 17-05-2019

[51] Cl. 11-01

[54] 飾物設計

Ornament Design

[73] 飾采有限公司

Y Factor Limited

Flat/ Rm 1005D, 10/F, Blk D, East Sun Industrial Centre

No. 16 Shing Yip Street, Kwun Tong

HONG KONG

[74] BENNY KONG & TSAI

Unit 19B, Overseas Trust Bank Building

No. 160 Gloucester Road, Wanchai

HONG KONG



[11] 1913660.5M010

[15] 17-05-2019

[51] Cl. 11-01

[54] 飾物設計

Ornament Design

[73] 飾采有限公司

Y Factor Limited

Flat/ Rm 1005D, 10/F, Blk D, East Sun Industrial Centre
No. 16 Shing Yip Street, Kwun Tong
HONG KONG

- [74] BENNY KONG & TSAI
Unit 19B, Overseas Trust Bank Building
No. 160 Gloucester Road, Wanchai
HONG KONG



[11] 1913660.5M011

[15] 17-05-2019

[51] Cl. 11-01

[54] 飾物設計

Ornament Design

[73] 飾采有限公司

Y Factor Limited

Flat/ Rm 1005D, 10/F, Blk D, East Sun Industrial Centre

No. 16 Shing Yip Street, Kwun Tong

HONG KONG

[74] BENNY KONG & TSAI

Unit 19B, Overseas Trust Bank Building

No. 160 Gloucester Road, Wanchai

HONG KONG



[11] 1913660.5M012

[15] 17-05-2019

[51] Cl. 11-01

[54] 飾物設計

Ornament Design

[73] 飾采有限公司

Y Factor Limited

Flat/ Rm 1005D, 10/F, Blk D, East Sun Industrial Centre

No. 16 Shing Yip Street, Kwun Tong

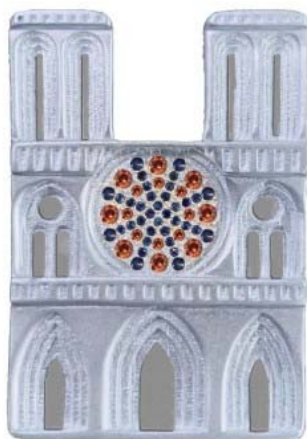
HONG KONG

[74] BENNY KONG & TSAI

Unit 19B, Overseas Trust Bank Building

No. 160 Gloucester Road, Wanchai

HONG KONG



[11] 1913660.5M013

[15] 17-05-2019

[51] Cl. 11-01

[54] 飾物設計

Ornament Design

[73] 飾采有限公司

Y Factor Limited

Flat/ Rm 1005D, 10/F, Blk D, East Sun Industrial Centre

No. 16 Shing Yip Street, Kwun Tong

HONG KONG

[74] BENNY KONG & TSAI

Unit 19B, Overseas Trust Bank Building

No. 160 Gloucester Road, Wanchai

HONG KONG



[11] 1913674.4

[15] 20-05-2019

[51] Cl. 3-01

[54] 錢包、卡片套、零錢包、鑰匙包

Wallet, card holder, coins bag, key bag

[73] 華緻貿易有限公司

Motto Carpe Diem Limited

香港

香港新蒲崗五芳街 19-21 號 嘉榮工廠

大廈 1 樓 C 室

[74] Motto Carpe Diem Limited

香港

新蒲崗五芳街 19-21 號 嘉

榮工廠大廈 1 樓 C 室



[11] 1913691.0

[15] 21-05-2019

[51] Cl. 7-02

[54] 便攜式嬰兒食物加熱器

Portable baby food warmer

[73] Digital Heat Technology Ltd.

Flat K, 8/F, Wang Kwong Ind Bldg.

45 Hung To Road, Kwun Tong, Kowloon

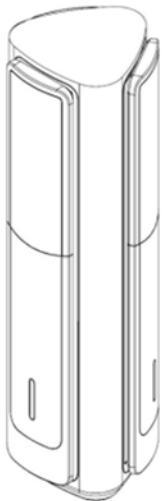
HONG KONG

[74] SPRUSON & FERGUSON (HONG KONG) LIMITED

5001 Hopewell Centre

183 Queen's Road East, Wan Chai

HONG KONG

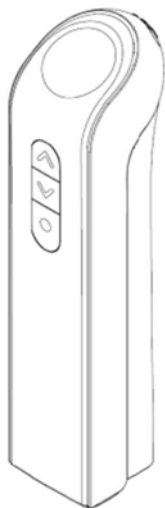


[11] 1913692.2

[15] 21-05-2019

[51] Cl. 7-02

- [54] 便攜式嬰兒食物加熱器
Portable baby food warmer
- [73] Digital Heat Technology Ltd.
Flat K, 8/F, Wang Kwong Ind Bldg.
45 Hung To Road, Kwun Tong, Kowloon
HONG KONG
- [74] SPRUSON & FERGUSON (HONG KONG) LIMITED
5001 Hopewell Centre
183 Queen's Road East, Wan Chai
HONG KONG



-
- [11] 1913694.6
- [15] 21-05-2019
- [51] Cl. 7-02
- [54] 便攜式嬰兒食物加熱器
Portable baby food warmer
- [73] Digital Heat Technology Ltd.
Flat K, 8/F, Wang Kwong Ind Bldg.
45 Hung To Road, Kwun Tong, Kowloon
HONG KONG
- [74] SPRUSON & FERGUSON (HONG KONG) LIMITED
5001 Hopewell Centre
183 Queen's Road East, Wan Chai
HONG KONG



[11] 1913698.5

[15] 22-05-2019

[30] 22-11-2018 / GB / 6048739

[51] Cl. 6-01

[54] 椅子

A chair

[73] Luke Hughes & Company Limited

7 Savoy Court

The Strand, London WC2R 0EX

UNITED KINGDOM

[74] HALDANES

7/F, Ruttonjee House

11 Duddell Street, Central

HONG KONG



[11] 1913699.7

[15] 22-05-2019

[30] 27-02-2019 / KR / 30-2019-0009019

[51] Cl. 9-03

[54] 美容套裝用盒

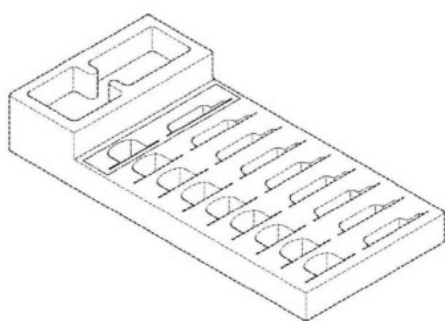
Case for cosmetic kit

[73] HUGEL INC.

61-20, Sinbuk-ro, Sinbuk-eup, Chuncheon-si, Gangwon-do,
KOREA, REPUBLIC OF

[74] NTD PATENT & TRADE MARK AGENCY LIMITED

Units 1805-6, 18/F., Greenfield Tower, Concordia Plaza,
No. 1 Science Museum Road, Tsimshatsui East, Kowloon,
HONG KONG



[11] 1913703.7

[15] 22-05-2019

[30] 30-11-2018 / EM / 005840543-0001

[51] Cl. 16-06

[54] 眼鏡框架的臂

Arm of spectacle frame

[73] FRED PARIS

131 avenue Charles de Gaulle
92200 NEUILLY SUR SEINE
FRANCE

[74] DEACONS

5th Floor, Alexandra House
Central
HONG KONG



[11] 1913732.8M001

[15] 27-05-2019

[30] 04-12-2018 / EM / 005843083

[51] Cl. 23-06

[54] 手提花灑

Hand shower

[73] Hansgrohe SE

Austr. 5-9

77761 Schiltach

GERMANY

[74] Rouse & Co. International (Overseas) Limited

18/F., Golden Centre,

188 Des Voeux Road Central,

HONG KONG



[11] 1913732.8M002

[15] 27-05-2019

[30] 04-12-2018 / EM / 005843083-0001

[51] Cl. 23-06

[54] 手提花灑

Hand shower

[73] Hansgrohe SE

Auestr. 5-9

77761 Schiltach

GERMANY

[74] Rouse & Co. International (Overseas) Limited

18/F., Golden Centre,

188 Des Voeux Road Central,

HONG KONG



[11] 1913732.8M003

[15] 27-05-2019

[30] 04-12-2018 / EM / 005843083-0001

[51] Cl. 23-06

[54] 手提花灑

Hand shower

[73] Hansgrohe SE

Auestr. 5-9

77761 Schiltach

GERMANY

[74] Rouse & Co. International (Overseas) Limited

18/F., Golden Centre,

188 Des Voeux Road Central,

HONG KONG



[11] 1913732.8M004

[15] 27-05-2019

[30] 04-12-2018 / EM / 005843083-0001

[51] Cl. 23-06

[54] 衛生花灑

Sanitary shower

[73] Hansgrohe SE

Austr. 5-9

77761 Schiltach

GERMANY

[74] Rouse & Co. International (Overseas) Limited

18/F., Golden Centre,

188 Des Voeux Road Central,

HONG KONG



[11] 1913732.8M005

[15] 27-05-2019

[30] 04-12-2018 / EM / 005843083-0001

[51] Cl. 23-06

[54] 衛生花灑

Sanitary shower

[73] Hansgrohe SE

Austr. 5-9

77761 Schiltach

GERMANY

[74] Rouse & Co. International (Overseas) Limited

18/F., Golden Centre,

188 Des Voeux Road Central,

HONG KONG



[11] 1913732.8M006

[15] 27-05-2019

[30] 04-12-2018 / EM / 005843083-0001

[51] Cl. 23-06

[54] 衛生花灑裝置

Sanitary shower fitting

[73] Hansgrohe SE

Austr. 5-9

77761 Schiltach

GERMANY

[74] Rouse & Co. International (Overseas) Limited

18/F., Golden Centre,

188 Des Voeux Road Central,

HONG KONG



[11] 1913748.2M002

[15] 28-05-2019

[51] Cl. 14-01

[54] 揚聲器

Loudspeaker

[73] 星權有限公司

Star Glory Limited

Room 905-907, 9/F., Cheung Sha Wan Plaza, Tower 1,
833 Cheung Sha Wan Road, Lai Chi Kok, Kowloon,
HONG KONG

[74] IPMS CONSULTANTS LIMITED

UNIT 2004B, 20/F, TOWER 5, CHINA HONG KONG CITY,
33 CANTON ROAD, TSIM SHA TSUI, KOWLOON,
HONG KONG



[11] 1913748.2M003

[15] 28-05-2019

[51] Cl. 14-01

[54] 揚聲器

Loudspeaker

[73] 星權有限公司

Star Glory Limited

Room 905-907, 9/F., Cheung Sha Wan Plaza, Tower 1,
833 Cheung Sha Wan Road, Lai Chi Kok, Kowloon,
HONG KONG

[74] IPMS CONSULTANTS LIMITED

UNIT 2004B, 20/F, TOWER 5, CHINA HONG KONG CITY,
33 CANTON ROAD, TSIM SHA TSUI, KOWLOON,
HONG KONG



[11] 1913748.2M004

[15] 28-05-2019

[51] Cl. 14-01

[54] 揚聲器

Loudspeaker

[73] 星權有限公司

Star Glory Limited

Room 905-907, 9/F., Cheung Sha Wan Plaza, Tower 1,
833 Cheung Sha Wan Road, Lai Chi Kok, Kowloon,
HONG KONG

[74] IPMS CONSULTANTS LIMITED

UNIT 2004B, 20/F, TOWER 5, CHINA HONG KONG CITY,
33 CANTON ROAD, TSIM SHA TSUI, KOWLOON,
HONG KONG



[11] 1913748.2M005

[15] 28-05-2019

[51] Cl. 14-01

[54] 揚聲器

Loudspeaker

[73] 星權有限公司

Star Glory Limited

Room 905-907, 9/F., Cheung Sha Wan Plaza, Tower 1,
833 Cheung Sha Wan Road, Lai Chi Kok, Kowloon,
HONG KONG

[74] IPMS CONSULTANTS LIMITED

UNIT 2004B, 20/F, TOWER 5, CHINA HONG KONG CITY,
33 CANTON ROAD, TSIM SHA TSUI, KOWLOON,
HONG KONG



[11] 1913748.2M006

[15] 28-05-2019

[51] Cl. 14-01

[54] 揚聲器

Loudspeaker

[73] 星權有限公司

Star Glory Limited

Room 905-907, 9/F., Cheung Sha Wan Plaza, Tower 1,
833 Cheung Sha Wan Road, Lai Chi Kok, Kowloon,
HONG KONG

[74] IPMS CONSULTANTS LIMITED

UNIT 2004B, 20/F, TOWER 5, CHINA HONG KONG CITY,
33 CANTON ROAD, TSIM SHA TSUI, KOWLOON,
HONG KONG



[11] 1913839.5M001

[15] 05-06-2019

[51] Cl. 20-03

[54] 廣告裝置

Advertising device

[73] 六福集團有限公司

Luk Fook Holdings Company Limited

Floor 15, 20, 25 & 27, Metropole Square,

No.2 On Yiu Street, Shatin, New Territories,

HONG KONG

[74] Luk Fook Holdings Company Limited (Legal Affairs Department)

Floor 25, Metropole Square

No.2 On Yiu Street, Shatin, New Territories,

HONG KONG



[11] 1913839.5M002

[15] 05-06-2019

[51] Cl. 20-03

[54] 廣告裝置

Advertising device

[73] 六福集團有限公司

Luk Fook Holdings Company Limited

Floor 15, 20, 25 & 27, Metropole Square,

No.2 On Yiu Street, Shatin, New Territories,
HONG KONG

- [74] Luk Fook Holdings Company Limited (Legal Affairs Department)
Floor 25, Metropole Square
No.2 On Yiu Street, Shatin, New Territories,
HONG KONG



[11] 1913839.5M003

[15] 05-06-2019

[51] Cl. 20-02

[54] 飾物陳列裝置

Ornament display device

[73] 六福集團有限公司

Luk Fook Holdings Company Limited
Floor 15, 20, 25 & 27, Metropole Square,
No.2 On Yiu Street, Shatin, New Territories,
HONG KONG

- [74] Luk Fook Holdings Company Limited (Legal Affairs Department)
Floor 25, Metropole Square
No.2 On Yiu Street, Shatin, New Territories,
HONG KONG



[11] 1913839.5M004

[15] 05-06-2019

[51] Cl. 20-02

[54] 飾物陳列裝置

Ornament display device

[73] 六福集團有限公司

Luk Fook Holdings Company Limited
Floor 15, 20, 25 & 27, Metropole Square,
No.2 On Yiu Street, Shatin, New Territories,
HONG KONG

[74] Luk Fook Holdings Company Limited (Legal Affairs Department)

Floor 25, Metropole Square
No.2 On Yiu Street, Shatin, New Territories,
HONG KONG



[11] 1913839.5M005

[15] 05-06-2019

[51] Cl. 20-02

[54] 飾物陳列裝置

Ornament display device

[73] 六福集團有限公司

Luk Fook Holdings Company Limited
Floor 15, 20, 25 & 27, Metropole Square,
No.2 On Yiu Street, Shatin, New Territories,
HONG KONG

[74] Luk Fook Holdings Company Limited (Legal Affairs Department)

Floor 25, Metropole Square
No.2 On Yiu Street, Shatin, New Territories,
HONG KONG



[11] 1913839.5M006

[15] 05-06-2019

[51] Cl. 20-02

[54] 飾物陳列裝置

Ornament display device

[73] 六福集團有限公司

Luk Fook Holdings Company Limited

Floor 15, 20, 25 & 27, Metropole Square,

No.2 On Yiu Street, Shatin, New Territories,

HONG KONG

[74] Luk Fook Holdings Company Limited (Legal Affairs Department)

Floor 25, Metropole Square

No.2 On Yiu Street, Shatin, New Territories,

HONG KONG



[11] 1913839.5M007

[15] 05-06-2019

[51] Cl. 20-02

[54] 飾物陳列裝置

Ornament display device

[73] 六福集團有限公司

Luk Fook Holdings Company Limited

Floor 15, 20, 25 & 27, Metropole Square,

No.2 On Yiu Street, Shatin, New Territories,

HONG KONG

[74] Luk Fook Holdings Company Limited (Legal Affairs Department)

Floor 25, Metropole Square

No.2 On Yiu Street, Shatin, New Territories,

HONG KONG





香港特別行政區政府知識產權署外觀設計註冊處

The Government of the Hong Kong Special Administrative Region

Designs Registry, Intellectual Property Department

根據註冊外觀設計條例第 28 條，下列註冊外觀設計因未繳續期費而停止有效。各組記項按註冊外觀設計停止有效日期及註冊編號先後次序排列。

Registered designs ceased through non-payment of renewal fees under section 28 of the Registered Designs Ordinance. Entries are listed below under their expiry dates.

28-11-2019 - 04-12-2019

28-11-2019	0902020.3	1402251.9M006
0412685.0	0902022.7	1402251.9M007
9911609.3	0902023.9	1402252.1M001

	0902028.0	1402252.1M002
--	-----------	---------------

29-11-2019	0902033.0	1402252.1M003
-------------------	-----------	---------------

0901984.5	1402227.9	1402252.1M004
-----------	-----------	---------------

0901985.8	1402228.1	1402252.1M005
-----------	-----------	---------------

0901989.6M001		1402252.1M006
---------------	--	---------------

0901989.6M002	02-12-2019	1402252.1M007
---------------	-------------------	---------------

0901995.9	0412789.0	1402253.3
-----------	-----------	-----------

	1402233.1	1402256.0
--	-----------	-----------

30-11-2019	1402234.3	1402258.4
-------------------	-----------	-----------

0412771.2	1402235.6	1402259.6M001
-----------	-----------	---------------

0412772.4	1402236.8	1402259.6M002
-----------	-----------	---------------

0901997.3	1402239.4	1402259.6M003
-----------	-----------	---------------

0902001.3	1402240.6	1402259.6M004
-----------	-----------	---------------

0902002.5	1402241.8	
-----------	-----------	--

1001008.0	1402243.2	04-12-2019
-----------	-----------	-------------------

1001009.2	1402244.4	1402261.0
-----------	-----------	-----------

9911633.3	1402245.7	1402262.2
-----------	-----------	-----------

	1402246.9	1402271.1
--	-----------	-----------

01-12-2019	1402247.1	1402272.3
-------------------	-----------	-----------

0412684.7	9911644.6	
-----------	-----------	--

0412777.5		
-----------	--	--

0902010.2	03-12-2019	
-----------	-------------------	--

0902011.4	0902042.9M001	
-----------	---------------	--

0902012.6	0902042.9M002	
-----------	---------------	--

0902013.8	1402248.3	
-----------	-----------	--

0902014.0	1402250.7	
-----------	-----------	--

0902015.3	1402251.9M001	
-----------	---------------	--

0902016.5	1402251.9M002	
-----------	---------------	--

0902017.7	1402251.9M003	
-----------	---------------	--

0902018.9	1402251.9M004	
-----------	---------------	--

0902019.1	1402251.9M005	
-----------	---------------	--



香港特別行政區政府知識產權署外觀設計註冊處

The Government of the Hong Kong Special Administrative Region

Designs Registry, Intellectual Property Department

根據註冊外觀設計規則第 31 條刪除的註冊外觀設計。各組記項按註冊外觀設計 刪除日期及註冊編號先後次序排列。

Registered designs removed under section 31 of the Registered Designs Rules. Entries are listed below under their removal dates.

06-12-2019 - 12-12-2019

06-12-2019	9910663.5M004	1401039.9M002
0900883.0	9910663.5M005	1401041.3
0900884.2	9910669.8	9910681.3
0900885.5	9910670.0	9910682.5
0900886.7		9910683.7
0900887.9	09-12-2019	
0900888.1	0411213.8M003	12-12-2019
0900889.3	0411225.4M001	0411264.5
1401000.7M001	0411225.4M002	0900926.3M001
1401000.7M002	0411229.2	0900926.3M002
1401000.7M003	0411230.4	1401043.7
1401001.9	0411231.6	1401046.4M003
1401003.3	0411232.8	1401048.8
1401004.5	0900895.6	1401049.0
1401005.8M001	0900896.8M001	1401050.2
1401006.0M001	0900896.8M002	1401053.8
1401006.0M002		1401054.0
1401007.2M001	10-12-2019	
1401007.2M002	0900902.2M001	
1401010.8	0900902.2M003	
	1401005.8M002	
07-12-2019	1401027.4	
1401012.2	1401028.6	
1401013.4	1401034.8	
1401014.6M001		
1401014.6M002	11-12-2019	
1401019.7	0411250.6	
1401021.1	0900906.1	
	0900920.0M003	
08-12-2019	1401035.1	
0411205.2	1401036.3	
0900892.9	1401037.5	
1401025.0	1401038.7	
9910663.5M003	1401039.9M001	