

香港知識產權公報

Hong Kong Intellectual Property Journal

2021 年 10 月 29 日

29 October 2021

目錄 Contents

根據註冊外觀設計條例第 25 條註冊的外觀設計

Designs Registered under section 25 of the Registered Designs Ordinance

按註冊編號排列

Arranged by Registration Number

根據註冊外觀設計條例(第 522 章)公布的其他公告

Other Notices Published under the Registered Designs Ordinance (Cap. 522)

根據註冊外觀設計條例第 28 條，註冊外觀設計因未繳續期費而停止有效

Registered designs ceased through non-payment of renewal fees under section 28 of the Registered Designs Ordinance

根據註冊外觀設計規則第 31 條刪除的註冊外觀設計

Registered designs removed under section 31 of the Registered Designs Rules

根據註冊外觀設計條例第 67 及 76 條，更正註冊紀錄冊內及已提交文件中的錯誤

Correction of Errors in Register and in Filed Documents under sections 67 and 76 of the Registered Designs Ordinance

以下事項沒有記錄

No Records for the Following Matters

根據註冊外觀設計條例第 30 條放棄的外觀設計的註冊

Surrender of Registration of Design under section 30 of the Registered Designs Ordinance

根據註冊外觀設計規則第 37 條，向處長作出轉介

Reference to Registrar under section 37 of the Registered Designs Rules

根據註冊外觀設計條例第 45 條，撤銷註冊

Revocation of Registration under section 45 of the Registered Designs Ordinance

根據註冊外觀設計規則第 46 條，向法院作出轉介

Reference to Court under section 46 of the Registered Designs Rules

根據註冊外觀設計規則第 63 條對不符合規定之處作出糾正

Rectification of Irregularities under section 63 of the Registered Designs Rules

根據註冊外觀設計條例第 66 條，糾正註冊紀錄冊

Rectification of Register under section 66 of the Registered Designs Ordinance

根據註冊外觀設計條例第 67 條 更正註冊紀錄冊內的錯誤

Correction of errors in Register under section 67 of the Registered Designs Ordinance

根據註冊外觀設計條例第 76 條，更正已提交文件中的錯誤

Correction of errors in filed documents under section 76 of the Registered Designs Ordinance

勘誤

Corrigendum

註冊外觀設計公告註釋

Notes on advertisements of registration of designs

方括號表示下列資料：

Square brackets indicate the following data：

[11] 註冊編號 Registration number / 聯合王國註冊編號 United Kingdom registration number

[15] 註冊日期 Registration date / 當作註冊日期 Deemed registration date / 聯合王國註冊日期 United Kingdom registration date

[17] 註冊有效期屆滿日期 Expiry date of the period of registration

[22] 提交日期 Filing date / 當作提交日期 Deemed filing date / 聯合王國提交日期 United Kingdom filing date

[30] 聲稱享有的優先權（提交日期 / 巴黎公約國或世界貿易組織成員 / 申請編號） Priority claimed (filing date / Paris Convention country or WTO member / application number)

[51] 國際外觀設計分類號（洛迦諾分類號） International Classification of designs (Locarno Classification)

[54] 物品 Article

[55] 外觀設計的表述 Representation of the design

[62] 分開前的申請編號及提交日期 Application number before division and filing date

[66] 過往註冊的聯繫外觀設計註冊編號 / 日期 Registration No. / Date of Previous Registration for Association

[72] 設計人 Designer

[73] 擁有人姓名和地址 Name and address of the owner

[74] 代理人 Agent /送達地址 Address for service



香港特別行政區政府知識產權署外觀設計註冊處

The Government of the Hong Kong Special Administrative Region

Designs Registry, Intellectual Property Department

根據註冊外觀設計條例第 25 條註冊的外觀設計

Designs registered under section 25 of the Registered Designs Ordinance

按註冊編號排列

Arranged by Registration Number

[11] 2118333.0M001

[15] 14-07-2021

[30] 14-01-2021 / CA, MA, SG, TN, TR, GB, EU, JP, KR / DM/212 699

[51] Cl. 3-01

[54] 手提包

Handbag

[73] MOYNAT PARIS SAS

348, rue Saint Honoré,

75001 Paris,

France

[74] WENPING PATENT & TRADE MARK AGENT LIMITED

1701 Tung Wai Commercial Building,

111 Gloucester Road,

Hong Kong



[11] 2118333.0M002

[15] 14-07-2021

[30] 14-01-2021 / CA, MA, SG, TN, TR, GB, EU, JP, KR / DM/212 699

[51] Cl. 3-01

[54] 手提包

Handbag

[73] MOYNAT PARIS SAS

348, rue Saint Honoré,

75001 Paris,

France

[74] WENPING PATENT & TRADE MARK AGENT LIMITED

1701 Tung Wai Commercial Building,

111 Gloucester Road,

Hong Kong



[11] 2118333.0M003

[15] 14-07-2021

[30] 14-01-2021 / CA, MA, SG, TN, TR, GB, EU, JP, KR / DM/212 699

[51] Cl. 3-01

[54] 手提包

Handbag

[73] MOYNAT PARIS SAS

348, rue Saint Honoré,

75001 Paris,

France

[74] WENPING PATENT & TRADE MARK AGENT LIMITED

1701 Tung Wai Commercial Building,

111 Gloucester Road,

Hong Kong



[11] 2118333.0M004

[15] 14-07-2021

[30] 14-01-2021 / CA, MA, SG, TN, TR, GB, EU, JP, KR / DM/212 699

[51] Cl. 3-01

[54] 手提包

Handbag

[73] MOYNAT PARIS SAS

348, rue Saint Honoré,

75001 Paris,

France

[74] WENPING PATENT & TRADE MARK AGENT LIMITED

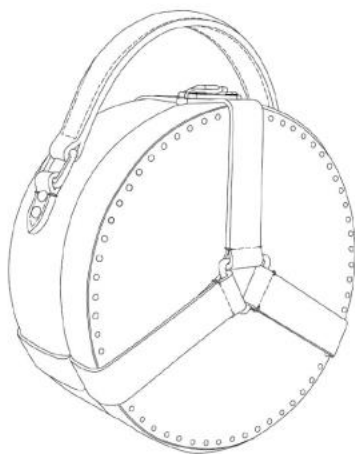
1701 Tung Wai Commercial Building,

111 Gloucester Road,

Hong Kong



- [11] 2118333.0M005
[15] 14-07-2021
[30] 19-02-2021 / CA, MA, SG, TN, TR, GB, US, EU, KR / DM/213 068
[51] Cl. 3-01
[54] 手提包
Handbag
[73] MOYNAT PARIS SAS
348, rue Saint Honoré,
75001 Paris,
France
[74] WENPING PATENT & TRADE MARK AGENT LIMITED
1701 Tung Wai Commercial Building,
111 Gloucester Road,
Hong Kong



-
- [11] 2118366.0
[15] 21-07-2021
[51] Cl. 13-03
[54] 通底的配電接線箱
Extension for adaptable junction box
[73] 美珠貿易有限公司
Mei Chu Trading Company Limited
香港火炭
山尾街 5-13 號
穗輝工廠大廈 8 樓 871 室
[74] Mei Chu Trading Company Limited
香港火炭
山尾街 5-13 號
穗輝工廠大廈 8 樓 871 室



[11] 2118367.2M001

[15] 21-07-2021

[51] Cl. 13-03

[54] 開關及插座箱

Switch and socket box

[73] 美珠貿易有限公司

Mei Chu Trading Company Limited

香港火炭

山尾街 5-13 號

穗輝工廠大廈 8 樓 871 室

[74] Mei Chu Trading Company Limited

香港火炭

山尾街 5-13 號

穗輝工廠大廈 8 樓 871 室



[11] 2118367.2M002

[15] 21-07-2021

[51] Cl. 13-03

[54] 開關及插座箱

Switch and socket box

[73] 美珠貿易有限公司

Mei Chu Trading Company Limited

香港火炭

山尾街 5-13 號
穗輝工廠大廈 8 樓 871 室

[74] Mei Chu Trading Company Limited
香港火炭
山尾街 5-13 號
穗輝工廠大廈 8 樓 871 室



[11] 2118406.6M001

[15] 27-07-2021

[51] Cl. 7-07

[54] 連體直分格餐盒

Conjoined lunch box with straight compartments

[73] 惠州市冠展實業有限公司

中國內地

廣東省惠州市仲愷高新區惠環街道

西坑工業區 38 號 1 、 2 號廠房

[74] 卓遠知識產權有限公司

香港上環

禧利街 27 號

富輝商業中心 10 樓



[11] 2118406.6M002

[15] 27-07-2021

[51] Cl. 7-07

[54] 防燙防滑分體餐盒

Scald-proof and skid-proof lunch box with compartments

[73] 惠州市冠展實業有限公司

中國內地

廣東省惠州市仲愷高新區惠環街道

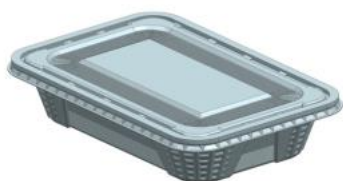
西坑工業區 38 號 1 、 2 號廠房

[74] 卓遠知識產權有限公司

香港上環

禧利街 27 號

富輝商業中心 10 樓



[11] 2118416.7M001

[15] 28-07-2021

[51] Cl. 2-02

[54] 褲

Pant

[73] 啟立國際貿易有限公司

QL INTERNATIONAL TRADING LIMITED

香港九龍

土瓜灣旭日街 1 號 A

福成工業大廈 12 樓 A 座

[74] 啟立國際貿易有限公司

香港九龍

土瓜灣旭日街 1 號 A

福成工業大廈 12 樓 A 座



[11] 2118416.7M002

[15] 28-07-2021

[51] Cl. 2-02

[54] 褲
Pant

[73] 啟立國際貿易有限公司
QL INTERNATIONAL TRADING LIMITED
香港九龍
土瓜灣旭日街 1 號 A
福成工業大廈 12 樓 A 座

[74] 啟立國際貿易有限公司
香港九龍
土瓜灣旭日街 1 號 A
福成工業大廈 12 樓 A 座



[11] 2118416.7M003

[15] 28-07-2021

[51] Cl. 2-02

[54] 褲
Pant

[73] 啟立國際貿易有限公司
QL INTERNATIONAL TRADING LIMITED
香港九龍
土瓜灣旭日街 1 號 A
福成工業大廈 12 樓 A 座

[74] 啟立國際貿易有限公司
香港九龍
土瓜灣旭日街 1 號 A
福成工業大廈 12 樓 A 座



[11] 2118425.6M001

[15] 29-07-2021

[30] 11-03-2021 / US / 29/773,737

[51] Cl. 2-04

[54] 具有外飾底的尖頭鞋
Pointed toe shoe with outsole patch

[73] Gavrieli Brands LLC
269 S. Beverly Drive, Suite 1402,
Beverly Hills, CA 90212,
United States of America

[74] BAIRUI PATENT & TRADEMARK OFFICE LIMITED
Flat/Rm1502, Easey Commercial Building,
253-261 Hennessy Road,
Wan Chai, Hong Kong



[11] 2118425.6M002

[15] 29-07-2021

[30] 11-03-2021 / US / 29/773,737

[51] Cl. 2-04

[54] 具有外飾底的尖頭鞋

Pointed toe shoe with outsole patch

[73] Gavrieli Brands LLC

269 S. Beverly Drive, Suite 1402,

Beverly Hills, CA 90212,

United States of America

[74] BAIRUI PATENT & TRADEMARK OFFICE LIMITED

Flat/Rm1502, Easey Commercial Building,

253-261 Hennessy Road,

Wan Chai, Hong Kong



[11] 2118426.8

[15] 29-07-2021

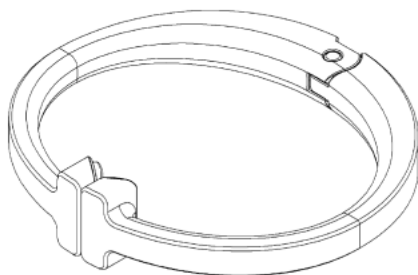
[30] 20-04-2021 / KR / 30-2021-0018947

[51] Cl. 8-08

[54] 便攜式掛包鉤
Portable bag hanger

[73] 柳俊秀
RYU An Soo
12-202, 71, Apgujeong-ro 29-gil,
Gangnam-gu, Seoul,
Korea, Republic of

[74] ACCOLADE IP LIMITED
10/F, Fu Fai Comm. Ctr.,
27 Hillier Street,
Sheung Wan, Hong Kong



[11] 2118427.0

[15] 29-07-2021

[51] Cl. 9-01

[54] 水瓶
Bottle

[73] 寇埃克斯有限責任公司
Coexs LLC.
美國
羅得島州普洛威頓斯縣帕森尼奇街 22 號 154 室
郵編: 02903

[74] 天標知識產權代理有限公司
香港九龍
尖沙咀加連威老道 14 號
加連威大廈 4 樓 A 座



[11] 2118428.2

[15] 29-07-2021

[51] Cl. 28-05

[54] 香薰盒

Aromatherapy box

[73] 盛開蓮花有限公司

Bloomy Lotus Ltd

Unit 4711, 47/F., The Center,

99 Queen's Road Central,

Central, Hong Kong

[74] FEDERATION OF HONG KONG INDUSTRIES

31/F, Billion Plaza,

8 Cheung Yue Street,

Cheung Sha Wan, Kowloon, Hong Kong



[11] 2118429.4M001

[15] 29-07-2021

[51] Cl. 23-04

[54] 香薰機

Aroma diffuser

[73] 盛開蓮花有限公司

Bloomy Lotus Ltd

Unit 4711, 47/F., The Center,

99 Queen's Road Central,

Central, Hong Kong

[74] FEDERATION OF HONG KONG INDUSTRIES

31/F, Billion Plaza,

8 Cheung Yue Street,

Cheung Sha Wan, Kowloon, Hong Kong



[11] 2118429.4M002

[15] 29-07-2021

[51] Cl. 23-04

[54] 香薰機

Aroma diffuser

[73] 盛開蓮花有限公司

Bloomy Lotus Ltd

Unit 4711, 47/F., The Center,

99 Queen's Road Central,

Central, Hong Kong

[74] FEDERATION OF HONG KONG INDUSTRIES

31/F, Billion Plaza,

8 Cheung Yue Street,

Cheung Sha Wan, Kowloon, Hong Kong



[11] 2118429.4M003

[15] 29-07-2021

[51] Cl. 23-04

[54] 香薰機

Aroma diffuser

[73] 盛開蓮花有限公司

Bloomy Lotus Ltd

Unit 4711, 47/F., The Center,

99 Queen's Road Central,

Central, Hong Kong

[74] FEDERATION OF HONG KONG INDUSTRIES

31/F, Billion Plaza,

8 Cheung Yue Street,

Cheung Sha Wan, Kowloon, Hong Kong



[11] 2118430.6

[15] 29-07-2021

[30] 24-03-2021 / JP / 006149 of 2021

[51] Cl. 12-12

[54] 嬰兒車

Baby carriage

[73] 康貝株式會社

COMBI CORPORATION

2-6-7, Moto-asakusa,

Taito-ku, Tokyo 1110041,

Japan

[74] SANYOU INTELLECTUAL PROPERTY LIMITED

Room 601, 6/F., Yue Xiu Building,

160-174 Lockhart Road,

Wanchai, Hong Kong



[11] 2118431.8M001

[15] 30-07-2021

[51] Cl. 14-03

[54] 遙控器

Remote controller

[73] 廣東松下環境系統有限公司

Panasonic Ecology Systems Guangdong Co., Ltd

中國內地

廣東省佛山市順德高新區（容桂）

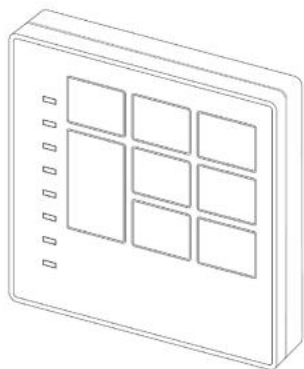
朝桂南路 2 號（528306）

[74] 誠通專利商標（香港）有限公司

香港灣仔

港灣道一號

會展廣場辦公大樓 34 樓 09 室



[11] 2118431.8M002

[15] 30-07-2021

[51] Cl. 14-03

[54] 遙控器

Remote controller

[73] 廣東松下環境系統有限公司

Panasonic Ecology Systems Guangdong Co., Ltd

中國內地

廣東省佛山市順德高新區（容桂）

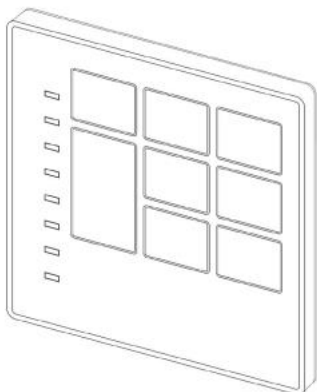
朝桂南路 2 號（528306）

[74] 誠通專利商標（香港）有限公司

香港灣仔

港灣道一號

會展廣場辦公大樓 34 樓 09 室



[11] 2118431.8M003

[15] 30-07-2021

[51] Cl. 14-03

[54] 遙控器

Remote controller

[73] 廣東松下環境系統有限公司

Panasonic Ecology Systems Guangdong Co., Ltd

中國內地

廣東省佛山市順德高新區（容桂）

朝桂南路 2 號（528306）

[74] 誠通專利商標（香港）有限公司

香港灣仔

港灣道一號

會展廣場辦公大樓 34 樓 09 室



[11] 2118431.8M004

[15] 30-07-2021

[51] Cl. 14-03

[54] 遙控器

Remote controller

[73] 廣東松下環境系統有限公司

Panasonic Ecology Systems Guangdong Co., Ltd

中國內地

廣東省佛山市順德高新區（容桂）

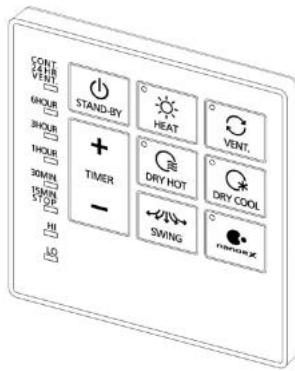
朝桂南路 2 號（528306）

[74] 誠通專利商標（香港）有限公司

香港灣仔

港灣道一號

會展廣場辦公大樓 34 樓 09 室



[11] 2118431.8M005

[15] 30-07-2021

[51] Cl. 14-03

[54] 遙控器

Remote controller

[73] 廣東松下環境系統有限公司

Panasonic Ecology Systems Guangdong Co., Ltd

中國內地

廣東省佛山市順德高新區（容桂）

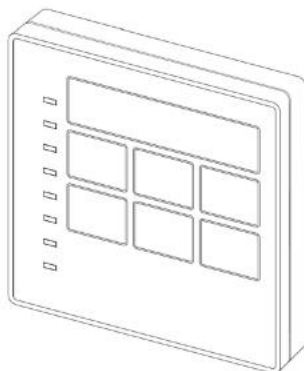
朝桂南路 2 號（528306）

[74] 誠通專利商標（香港）有限公司

香港灣仔

港灣道一號

會展廣場辦公大樓 34 樓 09 室



[11] 2118431.8M006

[15] 30-07-2021

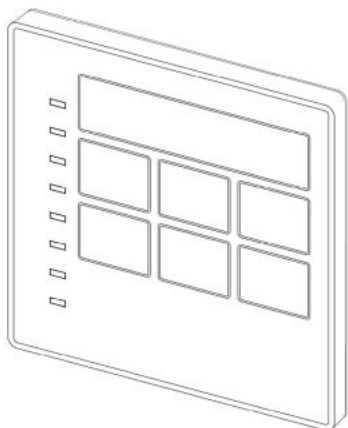
[51] Cl. 14-03

[54] 遙控器

Remote controller

[73] 廣東松下環境系統有限公司
Panasonic Ecology Systems Guangdong Co., Ltd
中國內地
廣東省佛山市順德高新區（容桂）
朝桂南路 2 號（528306）

[74] 誠通專利商標（香港）有限公司
香港灣仔
港灣道一號
會展廣場辦公大樓 34 樓 09 室



[11] 2118431.8M007

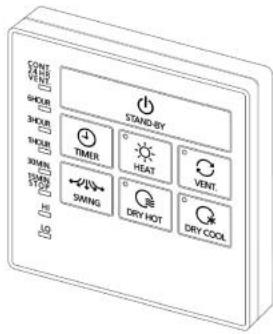
[15] 30-07-2021

[51] Cl. 14-03

[54] 遙控器
Remote controller

[73] 廣東松下環境系統有限公司
Panasonic Ecology Systems Guangdong Co., Ltd
中國內地
廣東省佛山市順德高新區（容桂）
朝桂南路 2 號（528306）

[74] 誠通專利商標（香港）有限公司
香港灣仔
港灣道一號
會展廣場辦公大樓 34 樓 09 室



[11] 2118431.8M008

[15] 30-07-2021

[51] Cl. 14-03

[54] 遙控器

Remote controller

[73] 廣東松下環境系統有限公司

Panasonic Ecology Systems Guangdong Co., Ltd

中國內地

廣東省佛山市順德高新區（容桂）

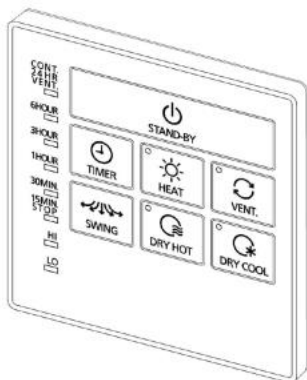
朝桂南路2號（528306）

[74] 誠通專利商標（香港）有限公司

香港灣仔

港灣道一號

會展廣場辦公大樓34樓09室



[11] 2118432.0M001

[15] 30-07-2021

[30] 03-02-2021 / EU / 008424543

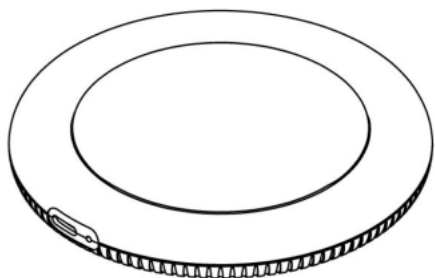
[51] Cl. 13-02

[54] 流動裝置的充電座

Charging station for mobile devices

[73] Meinhard Mombauer
Toyota-Allee 54,
Cologne,
Germany

[74] NTD PATENT & TRADE MARK AGENCY LIMITED
Units 1805-6, 18/F.,
Greenfield Tower, Concordia Plaza,
No. 1 Science Museum Road,
Tsimshatsui East, Kowloon, Hong Kong



[11] 2118432.0M002

[15] 30-07-2021

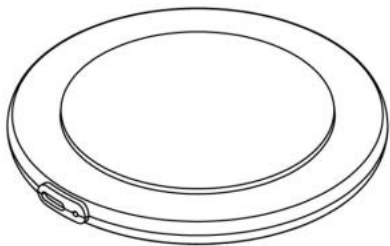
[30] 03-02-2021 / EU / 008424543

[51] Cl. 13-02

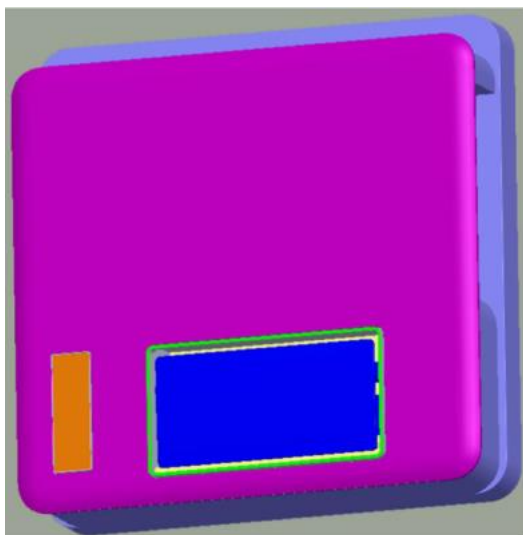
[54] 流動裝置的充電座
Charging station for mobile devices

[73] Meinhard Mombauer
Toyota-Allee 54,
Cologne,
Germany

[74] NTD PATENT & TRADE MARK AGENCY LIMITED
Units 1805-6, 18/F.,
Greenfield Tower, Concordia Plaza,
No. 1 Science Museum Road,
Tsimshatsui East, Kowloon, Hong Kong



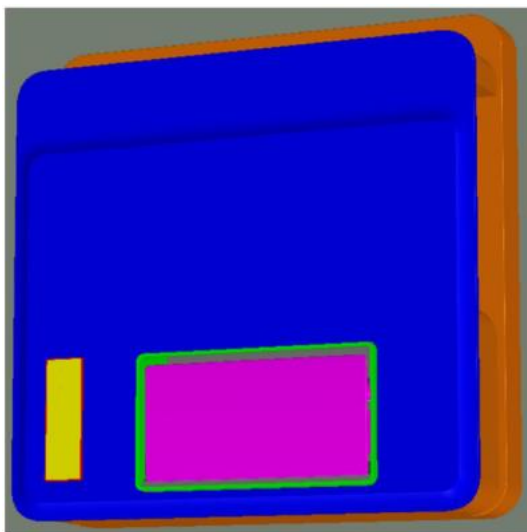
- [11] 2118433.2M001
[15] 30-07-2021
[51] Cl. 23-03
[54] 取暖換氣扇用面罩
Mask for heating and ventilating fan
[73] 廣東松下環境系統有限公司
Panasonic Ecology Systems Guangdong Co., Ltd
中國內地
廣東省佛山市順德高新區（容桂）
朝桂南路 2 號（528306）
[74] 誠通專利商標（香港）有限公司
香港灣仔
港灣道一號
會展廣場辦公大樓 34 樓 09 室



-
- [11] 2118433.2M002
[15] 30-07-2021
[51] Cl. 23-03
[54] 取暖換氣扇用面罩
Mask for heating and ventilating fan
[73] 廣東松下環境系統有限公司
Panasonic Ecology Systems Guangdong Co., Ltd
中國內地
廣東省佛山市順德高新區（容桂）
朝桂南路 2 號（528306）
[74] 誠通專利商標（香港）有限公司
香港灣仔

港灣道一號

會展廣場辦公大樓 34 樓 09 室



[11] 2118434.4

[15] 30-07-2021

[51] Cl. 3-01

[54] 行李箱

Luggage

[73] 新秀麗 IP 控股有限責任公司

Samsonite IP Holdings S.à r.l.

13-15 avenue de la Liberté,

L-1931 Luxembourg,

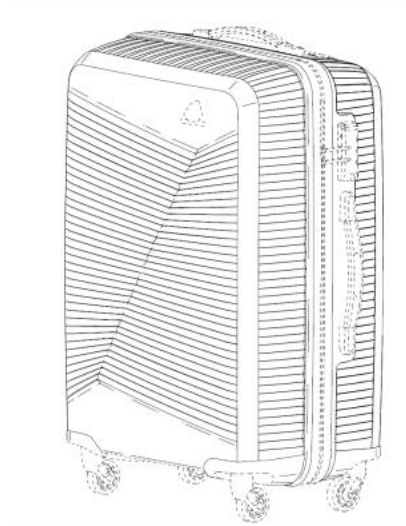
Luxembourg

[74] WILKINSON & GRIST

6th Floor, Prince's Building,

Chater Road,

Hong Kong



[11] 2118435.7

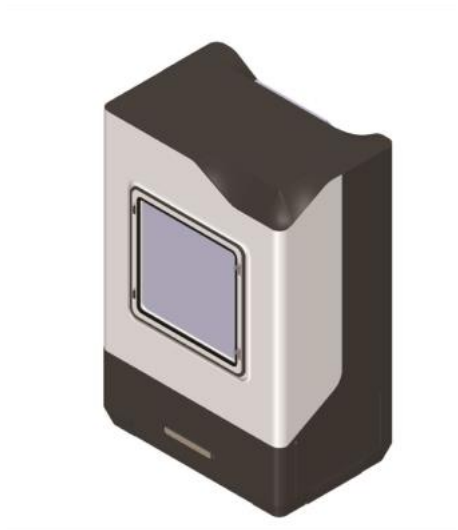
[15] 30-07-2021

[51] Cl. 24-01

[54] 模塊化潔淨室
Clean chamber module

[73] 精密睿創系統有限公司
INTELLIGENT PRECISION MICRO-SYSTEMS LIMITED
Unit 226, 2/F., Building 16W,
16 Science Park West Avenue,
Hong Kong Science Park,
Pak Shek Kok, Hong Kong

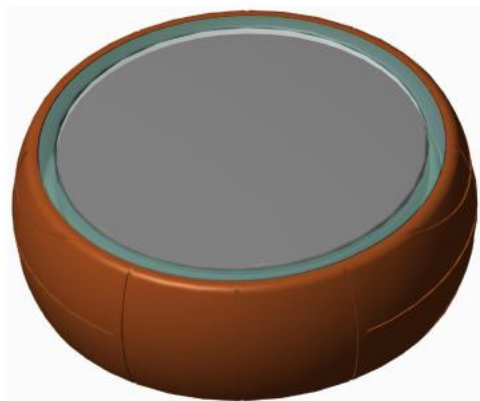
[74] BENNY KONG & TSAI
Unit 19B, Overseas Trust Bank Building,
No. 160 Gloucester Road,
Wanchai, Hong Kong



- [11] 2118436.9
[15] 30-07-2021
[51] Cl. 10-04
[54] 三維感應計步器
3D sensor pedometer
[73] JASKEY ELECTRONICS COMPANY LIMITED
Room 2102B & C, 21st Floor, Nan Fung Centre,
264-298 Castle Peak Road,
Tsuen Wan, New Territories, Hong Kong
[74] CHAN, TANG & KWOK
Rooms 2503-04, 25/F.,
Shanghai Industrial Investment Building,
48-62 Hennessy Road,
Wanchai, Hong Kong



-
- [11] 2118437.1
[15] 30-07-2021
[51] Cl. 10-03
[54] 多功能計時器
Multi-function timer
[73] JASKEY ELECTRONICS COMPANY LIMITED
Room 2102B & C, 21st Floor, Nan Fung Centre,
264-298 Castle Peak Road,
Tsuen Wan, New Territories, Hong Kong
[74] CHAN, TANG & KWOK
Rooms 2503-04, 25/F.,
Shanghai Industrial Investment Building,
48-62 Hennessy Road,
Wanchai, Hong Kong



[11] 2118438.3M001

[15] 30-07-2021

[51] Cl. 3-01

[54] 多功能藥盒

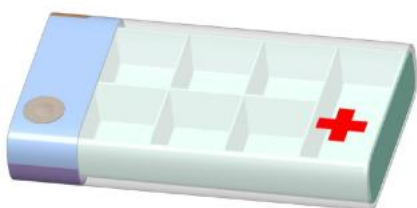
Multi-function pill box

[73] JASKEY ELECTRONICS COMPANY LIMITED

Room 2102B & C, 21st Floor, Nan Fung Centre,
264-298 Castle Peak Road,
Tsuen Wan, New Territories, Hong Kong

[74] CHAN, TANG & KWOK

Rooms 2503-04, 25/F.,
Shanghai Industrial Investment Building,
48-62 Hennessy Road,
Wanchai, Hong Kong



[11] 2118438.3M002

[15] 30-07-2021

[51] Cl. 3-01

[54] 多功能藥盒

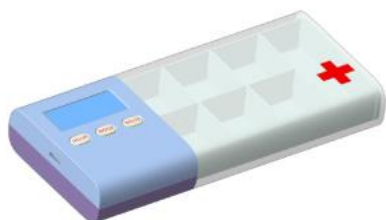
Multi-function pill box

[73] JASKEY ELECTRONICS COMPANY LIMITED

Room 2102B & C, 21st Floor, Nan Fung Centre,

264-298 Castle Peak Road,
Tsuen Wan, New Territories, Hong Kong

- [74] CHAN, TANG & KWOK
Rooms 2503-04, 25/F.,
Shanghai Industrial Investment Building,
48-62 Hennessy Road,
Wanchai, Hong Kong



-
- [11] 2118439.5
[15] 30-07-2021
[30] 01-02-2021 / EU / 008422380-0004
[51] Cl. 28-03

[54] 理髮器
Hair clipper

- [73] Wahl GmbH
Roggenbachweg 9,
78089 Unterkirnach,
Germany

- [74] IPMS CONSULTANTS LIMITED
Unit 2004B, 20/F, Tower 5, China Hong Kong City,
33 Canton Road,
Tsim Sha Tsui, Kowloon, Hong Kong



[11] 2118440.7

[15] 30-07-2021

[30] 01-02-2021 / EU / 008422380-0003

[51] Cl. 28-03

[54] 理髮器

Hair clipper

[73] Wahl GmbH

Roggenbachweg 9,
78089 Unterkirnach,
Germany

[74] IPMS CONSULTANTS LIMITED

Unit 2004B, 20/F, Tower 5, China Hong Kong City,
33 Canton Road,
Tsim Sha Tsui, Kowloon, Hong Kong



[11] 2118441.9

[15] 30-07-2021

[30] 01-07-2021 / CN / 202130414366.4

[51] Cl. 28-03

[54] 按摩器

Massager

[73] 楊雯敏

WENMIN YANG

中國內地

廣東省深圳市龍崗區坂雪崗大道2號
萬科城三期F區3號樓E單元1104

[74] 港智國際知識產權代理有限公司

香港上環

德輔道中272-284號

興業商業中心5樓505室



-
- [11] 2118442.1
[15] 30-07-2021
[30] 01-07-2021 / CN / 202130414634.2
[51] Cl. 9-03
[54] 按摩器收納盒
Massager storage box
[73] 楊雯敏
WENMIN YANG
中國內地
廣東省深圳市龍崗區坂雪崗大道 2 號
萬科城三期 F 區 3 號樓 E 單元 1104
[74] 港智國際知識產權代理有限公司
香港上環
德輔道中 272-284 號
興業商業中心 5 樓 505 室



-
- [11] 2118443.3

[15] 02-08-2021

[51] Cl. 14-01

[54] 揚聲器

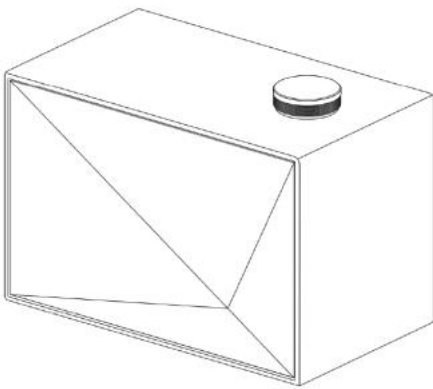
Speaker

[73] Dreamus Company

311, Gangnam-daero,
Seocho-gu, Seoul, 06628,
Korea, Republic of

[74] Rouse & Co. International (Overseas) Limited

26/F., Tesbury Centre,
28 Queen's Road East,
Hong Kong



[11] 2118444.5

[15] 02-08-2021

[30] 19-03-2021 / KR / 30-2021-0013333

[51] Cl. 9-05

[54] 雪糕包裝

Packaging for ice cream

[73] Binggrae Co., Ltd.

45, Dasansunhwan-ro,
Namyangju-si, Gyeonggi-do,
Korea, Republic of

[74] NTD PATENT & TRADE MARK AGENCY LIMITED

Units 1805-6, 18/F., Greenfield Tower,
Concordia Plaza,
No. 1 Science Museum Road,
Tsimshatsui East, Kowloon, Hong Kong



[11] 2118447.2

[15] 03-08-2021

[30] 03-02-2021 / JP / 002391 of 2021

[51] Cl. 9-01

[54] 帶有塗抹器的包裝容器

A container for package with the applicator

[73] ALBION CO., LTD.

1-7-10, Ginza, Chuo-Ku,

Tokyo, 104-0061,

Japan

[74] WILKINSON & GRIST

6th Floor, Prince's Building,

Chater Road,

Hong Kong



[11] 2118448.4M001

[15] 03-08-2021

[30] 03-02-2021 / JP / 002392 of 2021

- [51] Cl. 28-02
- [54] 一個唇膏容器
A lipstick container
- [73] ALBION CO., LTD.
1-7-10, Ginza, Chuo-Ku,
Tokyo, 104-0061,
Japan
- [74] WILKINSON & GRIST
6th Floor, Prince's Building,
Chater Road,
Hong Kong



-
- [11] 2118448.4M002
- [15] 03-08-2021
- [30] 03-02-2021 / JP / 002393 of 2021
- [51] Cl. 28-02
- [54] 一個唇膏容器
A lipstick container
- [73] ALBION CO., LTD.
1-7-10, Ginza, Chuo-Ku,
Tokyo, 104-0061,
Japan
- [74] WILKINSON & GRIST
6th Floor, Prince's Building,
Chater Road,
Hong Kong

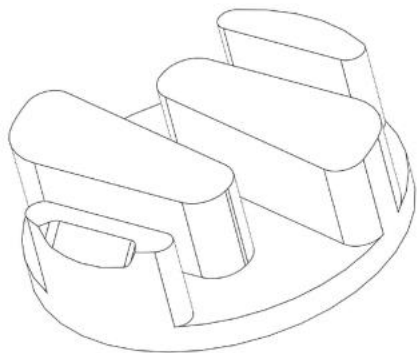


- [11] 2118450.8
[15] 03-08-2021
[51] Cl. 7-07
[54] 食品盒用防撞條
Anti-collision strip for food boxes
[73] 陳鐘鴻
Chan Chung Hung
香港九龍
油塘高輝道 17 號
油塘工業城 A2 座 13 字樓 13-16 室
[74] 卓遠知識產權有限公司
香港上環
禧利街 27 號
富輝商業中心 10 樓



-
- [11] 2118451.0
[15] 03-08-2021
[51] Cl. 7-04
[54] 砧板座
Kitchen board stand
[73] 哈度有限公司
Hazuto Limited
香港葵芳
葵涌廣場第 3 座 8G
[74] 江炳滔律師事務所
香港灣仔

告士打道 160 號
海外信託銀行大廈 19 樓 B 室



[11] 2118454.6M001

[15] 04-08-2021

[30] 05-02-2021 / HR, BE, FR, DE, LU, MC, NL, HU, SI, RS, SG, ES,
CH, VN, IL, IT / DM/212 640

[51] Cl. 11-01

[54] 項鍊

Necklace

[73] CHANEL

135 avenue Charles de Gaulle,
92200 Neuilly-sur-Seine,
France

[74] WILKINSON & GRIST

6th Floor, Prince's Building,
Chater Road,
Hong Kong



[11] 2118454.6M002

[15] 04-08-2021

[30] 05-02-2021 / HR, BE, FR, DE, LU, MC, NL, HU, SI, RS, SG, ES,
CH, VN, IL, IT / DM/212 640

[51] Cl. 11-01

[54] 項鏈
Necklace

[73] CHANEL
135 avenue Charles de Gaulle,
92200 Neuilly-sur-Seine,
France

[74] WILKINSON & GRIST
6th Floor, Prince's Building,
Chater Road,
Hong Kong



[11] 2118454.6M003

[15] 04-08-2021

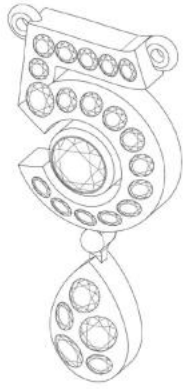
[30] 05-02-2021 / HR, BE, FR, DE, LU, MC, NL, HU, SI, RS, SG, ES,
CH, VN, IL, IT / DM/212 640

[51] Cl. 11-01

[54] 吊咀
Pendant

[73] CHANEL
135 avenue Charles de Gaulle,
92200 Neuilly-sur-Seine,
France

[74] WILKINSON & GRIST
6th Floor, Prince's Building,
Chater Road,
Hong Kong



[11] 2118454.6M004

[15] 04-08-2021

[30] 05-02-2021 / HR, BE, FR, DE, LU, MC, NL, HU, SI, RS, SG, ES,
CH, VN, IL, IT / DM/212 640

[51] Cl. 11-01

[54] 吊咀

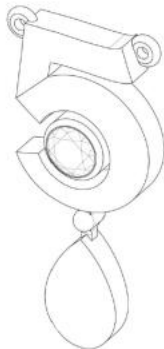
Pendant

[73] CHANEL

135 avenue Charles de Gaulle,
92200 Neuilly-sur-Seine,
France

[74] WILKINSON & GRIST

6th Floor, Prince's Building,
Chater Road,
Hong Kong



[11] 2118454.6M005

[15] 04-08-2021

[30] 05-02-2021 / HR, BE, FR, DE, LU, MC, NL, HU, SI, RS, SG, ES,
CH, VN, IL, IT / DM/212 640

[51] Cl. 11-01

[54] 戒指

Ring

[73] CHANEL

135 avenue Charles de Gaulle,
92200 Neuilly-sur-Seine,
France

[74] WILKINSON & GRIST

6th Floor, Prince's Building,
Chater Road,
Hong Kong



[11] 2118454.6M006

[15] 04-08-2021

[30] 05-02-2021 / HR, BE, FR, DE, LU, MC, NL, HU, SI, RS, SG, ES,
CH, VN, IL, IT / DM/212 640

[51] Cl. 11-01

[54] 戒指

Ring

[73] CHANEL

135 avenue Charles de Gaulle,
92200 Neuilly-sur-Seine,
France

[74] WILKINSON & GRIST

6th Floor, Prince's Building,
Chater Road,
Hong Kong



[11] 2118454.6M007

[15] 04-08-2021

[30] 05-02-2021 / HR, BE, FR, DE, LU, MC, NL, HU, SI, RS, SG, ES,
CH, VN, IL, IT / DM/212 640

[51] Cl. 11-01

[54] 耳環

Earring

[73] CHANEL

135 avenue Charles de Gaulle,
92200 Neuilly-sur-Seine,
France

[74] WILKINSON & GRIST

6th Floor, Prince's Building,
Chater Road,
Hong Kong



[11] 2118454.6M008

[15] 04-08-2021

[30] 05-02-2021 / HR, BE, FR, DE, LU, MC, NL, HU, SI, RS, SG, ES,
CH, VN, IL, IT / DM/212 640

[51] Cl. 11-01

[54] 耳環

Earring

[73] CHANEL

135 avenue Charles de Gaulle,
92200 Neuilly-sur-Seine,
France

[74] WILKINSON & GRIST

6th Floor, Prince's Building,
Chater Road,
Hong Kong



[11] 2118454.6M009

[15] 04-08-2021

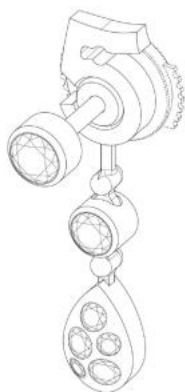
[30] 05-02-2021 / HR, BE, FR, DE, LU, MC, NL, HU, SI, RS, SG, ES,
CH, VN, IL, IT / DM/212 640

[51] Cl. 11-01

[54] 耳環
Earring

[73] CHANEL
135 avenue Charles de Gaulle,
92200 Neuilly-sur-Seine,
France

[74] WILKINSON & GRIST
6th Floor, Prince's Building,
Chater Road,
Hong Kong



[11] 2118454.6M010

[15] 04-08-2021

[30] 05-02-2021 / HR, BE, FR, DE, LU, MC, NL, HU, SI, RS, SG, ES,
CH, VN, IL, IT / DM/212 640

[51] Cl. 11-01

[54] 耳環

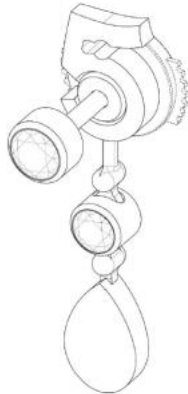
Earring

[73] CHANEL

135 avenue Charles de Gaulle,
92200 Neuilly-sur-Seine,
France

[74] WILKINSON & GRIST

6th Floor, Prince's Building,
Chater Road,
Hong Kong



[11] 2118455.9M001

[15] 04-08-2021

[51] Cl. 26-02

[54] 燈籠

Lantern

[73] 蔡國浩

CHOI Kwok Ho
香港新界
元朗朗屏邨
寶屏樓 2809 號

[74] 蔡國浩

香港新界
元朗朗屏邨
寶屏樓 2809 號



[11] 2118455.9M002

[15] 04-08-2021

[51] Cl. 26-02

[54] 燈籠

Lantern

[73] 蔡國浩

CHOI Kwok Ho

香港新界

元朗朗屏邨

寶屏樓 2809 號

[74] 蔡國浩

香港新界

元朗朗屏邨

寶屏樓 2809 號



[11] 2118456.1

[15] 04-08-2021

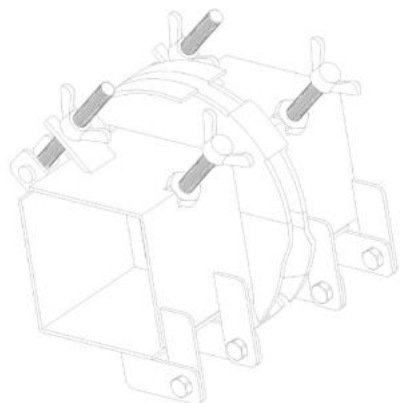
[51] Cl. 8-08

[54] 線纜夾具

Cable clamp

[73] 香港能源建設有限公司
HONG KONG ENERGY INFRASTRUCTURE LIMITED
香港九龍
馬頭角道 116 號
新寶工商中心第 2 期高層地下 8 室

[74] 易註知識產權有限公司
香港灣仔
軒尼詩道 8 號
中港大廈 14 樓



[11] 2118459.7

[15] 05-08-2021

[30] 05-02-2021 / CN / 202130084875.5

[51] C1. 16-01

[54] 攝像頭
Camera

[73] 北京小米移動軟件有限公司
Beijing Xiaomi Mobile Software Co., Ltd.
中國內地
北京市海澱區西二旗中路 33 號院
6 號樓 8 層 018 號

[74] 隆天專利商標代理有限公司
香港長沙灣
青山道 485 號
九龍廣場 10 樓 11 室



[11] 2118460.9

[15] 05-08-2021

[51] Cl. 14-01

[54] 耳機

Earphone

[73] Dreamus Company

311, Gangnam-daero, Seocho-gu,

Seoul, 06628,

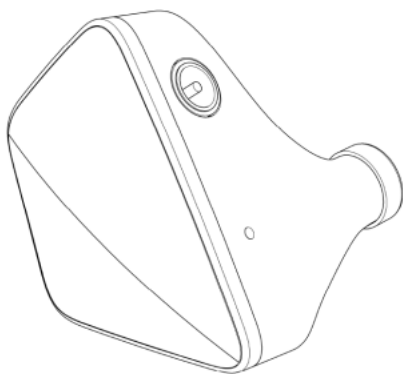
Korea, Republic of

[74] Rouse & Co. International (Overseas) Limited

26/F., Tesbury Centre,

28 Queen's Road East,

Hong Kong



[11] 2118461.1M001

[15] 05-08-2021

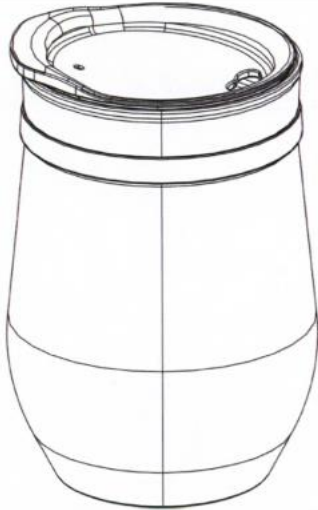
[51] Cl. 7-01

[54] 水杯連蓋

Mug with lid

[73] BND LIMITED
Flat B, 6/F, Tong Yuen Factory Building,
505 Castle Peak Road,
Lai Chi Kok, Kowloon, Hong Kong

[74] BND LIMITED
Flat B, 6/F, Tong Yuen Factory Building,
505 Castle Peak Road,
Lai Chi Kok, Kowloon, Hong Kong



[11] 2118461.1M002

[15] 05-08-2021

[51] Cl. 7-01

[54] 水樽連蓋

Drinking bottle with lid

[73] BND LIMITED
Flat B, 6/F, Tong Yuen Factory Building,
505 Castle Peak Road,
Lai Chi Kok, Kowloon, Hong Kong

[74] BND LIMITED
Flat B, 6/F, Tong Yuen Factory Building,
505 Castle Peak Road,
Lai Chi Kok, Kowloon, Hong Kong



[11] 2118461.1M003

[15] 05-08-2021

[51] Cl. 7-01

[54] 水樽連蓋

Drinking bottle with lid

[73] BND LIMITED

Flat B, 6/F, Tong Yuen Factory Building,
505 Castle Peak Road,
Lai Chi Kok, Kowloon, Hong Kong

[74] BND LIMITED

Flat B, 6/F, Tong Yuen Factory Building,
505 Castle Peak Road,
Lai Chi Kok, Kowloon, Hong Kong



[11] 2118462.3M001

- [15] 05-08-2021
- [30] 02-07-2021 / CH, GB, EU, JP, KR / WIPO106419
- [51] Cl. 11-01
- [54] 手鐲
Bracelet
- [73] Buccellati Holding Italia S.p.A.
Via Brisa 5,
I-20123 Milano,
Italy
- [74] CHINA PATENT AGENT (HONG KONG) LIMITED
22/F, Great Eagle Centre,
23 Harbour Road,
Wanchai, Hong Kong



-
- [11] 2118462.3M002
- [15] 05-08-2021
- [30] 02-07-2021 / CH, GB, EU, JP, KR / WIPO106419
- [51] Cl. 11-01
- [54] 環件
Ring
- [73] Buccellati Holding Italia S.p.A.
Via Brisa 5,
I-20123 Milano,
Italy
- [74] CHINA PATENT AGENT (HONG KONG) LIMITED
22/F, Great Eagle Centre,
23 Harbour Road,
Wanchai, Hong Kong



- [11] 2118462.3M003
[15] 05-08-2021
[30] 02-07-2021 / CH, GB, EU, JP, KR / WIPO106419
[51] Cl. 11-01
[54] 耳環
Earring
[73] Buccellati Holding Italia S.p.A.
Via Brisa 5,
I-20123 Milano,
Italy
[74] CHINA PATENT AGENT (HONG KONG) LIMITED
22/F, Great Eagle Centre,
23 Harbour Road,
Wanchai, Hong Kong



-
- [11] 2118468.6M001
[15] 05-08-2021
[30] 25-02-2021 / CA, AZ, LI, MC, MA, RU, SG, CH, TR, GB, VN, EU,
JP, KR / DM/213 814
[51] Cl. 11-01
[54] 項鍊
Necklace
[73] Bulgari S.p.A.
11 Lungotevere Marzio,
00186 Rome,
Italy
[74] ATL LAW OFFICES
16/F., China Hong Kong Tower,
8-12 Hennessy Road,
Wanchai, Hong Kong



[11] 2118468.6M002

[15] 05-08-2021

[30] 25-02-2021 / CA, AZ, LI, MC, MA, RU, SG, CH, TR, GB, VN, EU,
JP, KR / DM/213 814

[51] Cl. 11-01

[54] 耳環

Earrings

[73] Bulgari S.p.A.

11 Lungotevere Marzio,

00186 Rome,

Italy

[74] ATL LAW OFFICES

16/F., China Hong Kong Tower,

8-12 Hennessy Road,

Wanchai, Hong Kong



[11] 2118469.8

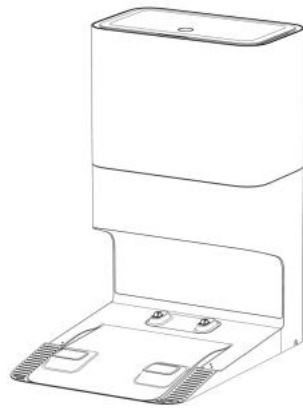
[15] 05-08-2021

[51] Cl. 29-02

- [54] 防護口罩
Protective face mask
- [73] 廣州生存者體育用品有限公司
中國內地
廣州市花都區獅嶺鎮聯合村
葛崗流溪河南街 3 號
- [74] 港智國際知識產權代理有限公司
香港上環
德輔道中 272-284 號
興業商業中心 5 樓 505 室



-
- [11] 2118471.2
- [15] 06-08-2021
- [30] 07-02-2021 / CN / 202130093201.1
- [51] C1. 15-05
- [54] 清潔機器人基站
Base station for cleaning robot
- [73] 北京小米移動軟件有限公司
Beijing Xiaomi Mobile Software Co., Ltd.
中國內地
北京市海澱區西二旗中路 33 號院
6 號樓 8 層 018 號
- [74] 隆天專利商標代理有限公司
香港九龍
長沙灣青山道 485 號
九龍廣場 10 樓 11 室



[11] 2118472.4

[15] 06-08-2021

[51] Cl. 11-01

[54] 戒指
Ring

[73] 周生生珠寶金行有限公司

Chow Sang Sang Jewellery Company Limited
4/F., Chow Sang Sang Building,
229 Nathan Road,
Kowloon, Hong Kong

[74] HONG KONG INTELLECTUAL PROPERTY AGENT LIMITED

Unit 230, 2/F, Building 12W,
No. 12 Science Park West Avenue,
Phase 3, Hong Kong Science Park,
Pak Shek Kok, N.T., Hong Kong



[11] 2118475.1

[15] 06-08-2021

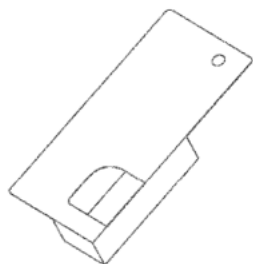
[30] 19-02-2021 / JP / 003579 of 2021

[51] Cl. 9-03

[54] 包裝用容器
Packaging container

[73] 小林製藥株式會社
KOBAYASHI PHARMACEUTICAL CO., LTD.
4-10, Doshomachi 4-chome,
Chuo-ku, Osaka 541-0045,
Japan

[74] SIMONE INTELLECTUAL PROPERTY SERVICES ASIA LIMITED
25th Floor,
3 Lockhart Road,
Wanchai, Hong Kong



[11] 2118476.3M001

[15] 06-08-2021

[30] 17-02-2021 / EU / 008436406-0010

[51] Cl. 12-16

[54] 汽車車身零件
Body part for vehicles

[73] Dr. Ing. h.c. F. Porsche Aktiengesellschaft
Porscheplatz 1,
70435 Stuttgart,
Germany

[74] WENPING PATENT & TRADE MARK AGENT LIMITED
1701 Tung Wai Commercial Building,
111 Gloucester Road,
Hong Kong



- [11] 2118476.3M002
[15] 06-08-2021
[30] 17-02-2021 / EU / 008436406-0011
[51] Cl. 12-16
[54] 汽車車身零件
Body part for vehicles
[73] Dr. Ing. h.c. F. Porsche Aktiengesellschaft
Porscheplatz 1,
70435 Stuttgart,
Germany
[74] WENPING PATENT & TRADE MARK AGENT LIMITED
1701 Tung Wai Commercial Building,
111 Gloucester Road,
Hong Kong



-
- [11] 2118476.3M003
[15] 06-08-2021
[30] 17-02-2021 / EU / 008436406-0012
[51] Cl. 12-16
[54] 汽車車身零件
Body part for vehicles
[73] Dr. Ing. h.c. F. Porsche Aktiengesellschaft
Porscheplatz 1,
70435 Stuttgart,
Germany
[74] WENPING PATENT & TRADE MARK AGENT LIMITED
1701 Tung Wai Commercial Building,
111 Gloucester Road,
Hong Kong



[11] 2118476.3M004

[15] 06-08-2021

[30] 17-02-2021 / EU / 008436406-0013

[51] Cl. 12-16

[54] 汽車車身零件

Body part for vehicles

[73] Dr. Ing. h.c. F. Porsche Aktiengesellschaft

Porscheplatz 1,

70435 Stuttgart,

Germany

[74] WENPING PATENT & TRADE MARK AGENT LIMITED

1701 Tung Wai Commercial Building,

111 Gloucester Road,

Hong Kong



[11] 2118476.3M005

[15] 06-08-2021

[30] 17-02-2021 / EU / 008436406-0014

[51] Cl. 12-16

[54] 汽車車身零件

Body part for vehicles

[73] Dr. Ing. h.c. F. Porsche Aktiengesellschaft

Porscheplatz 1,

70435 Stuttgart,

Germany

[74] WENPING PATENT & TRADE MARK AGENT LIMITED
1701 Tung Wai Commercial Building,
111 Gloucester Road,
Hong Kong



[11] 2118476.3M006

[15] 06-08-2021

[30] 17-02-2021 / EU / 008436406-0015

[51] Cl. 12-16

[54] 汽車車身零件

Body part for vehicles

[73] Dr. Ing. h.c. F. Porsche Aktiengesellschaft
Porscheplatz 1,
70435 Stuttgart,
Germany

[74] WENPING PATENT & TRADE MARK AGENT LIMITED
1701 Tung Wai Commercial Building,
111 Gloucester Road,
Hong Kong



[11] 2118476.3M007

[15] 06-08-2021

[30] 17-02-2021 / EU / 008436406-0016

[51] Cl. 12-16

[54] 汽車車身零件

Body part for vehicles

[73] Dr. Ing. h.c. F. Porsche Aktiengesellschaft

Porscheplatz 1,
70435 Stuttgart,
Germany

[74] WENPING PATENT & TRADE MARK AGENT LIMITED

1701 Tung Wai Commercial Building,
111 Gloucester Road,
Hong Kong



[11] 2118476.3M008

[15] 06-08-2021

[30] 17-02-2021 / EU / 008436406-0017

[51] Cl. 12-16

[54] 汽車車身零件

Body part for vehicles

[73] Dr. Ing. h.c. F. Porsche Aktiengesellschaft

Porscheplatz 1,
70435 Stuttgart,
Germany

[74] WENPING PATENT & TRADE MARK AGENT LIMITED

1701 Tung Wai Commercial Building,
111 Gloucester Road,
Hong Kong



[11] 2118476.3M009

- [15] 06-08-2021
- [30] 17-02-2021 / EU / 008436406-0018
- [51] Cl. 12-16
- [54] 汽車車身零件
Body part for vehicles
- [73] Dr. Ing. h.c. F. Porsche Aktiengesellschaft
Porscheplatz 1,
70435 Stuttgart,
Germany
- [74] WENPING PATENT & TRADE MARK AGENT LIMITED
1701 Tung Wai Commercial Building,
111 Gloucester Road,
Hong Kong



-
- [11] 2118476.3M010
- [15] 06-08-2021
- [30] 17-02-2021 / EU / 008436406-0019
- [51] Cl. 12-16
- [54] 汽車車身零件
Body part for vehicles
- [73] Dr. Ing. h.c. F. Porsche Aktiengesellschaft
Porscheplatz 1,
70435 Stuttgart,
Germany
- [74] WENPING PATENT & TRADE MARK AGENT LIMITED
1701 Tung Wai Commercial Building,
111 Gloucester Road,
Hong Kong



[11] 2118476.3M011

[15] 06-08-2021

[30] 17-02-2021 / EU / 008436406-0020

[51] Cl. 12-16

[54] 汽車車身零件

Body part for vehicles

[73] Dr. Ing. h.c. F. Porsche Aktiengesellschaft

Porscheplatz 1,

70435 Stuttgart,

Germany

[74] WENPING PATENT & TRADE MARK AGENT LIMITED

1701 Tung Wai Commercial Building,

111 Gloucester Road,

Hong Kong



[11] 2118476.3M012

[15] 06-08-2021

[30] 17-02-2021 / EU / 008436406-0021

[51] Cl. 12-16

[54] 汽車車身零件

Body part for vehicles

[73] Dr. Ing. h.c. F. Porsche Aktiengesellschaft

Porscheplatz 1,

70435 Stuttgart,
Germany

[74] WENPING PATENT & TRADE MARK AGENT LIMITED
1701 Tung Wai Commercial Building,
111 Gloucester Road,
Hong Kong



[11] 2118476.3M013

[15] 06-08-2021

[30] 17-02-2021 / EU / 008436406-0022

[51] Cl. 12-16

[54] 汽車車身零件

Body part for vehicles

[73] Dr. Ing. h.c. F. Porsche Aktiengesellschaft
Porscheplatz 1,
70435 Stuttgart,
Germany

[74] WENPING PATENT & TRADE MARK AGENT LIMITED
1701 Tung Wai Commercial Building,
111 Gloucester Road,
Hong Kong



[11] 2118476.3M014

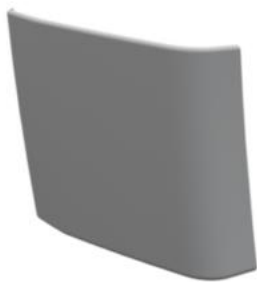
[15] 06-08-2021

[30] 17-02-2021 / EU / 008436406-0023

- [51] Cl. 12-16
- [54] 汽車車身零件
Body part for vehicles
- [73] Dr. Ing. h.c. F. Porsche Aktiengesellschaft
Porscheplatz 1,
70435 Stuttgart,
Germany
- [74] WENPING PATENT & TRADE MARK AGENT LIMITED
1701 Tung Wai Commercial Building,
111 Gloucester Road,
Hong Kong



-
- [11] 2118476.3M015
- [15] 06-08-2021
- [30] 17-02-2021 / EU / 008436406-0024
- [51] Cl. 12-16
- [54] 汽車車身零件
Body part for vehicles
- [73] Dr. Ing. h.c. F. Porsche Aktiengesellschaft
Porscheplatz 1,
70435 Stuttgart,
Germany
- [74] WENPING PATENT & TRADE MARK AGENT LIMITED
1701 Tung Wai Commercial Building,
111 Gloucester Road,
Hong Kong



[11] 2118476.3M016

[15] 06-08-2021

[30] 17-02-2021 / EU / 008436406-0025

[51] Cl. 12-16

[54] 汽車車身零件

Body part for vehicles

[73] Dr. Ing. h.c. F. Porsche Aktiengesellschaft

Porscheplatz 1,

70435 Stuttgart,

Germany

[74] WENPING PATENT & TRADE MARK AGENT LIMITED

1701 Tung Wai Commercial Building,

111 Gloucester Road,

Hong Kong



[11] 2118476.3M017

[15] 06-08-2021

[30] 17-02-2021 / EU / 008436406-0026

[51] Cl. 12-16

[54] 汽車車身零件

Body part for vehicles

[73] Dr. Ing. h.c. F. Porsche Aktiengesellschaft
Porscheplatz 1,
70435 Stuttgart,
Germany

[74] WENPING PATENT & TRADE MARK AGENT LIMITED
1701 Tung Wai Commercial Building,
111 Gloucester Road,
Hong Kong



[11] 2118477.5

[15] 07-08-2021

[30] 24-02-2021 / CN / 202130105217.X

[51] Cl. 10-05

[54] 高級駕駛輔助系統標定與四輪定位校準裝置

Apparatus for calibration of advanced driver assistance system
and correction of four-wheel alignment

[73] 深圳市道通科技股份有限公司

中國內地

廣東省深圳市南山區

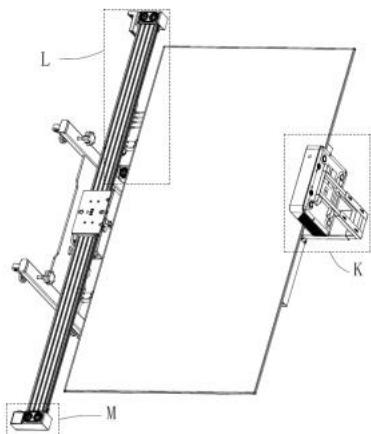
南山智園 B1 棟 6、7、8、10 層

[74] 百睿知識產權有限公司

香港新界

沙田香港科學園

科技大道西 10 號浚湖樓 617 室



[11] 2118478.7

[15] 09-08-2021

[51] Cl. 9-05

[54] 泡罩包裝物

Bubble cap tray

[73] 八百長春生技有限公司

EIGHT HUNDRED CHANGCHUN BIOTECH LTD.

No. 107-33, WUGU Village,

Gongguan Township, Miaoli County,

Taiwan

[74] JEAC I.P. AGENT COMPANY

Rm. 1905 Nan Fung Centre,

264-298 Castle Peak Road,

Tsuen Wan, Hong Kong



[11] 2118479.9

[15] 09-08-2021

[51] Cl. 9-05

[54] 圓形球膠囊

Round capsule

[73] 八百長春生技有限公司

EIGHT HUNDRED CHANGCHUN BIOTECH LTD.

No. 107-33, WUGU Village,

Gongguan Township, Miaoli County,

Taiwan

[74] JEAC I.P. AGENT COMPANY

Rm. 1905, Nan Fung Centre,

264-298 Castle Peak Road,

Tsuen Wan, Hong Kong



[11] 2118489.0

[15] 10-08-2021

[51] Cl. 7-01

[54] 帶耳圓盒

Round box with handles

[73] 惠州市冠展實業有限公司

中國內地

廣東省惠州市仲愷高新區惠環街道

西坑工業區 38 號 1、2 號廠房

[74] 卓遠知識產權有限公司

香港上環

禧利街 27 號

富輝商業中心 10 樓



[11] 2118490.2

[15] 10-08-2021

[51] Cl. 14-01

[54] 耳機

Audio headset

[73] 一兆聲學科技(深圳)有限公司

中國內地

深圳市寶安區航城街道草圍社區寶安大道 5010 號

深圳多彩匯威文化創意博覽城 T3 創意大廈 6 層 609-610 號

[74] 滙誠知識產權有限公司

香港灣仔

軒尼詩道 8-12 號

中港大廈 8 樓



[11] 2118491.4M001

[15] 10-08-2021

[30] 05-03-2021 / CA, AM, AZ, BZ, BA, GE, LI, MK, MD, MC, MN, ME, MA, NO, OM, SG, CH, TN, TR, UA, GB, EU, AL, KG / DM/213 318

[51] Cl. 11-01

[54] 耳環

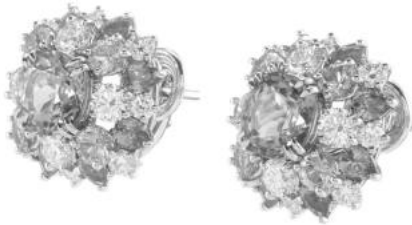
Earrings

[73] Harry Winston SA

Chemin du Tourbillon 8,

CH-1228 Plan-les-Ouates,
Switzerland

- [74] SPRUSON & FERGUSON (HONG KONG) LIMITED
5001 Hopewell Centre,
183 Queen's Road East,
Wan Chai, Hong Kong



-
- [11] 2118491.4M002

- [15] 10-08-2021

- [30] 05-03-2021 / CA, AM, AZ, BZ, BA, GE, LI, MK, MD, MC, MN, ME,
MA, NO, OM, SG, CH, TN, TR, UA, GB, EU, AL, KG / DM/213 318

- [51] Cl. 11-01

- [54] 耳環

Earrings

- [73] Harry Winston SA
Chemin du Tourbillon 8,
CH-1228 Plan-les-Ouates,
Switzerland

- [74] SPRUSON & FERGUSON (HONG KONG) LIMITED
5001 Hopewell Centre,
183 Queen's Road East,
Wan Chai, Hong Kong



[11] 2118491.4M003

[15] 10-08-2021

[30] 05-03-2021 / CA, AM, AZ, BZ, BA, GE, LI, MK, MD, MC, MN, ME, MA, NO, OM, SG, CH, TN, TR, UA, GB, EU, AL, KG / DM/213 318

[51] Cl. 11-01

[54] 指環
Ring

[73] Harry Winston SA
Chemin du Tourbillon 8,
CH-1228 Plan-les-Ouates,
Switzerland

[74] SPRUSON & FERGUSON (HONG KONG) LIMITED
5001 Hopewell Centre,
183 Queen's Road East,
Wan Chai, Hong Kong



[11] 2118491.4M004

[15] 10-08-2021

[30] 05-03-2021 / CA, AM, AZ, BZ, BA, GE, LI, MK, MD, MC, MN, ME, MA, NO, OM, SG, CH, TN, TR, UA, GB, EU, AL, KG / DM/213 318

[51] Cl. 11-01

[54] 項鍊
Necklace

[73] Harry Winston SA
Chemin du Tourbillon 8,
CH-1228 Plan-les-Ouates,
Switzerland

[74] SPRUSON & FERGUSON (HONG KONG) LIMITED
5001 Hopewell Centre,
183 Queen's Road East,
Wan Chai, Hong Kong



[11] 2118491.4M005

[15] 10-08-2021

[30] 05-03-2021 / CA, AM, AZ, BZ, BA, GE, LI, MK, MD, MC, MN, ME, MA, NO, OM, SG, CH, TN, TR, UA, GB, EU, AL, KG / DM/213 318

[51] Cl. 11-01

[54] 指環
Ring

[73] Harry Winston SA
Chemin du Tourbillon 8,
CH-1228 Plan-les-Ouates,
Switzerland

[74] SPRUSON & FERGUSON (HONG KONG) LIMITED
5001 Hopewell Centre,
183 Queen's Road East,
Wan Chai, Hong Kong



[11] 2118491.4M006

[15] 10-08-2021

[30] 05-03-2021 / CA, AM, AZ, BZ, BA, GE, LI, MK, MD, MC, MN, ME, MA, NO, OM, SG, CH, TN, TR, UA, GB, EU, AL, KG / DM/213 318

[51] Cl. 11-01

[54] 耳環

Earrings

[73] Harry Winston SA

Chemin du Tourbillon 8,
CH-1228 Plan-les-Ouates,
Switzerland

[74] SPRUSON & FERGUSON (HONG KONG) LIMITED

5001 Hopewell Centre,
183 Queen's Road East,
Wan Chai, Hong Kong



[11] 2118495.3

[15] 11-08-2021

[51] Cl. 13-02

[54] 充電座

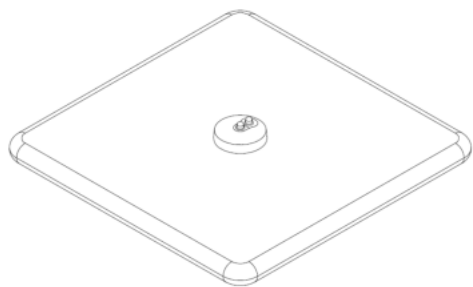
Charging dock

[73] 盛開蓮花有限公司

Bloomy Lotus Ltd
Unit 4711, 47/F., The Center,
99 Queen's Road Central,
Central, Hong Kong

[74] FEDERATION OF HONG KONG INDUSTRIES

31/F, Billion Plaza,
8 Cheung Yue Street,
Cheung Sha Wan, Kowloon, Hong Kong



[11] 2118497.7

[15] 12-08-2021

[51] Cl. 11-01

[54] 飾物設計

Ornament design

[73] 六福集團有限公司

Luk Fook Holdings Company Limited

Floor 15, 20, 25 & 27, Metropole Square,

No.2 On Yiu Street,

Shatin, New Territories, Hong Kong

[74] Luk Fook Holdings Company Limited (Legal Affairs Department)

Floor 25, Metropole Square,

No.2 On Yiu Street,

Shatin, New Territories, Hong Kong



[11] 2118499.1M001

[15] 12-08-2021

[30] 06-05-2021 / BR / BR302021001996-5

[51] Cl. 2-04

[54] 涼鞋

Sandal

[73] Alpargatas S.A.

Avenida das Nações Unidas, n° 14261,

Ala A-9° ao 11° andar, São Paulo, 04794-000,

Brazil

- [74] SIMMONS & SIMMONS
30th Floor, One Taikoo Place,
979 King's Road,
Hong Kong



-
- [11] 2118499.1M002
[15] 12-08-2021
[30] 06-05-2021 / BR / BR302021001996-5
[51] Cl. 2-04
[54] 涼鞋
Sandal
[73] Alpargatas S.A.
Avenida das Nações Unidas, nº 14261,
Ala A-9º ao 11º andar, São Paulo, 04794-000,
Brazil
[74] SIMMONS & SIMMONS
30th Floor, One Taikoo Place,
979 King's Road,
Hong Kong



-
- [11] 2118500.6

[15] 13-08-2021

[51] Cl. 9-03

[54] 包裝盒

Packaging box

[73] 鴻運貿易（國際）有限公司

HUNG WIN TRADING COMPANY LIMITED

香港葵涌

打磚坪街 44-52 號

達明工業大廈 5 樓 A, A2, A3, A4, A5 室

[74] 鴻運貿易（國際）有限公司 (HUNG WIN TRADING COMPANY LIMITED)

香港葵涌

打磚坪街 44-52 號

達明工業大廈 5 樓 A, A2, A3, A4, A5 室



[11] 2118502.0

[15] 13-08-2021

[30] 17-02-2021 / AU / 202110859

[51] Cl. 23-04

[54] 吸頂式空氣淨化器

Ceiling mounted air purifier

[73] Beacon Lighting International Limited

Suite 01, 66/F, The Center,

99 Queens Road,

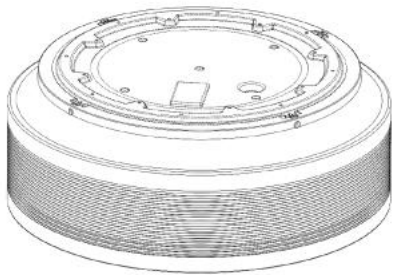
Central, Hong Kong

[74] ZHONGYI UNION IP INTERNATIONAL COMPANY LIMITED

Room 803, Chevalier House,

45-51 Chatham Road South,

Tsim Sha Tsui, Kowloon, Hong Kong



[11] 2118506.9

[15] 13-08-2021

[30] 22-03-2021 / EU / 008470975

[51] Cl. 3-01

[54] 公文包

Briefcase

[73] Rimowa GmbH

Richard-Byrd-Str. 13,

50829 Cologne,

Germany

[74] ROBIN BRIDGE & JOHN LIU

6th Floor, Emperor Commercial Centre,

39 Des Voeux Road Central,

Hong Kong



[11] 2118508.3M001

[15] 16-08-2021

[30] 11-03-2021 / CA, AM, AZ, BZ, BA, GE, LI, MK, MD, MC, MN, ME,
MA, NO, OM, SG, CH, TN, TR, UA, GB, EU, AL, KG / DM/213 220

[51] Cl. 11-01

[54] 耳環

Earrings

[73] Harry Winston SA

Chemin du Tourbillon 8,
CH-1228 Plan-les-Ouates,
Switzerland

[74] SPRUSON & FERGUSON (HONG KONG) LIMITED

5001 Hopewell Centre,
183 Queen's Road East,
Wan Chai, Hong Kong



[11] 2118508.3M002

[15] 16-08-2021

[30] 11-03-2021 / CA, AM, AZ, BZ, BA, GE, LI, MK, MD, MC, MN, ME,
MA, NO, OM, SG, CH, TN, TR, UA, GB, EU, AL, KG / DM/213 220

[51] Cl. 11-01

[54] 耳環

Earrings

[73] Harry Winston SA

Chemin du Tourbillon 8,
CH-1228 Plan-les-Ouates,
Switzerland

[74] SPRUSON & FERGUSON (HONG KONG) LIMITED

5001 Hopewell Centre,
183 Queen's Road East,
Wan Chai, Hong Kong



[11] 2118591.7M001

[15] 31-08-2021

[51] Cl. 11-01

[54] 戒指
Ring

[73] 吳子康

Ng Tsz Hong

香港九龍

荔枝角青山道 489-491 號

香港工業中心 C 座 1 樓 C13A 室

[74] 吳子康

香港九龍

荔枝角青山道 489-491 號

香港工業中心 C 座 1 樓 C13A 室



[11] 2118591.7M002

[15] 31-08-2021

[51] Cl. 11-01

[54] 戒指
Ring

[73] 吳子康

Ng Tsz Hong

香港九龍

荔枝角青山道 489-491 號

香港工業中心 C 座 1 樓 C13A 室

[74] 吳子康

香港九龍

荔枝角青山道 489-491 號

香港工業中心 C 座 1 樓 C13A 室



[11] 2118591.7M003

[15] 31-08-2021

[51] Cl. 11-01

[54] 戒指
Ring

[73] 吳子康

Ng Tsz Hong

香港九龍

荔枝角青山道 489-491 號

香港工業中心 C 座 1 樓 C13A 室

[74] 吳子康

香港九龍

荔枝角青山道 489-491 號

香港工業中心 C 座 1 樓 C13A 室



[11] 2118593.1M001

[15] 31-08-2021

[30] 25-03-2021 / CH / 145878

[51] Cl. 10-07

[54] 錶殼

Watch case

[73] Montres Tudor SA

3, rue François-Dussaud,

1211 Genève 26,

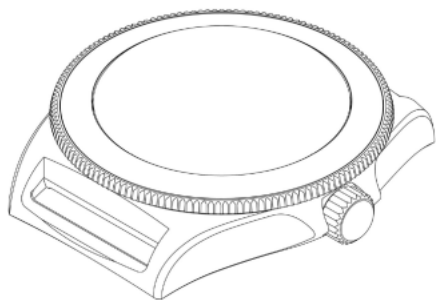
Switzerland

[74] DEACONS

5th Floor, Alexandra House,

Central,

Hong Kong



[11] 2118593.1M002

[15] 31-08-2021

[30] 25-03-2021 / CH / 145878

[51] Cl. 10-07

[54] 錶蓋環

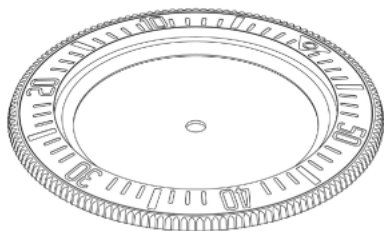
Bezel for watch

[73] Montres Tudor SA

3, rue François-Dussaud,
1211 Genève 26,
Switzerland

[74] DEACONS

5th Floor, Alexandra House,
Central,
Hong Kong



[11] 2118594.3M001

[15] 31-08-2021

[30] 26-03-2021 / CH / 145879

[51] Cl. 10-07

[54] 手錶帶用釦子

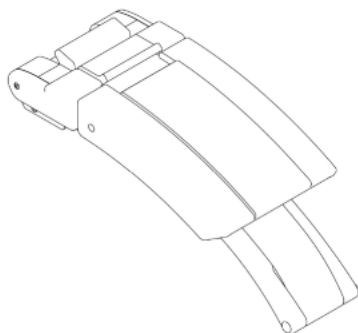
Clasp for watch bracelets

[73] Montres Tudor SA

3, rue François-Dussaud,
1211 Genève 26,
Switzerland

[74] DEACONS

5th Floor, Alexandra House,
Central,
Hong Kong



[11] 2118594.3M002

[15] 31-08-2021

[30] 26-03-2021 / CH / 145879

[51] Cl. 10-07

[54] 手錶帶用釦子

Clasp for watch bracelets

[73] Montres Tudor SA

3, rue François-Dussaud,

1211 Genève 26,

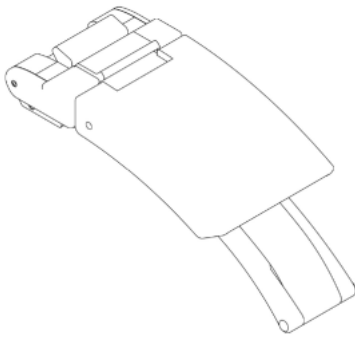
Switzerland

[74] DEACONS

5th Floor, Alexandra House,

Central,

Hong Kong



[11] 2118599.4M001

[15] 01-09-2021

[30] 10-03-2021 / CA, EG, MX, MC, MA, NO, RU, SG, CH, TN, TR, UA,
GB, US, EU, JP, KR / DM/213 204

[51] Cl. 2-04

[54] 運動鞋

Sport shoe

[73] HERMES SELLIER

24, Rue du Faubourg Saint-Honoré,

75008 Paris,

France

[74] DEACONS

5th Floor, Alexandra House,

Central,

Hong Kong



[11] 2118599.4M002

[15] 01-09-2021

[30] 10-03-2021 / VN / DM/213 174

[51] Cl. 2-04

[54] 運動鞋

Sport shoe

[73] HERMES SELLIER

24, Rue du Faubourg Saint-Honoré,

75008 Paris,

France

[74] DEACONS

5th Floor, Alexandra House,

Central,

Hong Kong



[11] 2118614.7M001

[15] 03-09-2021

[51] Cl. 14-06

[54] 支架

Holder

[73] 思奧有限公司

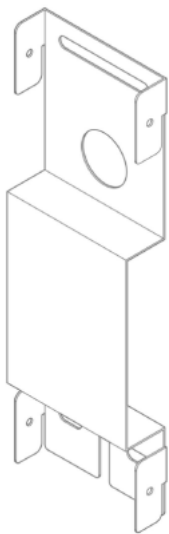
Softhard.IO Limited

Smart-Space 3F, Level 9, Cyberport 3, Core F,

100 Cyberport Road,

Hong Kong

- [74] ELLALAN
26th and 28th Floors, The Hennessy,
256 Hennessy Road,
Wanchai, Hong Kong



[11] 2118614.7M002

[15] 03-09-2021

[51] Cl. 14-06

[54] 支架
Holder

[73] 思奧有限公司
Softward.IO Limited
Smart-Space 3F, Level 9, Cyberport 3, Core F,
100 Cyberport Road,
Hong Kong

[74] ELLALAN
26th and 28th Floors, The Hennessy,
256 Hennessy Road,
Wanchai, Hong Kong





香港特別行政區政府知識產權署外觀設計註冊處

The Government of the Hong Kong Special Administrative Region

Designs Registry, Intellectual Property Department

根據註冊外觀設計條例第 28 條，下列註冊外觀設計因未繳續期費而停止有效。

各組記項按註冊外觀設計停止有效日期及註冊編號先後次序排列。

Registered designs ceased through non-payment of renewal fees under section 28 of the Registered Designs Ordinance. Entries are listed below under their expiry dates.

10-09-2021 - 14-09-2021

10-09-2021 1601764.8M006

0602365.1 1601764.8M007

1601764.8M008

11-09-2021 1601764.8M009

0111357.0 1601764.8M010

0111358.2 1601765.1

0111359.4 1601766.3

0111360.6 1601767.5

0111361.8 1601769.9

0602370.1M002 1601771.3M001

1601741.0 1601771.3M002

1601742.2M001

1601742.2M002

14-09-2021

1601744.6M001 0602409.5

1601744.6M002 1101580.3

1601744.6M003 1601774.9M001

1601744.6M004 1601774.9M002

1601750.9 1601776.4M002

1601776.4M003

12-09-2021 1601779.0

1601752.3

13-09-2021

0602384.0M001

0602384.0M002

0602405.7

0602406.9M002

0602406.9M003

1101570.2

1601764.8M001

1601764.8M002

1601764.8M003

1601764.8M004

1601764.8M005



香港特別行政區政府知識產權署外觀設計註冊處

The Government of the Hong Kong Special Administrative Region

Designs Registry, Intellectual Property Department

根據註冊外觀設計規則第 31 條刪除的註冊外觀設計。各組記項按註冊外觀設計刪除日期及註冊編號先後次序排列。

Registered designs removed under section 31 of the Registered Designs Rules. Entries are listed below under their removal dates.

08-10-2021 - 14-10-2021

08-10-2021	0110366.8	0600642.7
1100406.4M003		1100437.9
1100406.4M004	11-10-2021	1600453.7
1100406.4M005	0110368.2	1600454.9
1100406.4M006		1600455.2
1100406.4M008	12-10-2021	1600457.6M001
1100406.4M009	0600610.0	1600457.6M002
1100406.4M010	1600431.1	1600461.4M001
1100406.4M011	1600432.3	1600461.4M002
1100406.4M012	1600435.0	
1600396.6	1600436.2M001	
1600402.0	1600436.2M002	
1600407.1	1600436.2M003	
1600415.8	1600436.2M004	

09-10-2021

1100419.1
1600411.9M001
1600411.9M002
1600411.9M003
1600411.9M004
1600413.3
1600414.5
1600417.2
1600422.2M001
1600422.2M002
1600422.2M003
1600422.2M004
1600424.6
1600427.3
1600430.9

13-10-2021

0600616.3
0600617.5M001
0600617.5M002
0600617.5M003
1600438.6M003
1600438.6M004
1600438.6M006
1600439.8
1600440.0
1600441.2M001
1600441.2M002
1600441.2M003
1600441.2M004
1600442.4
1600444.8
1600446.3

10-10-2021

0110365.6

14-10-2021



香港特別行政區政府知識產權署外觀設計註冊處

The Government of the Hong Kong Special Administrative Region

Designs Registry, Intellectual Property Department

根據註冊外觀設計條例第 67 及 76 條，更正註冊紀錄冊內及已提交文件中的錯誤

Correction of Errors in Register and in Filed Documents under sections 67 and 76 of the Registered Designs Ordinance

任何人士現可對下列更正錯誤的請求提出反對

Requests for correction of errors now open to opposition

如任何人士意欲反對下列請求，則須在本官方公報刊登是項更正請求的日期起計的兩個月內，根據註冊外觀設計規則第 51(3) 及 62(4) 條，採用指明外觀設計表格第 D9 號提交反對通知。如在限期內沒有收到任何反對通知，處長將依本公報刊登的更正請求的內容，准許是項更正請求。

If any person wishes to oppose the following request, he shall file a notice of opposition in specified Designs Form D9 within two months from the date of advertisement in this official journal under sections 51(3) and 62(4) of the Registered Designs Rules. If no notice of opposition is received, the requests for correction will be allowed by the Registrar in the present advertised form.

請求更正外觀設計的表述的錯誤

Request made for correction of the representations of the design

[11] 2118147.6



BOTTOM PLAN VIEW

[55] TOP PLAN VIEW

BOTTOM PLAN VIEW