

香港知識產權公報

Hong Kong Intellectual Property Journal

2019年11月29日

29 November 2019



目錄

Contents

根據註冊外觀設計條例第 25 條註冊的外觀設計

Designs Registered under section 25 of the Registered Designs Ordinance

按註冊編號排列

Arranged by Registration Number

根據註冊外觀設計條例(第 522 章)公布的其他公告

Other Notices Published under the Registered Designs Ordinance (Cap. 522)

根據註冊外觀設計條例第 28 條, 註冊外觀設計因未繳續期費而停止有效

Registered designs ceased through non-payment of renewal fees under section 28 of the Registered Designs Ordinance

根據註冊外觀設計規則第 31 條刪除的註冊外觀設計

Registered designs removed under section 31 of the Registered Designs Rules

以下事項沒有記錄

No Records for the Following Matters

根據註冊外觀設計條例第 30 條放棄的外觀設計的註冊

Surrender of Registration of Design under section 30 of the Registered Designs Ordinance

根據註冊外觀設計規則第 37 條, 向處長作出轉介

Reference to Registrar under section 37 of the Registered Designs Rules

根據註冊外觀設計條例第 45 條, 撤銷註冊

Revocation of Registration under section 45 of the Registered Designs Ordinance

根據註冊外觀設計規則第 46 條，向法院作出轉介
Reference to Court under section 46 of the Registered Designs Rules

根據註冊外觀設計規則第 63 條對不符合規定之處作出糾正
Rectification of Irregularities under section 63 of the Registered Designs Rules

根據註冊外觀設計條例第 66 條，糾正註冊紀錄冊
Rectification of Register under section 66 of the Registered Designs Ordinance

根據註冊外觀設計條例第 67 條，更正註冊紀錄冊內的錯誤
Correction of Errors in Register under section 67 of the Registered Designs Ordinance

根據註冊外觀設計條例第 67 及 76 條，更正註冊紀錄冊內及已提交文件中的錯誤
Correction of Errors in Register and in Filed Documents under sections
67 and 76 of the Registered Designs Ordinance

根據註冊外觀設計條例第 76 條，更正已提交文件中的錯誤
Correction of Errors in Filed Documents under section 76 of the Registered Designs
Ordinance

勘誤
Corrigendum

註冊外觀設計公告註釋

Notes on advertisements of registration of designs

方括號表示下列資料：

Square brackets indicate the following data：

- [11] 註冊編號 Registration number / 聯合王國註冊編號 United Kingdom registration number
- [15] 註冊日期 Registration date / 當作註冊日期 Deemed registration date / 聯合王國註冊日期 United Kingdom registration date
- [17] 註冊有效期屆滿日期 Expiry date of the period of registration
- [22] 提交日期 Filing date / 當作提交日期 Deemed filing date / 聯合王國提交日期 United Kingdom filing date
- [30] 聲稱享有的優先權（提交日期 / 巴黎公約國或世界貿易組織成員 / 申請編號） Priority claimed (filing date / Paris Convention country or WTO member / application number)
- [51] 國際外觀設計分類號（洛迦諾分類號） International Classification of designs (Locarno Classification)
- [54] 物品 Article
- [55] 外觀設計的表述 Representation of the design
- [62] 分開前的申請編號及提交日期 Application number before division and filing date
- [66] 過往註冊的聯繫外觀設計註冊編號 / 日期 Registration No. / Date of Previous Registration for Association
- [72] 設計人 Designer

[73] 擁有人姓名和地址 Name and address of the owner

[74] 代理人 Agent / 送達地址 Address for service



香港特別行政區政府知識產權署外觀設計註冊處

The Government of the Hong Kong Special Administrative Region

Designs Registry, Intellectual Property Department

根據註冊外觀設計條例第25條註冊的外觀設計

Designs registered under section 25 of the Registered Designs Ordinance

按註冊編號排列

Arranged by Registration Number

[11] 1913097.0

[15] 27-02-2019

[30] 30-08-2018 / CN / 201830485803.X

[51] Cl. 14-01

[54] 音頻播放器

Audio player

[73] SONY CORPORATION

1-7-1 KONAN, MINATO-KU,

TOKYO 108-0075, JAPAN

JAPAN

[74] UNITALEN ATTORNEYS AT LAW LIMITED

RM 1201, 12/F,

GOLDEN ERA PLAZA,

39-55 SAI YEE ST, MONGKOK KLN

HONG KONG



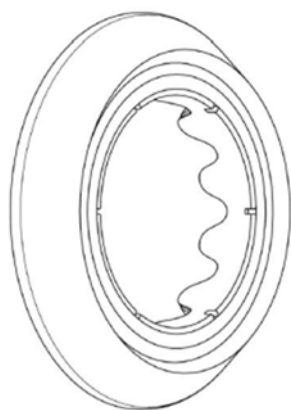
[11] 1913239.2

[15] 19-03-2019

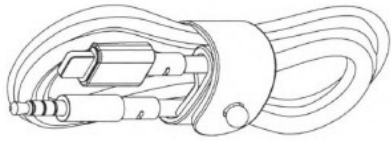
[30] 04-10-2018 / EU / 005735503-0001

[51] Cl. 28-03

- [54] 吹風機的部份
Part of hair dryers
- [73] Dyson Technology Limited
Tetbury Hill, Malmesbury, Wiltshire, SN16 0RP
UNITED KINGDOM
- [74] LIU, SHEN & ASSOCIATES
Room 3716, 37/F, Sun Hung Kai Centre,
30 Harbour Road, Wanchai,
HONG KONG



-
- [11] 1913240.4
- [15] 19-03-2019
- [51] Cl. 13-03
- [54] 1.2 米音頻傳輸線連光接頭至 3.5 毫米音頻輸入接口電線連皮帶
1.2-meter cable with Audio Lightning to 3.5-millimeter AUX
cable for with leather strap
- [73] DESIGN POOL LIMITED
2/F, Eastown Building
41 Lockhart Road, Wanchai
HONG KONG
- [74] DESIGN POOL LIMITED
2/F, Eastown Building
41 Lockhart Road, Wanchai
HONG KONG



[11] 1913248.1

[15] 19-03-2019

[30] 21-09-2018 / EU, JP, KR, SG, CH, US / DM/103673

[51] Cl. 10-02

[54] 手錶的一部分

Part of wrist-watch

[73] LA MONTRE HERMES S.A.

Erlenstrasse 31A

CH-2555 Brügg

SWITZERLAND

[74] DEACONS

5th Floor, Alexandra House

Central

HONG KONG



[11] 1913253.1M001

[15] 20-03-2019

[30] 27-09-2018 / KR / 30-2018-0044906

[51] Cl. 28-03

[54] 皮膚護理按摩器

Skin care massager

[73] 帕姆泰克化妝品有限公司

PAMTEK COSMETIC Co., Ltd.

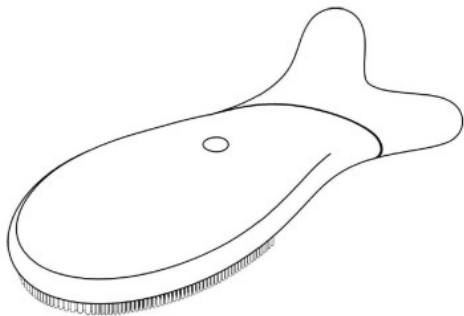
9th Fl., 26, Saimdang-ro, Seocho-gu, Seoul

KOREA, REPUBLIC OF

[74] C & H INT'L CONSULTANT LIMITED

1206, Eastern Commercial Centre, 397 Hennessy Road, Wan Chai

HONG KONG



[11] 1913253.1M002

[15] 20-03-2019

[30] 27-09-2018 / KR / 30-2018-0044902

[51] Cl. 28-03

[54] 皮膚護理按摩器

Skin care massager

[73] 帕姆泰克化妝品有限公司

PAMTEK COSMETIC Co., Ltd.

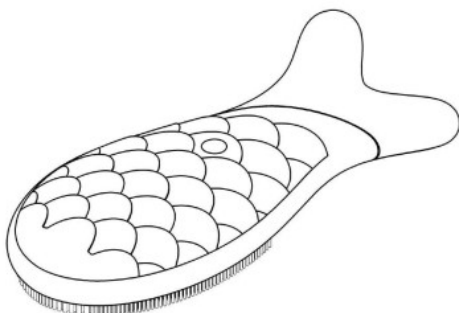
9th Fl., 26, Saimdang-ro, Seocho-gu, Seoul

KOREA, REPUBLIC OF

[74] C & H INT'L CONSULTANT LIMITED

1206, Eastern Commercial Centre, 397 Hennessy Road, Wan Chai

HONG KONG



[11] 1913260.6

[15] 21-03-2019

[51] Cl. 24-02

[54] 齶擴張器

PALATAL EXPANSION APPLIANCE

[73] 文聖喆

MOON, Sung Chul

F-2502, 56, EONJU-RO 30-GIL

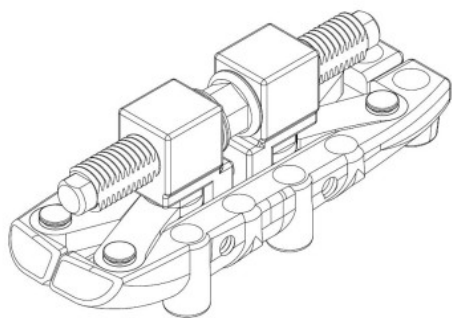
GANGNAM-GU, SEOUL 06294

KOREA, REPUBLIC OF

[74] CHINA PATENT AGENT (HONG KONG) LIMITED

22/F, Great Eagle Centre, 23 Harbour Road, Wanchai

HONG KONG



[11] 1913266.9

[15] 21-03-2019

[30] 28-09-2018 / EU, KR / DM/103381

[51] Cl. 16-06

[54] 眼鏡

Spectacles

[73] BALENCIAGA

40 rue de Sèvres

75007 Paris

FRANCE

[74] DEACONS

5th Floor, Alexandra House

Central

HONG KONG



[11] 1913269.5M001

[15] 21-03-2019

[51] Cl. 23-01

[54] 觸控式水龍頭

Touch panel control faucet

[73] 萬維達（香港）有限公司

WHC NETCONN (HONG KONG) LTD

香港

觀塘開源道 64 號 源

成中心

[74] 萬維達（香港）有限公司

香港

觀塘開源道 64 號

源成中心 6 樓 607 室



[11] 1913269.5M002

[15] 21-03-2019

[51] Cl. 23-01

[54] 觸控式水龍頭

Touch panel control faucet

[73] 萬維達（香港）有限公司

WHC NETCONN (HONG KONG) LTD

香港

觀塘開源道 64 號 源

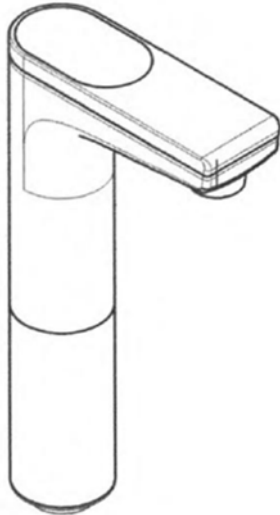
成中心

[74] 萬維達（香港）有限公司

香港

觀塘開源道 64 號

源成中心 6 樓 607 室



[11] 1913315.4M001

[15] 27-03-2019

[30] 27-09-2018 / EU / 005663523-0001

[51] Cl. 16-06

[54] 眼鏡

Glasses

[73] FRED PARIS

131 avenue Charles de Gaulle

F-92200 NEUILLY SUR SEINE

FRANCE

[74] DEACONS

5th Floor, Alexandra House

Central

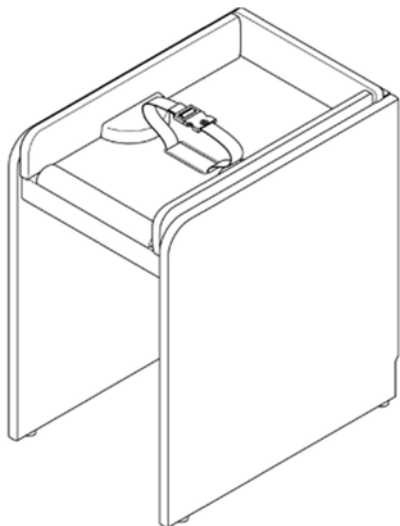
HONG KONG



- [11] 1913315.4M002
[15] 27-03-2019
[30] 27-09-2018 / EU / 005663523-0004
[51] Cl. 16-06
[54] 眼鏡
Glasses
[73] FRED PARIS
131 avenue Charles de Gaulle
F-92200 NEUILLY SUR SEINE
FRANCE
[74] DEACONS
5th Floor, Alexandra House
Central
HONG KONG



-
- [11] 1913461.2M001
[15] 16-04-2019
[30] 17-10-2018 / JP / 2018 of 022832
[51] Cl. 6-03
[54] 尿布更換台
Diaper changing station
[73] 康貝株式會社
Combi Corporation
6-7, Motoasakusa 2-chome, Taito-ku, Tokyo 111-0041
Tokyo
JAPAN
[74] WILKINSON & GRIST
6th Floor, Prince's Building
Chater Road
HONG KONG



[11] 1913461.2M002

[15] 16-04-2019

[30] 17-10-2018 / JP / 2018 of 022849

[51] Cl. 6-03

[54] 帶有架子的尿布更換台

Diaper Changing Station with Shelf

[73] 康貝株式會社

Combi Corporation

6-7, Motoasakusa 2-chome, Taito-ku, Tokyo 111-0041

Tokyo

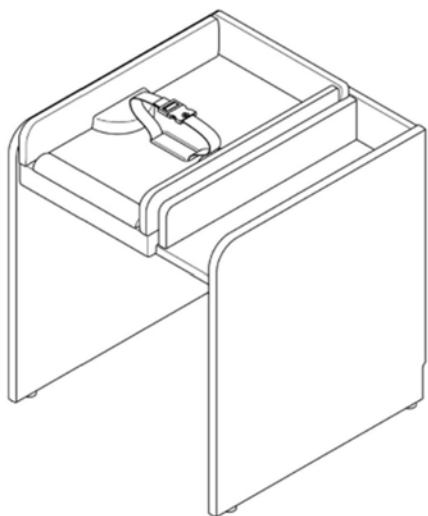
JAPAN

[74] WILKINSON & GRIST

6th Floor, Prince's Building

Chater Road

HONG KONG



[11] 1913461.2M003

[15] 16-04-2019

[30] 17-10-2018 / JP / 2018 of 022846

[51] Cl. 6-05

[54] 嬰兒護理台

Babies change unit

[73] 康貝株式會社

Combi Corporation

6-7, Motoasakusa 2-chome, Taito-ku, Tokyo 111-0041

Tokyo

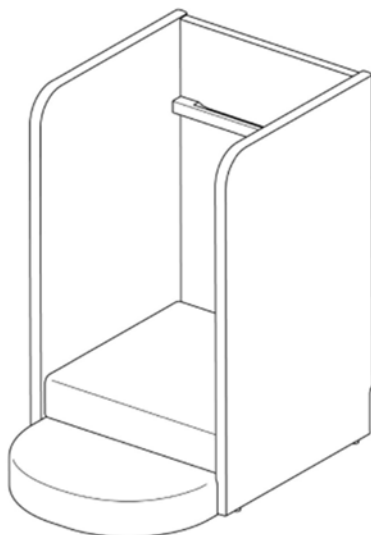
JAPAN

[74] WILKINSON & GRIST

6th Floor, Prince's Building

Chater Road

HONG KONG



[11] 1913461.2M004

[15] 16-04-2019

[30] 17-10-2018 / JP / 2018 of 022848

[51] Cl. 6-04

[54] 嬰兒車泊架

Stroller Parking

[73] 康貝株式會社

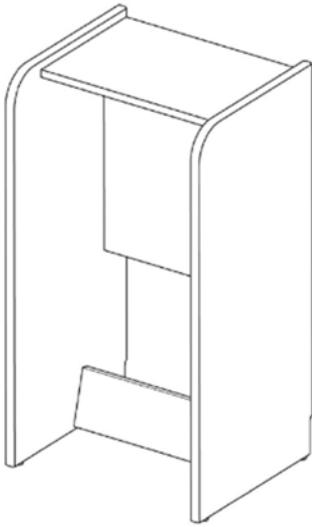
Combi Corporation

6-7, Motoasakusa 2-chome, Taito-ku, Tokyo 111-0041

Tokyo

JAPAN

[74] WILKINSON & GRIST
6th Floor, Prince's Building
Chater Road
HONG KONG



[11] 1913461.2M005

[15] 16-04-2019

[30] 17-10-2018 / JP / 2018 of 022850

[51] Cl. 6-01

[54] 椅子
Chair

[73] 康貝株式會社
Combi Corporation
6-7, Motoasakusa 2-chome, Taito-ku, Tokyo 111-0041
Tokyo
JAPAN

[74] WILKINSON & GRIST
6th Floor, Prince's Building
Chater Road
HONG KONG



[11] 1913461.2M006

[15] 16-04-2019

[30] 17-10-2018 / JP / 2018 of 022830

[51] Cl. 6-01

[54] 梳化

Sofa

[73] 康貝株式會社

Combi Corporation

6-7, Motoasakusa 2-chome, Taito-ku, Tokyo 111-0041

Tokyo

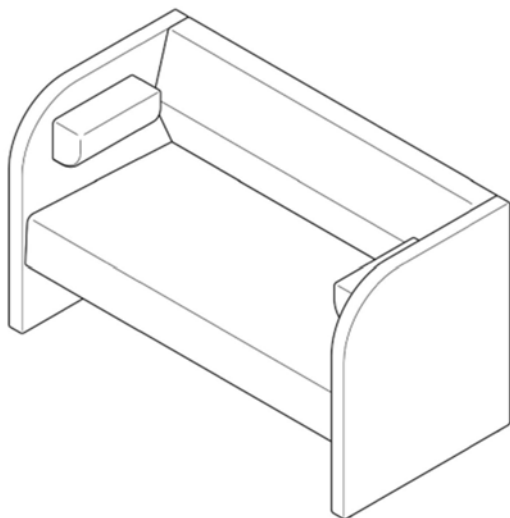
JAPAN

[74] WILKINSON & GRIST

6th Floor, Prince's Building

Chater Road

HONG KONG



[11] 1913461.2M007

[15] 16-04-2019

[30] 17-10-2018 / JP / 2018 of 022831

[51] Cl. 6-01

[54] 梳化

Sofa

[73] 康貝株式會社

Combi Corporation

6-7, Motoasakusa 2-chome, Taito-ku, Tokyo 111-0041

Tokyo

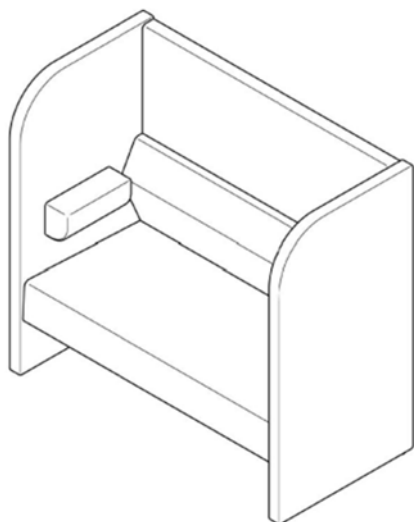
JAPAN

[74] WILKINSON & GRIST

6th Floor, Prince's Building

Chater Road

HONG KONG



[11] 1913811.6M001

[15] 03-06-2019

[30] 03-12-2018 / EU, CH, GB / DM/200670

[51] Cl. 10-07

[54] 錶殼

Watch case

[73] RICHEMONT INTERNATIONAL SA

Route des Biches 10

CH - 1752 Villars-sur-Glâne

SWITZERLAND

[74] WENPING & CO

1701 Tung Wai Commercial Building,

111 Gloucester Road,
HONG KONG



[11] 1913811.6M002

[15] 03-06-2019

[30] 03-12-2018 / EU, CH, GB / DM/200670

[51] Cl. 10-02

[54] 錶

Watch

[73] RICHEMONT INTERNATIONAL SA
Route des Biches 10
CH - 1752 Villars-sur-Glâne
SWITZERLAND

[74] WENPING & CO
1701 Tung Wai Commercial Building,
111 Gloucester Road,
HONG KONG



[11] 1913811.6M003

[15] 03-06-2019

[30] 03-12-2018 / EU, CH, GB / DM/200670

[51] Cl. 10-02

[54] 錶

Watch

[73] RICHEMONT INTERNATIONAL SA
Route des Biches 10
CH - 1752 Villars-sur-Glâne
SWITZERLAND

[74] WENPING & CO
1701 Tung Wai Commercial Building,
111 Gloucester Road,
HONG KONG



- [11] 1913811.6M004
[15] 03-06-2019
[30] 03-12-2018 / EU, CH, GB / DM/200670
[51] Cl. 10-02
[54] 錶
Watch
[73] RICHEMONT INTERNATIONAL SA
Route des Biches 10
CH - 1752 Villars-sur-Glâne
SWITZERLAND
[74] WENPING & CO
1701 Tung Wai Commercial Building,
111 Gloucester Road,
HONG KONG



-
- [11] 1913811.6M005
[15] 03-06-2019
[30] 03-12-2018 / EU, CH, GB / DM/200670
[51] Cl. 10-02
[54] 錶
Watch
[73] RICHEMONT INTERNATIONAL SA
Route des Biches 10
CH - 1752 Villars-sur-Glâne
SWITZERLAND
[74] WENPING & CO
1701 Tung Wai Commercial Building,
111 Gloucester Road,
HONG KONG



[11] 1913811.6M006

[15] 03-06-2019

[30] 03-12-2018 / EU, CH, GB / DM/200670

[51] Cl. 10-02

[54] 錶

Watch

[73] RICHEMONT INTERNATIONAL SA
Route des Biches 10
CH - 1752 Villars-sur-Glâne
SWITZERLAND

[74] WENPING & CO
1701 Tung Wai Commercial Building,
111 Gloucester Road,
HONG KONG



- [11] 1913811.6M007
[15] 03-06-2019
[30] 03-12-2018 / EU, CH, GB / DM/200670
[51] Cl. 10-02
[54] 錶
Watch
[73] RICHEMONT INTERNATIONAL SA
Route des Biches 10
CH - 1752 Villars-sur-Glâne
SWITZERLAND
[74] WENPING & CO
1701 Tung Wai Commercial Building,
111 Gloucester Road,
HONG KONG



-
- [11] 1913811.6M008
[15] 03-06-2019
[30] 03-12-2018 / EU, CH, GB / DM/200670
[51] Cl. 10-02
[54] 錶
Watch
[73] RICHEMONT INTERNATIONAL SA
Route des Biches 10
CH - 1752 Villars-sur-Glâne
SWITZERLAND
[74] WENPING & CO
1701 Tung Wai Commercial Building,
111 Gloucester Road,
HONG KONG



[11] 1913811.6M009

[15] 03-06-2019

[30] 03-12-2018 / EU, CH, GB / DM/200670

[51] Cl. 10-02

[54] 手錶

Wristwatch

[73] RICHEMONT INTERNATIONAL SA

Route des Biches 10

CH - 1752 Villars-sur-Glâne

SWITZERLAND

[74] WENPING & CO

1701 Tung Wai Commercial Building,

111 Gloucester Road,

HONG KONG



[11] 1913862.3M001

[15] 05-06-2019

[51] Cl. 11-02

[54] 裝飾物

Ornament

[73] 老鋪黃金(香港)有限公司

LAO PU (HONG KONG) COMPANY LIMITED

Room 801-2, 8/F, Easey Commercial Building,

253-261 Hennessy Road, Wanchai,

HONG KONG

[74] SF LAWYERS

UNIT 1125-1127, PRINCE'S BUILDING,

10 CHATER ROAD, CENTRAL,

HONG KONG



[11] 1913862.3M002

[15] 05-06-2019

[51] Cl. 11-02

[54] 裝飾物

Ornament

[73] 老鋪黃金(香港)有限公司

LAO PU (HONG KONG) COMPANY LIMITED

Room 801-2, 8/F, Easey Commercial Building,

253-261 Hennessy Road, Wanchai,

HONG KONG

[74] SF LAWYERS

UNIT 1125-1127, PRINCE'S BUILDING,

10 CHATER ROAD, CENTRAL,

HONG KONG



[11] 1913893.8M001

[15] 05-06-2019

[51] Cl. 11-01

[54] 吊墜

Pendant

[73] 老鋪黃金(香港)有限公司

LAO PU (HONG KONG) COMPANY LIMITED

Room 801-2, 8/F, Easey Commercial Building,

253-261 Hennessy Road, Wanchai,

HONG KONG

[74] SF LAWYERS

UNIT 1125-1127, PRINCE'S BUILDING,

10 CHATER ROAD, CENTRAL,

HONG KONG



[11] 1913893.8M002

[15] 05-06-2019

[51] Cl. 11-01

[54] 吊墜

Pendant

[73] 老鋪黃金(香港)有限公司

LAO PU (HONG KONG) COMPANY LIMITED

Room 801-2, 8/F, Easey Commercial Building,

253-261 Hennessy Road, Wanchai,

HONG KONG

[74] SF LAWYERS

UNIT 1125-1127, PRINCE'S BUILDING,

10 CHATER ROAD, CENTRAL,

HONG KONG



[11] 1913893.8M003

[15] 05-06-2019

[51] Cl. 11-01

[54] 吊墜

Pendant

[73] 老鋪黃金(香港)有限公司

LAO PU (HONG KONG) COMPANY LIMITED

Room 801-2, 8/F, Easey Commercial Building,

253-261 Hennessy Road, Wanchai,

HONG KONG

[74] SF LAWYERS

UNIT 1125-1127, PRINCE'S BUILDING,

10 CHATER ROAD, CENTRAL,

HONG KONG



[11] 1913893.8M004

[15] 05-06-2019

[51] Cl. 11-01

[54] 吊墜

Pendant

[73] 老鋪黃金(香港)有限公司

LAO PU (HONG KONG) COMPANY LIMITED

Room 801-2, 8/F, Easey Commercial Building,

253-261 Hennessy Road, Wanchai,

HONG KONG

[74] SF LAWYERS

UNIT 1125-1127, PRINCE'S BUILDING,

10 CHATER ROAD, CENTRAL,

HONG KONG



[11] 1913893.8M005

[15] 05-06-2019

[51] Cl. 11-01

[54] 吊墜

Pendant

[73] 老鋪黃金(香港)有限公司

LAO PU (HONG KONG) COMPANY LIMITED

Room 801-2, 8/F, Easey Commercial Building,
253-261 Hennessy Road, Wanchai,
HONG KONG

[74] SF LAWYERS
UNIT 1125-1127, PRINCE'S BUILDING,
10 CHATER ROAD, CENTRAL,
HONG KONG



[11] 1913893.8M006

[15] 05-06-2019

[51] Cl. 11-01

[54] 吊墜

Pendant

[73] 老鋪黃金(香港)有限公司

LAO PU (HONG KONG) COMPANY LIMITED

Room 801-2, 8/F, Easey Commercial Building,

253-261 Hennessy Road, Wanchai,

HONG KONG

[74] SF LAWYERS

UNIT 1125-1127, PRINCE'S BUILDING,

10 CHATER ROAD, CENTRAL,

HONG KONG



[11] 1913893.8M007

[15] 05-06-2019

[51] Cl. 11-01

[54] 吊墜

Pendant

[73] 老鋪黃金(香港)有限公司

LAO PU (HONG KONG) COMPANY LIMITED

Room 801-2, 8/F, Easey Commercial Building,

253-261 Hennessy Road, Wanchai,

HONG KONG

[74] SF LAWYERS

UNIT 1125-1127, PRINCE'S BUILDING,

10 CHATER ROAD, CENTRAL,

HONG KONG



[11] 1913893.8M008

[15] 05-06-2019

[51] Cl. 11-01

[54] 吊墜

Pendant

[73] 老鋪黃金(香港)有限公司

LAO PU (HONG KONG) COMPANY LIMITED

Room 801-2, 8/F, Easey Commercial Building,

253-261 Hennessy Road, Wanchai,

HONG KONG

[74] SF LAWYERS

UNIT 1125-1127, PRINCE'S BUILDING,

10 CHATER ROAD, CENTRAL,

HONG KONG



[11] 1913893.8M009

[15] 05-06-2019

[51] Cl. 11-01

[54] 吊墜

Pendant

[73] 老鋪黃金(香港)有限公司

LAO PU (HONG KONG) COMPANY LIMITED

Room 801-2, 8/F, Easey Commercial Building,

253-261 Hennessy Road, Wanchai,

HONG KONG

[74] SF LAWYERS

UNIT 1125-1127, PRINCE'S BUILDING,

10 CHATER ROAD, CENTRAL,

HONG KONG



[11] 1913893.8M010

[15] 05-06-2019

[51] Cl. 11-01

[54] 吊墜

Pendant

[73] 老鋪黃金(香港)有限公司

LAO PU (HONG KONG) COMPANY LIMITED

Room 801-2, 8/F, Easey Commercial Building,

253-261 Hennessy Road, Wanchai,

HONG KONG

[74] SF LAWYERS

UNIT 1125-1127, PRINCE'S BUILDING,

10 CHATER ROAD, CENTRAL,

HONG KONG



[11] 1913893.8M011

[15] 05-06-2019

[51] Cl. 11-01

[54] 吊墜

Pendant

[73] 老鋪黃金(香港)有限公司

LAO PU (HONG KONG) COMPANY LIMITED

Room 801-2, 8/F, Easey Commercial Building,

253-261 Hennessy Road, Wanchai,

HONG KONG

[74] SF LAWYERS

UNIT 1125-1127, PRINCE'S BUILDING,

10 CHATER ROAD, CENTRAL,

HONG KONG



[11] 1913893.8M012

[15] 05-06-2019

[51] Cl. 11-01

[54] 吊墜

Pendant

[73] 老鋪黃金(香港)有限公司

LAO PU (HONG KONG) COMPANY LIMITED

Room 801-2, 8/F, Easey Commercial Building,

253-261 Hennessy Road, Wanchai,

HONG KONG

[74] SF LAWYERS

UNIT 1125-1127, PRINCE'S BUILDING,

10 CHATER ROAD, CENTRAL,

HONG KONG



[11] 1913908.2M001

[15] 06-06-2019

[51] Cl. 11-01

[54] 飾物設計

Ornament design

[73] 金至尊國際有限公司

3D-GOLD INTERNATIONAL COMPANY LIMITED
UNITS 01-09, 17TH FLOOR, PENINSULA SQUARE,
NO.18 SUNG ON STREET, HUNGHOM, KOWLOON, HONG KONG

[74] 3D-GOLD INTERNATIONAL COMPANY LIMITED (ATTN TO IRENE CHEUNG)

UNITS 01-09, 17TH FLOOR,
PENINSULA SQUARE,
NO. 18 SUNG ON STREET, HUNGHOM, KOWLOON, HONG KONG



[11] 1913908.2M002

[15] 06-06-2019

[51] Cl. 11-01

[54] 飾物設計

Ornament design

[73] 金至尊國際有限公司

3D-GOLD INTERNATIONAL COMPANY LIMITED
UNITS 01-09, 17TH FLOOR, PENINSULA SQUARE,
NO.18 SUNG ON STREET, HUNGHOM, KOWLOON, HONG KONG

[74] 3D-GOLD INTERNATIONAL COMPANY LIMITED (ATTN TO IRENE CHEUNG)

UNITS 01-09, 17TH FLOOR,
PENINSULA SQUARE,
NO. 18 SUNG ON STREET, HUNGHOM, KOWLOON, HONG KONG



[11] 1913908.2M003

[15] 06-06-2019

[51] Cl. 11-01

[54] 飾物設計

Ornament design

[73] 金至尊國際有限公司

3D-GOLD INTERNATIONAL COMPANY LIMITED
UNITS 01-09, 17TH FLOOR, PENINSULA SQUARE,
NO.18 SUNG ON STREET, HUNGHOM, KOWLOON, HONG KONG

[74] 3D-GOLD INTERNATIONAL COMPANY LIMITED (ATTN TO IRENE CHEUNG)

UNITS 01-09, 17TH FLOOR,
PENINSULA SQUARE,
NO. 18 SUNG ON STREET, HUNGHOM, KOWLOON, HONG KONG



[11] 1913908.2M004

[15] 06-06-2019

[51] Cl. 11-01

[54] 飾物設計

Ornament design

[73] 金至尊國際有限公司

3D-GOLD INTERNATIONAL COMPANY LIMITED

UNITS 01-09, 17TH FLOOR, PENINSULA SQUARE,

NO.18 SUNG ON STREET, HUNGHOM, KOWLOON, HONG KONG

[74] 3D-GOLD INTERNATIONAL COMPANY LIMITED (ATTN TO IRENE CHEUNG)

UNITS 01-09, 17TH FLOOR,

PENINSULA SQUARE,

NO. 18 SUNG ON STREET, HUNGHOM, KOWLOON, HONG KONG



[11] 1913908.2M005

[15] 06-06-2019

[51] Cl. 11-01

[54] 飾物設計

Ornament design

[73] 金至尊國際有限公司

3D-GOLD INTERNATIONAL COMPANY LIMITED

UNITS 01-09, 17TH FLOOR, PENINSULA SQUARE,

NO.18 SUNG ON STREET, HUNGHOM, KOWLOON, HONG KONG

[74] 3D-GOLD INTERNATIONAL COMPANY LIMITED (ATTN TO IRENE CHEUNG)

UNITS 01-09, 17TH FLOOR,

PENINSULA SQUARE,

NO. 18 SUNG ON STREET, HUNGHOM, KOWLOON, HONG KONG



[11] 1913908.2M006

[15] 06-06-2019

[51] Cl. 11-01

[54] 飾物設計

Ornament design

[73] 金至尊國際有限公司

3D-GOLD INTERNATIONAL COMPANY LIMITED
UNITS 01-09, 17TH FLOOR, PENINSULA SQUARE,
NO.18 SUNG ON STREET, HUNGHOM, KOWLOON, HONG KONG

[74] 3D-GOLD INTERNATIONAL COMPANY LIMITED (ATTN TO IRENE CHEUNG)

UNITS 01-09, 17TH FLOOR,
PENINSULA SQUARE,
NO. 18 SUNG ON STREET, HUNGHOM, KOWLOON, HONG KONG



[11] 1913908.2M007

[15] 06-06-2019

[51] Cl. 11-01

[54] 飾物設計

Ornament design

[73] 金至尊國際有限公司

3D-GOLD INTERNATIONAL COMPANY LIMITED

UNITS 01-09, 17TH FLOOR, PENINSULA SQUARE,

NO.18 SUNG ON STREET, HUNGHOM, KOWLOON, HONG KONG

[74] 3D-GOLD INTERNATIONAL COMPANY LIMITED (ATTN TO IRENE CHEUNG)

UNITS 01-09, 17TH FLOOR,

PENINSULA SQUARE,

NO. 18 SUNG ON STREET, HUNGHOM, KOWLOON, HONG KONG



[11] 1913908.2M008

[15] 06-06-2019

[51] Cl. 11-01

[54] 飾物設計

Ornament design

[73] 金至尊國際有限公司

3D-GOLD INTERNATIONAL COMPANY LIMITED

UNITS 01-09, 17TH FLOOR, PENINSULA SQUARE,

NO.18 SUNG ON STREET, HUNGHOM, KOWLOON, HONG KONG

[74] 3D-GOLD INTERNATIONAL COMPANY LIMITED (ATTN TO IRENE CHEUNG)

UNITS 01-09, 17TH FLOOR,

PENINSULA SQUARE,

NO. 18 SUNG ON STREET, HUNGHOM, KOWLOON, HONG KONG



[11] 1913908.2M009

[15] 06-06-2019

[51] Cl. 11-01

[54] 飾物設計

Ornament design

[73] 金至尊國際有限公司

3D-GOLD INTERNATIONAL COMPANY LIMITED
UNITS 01-09, 17TH FLOOR, PENINSULA SQUARE,
NO.18 SUNG ON STREET, HUNGHOM, KOWLOON, HONG KONG

[74] 3D-GOLD INTERNATIONAL COMPANY LIMITED (ATTN TO IRENE CHEUNG)

UNITS 01-09, 17TH FLOOR,
PENINSULA SQUARE,
NO. 18 SUNG ON STREET, HUNGHOM, KOWLOON, HONG KONG



[11] 1913908.2M010

[15] 06-06-2019

[51] Cl. 11-01

[54] 飾物設計

Ornament design

[73] 金至尊國際有限公司

3D-GOLD INTERNATIONAL COMPANY LIMITED

UNITS 01-09, 17TH FLOOR, PENINSULA SQUARE,

NO.18 SUNG ON STREET, HUNGHOM, KOWLOON, HONG KONG

[74] 3D-GOLD INTERNATIONAL COMPANY LIMITED (ATTN TO IRENE CHEUNG)

UNITS 01-09, 17TH FLOOR,

PENINSULA SQUARE,

NO. 18 SUNG ON STREET, HUNGHOM, KOWLOON, HONG KONG



[11] 1913908.2M011

[15] 06-06-2019

[51] Cl. 11-01

[54] 飾物設計

Ornament design

[73] 金至尊國際有限公司

3D-GOLD INTERNATIONAL COMPANY LIMITED

UNITS 01-09, 17TH FLOOR, PENINSULA SQUARE,

NO.18 SUNG ON STREET, HUNGHOM, KOWLOON, HONG KONG

[74] 3D-GOLD INTERNATIONAL COMPANY LIMITED (ATTN TO IRENE CHEUNG)

UNITS 01-09, 17TH FLOOR,

PENINSULA SQUARE,

NO. 18 SUNG ON STREET, HUNGHOM, KOWLOON, HONG KONG



[11] 1913908.2M012

[15] 06-06-2019

[51] Cl. 11-01

[54] 飾物設計

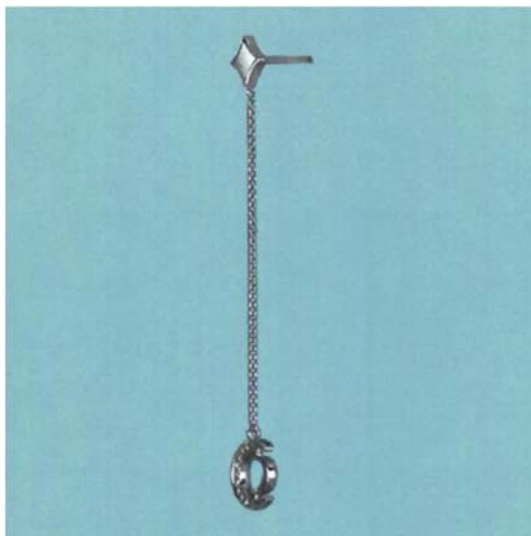
Ornament design

[73] 金至尊國際有限公司

3D-GOLD INTERNATIONAL COMPANY LIMITED
UNITS 01-09, 17TH FLOOR, PENINSULA SQUARE,
NO.18 SUNG ON STREET, HUNGHOM, KOWLOON, HONG KONG

[74] 3D-GOLD INTERNATIONAL COMPANY LIMITED (ATTN TO IRENE CHEUNG)

UNITS 01-09, 17TH FLOOR,
PENINSULA SQUARE,
NO. 18 SUNG ON STREET, HUNGHOM, KOWLOON, HONG KONG



[11] 1913908.2M013

[15] 06-06-2019

[51] Cl. 11-01

[54] 飾物設計

Ornament design

[73] 金至尊國際有限公司

3D-GOLD INTERNATIONAL COMPANY LIMITED

UNITS 01-09, 17TH FLOOR, PENINSULA SQUARE,

NO.18 SUNG ON STREET, HUNGHOM, KOWLOON, HONG KONG

[74] 3D-GOLD INTERNATIONAL COMPANY LIMITED (ATTN TO IRENE CHEUNG)

UNITS 01-09, 17TH FLOOR,

PENINSULA SQUARE,

NO. 18 SUNG ON STREET, HUNGHOM, KOWLOON, HONG KONG



[11] 1913908.2M014

[15] 06-06-2019

[51] Cl. 11-01

[54] 飾物設計

Ornament design

[73] 金至尊國際有限公司

3D-GOLD INTERNATIONAL COMPANY LIMITED

UNITS 01-09, 17TH FLOOR, PENINSULA SQUARE,

NO.18 SUNG ON STREET, HUNGHOM, KOWLOON, HONG KONG

[74] 3D-GOLD INTERNATIONAL COMPANY LIMITED (ATTN TO IRENE CHEUNG)

UNITS 01-09, 17TH FLOOR,

PENINSULA SQUARE,

NO. 18 SUNG ON STREET, HUNGHOM, KOWLOON, HONG KONG



[11] 1913908.2M015

[15] 06-06-2019

[51] Cl. 11-01

[54] 飾物設計

Ornament design

[73] 金至尊國際有限公司

3D-GOLD INTERNATIONAL COMPANY LIMITED

UNITS 01-09, 17TH FLOOR, PENINSULA SQUARE,

NO.18 SUNG ON STREET, HUNGHOM, KOWLOON, HONG KONG

[74] 3D-GOLD INTERNATIONAL COMPANY LIMITED (ATTN TO IRENE CHEUNG)

UNITS 01-09, 17TH FLOOR,

PENINSULA SQUARE,

NO. 18 SUNG ON STREET, HUNGHOM, KOWLOON, HONG KONG



- [11] 1913923.3M001
[15] 10-06-2019
[30] 11-12-2018 / CH / 144361
[51] Cl. 10-02
[54] 手錶
Watch
[73] Sowind SA
Place Girardet 1,
2301 La Chaux-de-Fonds,
SWITZERLAND
[74] ATL LAW OFFICES
16/F., China Hong Kong Tower,
8-12 Hennessy Road, Wanchai,
HONG KONG



-
- [11] 1913923.3M002
[15] 10-06-2019
[30] 11-12-2018 / CH / 144361
[51] Cl. 10-02
[54] 手錶
Watch
[73] Sowind SA
Place Girardet 1,
2301 La Chaux-de-Fonds,
SWITZERLAND
[74] ATL LAW OFFICES
16/F., China Hong Kong Tower,
8-12 Hennessy Road, Wanchai,
HONG KONG



[11] 1913923.3M003

[15] 10-06-2019

[30] 11-12-2018 / CH / 144361

[51] Cl. 10-07

[54] 擺錘

Oscillating weight

[73] Sowind SA

Place Girardet 1,

2301 La Chaux-de-Fonds,

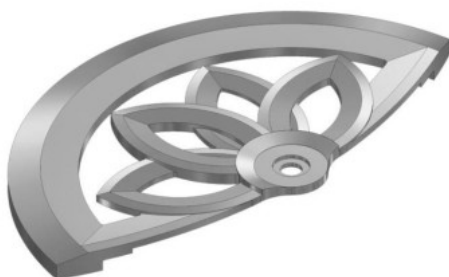
SWITZERLAND

[74] ATL LAW OFFICES

16/F., China Hong Kong Tower,

8-12 Hennessy Road, Wanchai,

HONG KONG



[11] 1913924.5M001

[15] 10-06-2019

[30] 10-12-2018 / CN / 201830714566.X

[51] Cl. 13-03

[54] 開關

Switch

[73] SCHNEIDER ELECTRIC (AUSTRALIA) PTY LTD

78 WATERLOO ROAD,

MACQUARIE PARK, NSW 2113

AUSTRALIA

[74] WENPING & CO
1701 Tung Wai Commercial Building,
111 Gloucester Road,
HONG KONG



[11] 1913924.5M002

[15] 10-06-2019

[30] 10-12-2018 / CN / 201830714566.X

[51] Cl. 13-03

[54] 開關

Switch

[73] SCHNEIDER ELECTRIC (AUSTRALIA) PTY LTD
78 WATERLOO ROAD,
MACQUARIE PARK, NSW 2113
AUSTRALIA

[74] WENPING & CO
1701 Tung Wai Commercial Building,
111 Gloucester Road,
HONG KONG



[11] 1913924.5M003

[15] 10-06-2019

[30] 10-12-2018 / CN / 201830714566.X

[51] Cl. 13-03

[54] 開關

Switch

[73] SCHNEIDER ELECTRIC (AUSTRALIA) PTY LTD

78 WATERLOO ROAD,

MACQUARIE PARK, NSW 2113

AUSTRALIA

[74] WENPING & CO

1701 Tung Wai Commercial Building,

111 Gloucester Road,

HONG KONG



[11] 1913924.5M004

- [15] 10-06-2019
[30] 10-12-2018 / CN / 201830714566.X
[51] Cl. 13-03
[54] 開關
Switch
[73] SCHNEIDER ELECTRIC (AUSTRALIA) PTY LTD
78 WATERLOO ROAD,
MACQUARIE PARK, NSW 2113
AUSTRALIA
[74] WENPING & CO
1701 Tung Wai Commercial Building,
111 Gloucester Road,
HONG KONG



-
- [11] 1913930.8
[15] 11-06-2019
[51] Cl. 11-01
[54] 吊墜
Pendant
[73] 老鋪黃金(香港)有限公司
LAO PU (HONG KONG) COMPANY LIMITED
Room 801-2, 8/F, Easey Commercial Building,
253-261 Hennessy Road, Wanchai,
HONG KONG
[74] SF LAWYERS
UNIT 1125-1127, PRINCE'S BUILDING,
10 CHATER ROAD, CENTRAL,
HONG KONG



[11] 1913931.0

[15] 11-06-2019

[51] Cl. 11-01

[54] 吊墜

Pendant

[73] 老鋪黃金(香港)有限公司

LAO PU (HONG KONG) COMPANY LIMITED

Room 801-2, 8/F, Easey Commercial Building,

253-261 Hennessy Road, Wanchai,

HONG KONG

[74] SF LAWYERS

UNIT 1125-1127, PRINCE'S BUILDING,

10 CHATER ROAD, CENTRAL,

HONG KONG



[11] 1913932.2

[15] 11-06-2019

[51] Cl. 11-01

[54] 吊墜

Pendant

[73] 老鋪黃金(香港)有限公司

LAO PU (HONG KONG) COMPANY LIMITED

Room 801-2, 8/F, Easey Commercial Building,

253-261 Hennessy Road, Wanchai,

HONG KONG

[74] SF LAWYERS

UNIT 1125-1127, PRINCE'S BUILDING,

10 CHATER ROAD, CENTRAL,

HONG KONG



[11] 1913933.4

[15] 11-06-2019

[51] Cl. 11-01

[54] 吊墜

Pendant

[73] 老鋪黃金(香港)有限公司

LAO PU (HONG KONG) COMPANY LIMITED

Room 801-2, 8/F, Easey Commercial Building,

253-261 Hennessy Road, Wanchai,

HONG KONG

[74] SF LAWYERS

UNIT 1125-1127, PRINCE'S BUILDING,

10 CHATER ROAD, CENTRAL,

HONG KONG



[11] 1913934.6

[15] 11-06-2019

[51] Cl. 11-01

[54] 吊墜

Pendant

[73] 老鋪黃金(香港)有限公司

LAO PU (HONG KONG) COMPANY LIMITED

Room 801-2, 8/F, Easey Commercial Building,

253-261 Hennessy Road, Wanchai,

HONG KONG

[74] SF LAWYERS

UNIT 1125-1127, PRINCE'S BUILDING,

10 CHATER ROAD, CENTRAL,

HONG KONG



[11] 1913935.9

[15] 11-06-2019

[51] Cl. 11-01

[54] 吊墜

Pendant

[73] 老鋪黃金(香港)有限公司

LAO PU (HONG KONG) COMPANY LIMITED

Room 801-2, 8/F, Easey Commercial Building,

253-261 Hennessy Road, Wanchai,

HONG KONG

[74] SF LAWYERS

UNIT 1125-1127, PRINCE'S BUILDING,

10 CHATER ROAD, CENTRAL,

HONG KONG



[11] 1913936.1

[15] 11-06-2019

[51] Cl. 11-01

[54] 吊墜

Pendant

[73] 老鋪黃金(香港)有限公司

LAO PU (HONG KONG) COMPANY LIMITED

Room 801-2, 8/F, Easey Commercial Building,

253-261 Hennessy Road, Wanchai,

HONG KONG

[74] SF LAWYERS

UNIT 1125-1127, PRINCE'S BUILDING,

10 CHATER ROAD, CENTRAL,

HONG KONG



[11] 1913937.3M001

[15] 11-06-2019

[51] Cl. 11-01

[54] 吊墜

Pendant

[73] 老鋪黃金(香港)有限公司

LAO PU (HONG KONG) COMPANY LIMITED

Room 801-2, 8/F, Easey Commercial Building,

253-261 Hennessy Road, Wanchai,

HONG KONG

[74] SF LAWYERS

UNIT 1125-1127, PRINCE'S BUILDING,

10 CHATER ROAD, CENTRAL,

HONG KONG



[11] 1913937.3M002

[15] 11-06-2019

[51] Cl. 11-01

[54] 吊墜

Pendant

[73] 老鋪黃金(香港)有限公司
LAO PU (HONG KONG) COMPANY LIMITED
Room 801-2, 8/F, Easey Commercial Building,
253-261 Hennessy Road, Wanchai,
HONG KONG

[74] SF LAWYERS
UNIT 1125-1127, PRINCE'S BUILDING,
10 CHATER ROAD, CENTRAL,
HONG KONG



[11] 1913938.5M001

[15] 11-06-2019

[51] Cl. 11-01

[54] 吊墜
Pendant

[73] 老鋪黃金(香港)有限公司
LAO PU (HONG KONG) COMPANY LIMITED
Room 801-2, 8/F, Easey Commercial Building,
253-261 Hennessy Road, Wanchai,
HONG KONG

[74] SF LAWYERS
UNIT 1125-1127, PRINCE'S BUILDING,
10 CHATER ROAD, CENTRAL,
HONG KONG



[11] 1913938.5M002

[15] 11-06-2019

[51] Cl. 11-01

[54] 吊墜

Pendant

[73] 老鋪黃金(香港)有限公司

LAO PU (HONG KONG) COMPANY LIMITED

Room 801-2, 8/F, Easey Commercial Building,

253-261 Hennessy Road, Wanchai,

HONG KONG

[74] SF LAWYERS

UNIT 1125-1127, PRINCE'S BUILDING,

10 CHATER ROAD, CENTRAL,

HONG KONG



[11] 1913938.5M003

[15] 11-06-2019

[51] Cl. 11-01

[54] 吊墜

Pendant

[73] 老鋪黃金(香港)有限公司

LAO PU (HONG KONG) COMPANY LIMITED

Room 801-2, 8/F, Easey Commercial Building,

253-261 Hennessy Road, Wanchai,

HONG KONG

[74] SF LAWYERS

UNIT 1125-1127, PRINCE'S BUILDING,

10 CHATER ROAD, CENTRAL,

HONG KONG



[11] 1913939.7M001

[15] 11-06-2019

[51] Cl. 11-01

[54] 吊墜

Pendant

[73] 老鋪黃金(香港)有限公司

LAO PU (HONG KONG) COMPANY LIMITED

Room 801-2, 8/F, Easey Commercial Building,

253-261 Hennessy Road, Wanchai,

HONG KONG

[74] SF LAWYERS

UNIT 1125-1127, PRINCE'S BUILDING,

10 CHATER ROAD, CENTRAL,

HONG KONG



[11] 1913939.7M002

[15] 11-06-2019

[51] Cl. 11-01

[54] 吊墜

Pendant

[73] 老鋪黃金(香港)有限公司

LAO PU (HONG KONG) COMPANY LIMITED

Room 801-2, 8/F, Easey Commercial Building,

253-261 Hennessy Road, Wanchai,

HONG KONG

[74] SF LAWYERS

UNIT 1125-1127, PRINCE'S BUILDING,

10 CHATER ROAD, CENTRAL,

HONG KONG



[11] 1913940.9

[15] 11-06-2019

[51] Cl. 11-02

[54] 裝飾物

Ornament

[73] 老鋪黃金(香港)有限公司

LAO PU (HONG KONG) COMPANY LIMITED

Room 801-2, 8/F, Easey Commercial Building,

253-261 Hennessy Road, Wanchai,

HONG KONG

[74] SF LAWYERS

UNIT 1125-1127, PRINCE'S BUILDING,

10 CHATER ROAD, CENTRAL,

HONG KONG



[11] 1913948.6

[15] 12-06-2019

[30] 29-01-2019 / KR / 30-2019-0004322

[51] Cl. 27-07

[54] 電子煙

Electronic cigarette

[73] KT&G Corporation

71, Beotkkot-gil,

Daedeok-gu, Daejeon

KOREA REPUBLIC OF

[74] Luo & Jia Intellectual Property Limited

9B, Cheong Tai Commercial Building,

66 Wing Lok Street, Sheung Wan,

HONG KONG



[11] 1913949.8

[15] 12-06-2019

[30] 24-12-2018 / KR / 30-2018-0061251

[51] Cl. 27-99

[54] 電子煙芯體

Cartridge for electronic cigarette

[73] KT&G Corporation

71, Beotkkot-gil,

Daedeok-gu, Daejeon

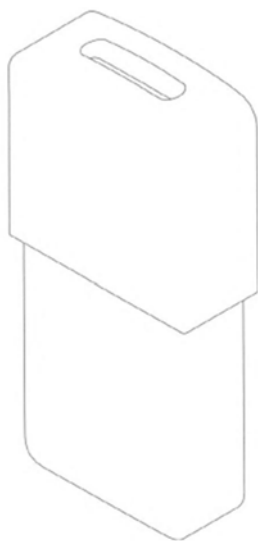
KOREA, REPUBLIC OF

[74] Luo & Jia Intellectual Property Limited

9B, Cheong Tai Commercial Building,

66 Wing Lok Street, Sheung Wan,

HONG KONG



[11] 1913956.3

[15] 12-06-2019

[30] 13-12-2018 / EM / 005888427

[51] Cl. 12-08

[54] 車

Car

[73] FERRARI S.p.A.

VIA EMILIA EST 1163,

I-41100 MODENA,

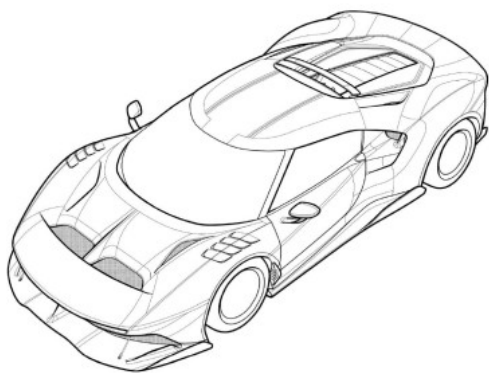
ITALY

[74] CHINA PATENT AGENT (HONG KONG) LIMITED

22/F, Great Eagle Centre, 23 Harbour Road,

Wanchai

HONG KONG



[11] 1913957.5M001

[15] 12-06-2019

[30] 24-01-2019 / JP / 001319 of 2019

[51] Cl. 14-02

[54] 集成電路卡

Integrated circuit card

[73] Toshiba Memory Corporation

1-1, Shibaura 1-chome,

Minato-ku Tokyo,

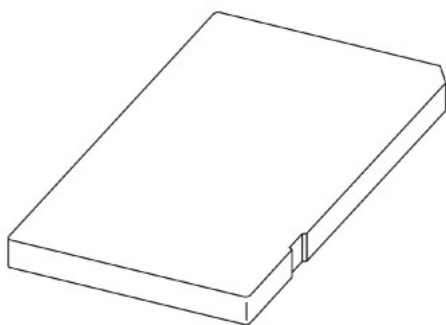
JAPAN

[74] DEACONS

5th Floor, Alexandra House

Central

HONG KONG



[11] 1913957.5M002

[15] 12-06-2019

[30] 12-03-2019 / JP / 005080 of 2019

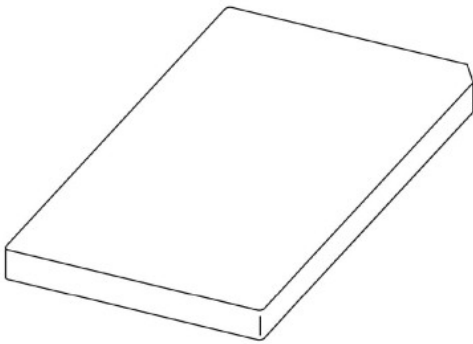
[51] Cl. 14-02

[54] 集成電路卡

Integrated circuit card

[73] Toshiba Memory Corporation
1-1, Shibaura 1-chome,
Minato-ku Tokyo,
JAPAN

[74] DEACONS
5th Floor, Alexandra House
Central
HONG KONG



[11] 1913958.7

[15] 12-06-2019

[30] 17-12-2018 / CN / 201830732600.6

[51] Cl. 14-03

[54] 網關設備

Gateway device

[73] 北京小米移動軟件有限公司

Beijing Xiaomi Mobile Software Co., Ltd.

中國內地 北京市海澱區清河中

街 68 號

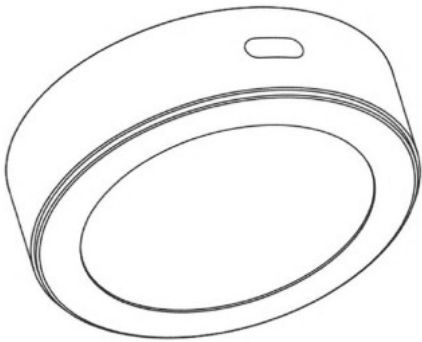
華潤五彩城購物中心二期 9 層 01 房間

[74] 隆天專利商標代理有限公司

香港

九龍青山道 485 號

九龍廣場 10 樓 11 室



[11] 1913961.3

[15] 12-06-2019

[30] 24-12-2018 / KR / KR 30-2018-0061185

[51] Cl. 23-01

[54] 用於熱水和冷水的淨水器

Water purifier for hot and cool water

[73] Cuckoo Homesys Co., Ltd.

349, Emtibeuibuk-ro,

Siheung-si, Gyeonggi-do, 15117

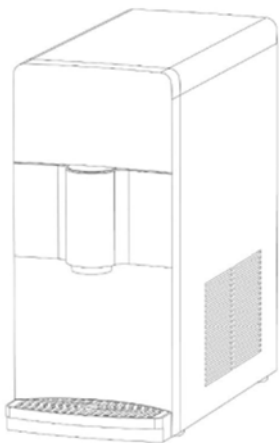
KOREA, REPUBLIC OF

[74] RIBEIRO HUI

6/F, Wilson House,

19-27 Wyndham Street, Central

HONG KONG



[11] 1913964.9

[15] 13-06-2019

[30] 13-12-2018 / EU, MC, MA, SG, CH, TN, UA, GB, TR / DM/200 999

[51] Cl. 11-01

[54] 耳環

Earrings

[73] CHAUMET INTERNATIONAL S.A.

12 PLACE VENDÔME

75001 PARIS

FRANCE

[74] WENPING & CO

1701 Tung Wai Commercial Building,

111 Gloucester Road,

HONG KONG



[11] 1913965.2

[15] 13-06-2019

[30] 13-12-2018 / EU, MC, MA, SG, CH, TN, UA, GB, TR / DM/200 999

[51] Cl. 11-01

[54] 耳環

EARRINGS

[73] CHAUMET INTERNATIONAL S.A.

12 PLACE VENDÔME

75001 PARIS

FRANCE

[74] WENPING & CO

1701 Tung Wai Commercial Building,

111 Gloucester Road,

HONG KONG



[11] 1913968.8

[15] 13-06-2019

[30] 27-12-2018 / CN / 201830761067.6

[51] Cl. 14-01

[54] 頭戴式耳機

Headphone

[73] SONY CORPORATION

1-7-1 KONAN, MINATO-KU,

TOKYO 108-0075,

JAPAN

[74] UNITALEN ATTORNEYS AT LAW LIMITED

RM 1201, 12/F,

GOLDEN ERA PLAZA,

39-55 SAI YEE ST, MONGKOK KLN

HONG KONG



[11] 1913969.0

[15] 13-06-2019

[30] 27-12-2018 / CN / 201830761547.2

[51] Cl. 14-01

[54] 耳機

Earphone

[73] 索尼公司

SONY CORPORATION
1-7-1 KONAN, MINATO-KU
TOKYO 108-0075,
JAPAN

[74] UNITALEN ATTORNEYS AT LAW LIMITED

RM 1201, 12/F,
GOLDEN ERA PLAZA,
39-55 SAI YEE ST, MONGKOK KLN
HONG KONG



[11] 1913971.4

[15] 13-06-2019

[30] 27-12-2018 / CN / 201830761321.2

[51] Cl. 14-01

[54] 耳機

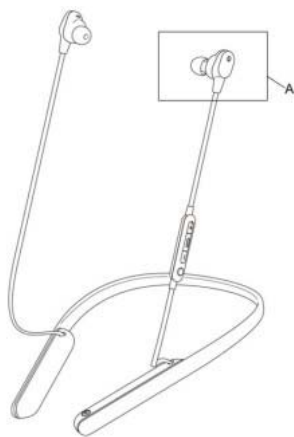
Earphone

[73] 索尼公司

SONY CORPORATION
1-7-1 KONAN, MINATO-KU
TOKYO 108-0075, JAPAN
JAPAN

[74] UNITALEN ATTORNEYS AT LAW LIMITED

RM 1201, 12/F,
GOLDEN ERA PLAZA,
39-55 SAI YEE ST, MONGKOK KLN
HONG KONG



[11] 1913974.0

[15] 13-06-2019

[30] 13-12-2018 / EU, MC, MA, SG, CH, TN, UA, GB, TR / DM/200999

[51] Cl. 11-01

[54] 手鐲

Bracelet

[73] CHAUMET INTERNATIONAL S.A.

12 PLACE VENDÔME

75001 PARIS

FRANCE

[74] WENPING & CO

1701 Tung Wai Commercial Building,

111 Gloucester Road,

HONG KONG



[11] 1913975.3

[15] 13-06-2019

[30] 13-12-2018 / EU, MC, MA, SG, CH, TN, UA, GB, TR / DM/200999

[51] Cl. 11-01

[54] 戒指
Ring

[73] CHAUMET INTERNATIONAL S.A.
12 PLACE VENDÔME
75001 PARIS
FRANCE

[74] WENPING & CO
1701 Tung Wai Commercial Building,
111 Gloucester Road,
HONG KONG



[11] 1913976.5

[15] 13-06-2019

[30] 13-12-2018 / EU, MC, MA, SG, CH, TN, UA, GB, TR / DM/200999

[51] Cl. 11-01

[54] 耳環
Earrings

[73] CHAUMET INTERNATIONAL S.A.
12 PLACE VENDÔME
75001 PARIS
FRANCE

[74] WENPING & CO
1701 Tung Wai Commercial Building,
111 Gloucester Road,
HONG KONG



[11] 1913978.9

[15] 13-06-2019

[51] Cl. 21-01

[54] 棋類遊戲

Board game

[73] Per Artem Lumen Limited

Room 303, 3rd Floor, China Insurance Group Building,
141 Des Voeux Road, Central, Hong Kong

[74] CHAN AND CHENG SOLICITORS & NOTARIES

ROOMS 302-303, 3rd FLOOR, CHINA INSURANCE GROUP BUILDING
141 DES VOEUX ROAD CENTRAL
HONG KONG



[11] 1914001.9M001

[15] 17-06-2019

[51] Cl. 11-01

[54] 飾物設計

Ornament design

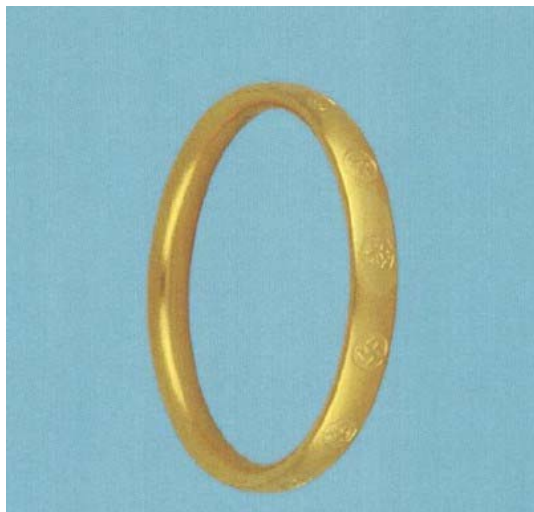
[73] 金至尊國際有限公司

3D-GOLD INTERNATIONAL COMPANY LIMITED

UNITS 01-09, 17TH FLOOR, PENINSULA SQUARE,
NO.18 SUNG ON STREET, HUNGHOM, KOWLOON, HONG KONG

[74] 3D-GOLD INTERNATIONAL COMPANY LIMITED (ATTN TO IRENE CHEUNG)

UNITS 01-09, 17TH FLOOR, PENINSULA SQUARE,
NO.18 SUNG ON STREET, HUNGHOM, KOWLOON, HONG KONG



[11] 1914001.9M002

[15] 17-06-2019

[51] Cl. 11-01

[54] 飾物設計

Ornament design

[73] 金至尊國際有限公司

3D-GOLD INTERNATIONAL COMPANY LIMITED
UNITS 01-09, 17TH FLOOR, PENINSULA SQUARE,
NO.18 SUNG ON STREET, HUNGHOM, KOWLOON, HONG KONG

[74] 3D-GOLD INTERNATIONAL COMPANY LIMITED (ATTN TO IRENE CHEUNG)

UNITS 01-09, 17TH FLOOR, PENINSULA SQUARE,
NO.18 SUNG ON STREET, HUNGHOM, KOWLOON, HONG KONG



[11] 1914001.9M003

[15] 17-06-2019

[51] Cl. 11-01

[54] 飾物設計

Ornament design

[73] 金至尊國際有限公司

3D-GOLD INTERNATIONAL COMPANY LIMITED

UNITS 01-09, 17TH FLOOR, PENINSULA SQUARE,

NO.18 SUNG ON STREET, HUNGHOM, KOWLOON, HONG KONG

[74] 3D-GOLD INTERNATIONAL COMPANY LIMITED (ATTN TO IRENE CHEUNG)

UNITS 01-09, 17TH FLOOR, PENINSULA SQUARE,

NO.18 SUNG ON STREET, HUNGHOM, KOWLOON, HONG KONG



[11] 1914001.9M004

[15] 17-06-2019

[51] Cl. 11-01

[54] 飾物設計

Ornament design

[73] 金至尊國際有限公司

3D-GOLD INTERNATIONAL COMPANY LIMITED

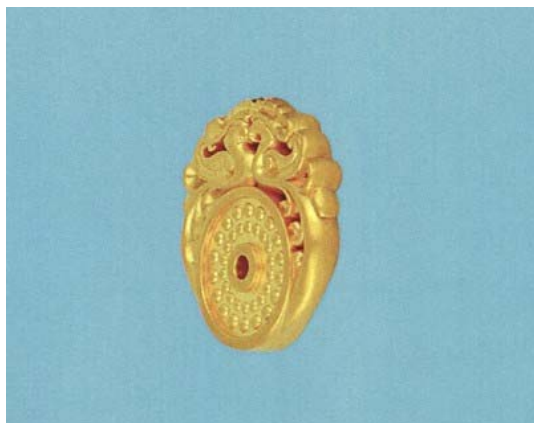
UNITS 01-09, 17TH FLOOR, PENINSULA SQUARE,

NO.18 SUNG ON STREET, HUNGHOM, KOWLOON, HONG KONG

[74] 3D-GOLD INTERNATIONAL COMPANY LIMITED (ATTN TO IRENE CHEUNG)

UNITS 01-09, 17TH FLOOR, PENINSULA SQUARE,

NO.18 SUNG ON STREET, HUNGHOM, KOWLOON, HONG KONG



[11] 1914001.9M005

[15] 17-06-2019

[51] Cl. 11-01

[54] 飾物設計

Ornament design

[73] 金至尊國際有限公司

3D-GOLD INTERNATIONAL COMPANY LIMITED

UNITS 01-09, 17TH FLOOR, PENINSULA SQUARE,

NO.18 SUNG ON STREET, HUNGHOM, KOWLOON, HONG KONG

[74] 3D-GOLD INTERNATIONAL COMPANY LIMITED (ATTN TO IRENE CHEUNG)

UNITS 01-09, 17TH FLOOR, PENINSULA SQUARE,

NO.18 SUNG ON STREET, HUNGHOM, KOWLOON, HONG KONG



[11] 1914001.9M006

[15] 17-06-2019

[51] Cl. 11-01

[54] 飾物設計

Ornament design

[73] 金至尊國際有限公司

3D-GOLD INTERNATIONAL COMPANY LIMITED
UNITS 01-09, 17TH FLOOR, PENINSULA SQUARE,
NO.18 SUNG ON STREET, HUNGHOM, KOWLOON, HONG KONG

[74] 3D-GOLD INTERNATIONAL COMPANY LIMITED (ATTN TO IRENE CHEUNG)

UNITS 01-09, 17TH FLOOR, PENINSULA SQUARE,
NO.18 SUNG ON STREET, HUNGHOM, KOWLOON, HONG KONG



[11] 1914001.9M007

[15] 17-06-2019

[51] Cl. 11-01

[54] 飾物設計

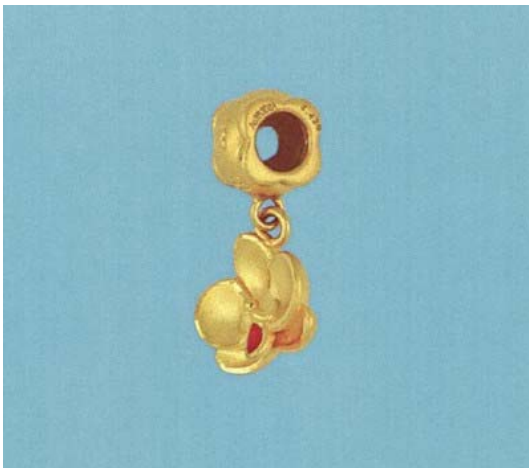
Ornament design

[73] 金至尊國際有限公司

3D-GOLD INTERNATIONAL COMPANY LIMITED
UNITS 01-09, 17TH FLOOR, PENINSULA SQUARE,
NO.18 SUNG ON STREET, HUNGHOM, KOWLOON, HONG KONG

[74] 3D-GOLD INTERNATIONAL COMPANY LIMITED (ATTN TO IRENE CHEUNG)

UNITS 01-09, 17TH FLOOR, PENINSULA SQUARE,
NO.18 SUNG ON STREET, HUNGHOM, KOWLOON, HONG KONG



[11] 1914001.9M008

[15] 17-06-2019

[51] Cl. 11-01

[54] 飾物設計

Ornament design

[73] 金至尊國際有限公司

3D-GOLD INTERNATIONAL COMPANY LIMITED

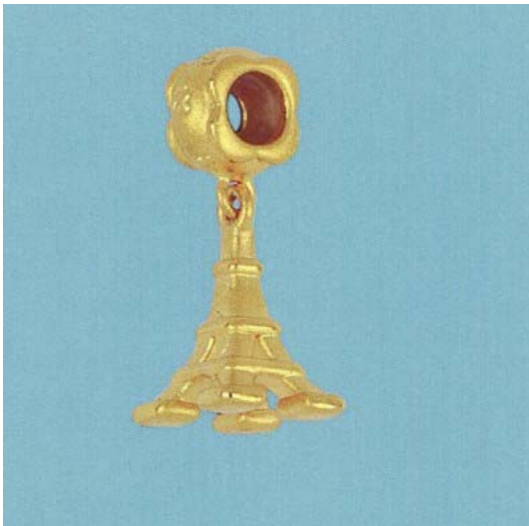
UNITS 01-09, 17TH FLOOR, PENINSULA SQUARE,

NO.18 SUNG ON STREET, HUNGHOM, KOWLOON, HONG KONG

[74] 3D-GOLD INTERNATIONAL COMPANY LIMITED (ATTN TO IRENE CHEUNG)

UNITS 01-09, 17TH FLOOR, PENINSULA SQUARE,

NO.18 SUNG ON STREET, HUNGHOM, KOWLOON, HONG KONG



[11] 1914001.9M009

[15] 17-06-2019

[51] Cl. 11-01

[54] 飾物設計

Ornament design

[73] 金至尊國際有限公司

3D-GOLD INTERNATIONAL COMPANY LIMITED

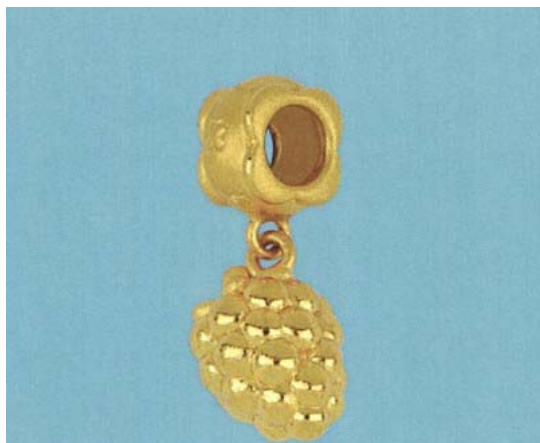
UNITS 01-09, 17TH FLOOR, PENINSULA SQUARE,

NO.18 SUNG ON STREET, HUNGHOM, KOWLOON, HONG KONG

[74] 3D-GOLD INTERNATIONAL COMPANY LIMITED (ATTN TO IRENE CHEUNG)

UNITS 01-09, 17TH FLOOR, PENINSULA SQUARE,

NO.18 SUNG ON STREET, HUNGHOM, KOWLOON, HONG KONG



[11] 1914001.9M010

[15] 17-06-2019

[51] Cl. 11-01

[54] 飾物設計

Ornament design

[73] 金至尊國際有限公司

3D-GOLD INTERNATIONAL COMPANY LIMITED

UNITS 01-09, 17TH FLOOR, PENINSULA SQUARE,

NO.18 SUNG ON STREET, HUNGHOM, KOWLOON, HONG KONG

[74] 3D-GOLD INTERNATIONAL COMPANY LIMITED (ATTN TO IRENE CHEUNG)

UNITS 01-09, 17TH FLOOR, PENINSULA SQUARE,

NO.18 SUNG ON STREET, HUNGHOM, KOWLOON, HONG KONG



[11] 1914001.9M011

[15] 17-06-2019

[51] Cl. 11-01

[54] 飾物設計

Ornament design

[73] 金至尊國際有限公司

3D-GOLD INTERNATIONAL COMPANY LIMITED
UNITS 01-09, 17TH FLOOR, PENINSULA SQUARE,
NO.18 SUNG ON STREET, HUNGHOM, KOWLOON, HONG KONG

[74] 3D-GOLD INTERNATIONAL COMPANY LIMITED (ATTN TO IRENE CHEUNG)

UNITS 01-09, 17TH FLOOR, PENINSULA SQUARE,
NO.18 SUNG ON STREET, HUNGHOM, KOWLOON, HONG KONG



[11] 1914001.9M012

[15] 17-06-2019

[51] Cl. 11-01

[54] 飾物設計

Ornament design

[73] 金至尊國際有限公司

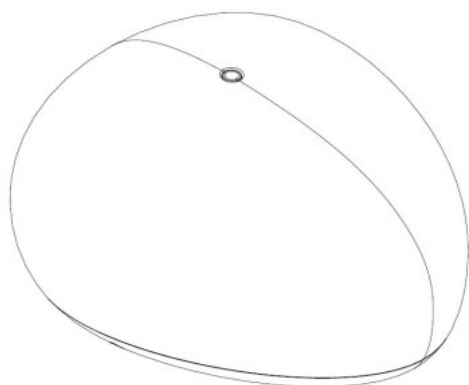
3D-GOLD INTERNATIONAL COMPANY LIMITED
UNITS 01-09, 17TH FLOOR, PENINSULA SQUARE,
NO.18 SUNG ON STREET, HUNGHOM, KOWLOON, HONG KONG

[74] 3D-GOLD INTERNATIONAL COMPANY LIMITED (ATTN TO IRENE CHEUNG)

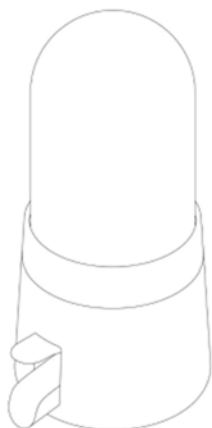
UNITS 01-09, 17TH FLOOR, PENINSULA SQUARE,
NO.18 SUNG ON STREET, HUNGHOM, KOWLOON, HONG KONG



- [11] 1914035.1
[15] 20-06-2019
[51] Cl. 23-04
[54] 香薰機
Aroma diffuser
[73] 璞真生活有限公司
PUZHEN LIFE CO., LTD.
香港
新界沙田安耀街 3 號
匯達大廈 11 樓 1112-1116 室
[74] 中一聯合國際知識產權有限公司
香港
香港九龍尖沙咀漆咸道南 45-51 號
其士大廈 803 室



-
- [11] 1914770.9M001
[15] 04-10-2019
[30] 04-04-2019 / EU / 006369237-0001
[51] Cl. 23-01
[54] 飲水機
Drinking fountain
[73] SOCIETE ANONYME DES EAUX MINERALES D'EVIAN
11 avenue du Général Dupas, F-74500 EVIAN LES BAINS, FRANCE
[74] HASTINGS & CO
5/F Gloucester Tower, The Landmark,
11 Pedder Street, Central,
HONG KONG



[11] 1914770.9M002

[15] 04-10-2019

[30] 04-04-2019 / EU / 006369237-0002

[51] Cl. 23-01

[54] 飲水機

Drinking fountain

[73] SOCIETE ANONYME DES EAUX MINERALES D'EVIAN

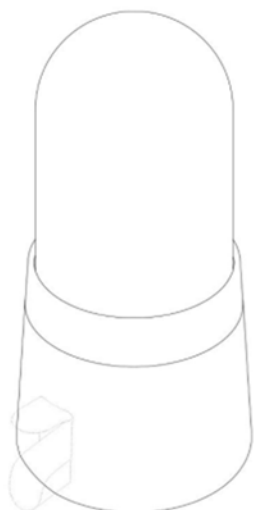
11 avenue du Général Dupas, F-74500 EVIAN LES BAINS, FRANCE

[74] HASTINGS & CO

5/F Gloucester Tower, The Landmark,

11 Pedder Street, Central,

HONG KONG



[11] 1914770.9M003

[15] 04-10-2019

[30] 04-04-2019 / EU / 006369237-0003

[51] Cl. 23-01

[54] 飲水機

Drinking fountain

[73] SOCIETE ANONYME DES EAUX MINERALES D'EVIAN

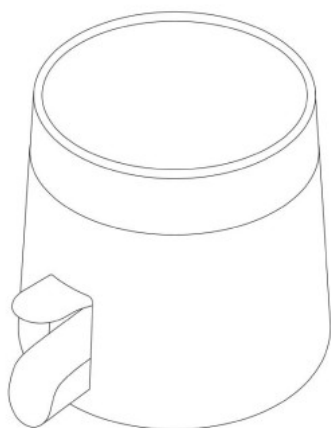
11 avenue du Général Dupas, F-74500 EVIAN LES BAINS, FRANCE

[74] HASTINGS & CO

5/F Gloucester Tower, The Landmark,

11 Pedder Street, Central,

HONG KONG



[11] 1914770.9M004

[15] 04-10-2019

[30] 04-04-2019 / EU / 006369237-0004

[51] Cl. 23-01

[54] 飲水機

Drinking fountain

[73] SOCIETE ANONYME DES EAUX MINERALES D'EVIAN

11 avenue du Général Dupas, F-74500 EVIAN LES BAINS, FRANCE

[74] HASTINGS & CO

5/F Gloucester Tower, The Landmark,

11 Pedder Street, Central,

HONG KONG





香港特別行政區政府知識產權署外觀設計註冊處

The Government of the Hong Kong Special Administrative Region

Designs Registry, Intellectual Property Department

根據註冊外觀設計條例第 28 條，下列註冊外觀設計因未繳續期費而停止有效。各組記項按註冊外觀設計停止有效日期及註冊編號先後次序排列。

Registered designs ceased through non-payment of renewal fees under section 28 of the Registered Designs Ordinance. Entries are listed below under their expiry dates.

31-10-2019 - 06-11-2019

31-10-2019

0412492.9M001

0412492.9M002

0412495.6M003

0412495.6M004

0412495.6M005

0412495.6M006

0412495.6M007

0412495.6M008

0412496.8M001

0412496.8M002

0412496.8M003

0412496.8M004

0412496.8M005

0412496.8M006

0412497.0M002

0412497.0M003

0412497.0M004

0412506.2M002

0412506.2M003

0412506.2M004

0412506.2M005

0412506.2M006

0500171.6M001

0500171.6M002

0500173.0M001

0500173.0M002

03-11-2019

1402053.9

1402054.1M001

1402054.1M002

04-11-2019

0412531.4M003

0412531.4M004

0412531.4M005

0412532.6M002

0901844.9M001

0901844.9M003

1402058.0M001

1402058.0M003

1402059.2

1402061.6

05-11-2019

1402065.5

1402068.1

1402070.5

1402071.7

1402072.9M001

1402072.9M002

06-11-2019

1402075.6

02-11-2019

0412514.8

0412522.5

0901836.3M001

1402050.3

1402052.7



香港特別行政區政府知識產權署外觀設計註冊處

The Government of the Hong Kong Special Administrative Region

Designs Registry, Intellectual Property Department

根據註冊外觀設計規則第 31 條刪除的註冊外觀設計。各組記項按註冊外觀設計 刪除日期及註冊編號先後次序排列。

Registered designs removed under section 31 of the Registered Designs Rules. Entries are listed below under their removal dates.

09-11-2019 - 14-11-2019

09-11-2019	1400846.0
1400821.7M001	1400848.4M001
1400821.7M002	1400848.4M006
1400821.7M003	1400849.6
1400821.7M004	1400850.8
1400821.7M005	9910536.7M002
1400821.7M006	
1400821.7M007	
1400828.2	
1400829.4M001	
1400829.4M002	
1400829.4M003	
1400829.4M004	
1400829.4M005	

11-11-2019

0410935.9
0410936.1

12-11-2019

0410955.1
0900710.5M003
0900710.5M004
0900710.5M005
0900719.4M001
0900719.4M002
0900721.8M002
1400839.5
1400840.7
1400841.9

14-11-2019

0410974.0
1400844.5